



Booklet available in English on
Heft in deutscher Sprache erhältlich auf
Livret disponible en français sur
Libretto disponibile in italiano su
Folleto en español disponible en
如需中文版手册, 请访问



FR

**DONNEZ
OU
RECYCLEZ**



ASSOCIATION
OU



MAGASIN
OU



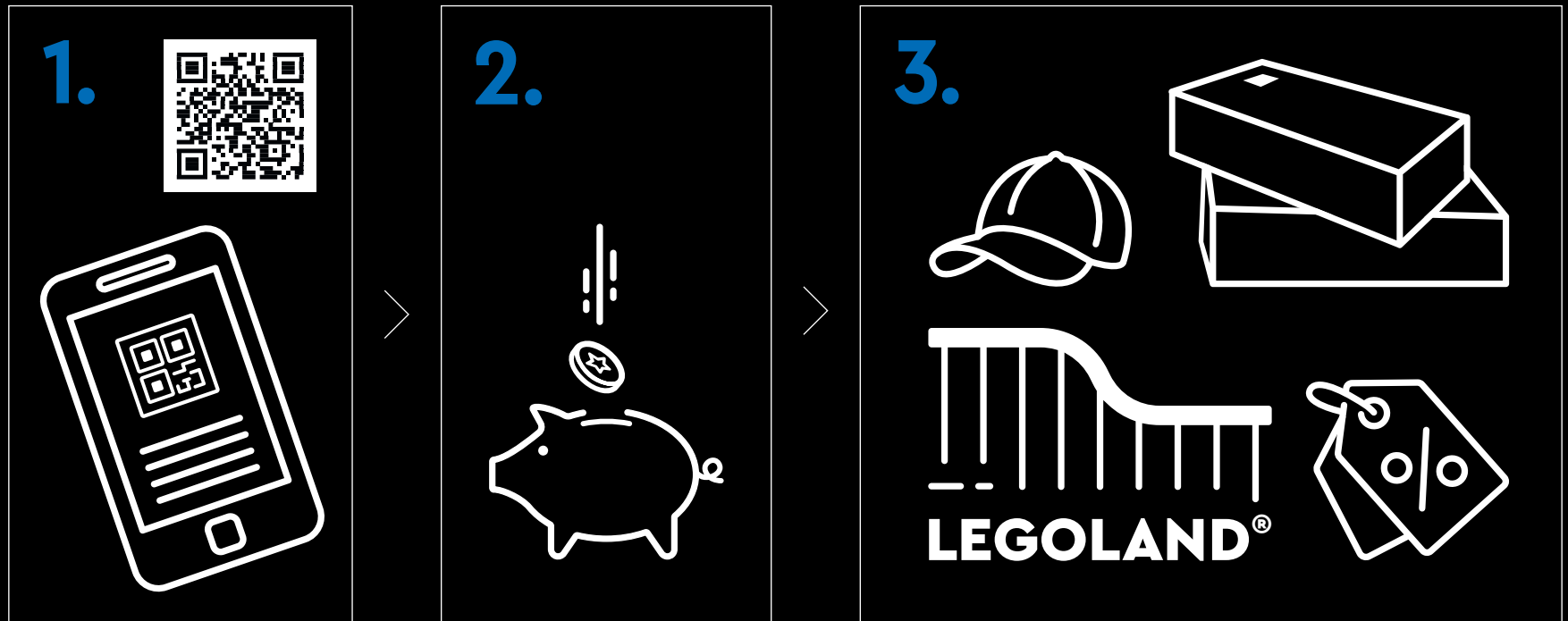
DÉCHÈTERIE

Adresses sur quefairedemesdechets.fr



LEGO.com/sustainable-packaging

LEGO® VIP



1. Sign up **2.** Earn points for purchases **3.** Redeem points for rewards, experiences, discounts & more | **1.** Melde dich an **2.** Sammle Punkte bei jedem Kauf **3.** Löse die Punkte für Belohnungen, Erlebnisse, Rabatte und Ähnliches ein | **1.** Inscrivez-vous **2.** Gagnez des points lors de vos achats **3.** Échangez vos points contre des récompenses, des expériences, des remises et bien plus encore | **1.** Iscriviti **2.** Guadagna punti con i tuoi acquisti **3.** Riscatta punti per premi, esperienze, sconti e altro ancora | **1.** Regístrate **2.** Gana puntos por tus compras **3.** Canjea puntos por recompensas, experiencias, descuentos y mucho más | **1.** Registe-se **2.** Ganhe pontos em compras **3.** Troque os pontos para prémios, experiências, descontos e muito mais | **1.** 注册 **2.** 购物赚积分 **3.** 用积分兑换奖励、体验、折扣等 | **1.** Zarejestruj się **2.** Zdobywaj punkty za zakupy **3.** Wymieniaj punkty na rabaty, przygody i inne nagrody | **1.** Zaregistrujte se **2.** Sbírejte body za nákupy **3.** Vyměňujte body za odměny, zážitky, slevy a spoustu dalšího | **1.** Zaregistrujte se **2.** Získavajte body za nákupy **3.** Uplatnite si body a získajte odmeny, rôzne zážitky, zľavy a ešte viac | **1.** Regisztrálj **2.** Szerez pontokat minden vásárlással **3.** Váltsd be pontjaidat jutalmakra, élményekre, kedvezményekre és egyebekre | **1.** Înscric-te **2.** Câștigă puncte pentru achiziții **3.** Valorifică puncte pentru recompense, experiențe, reduceri și multe altele | **1.** Регистрируйте се **2.** Получайте точки за покупки **3.** Используйте точки за награды, услуги, отстъпки и т.н. | **1.** Reģistrējies **2.** Pelni punktus par pirkumiem **3.** Izmanto punktus, lai saņemtu balvas, izklaides iespējas, atlaides un daudz ko citu | **1.** Registreeru **2.** Teeni ostude eest punkte **3.** Lunasta punktide eest preemiad, elamused, allahindlused ja muu | **1.** Užsiregistruokite **2.** Pelnykite taškus už pirkinius **3.** Panaudokite taškus atlygiui, funkcijoms, nuolaidoms ir ne tik






Making American automotive history

Fun, relaxing weekends and summer vacations. Roof down, a warm breeze, motorway or country road cruising. Originally inspired by European sports cars, and perfected with the pinnacle of American racing car technology and design, the Chevrolet C1 Corvette series made its debut in 1953 and, during its nine-year reign, became a coveted All-American icon – a symbol of *the good life*. As Corvette celebrates its 70th anniversary of luxurious, indulgent and innovative design and performance, the 1961 Roman Red 2-door convertible still stands out in its class. Chic curves, bold colours and smooth interior styling complement a 315-horsepower, fuel-injected General Motors V8 engine. And the icing on the cake: the “ducktail” rear-end with round, built-in taillights that would become a Corvette signature design.

AMERICA'S SPORTS CAR GETS A NEW LOOK!



Take a classic sports car design. Give it tasteful new styling. That's Corvette in 1961. Starting with the sleek rear deck, it's clean, uncluttered. From this point forward, it becomes obvious this new Corvette was designed to be driven. No matter what the occasion—black tie or tennis shoes—Corvette is appropriate. If you're an enthusiastic rallyist, an about-towner, a countryside explorer, or all three, Corvette matches your mood.

© 1960—Chevrolet Motor Division, General Motors Corporation




You only think you're not an enthusiast!

For every Corvette owner who regularly runs to open car rallies, there's one who sees his Corvette exclusively for speed and better transportation. ■ The Corvette brings a kind of pleasure to each man's driving that he couldn't get anywhere else. It can take the sophisticated out of heavy auto traffic, just the way it takes an ordinary country road into something very special. What? Because few cars from this or any other country can come anywhere close to the handling performance, good handling and fuel-injected responsiveness. ■ Don't take our word for this, drive one. Even just for a weekend or driving sports cars to the top in three thousand dollar ranges, you'll be eternally indebted. The Corvette is an outstanding combination of performance and luxury that really holds its own in its class. With exclusive options like Powerglide and electric windows or with Fast Brake and four-speed Turbo-Shift transmission, it's really something for you. The feeling it inspires will make you chuckle with pleasure, just driving the son-of-a-gun around the block.

CORVETTE BY CHEVROLET

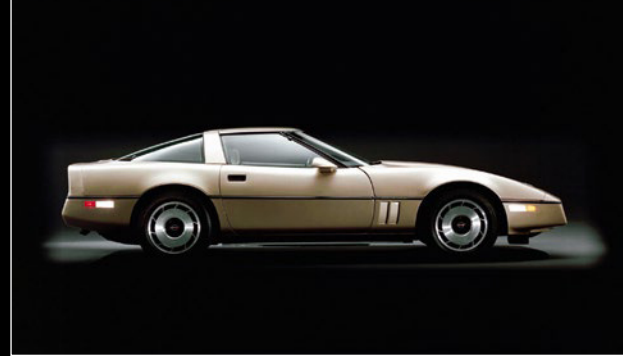
See the new Corvette, Chevrolet cars and Chevy's Corvair at your local authorized Chevrolet dealer's.



What, no sports car cap? You don't need a little cap with a belt in the back, you're a Corvette, you own it. It's pleasure to drive. It's exhilaration for your car. It's the ultimate development of a fine car that has become the most advanced and the most sophisticated of sports car construction, and yet it can be tailored to your personal needs. You can have a hard top or a removable top. Push-button door handles, window down locks and a convertible interior are some of the Corvette accessories you don't get on most other sports cars. You also have a wide choice of power options including the standard 270-horsepower engine (which can be made just one Powerglide® to change the transmission) or the exhilarating Fast Brake™ V8 with four-speed automatic transmission. *Look it over with your dealer. Make sure you've seen the 315-hp V8 and you'll be the proudest addition of your driving pleasure!

Corvette by Chevrolet

See the new Corvette, Chevrolet cars and Chevy's Corvair at your local authorized Chevrolet dealer's.



C1

(1953-1962)

C2

(1963-1967)

C3

(1968-1982)

C4

(1984-1996)



The classic C1 from 1961



C5

1997-2004



C6

2005-2013



C7

2014-2019



C8

2020-

Moving with the times

With each new generation of cars, Chevrolet Corvette has continued to redefine American car design for more than 70 years. Add to that multiple exclusive concept models, special editions and custom racing cars, and the legend continues. Always while staying true to the integrity of its original, strong qualities as a timeless classic and roadworthy sports car. From the early 1950s prototypes to modern engineering excellence and innovation in the C8 generation, the production series Corvette family album evokes nostalgic memories, sparks our imagination and stirs anticipation for what comes next.

From the design team

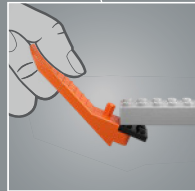
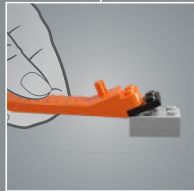
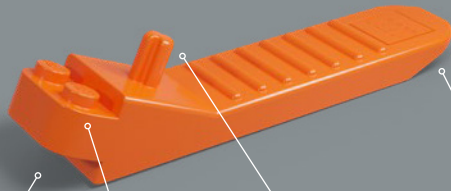
'Capturing the iconic lines and curves that Corvette enthusiasts love about this car was our focus for this model, which is why you will find original design details faithfully represented in every nook and cranny. If you're an experienced builder of classic and vintage cars within LEGO® Icons, you may notice that this 1961 C1 Corvette model boasts a uniquely built frame. To replicate the sleekness of the original car, we incorporated the steering links underneath the frame, allowing us to recreate the car's sleek silhouette. Just follow the road map ahead and discover the techniques and elements of the design as you build.'

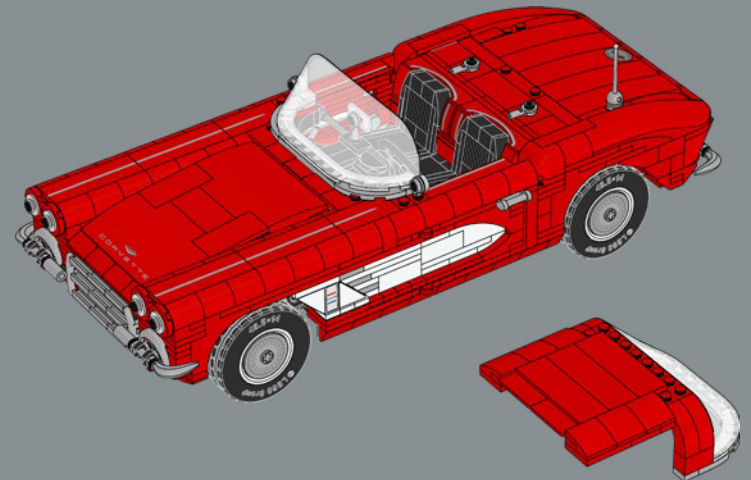
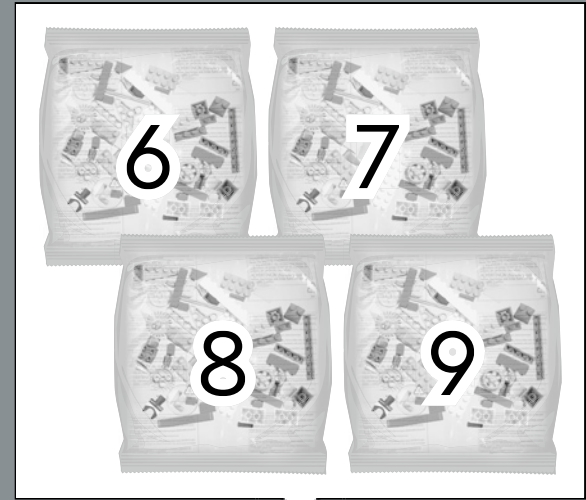
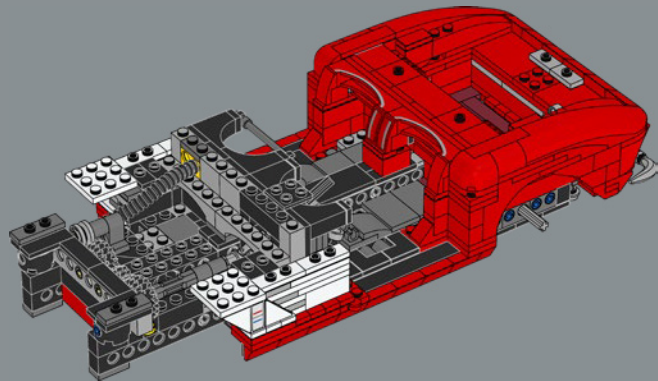
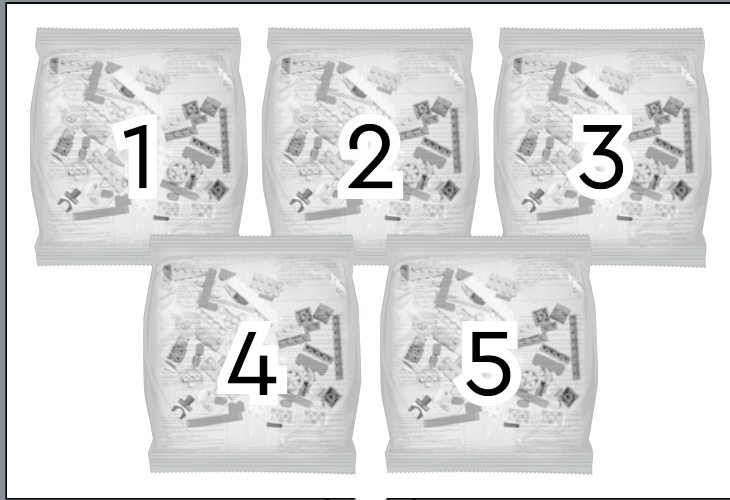
Enjoy the ride!

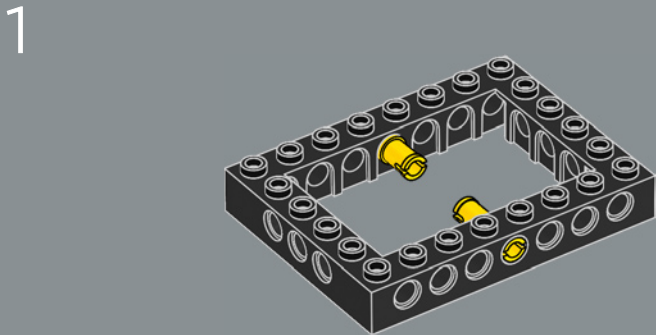
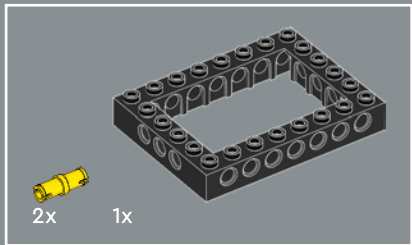
ROK ŽGALIN KOBE
LEGO® Icons Model Designer



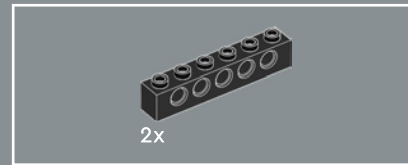
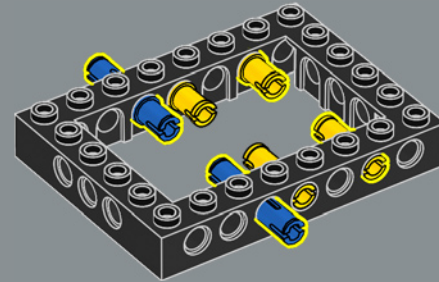




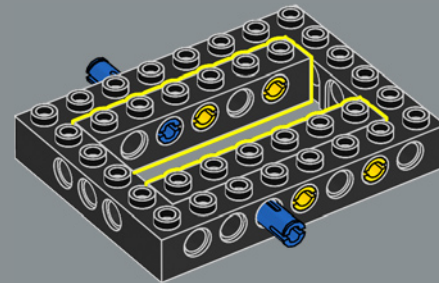


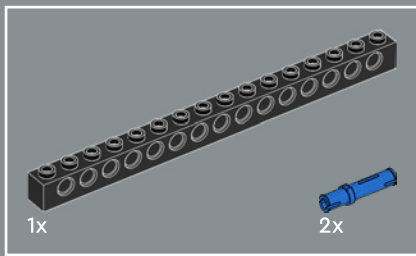


2

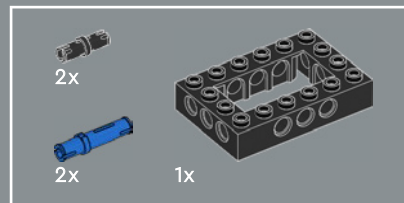
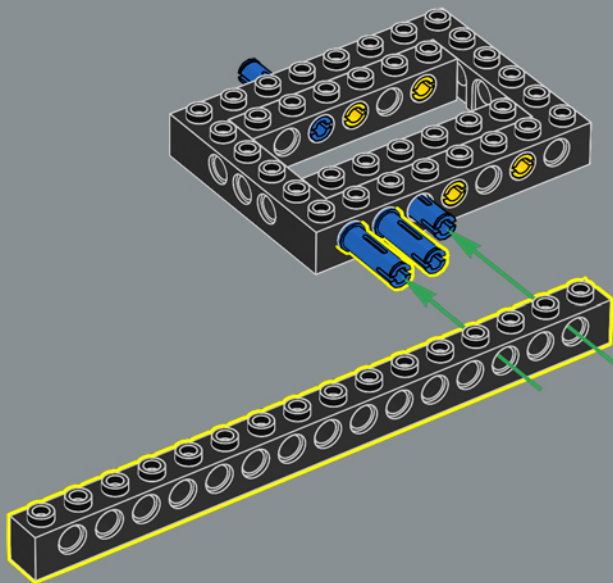


3

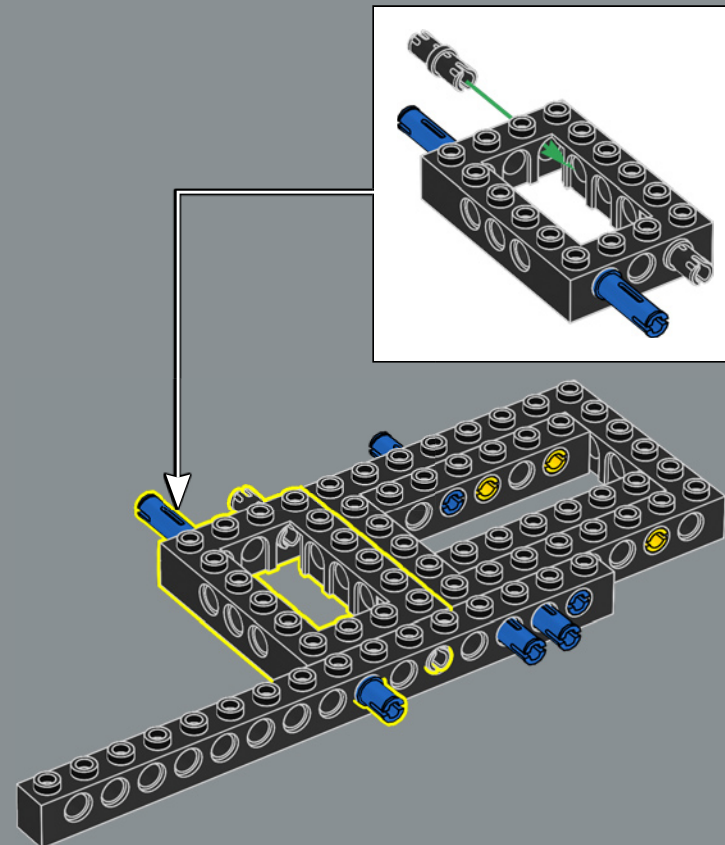


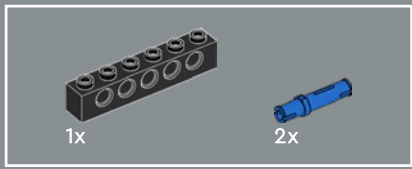


4

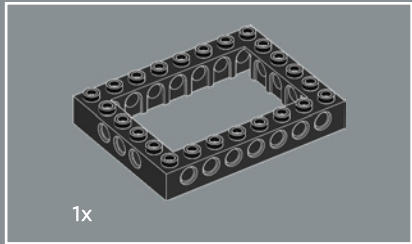
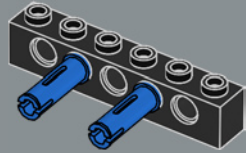


5

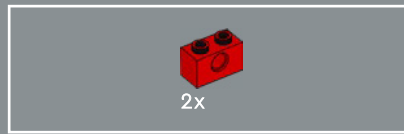
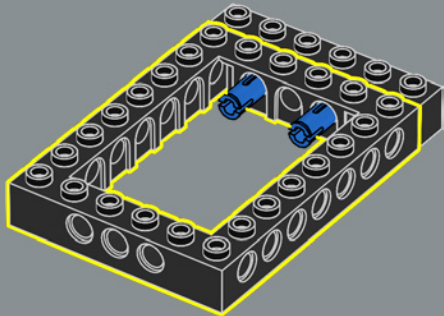




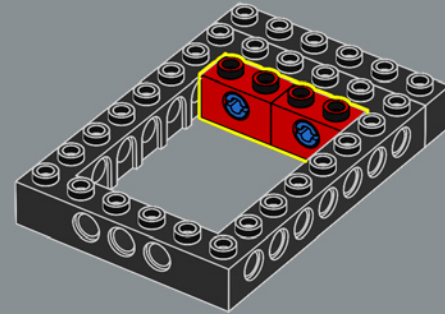
6

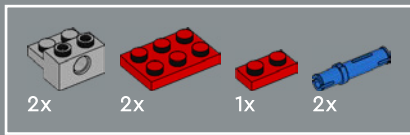


7

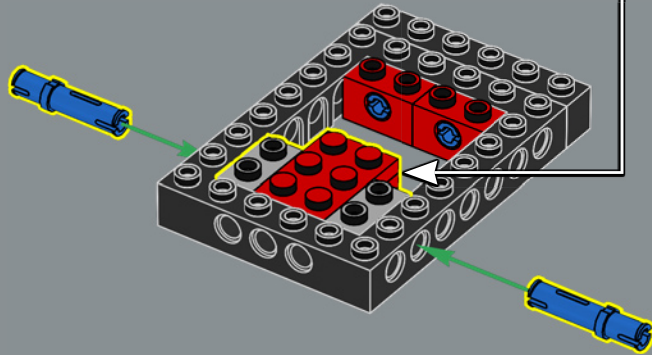
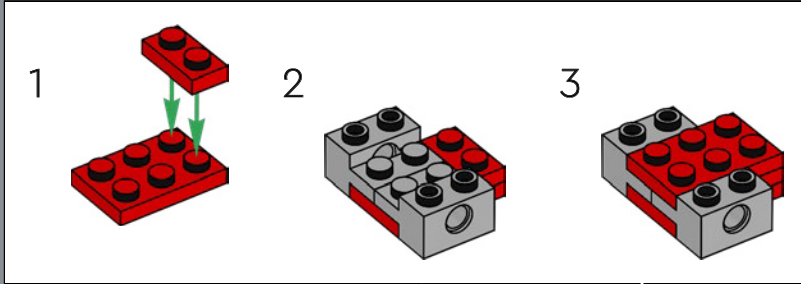


8

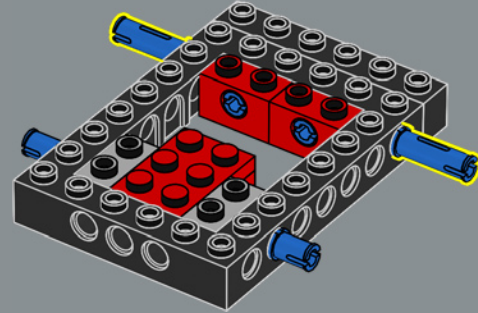




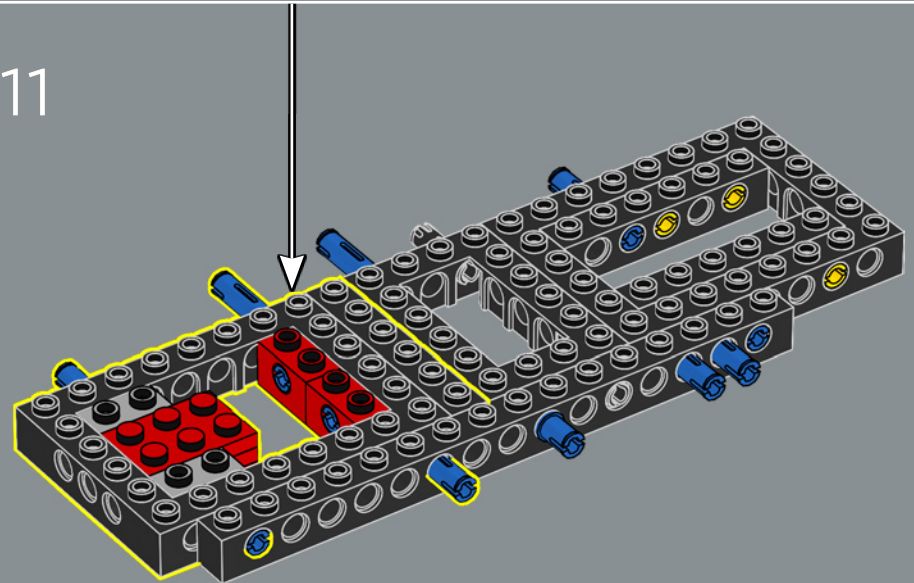
9

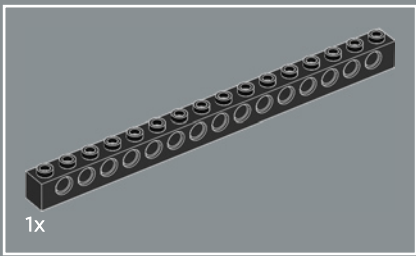


10

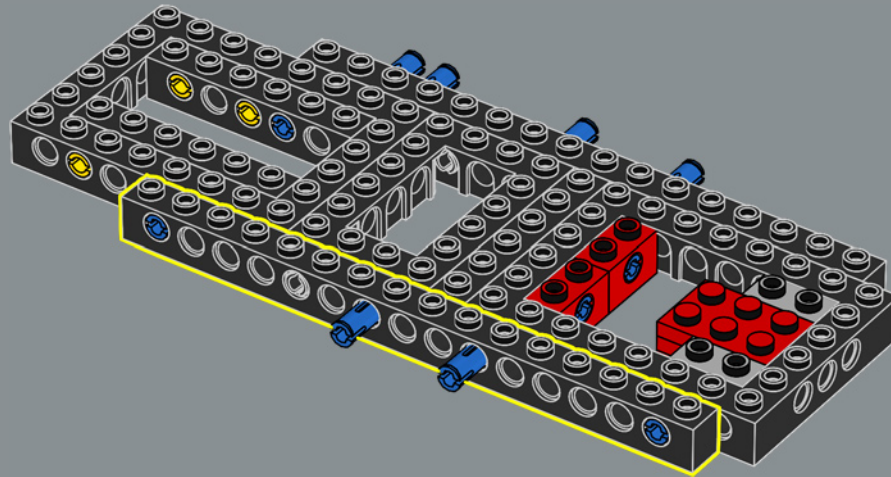


11

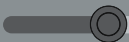
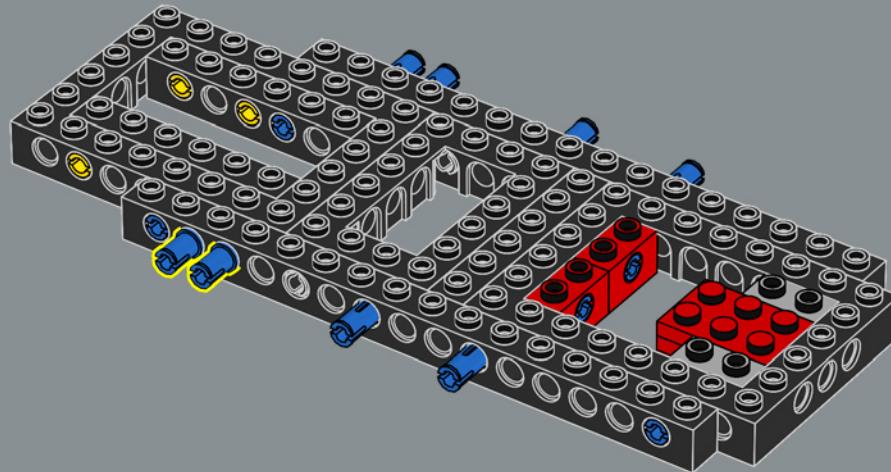


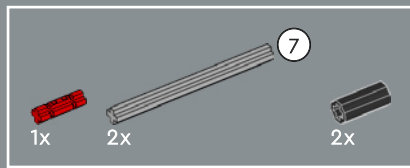


12

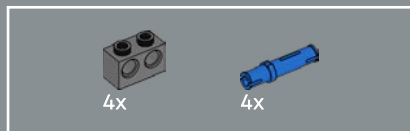
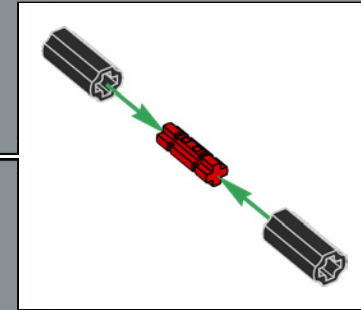
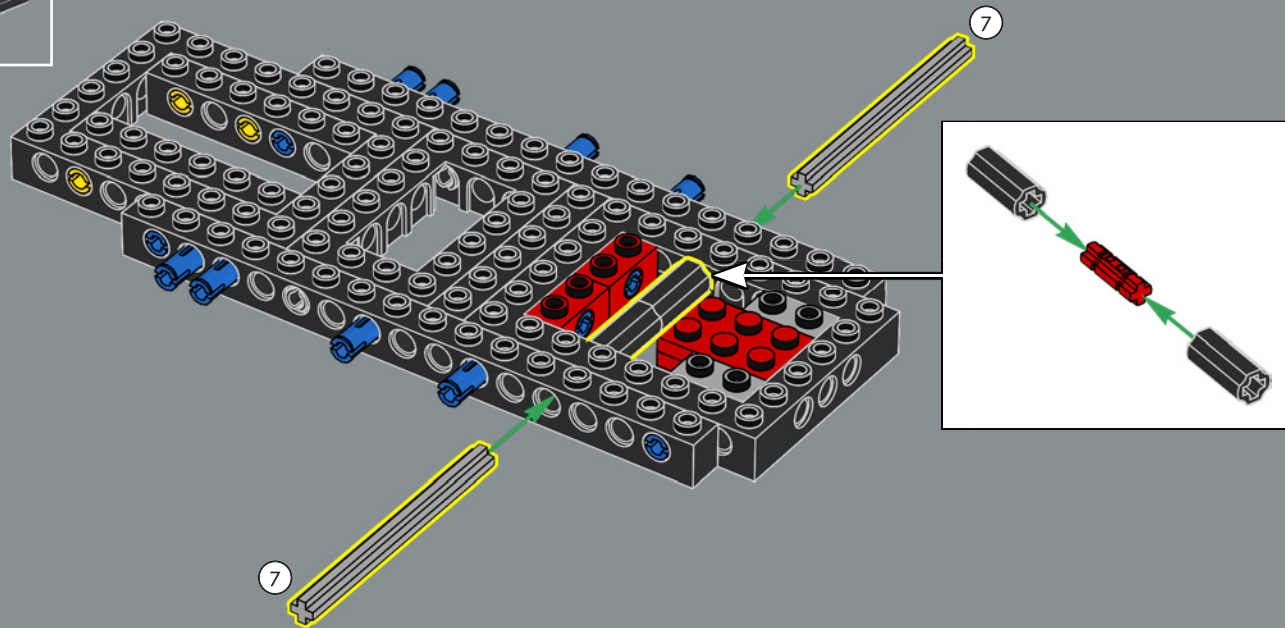


13

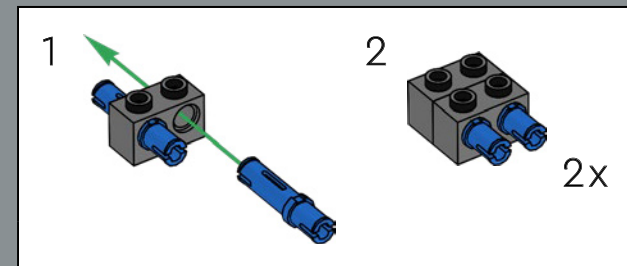
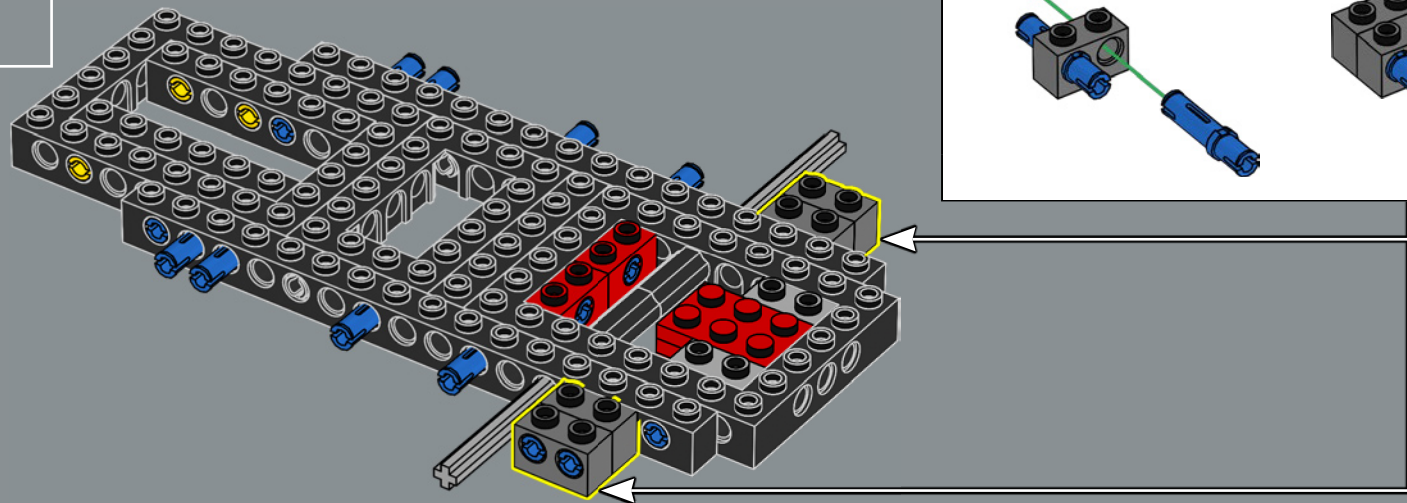


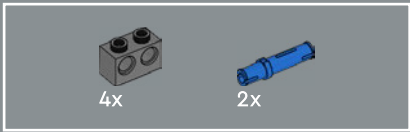


14

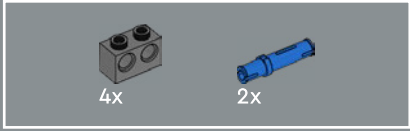
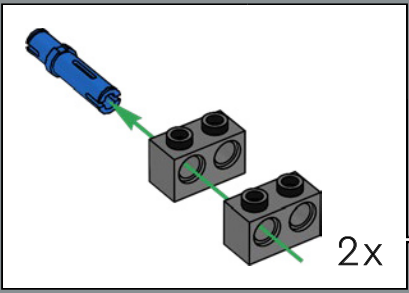
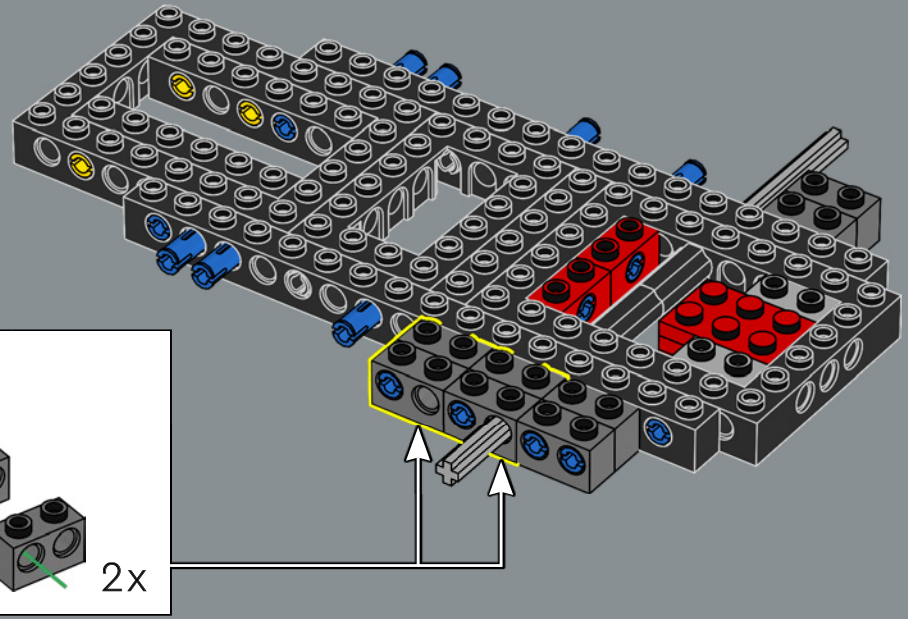


15

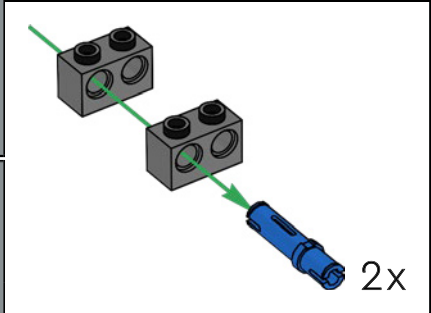
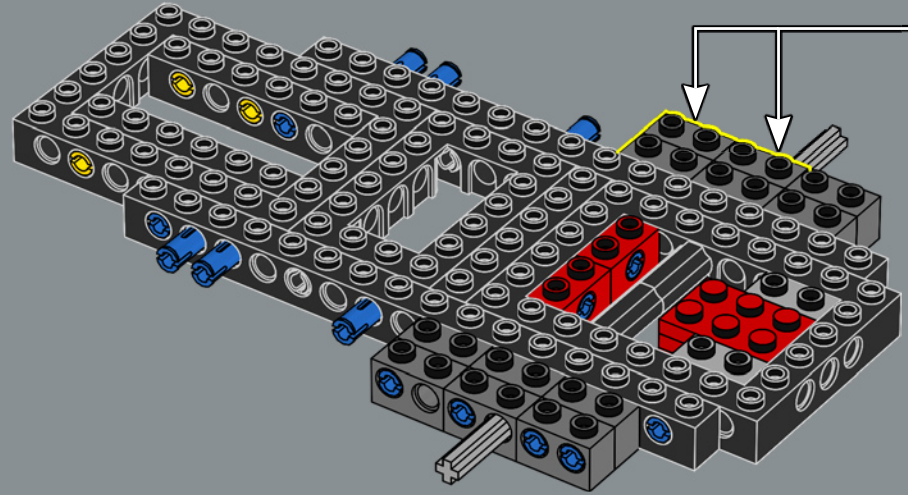


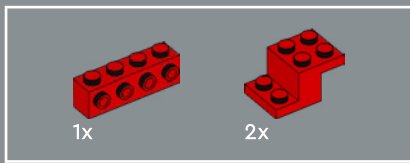


16

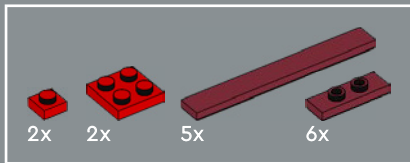
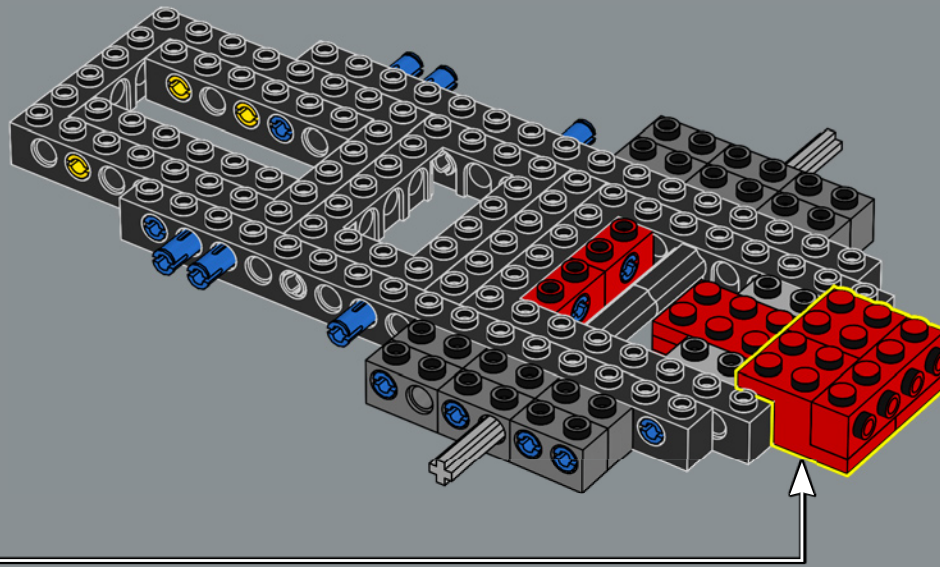
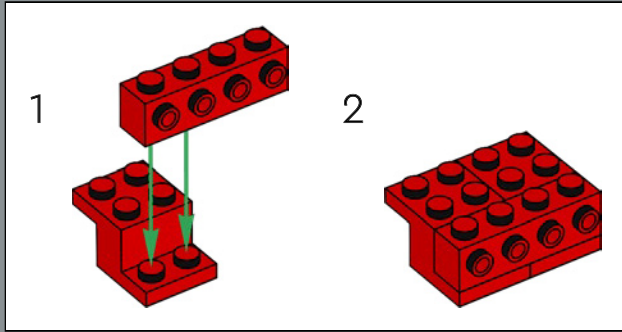


17

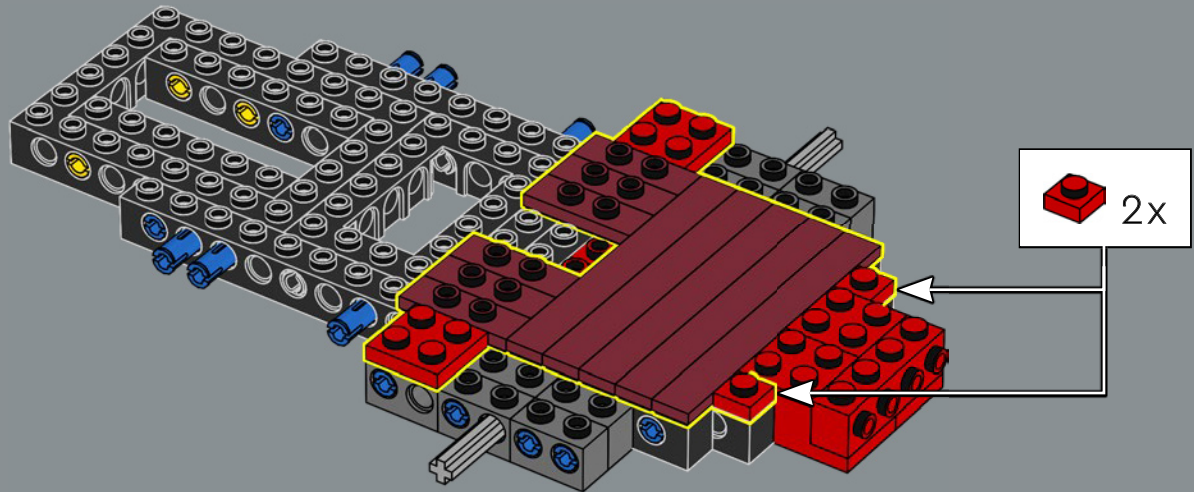


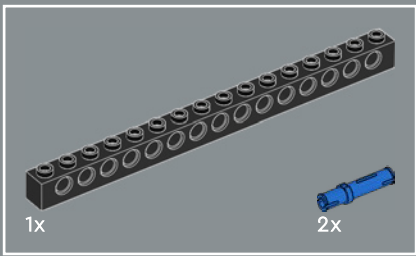


18

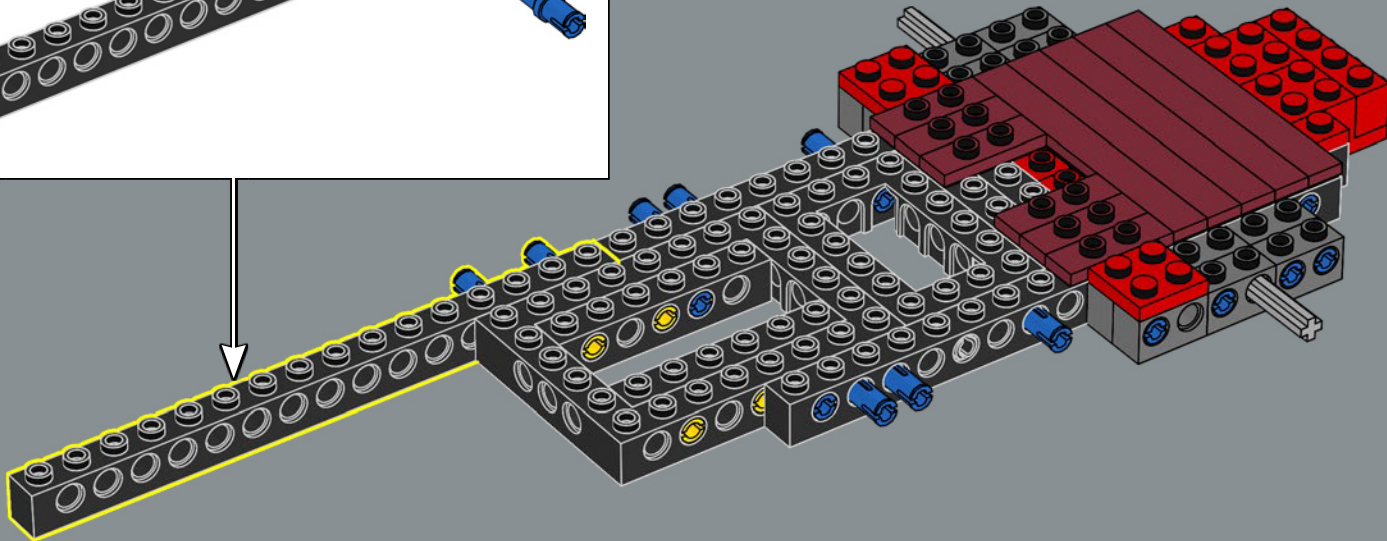
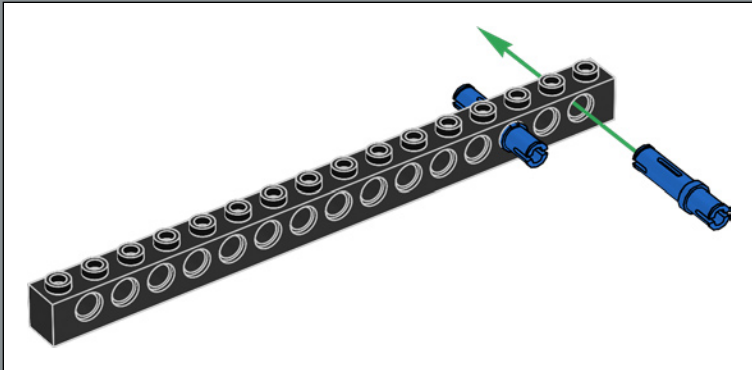


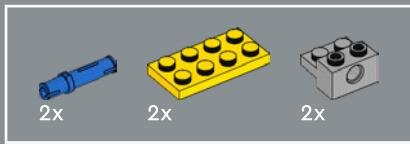
19



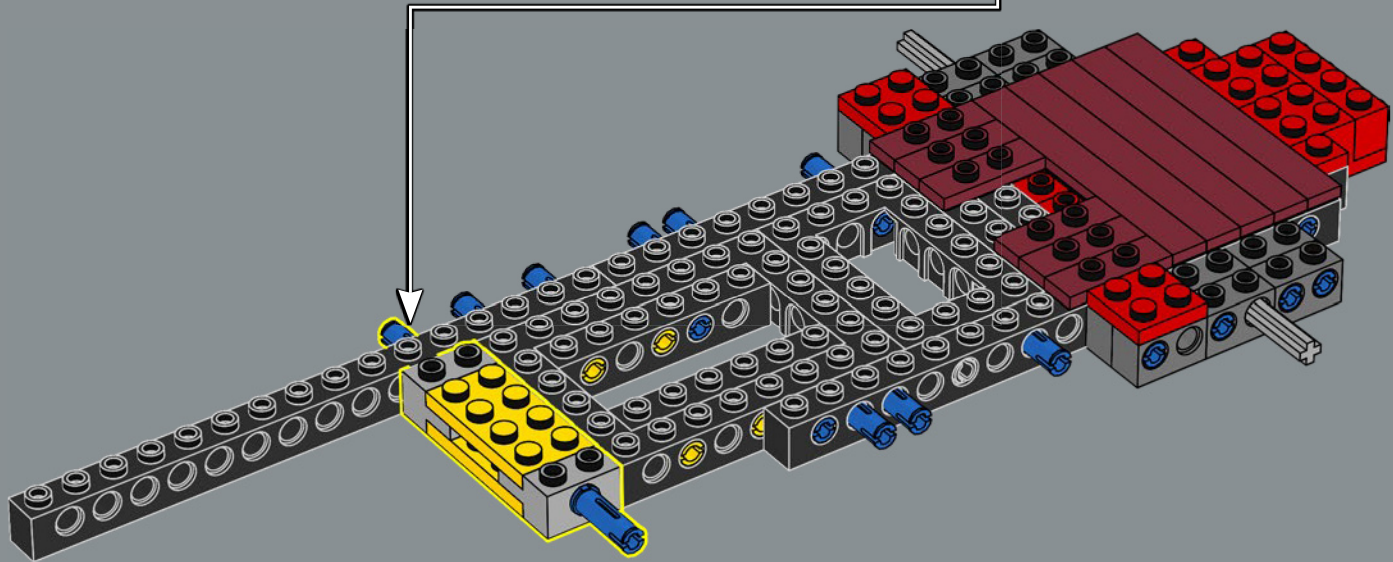
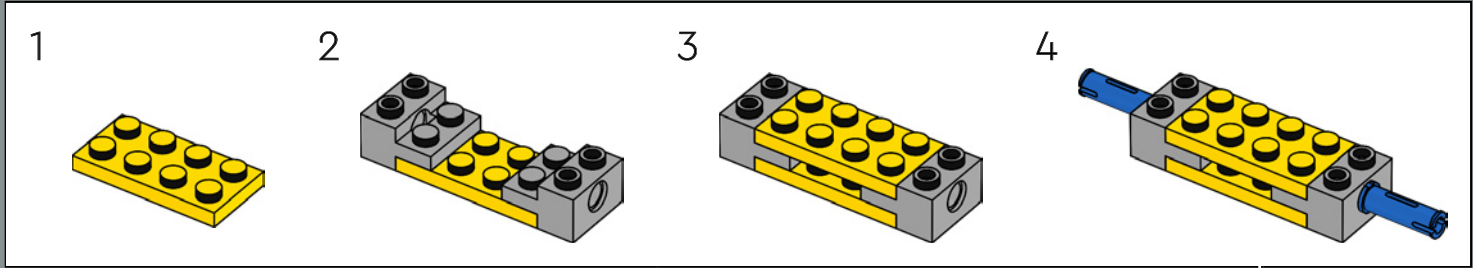


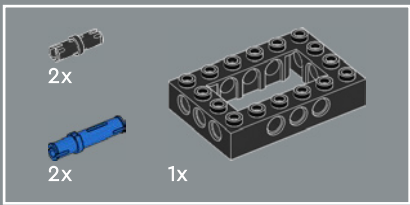
20



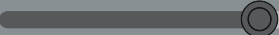
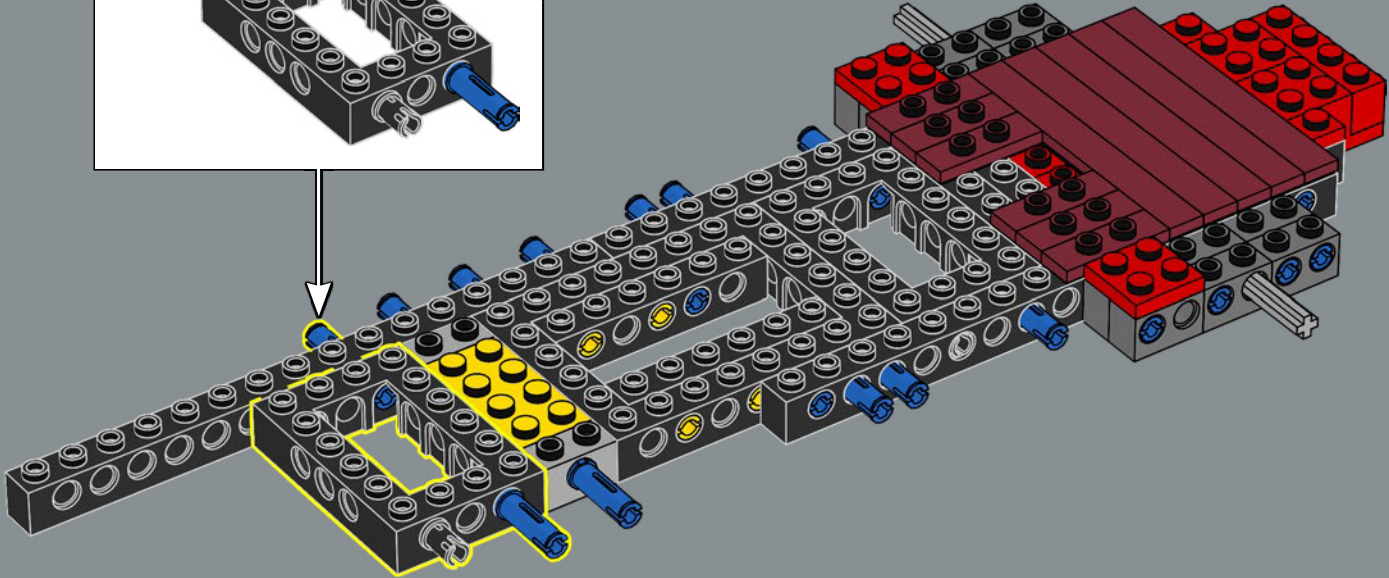
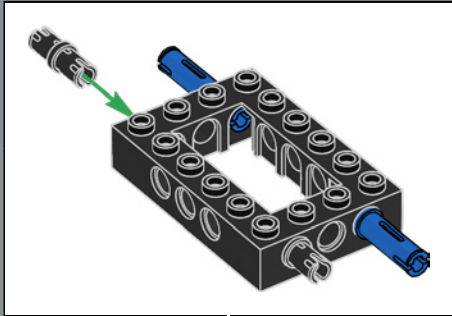


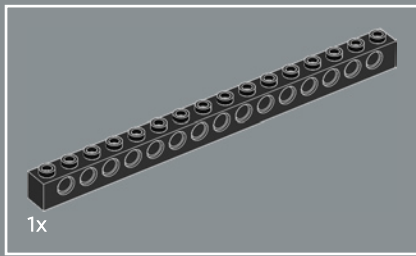
21



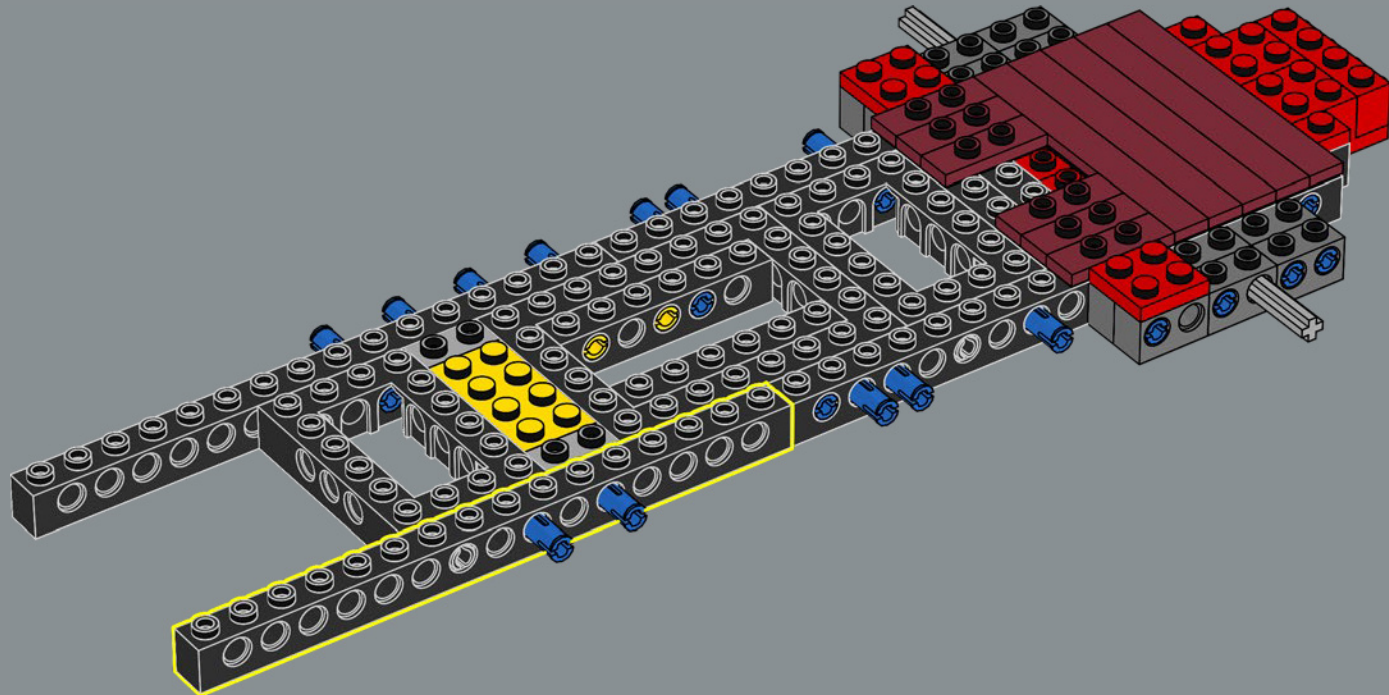


22



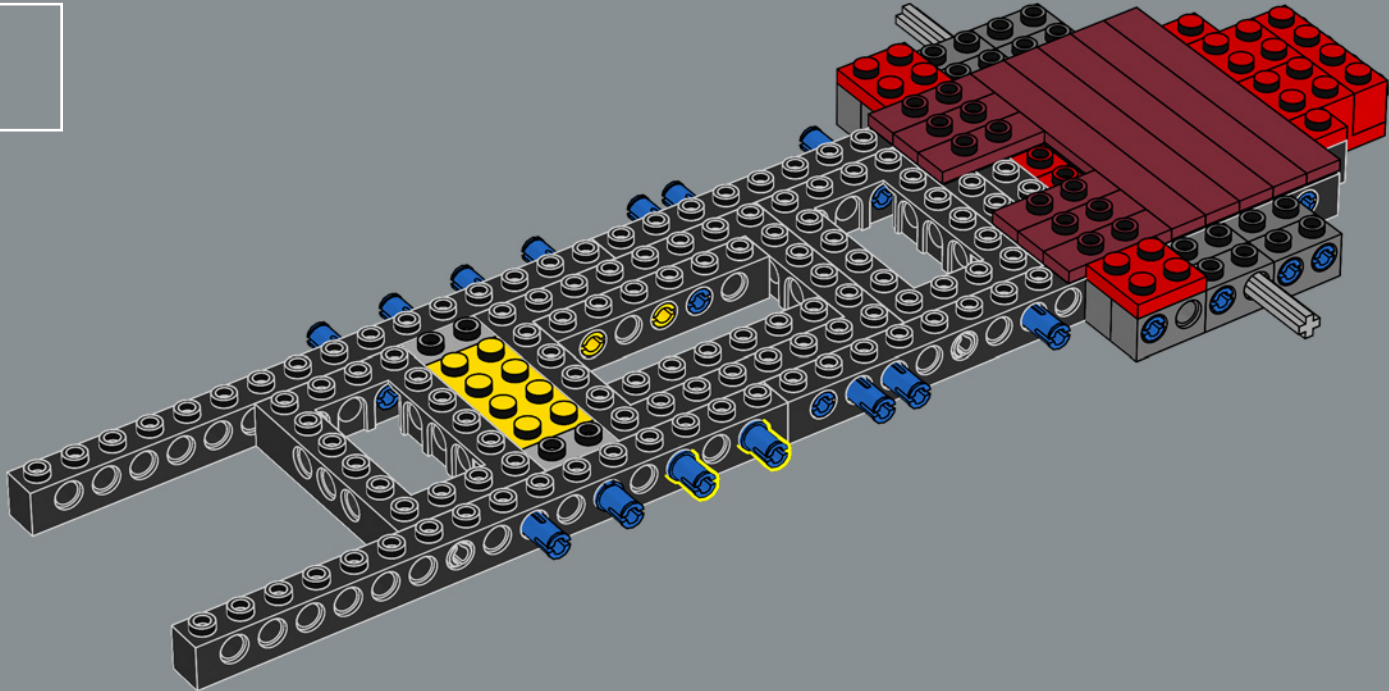


23

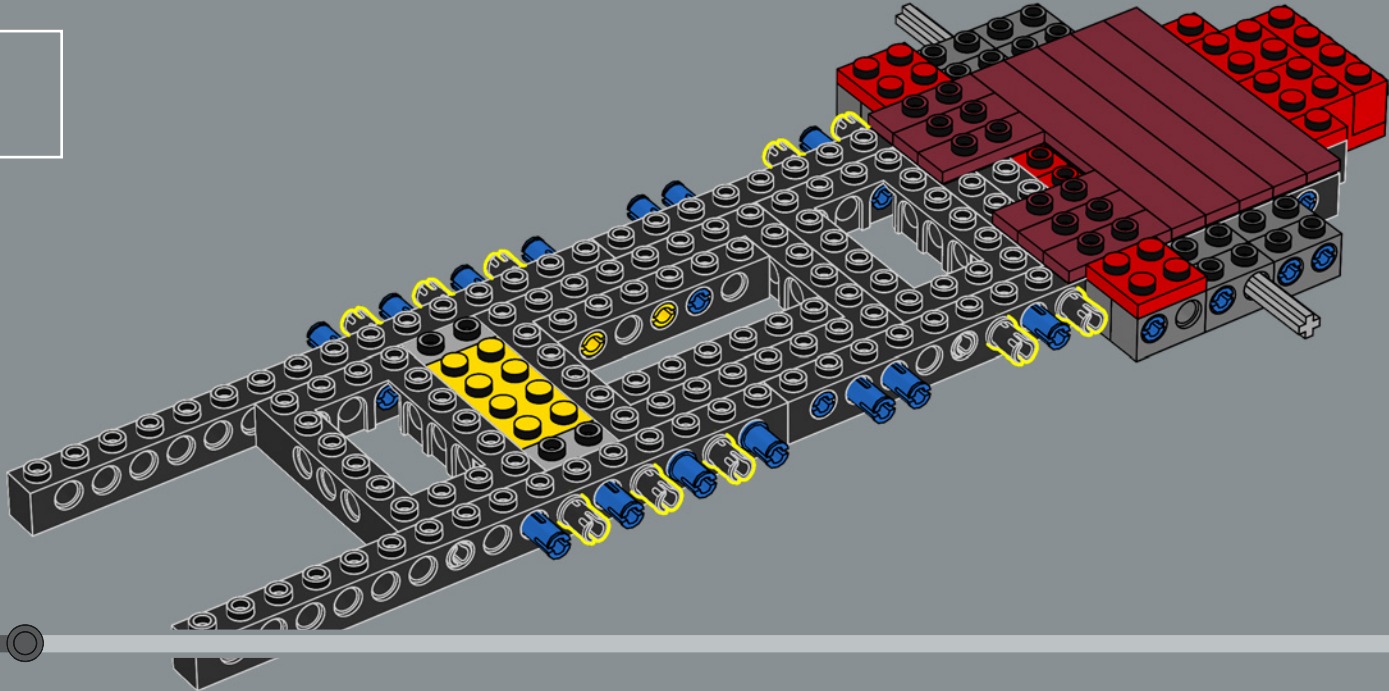


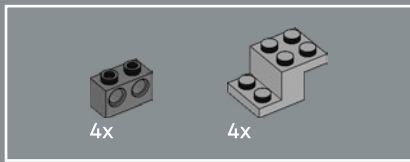


24

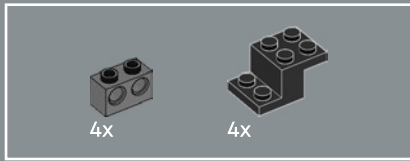
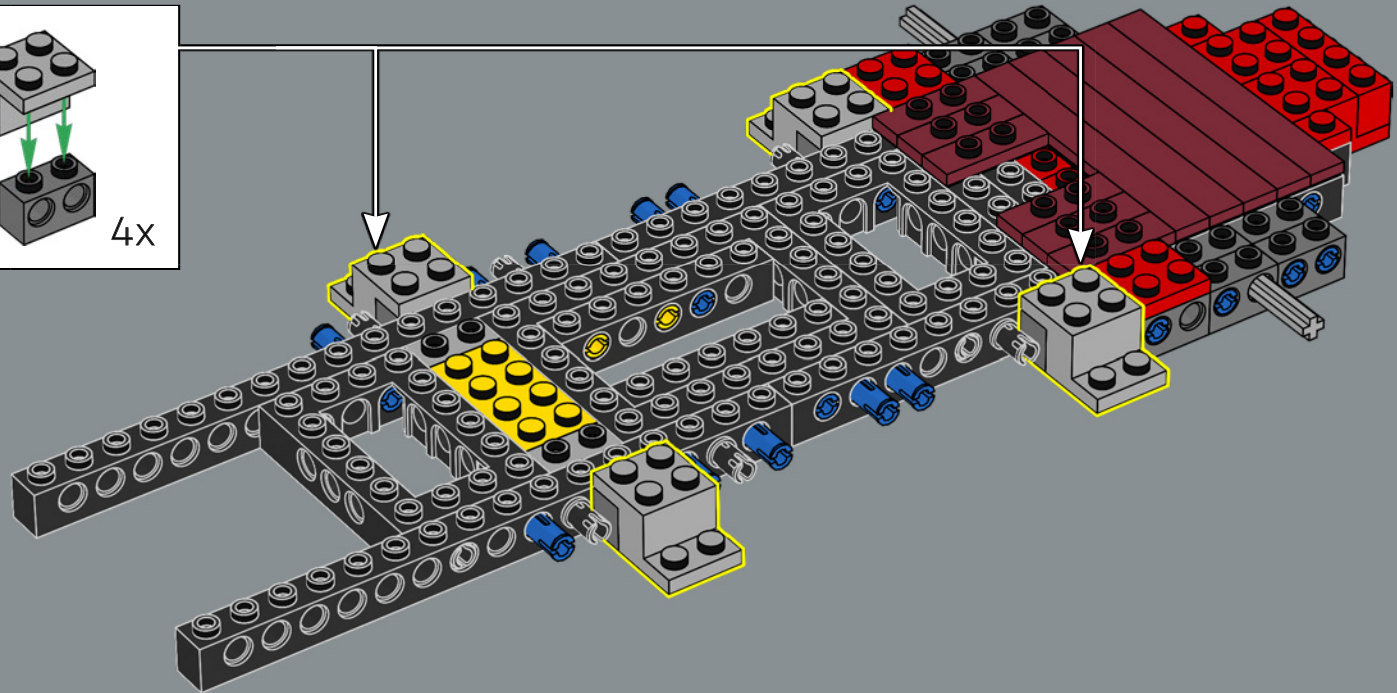
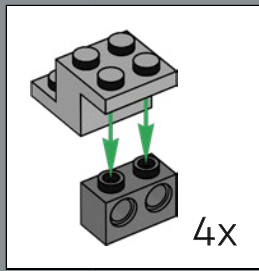


25

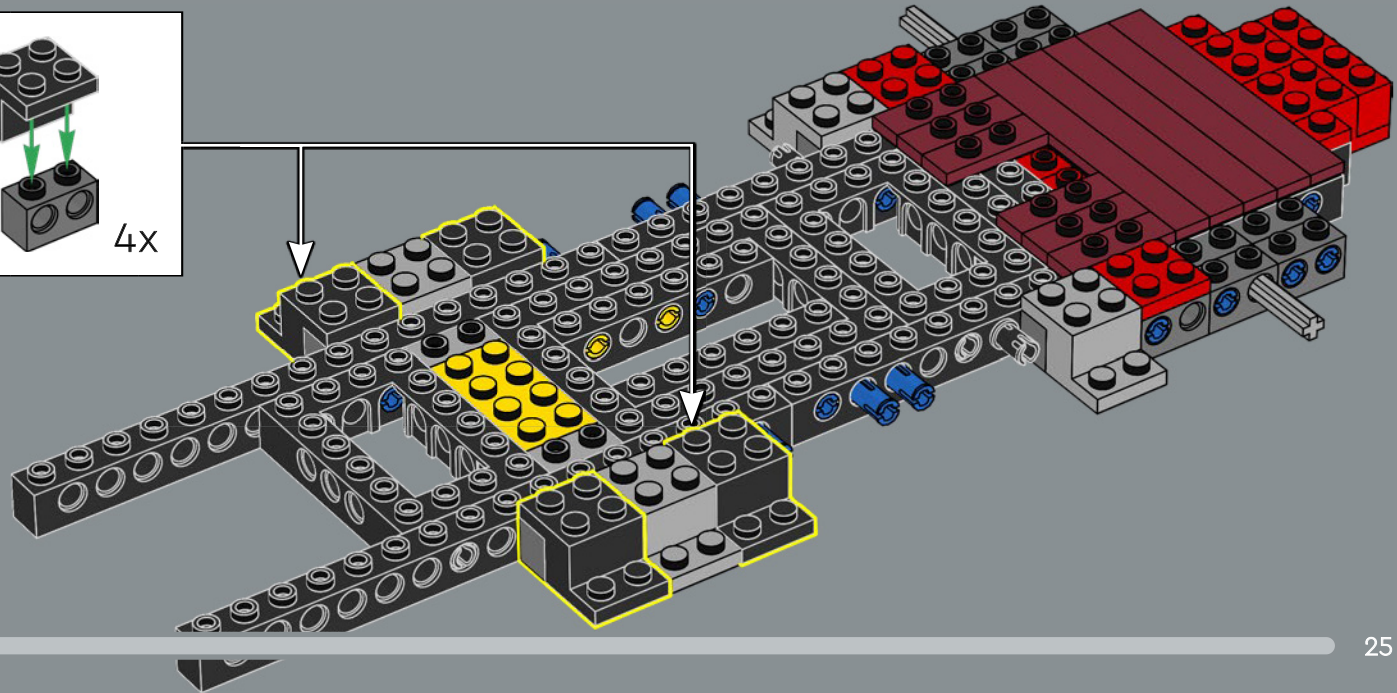
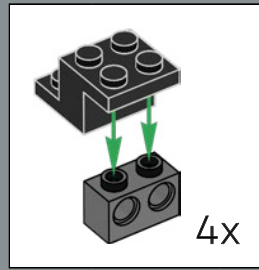




26



27



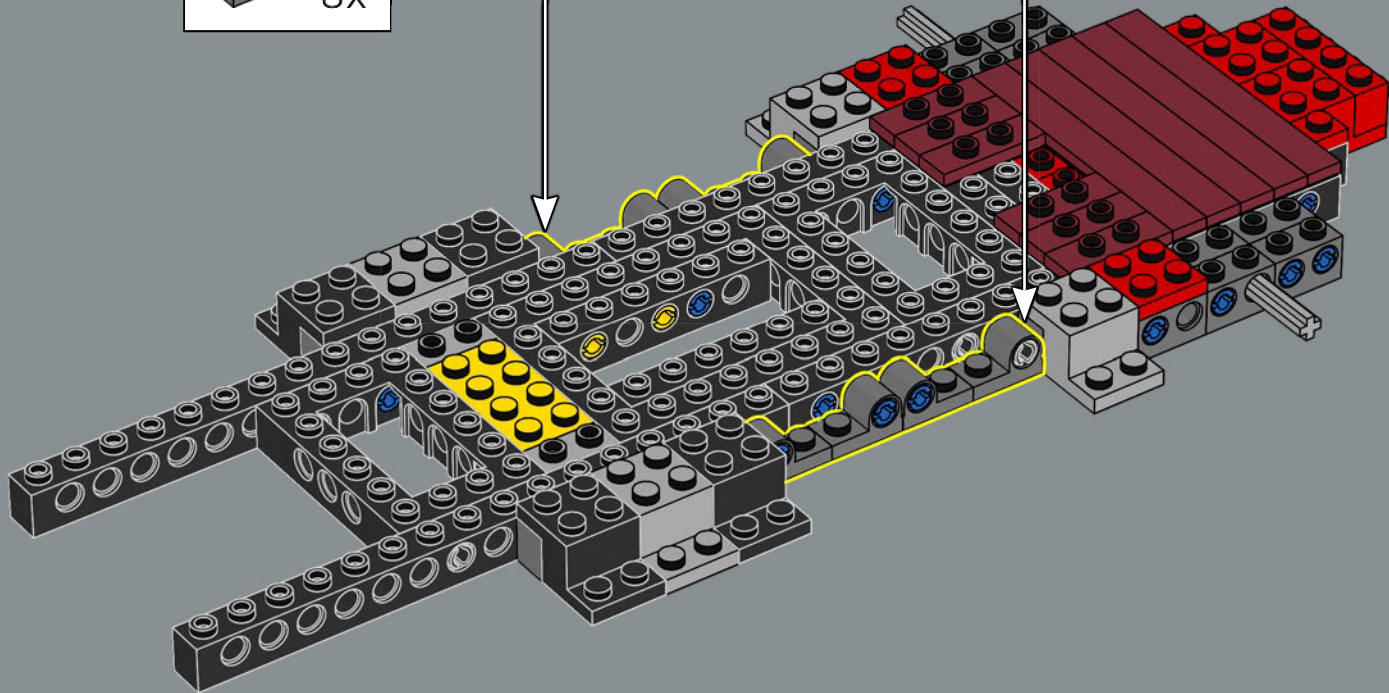


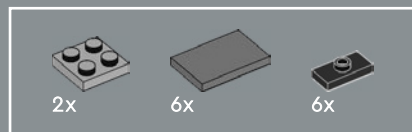
8x

28

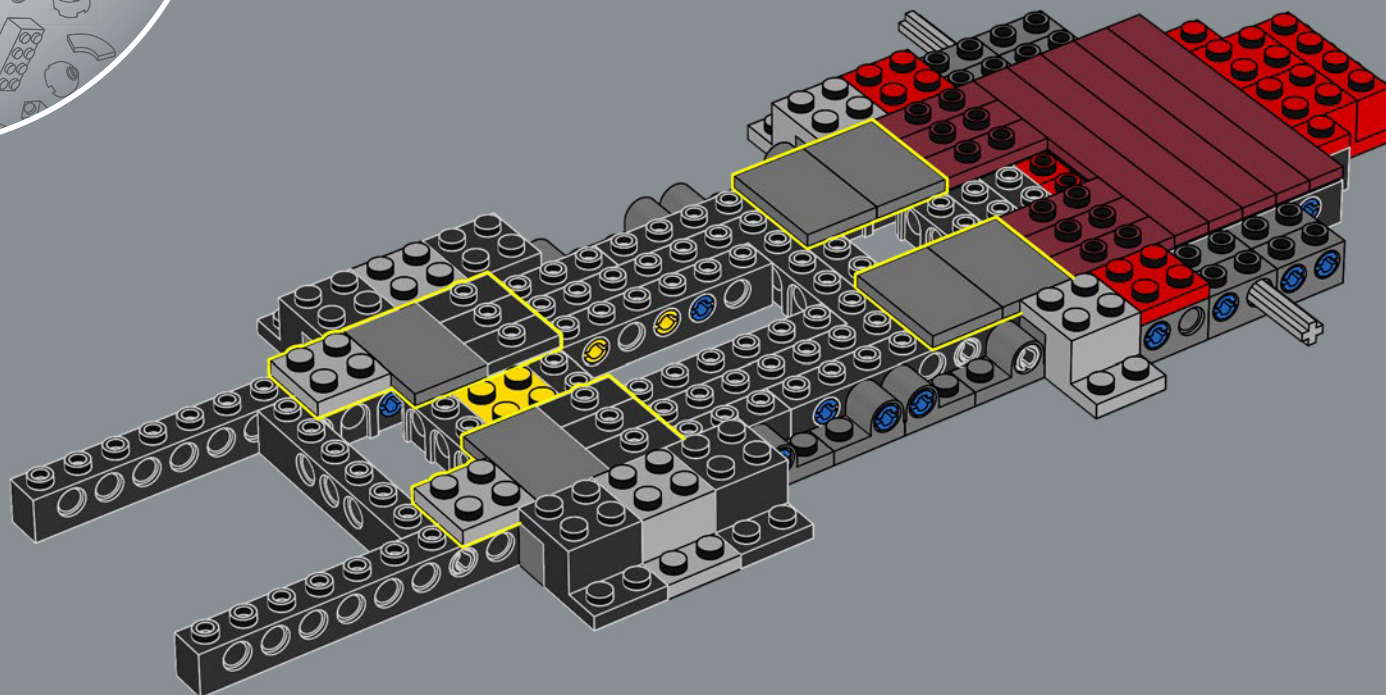


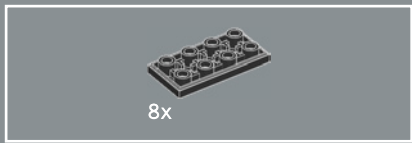
8x



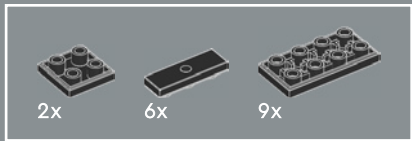
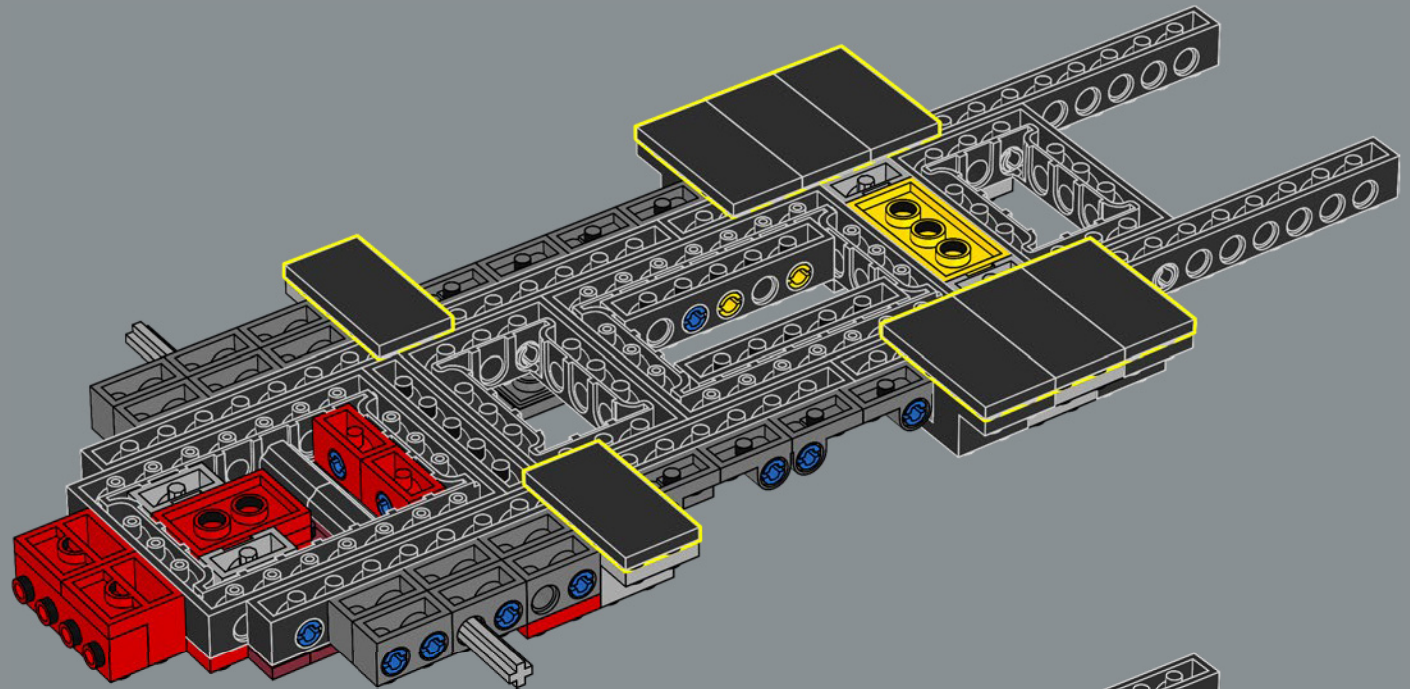


29

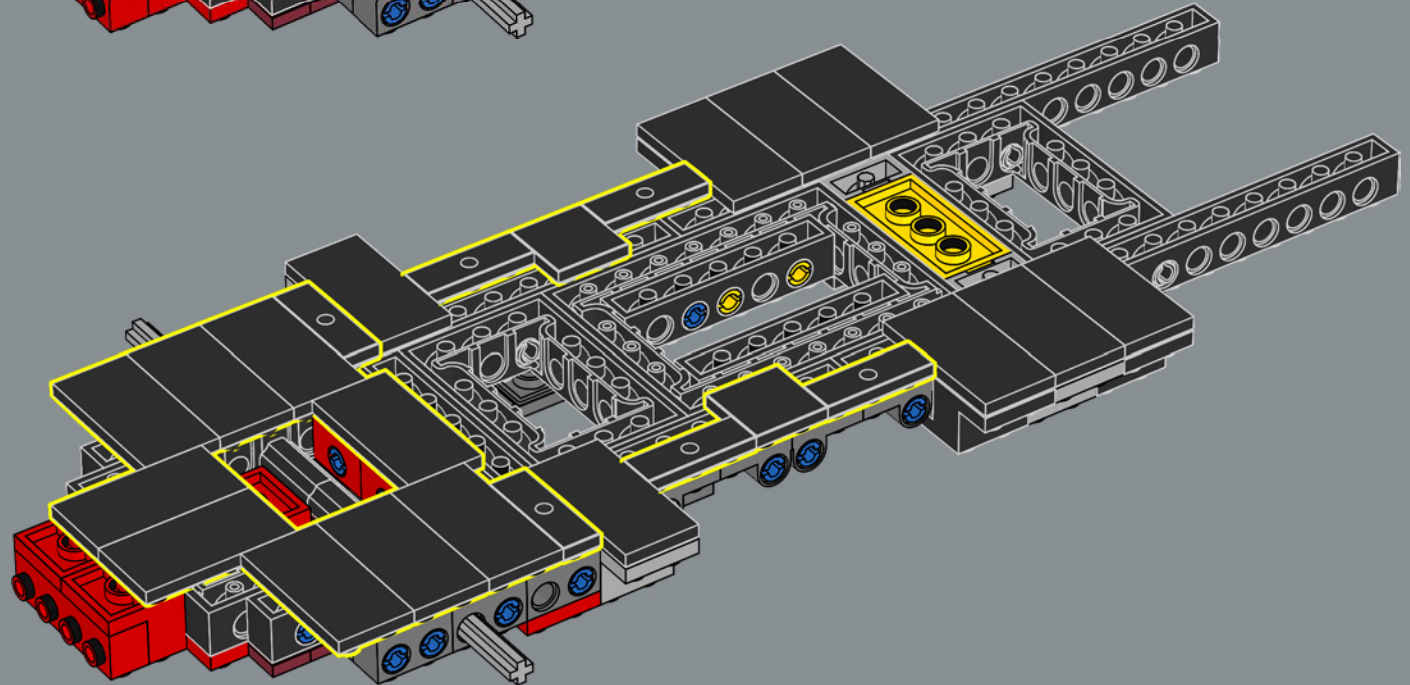


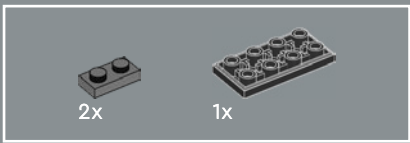


30

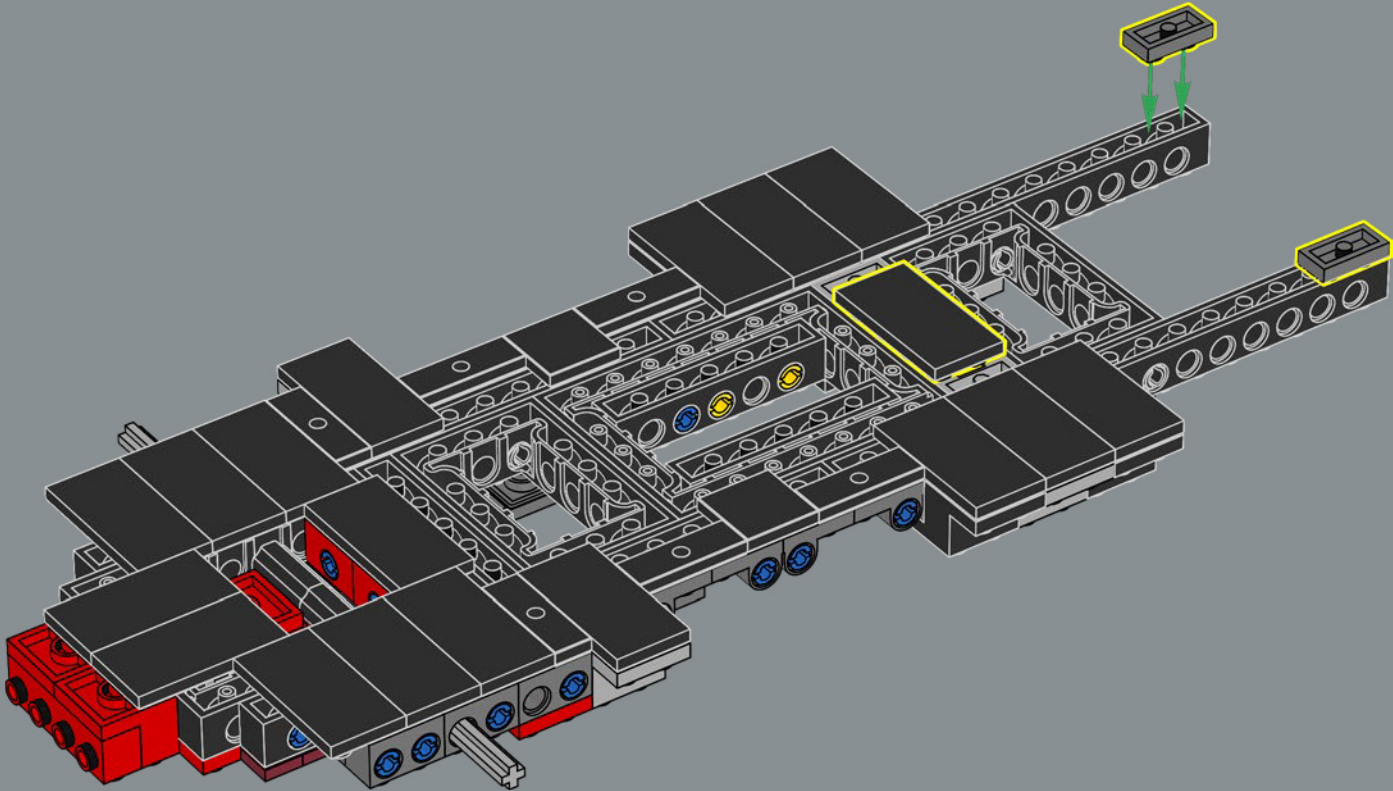


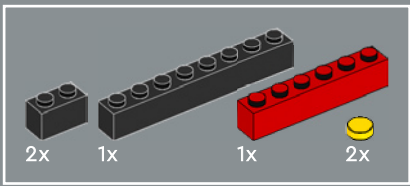
31



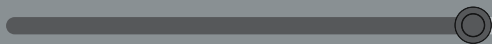
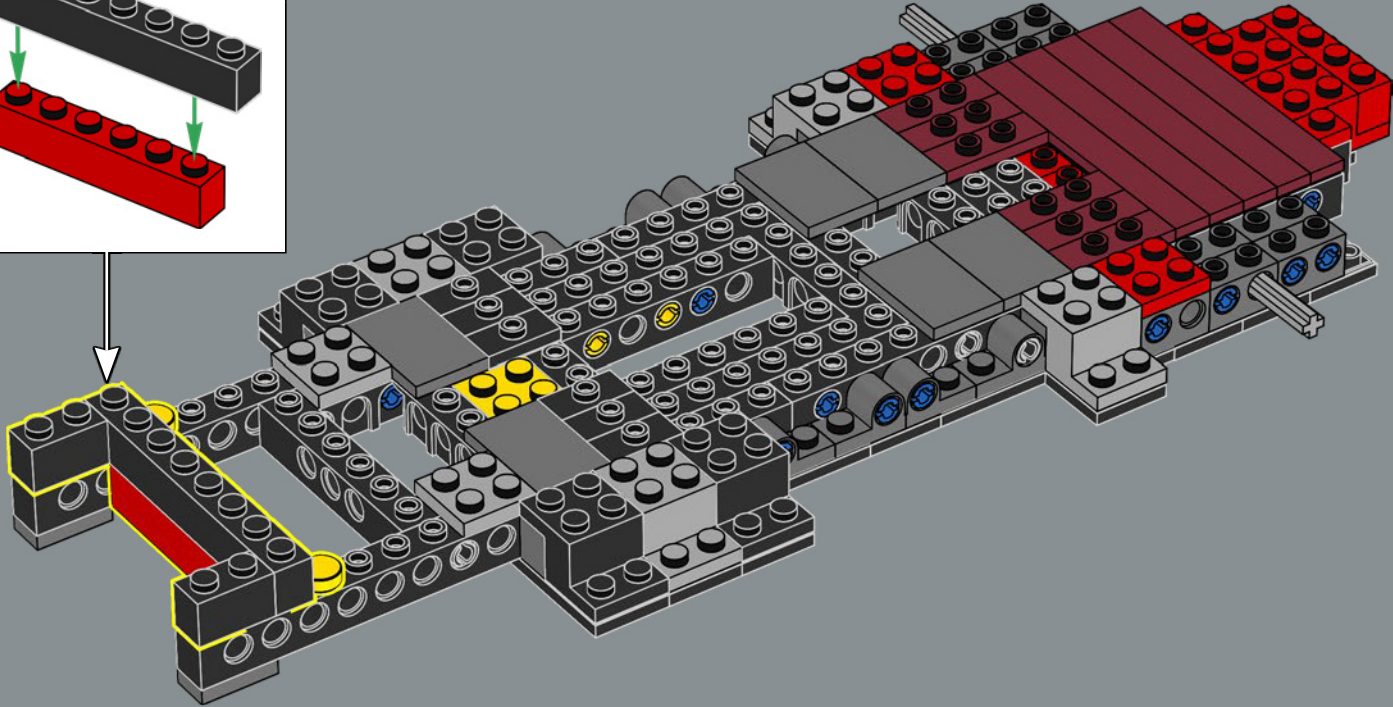
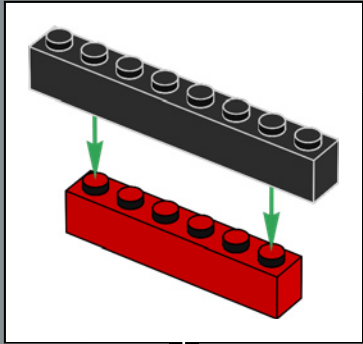


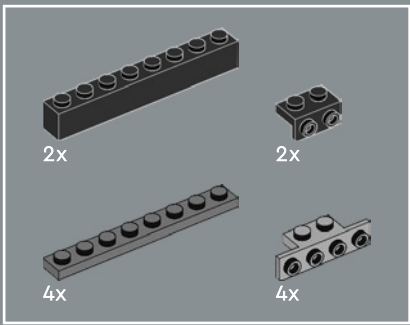
32



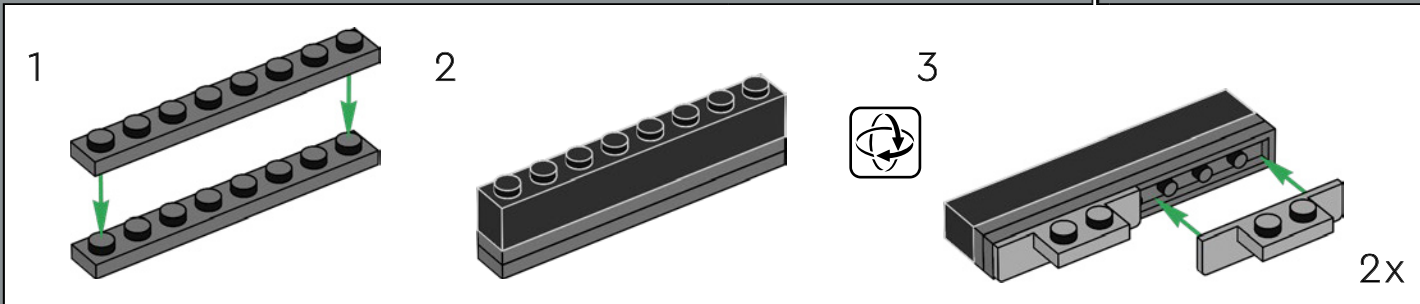
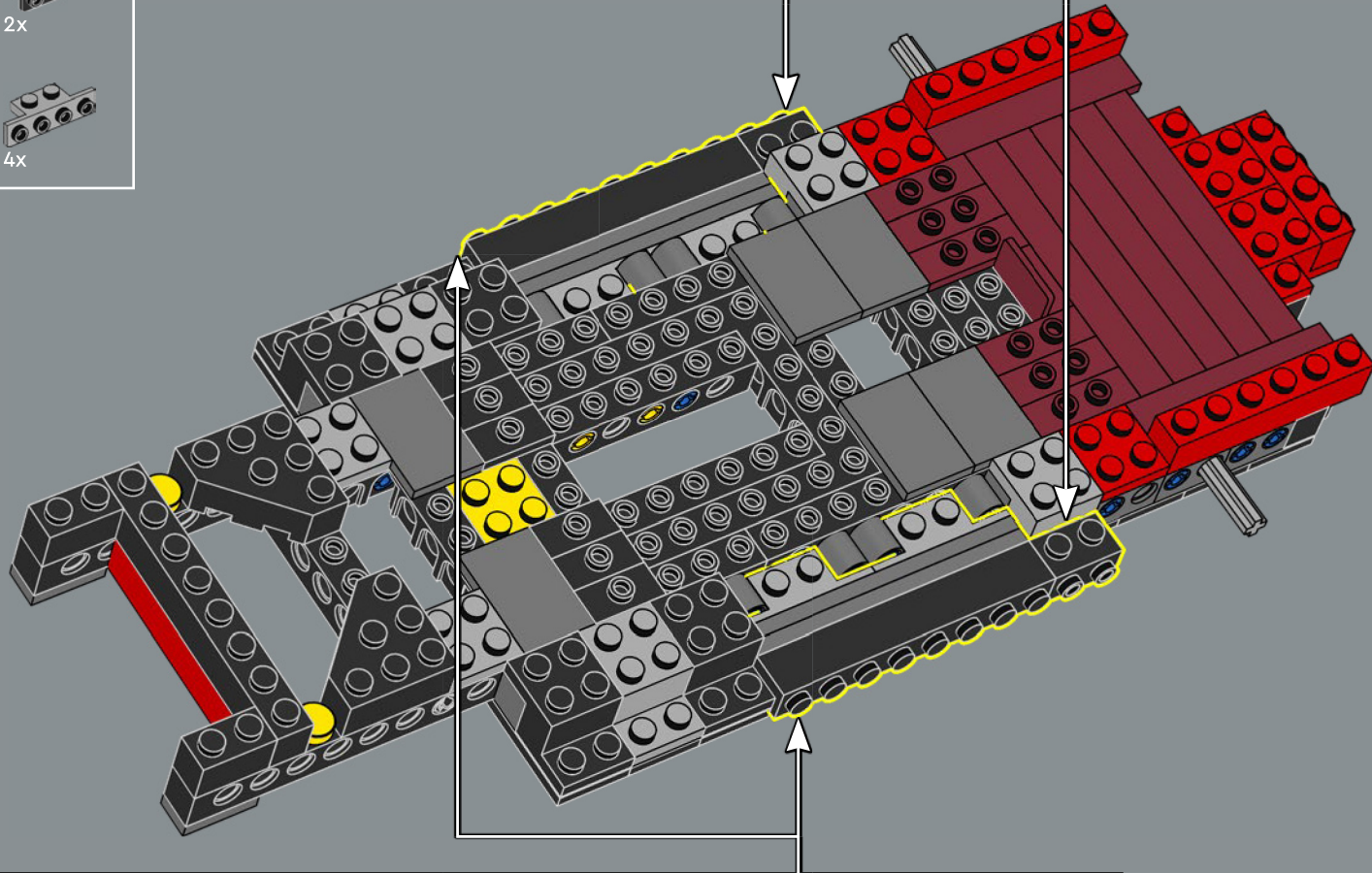


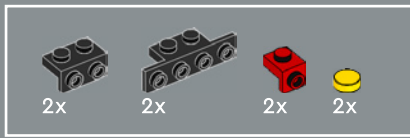
33



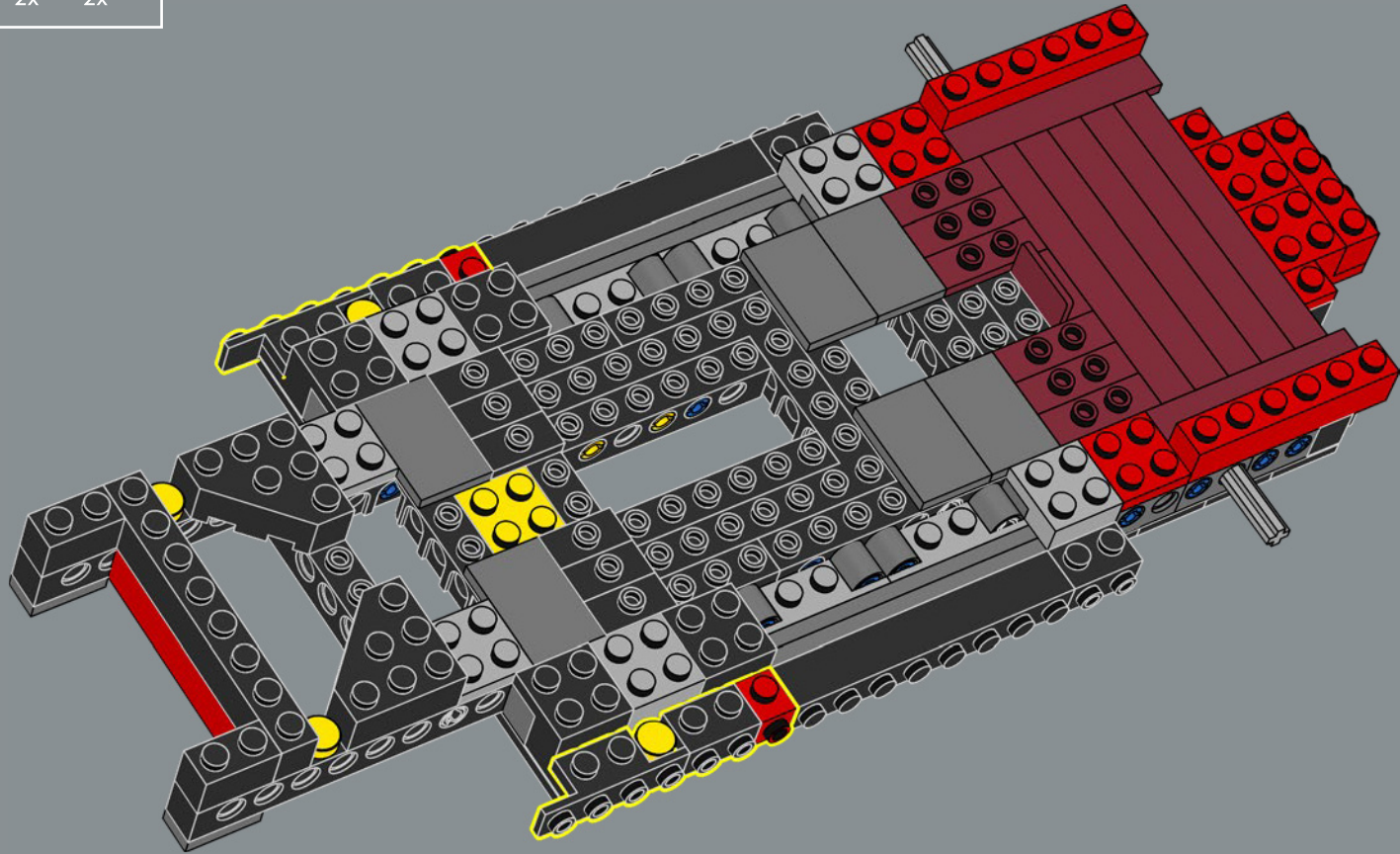


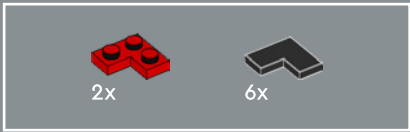
36



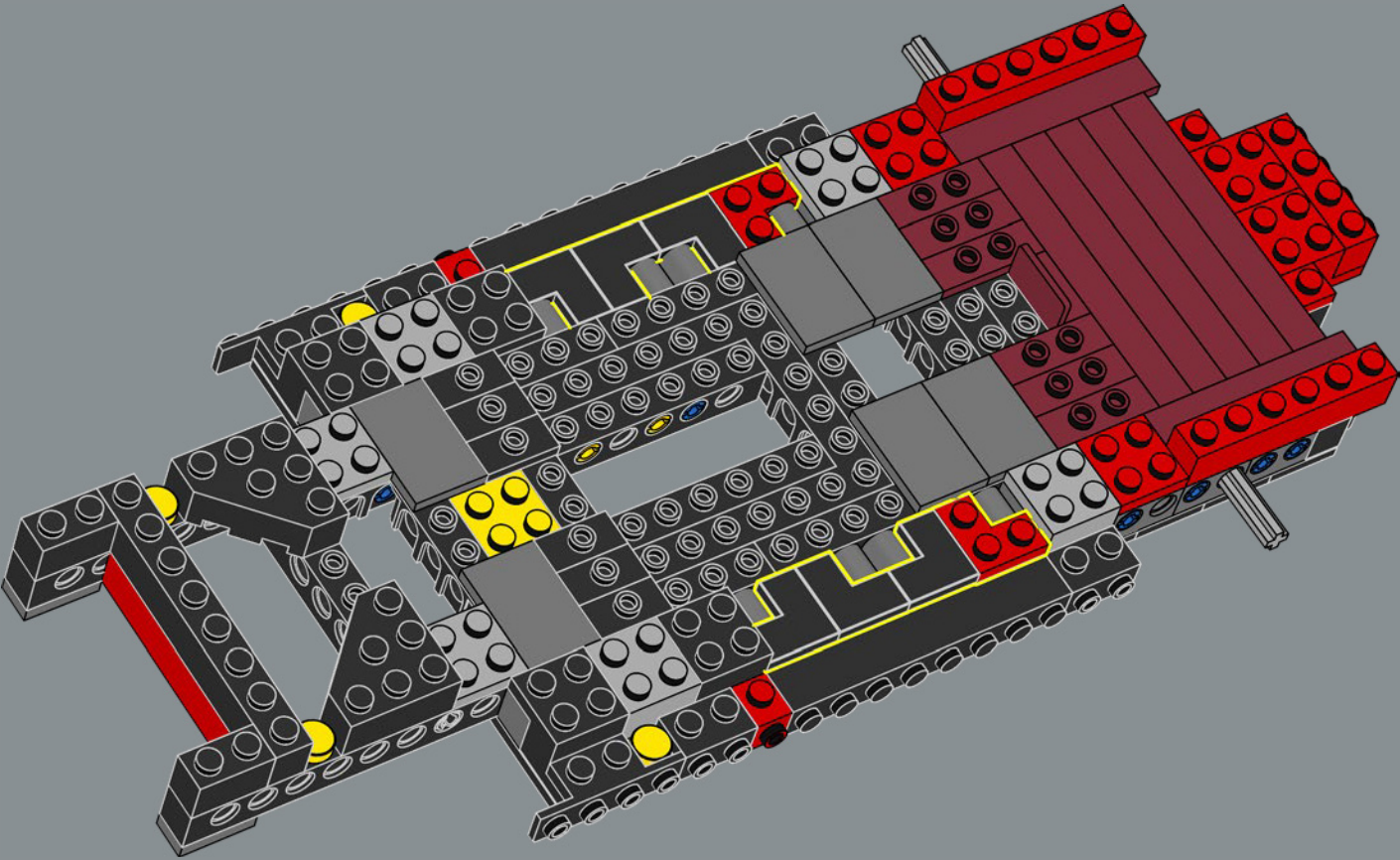


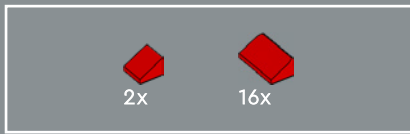
37



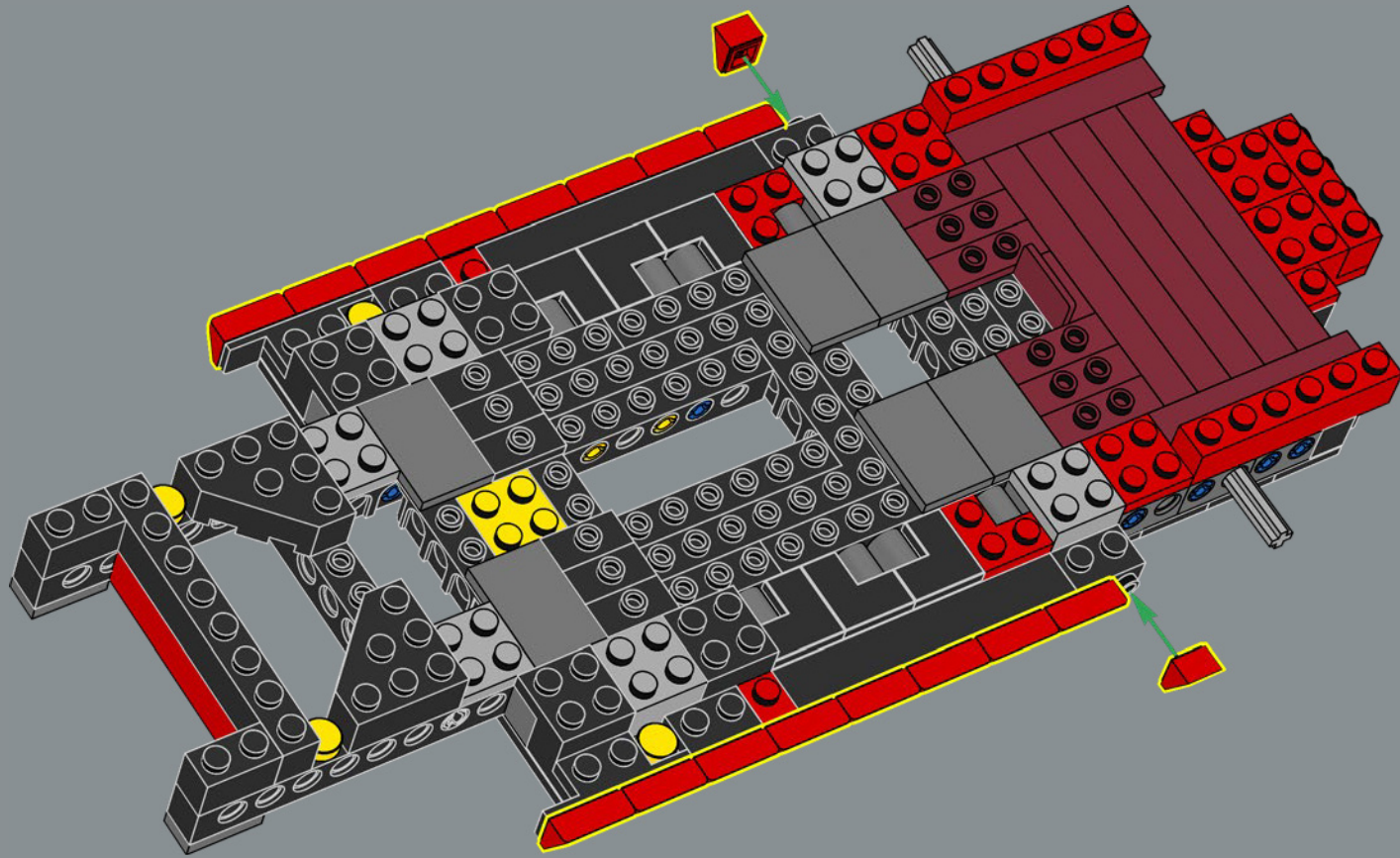


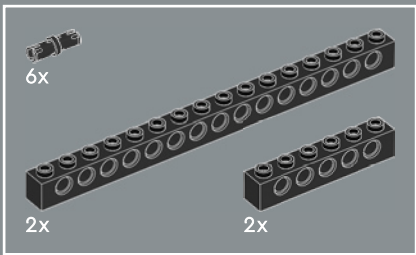
38





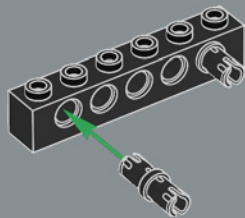
39



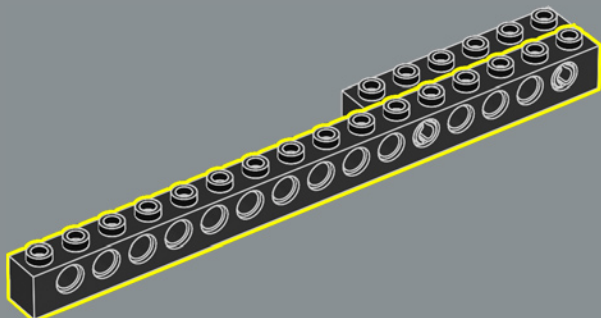


40

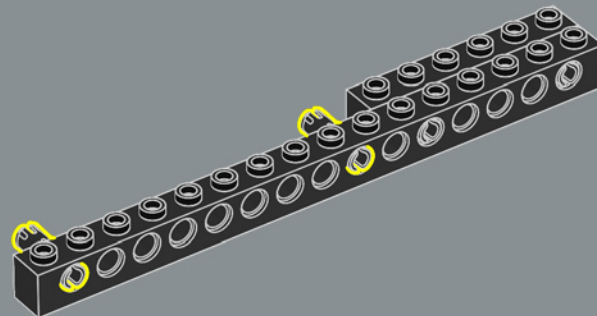
1



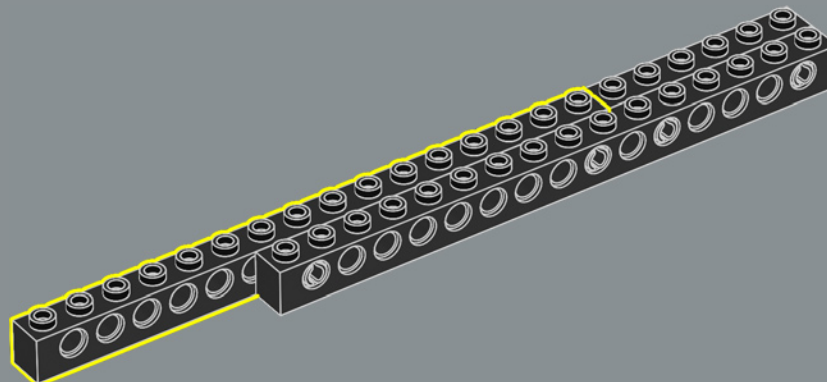
2



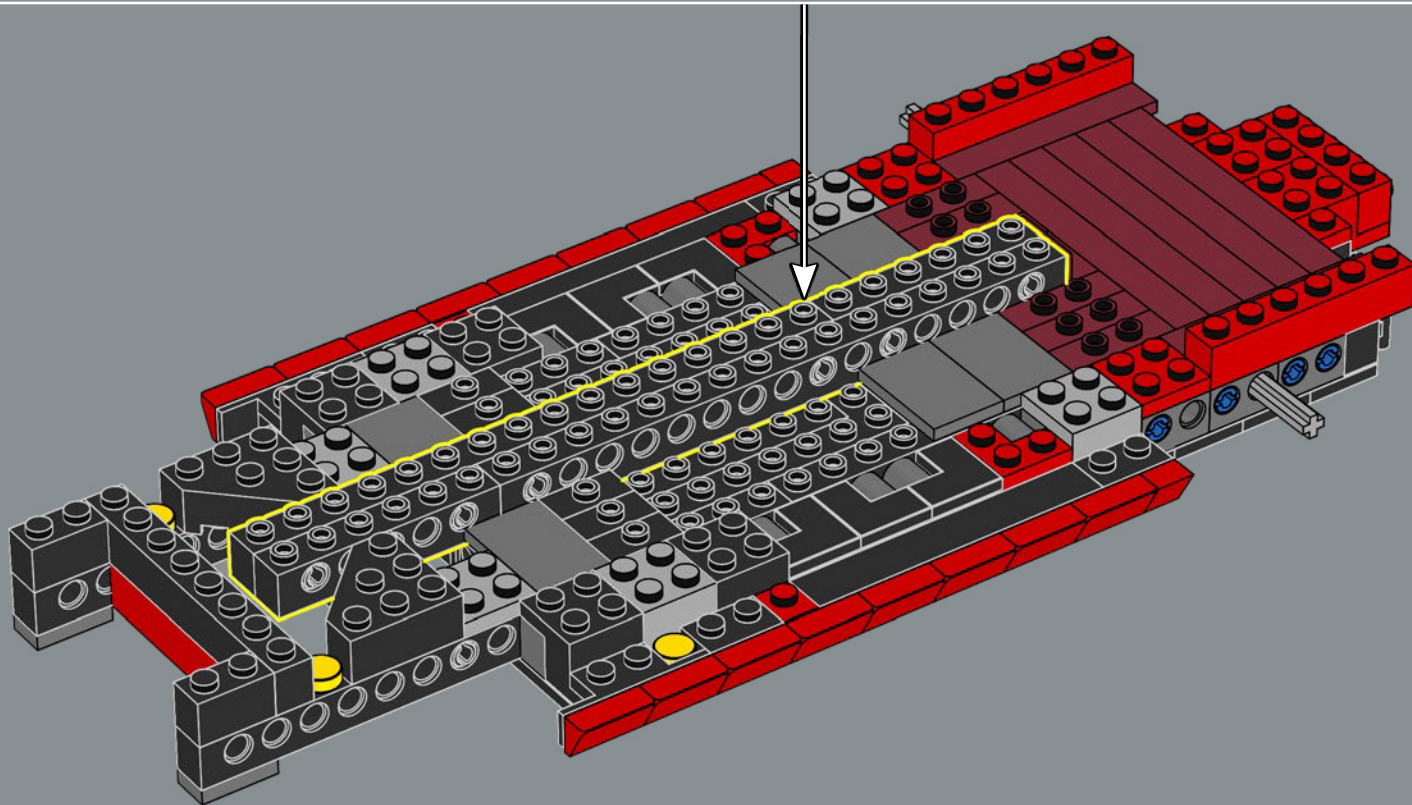
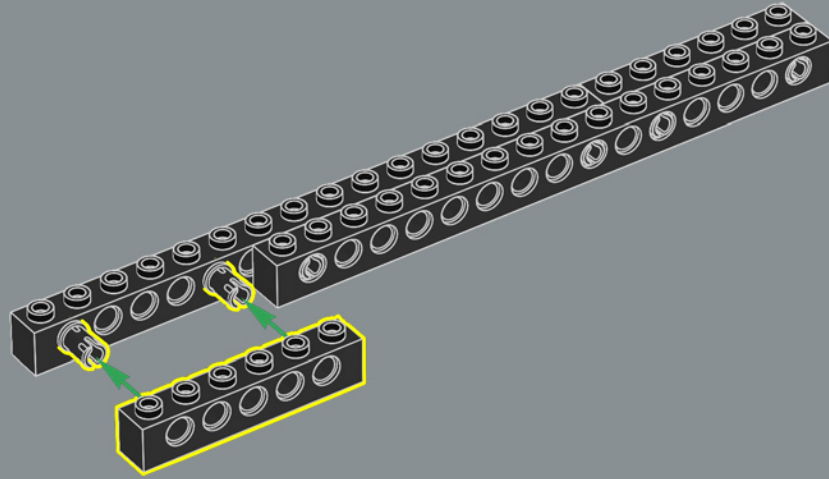
3

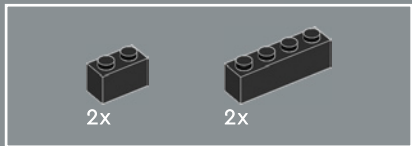


4

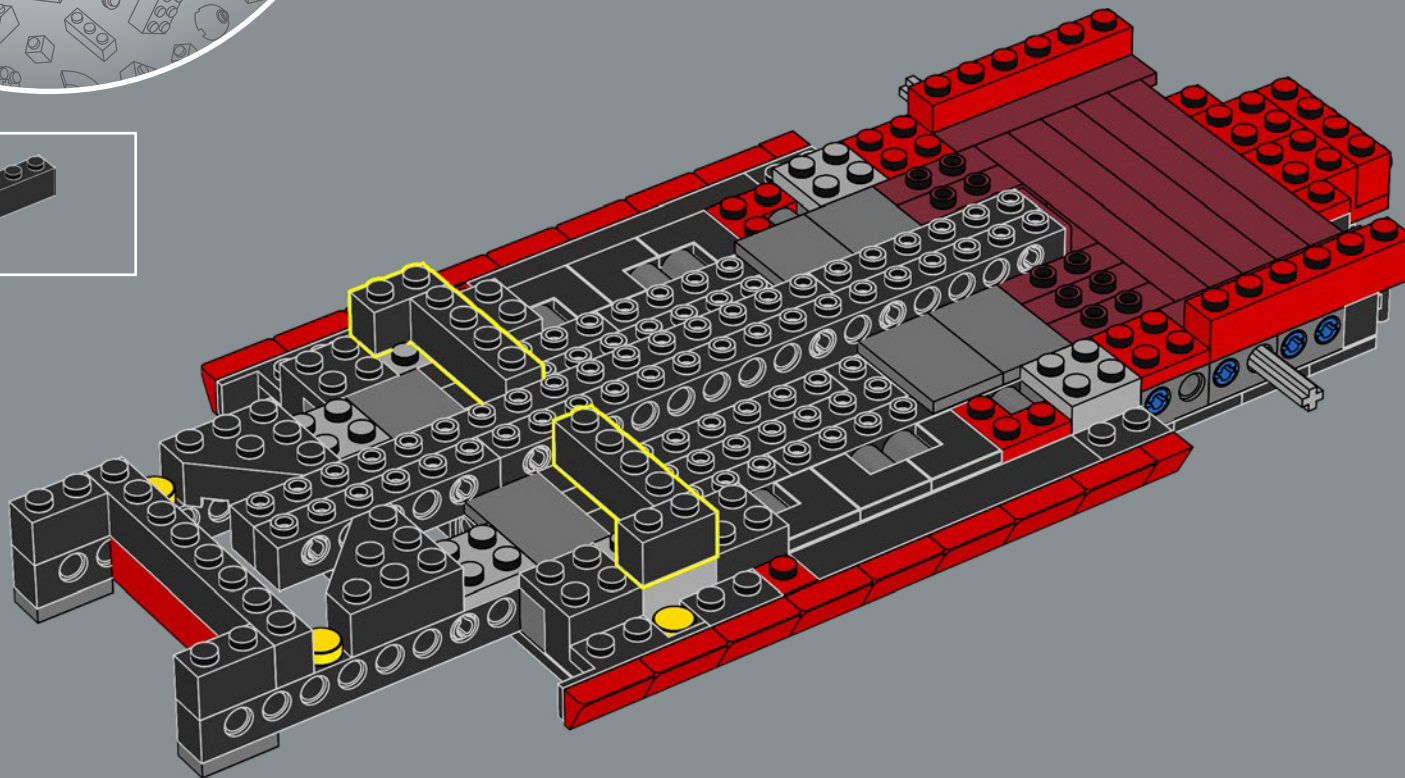


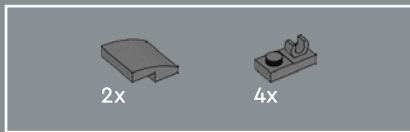
5



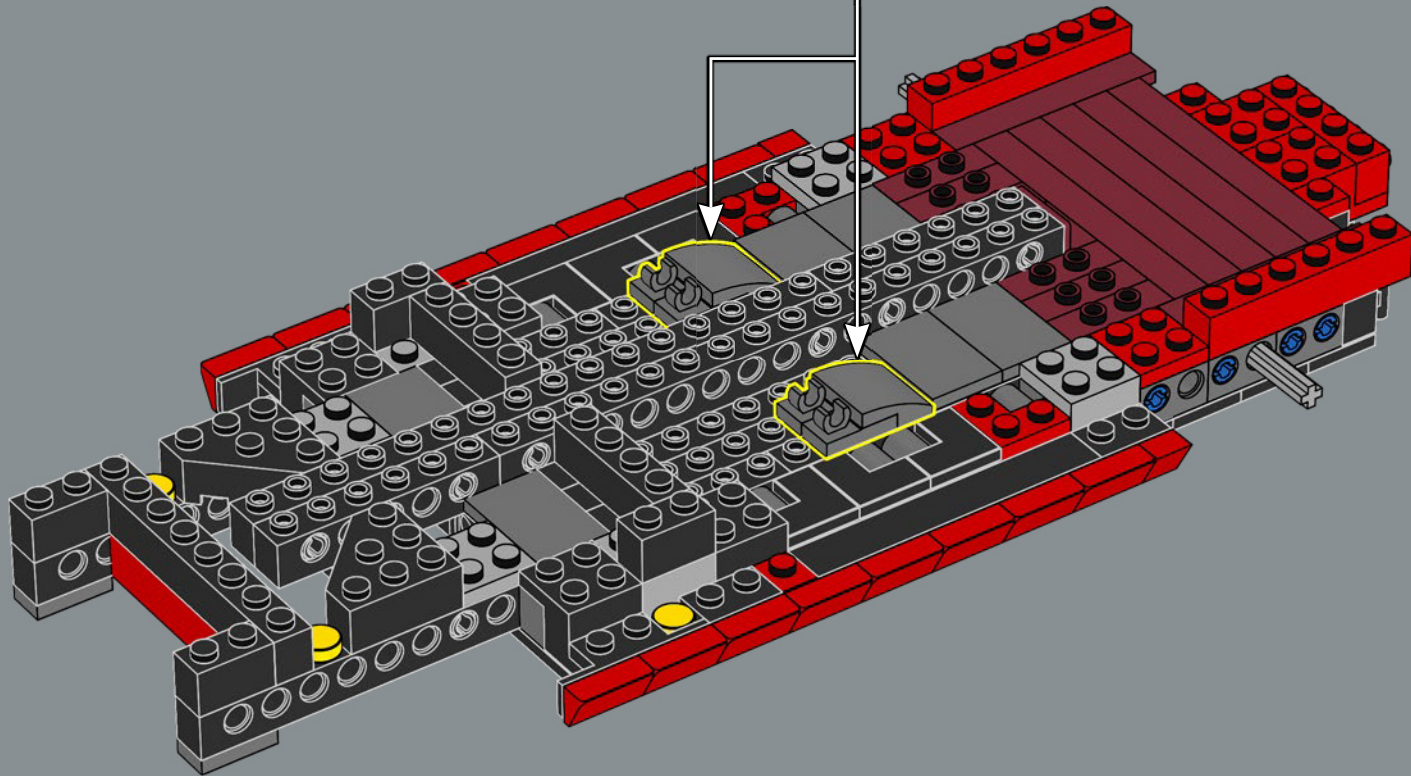
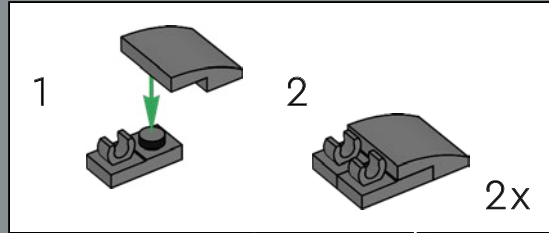


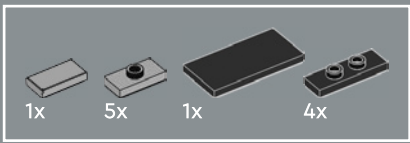
41



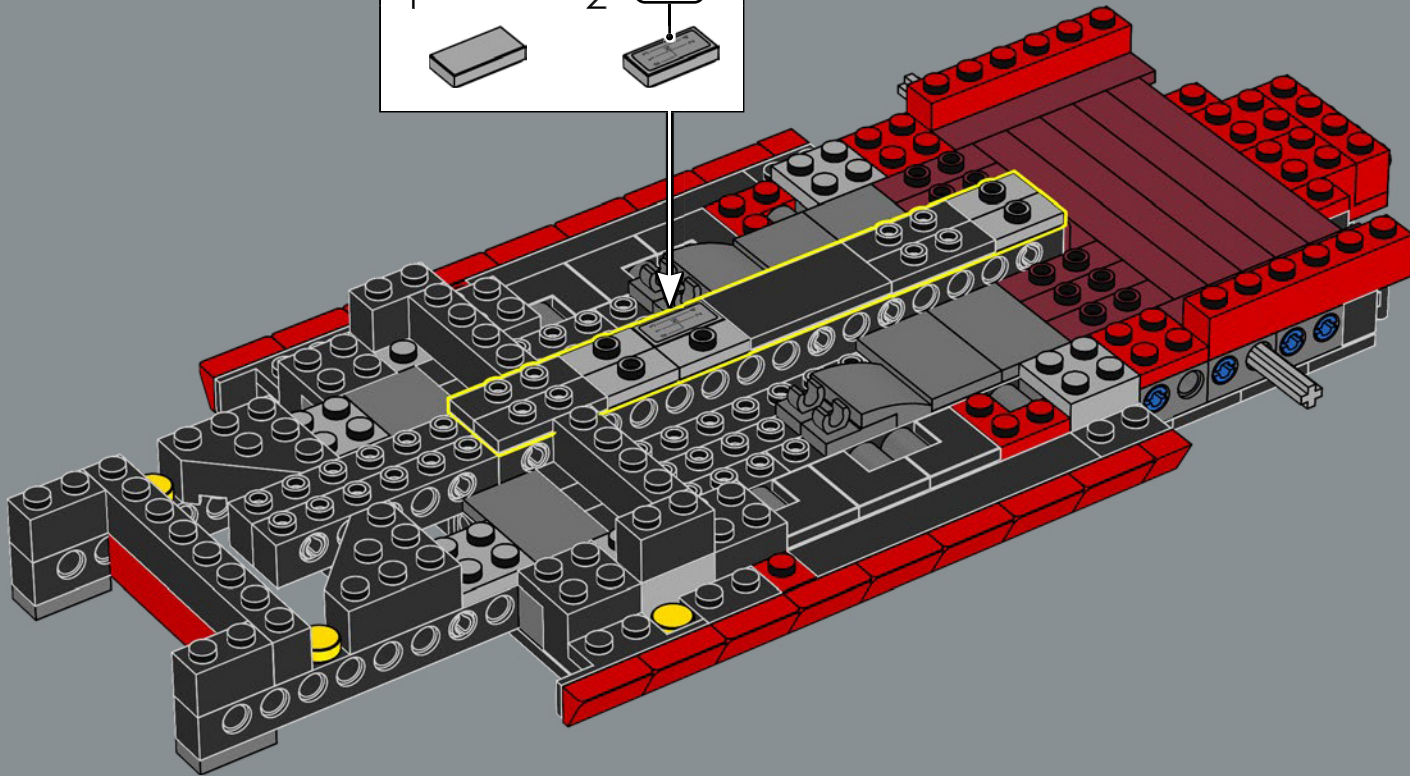
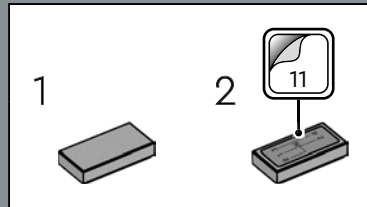


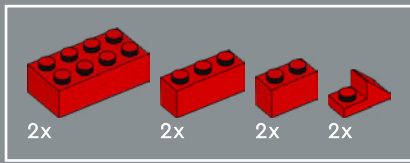
42



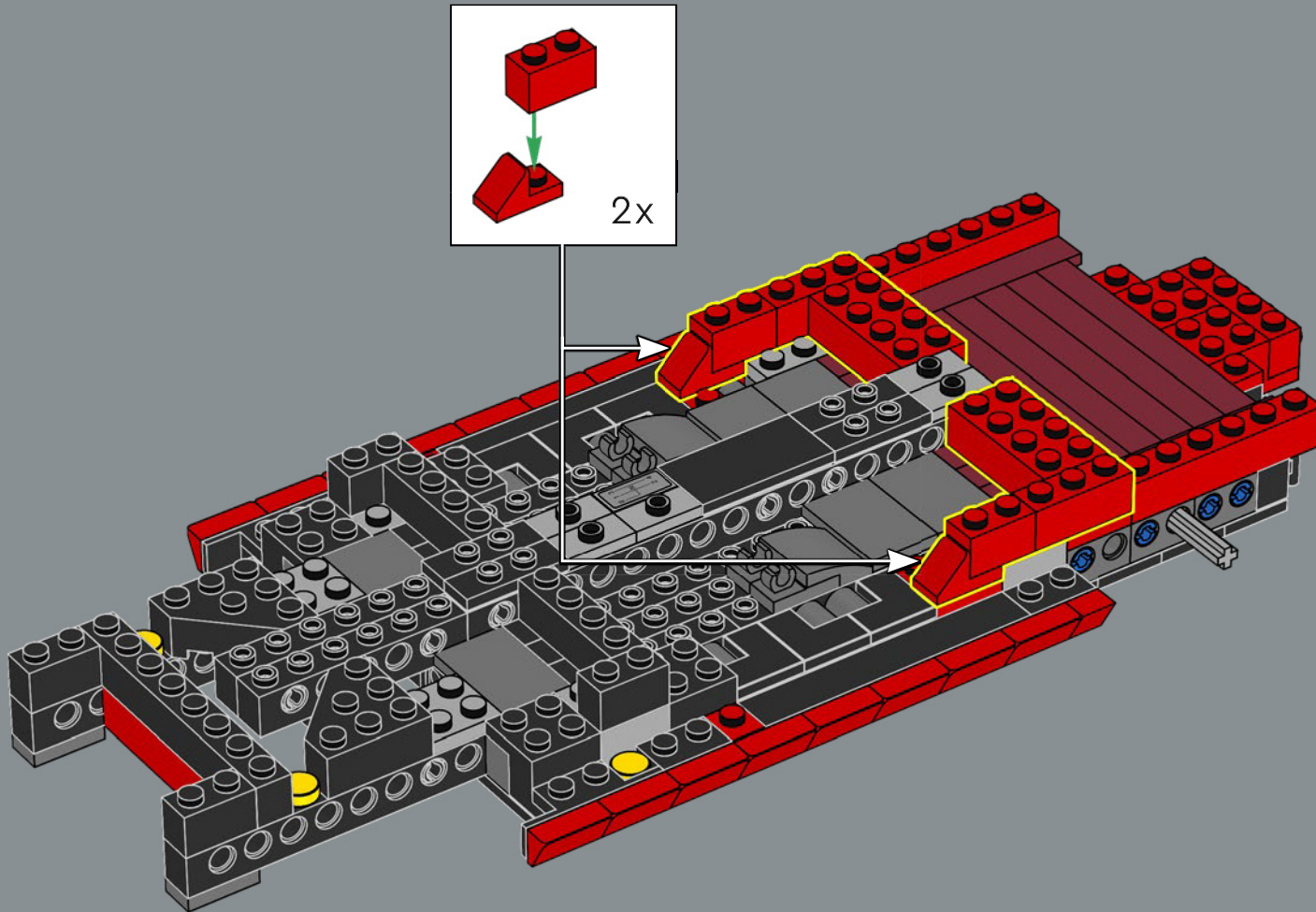


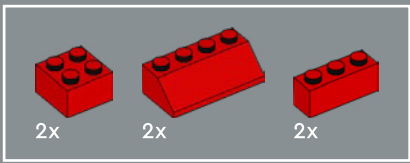
43



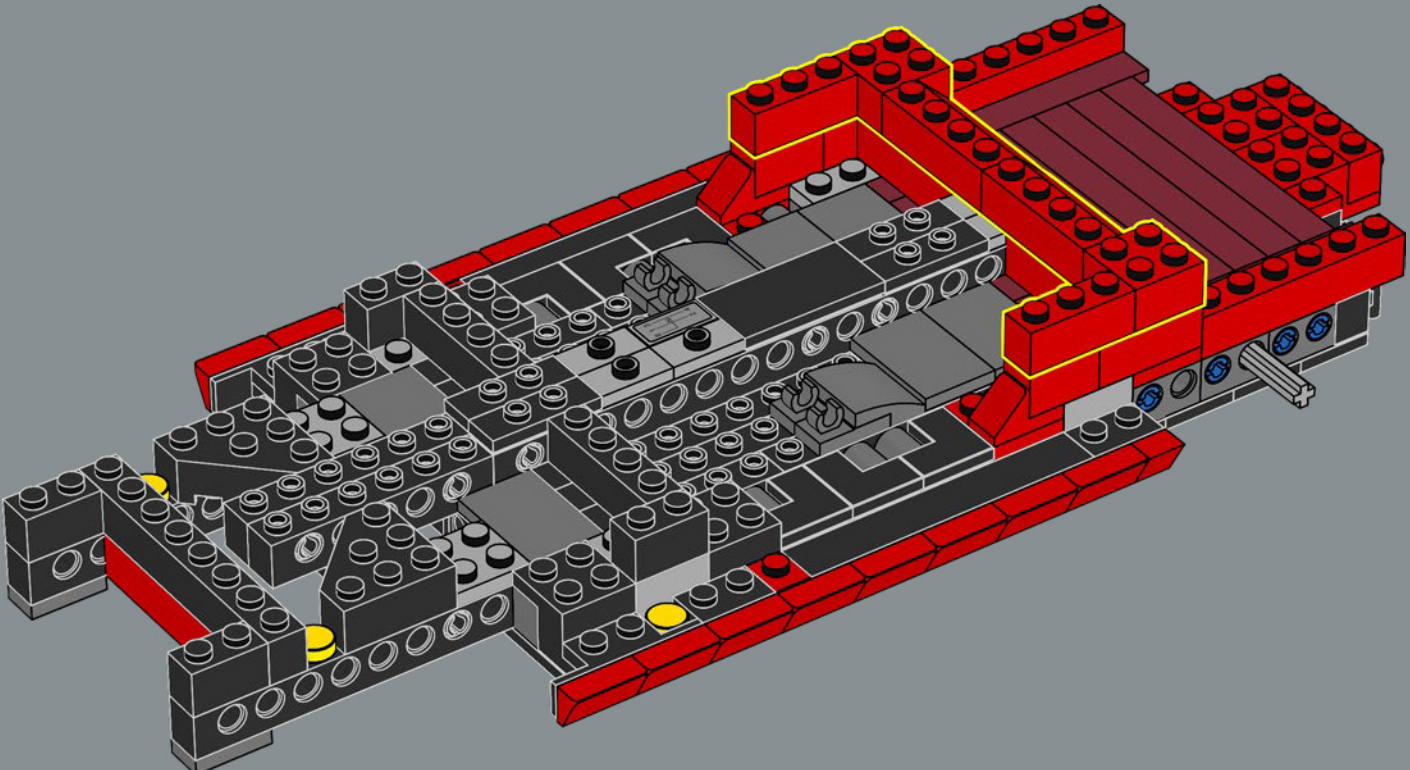


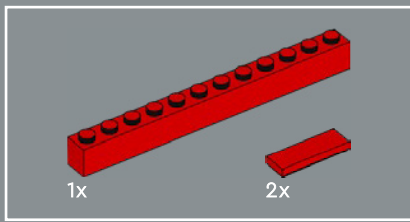
44



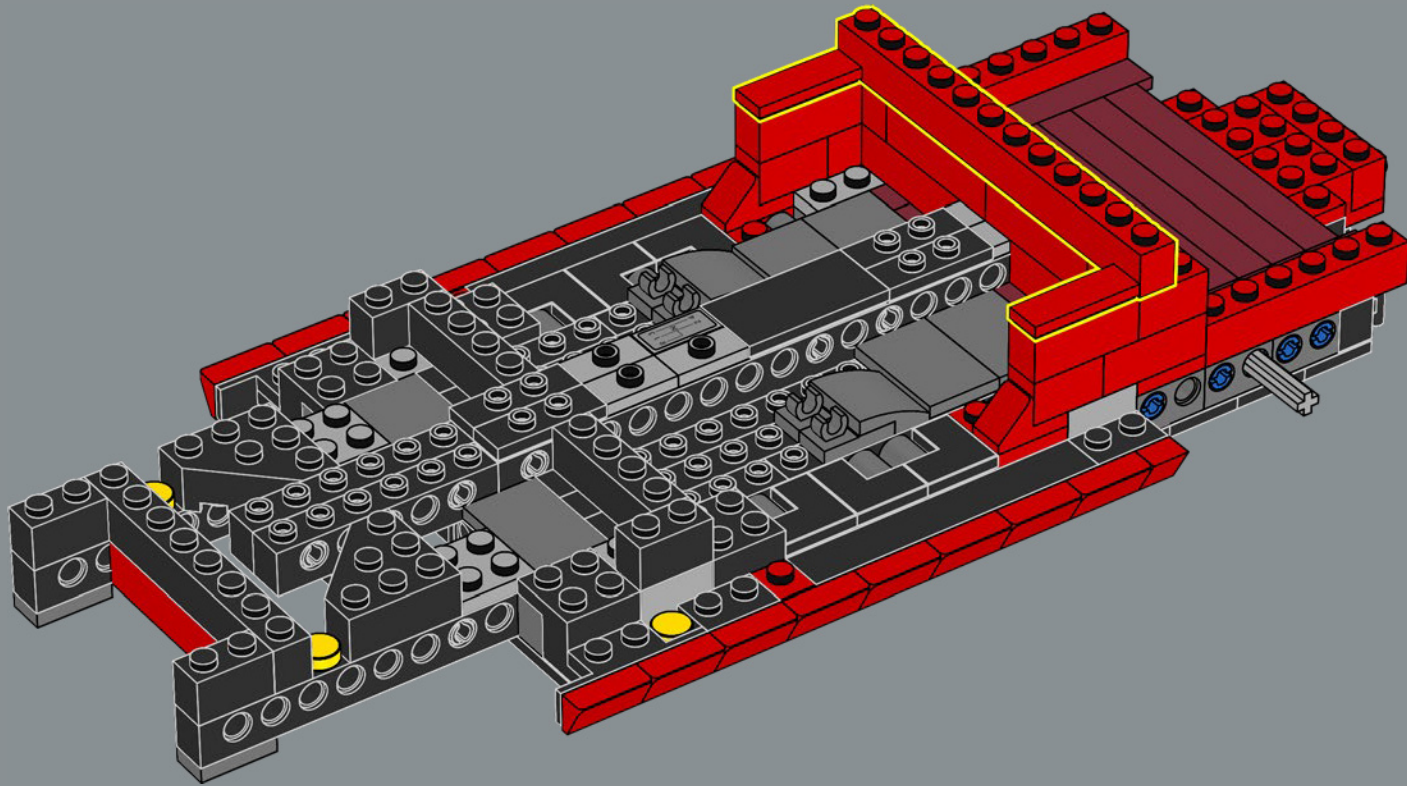


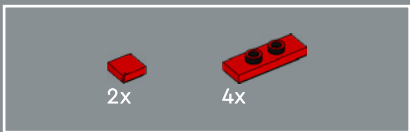
45



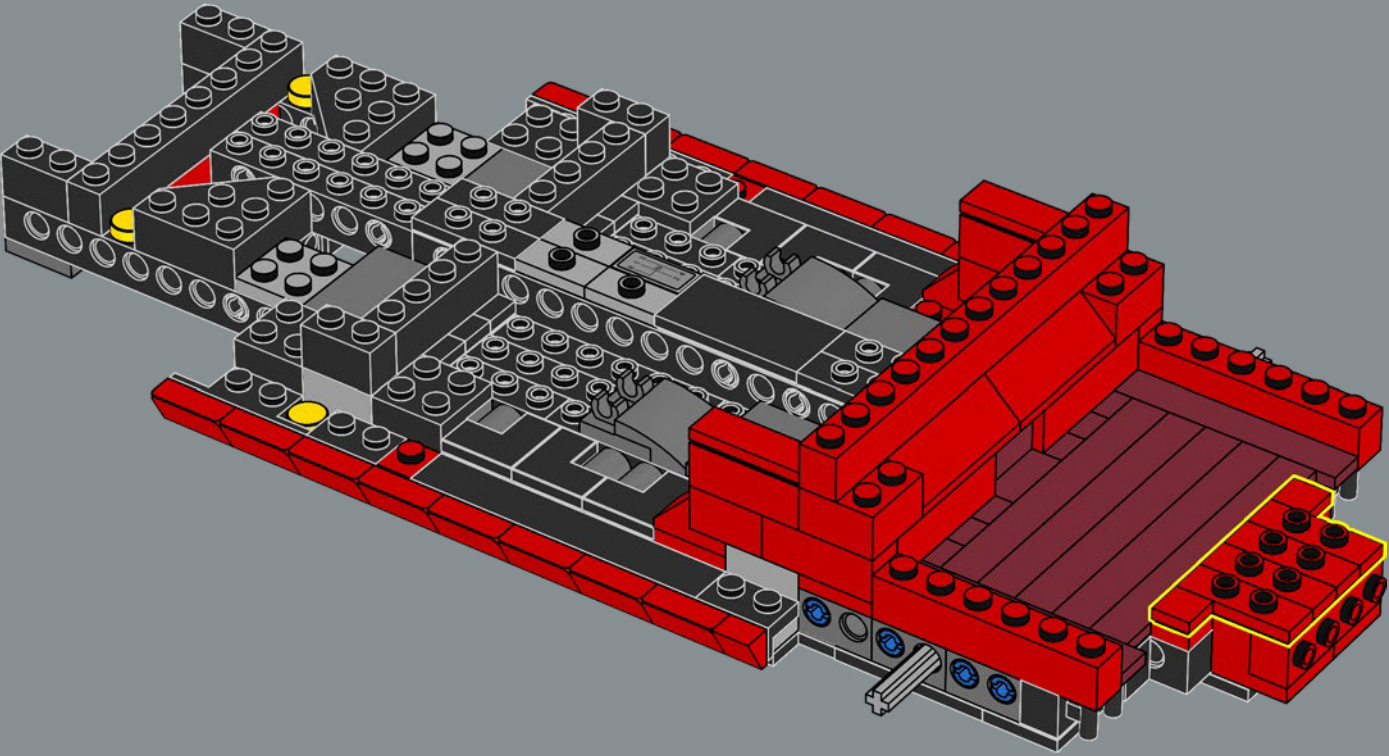


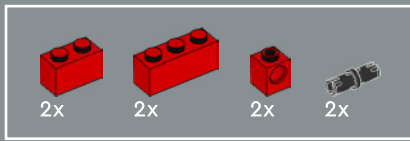
46



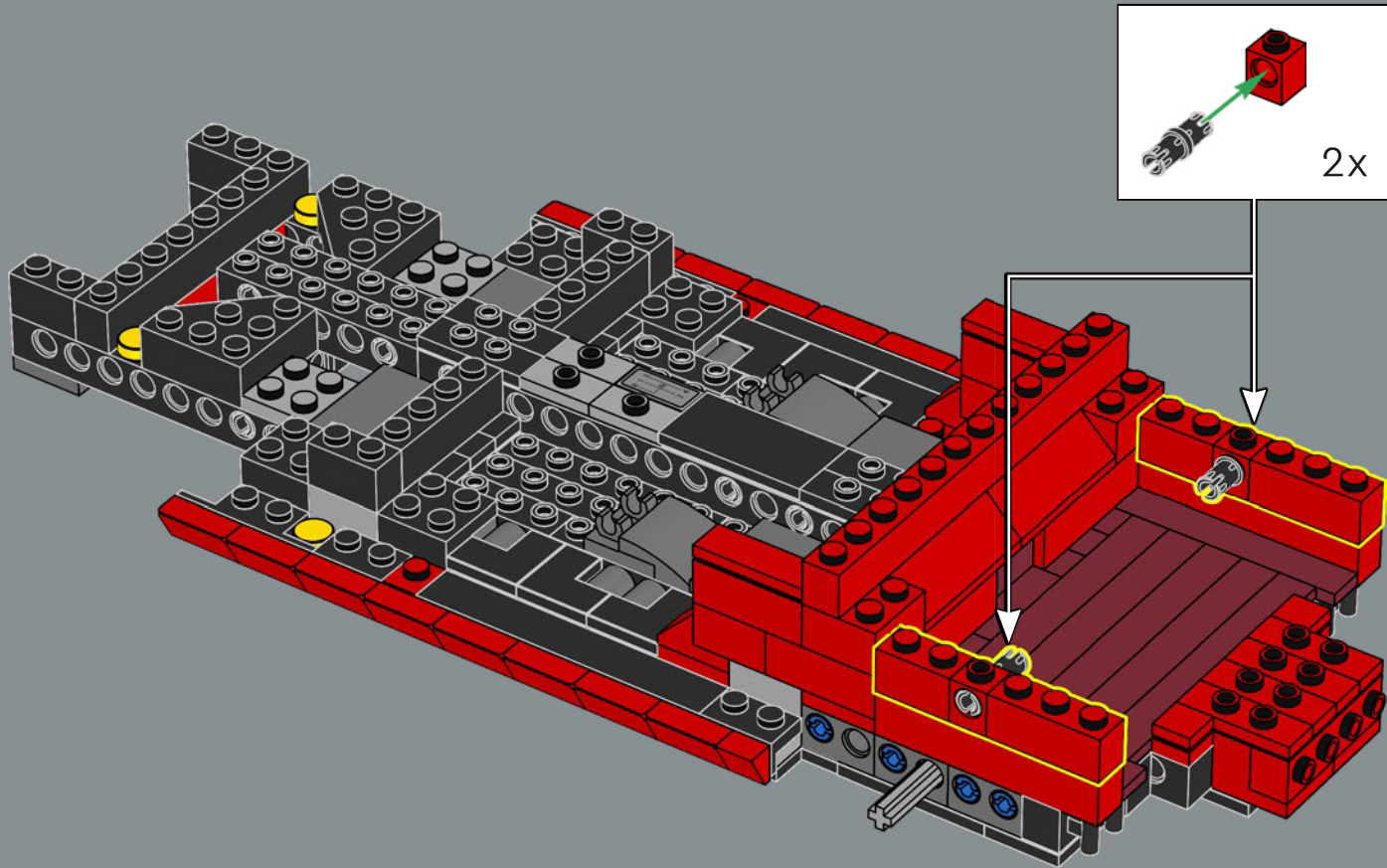


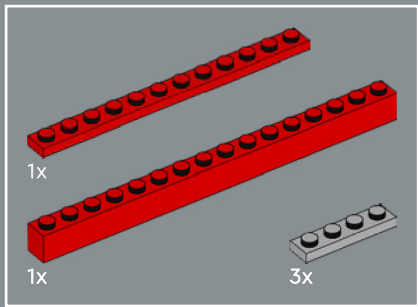
47



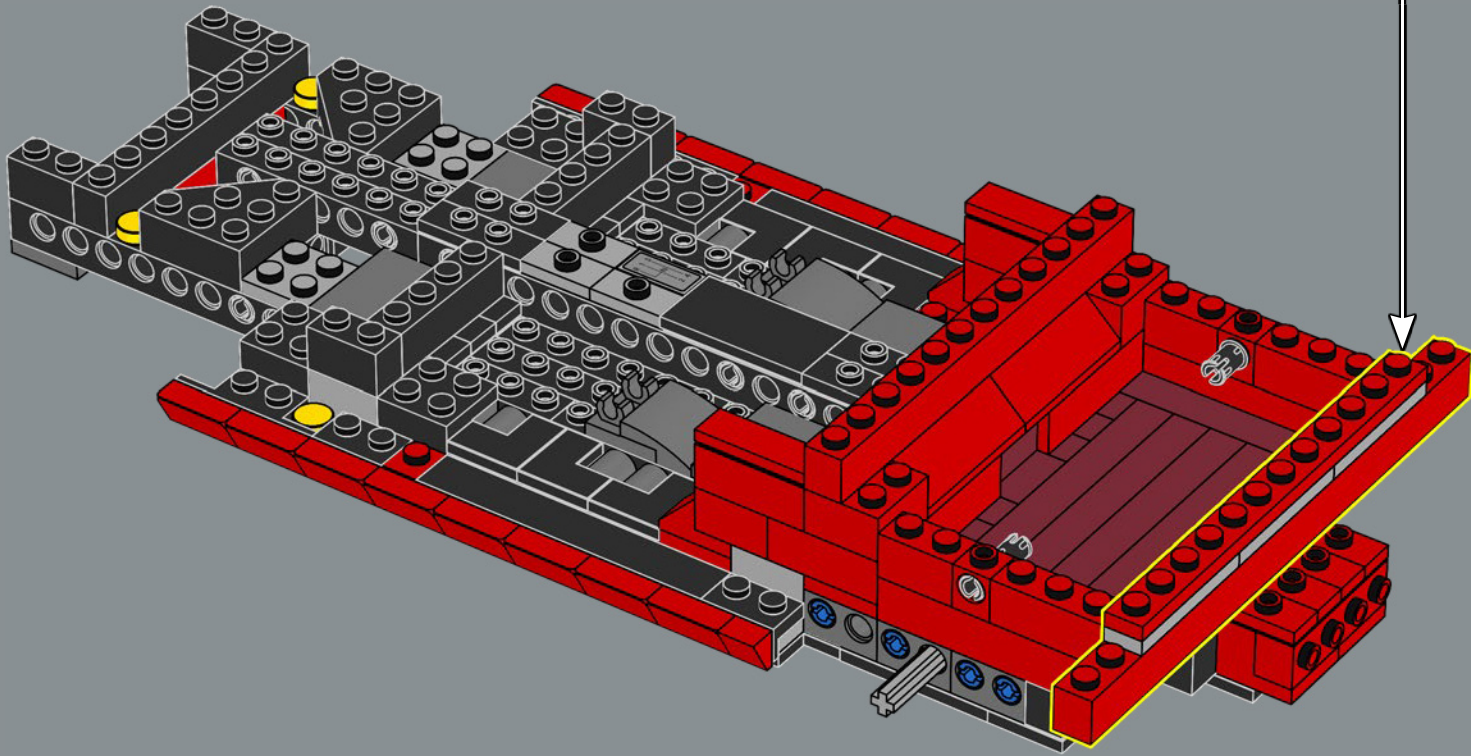
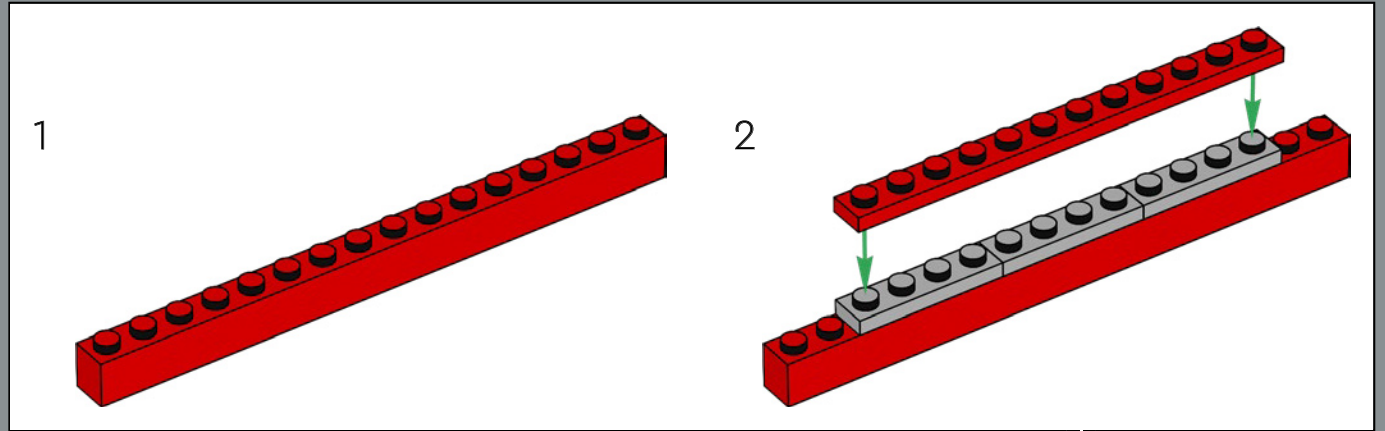


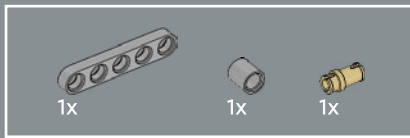
48



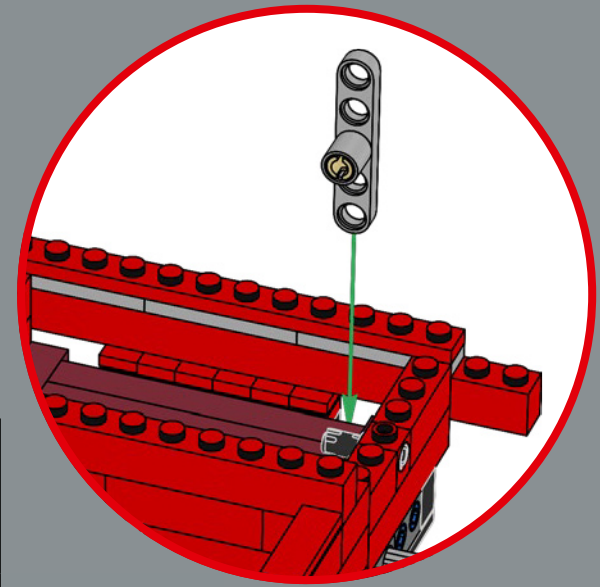
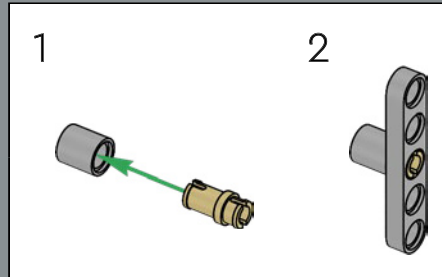
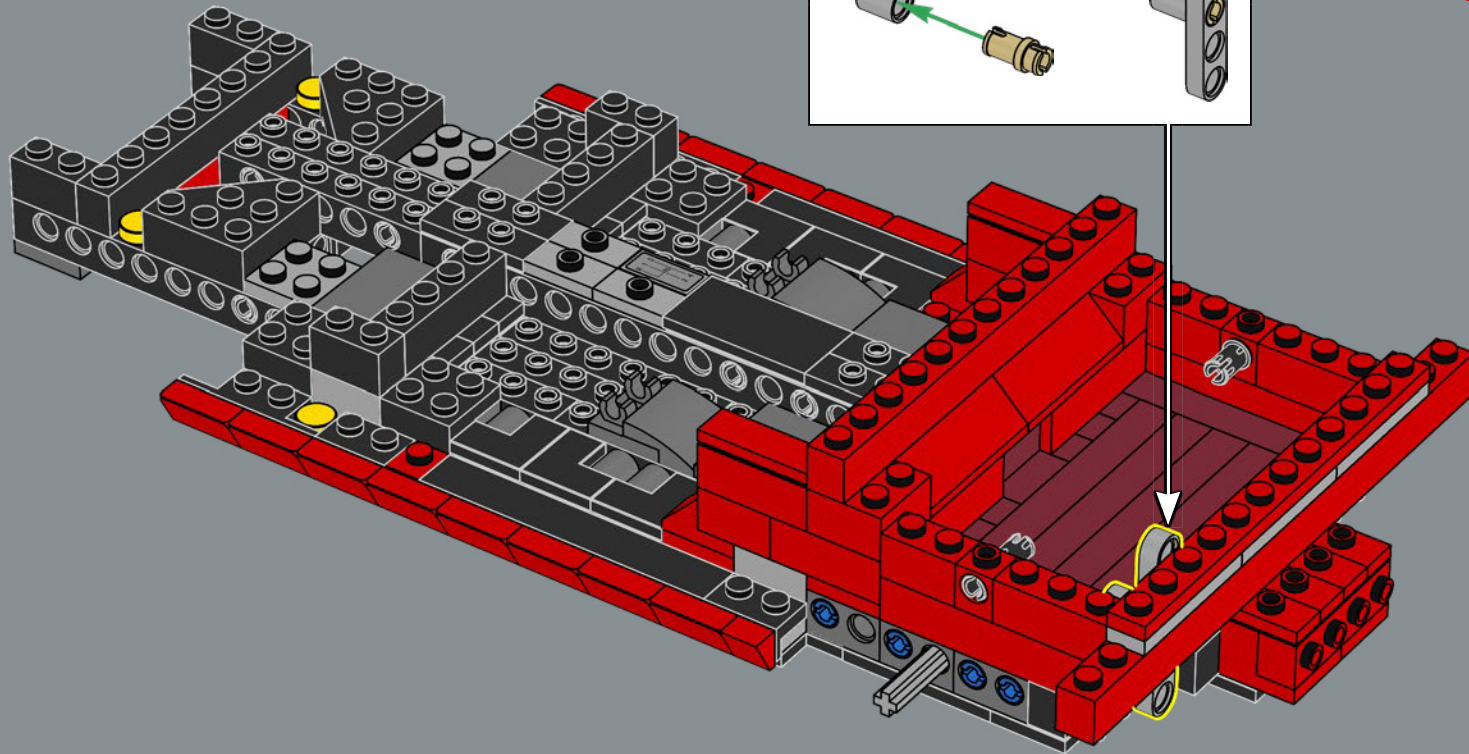


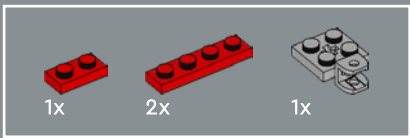
49



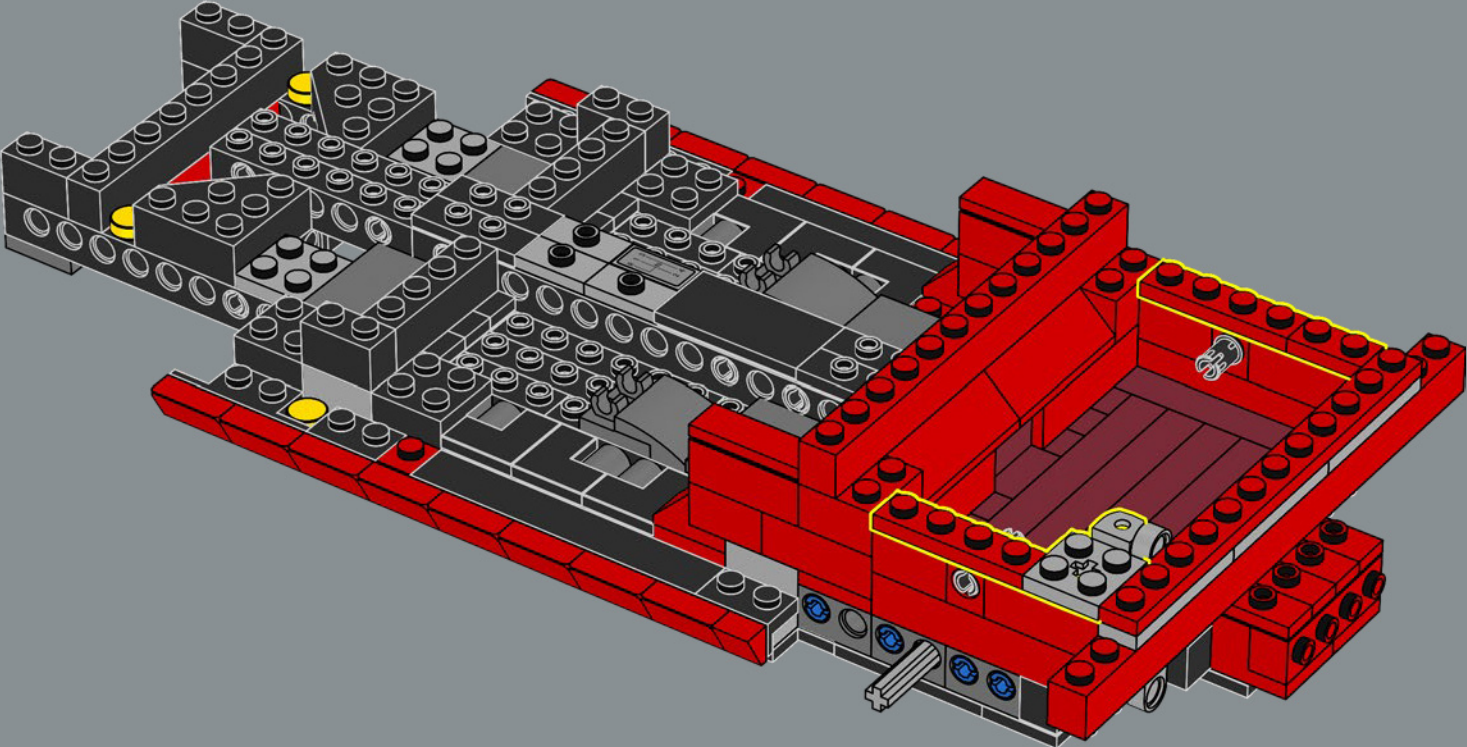


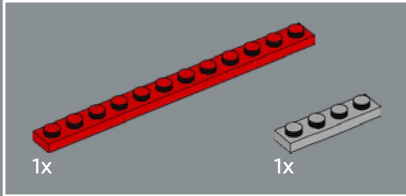
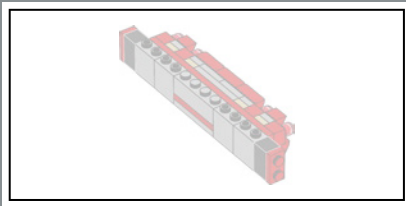
50



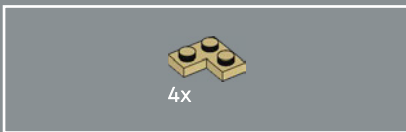
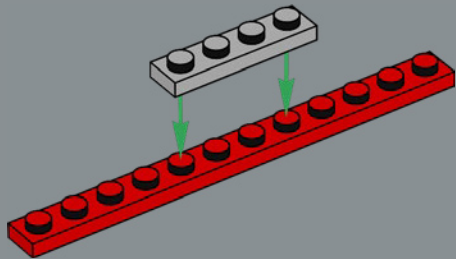


51

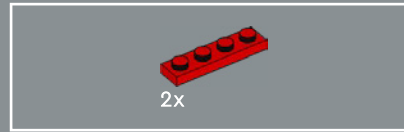
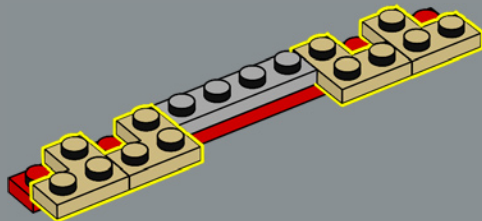




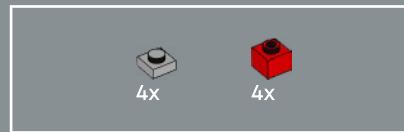
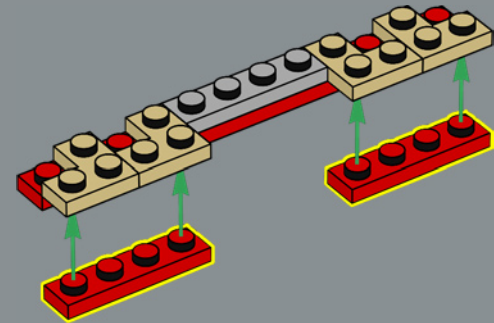
52



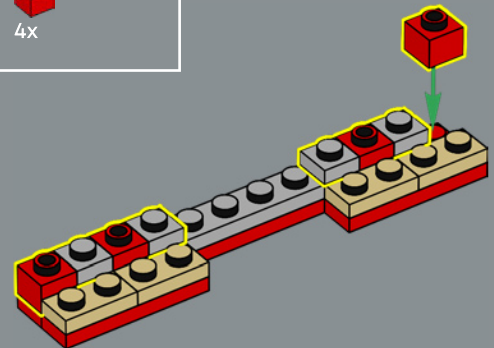
53

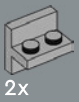


54



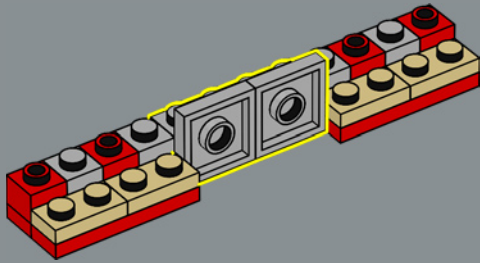
55





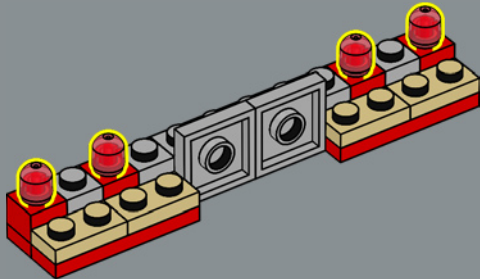
2x

56



4x

57

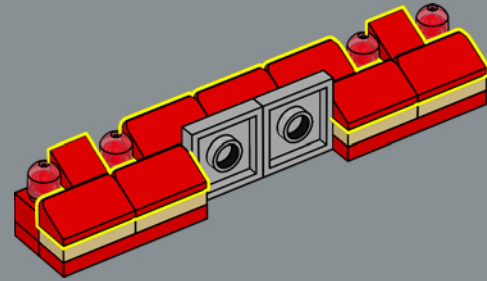


2x



7x

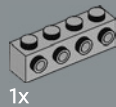
58



1x

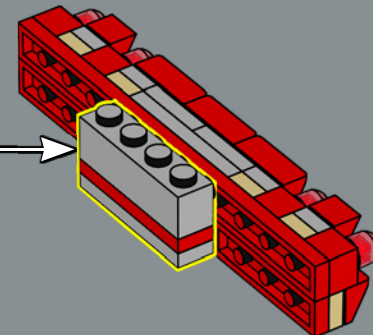
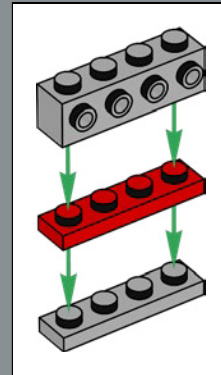


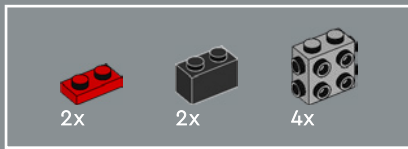
1x



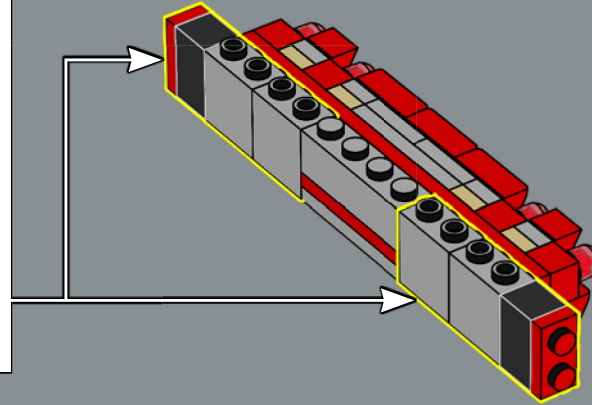
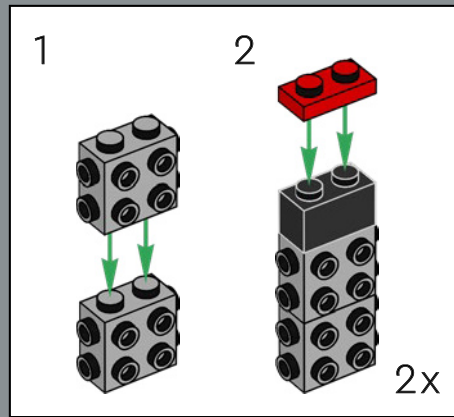
1x

59

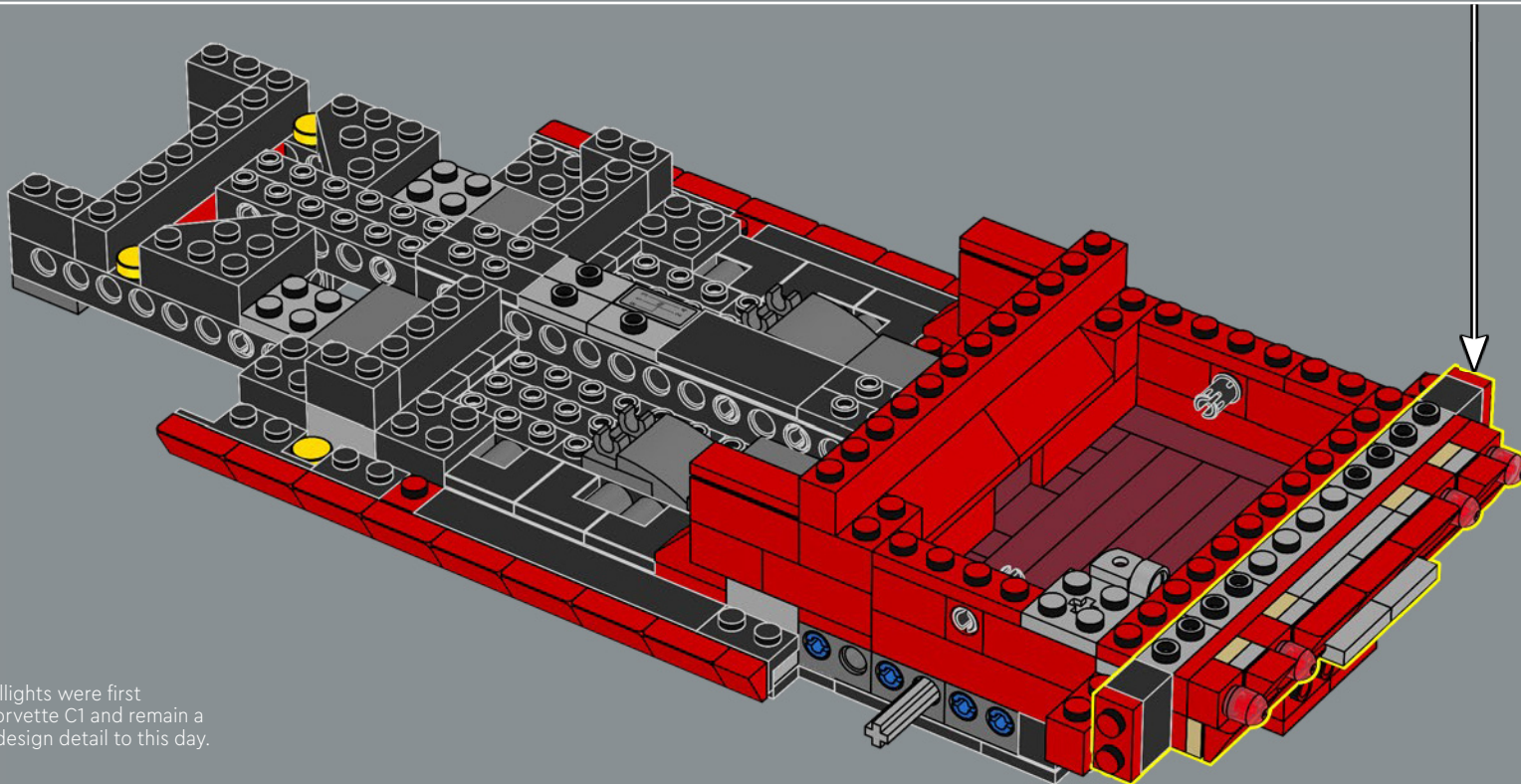




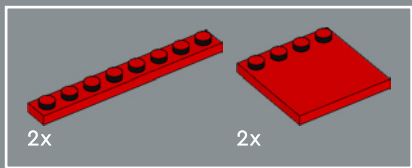
60



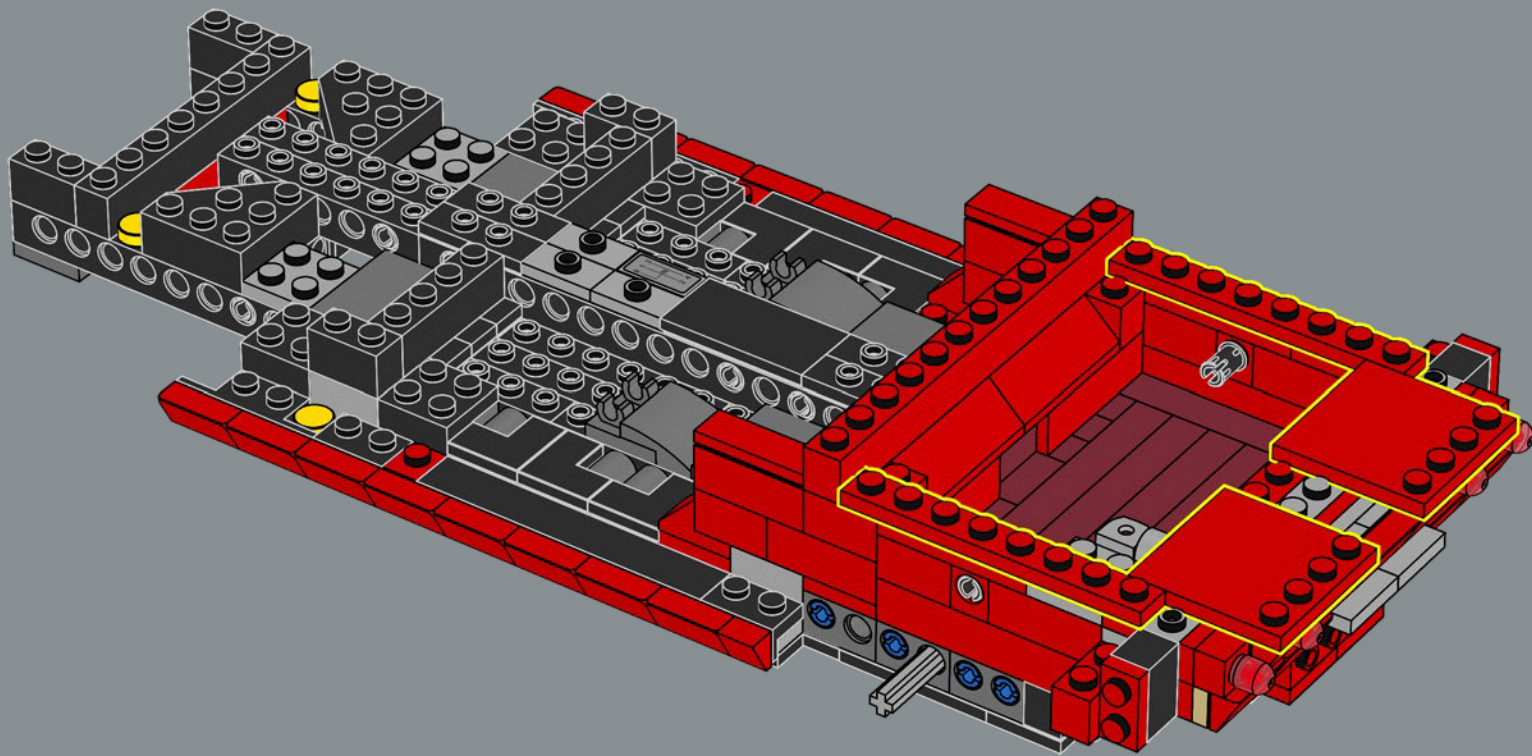
61

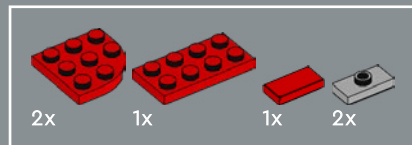


The iconic round taillights were first introduced in the Corvette C1 and remain a signature Corvette design detail to this day.

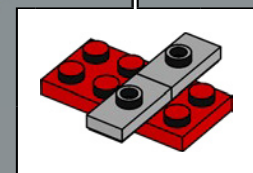
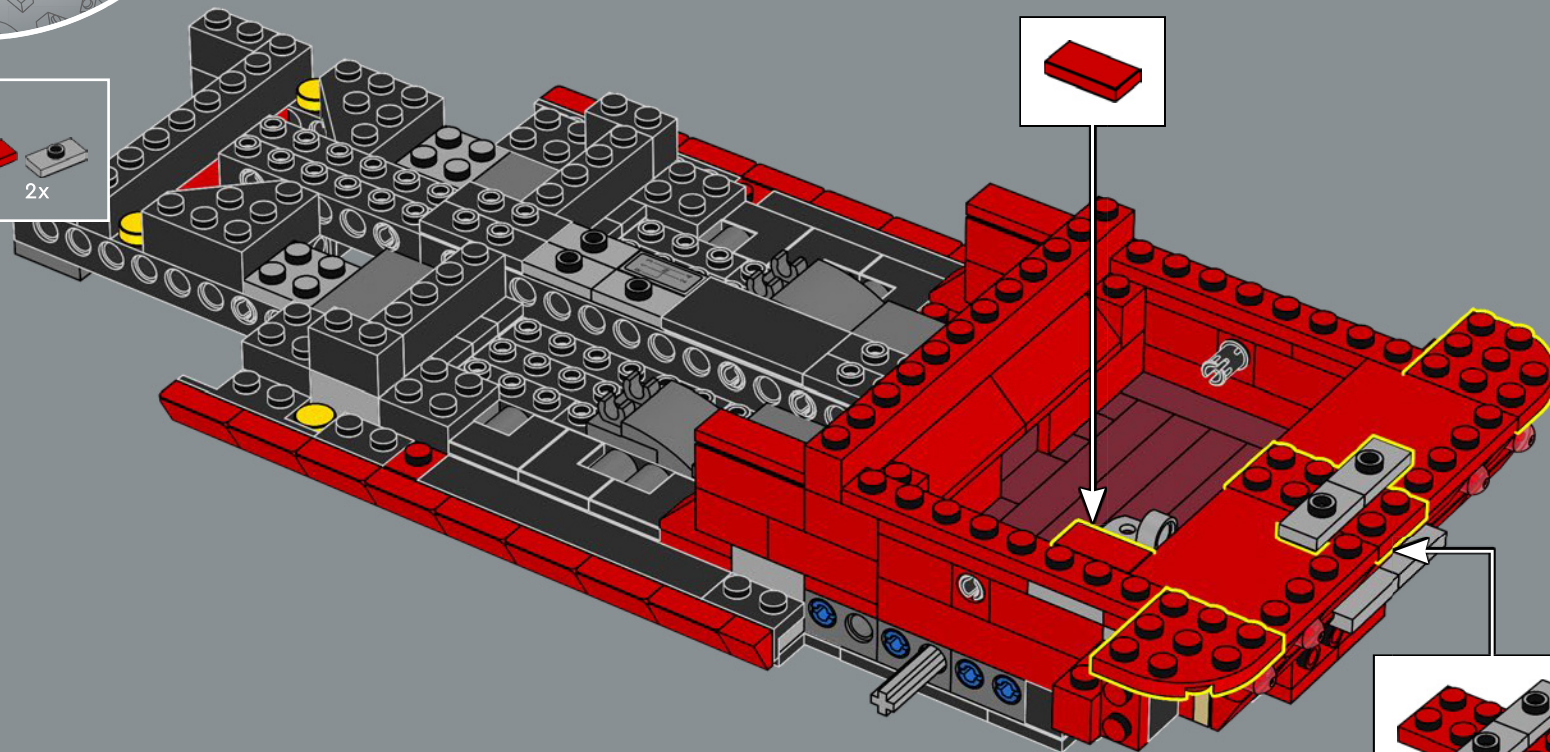


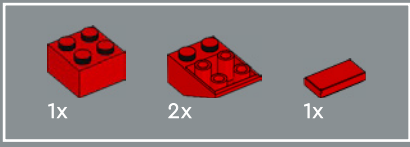
62



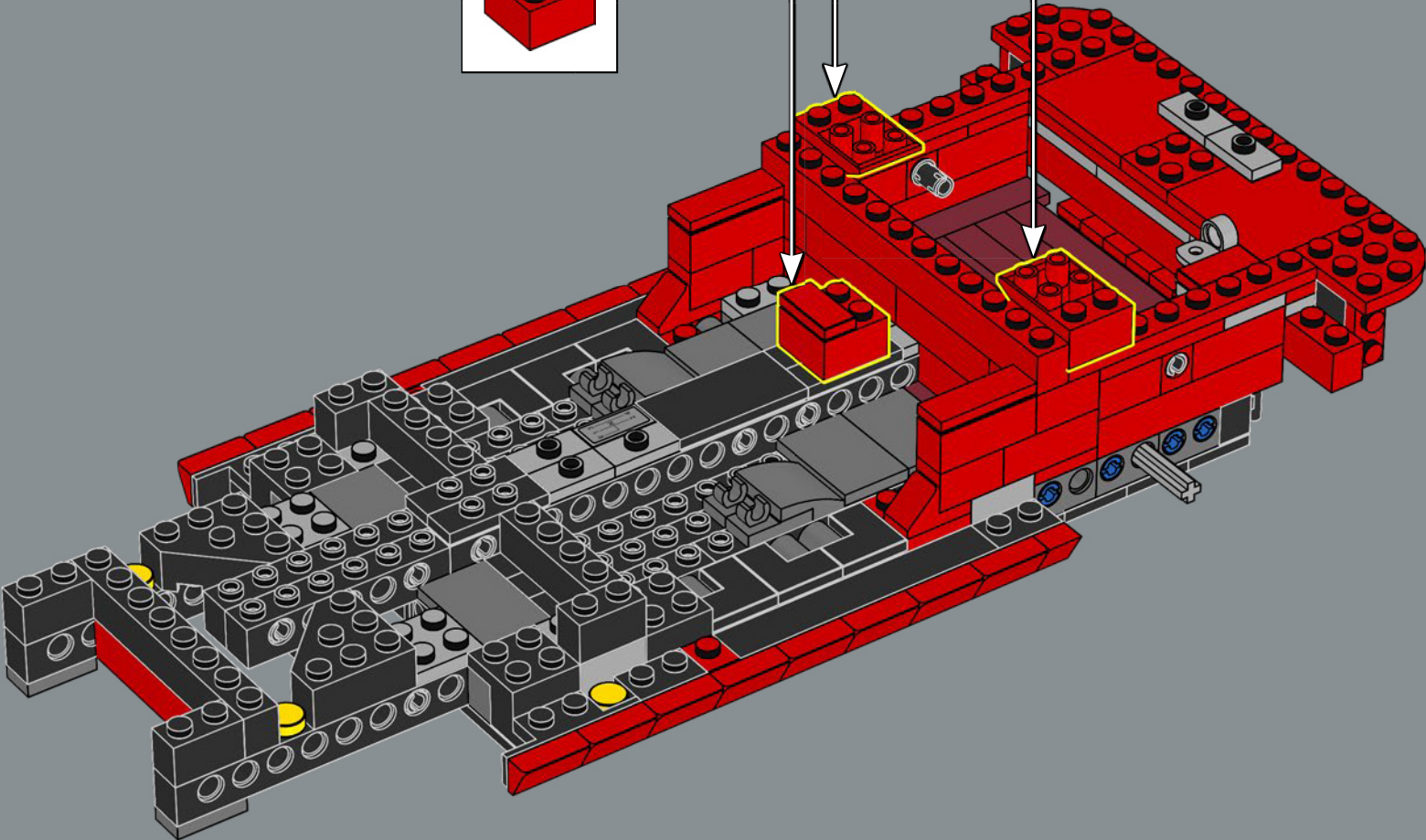
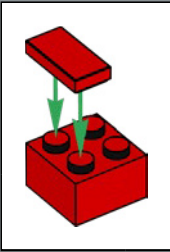
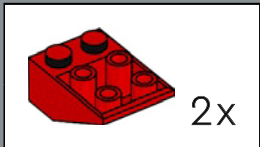


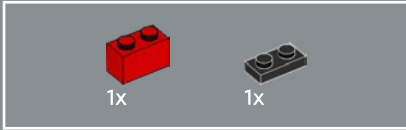
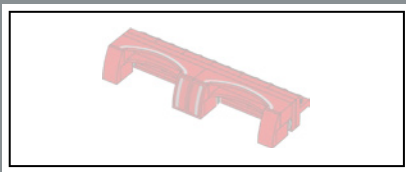
63



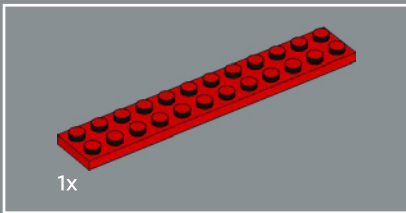
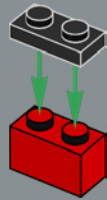


64

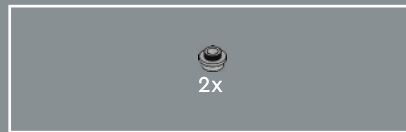
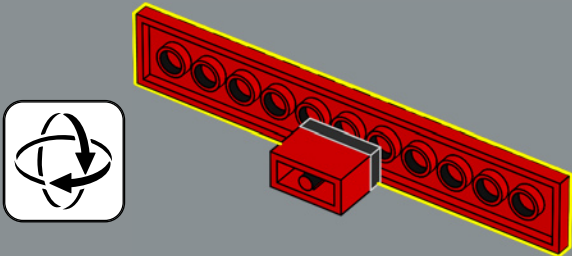




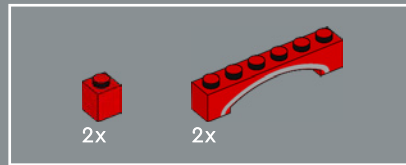
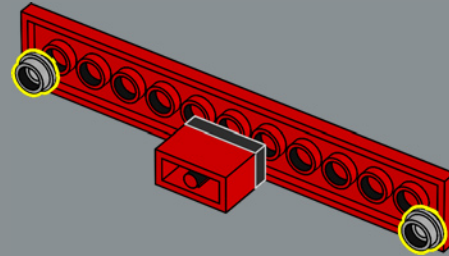
65



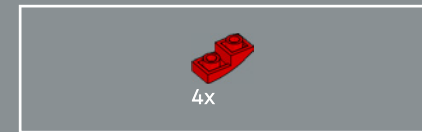
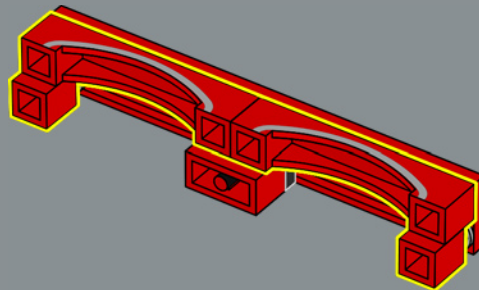
66



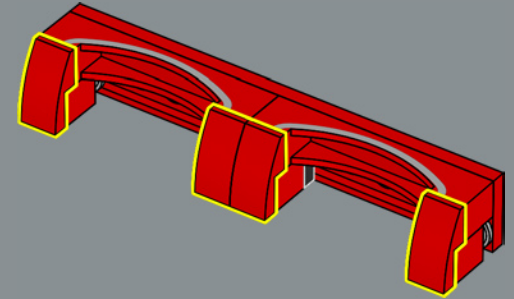
67



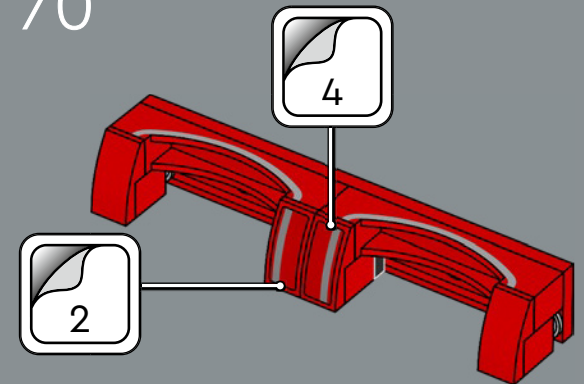
68

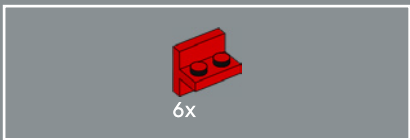


69

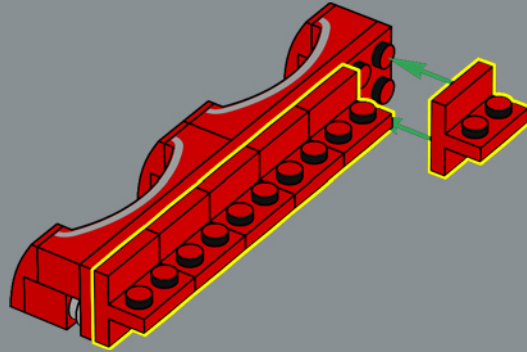


70

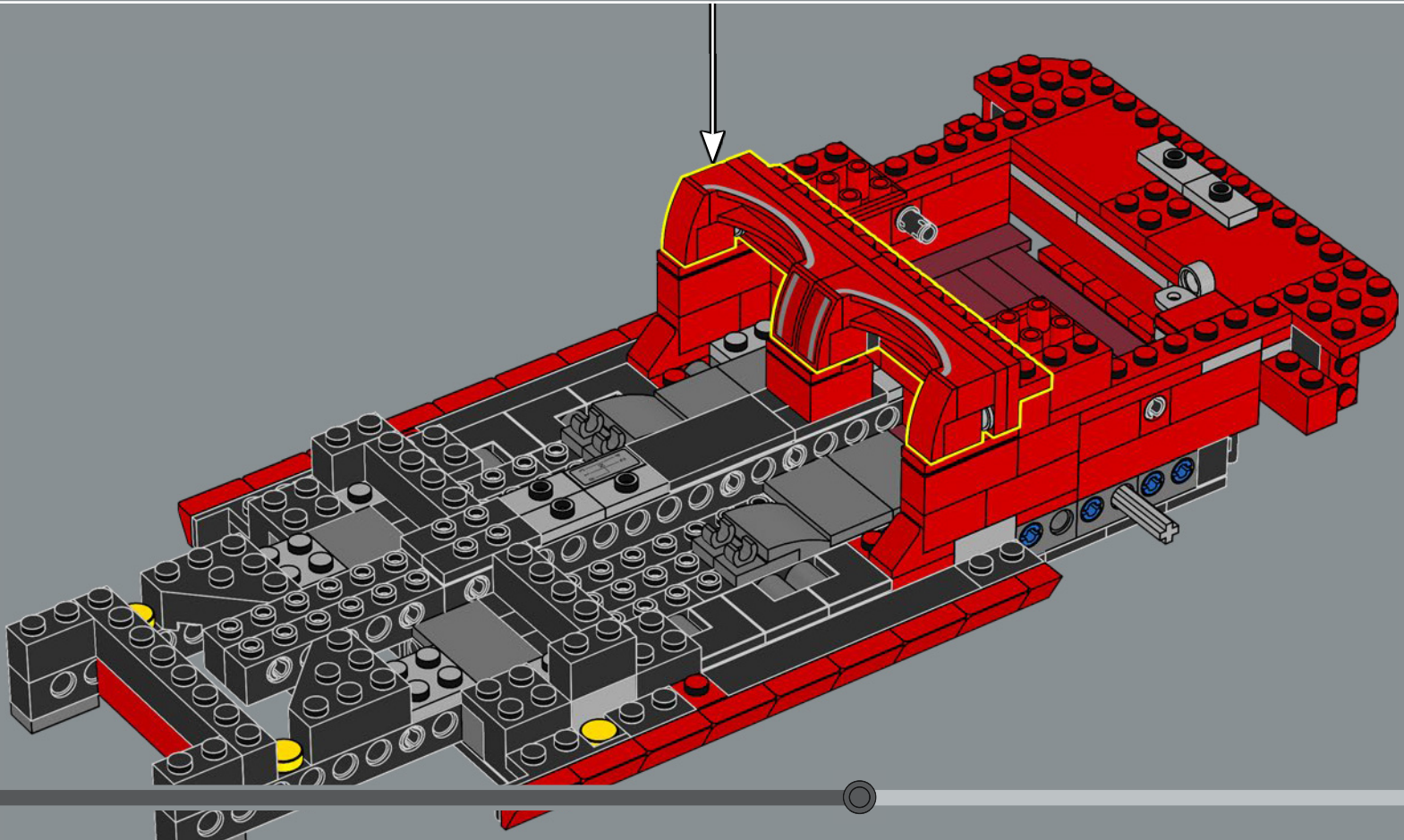


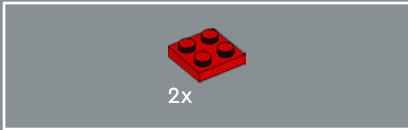
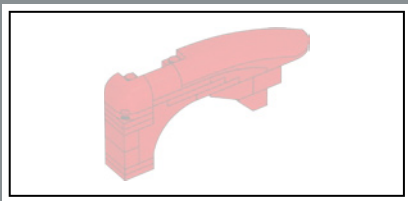


71

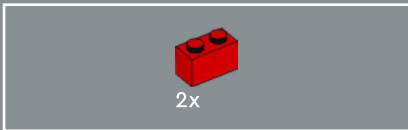
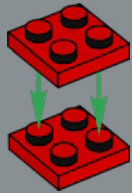


72

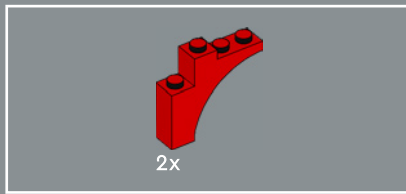
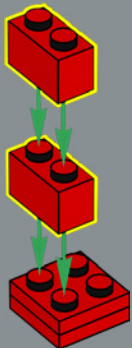




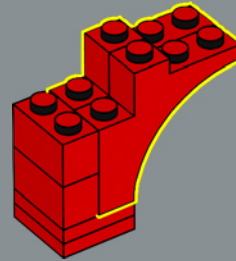
73



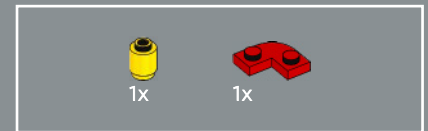
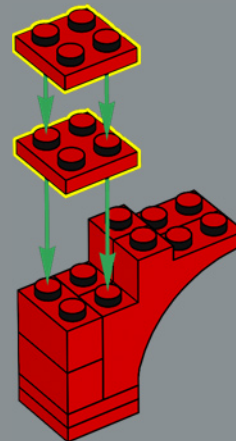
74



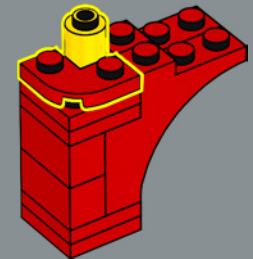
75

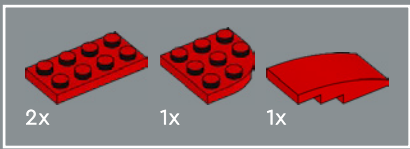


76

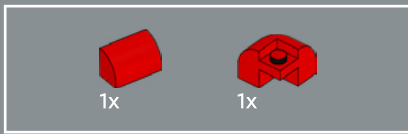
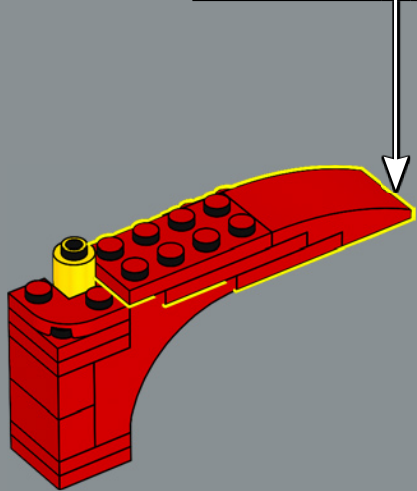
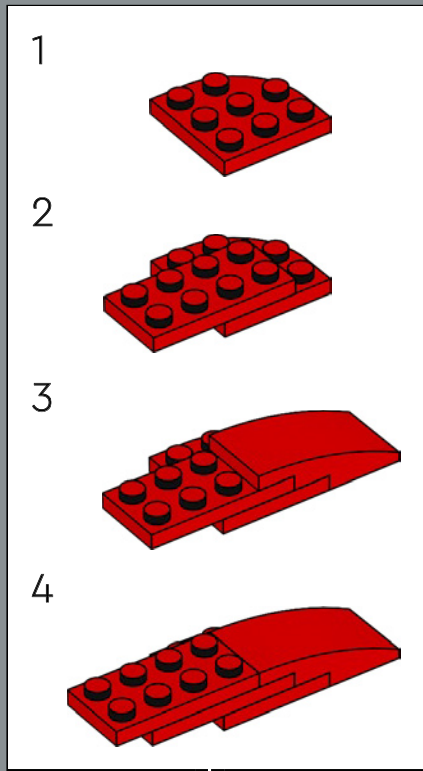


77

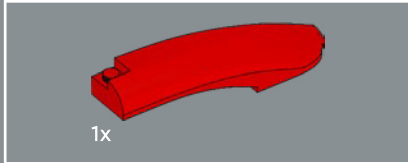
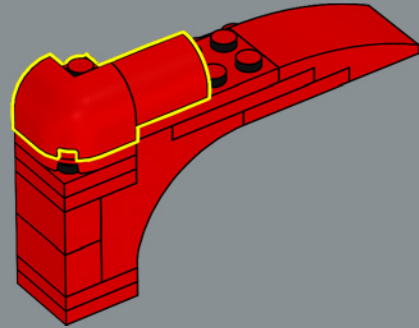




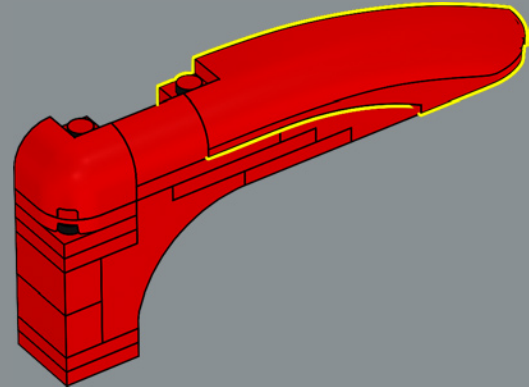
78

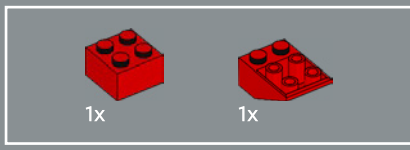


79

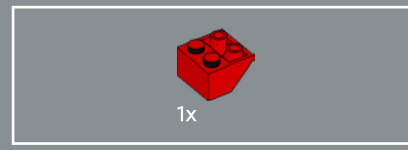
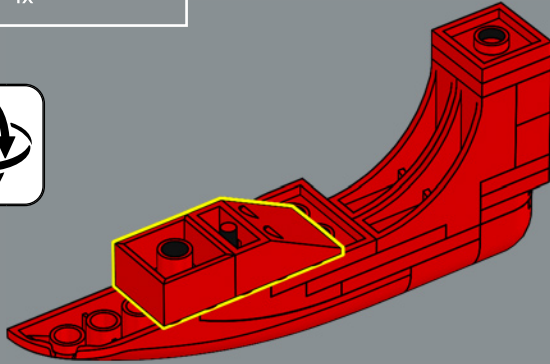


80

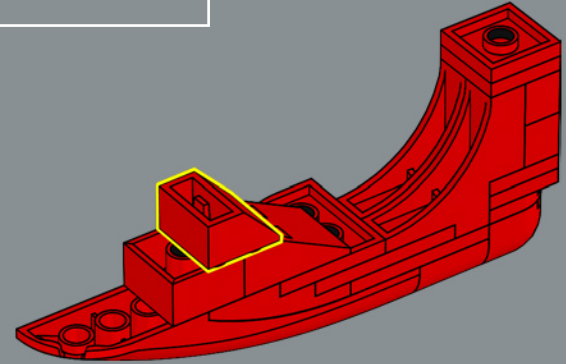




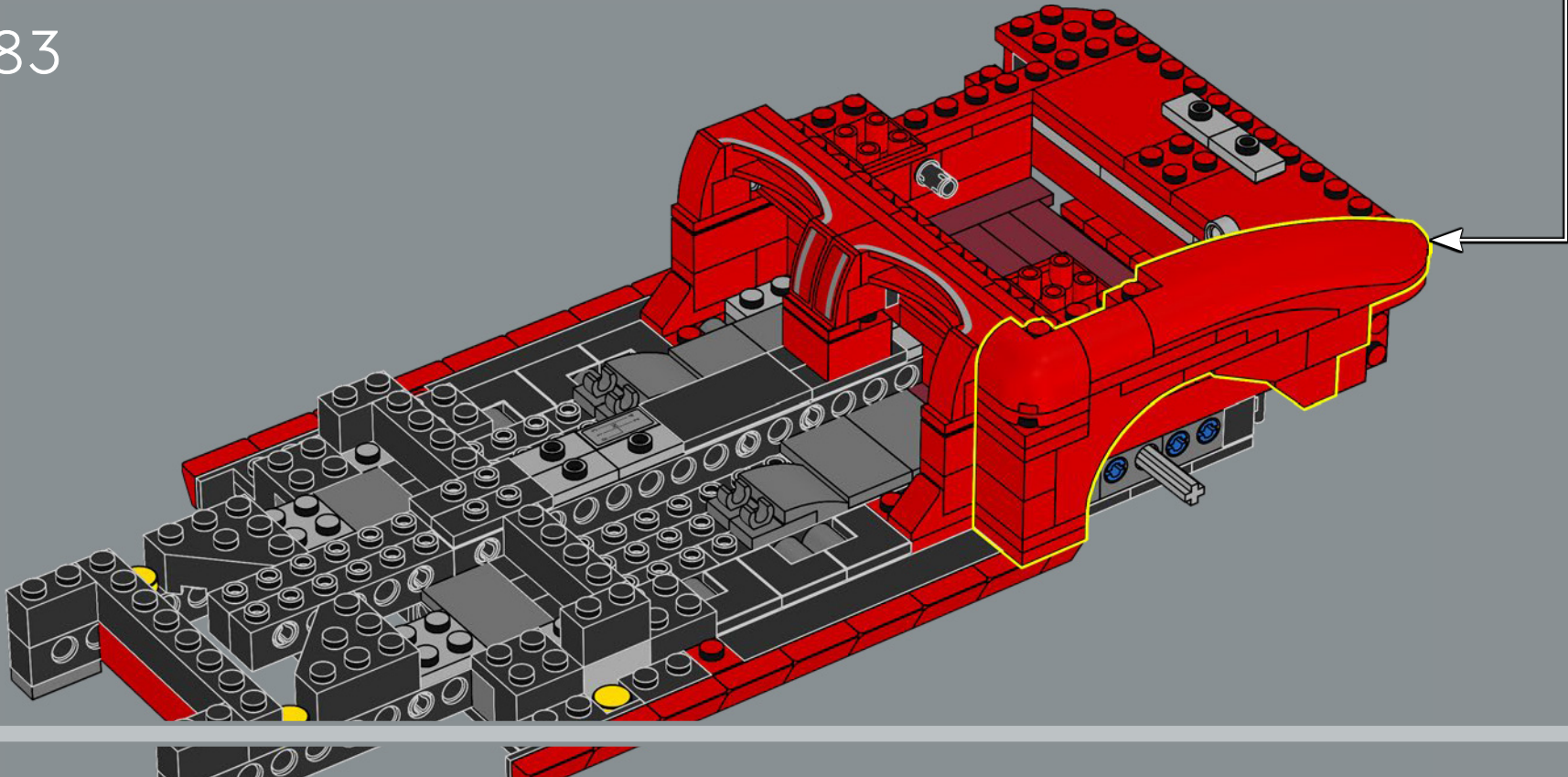
81

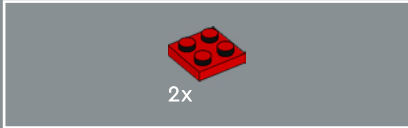
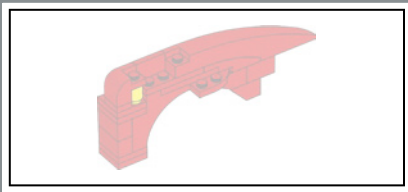


82

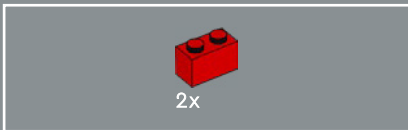
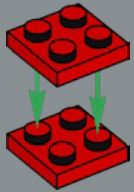


83

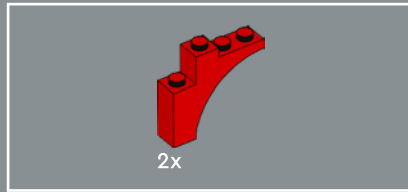
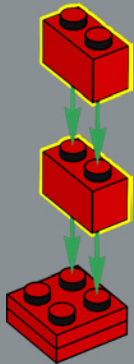




84

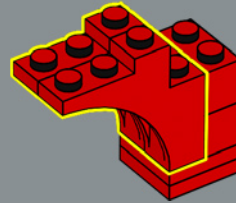


85



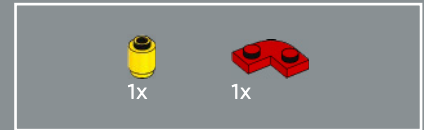
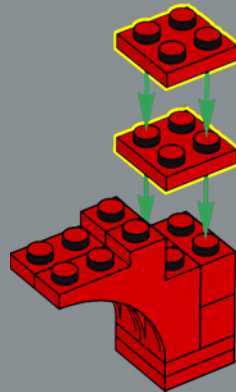
86

2x



87

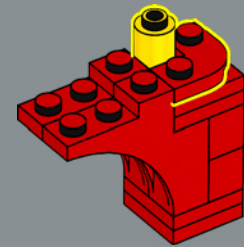
2x

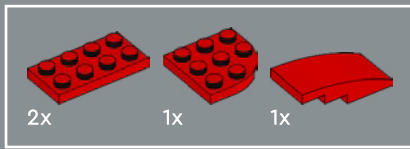


88

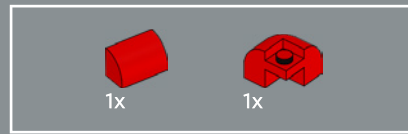
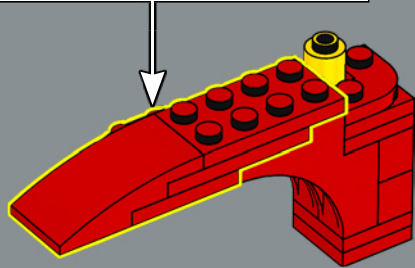
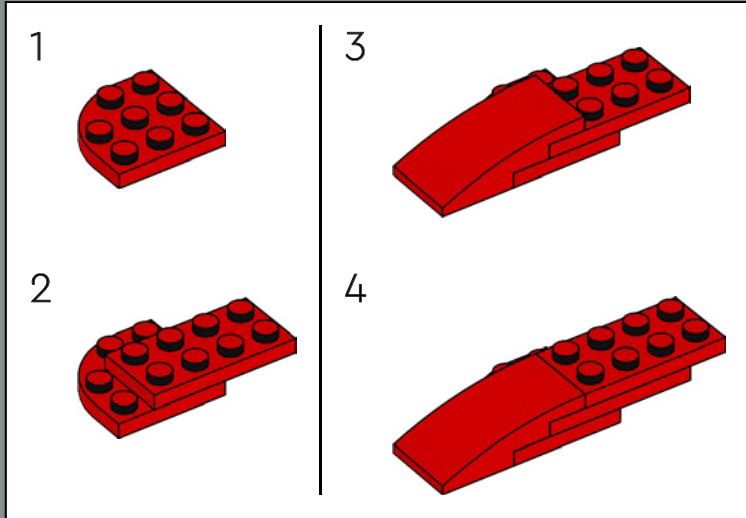
1x

1x

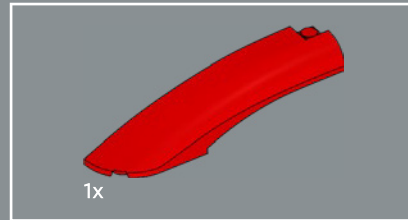
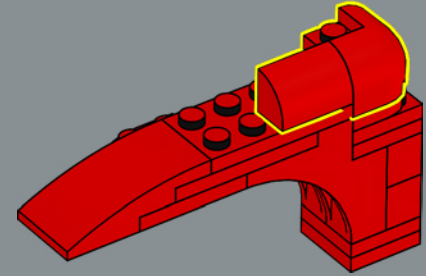




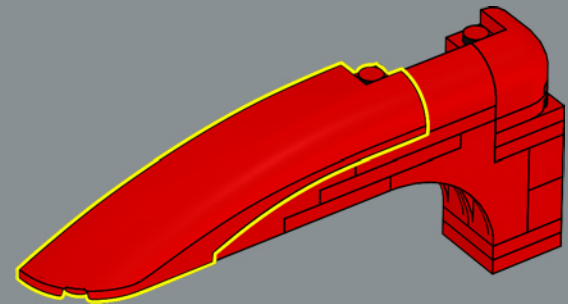
89

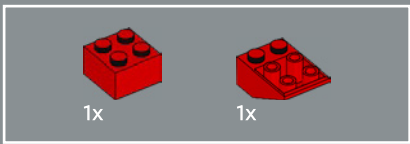


90

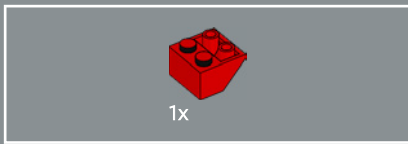
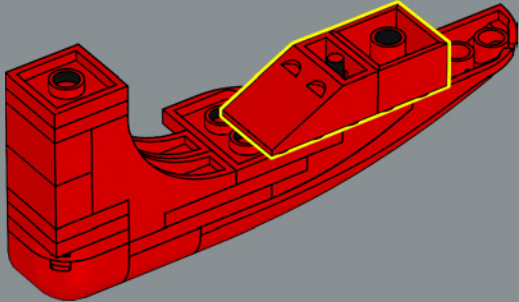


91

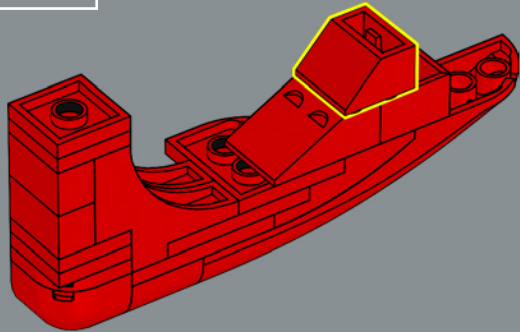




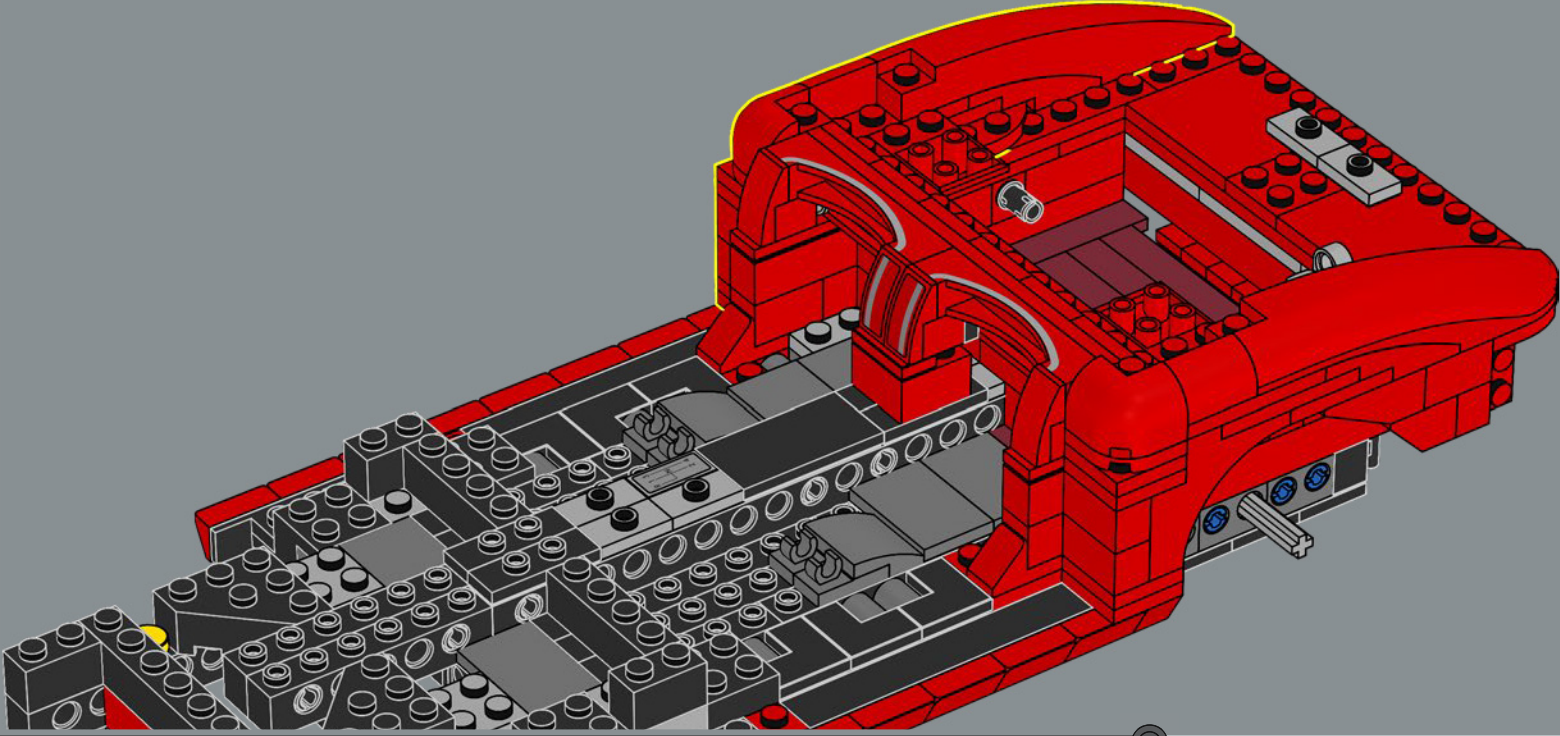
92

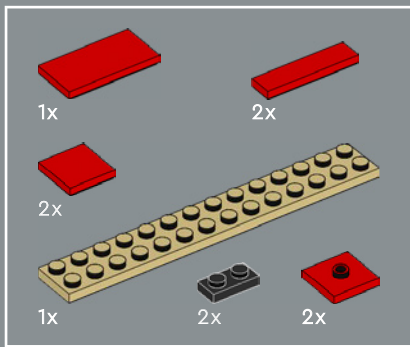


93

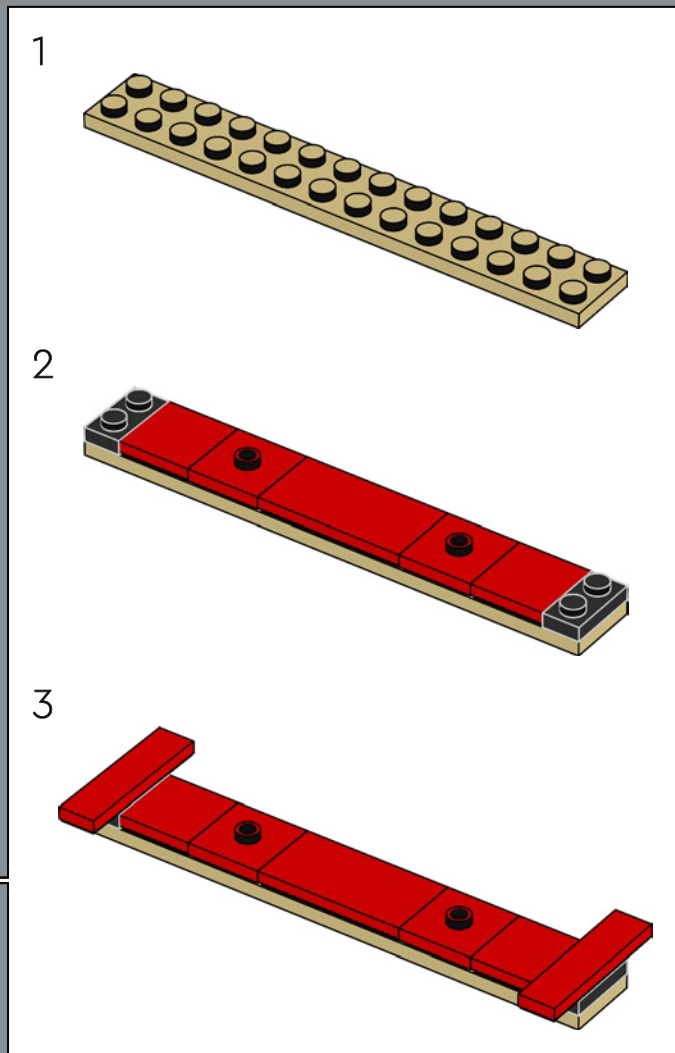
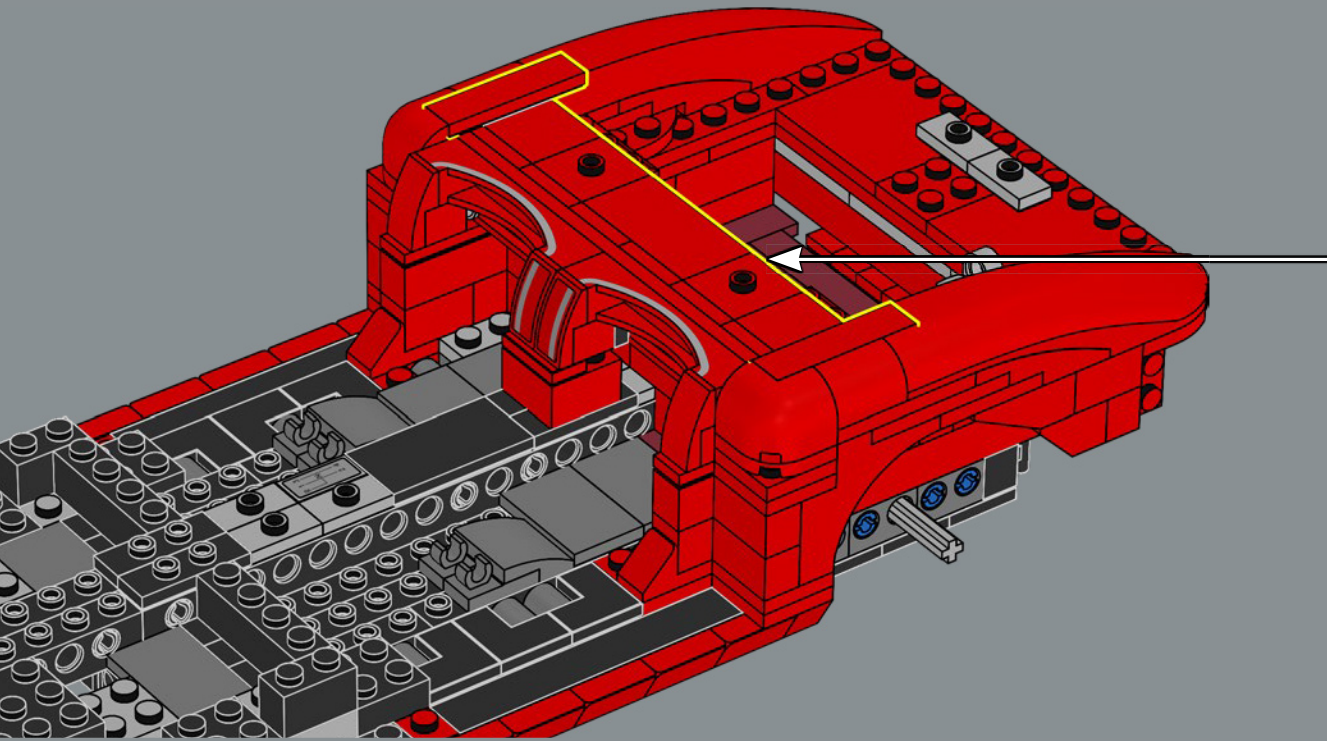


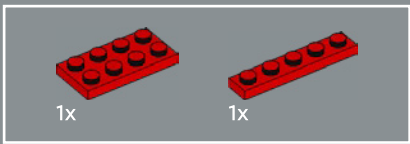
94



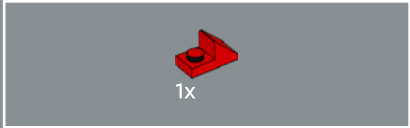
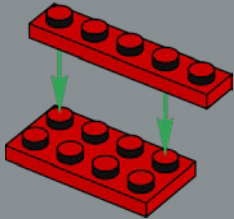


95

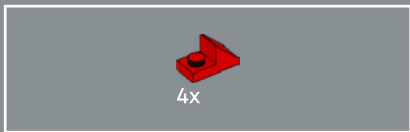
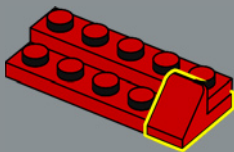




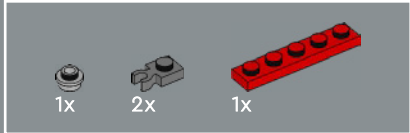
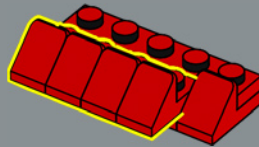
96



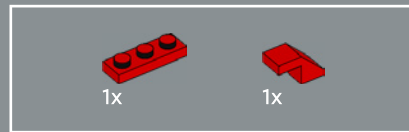
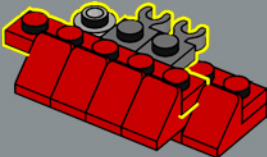
97



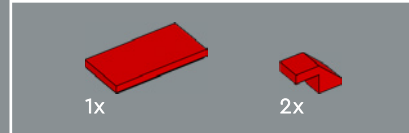
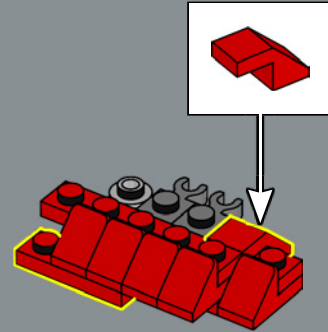
98



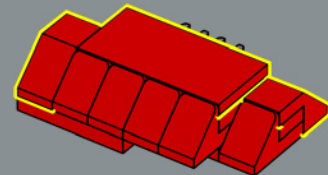
99

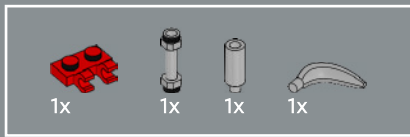


100

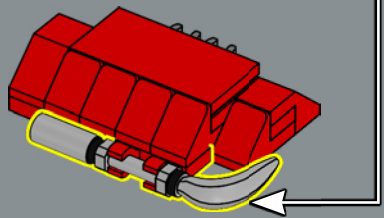
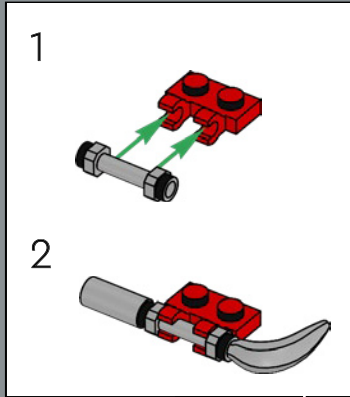


101

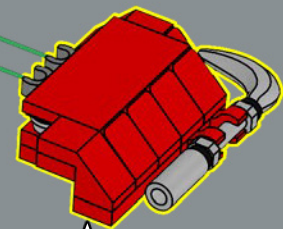
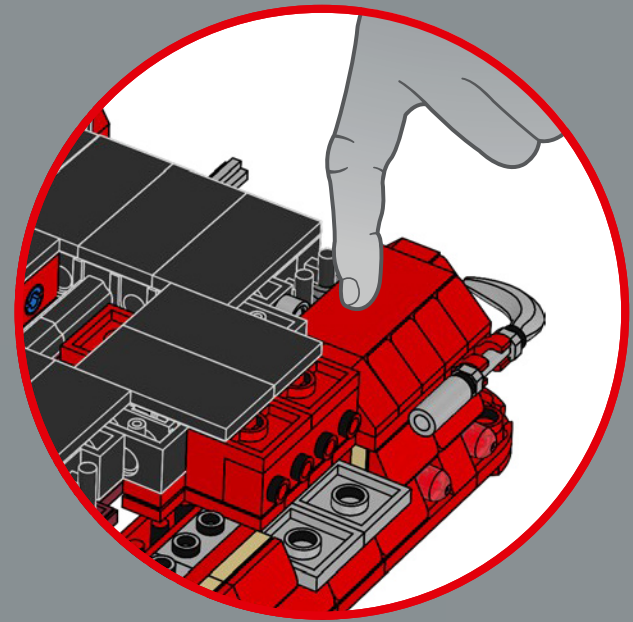
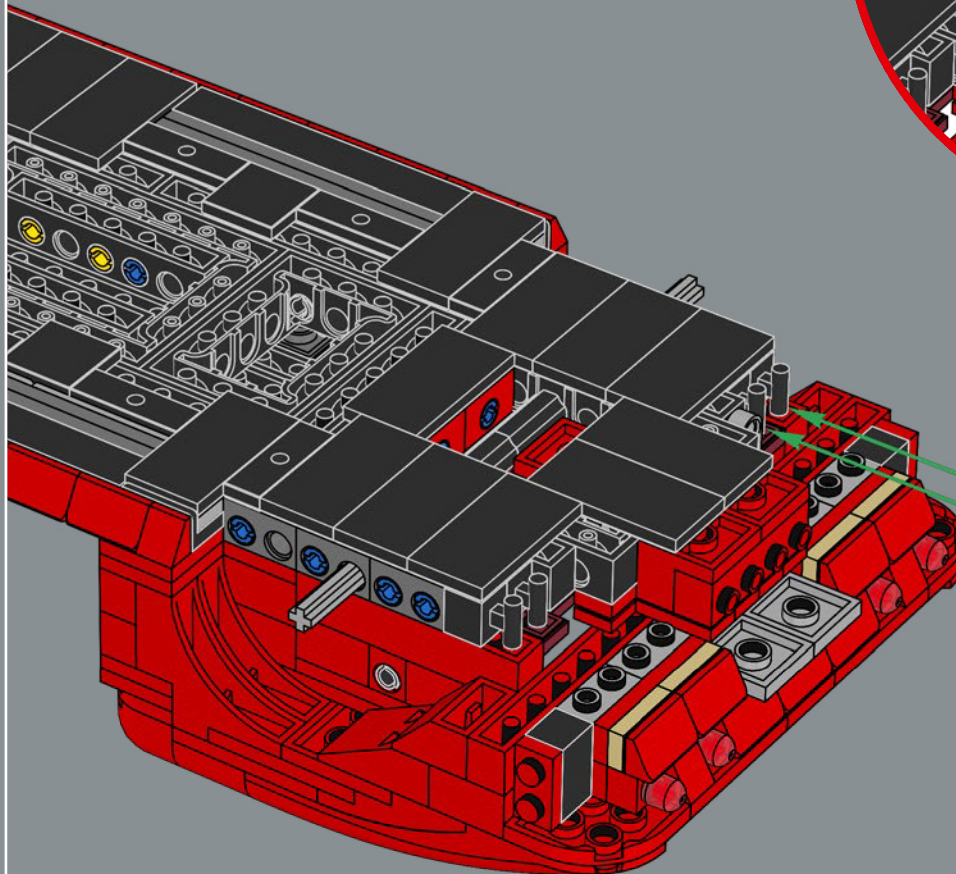


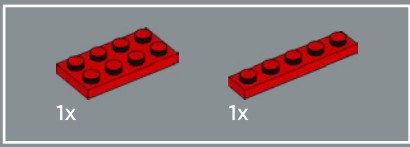


102

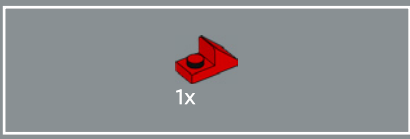
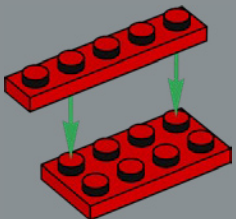


103

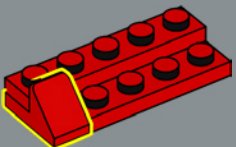




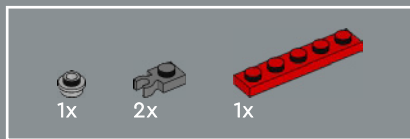
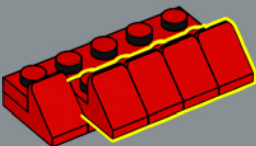
104



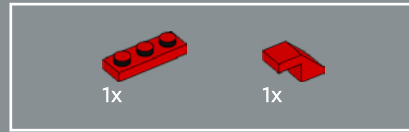
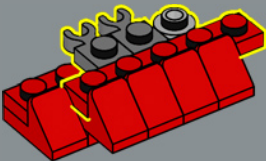
105



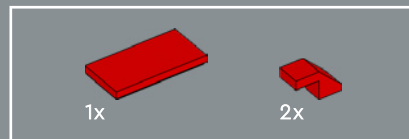
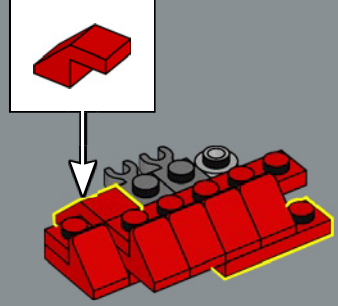
106



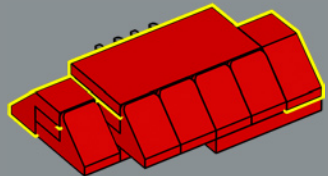
107

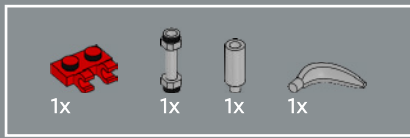


108

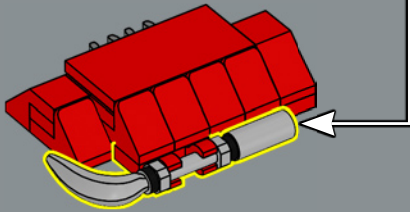
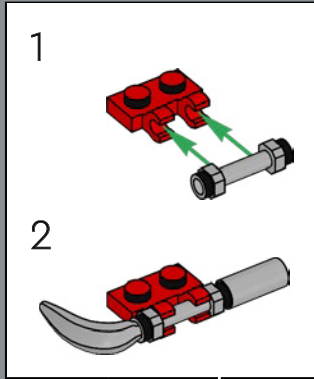


109

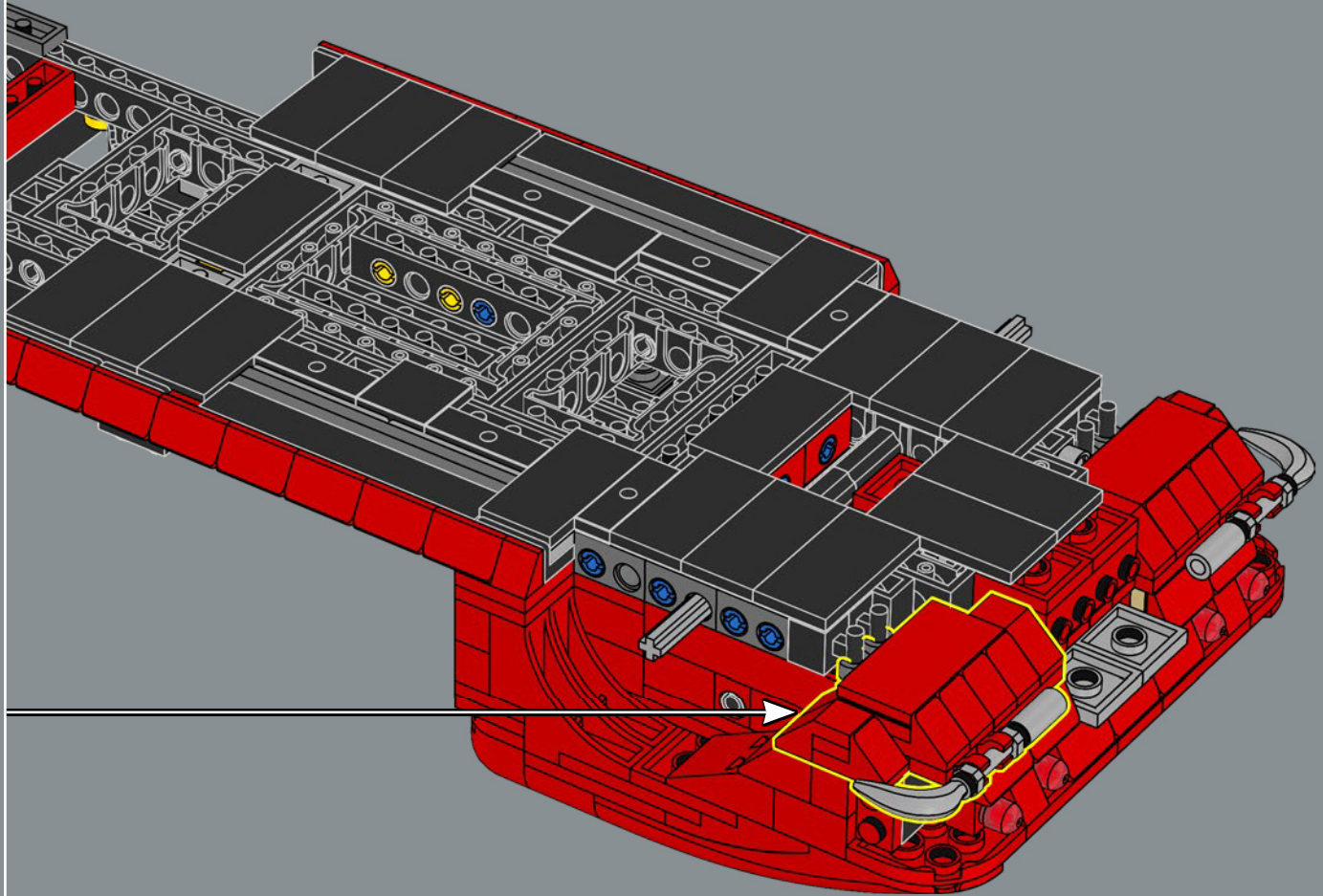


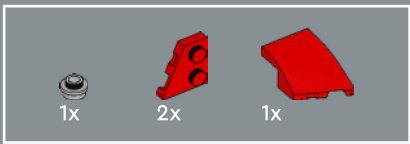


110

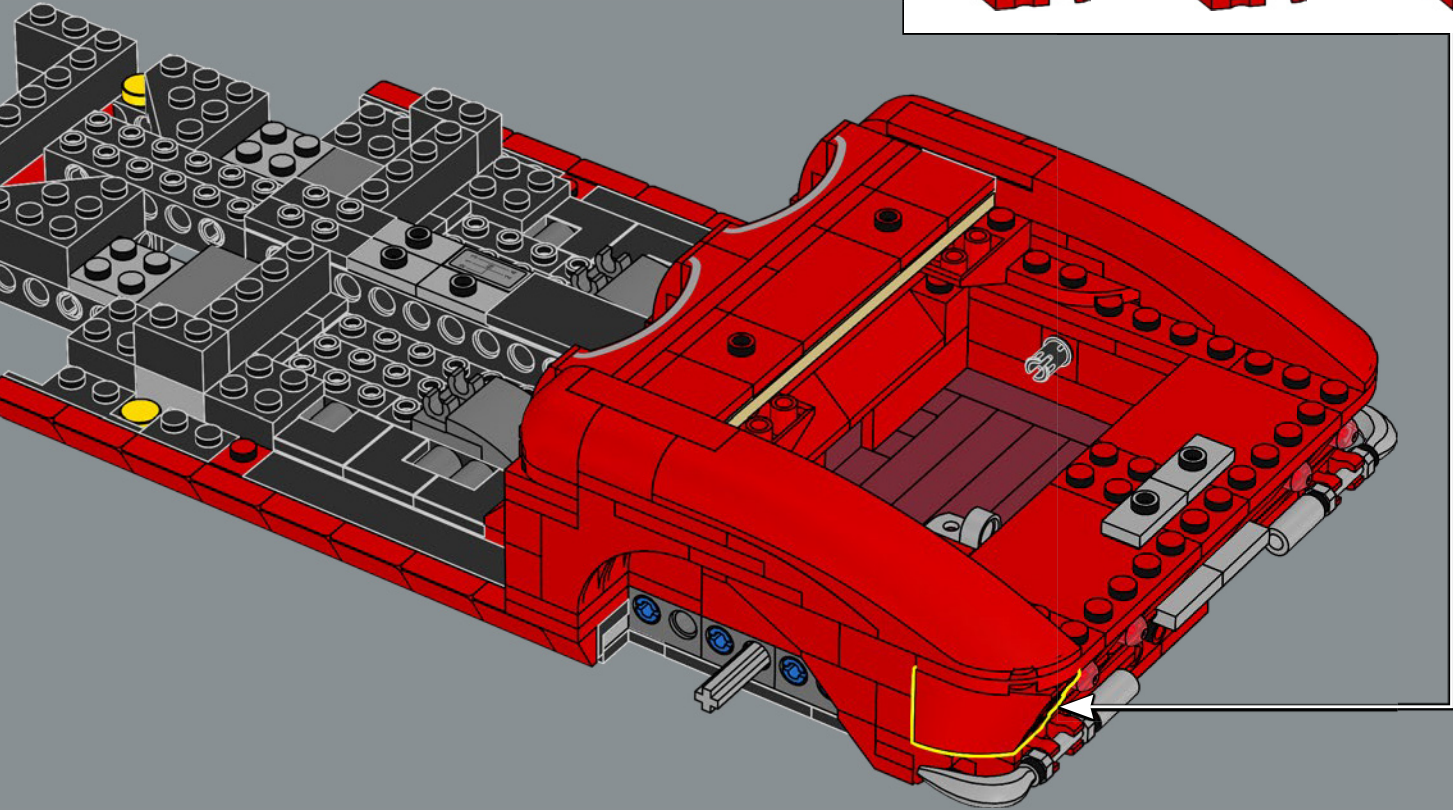
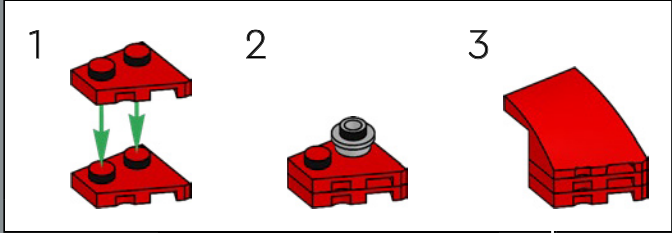


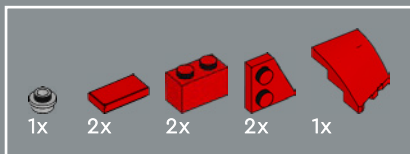
111



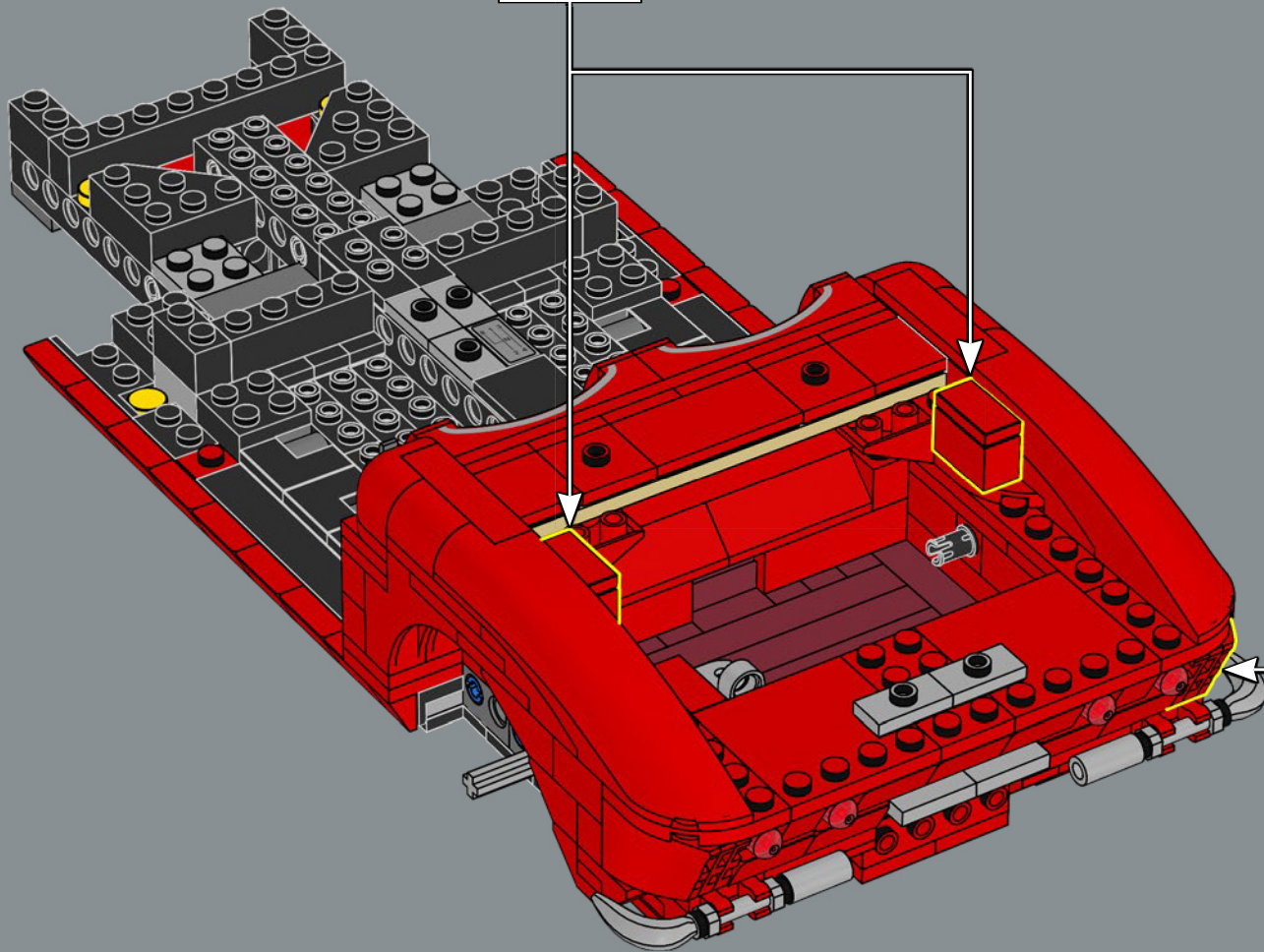
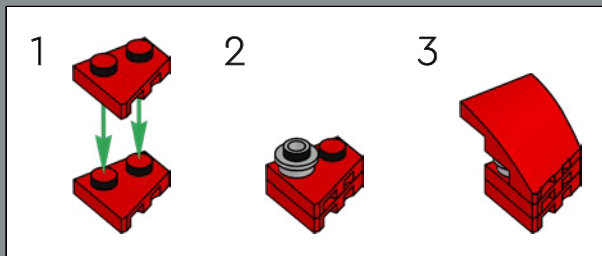
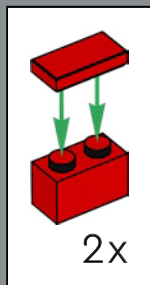


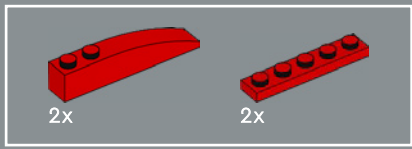
112



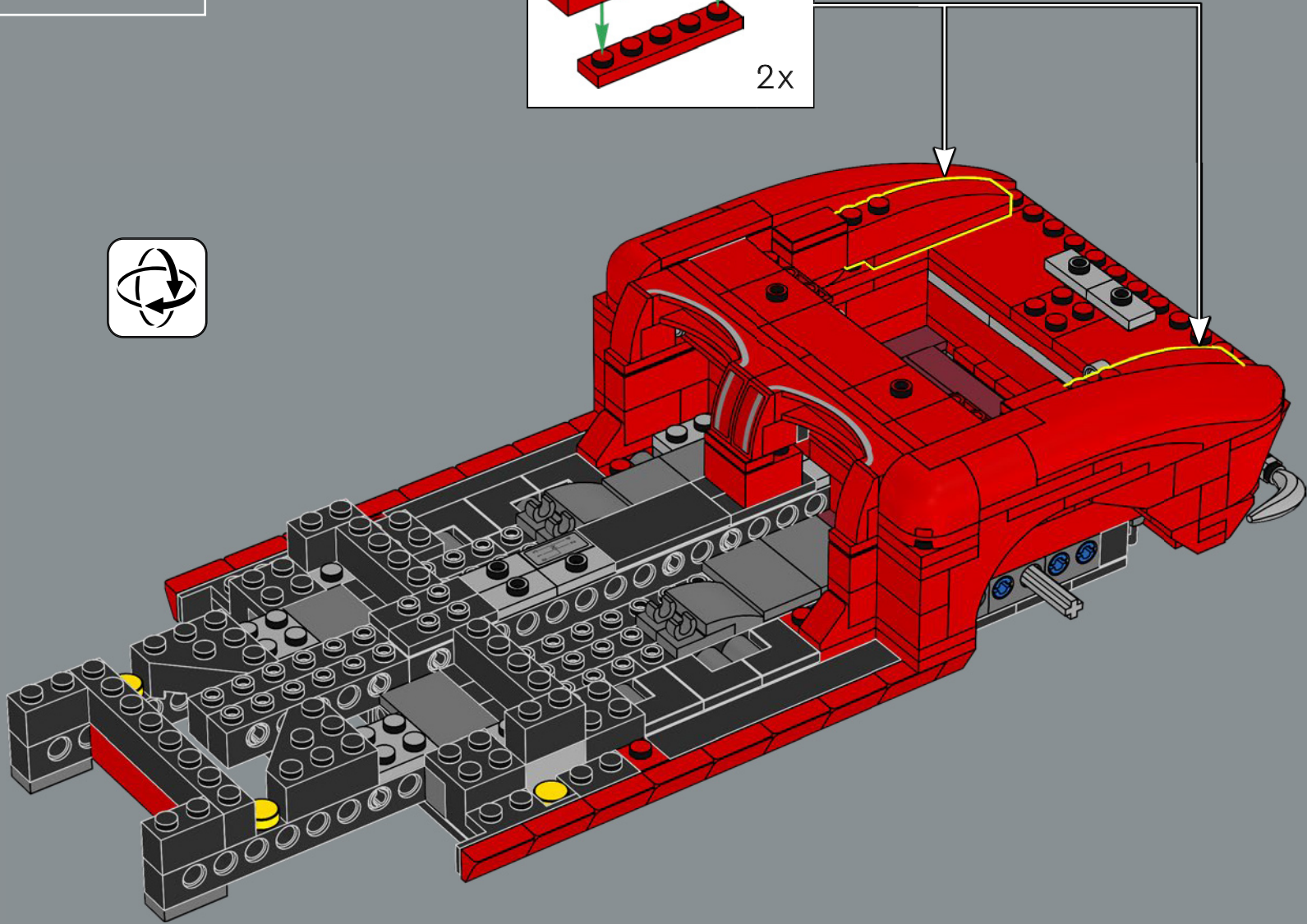
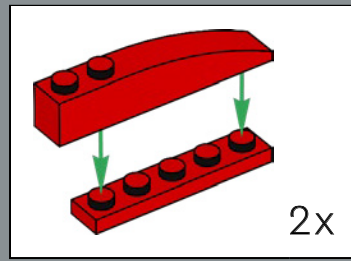


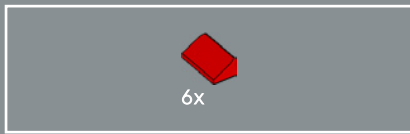
113



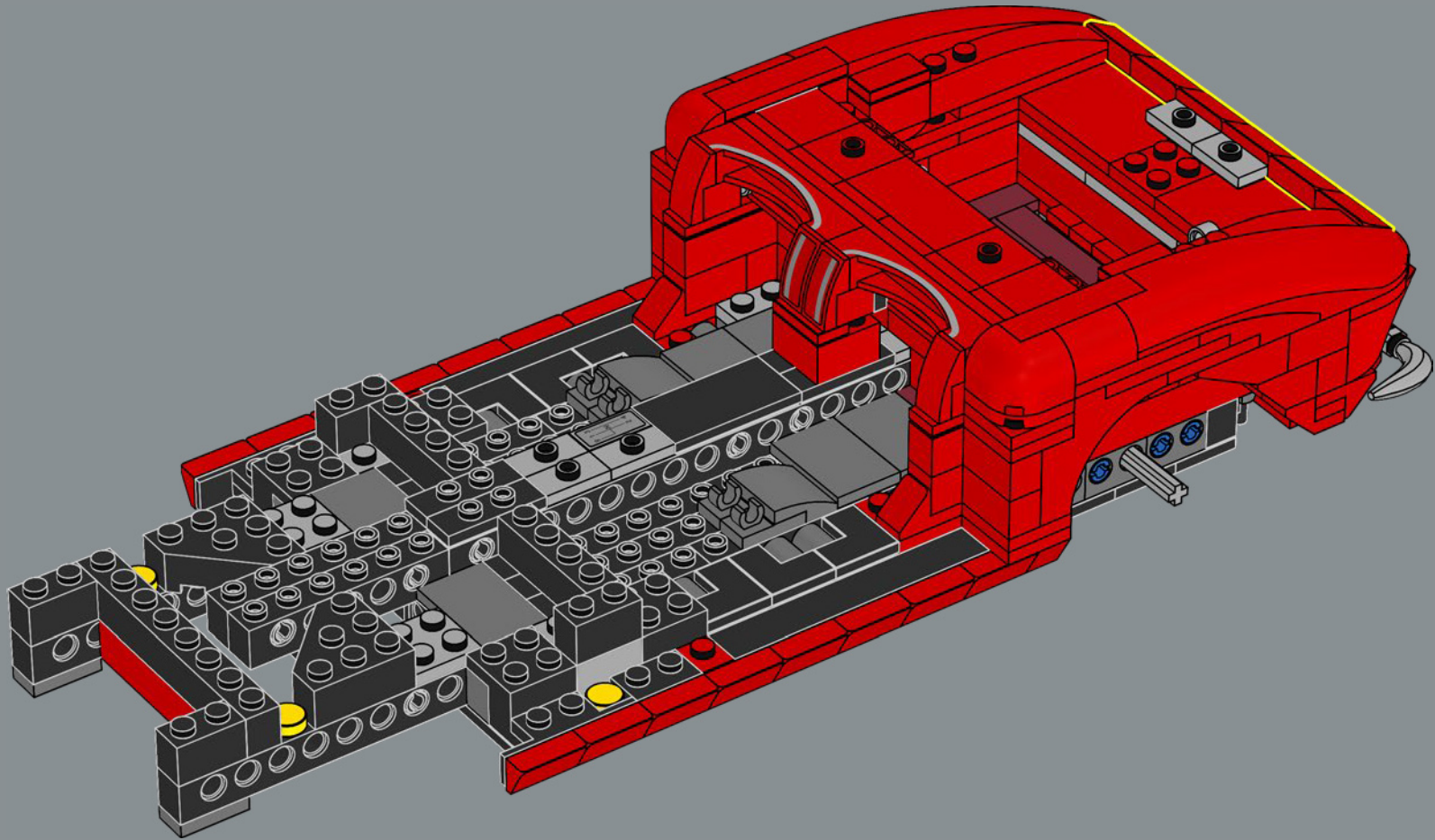


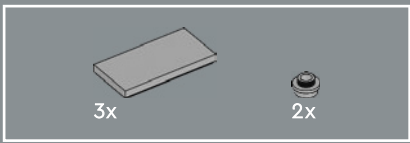
114





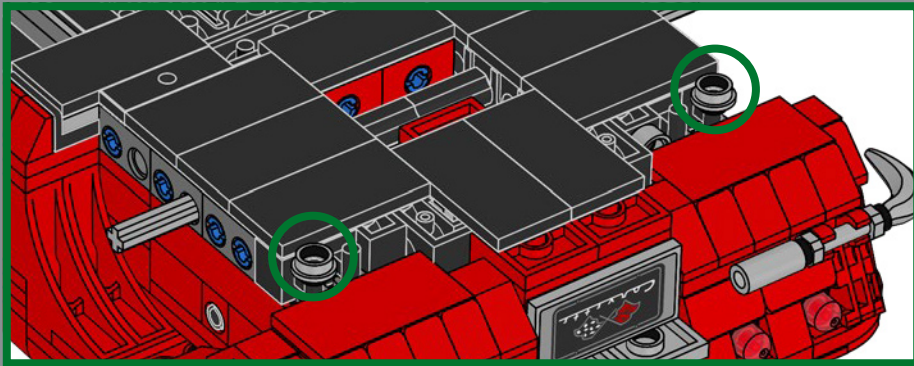
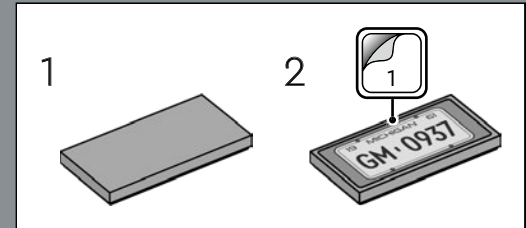
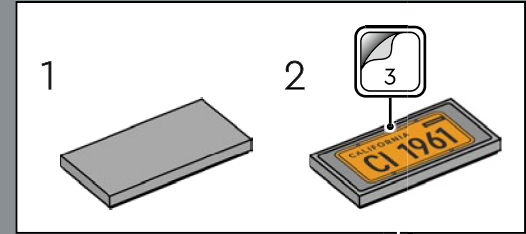
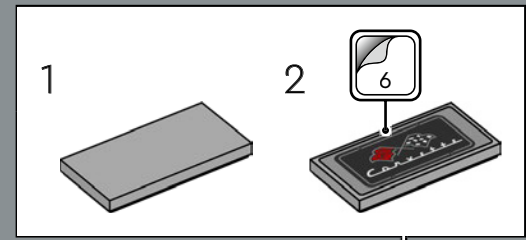
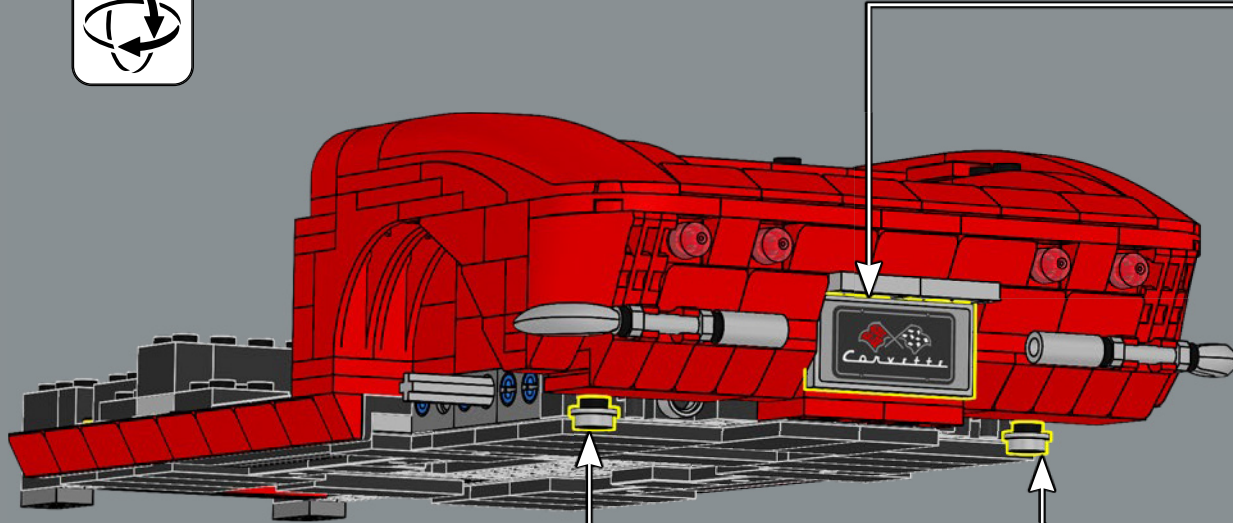
115

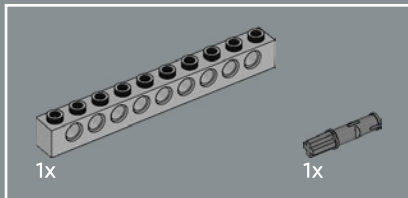
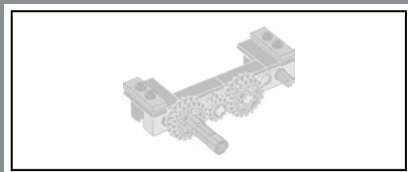




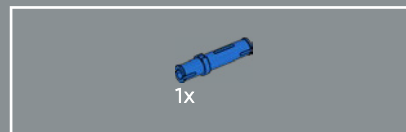
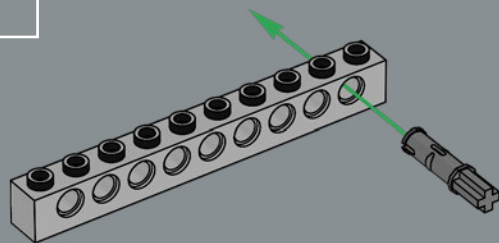
When you turn the Michigan plate upside down, the four numbers 0937 spell out "LEGO".

116

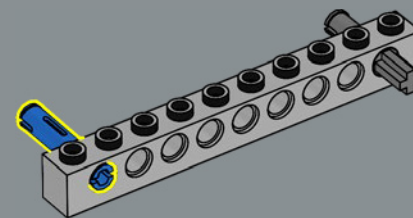




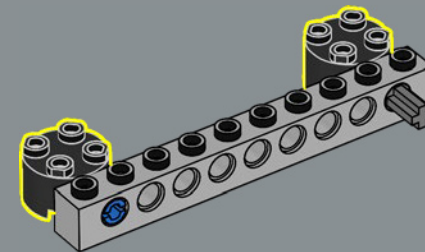
117

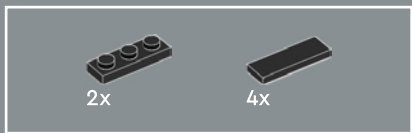


118

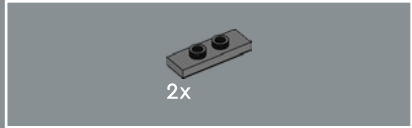
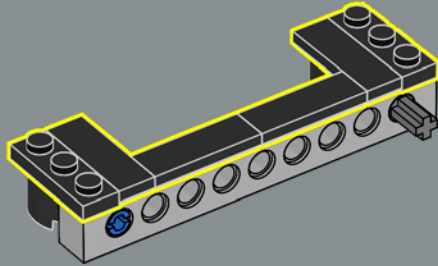


119

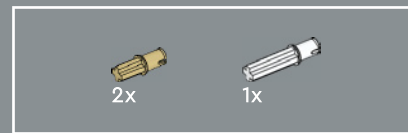
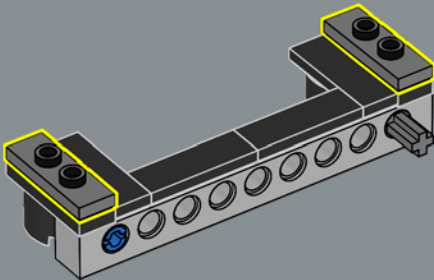




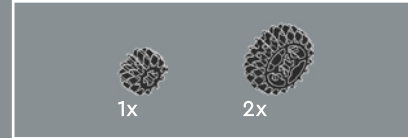
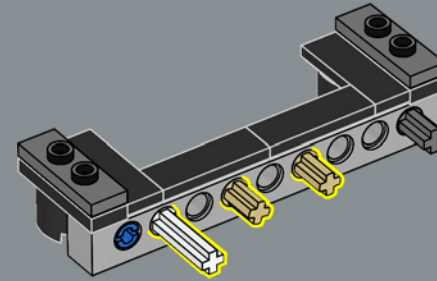
120



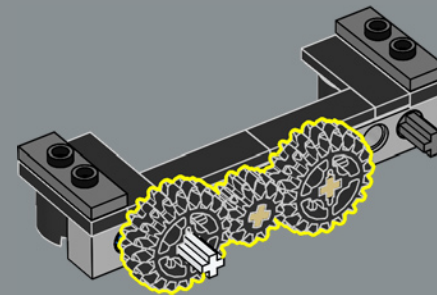
121



122

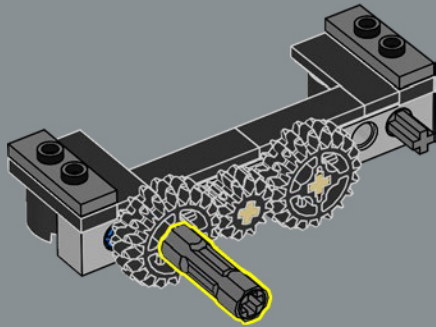


123

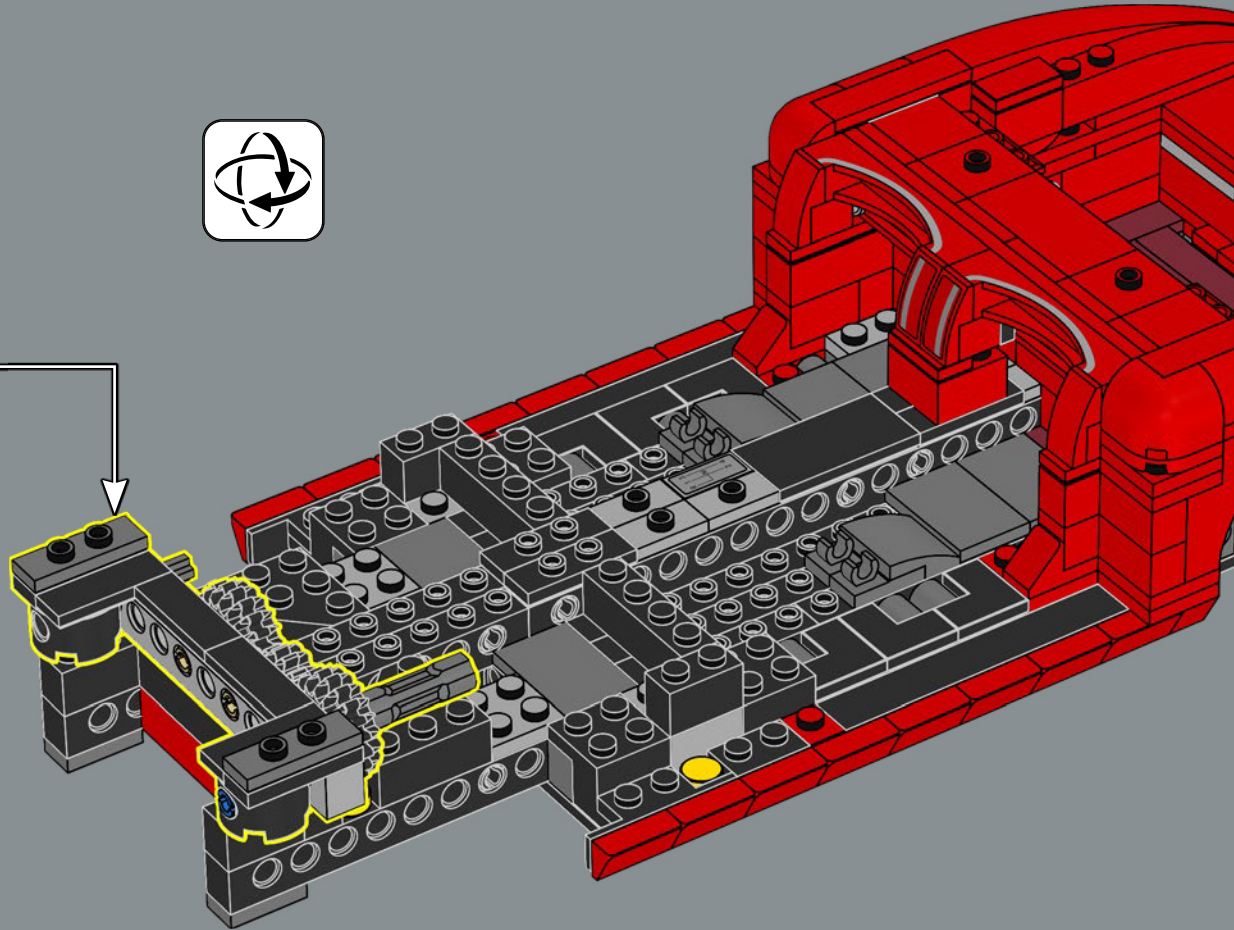


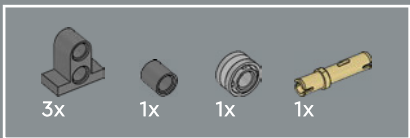


124

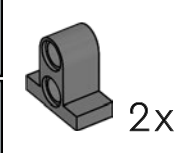
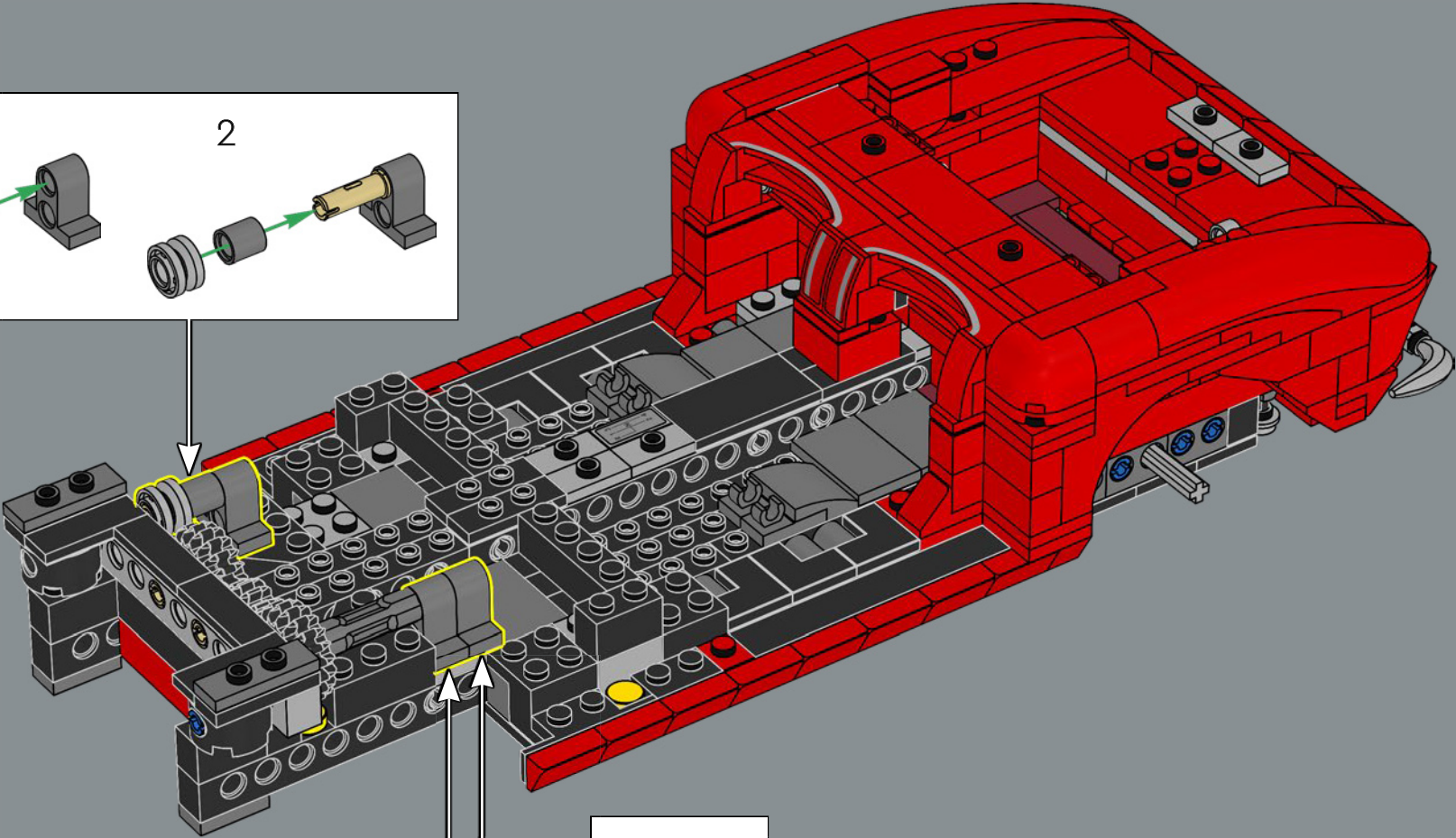
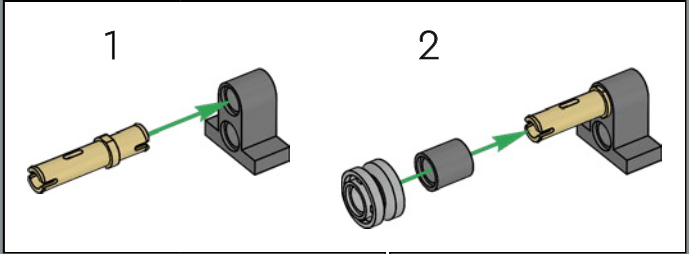


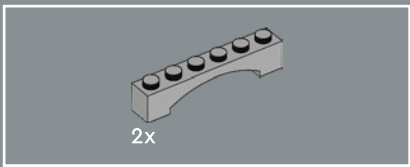
125



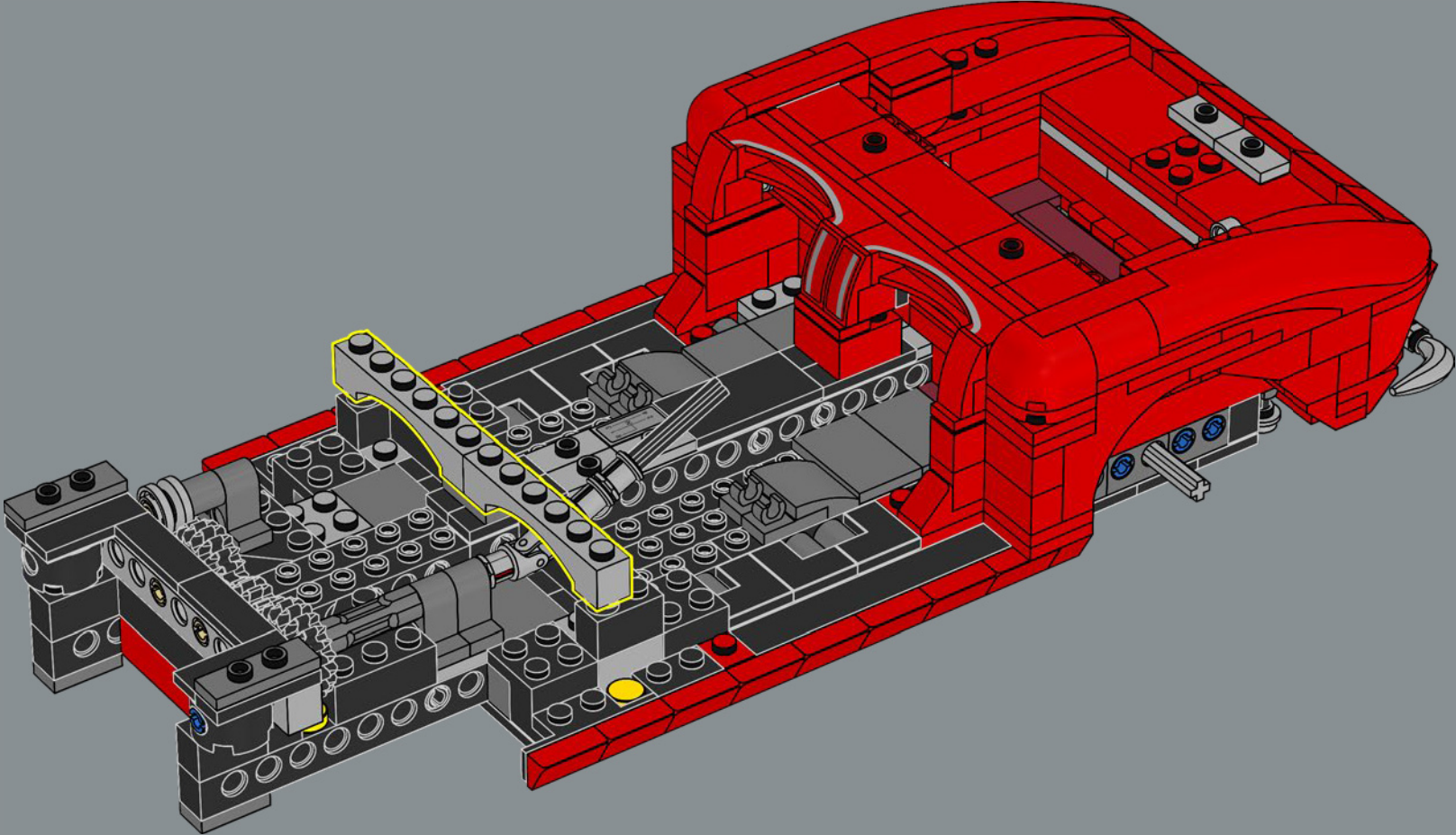


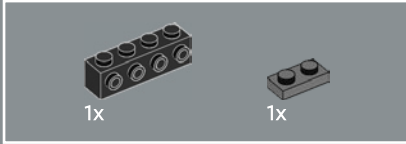
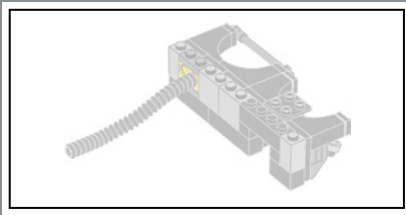
126



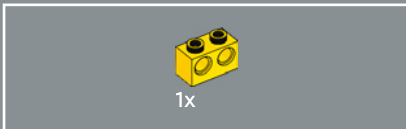
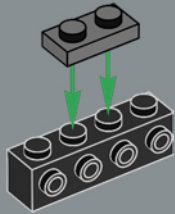


128

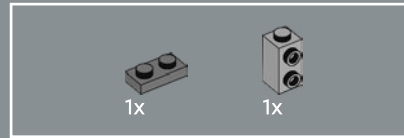
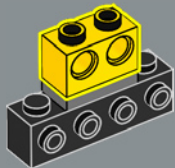




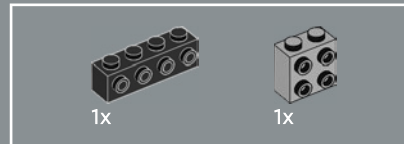
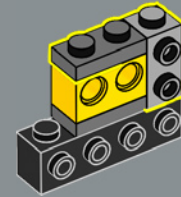
129



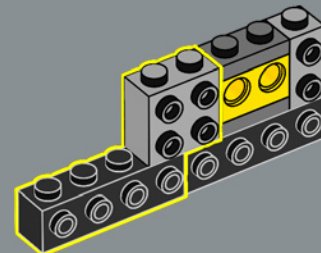
130

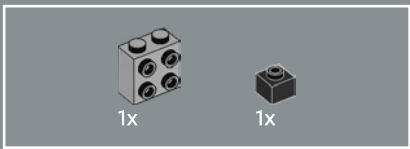


131

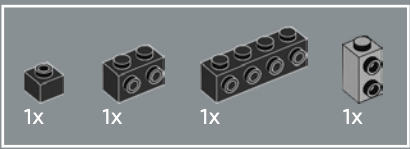
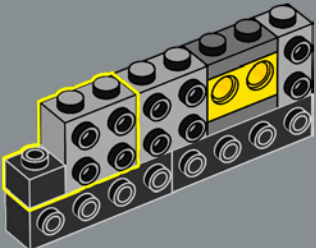


132

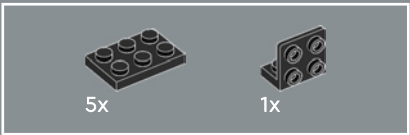
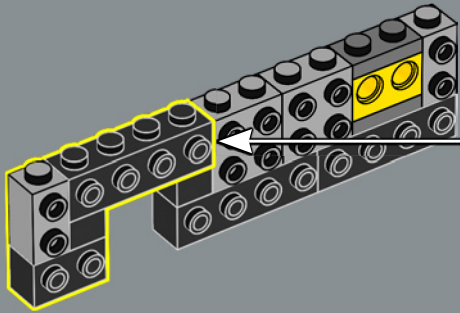
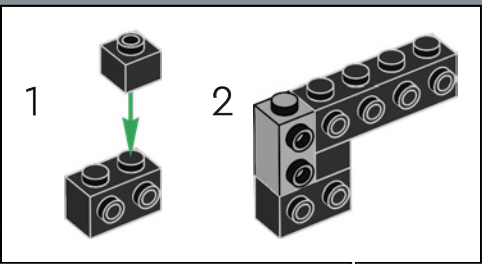




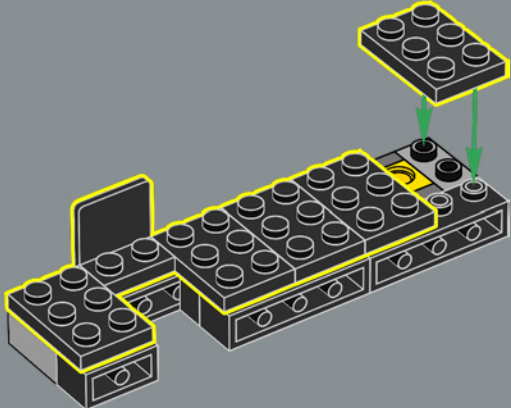
133

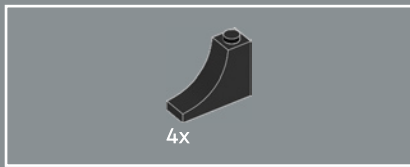


134

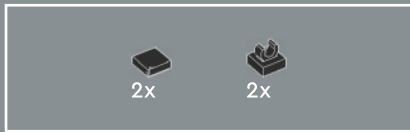
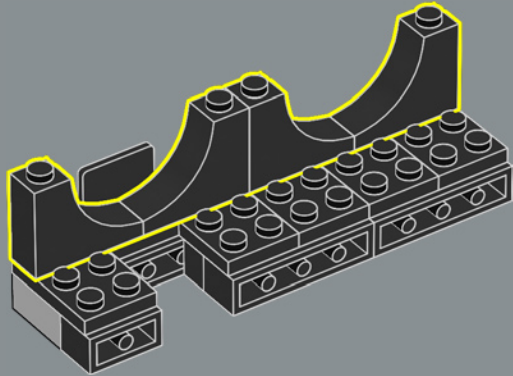


135

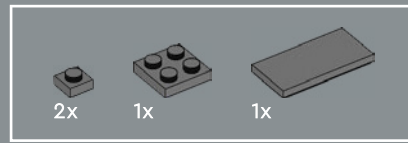
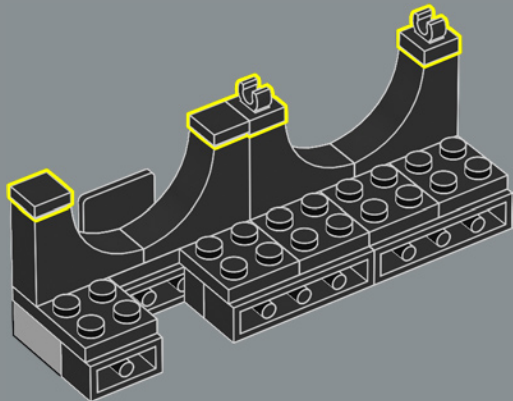




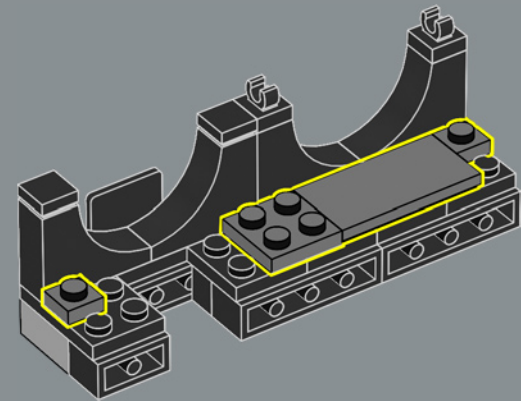
136

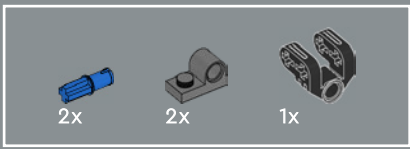


137

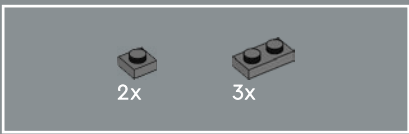
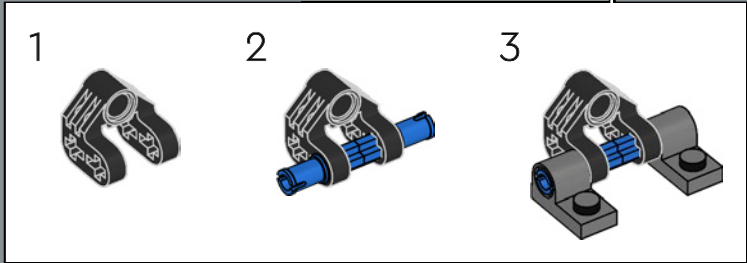
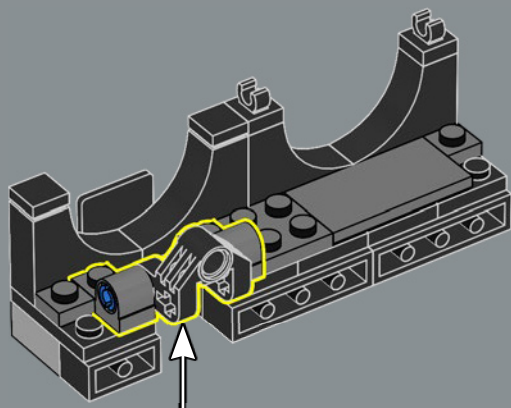


138

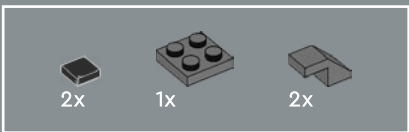
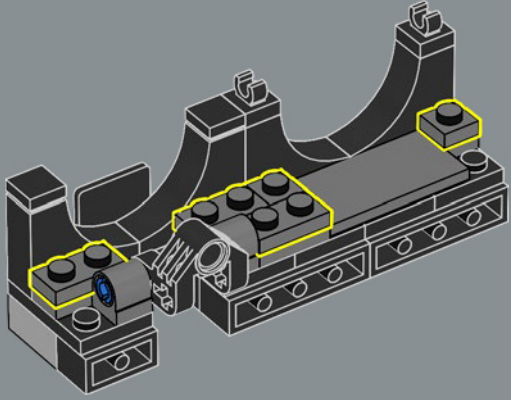




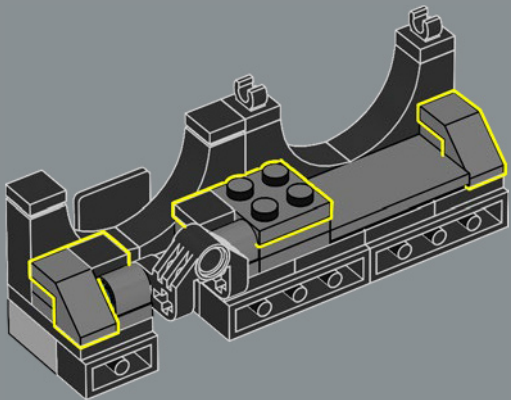
139



140

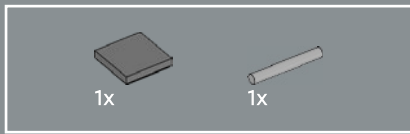


141

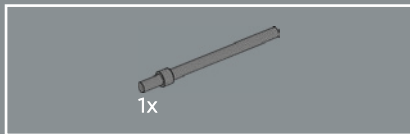
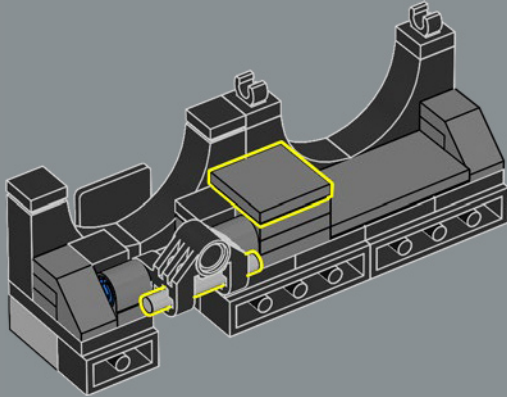




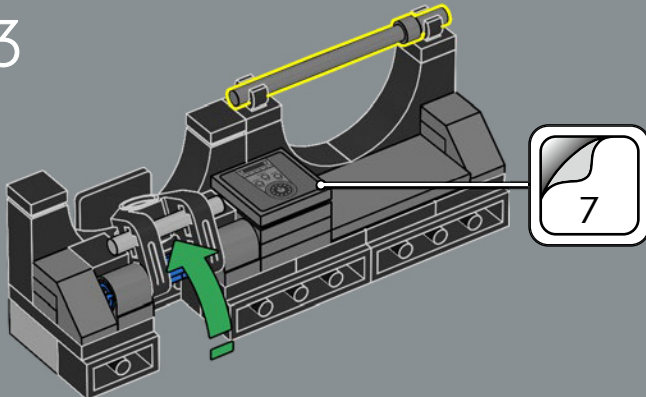
We have three movable pedals!



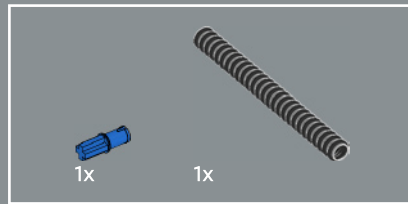
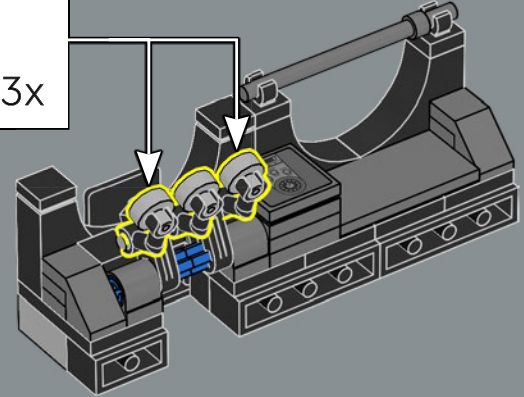
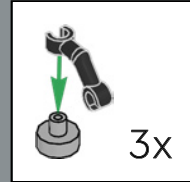
142



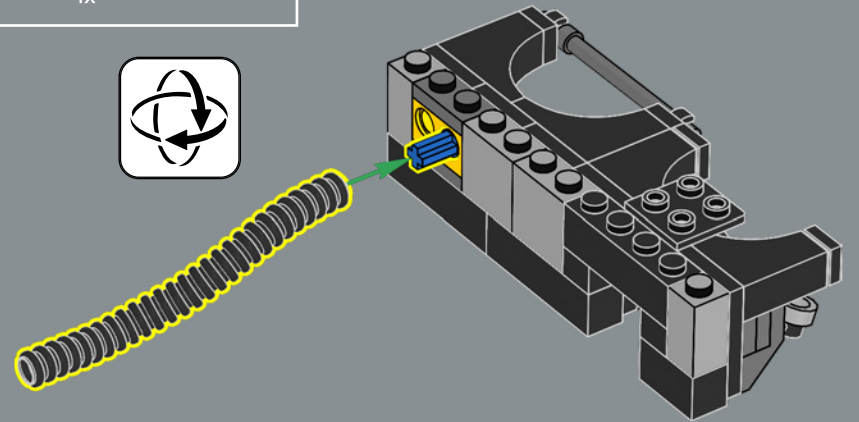
143



144

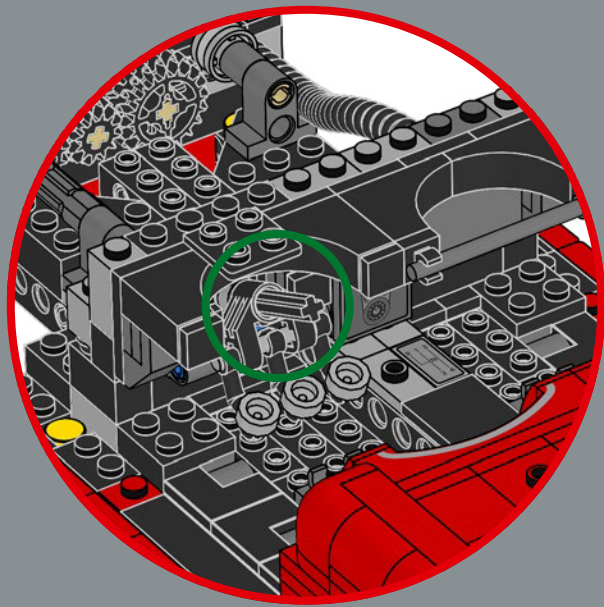


145

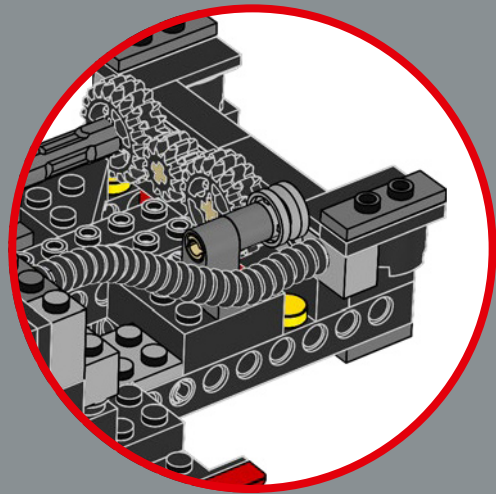
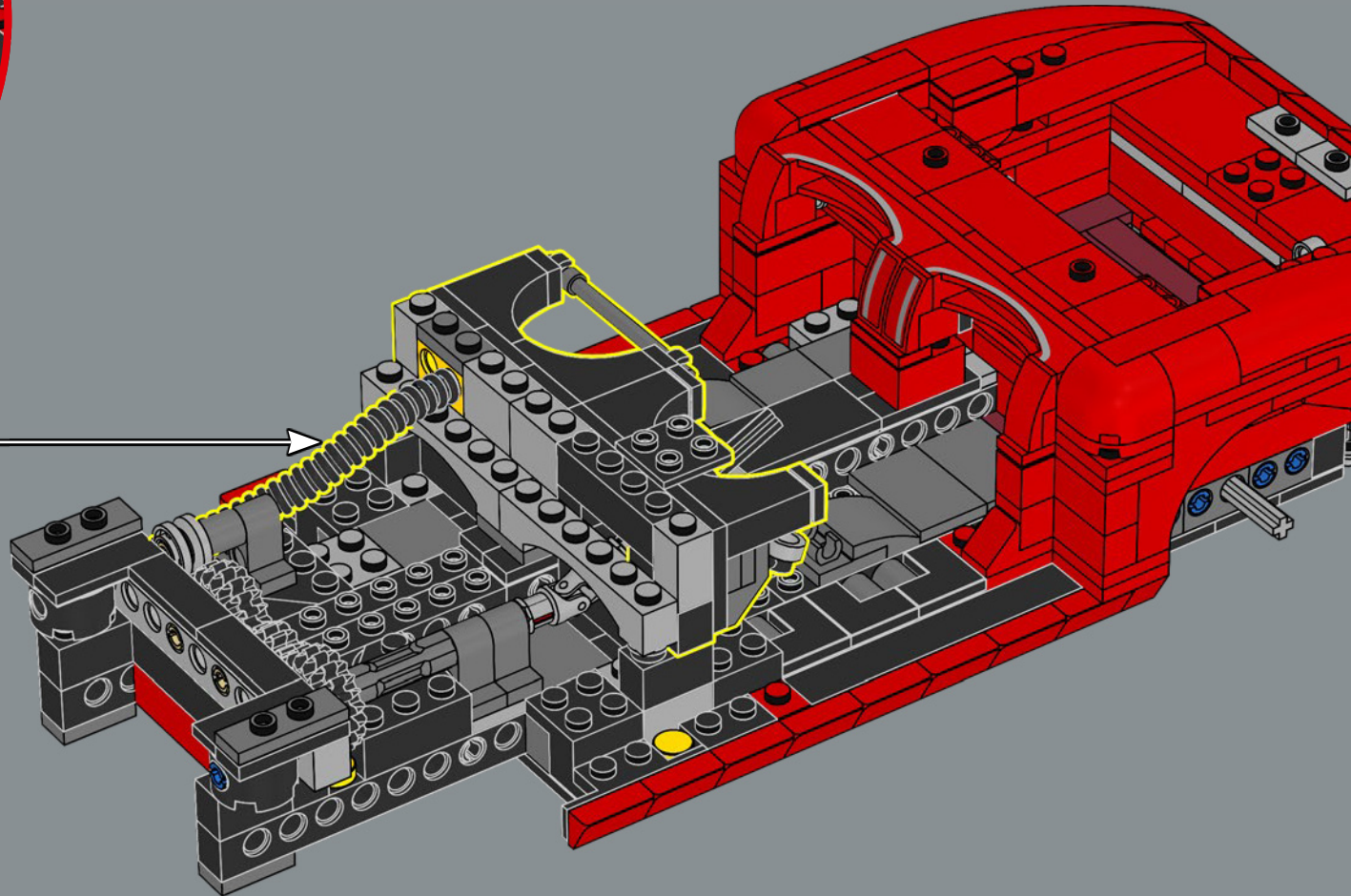


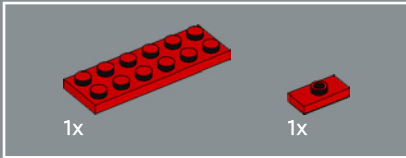
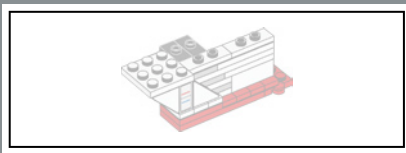


Two half-arches, a signature Corvette design detail, frame the dashboard.

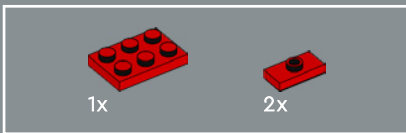
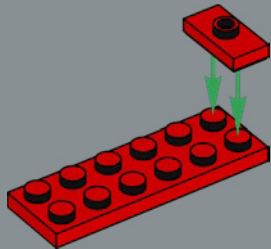


146

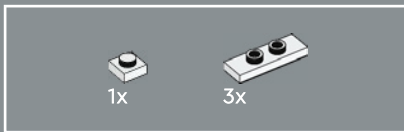
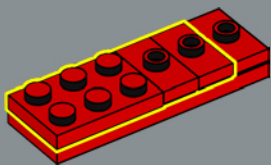




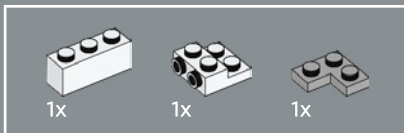
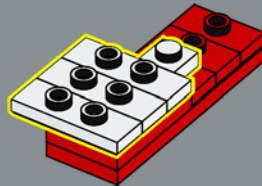
147



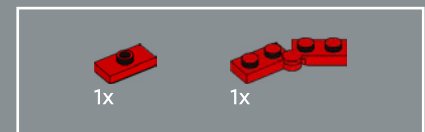
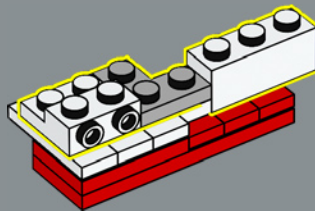
148



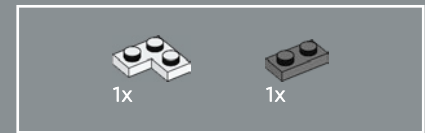
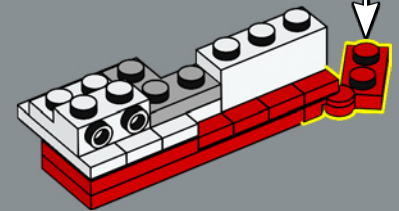
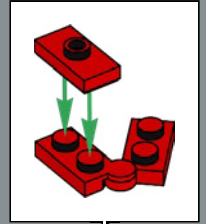
149



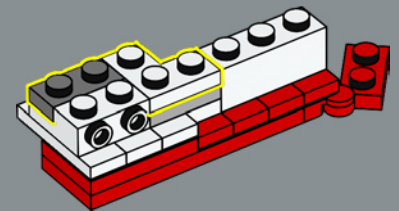
150

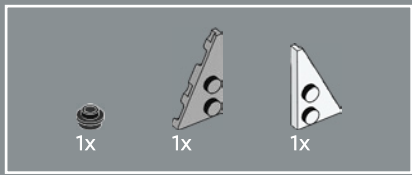


151

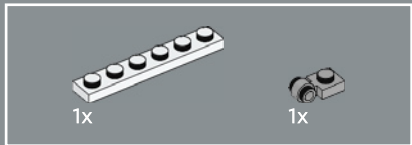
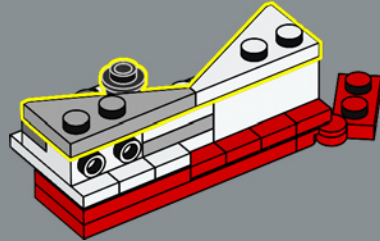


152

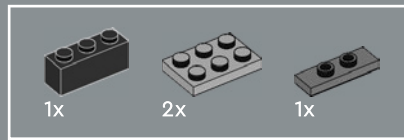
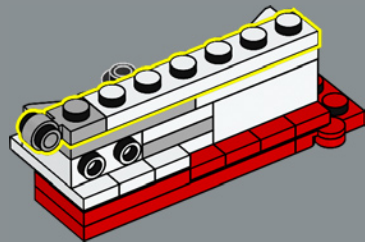




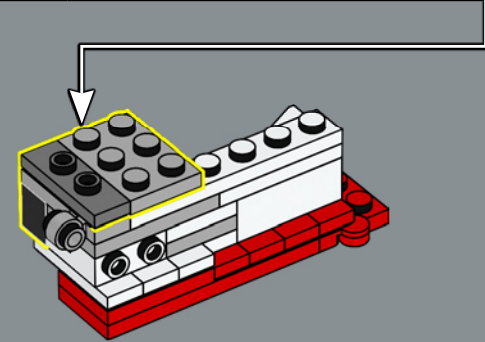
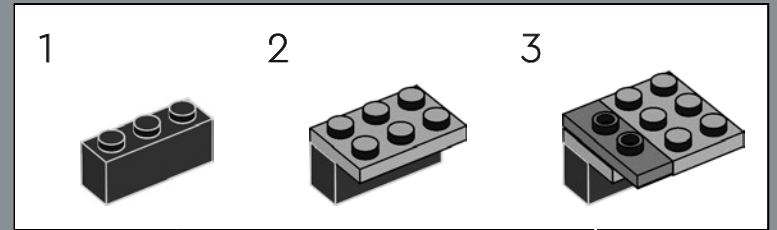
153



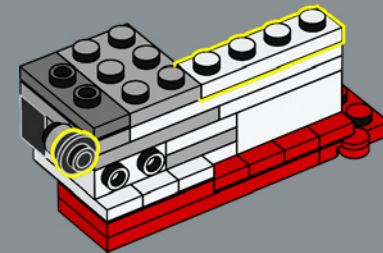
154

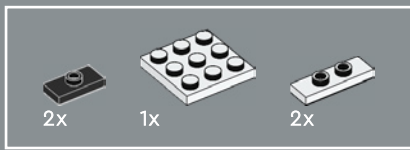


155

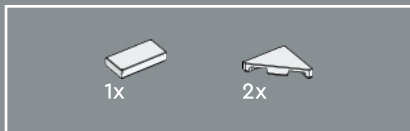
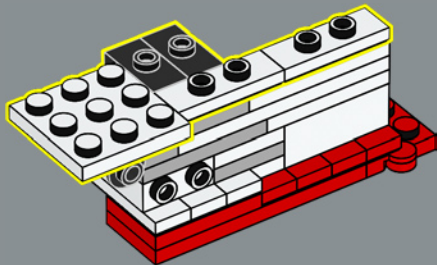


156

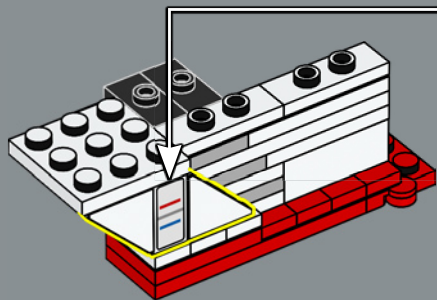
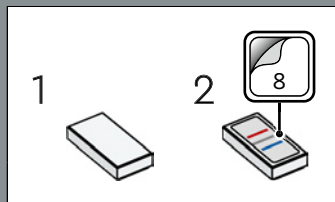




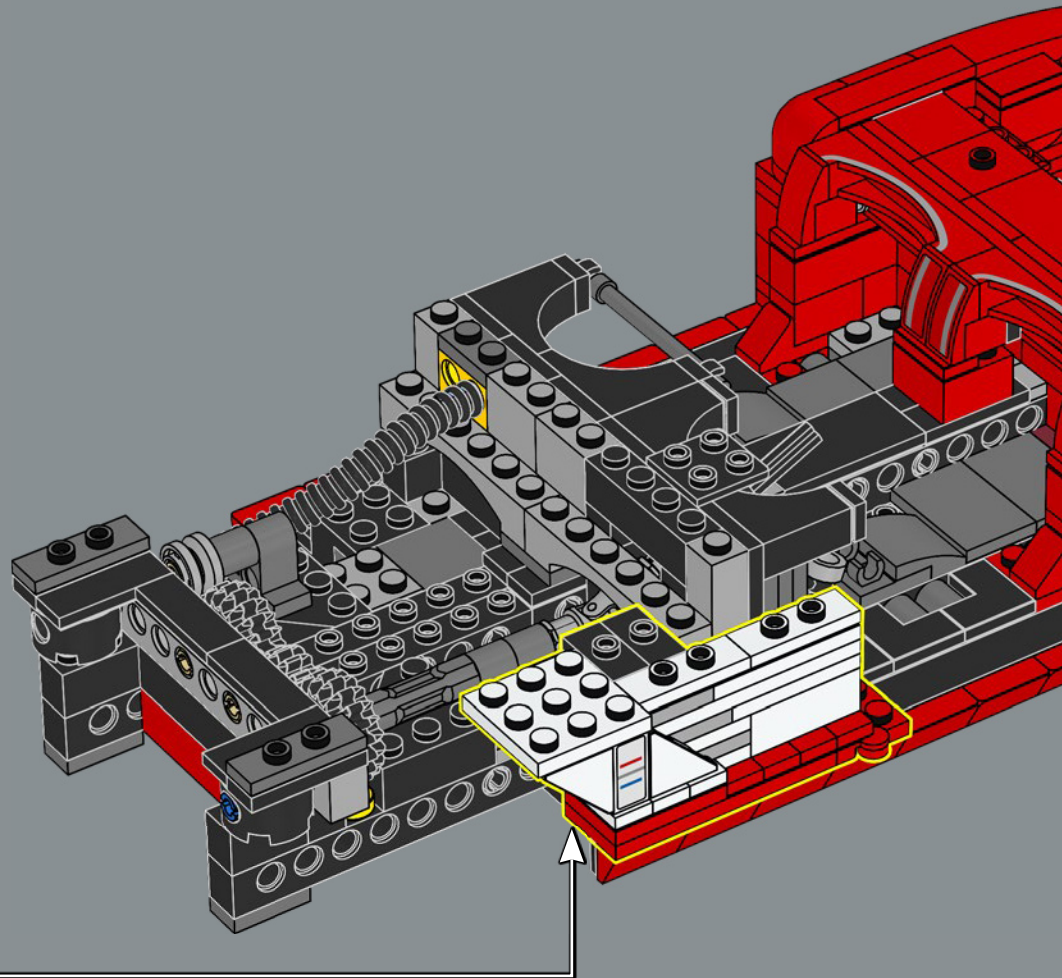
157

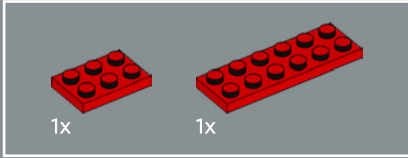
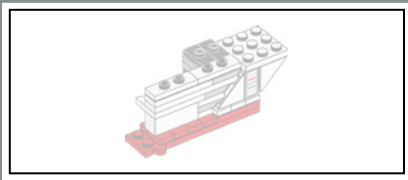


158

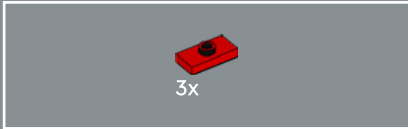
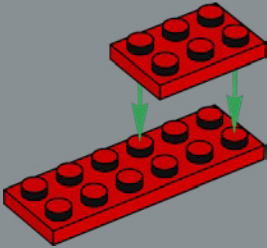


159

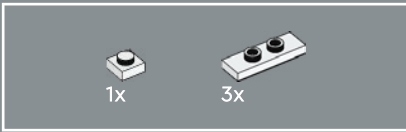
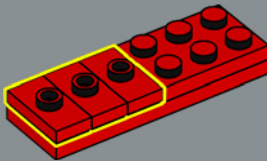




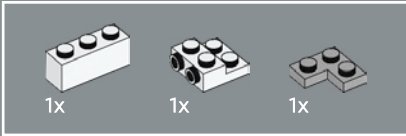
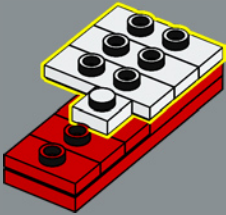
160



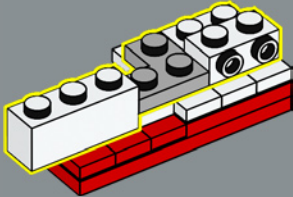
161

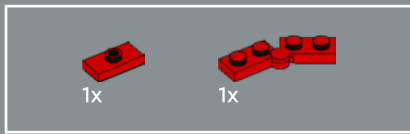


162

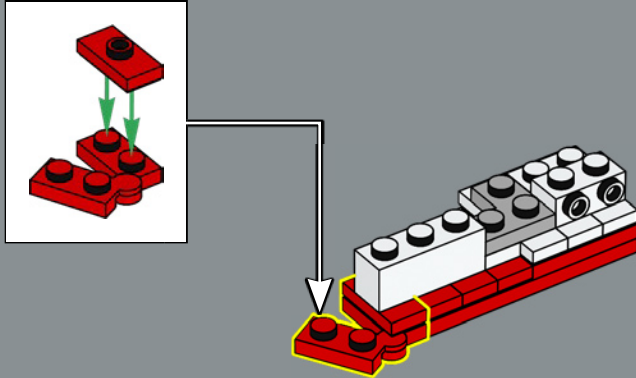


163

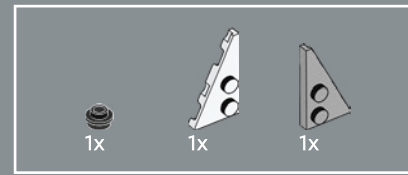
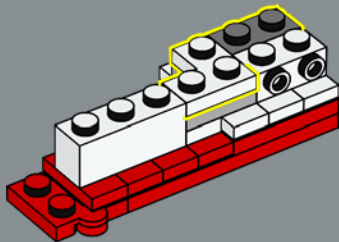




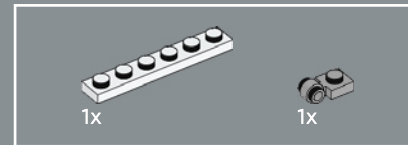
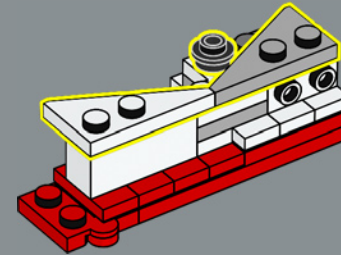
164



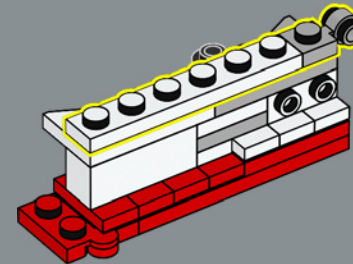
165

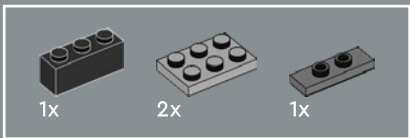


166

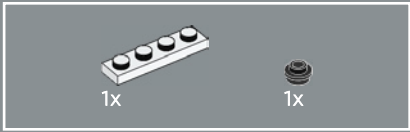
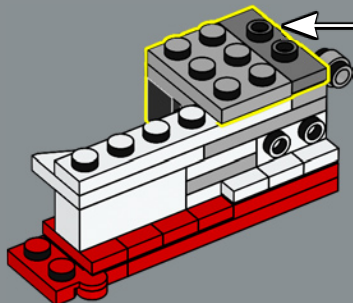
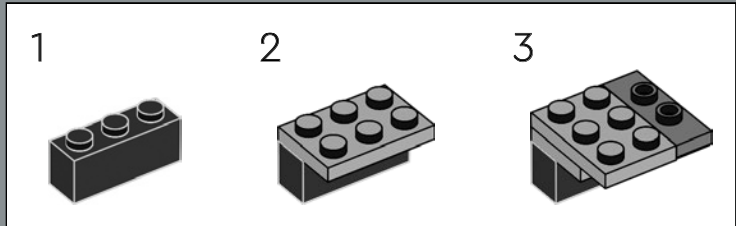


167

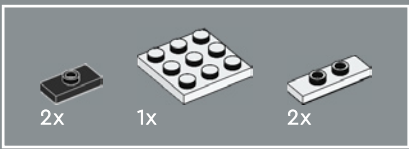
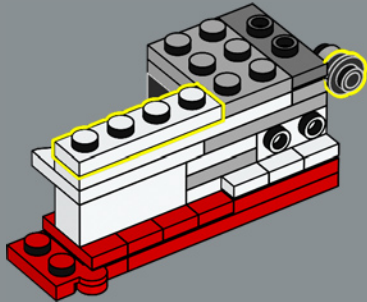




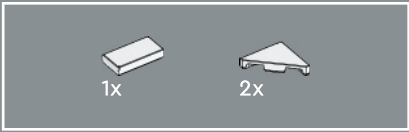
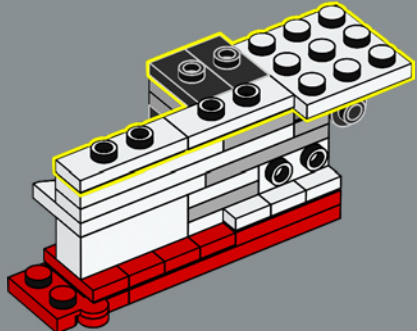
168



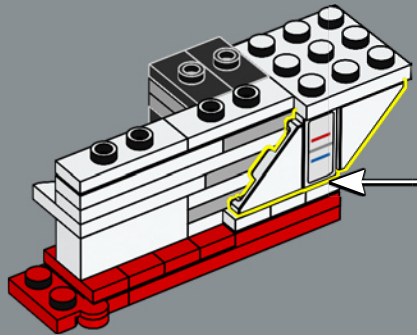
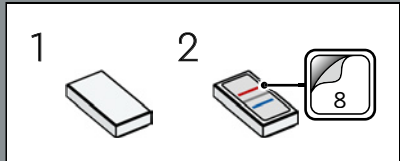
169



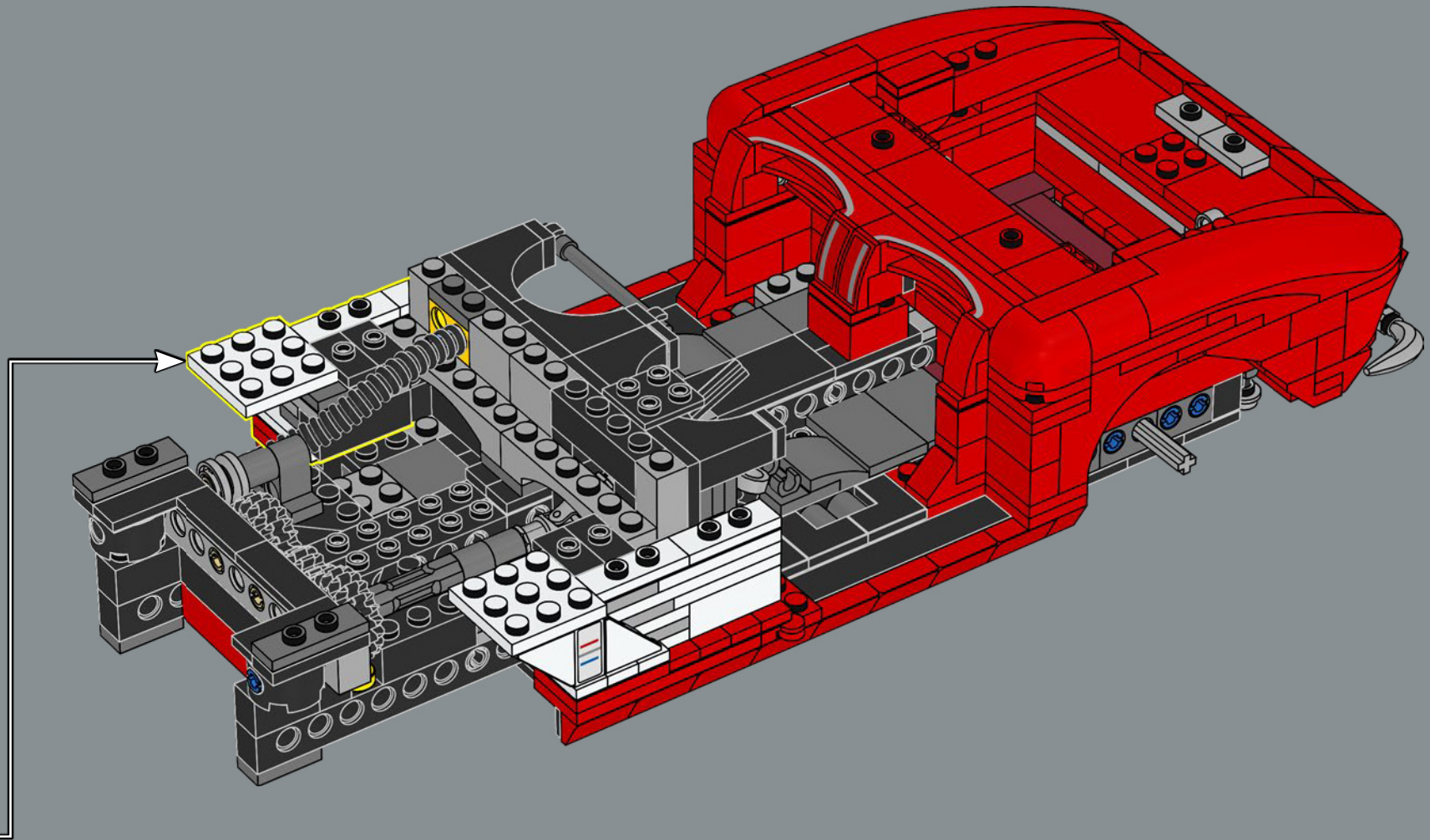
170

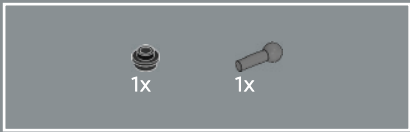


171

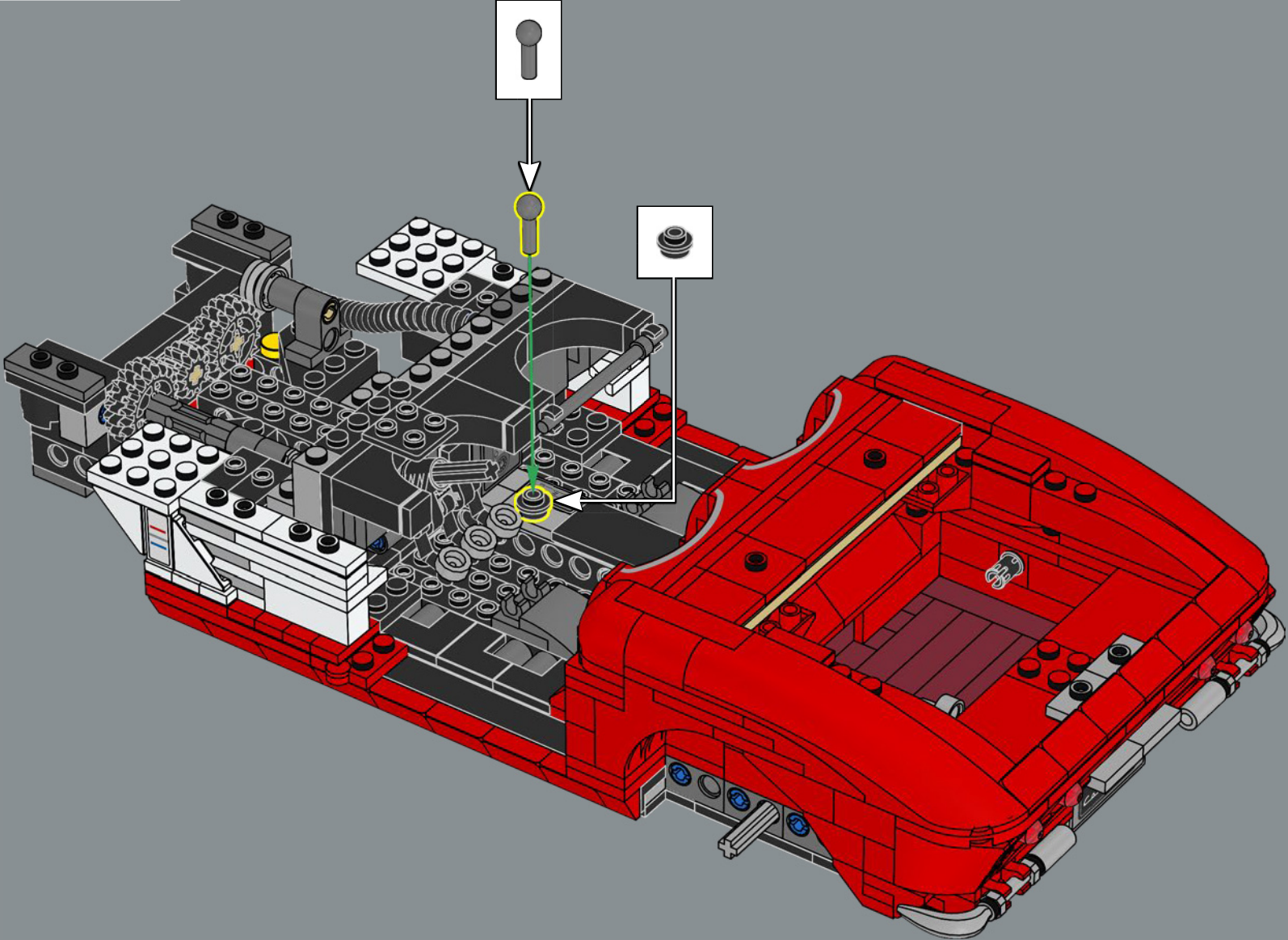


172



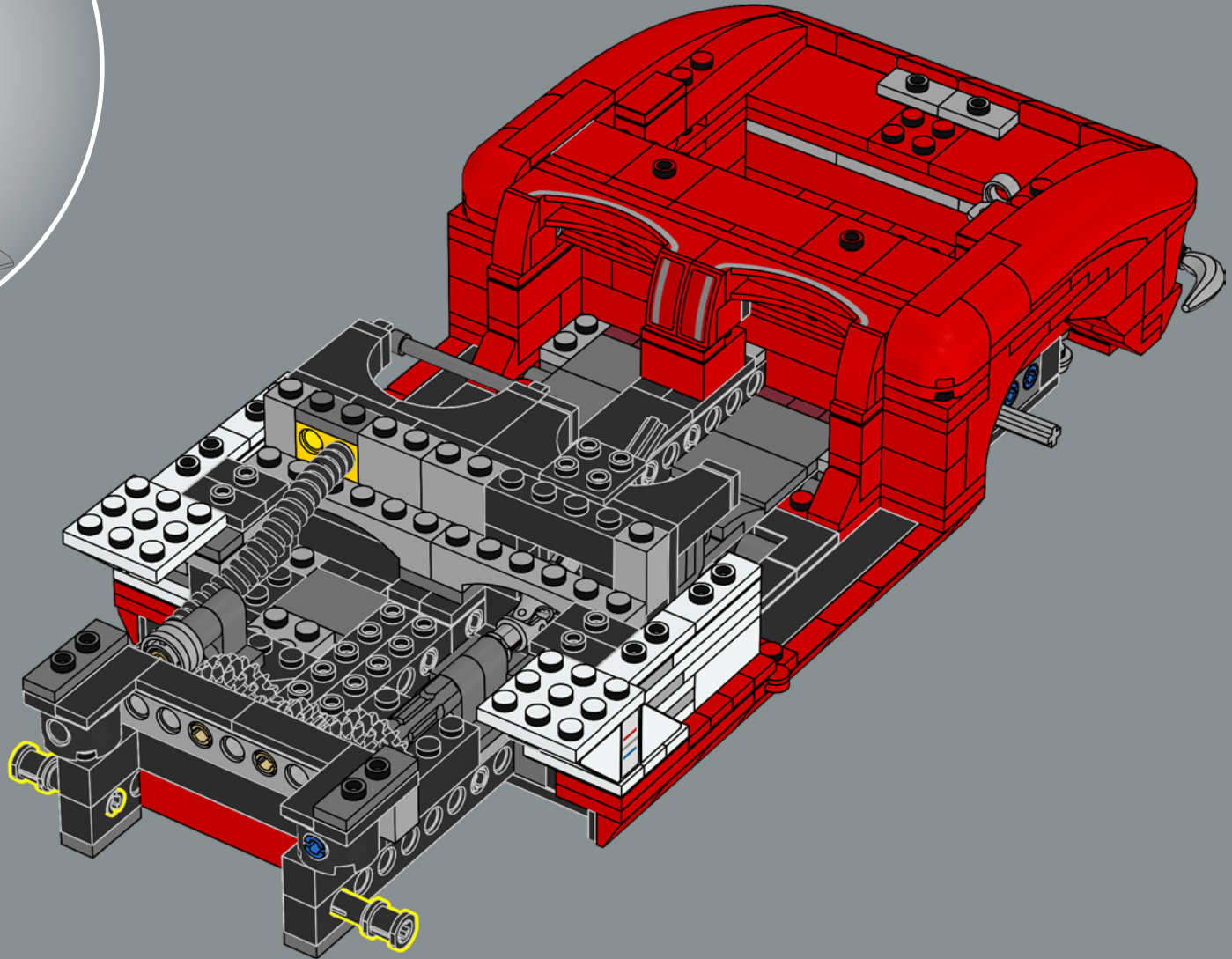


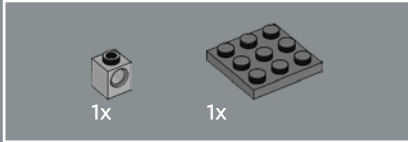
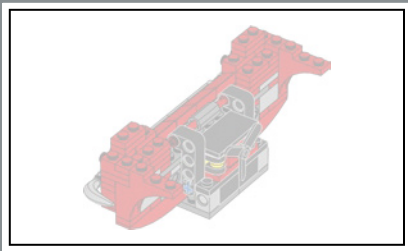
173



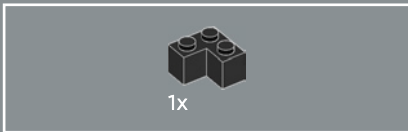
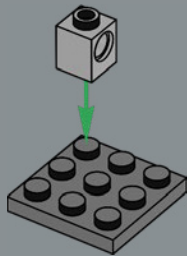


174

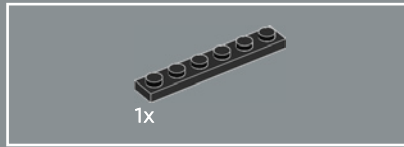
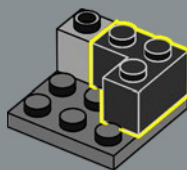




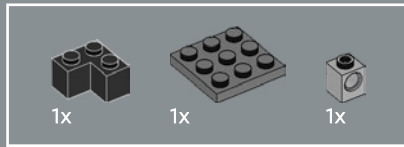
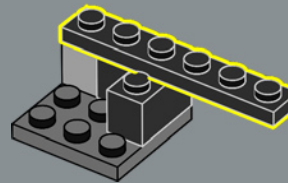
175



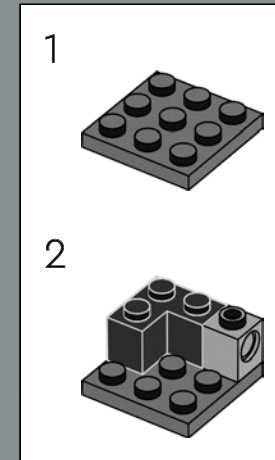
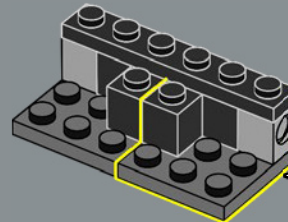
176

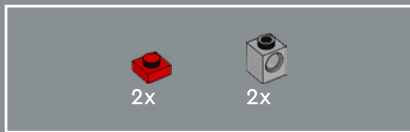


177

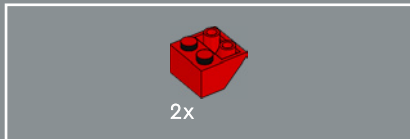
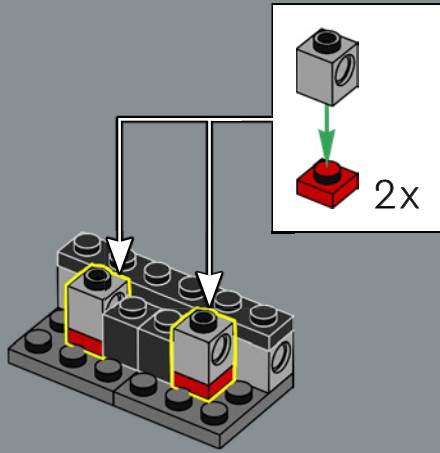


178

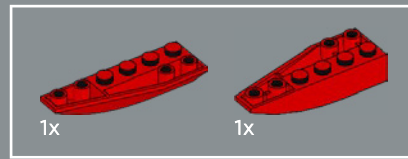
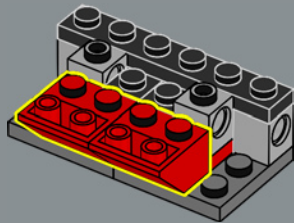




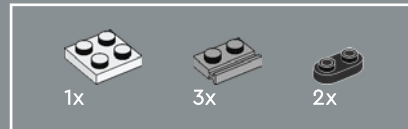
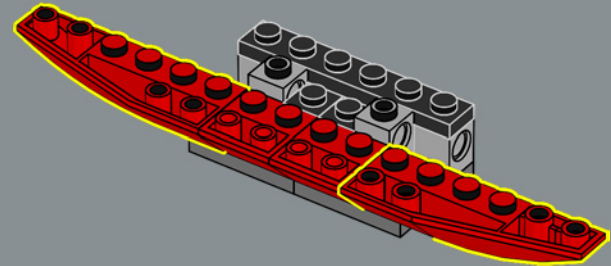
179



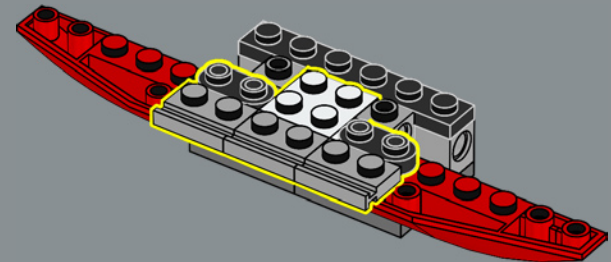
180

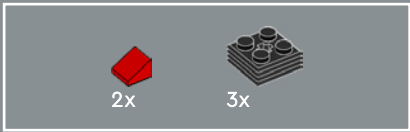


181

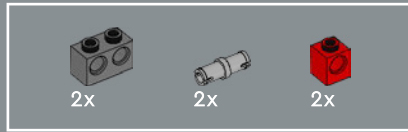
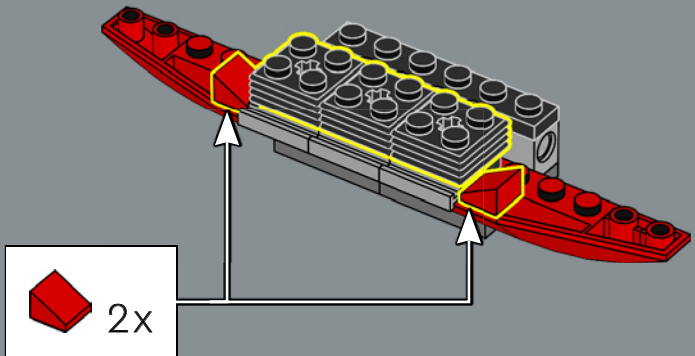


182

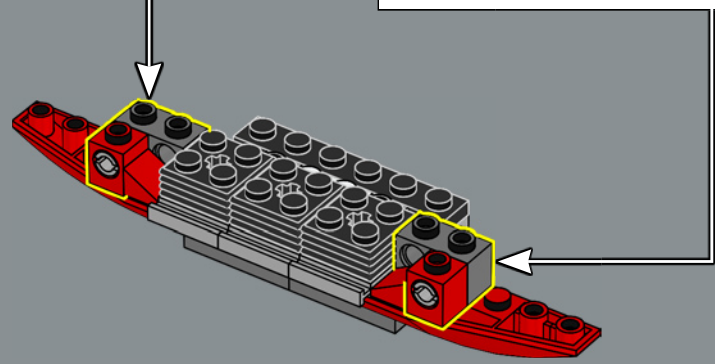
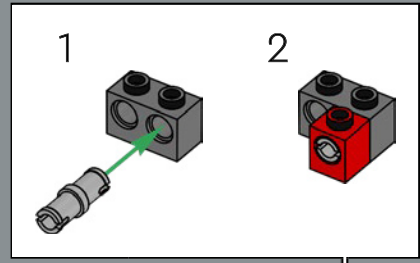
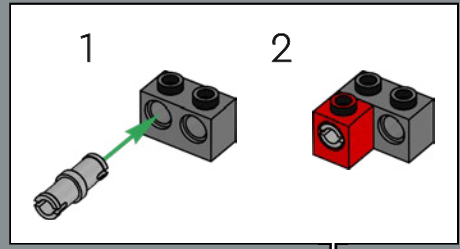


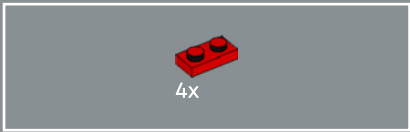


183

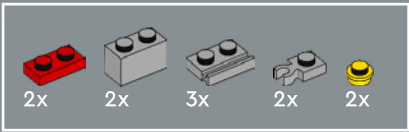
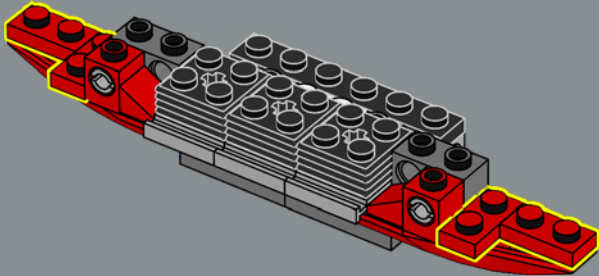


184

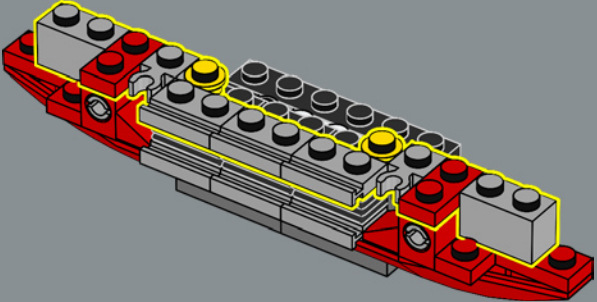


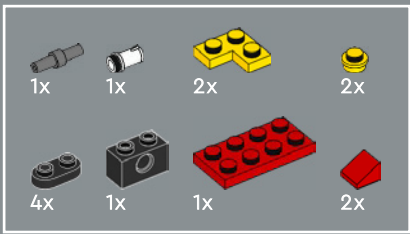


185

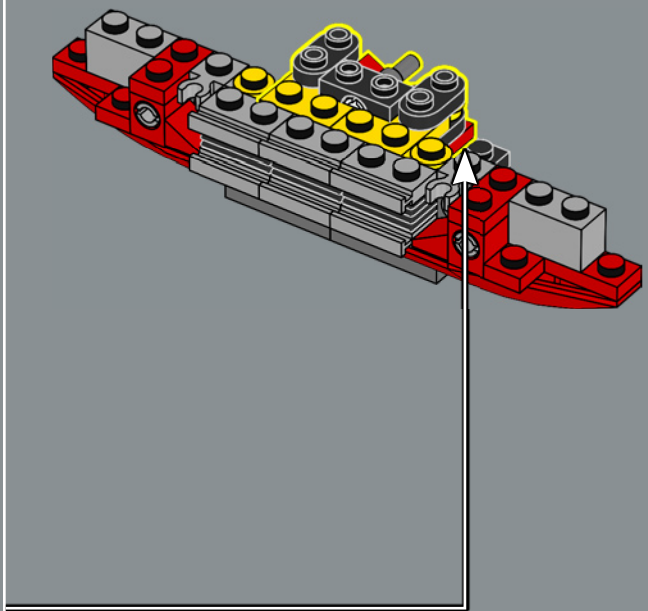
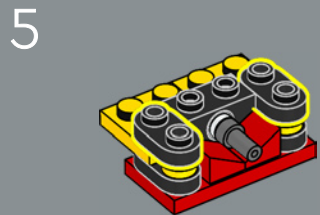
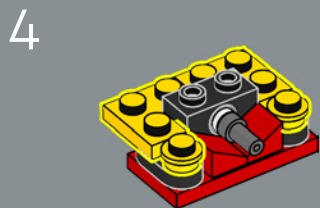
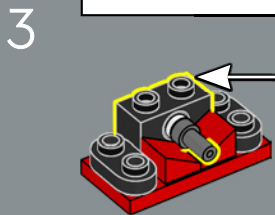
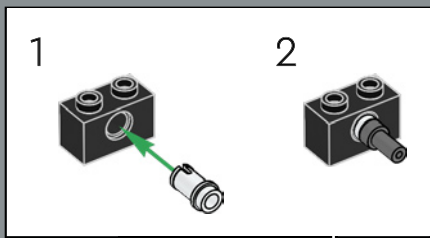
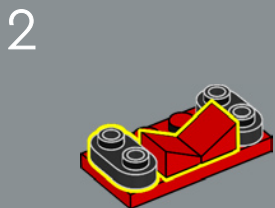
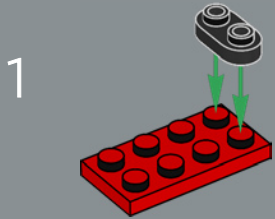


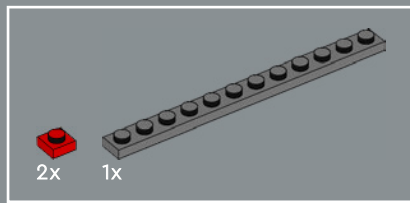
186



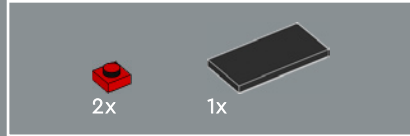
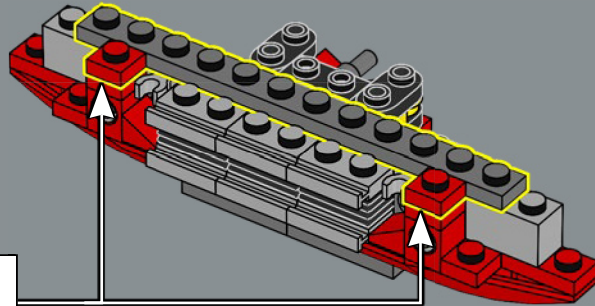


187

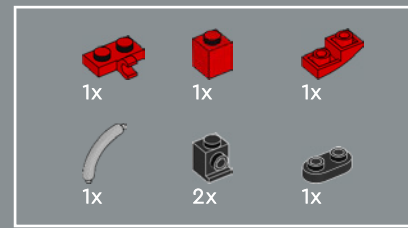
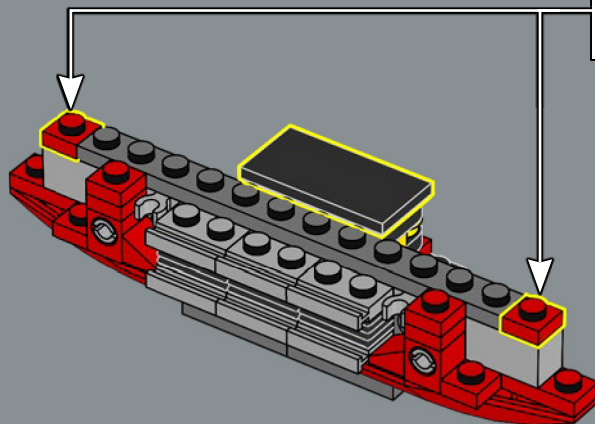




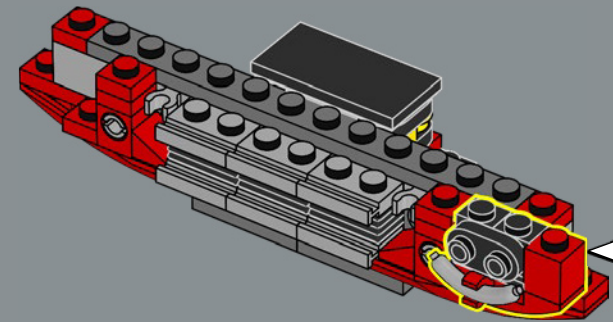
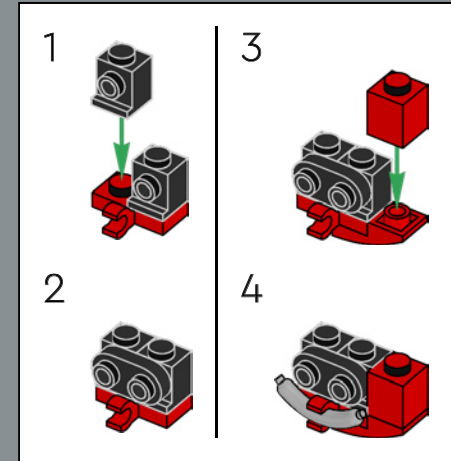
188

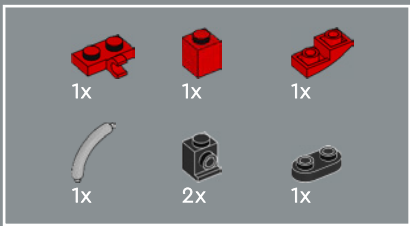


189

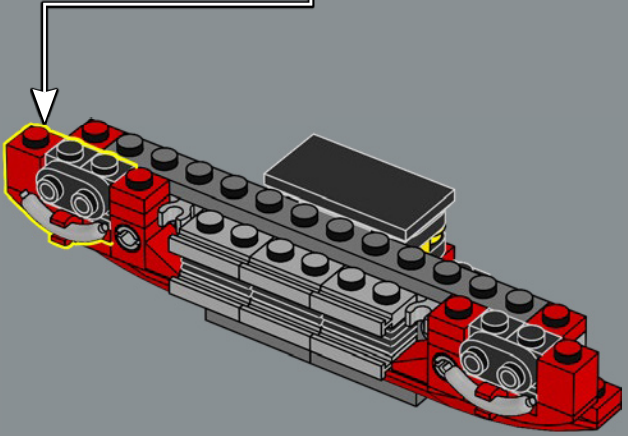
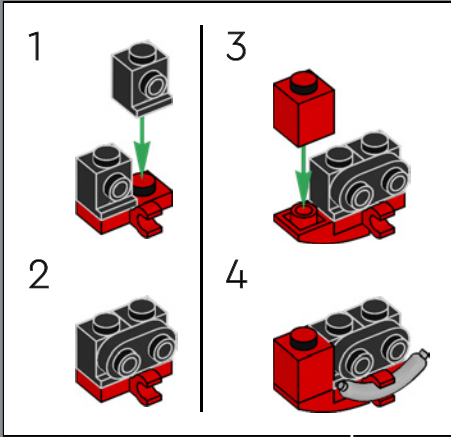


190

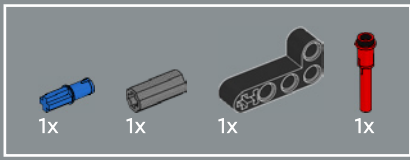
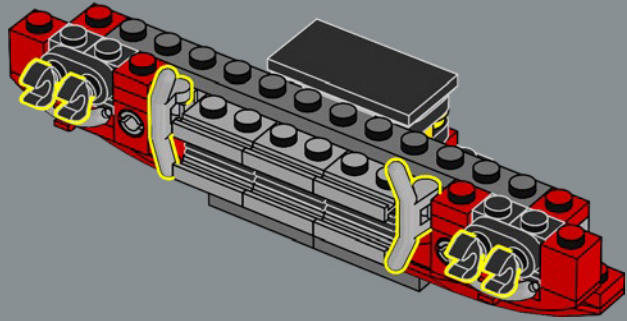




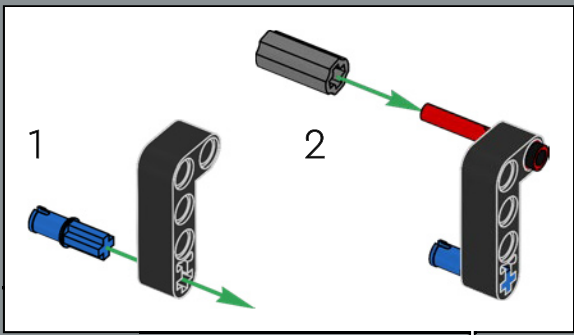
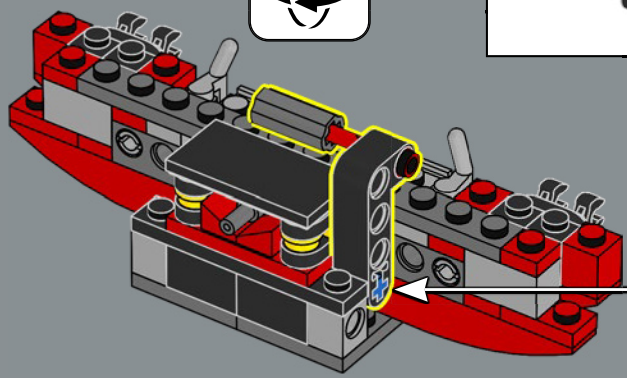
191

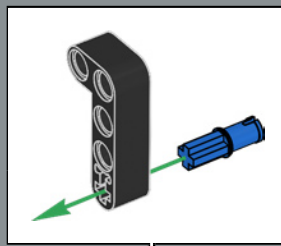
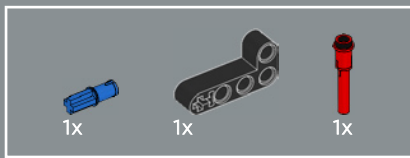


192

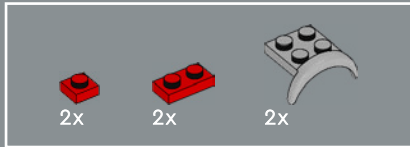
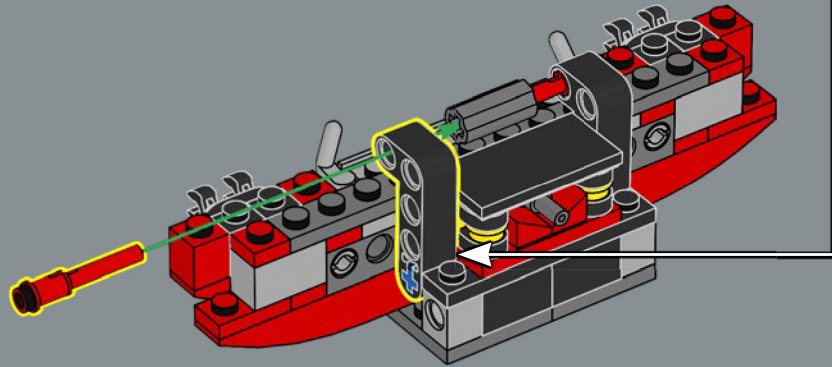


193

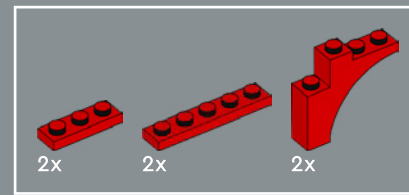
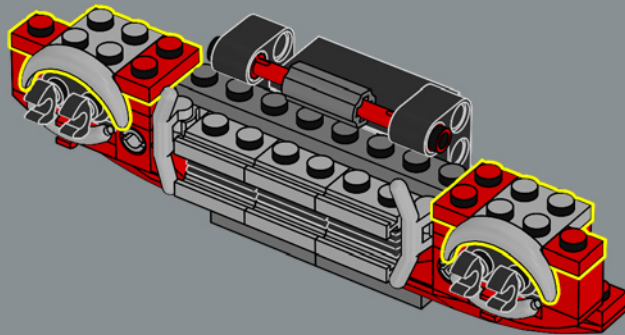




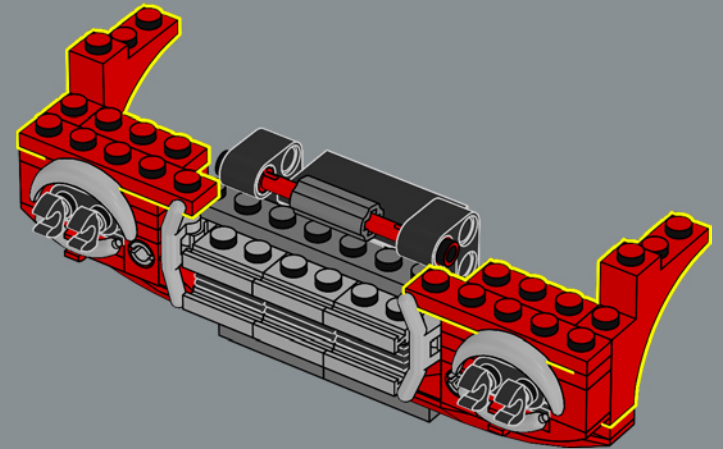
194

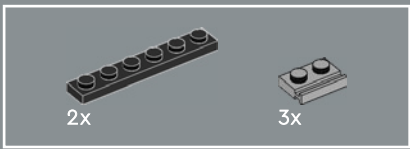


195

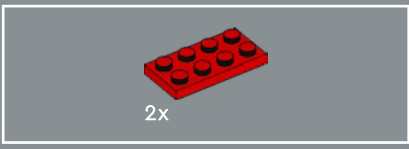
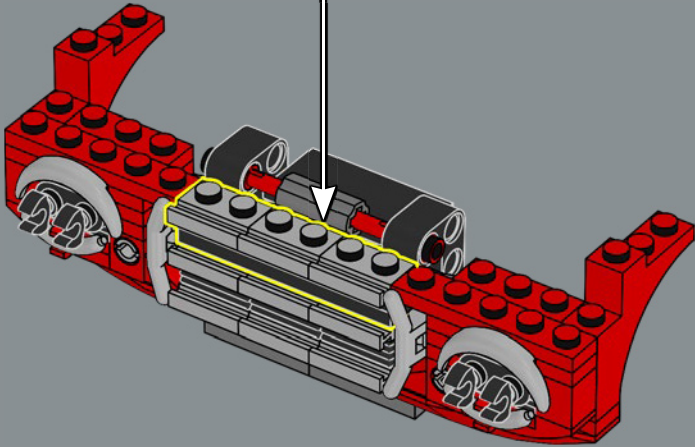
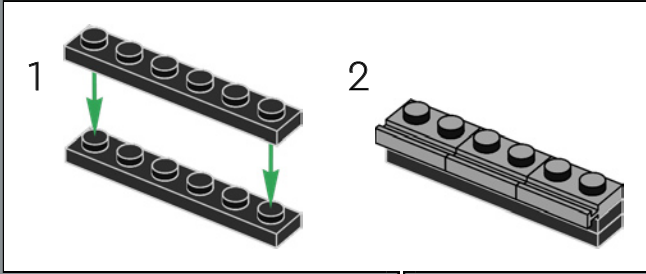


196

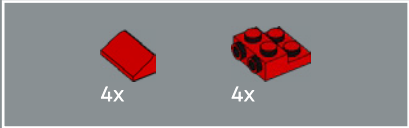
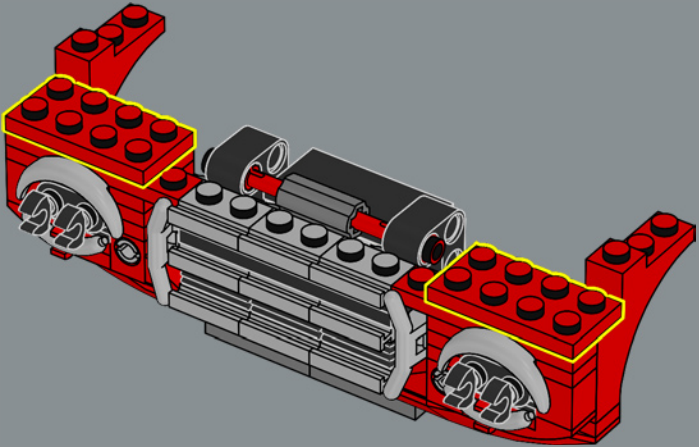




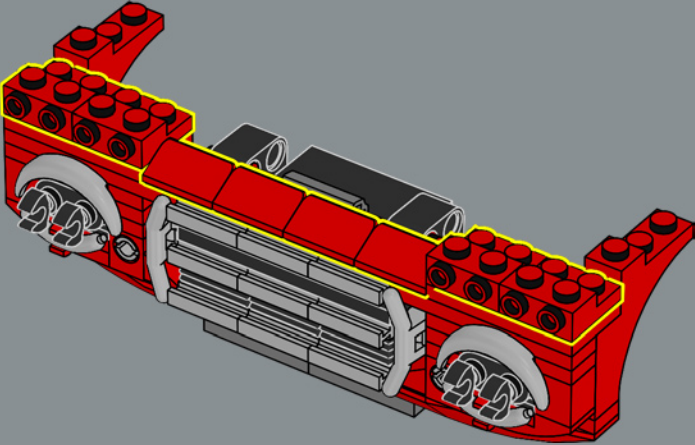
197

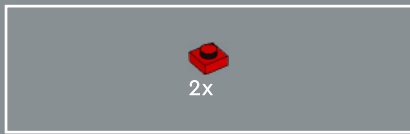


198

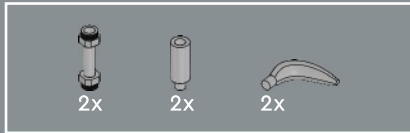
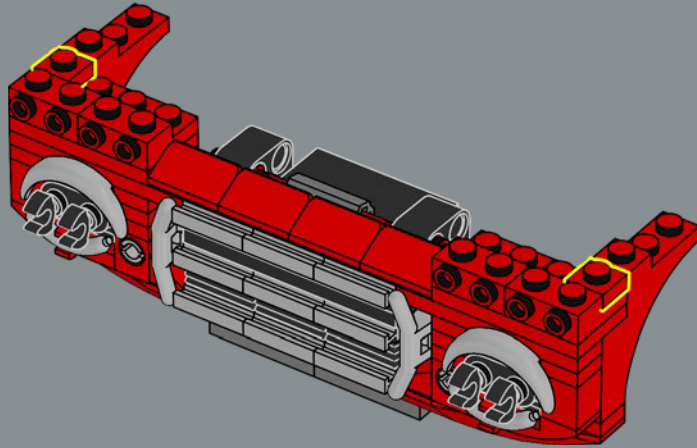


199

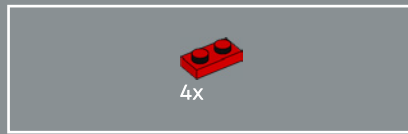
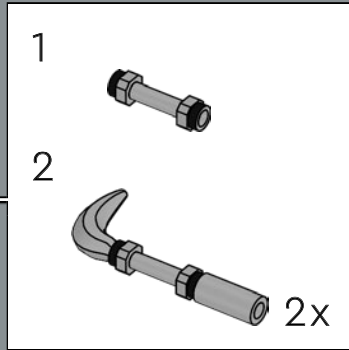
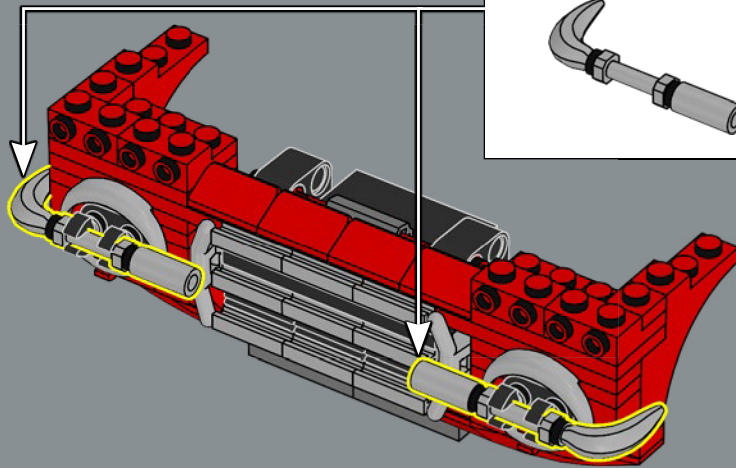




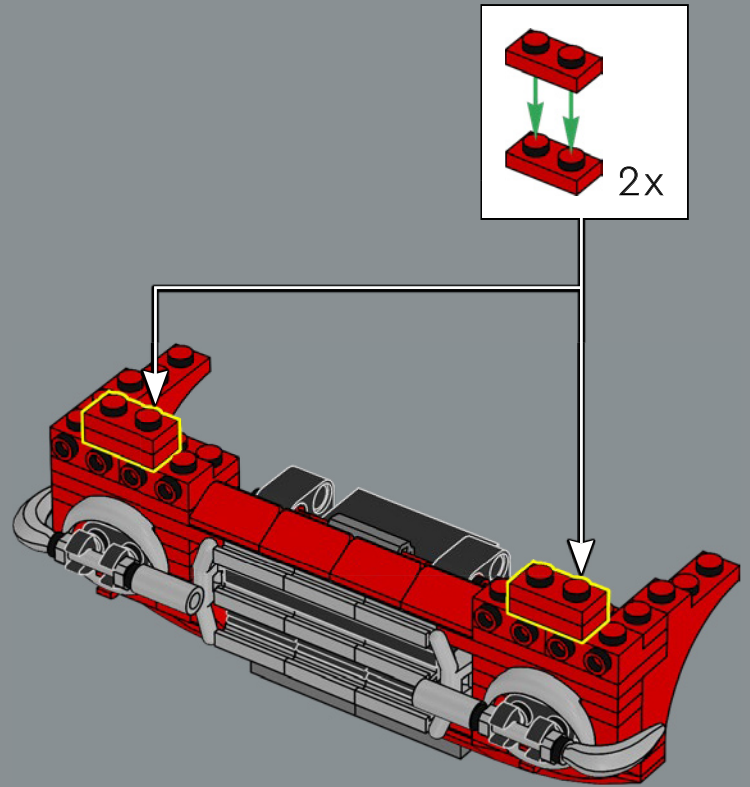
200



201



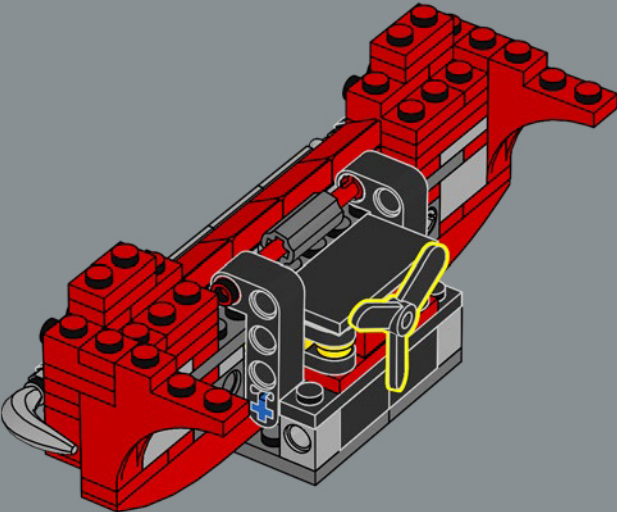
202



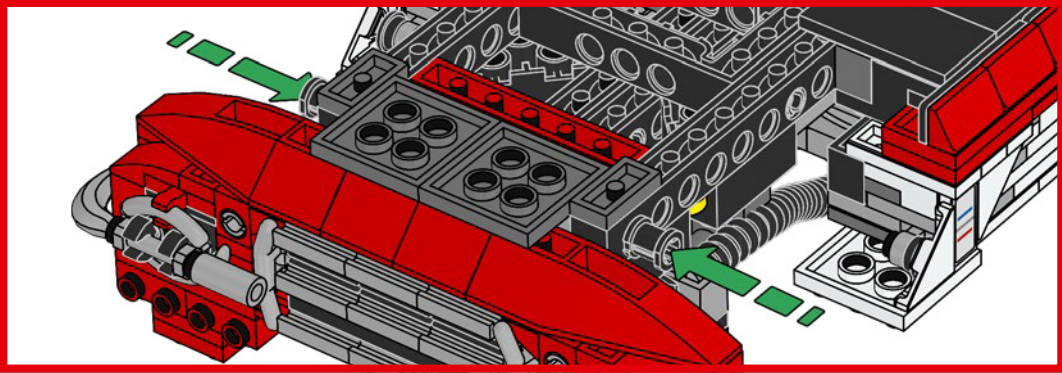
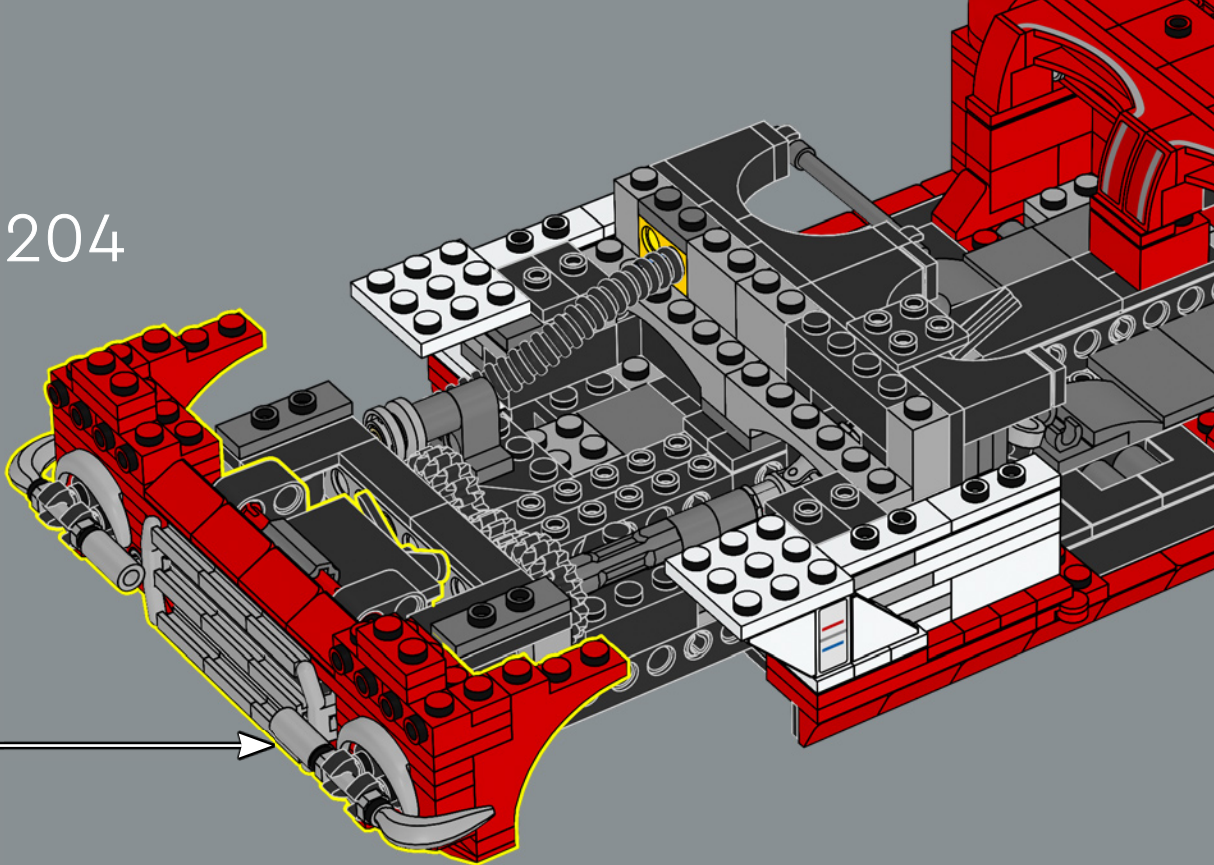
Parts of the front design are created with the help of recoloured LEGO® sausage and banana elements!

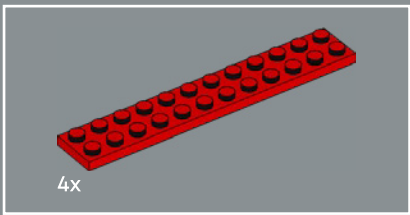


203

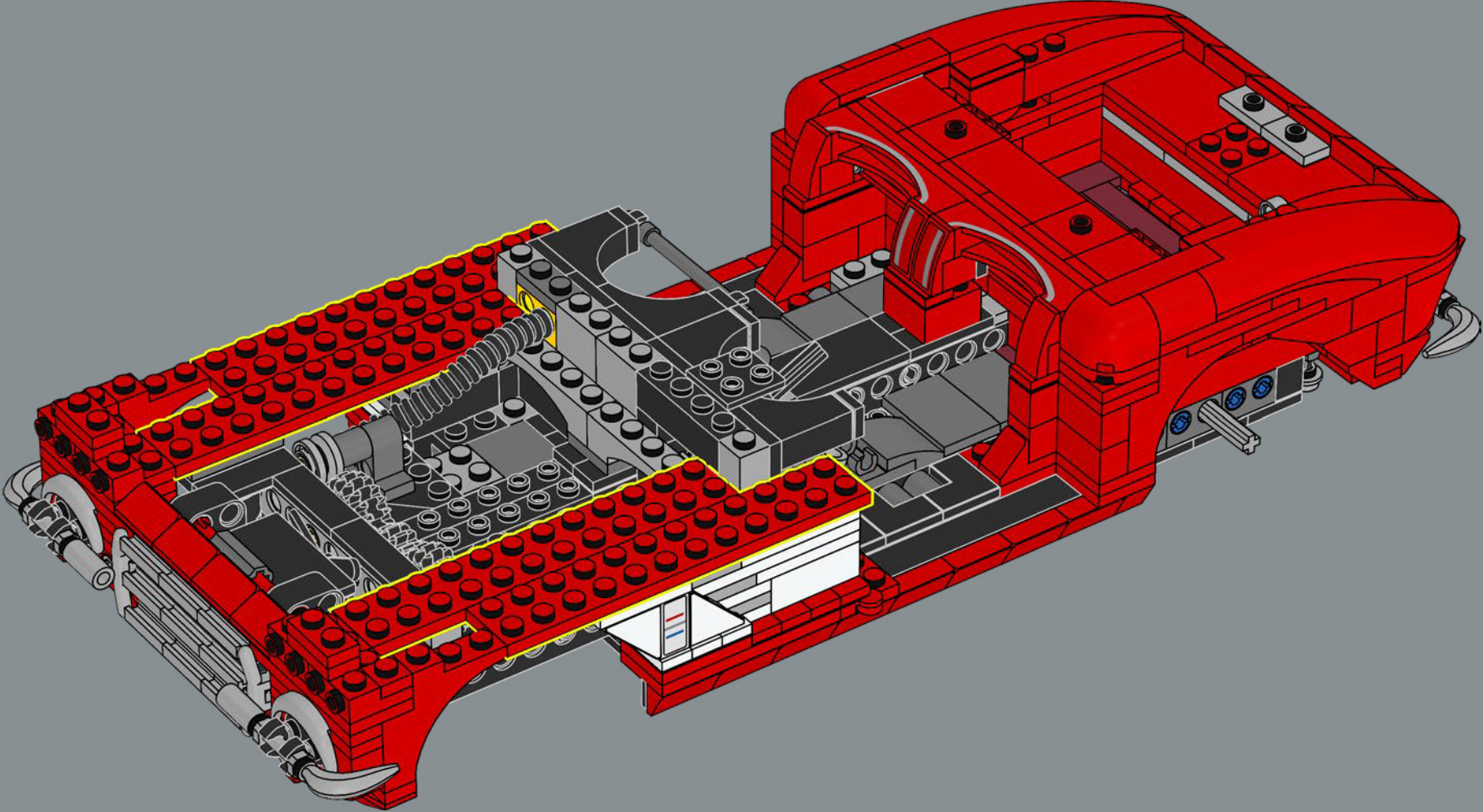


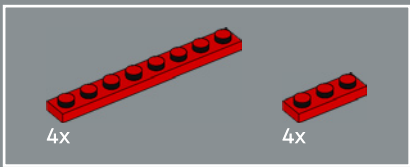
204



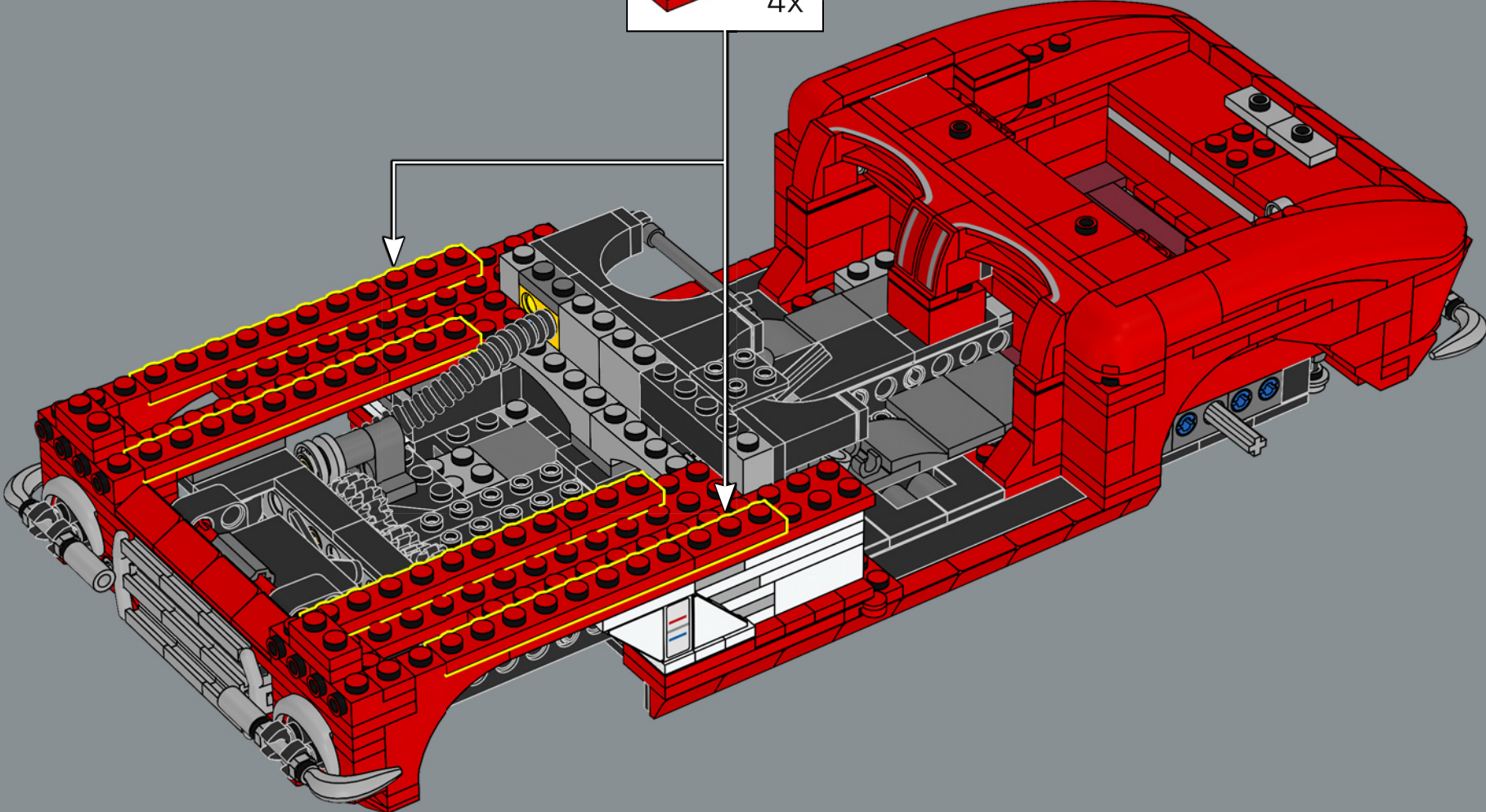
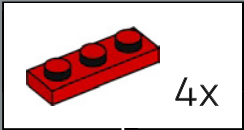


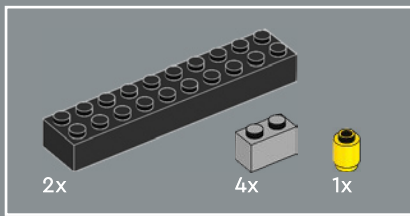
205



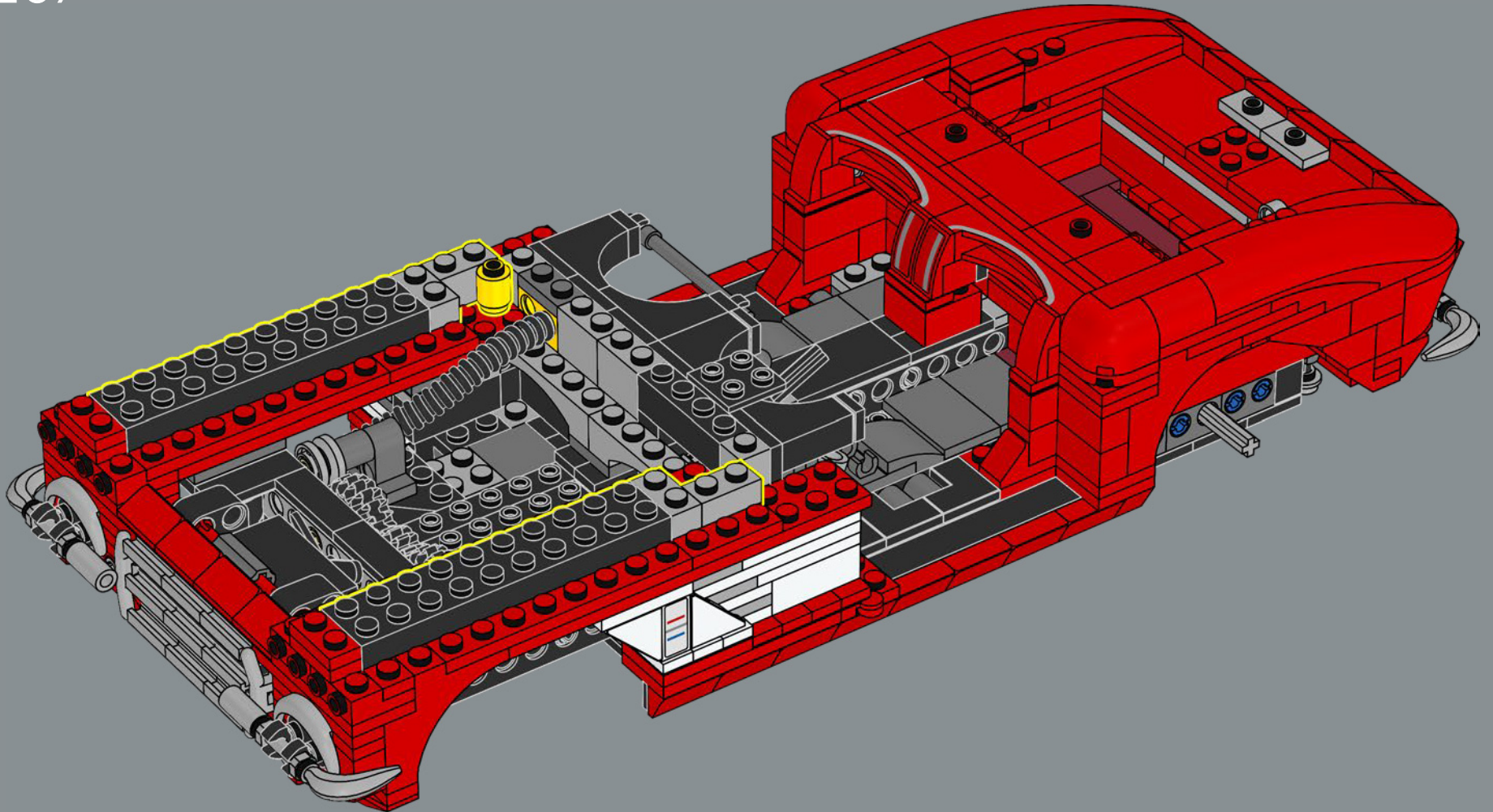


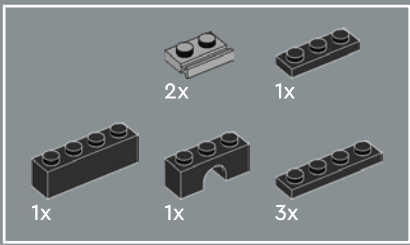
206



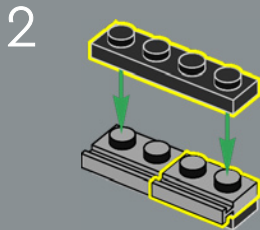
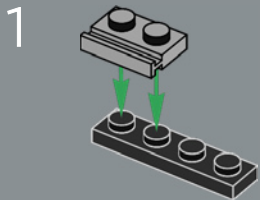


207

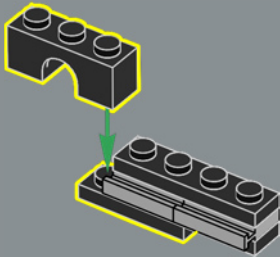




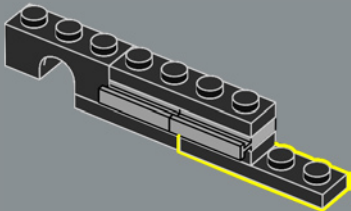
208



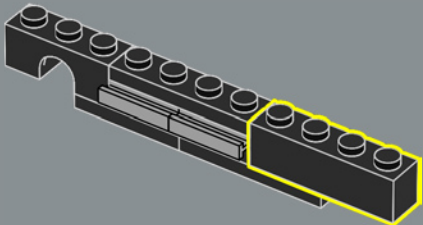
3

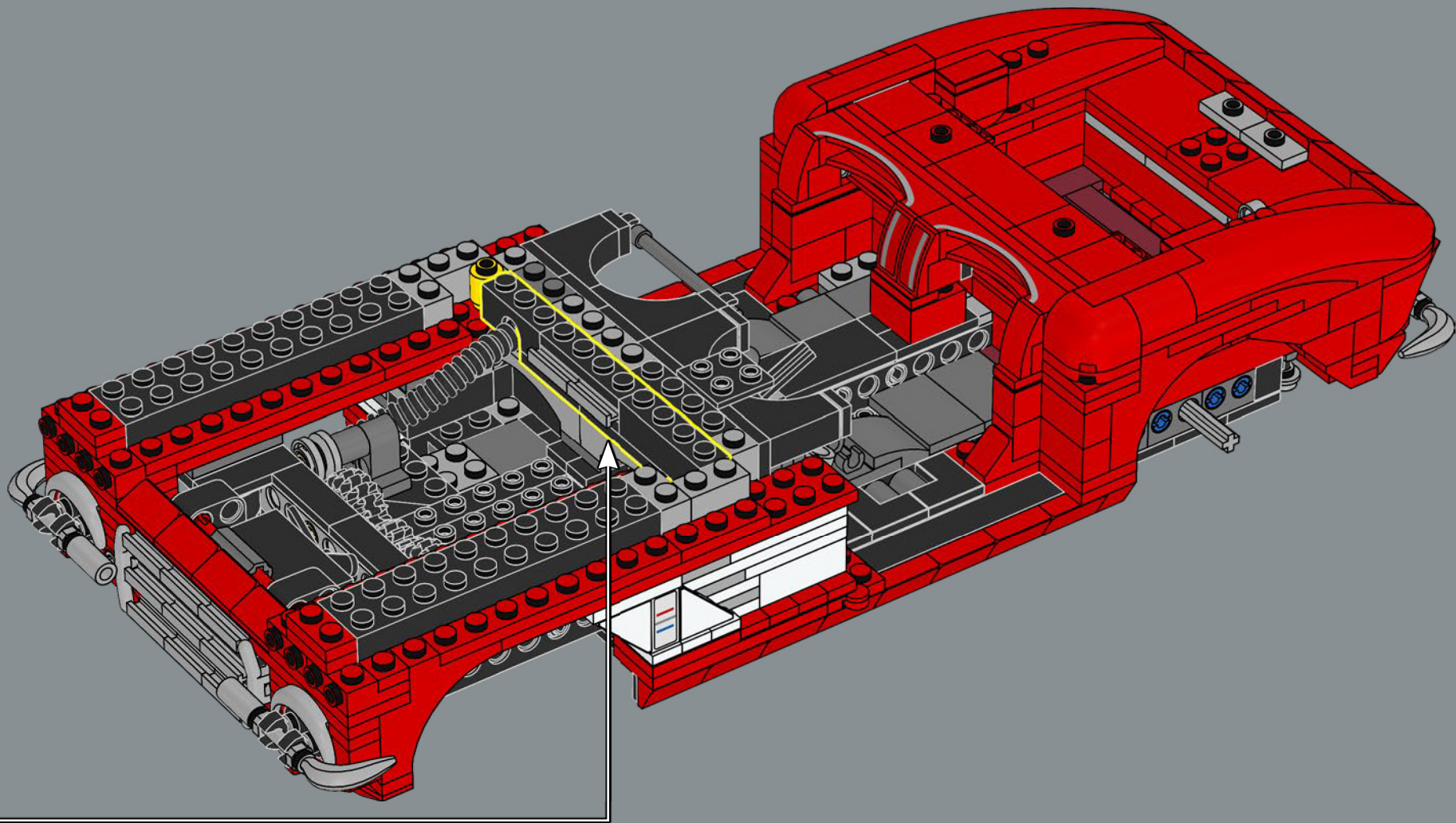


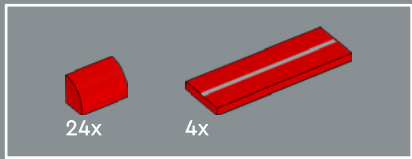
4



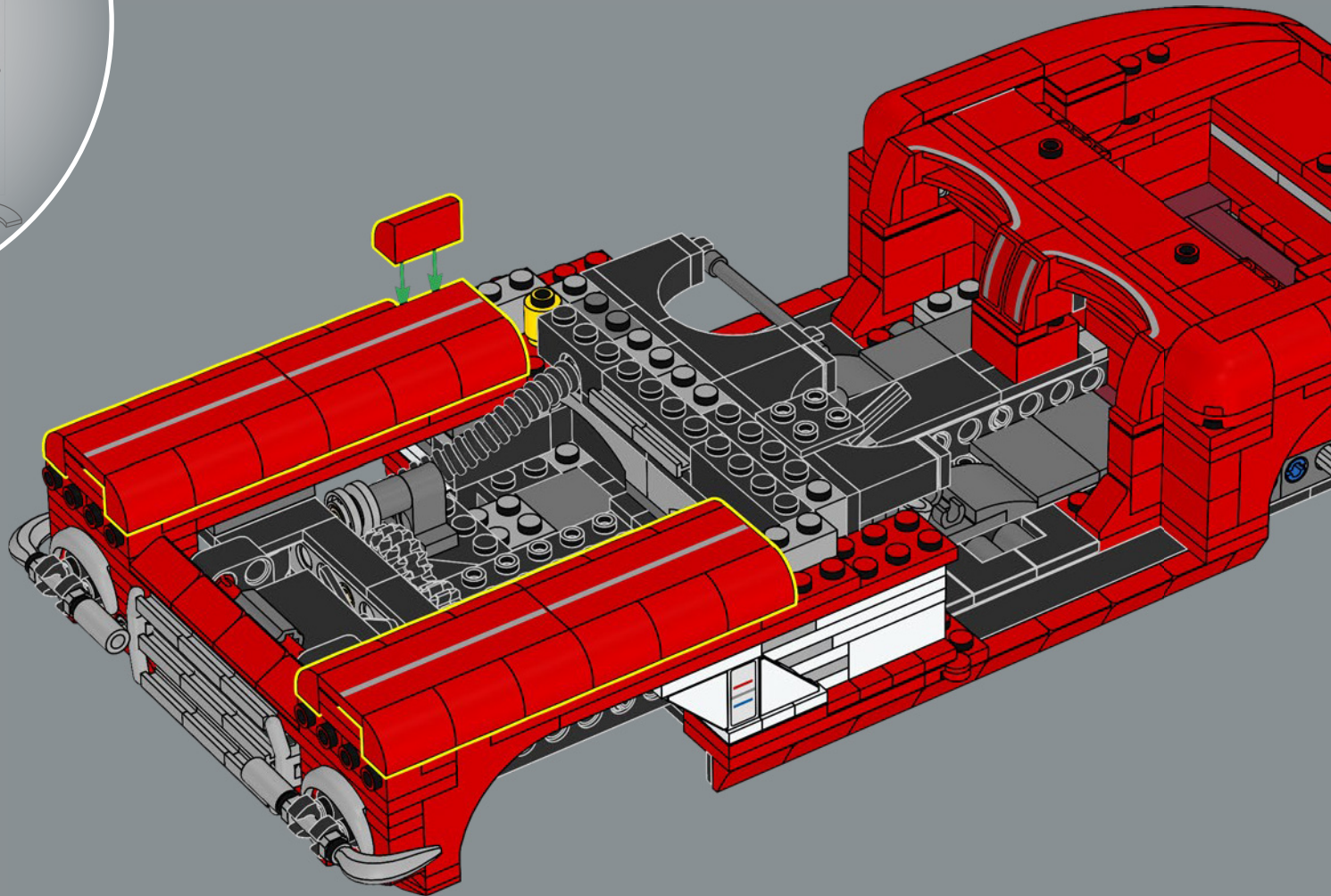
5

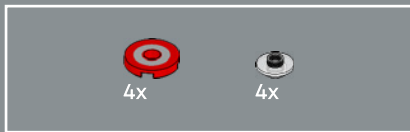




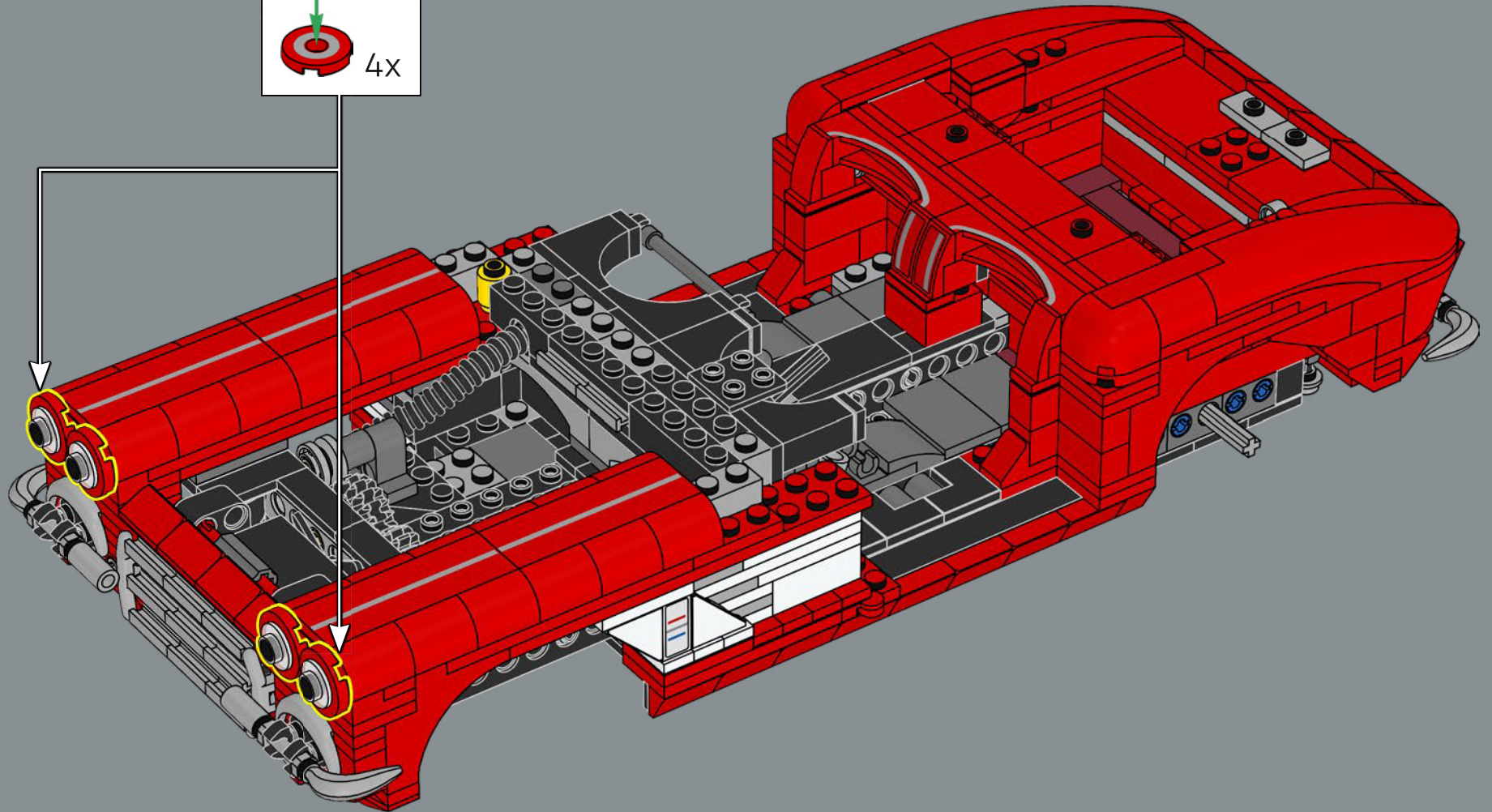
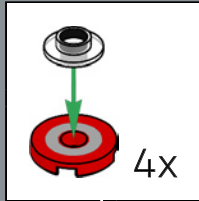


209



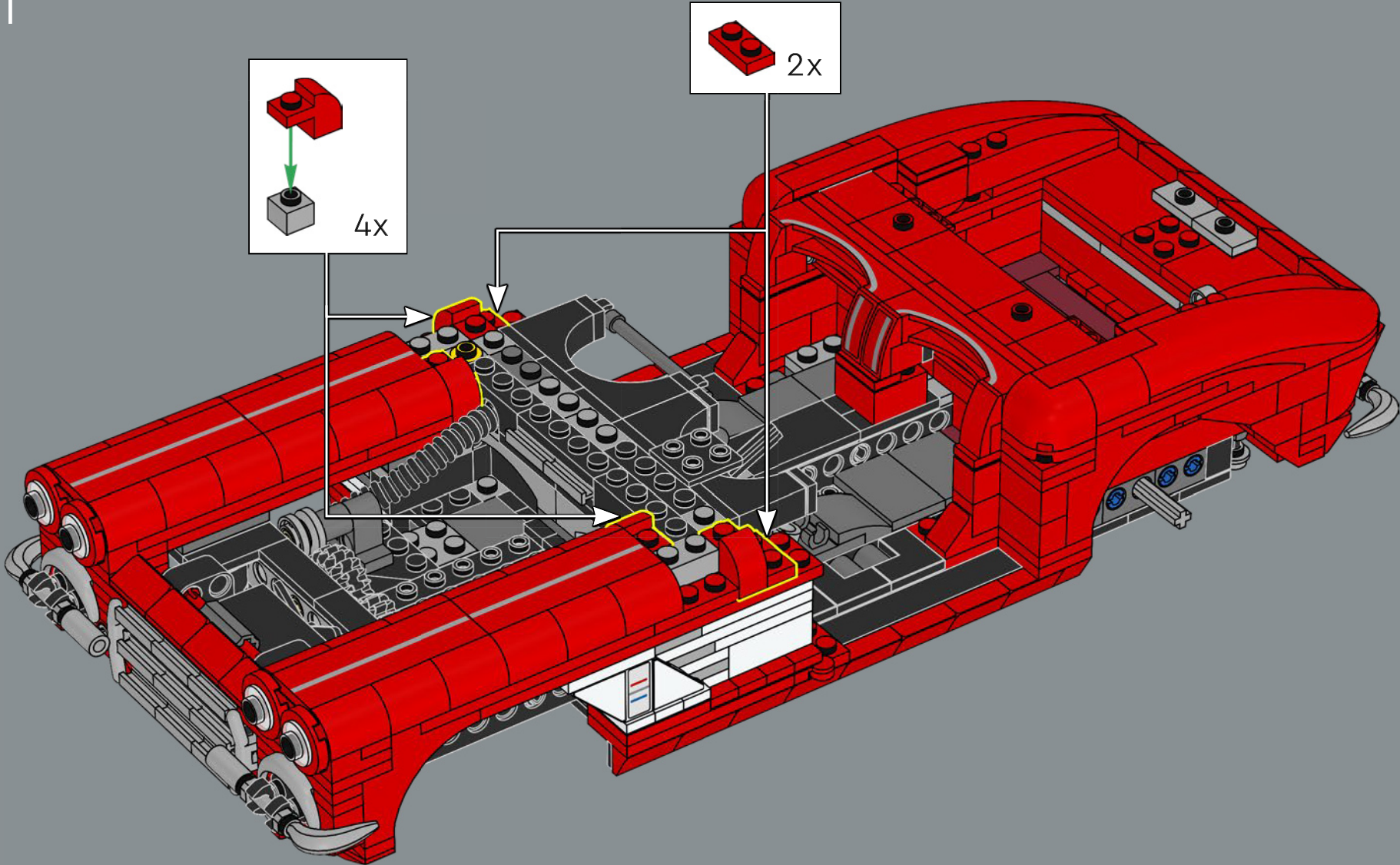


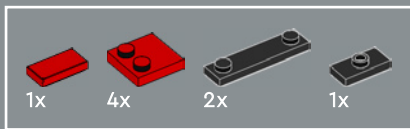
210



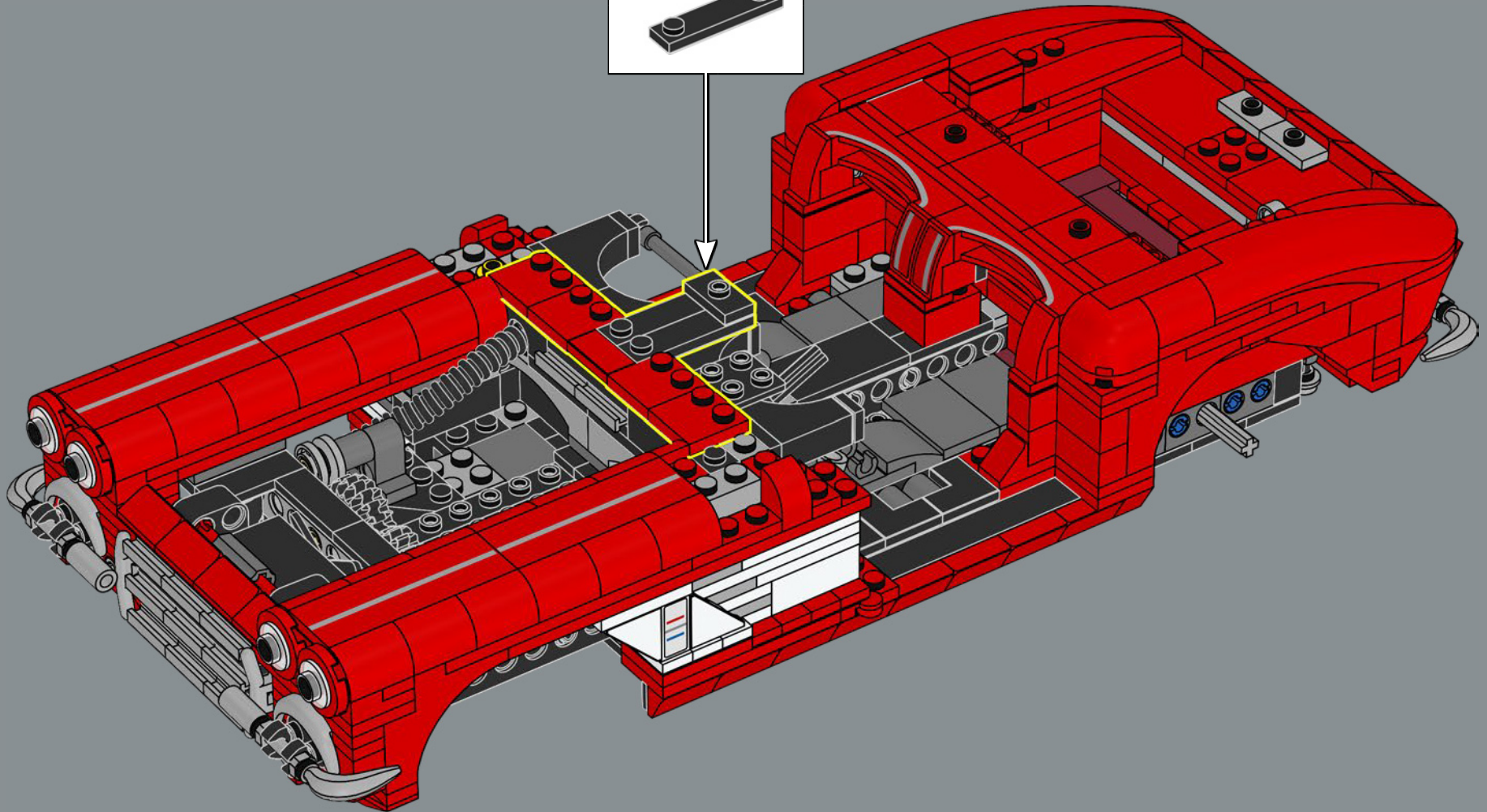
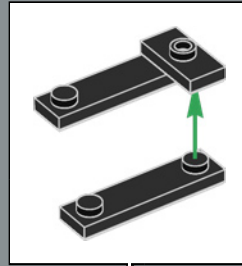


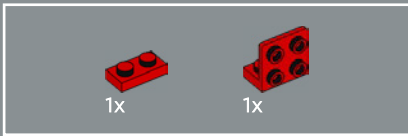
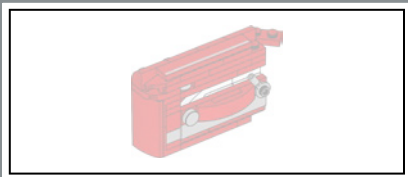
211



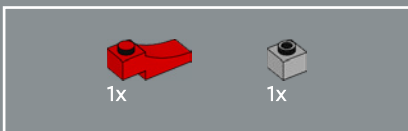
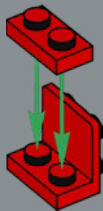


212

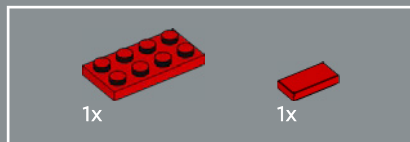
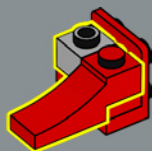




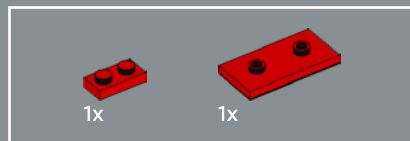
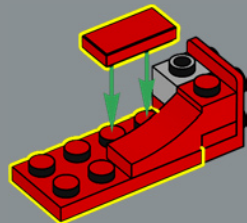
213



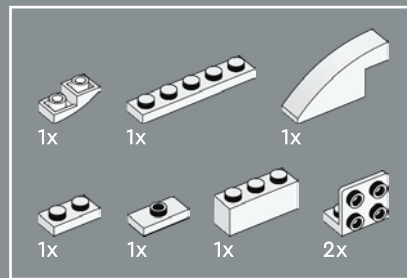
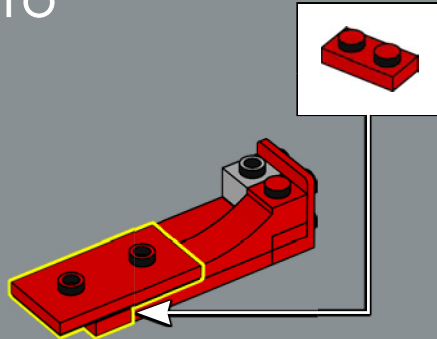
214



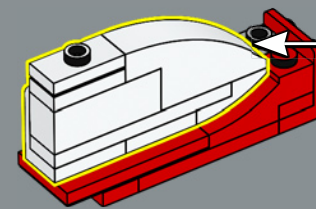
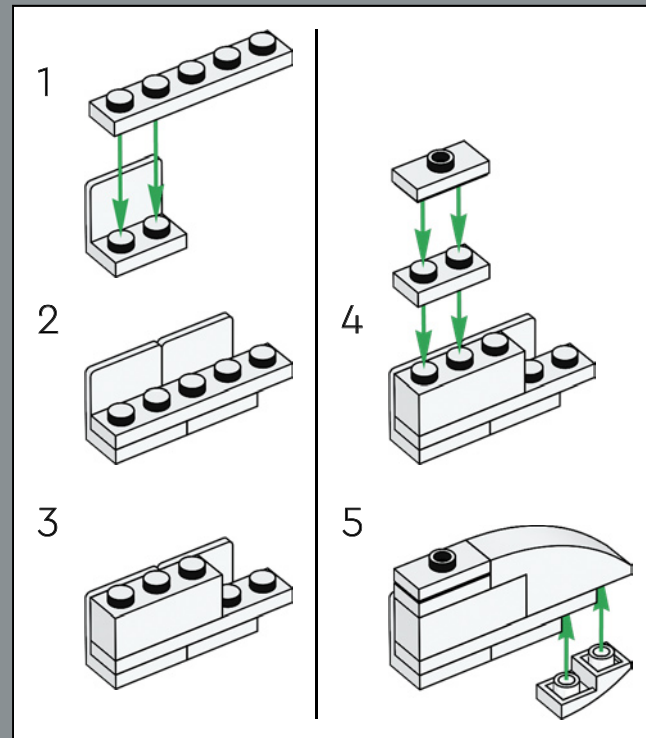
215

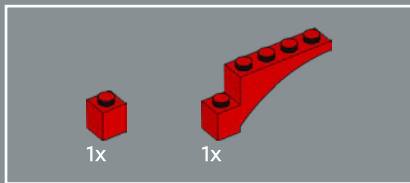


216



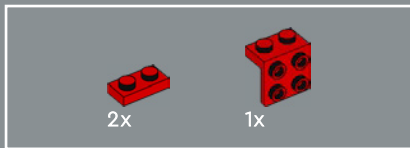
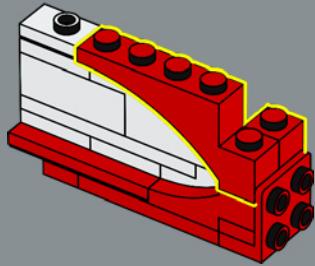
217



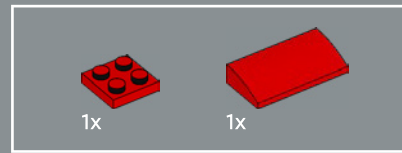
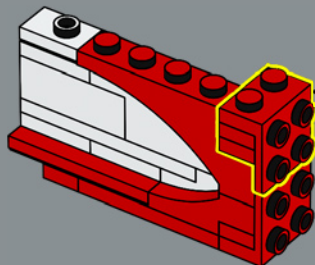
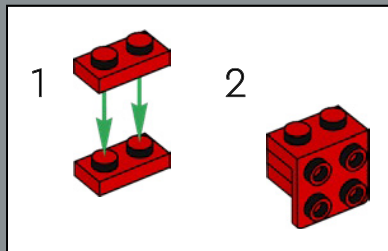


The exterior side panels include two new elements – a bow shape and an arch shape – to recreate the iconic curves.

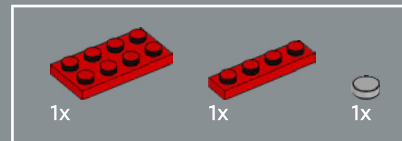
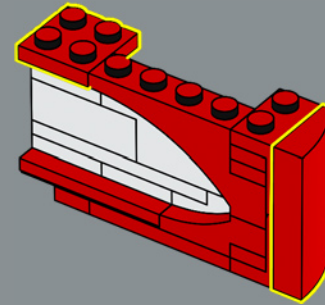
218



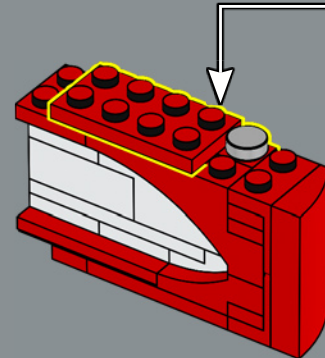
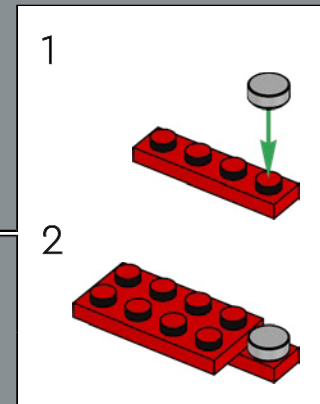
219

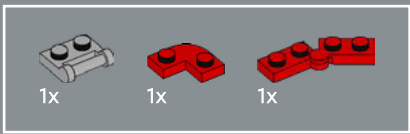


220

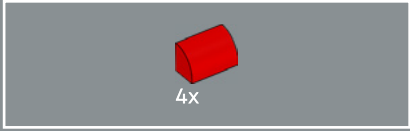
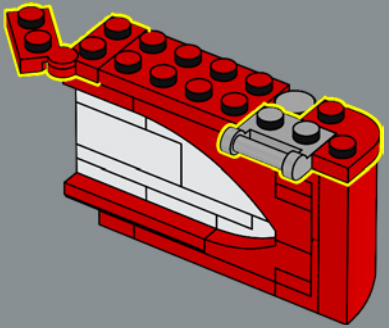


221

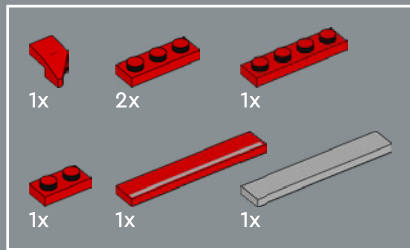
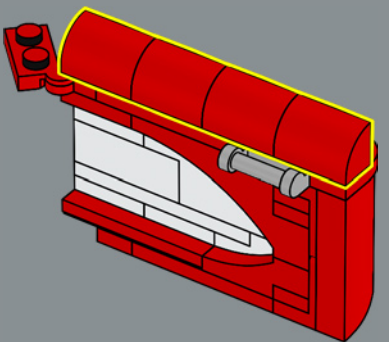




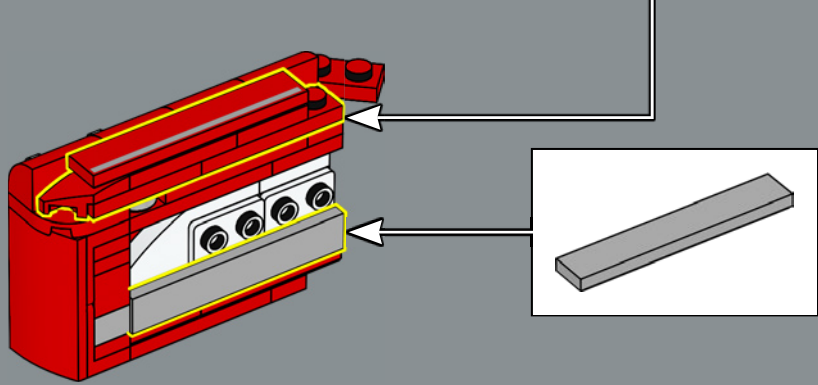
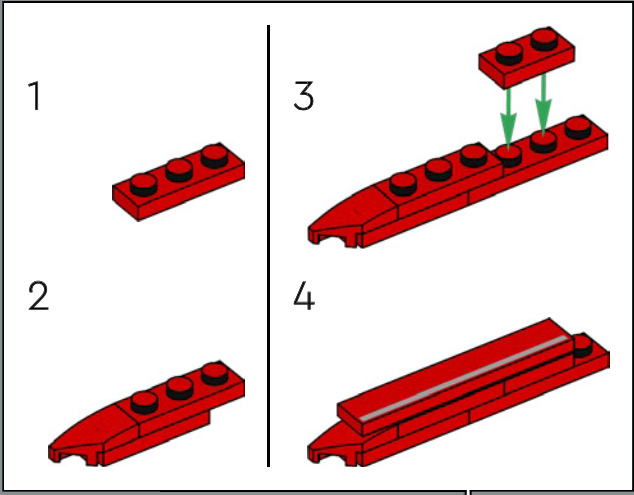
222

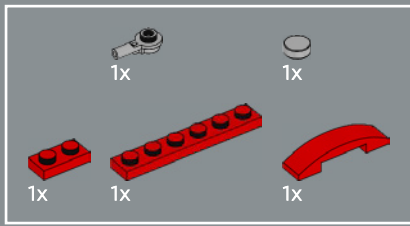


223

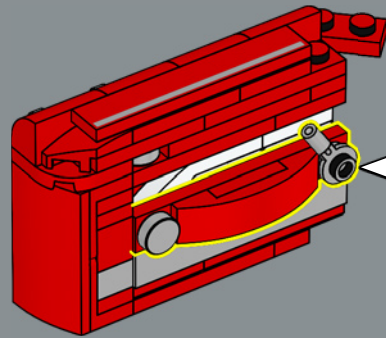
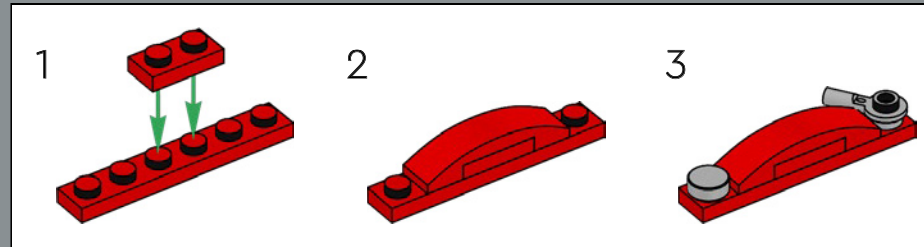


224

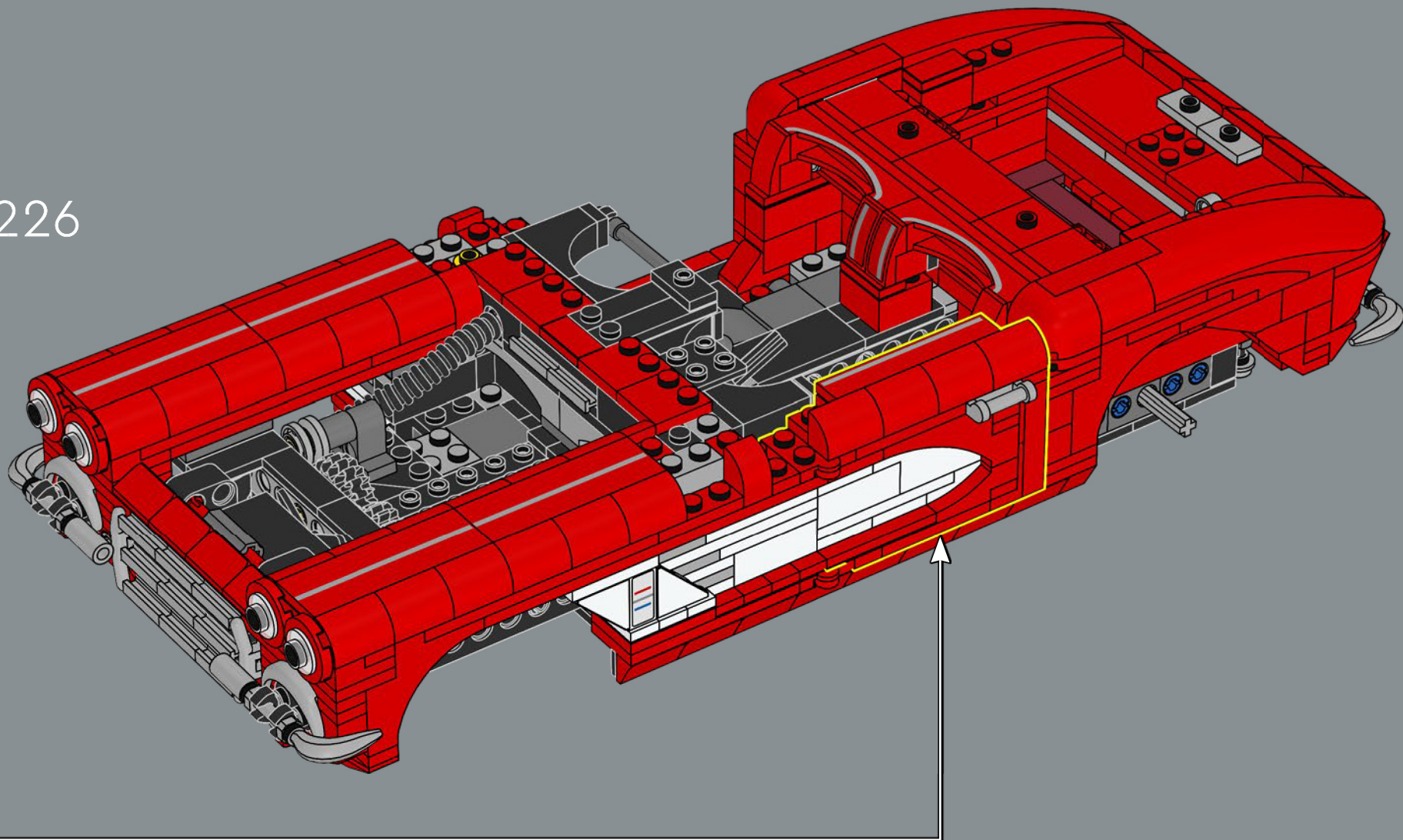


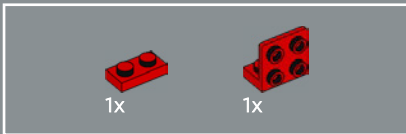
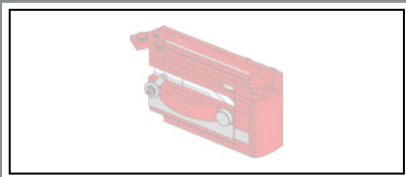


225

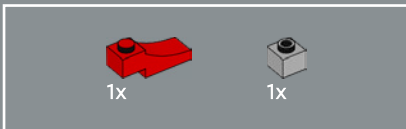
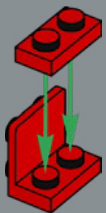


226

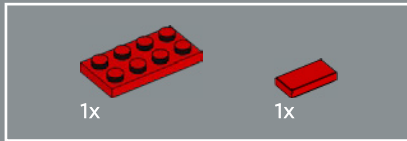
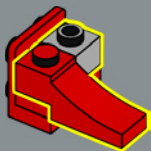




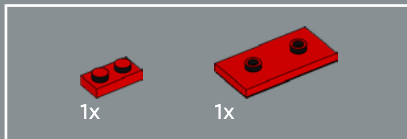
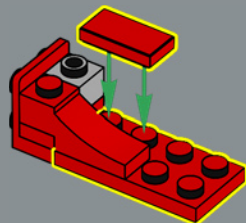
227



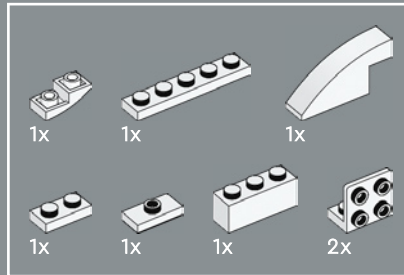
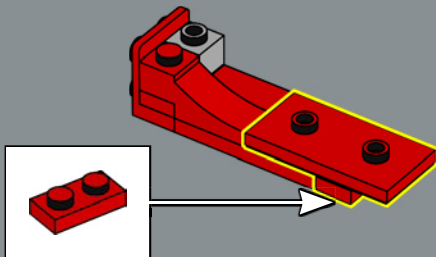
228



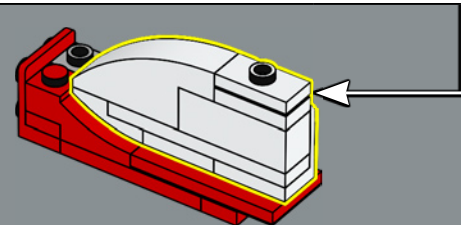
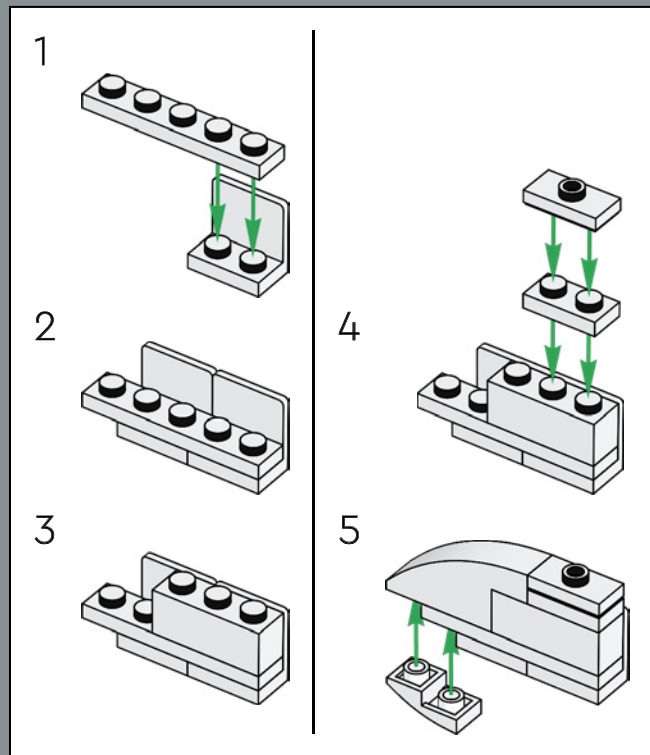
229

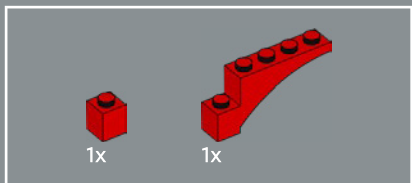


230

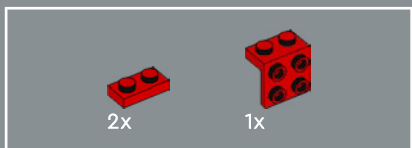
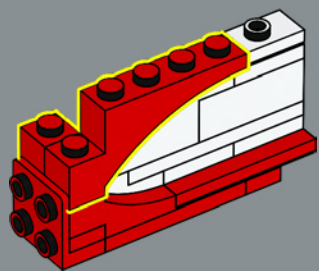


231

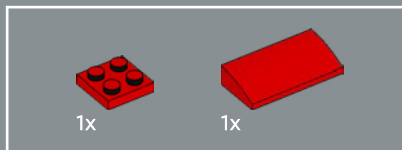
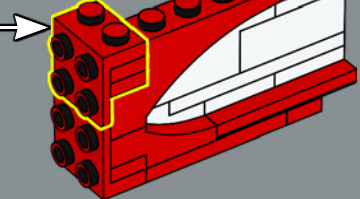
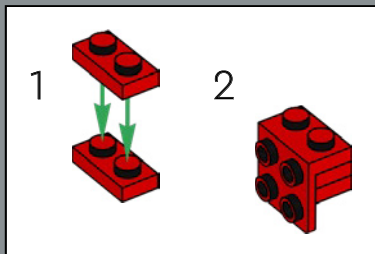




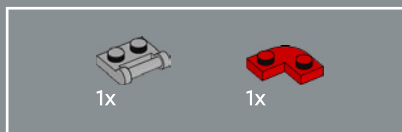
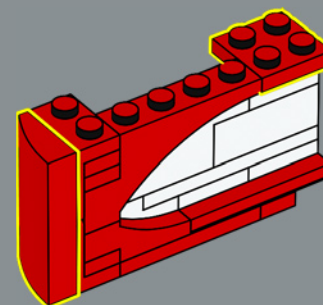
232



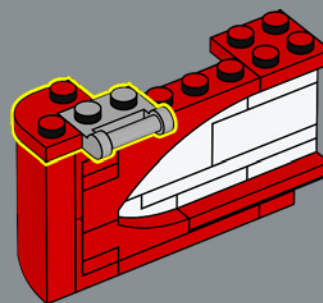
233

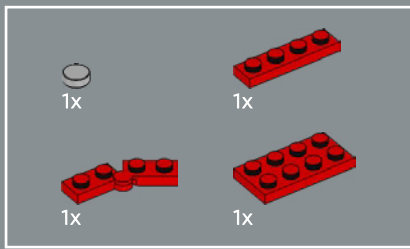


234

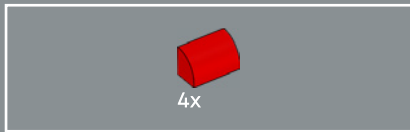
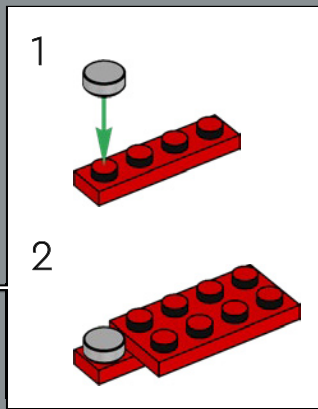
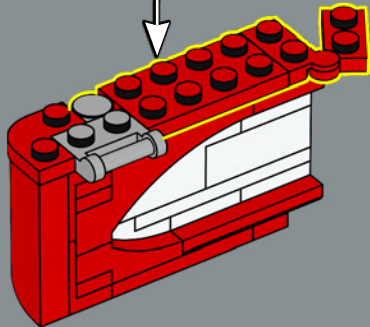


235

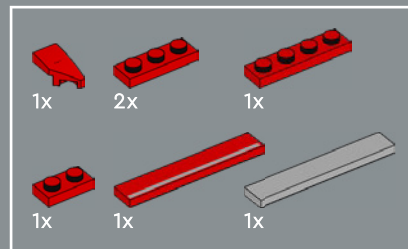
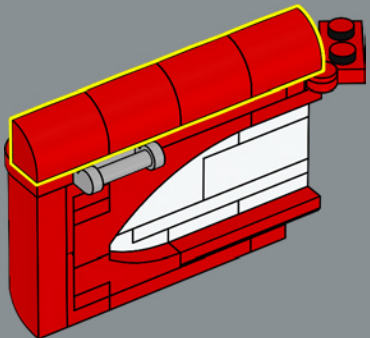




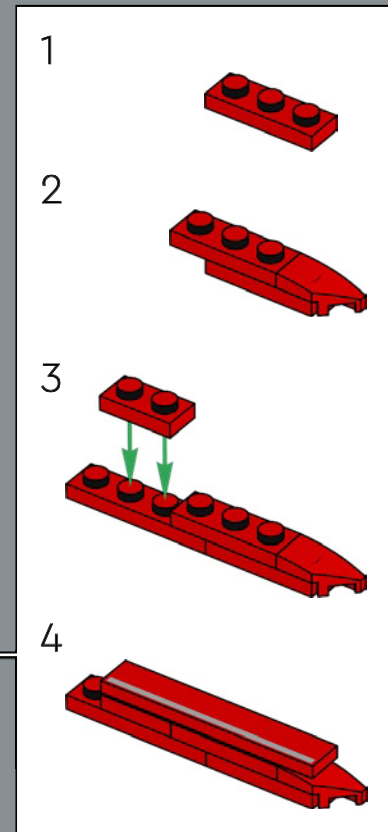
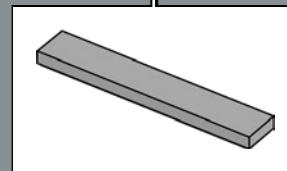
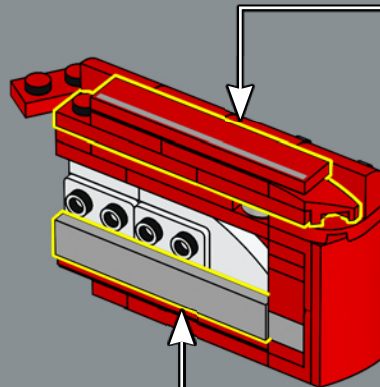
236

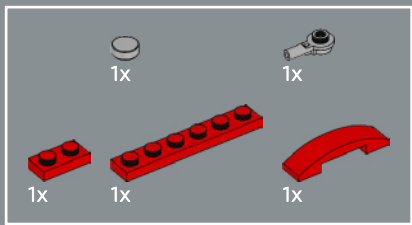


237

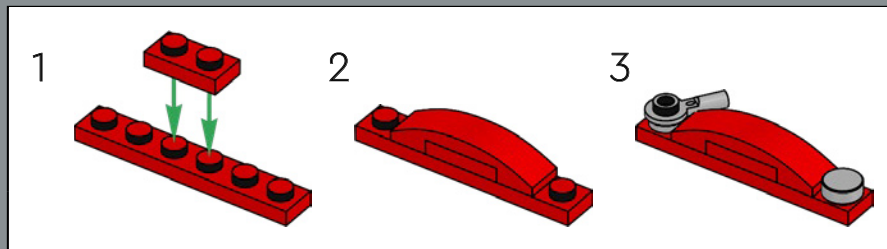
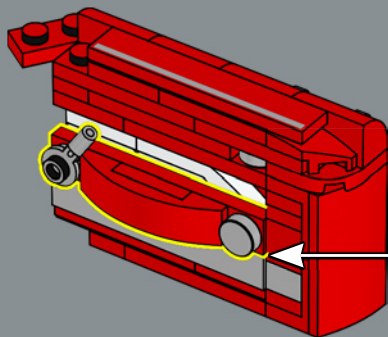


238





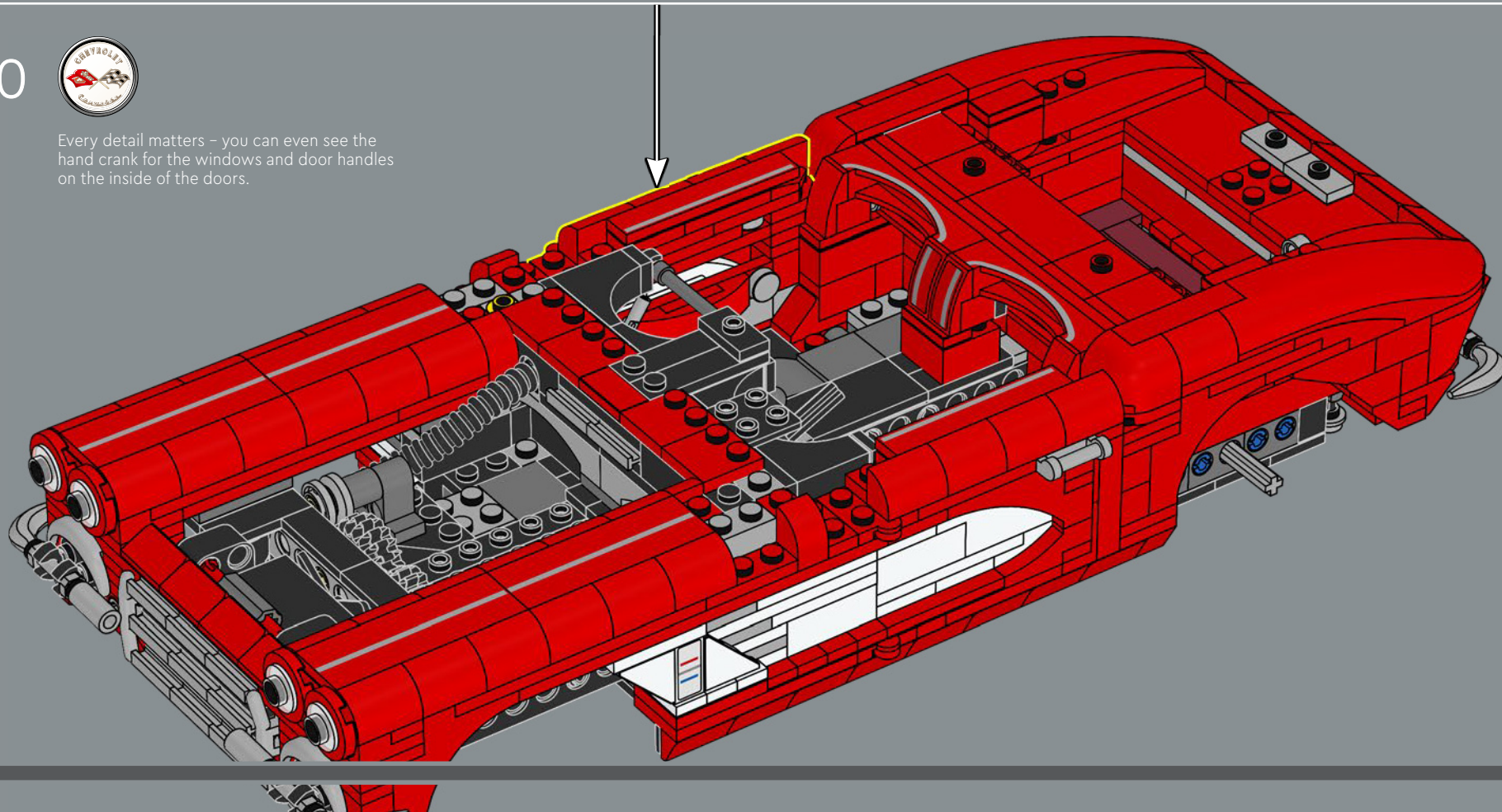
239

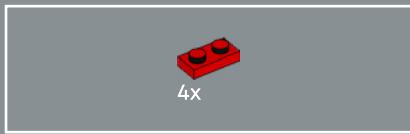


240

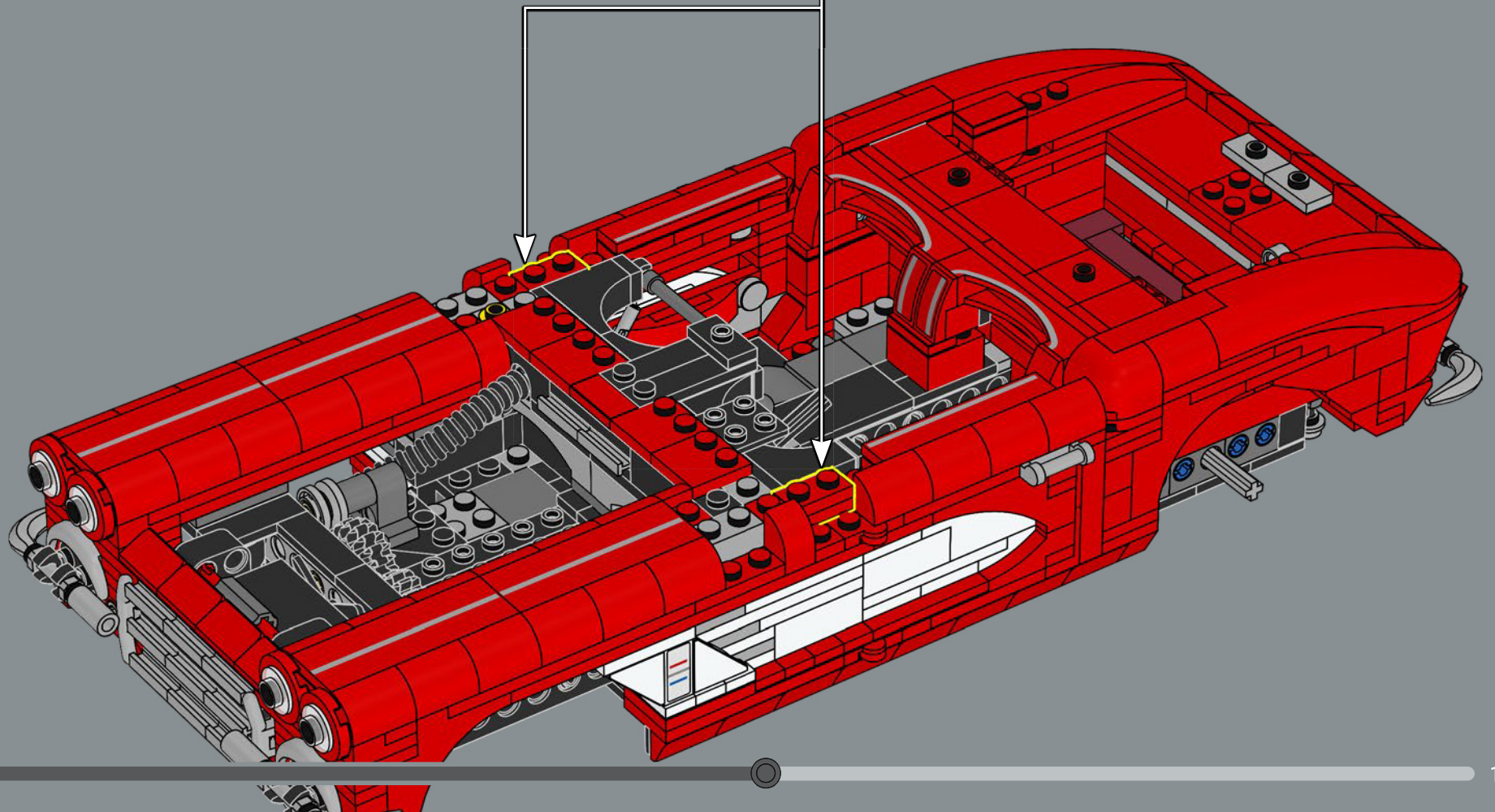
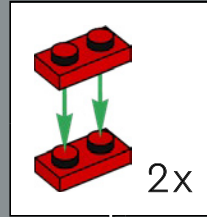


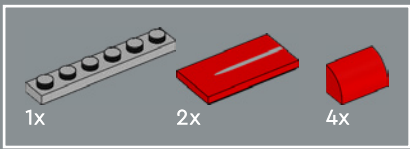
Every detail matters – you can even see the hand crank for the windows and door handles on the inside of the doors.



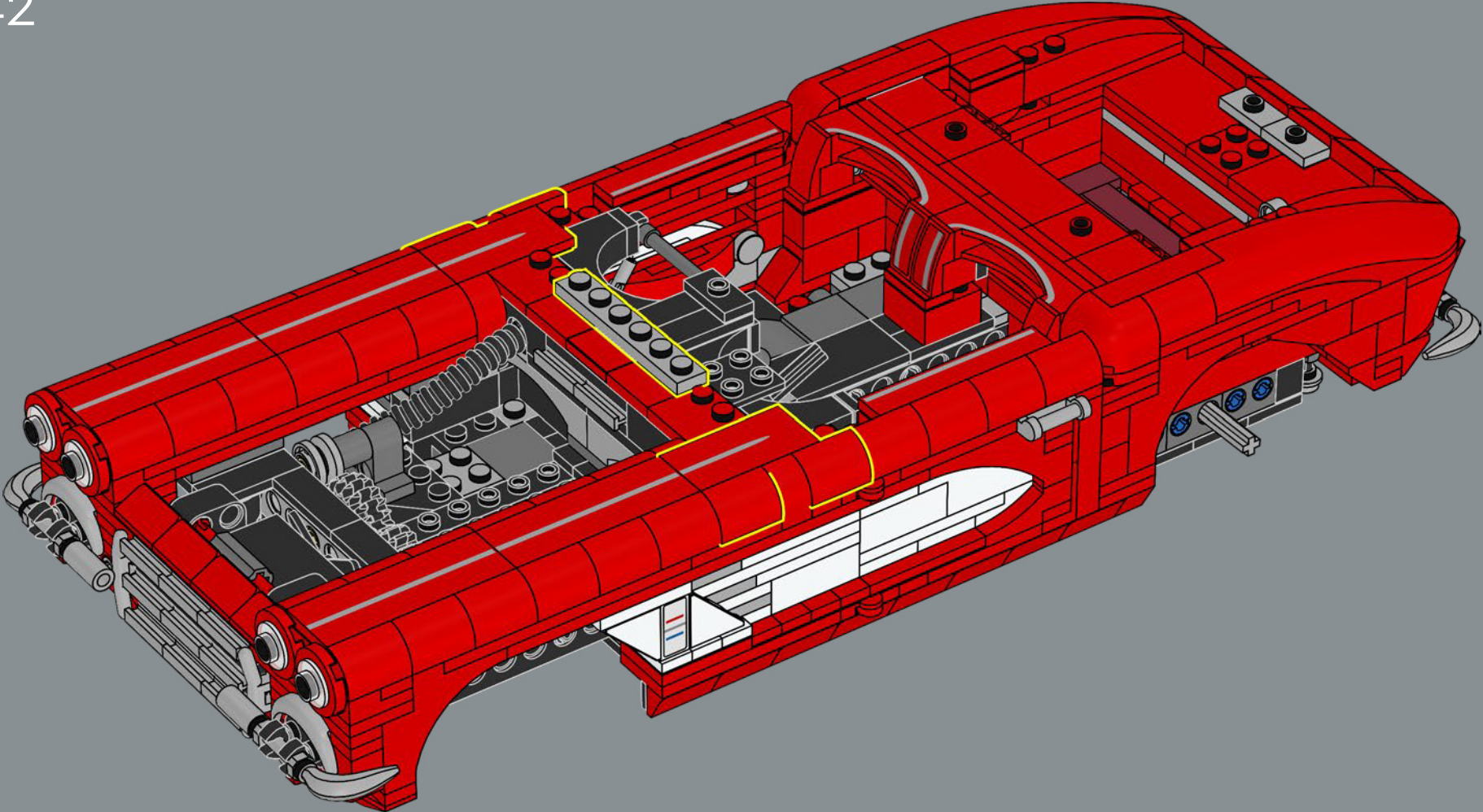


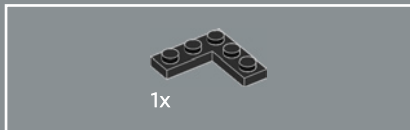
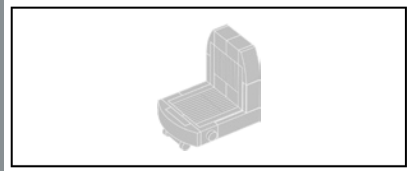
241



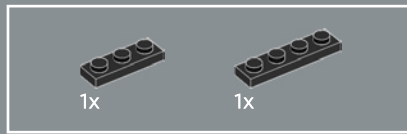
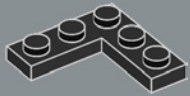


242

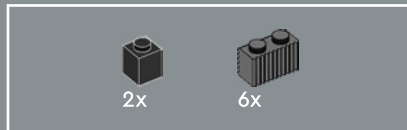
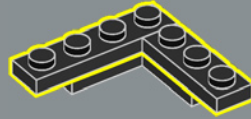




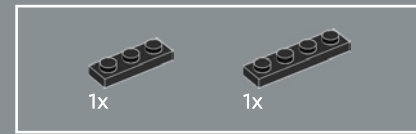
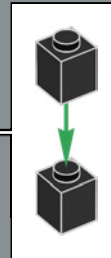
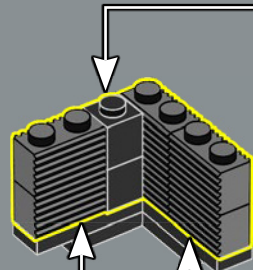
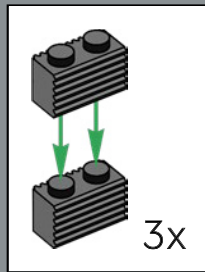
243



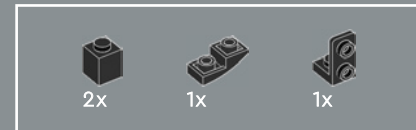
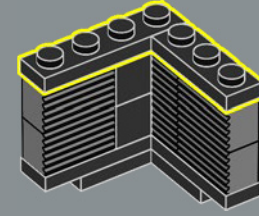
244



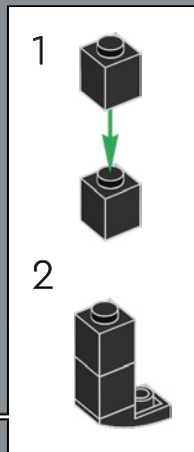
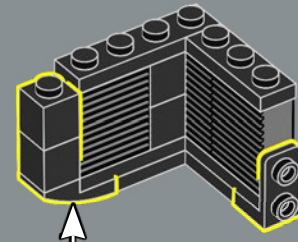
245

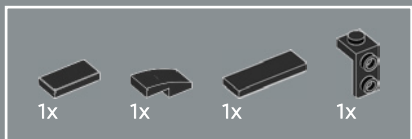


246

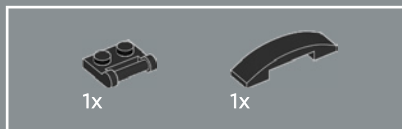
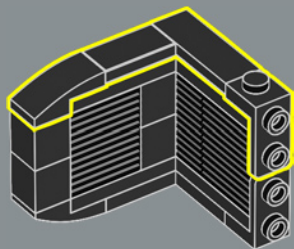


247

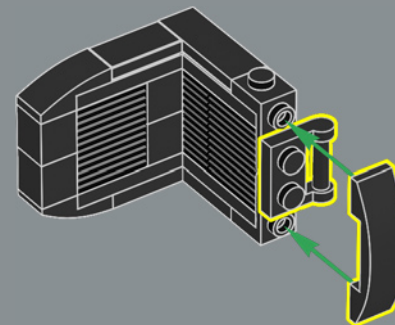




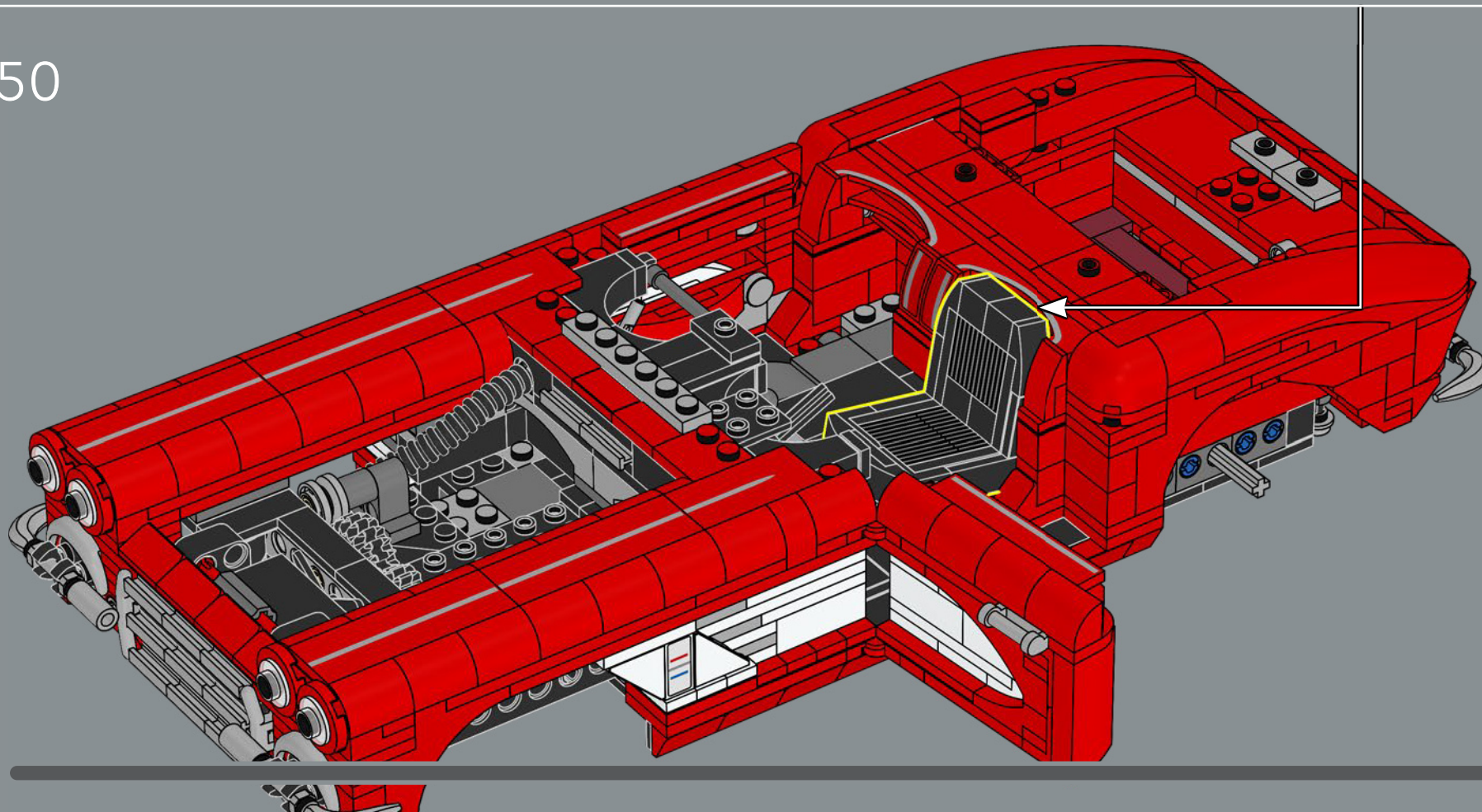
248

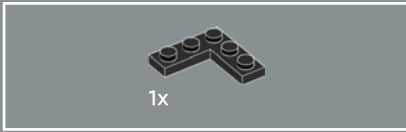
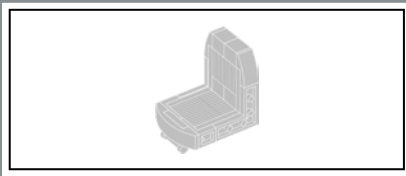


249

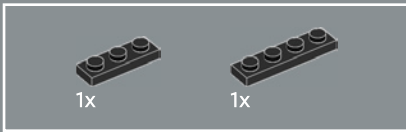
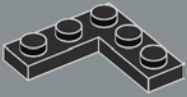


250

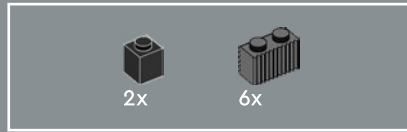
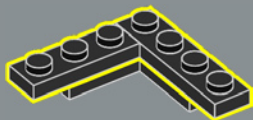




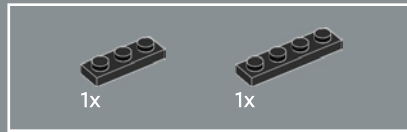
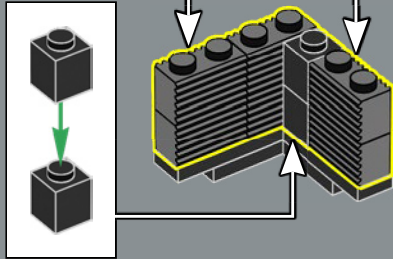
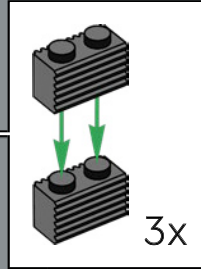
251



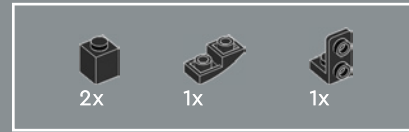
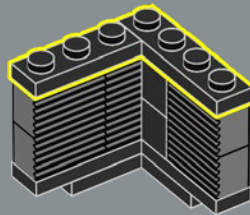
252



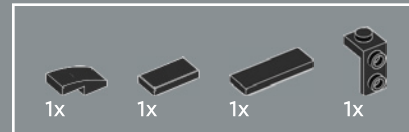
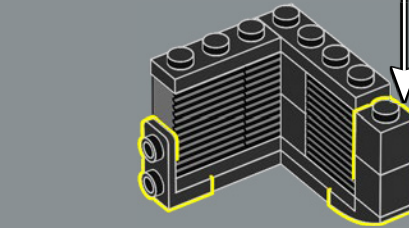
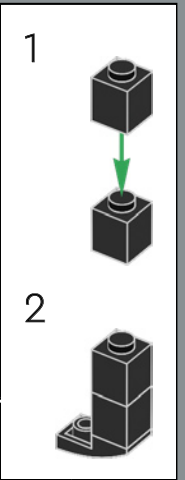
253



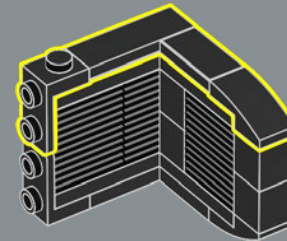
254

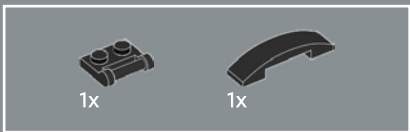


255

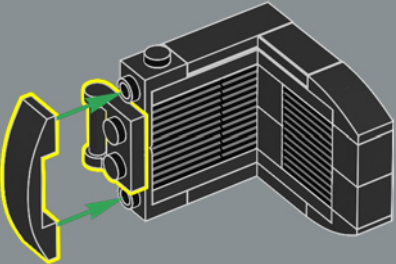


256

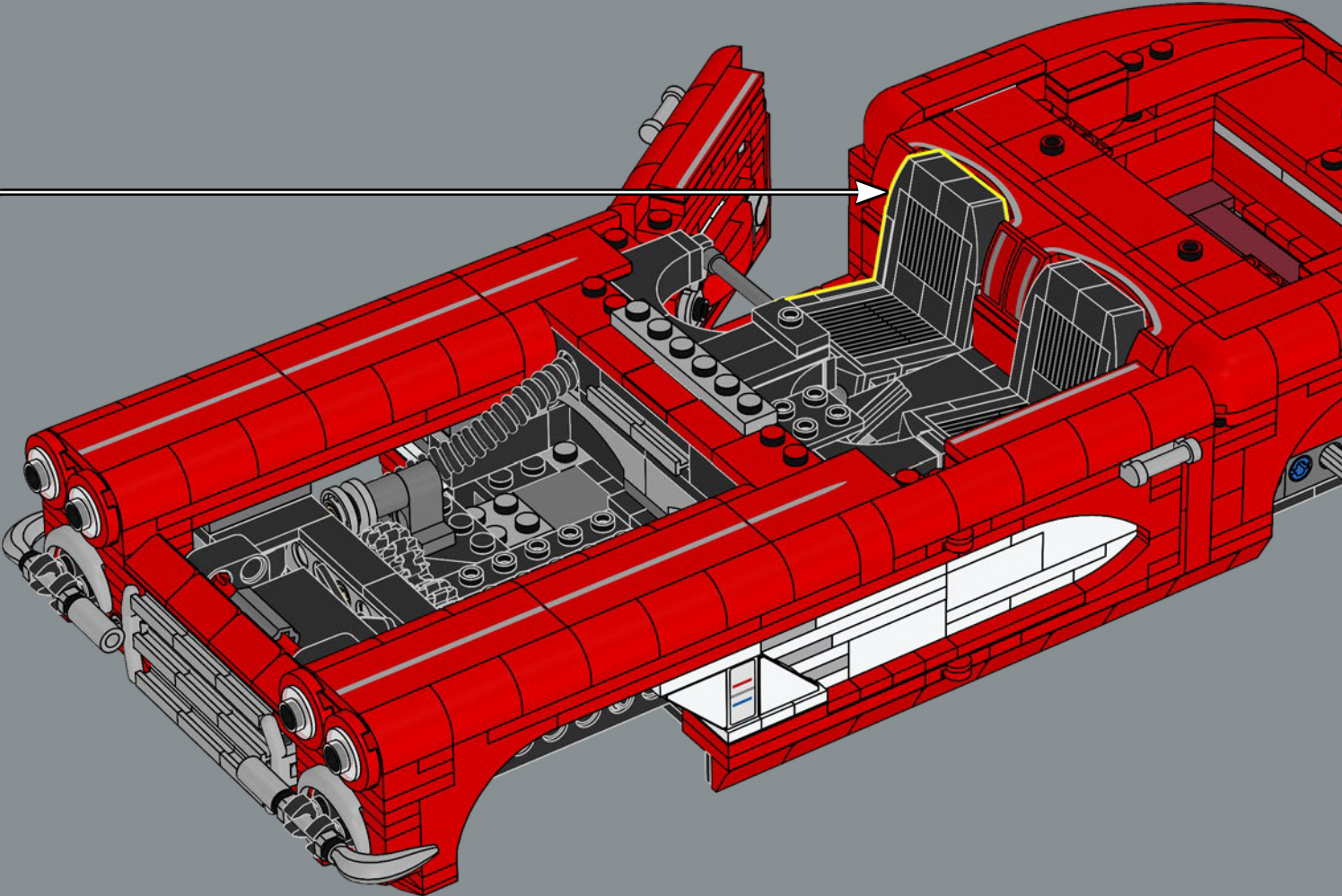


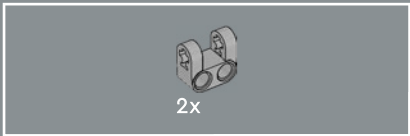


257

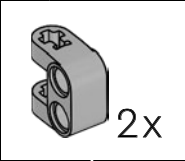
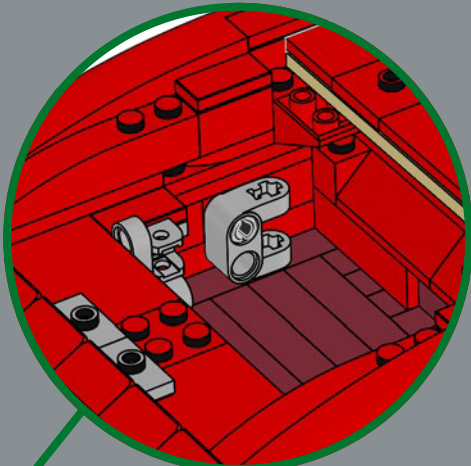
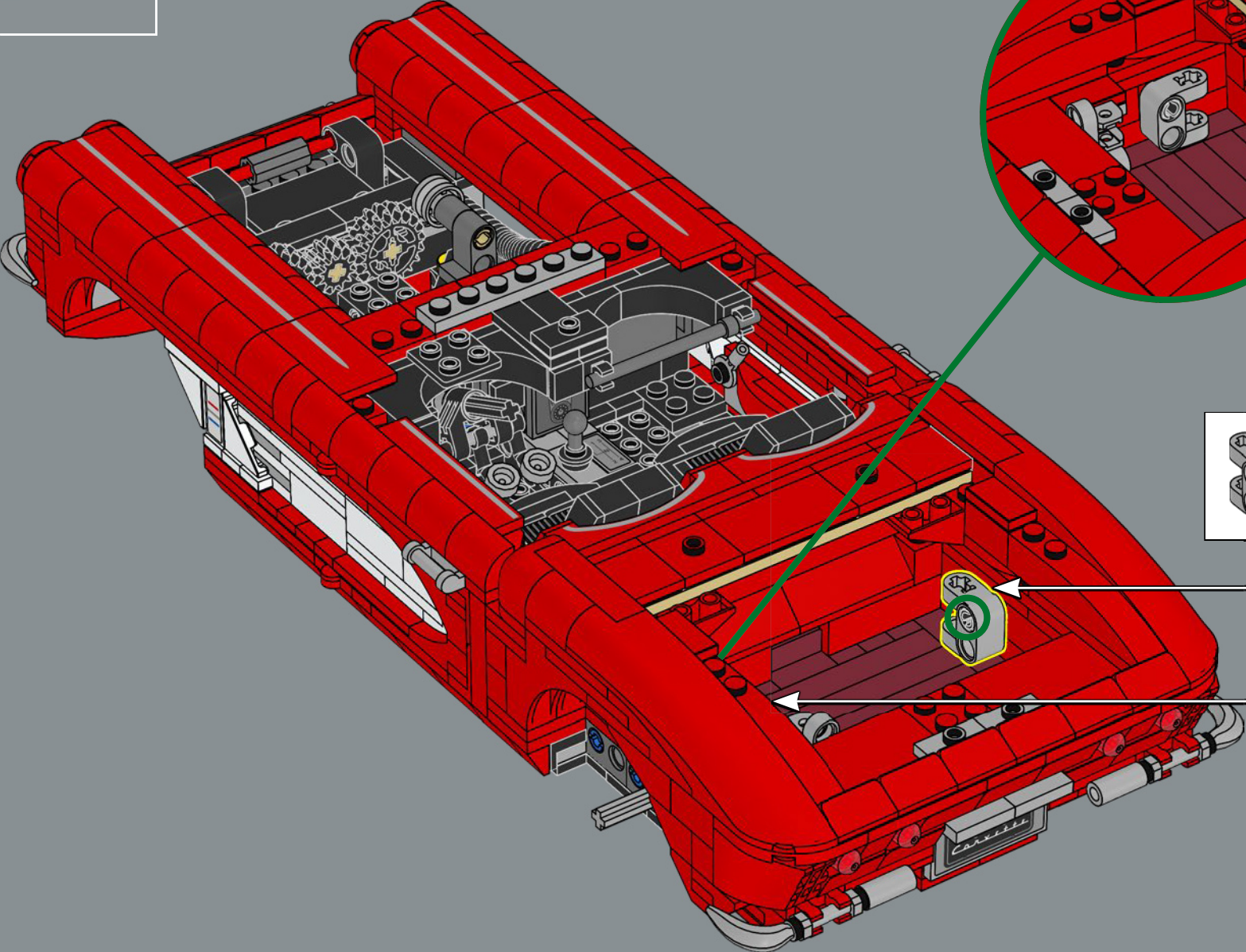


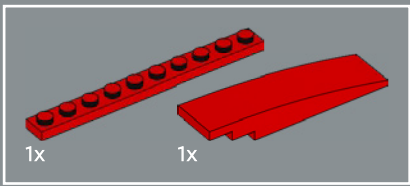
258



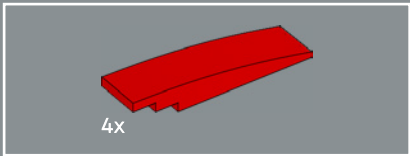
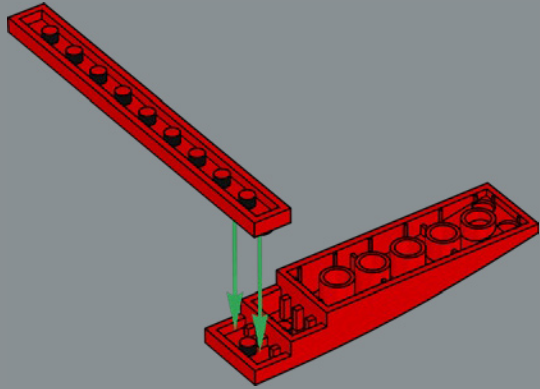


259

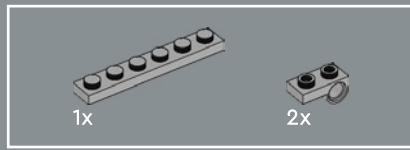
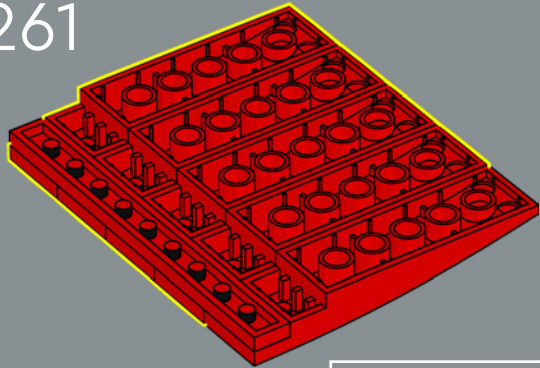




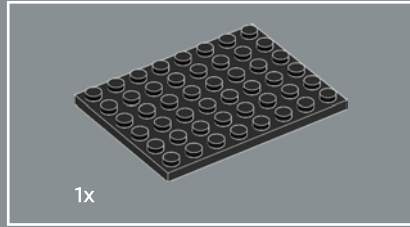
260



261



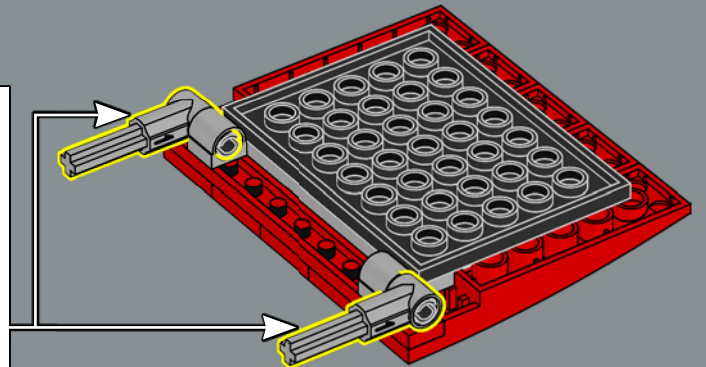
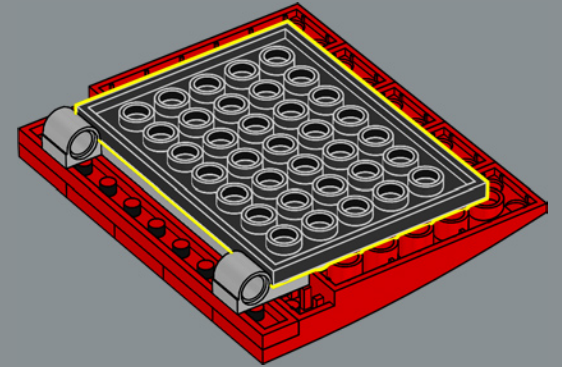
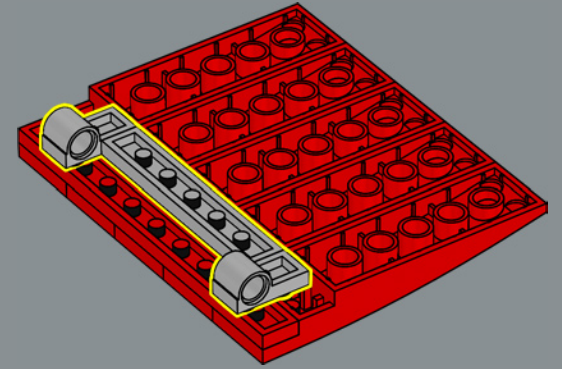
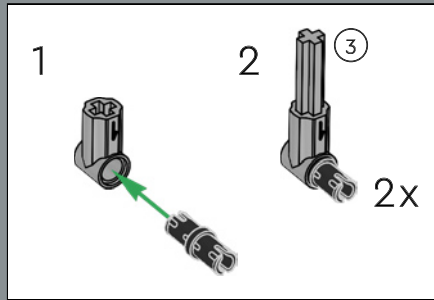
262



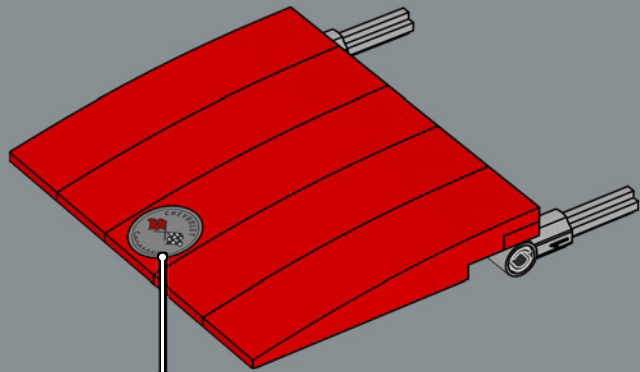
263



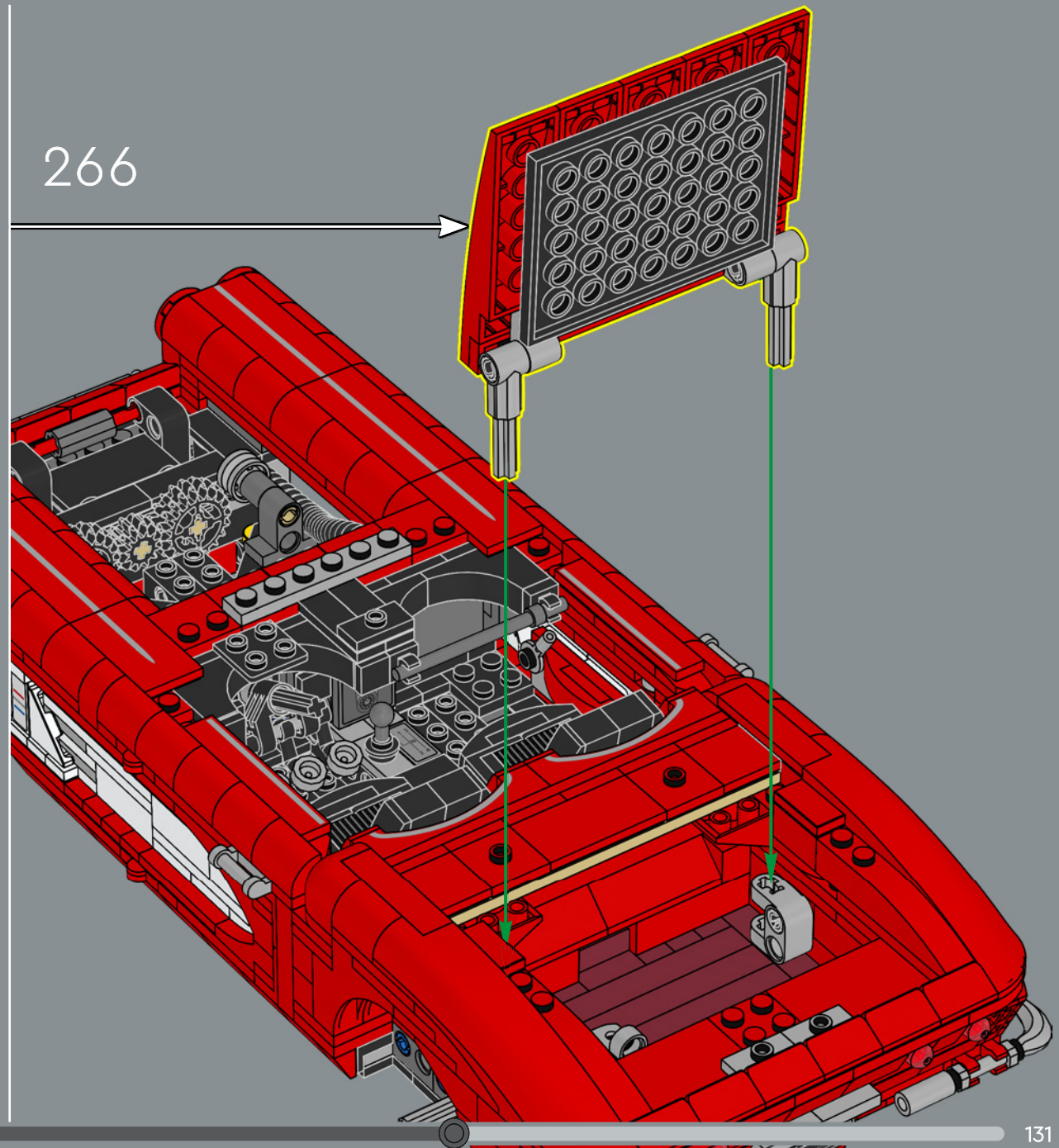
264

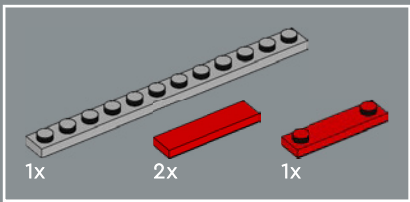


265



266

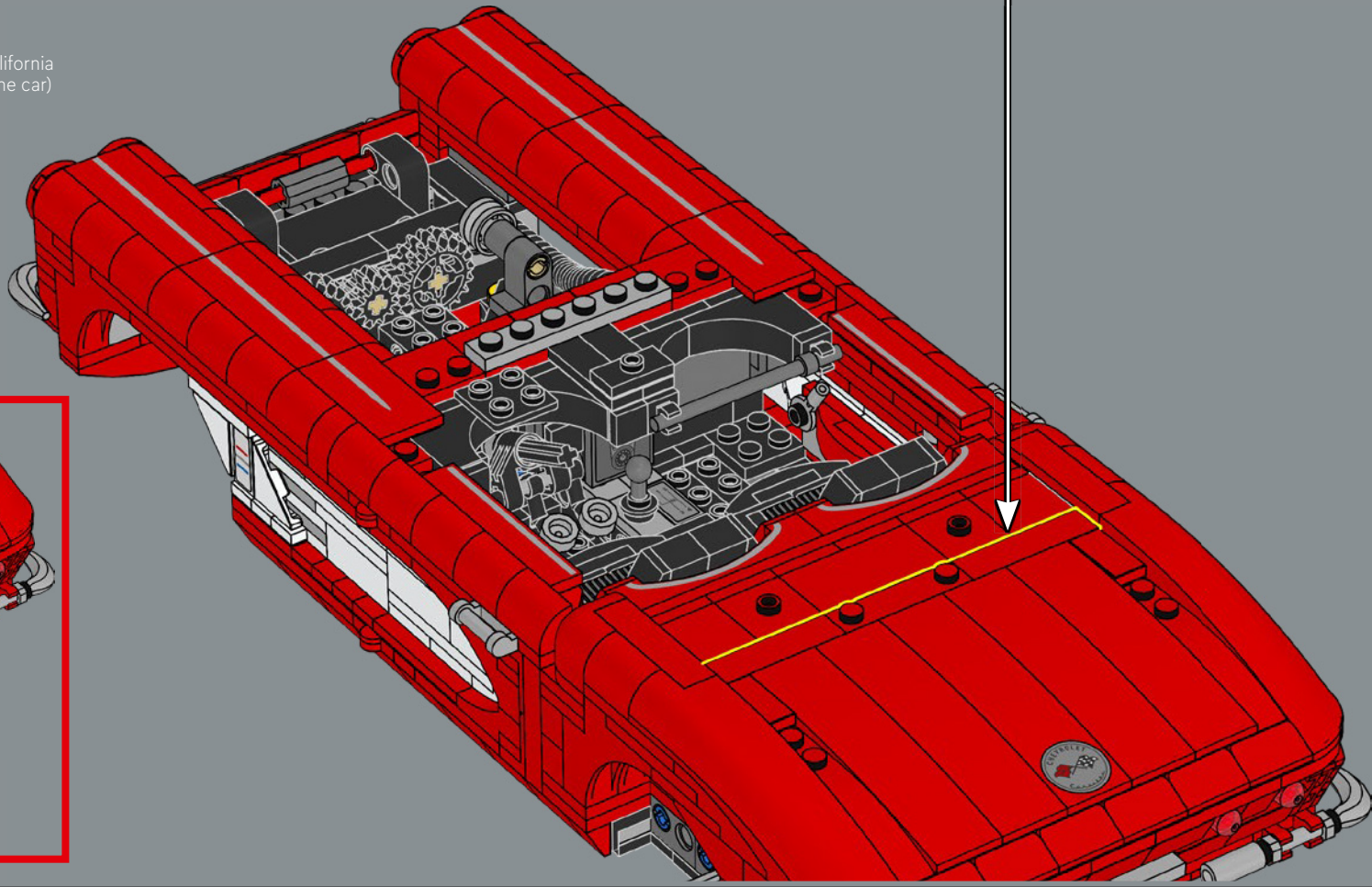
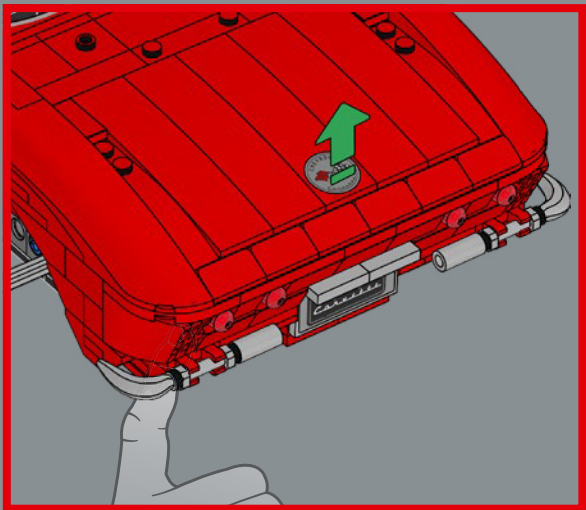
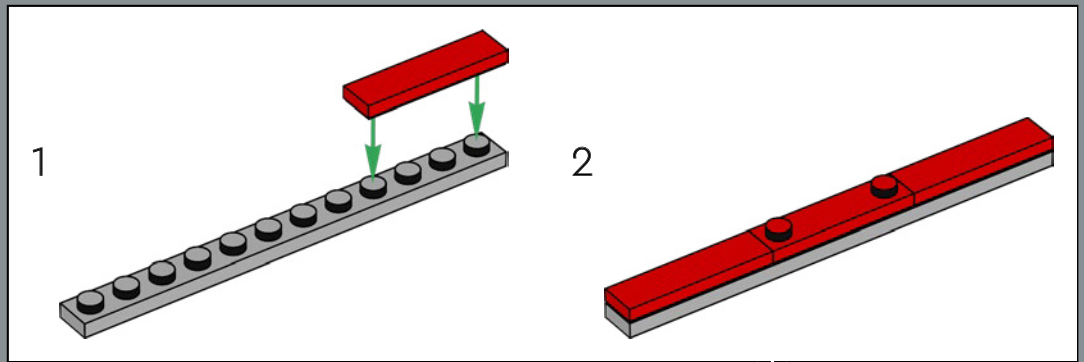


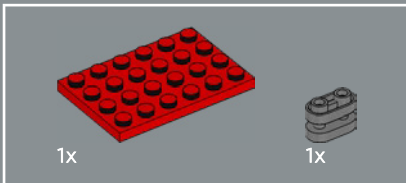
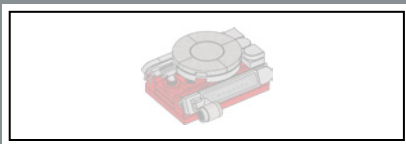


267

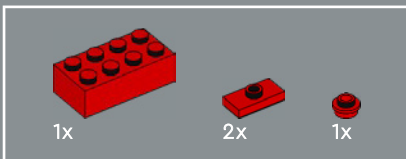
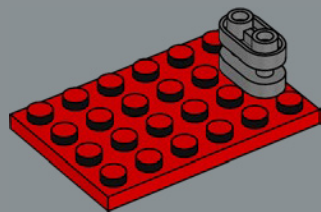


The boot is large and family-friendly, with room for alternative number plates: A showroom version, a California plate (C1 1961 – the model name and release year of the car) and a Michigan plate (home of General Motors – GM).

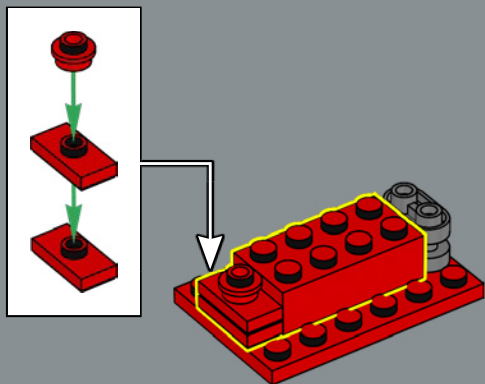




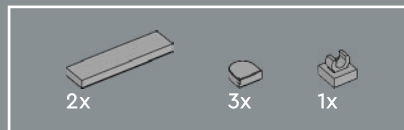
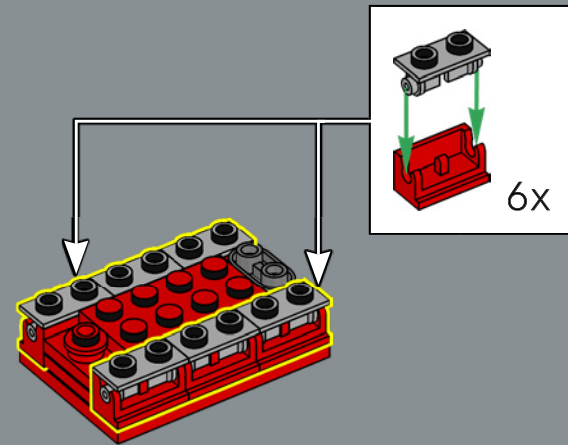
268



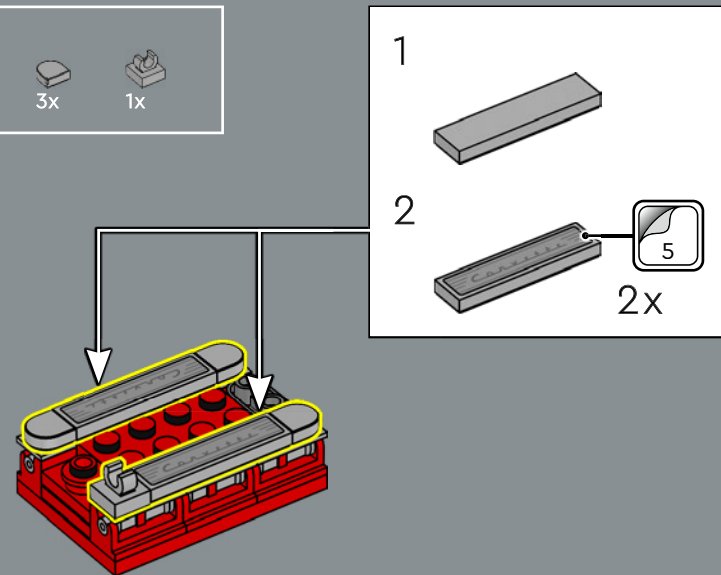
269

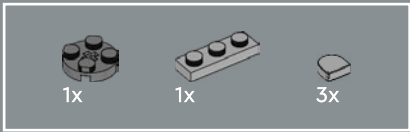


270

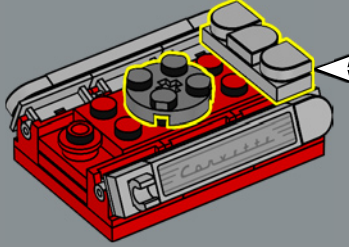
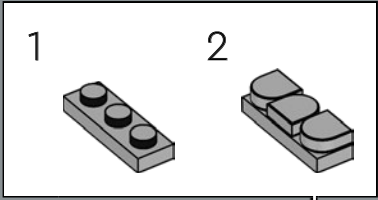


271

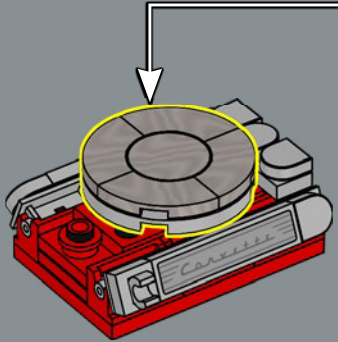
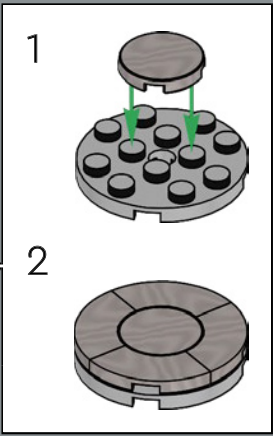




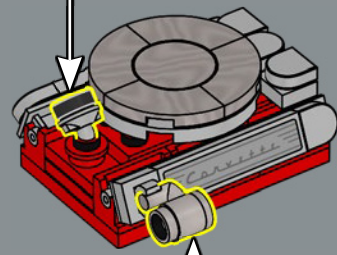
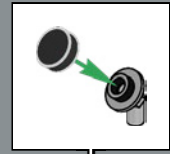
272



273



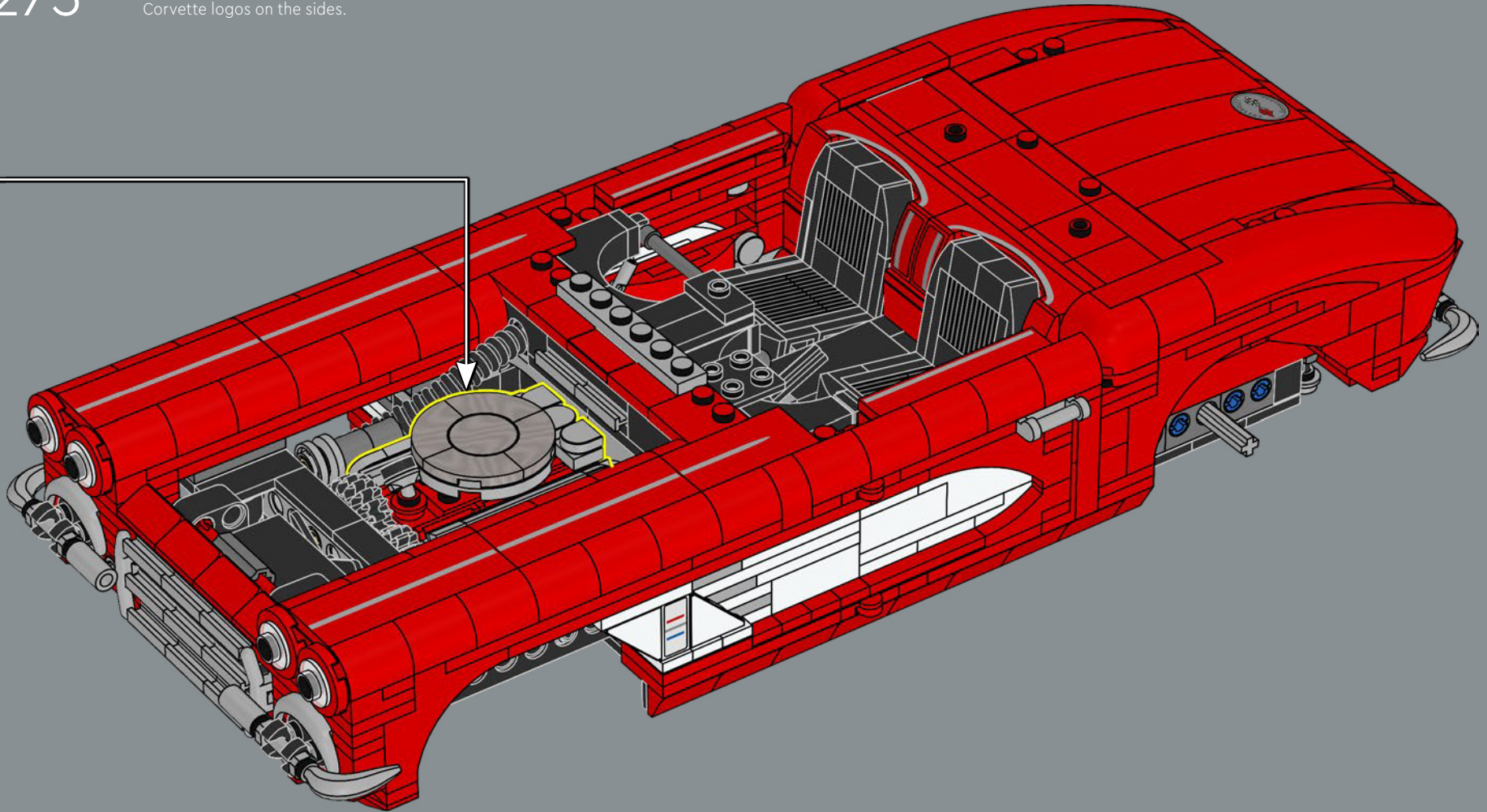
274

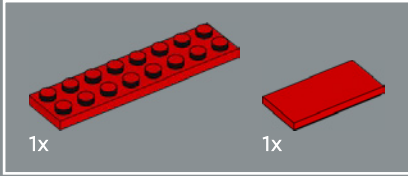
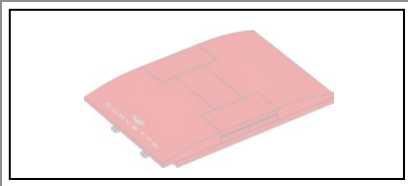




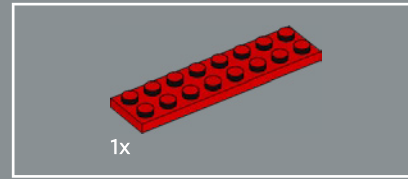
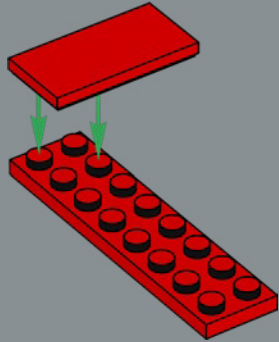
275

The engine bay has room for the air duct, a working radiator fan, an oil filter, an engine cover for the V8 General Motors engine and Corvette logos on the sides.

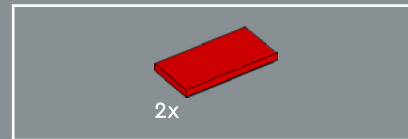
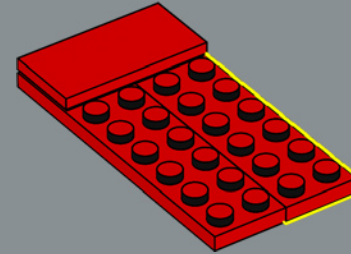




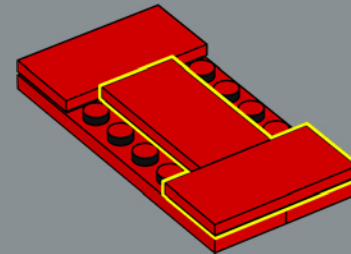
276

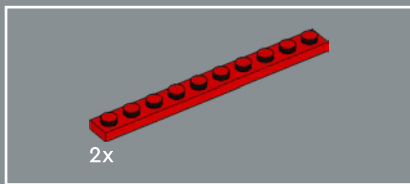


277

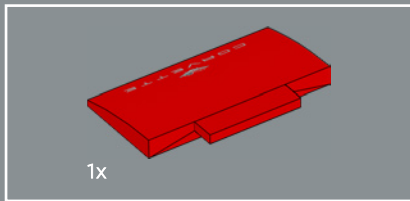
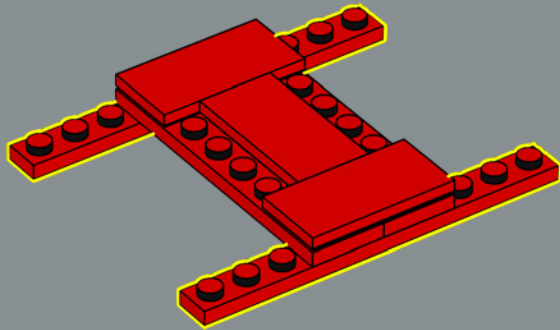


278

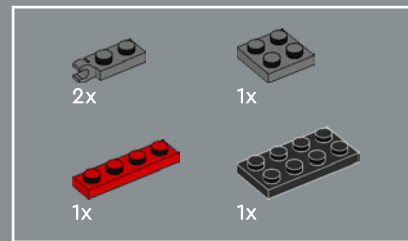
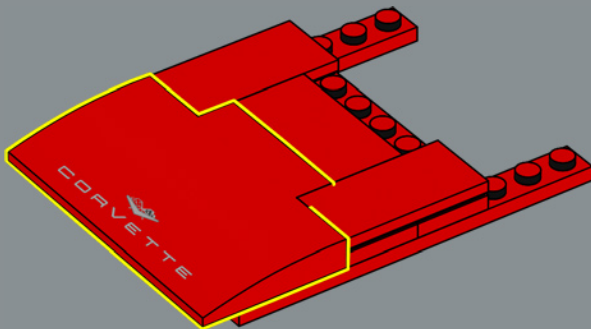




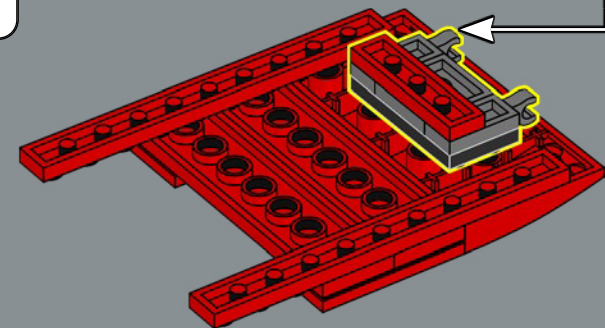
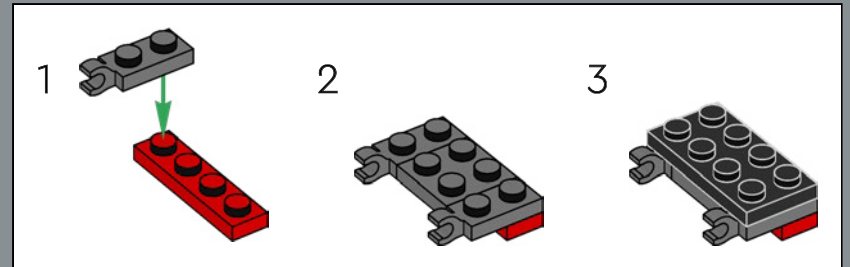
279

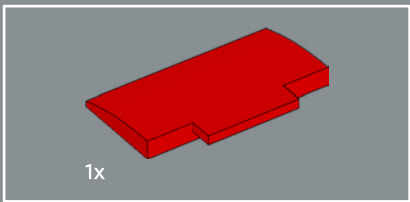


280

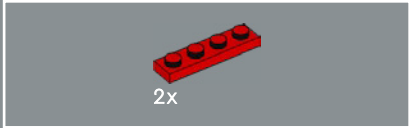
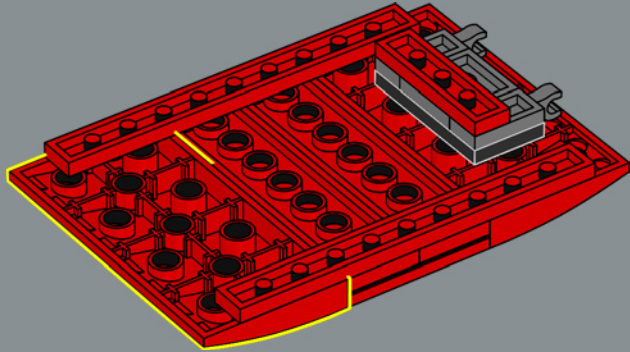


281

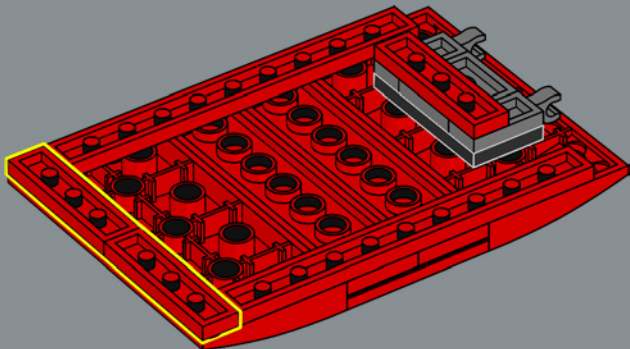




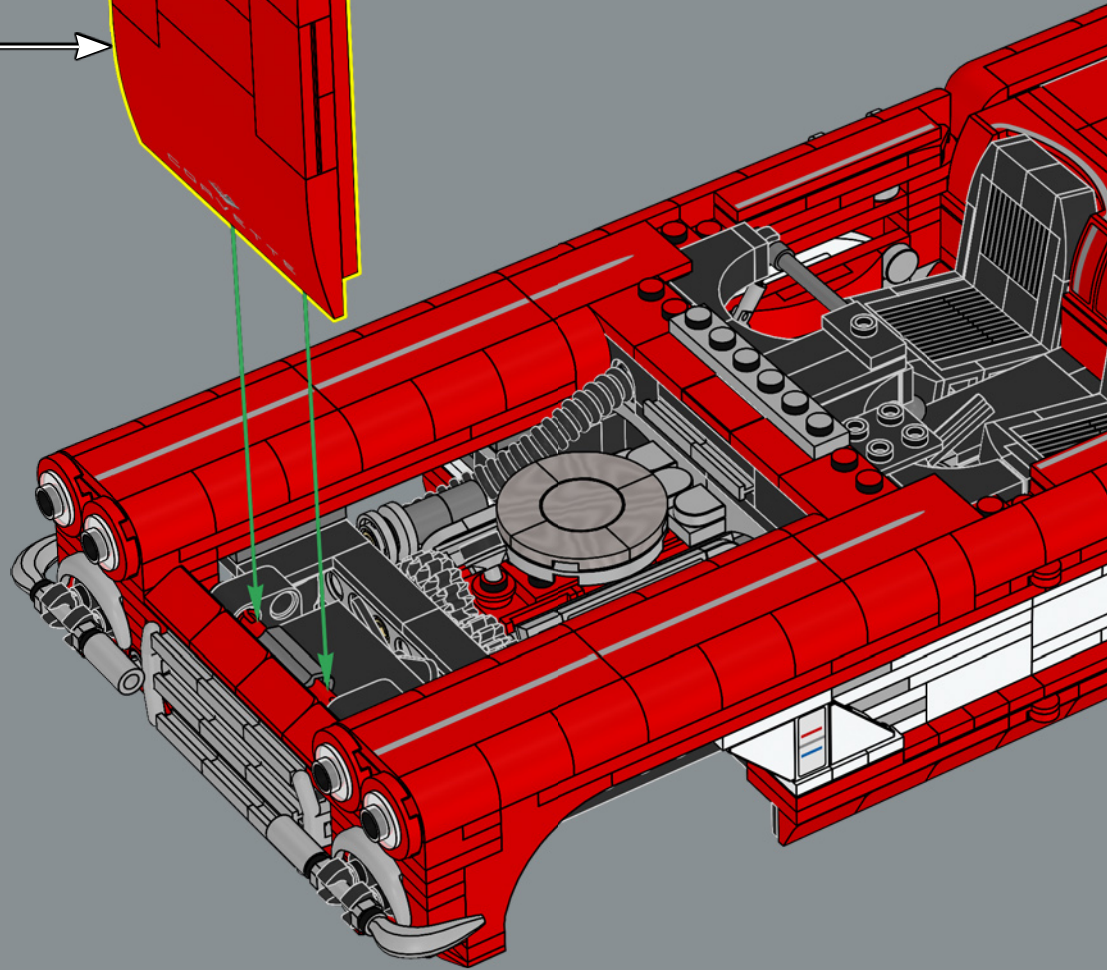
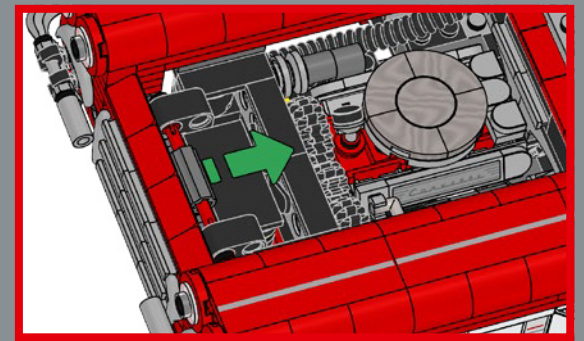
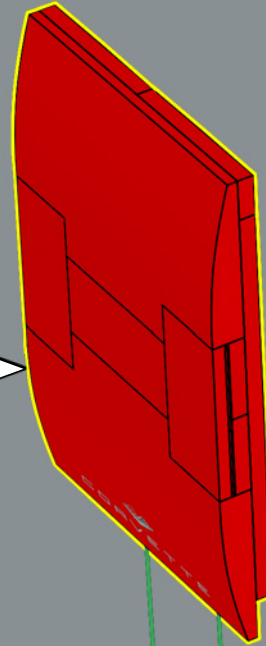
282

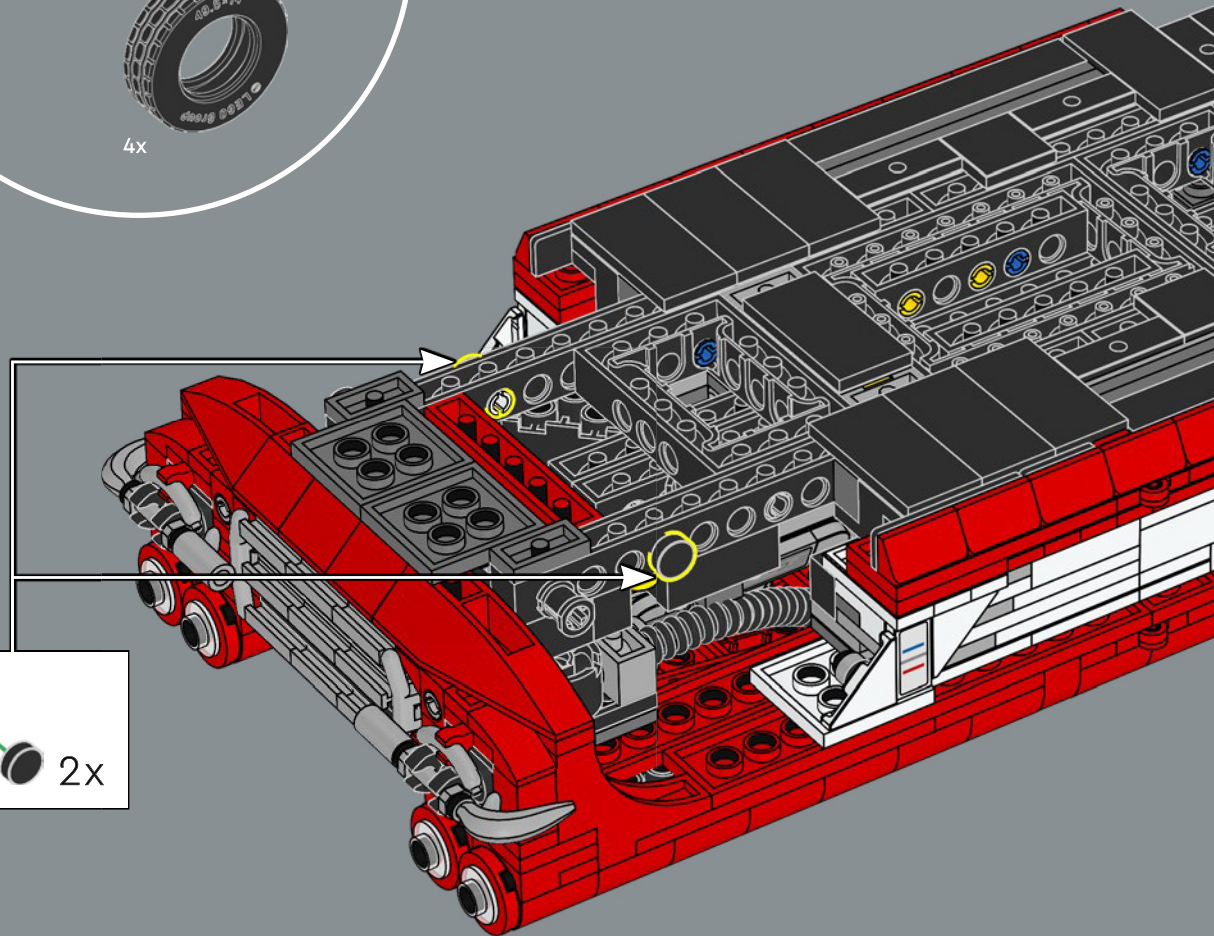
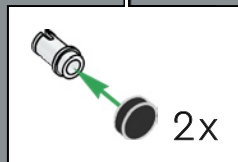
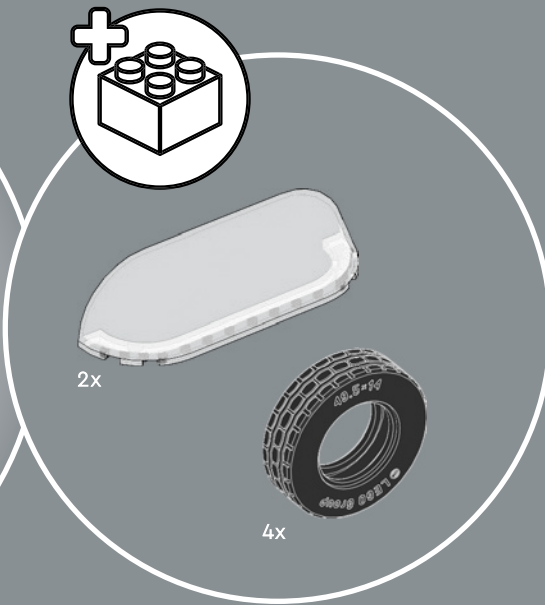


283



284





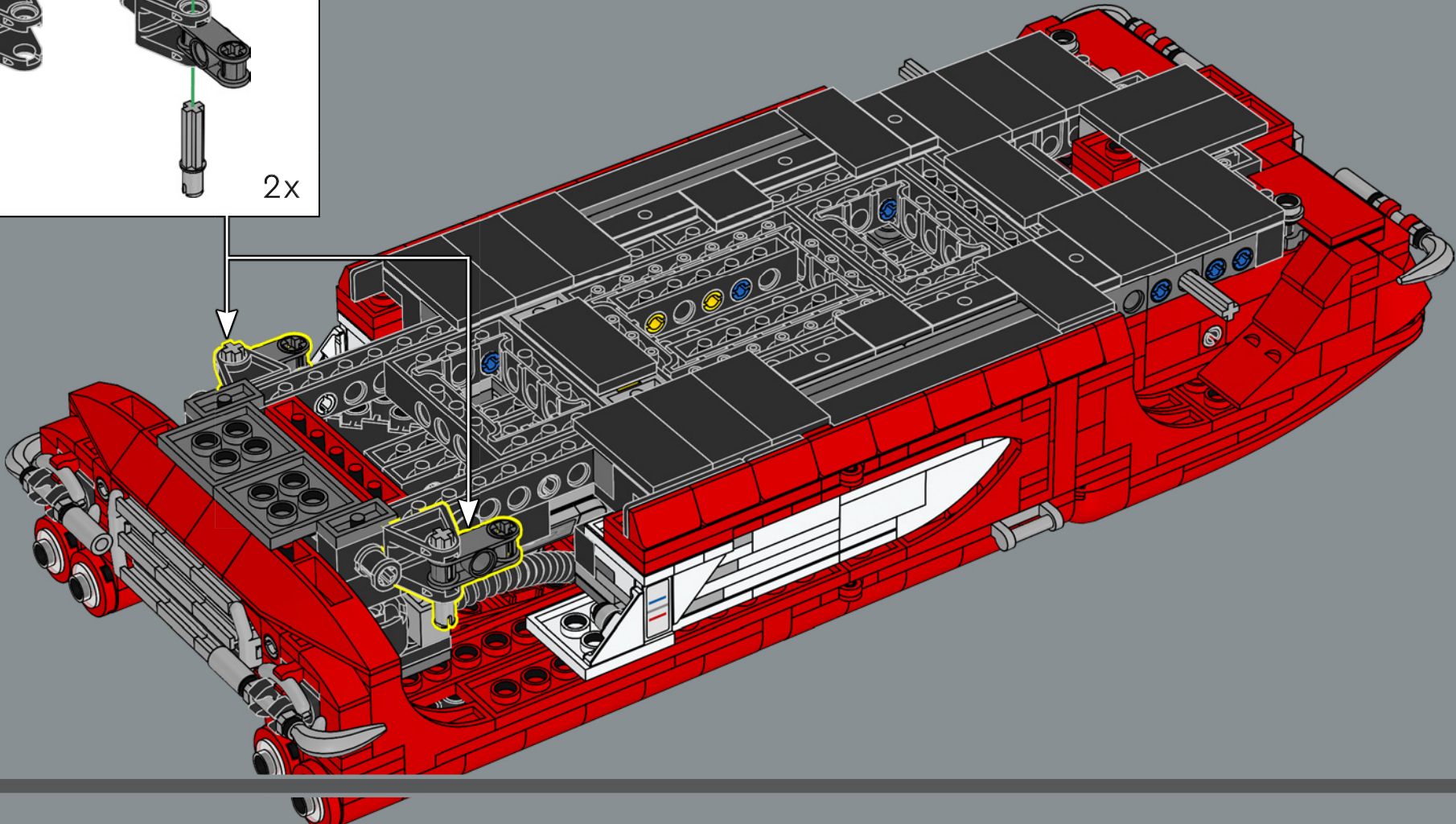
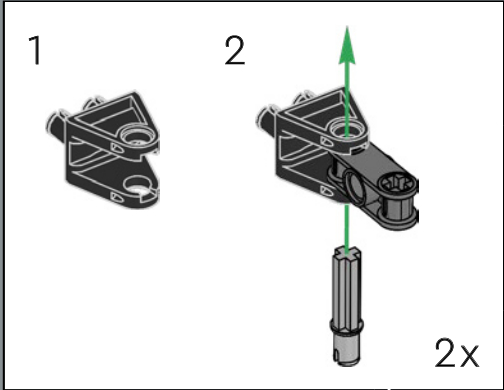
285

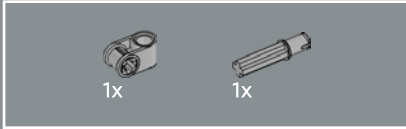
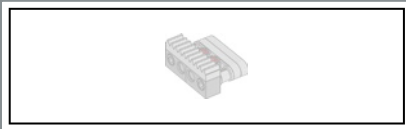


Like the original, the bonnet opens from the back, so it doesn't fly open at high speeds.

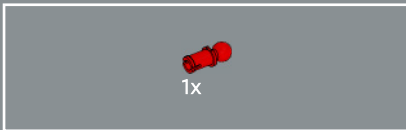
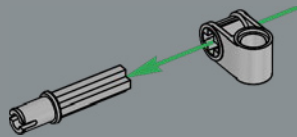


286

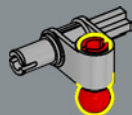




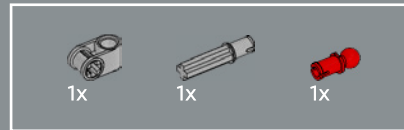
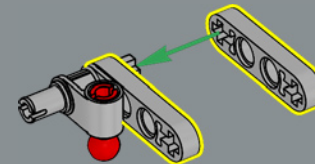
287



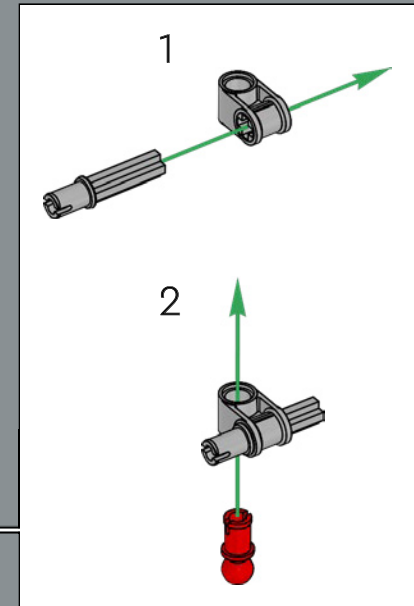
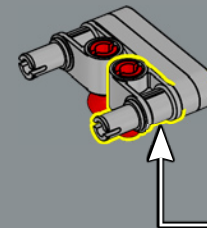
288



289



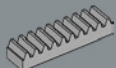
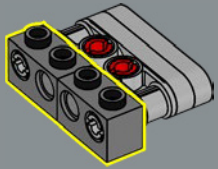
290





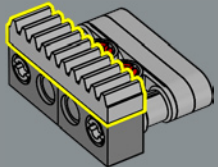
2x

291

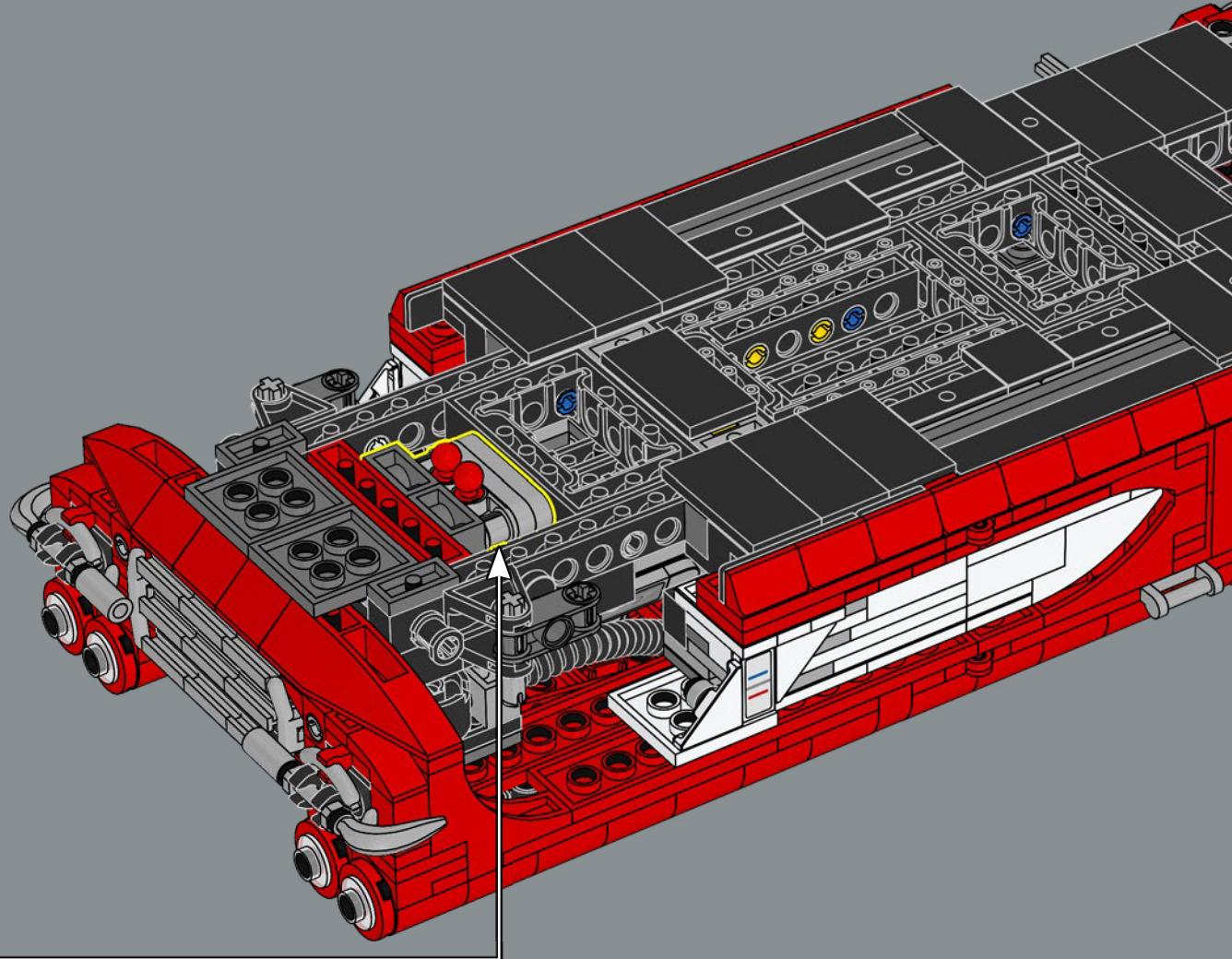


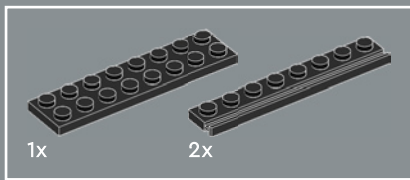
1x

292

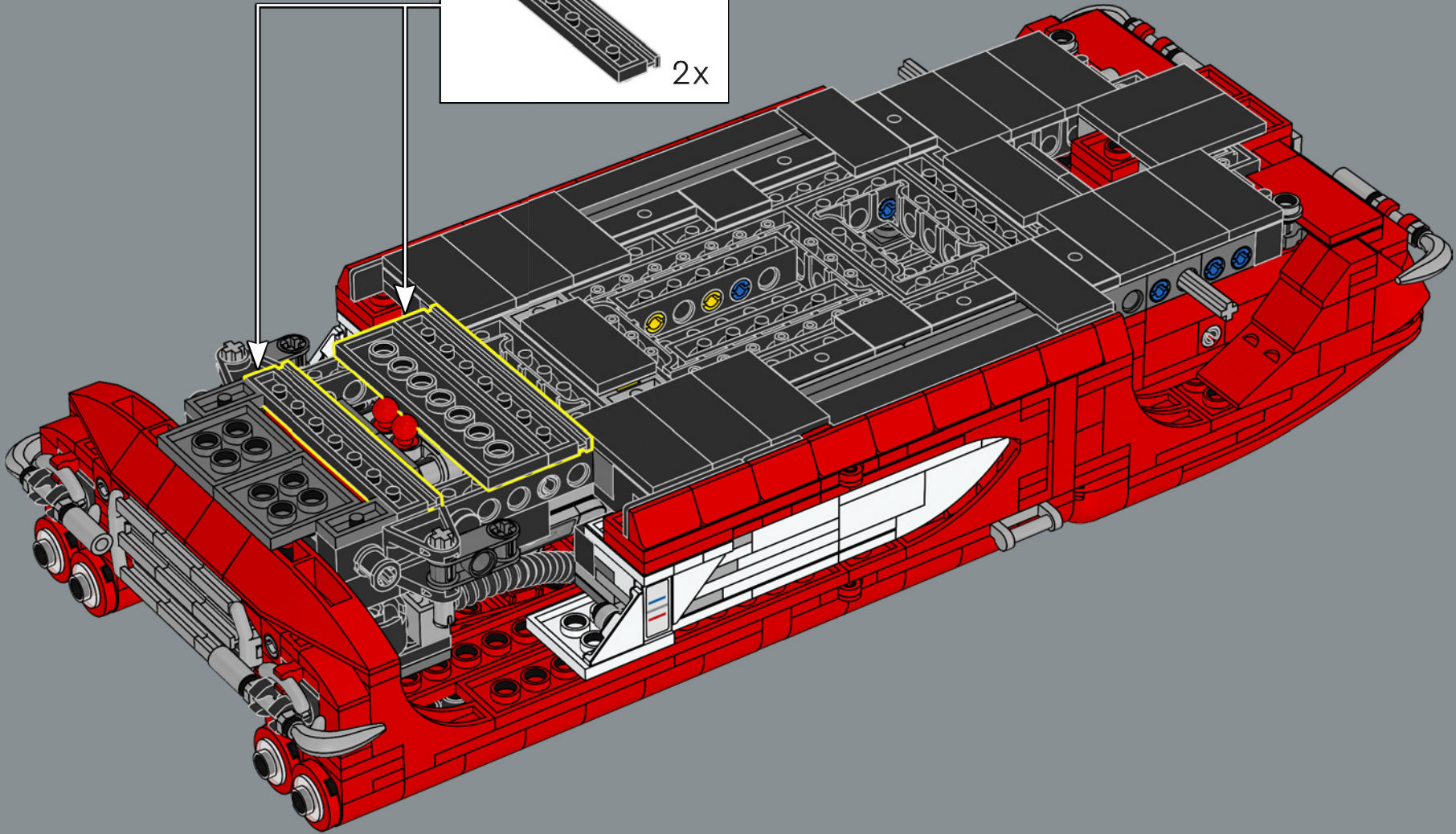
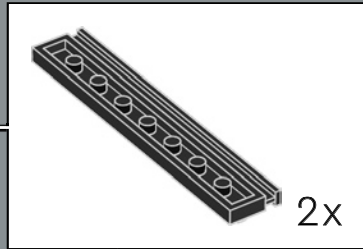


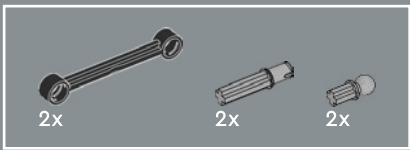
293



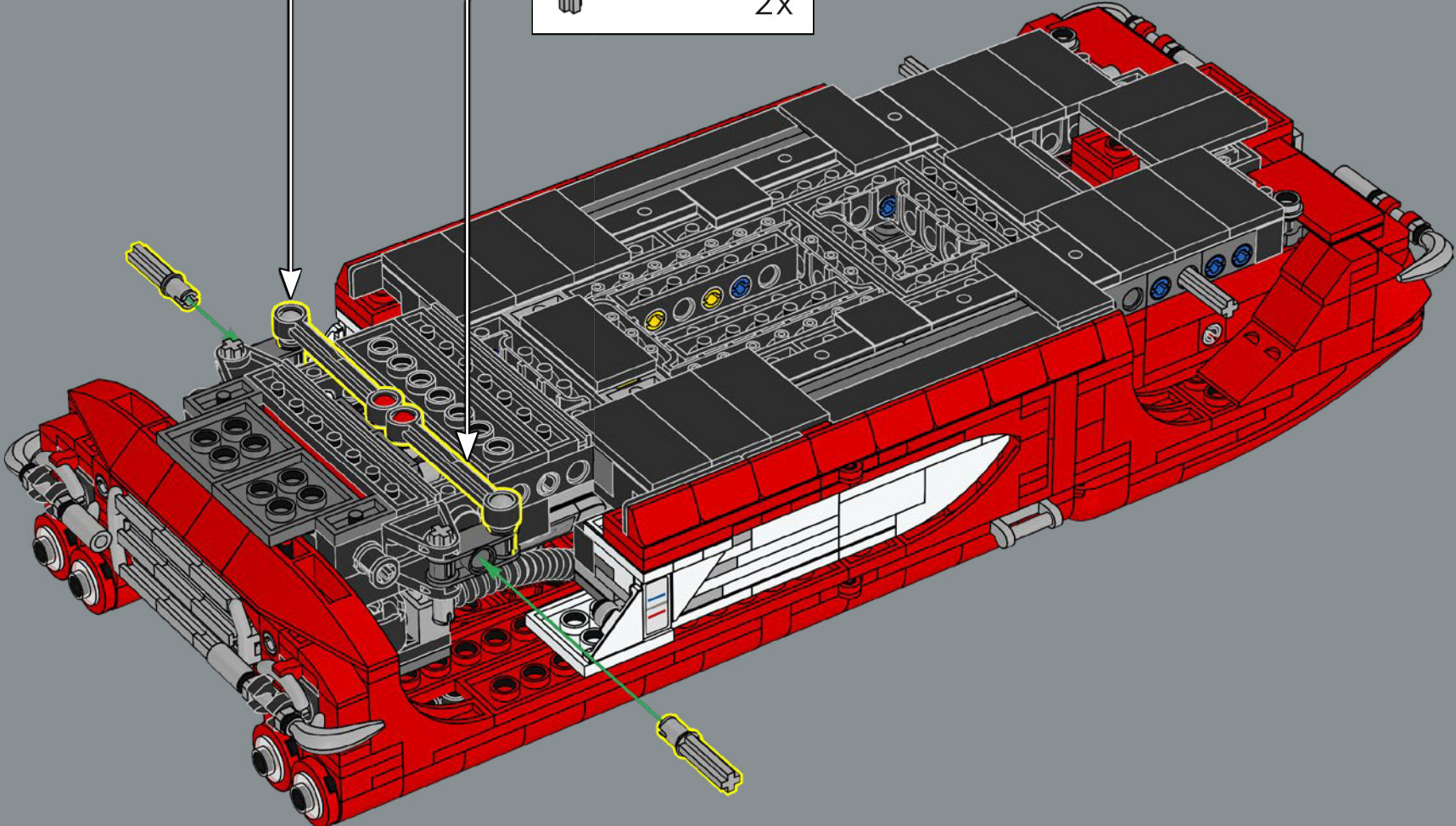
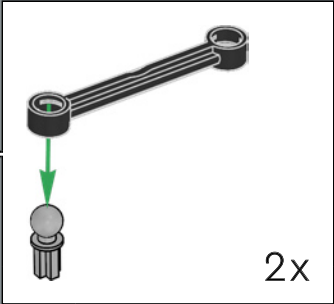


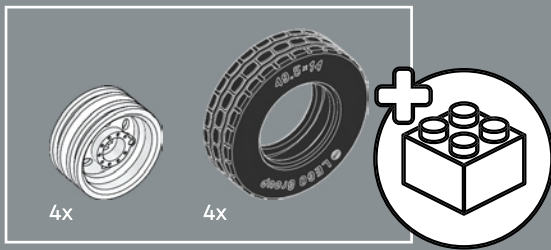
294



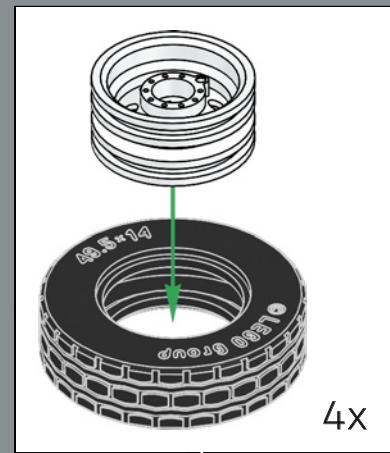
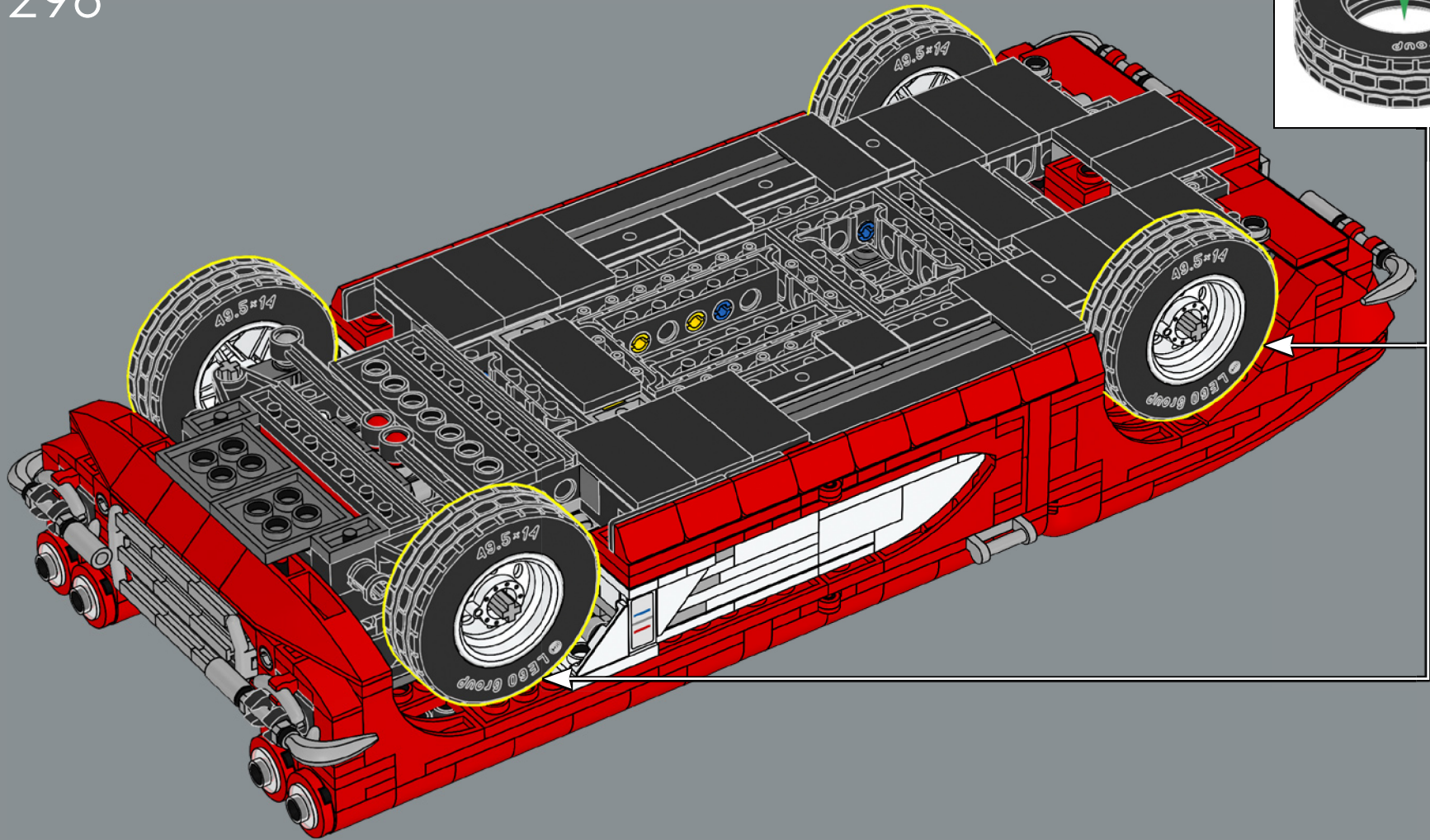


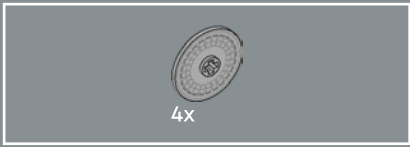
295



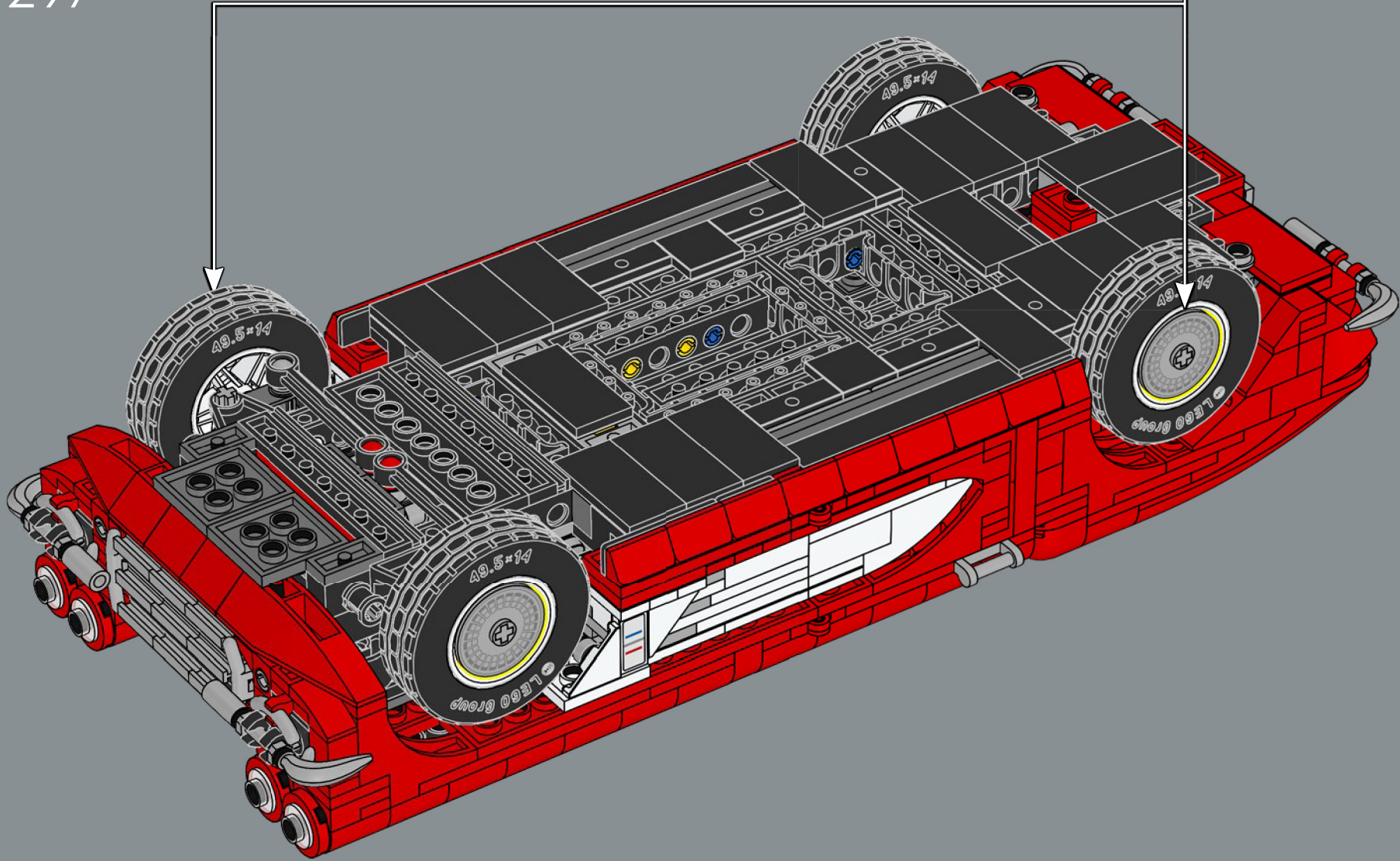
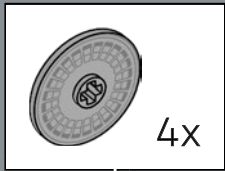


296



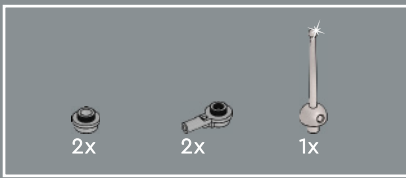


297

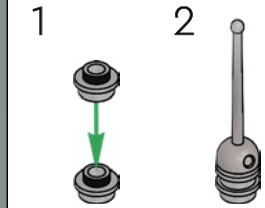
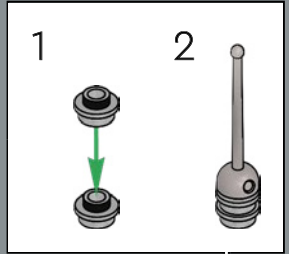
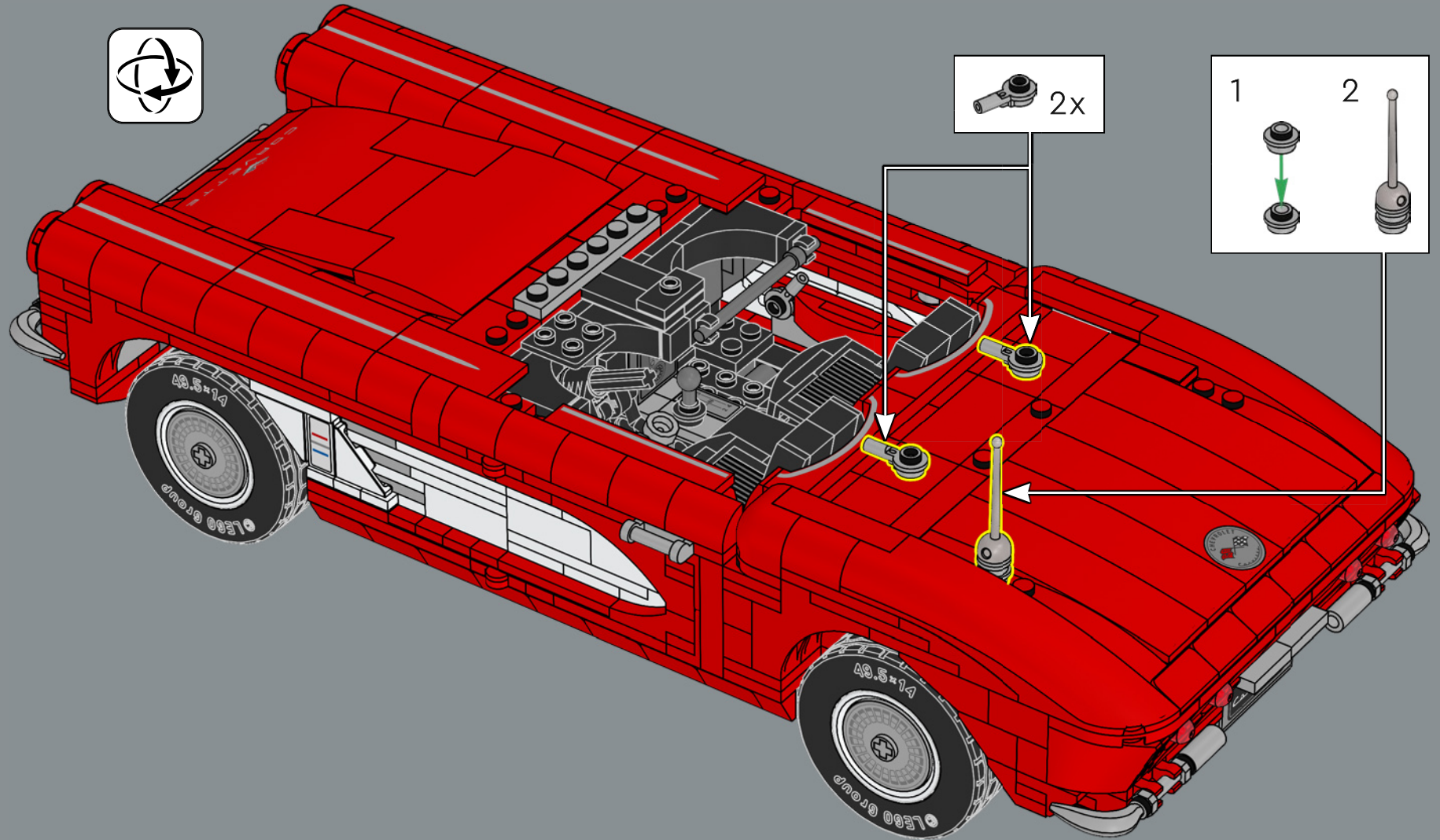




The antenna is actually a repurposed LEGO® sword element.

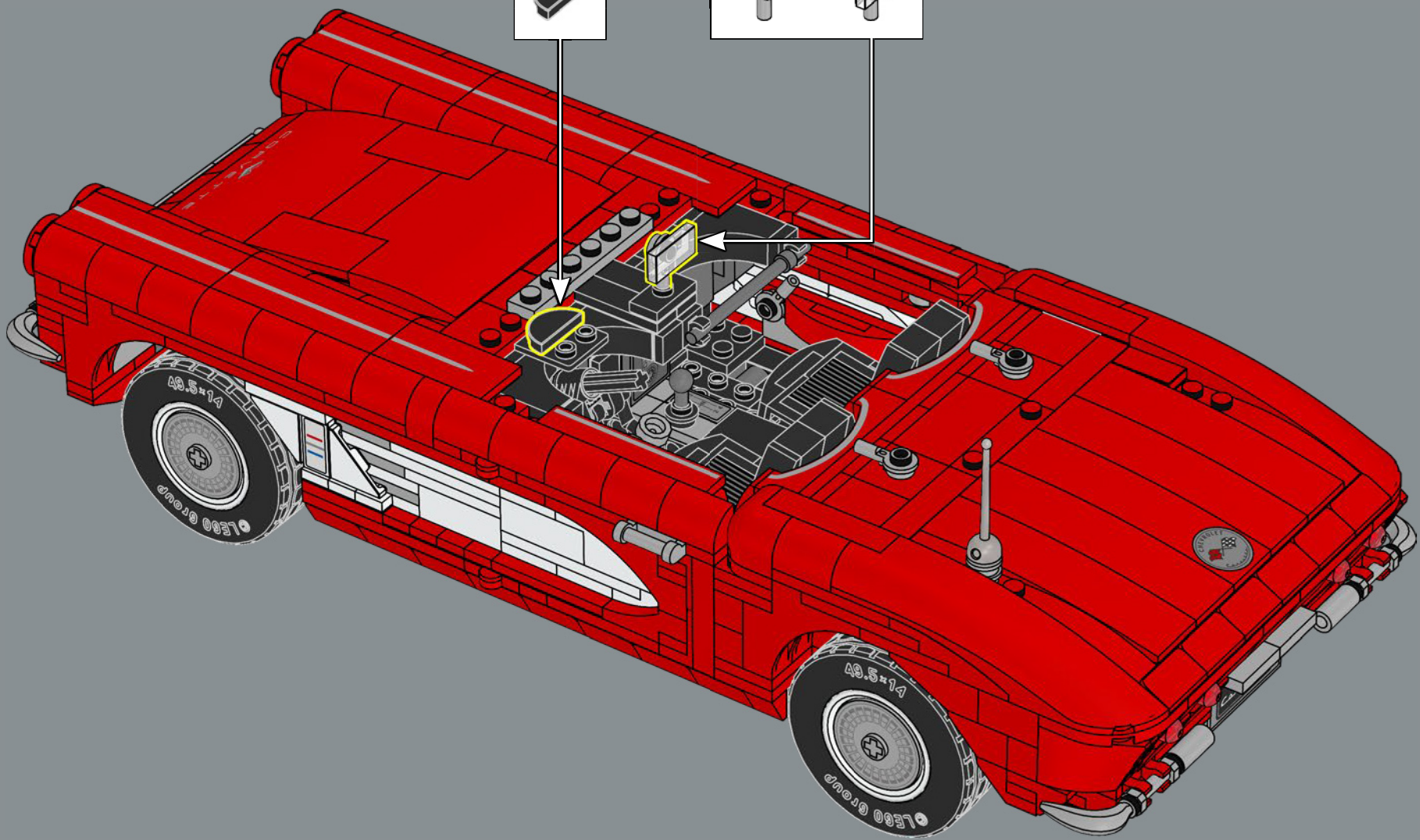
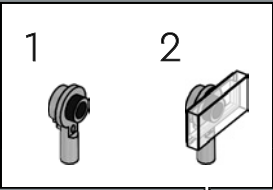


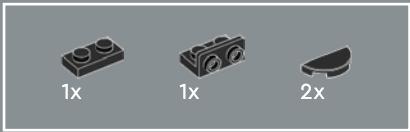
298



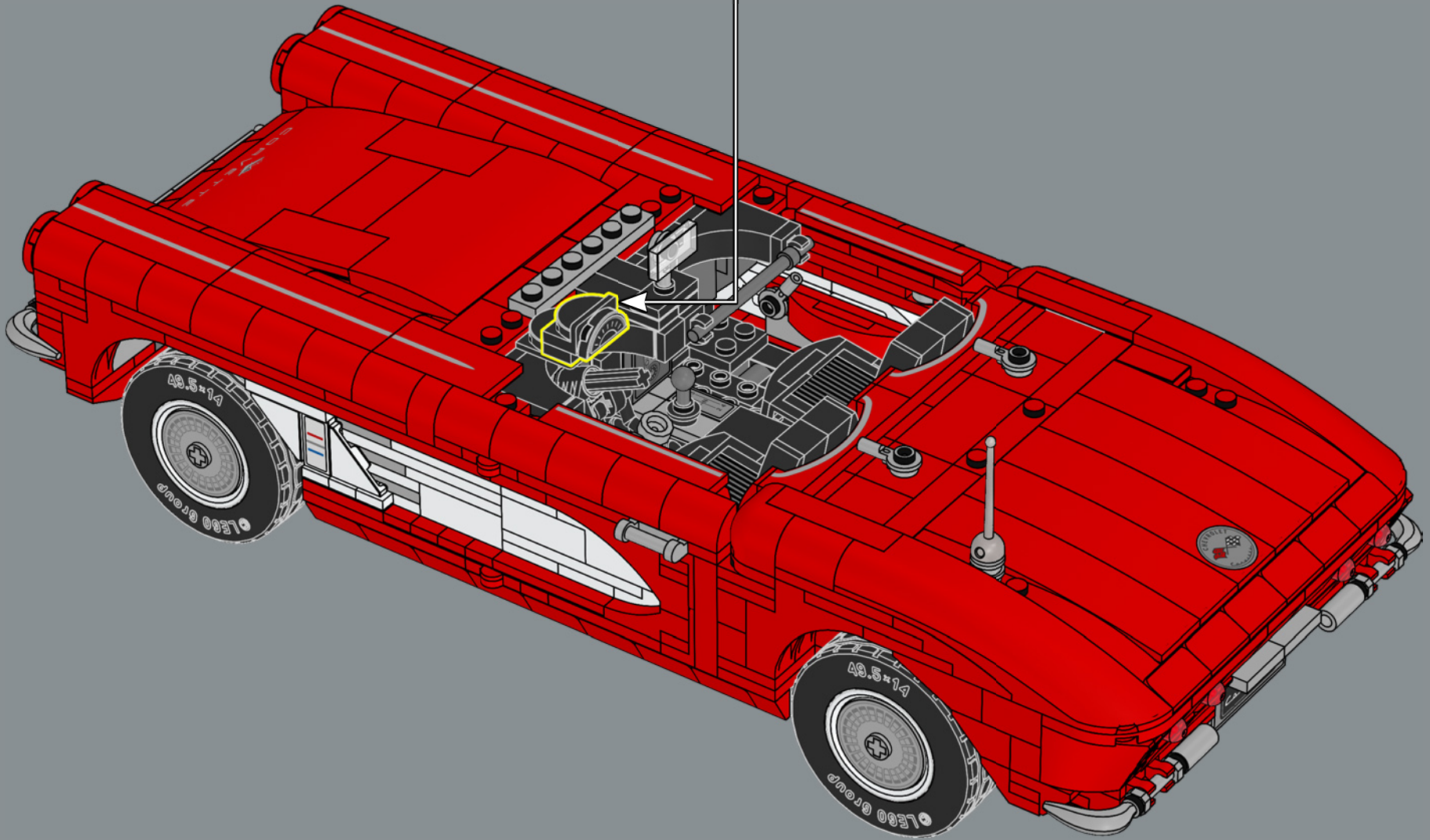
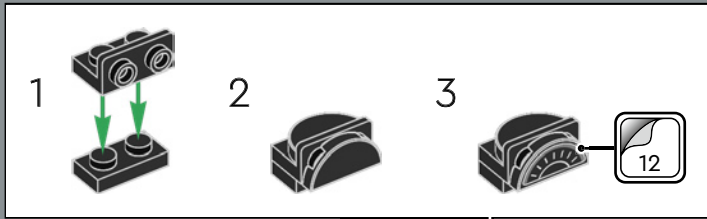


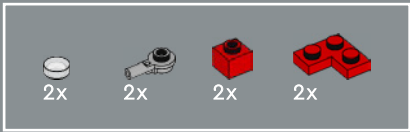
299



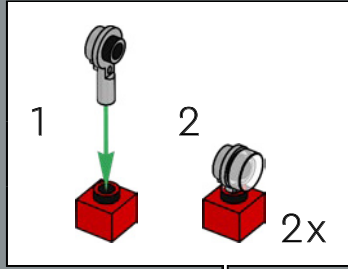
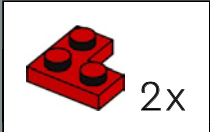
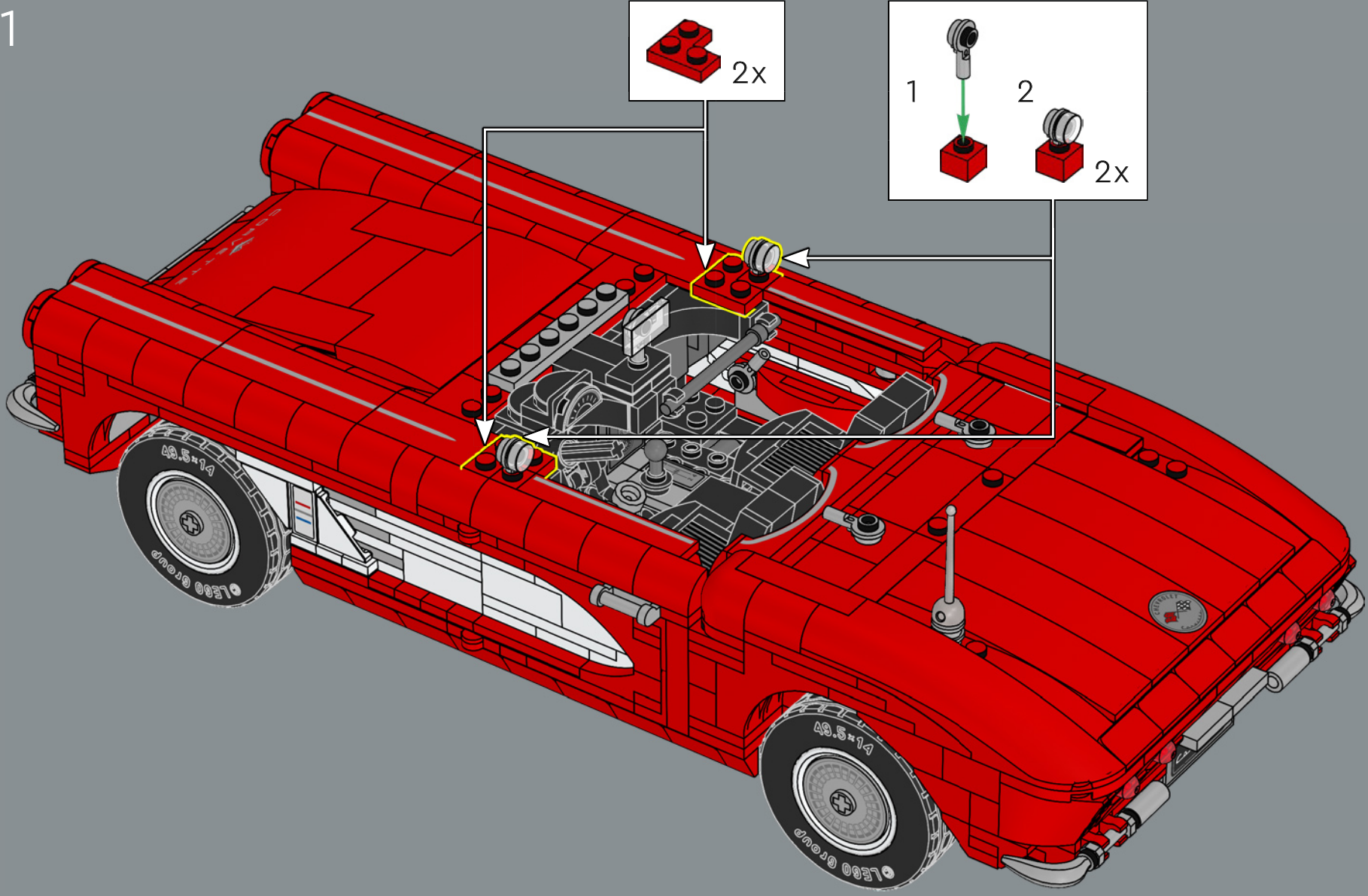


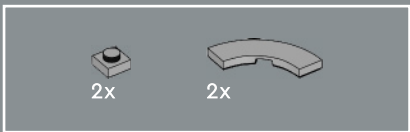
300



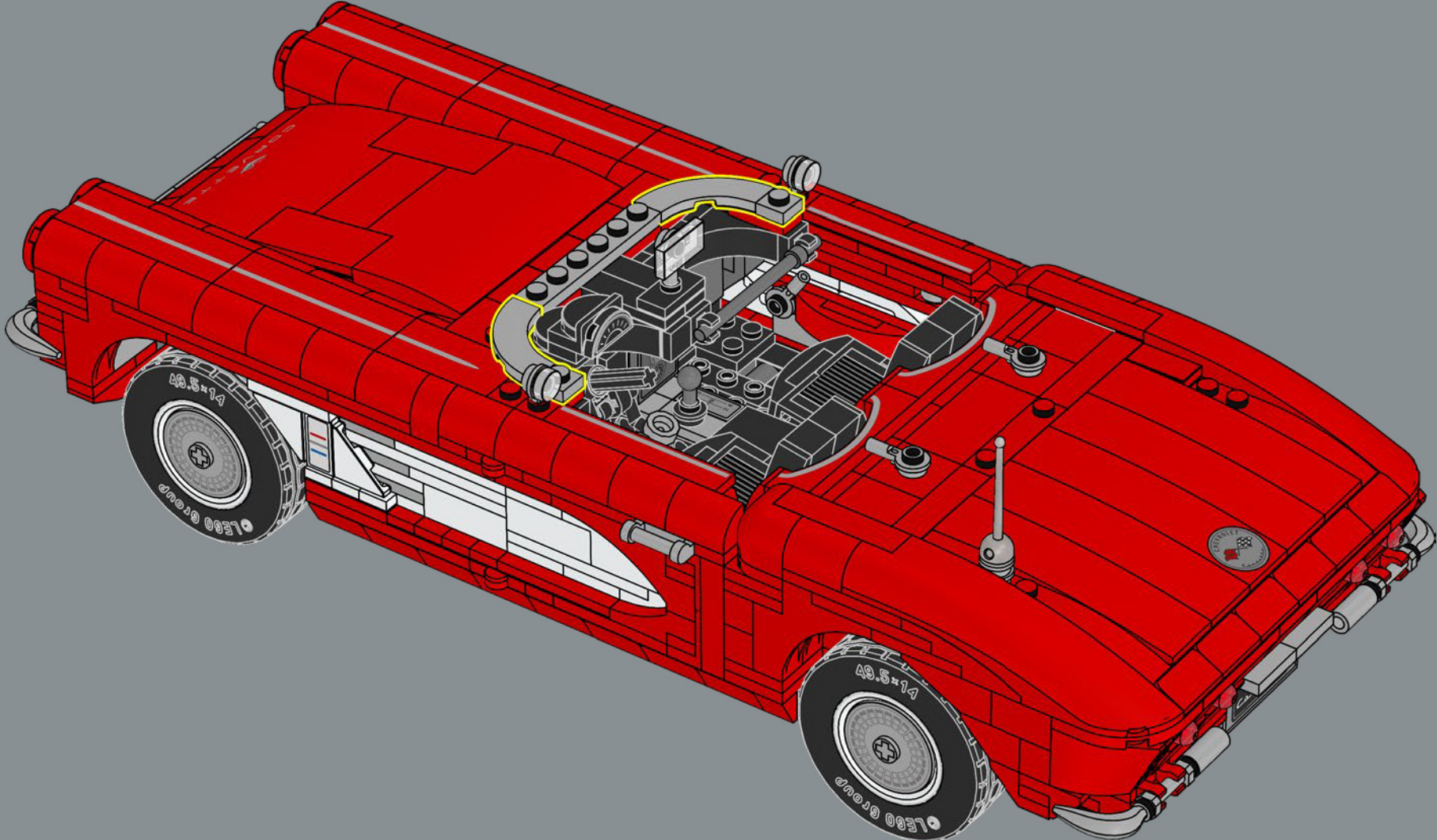


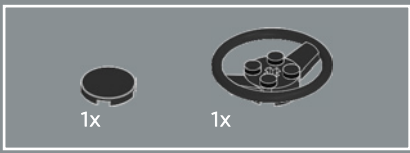
301



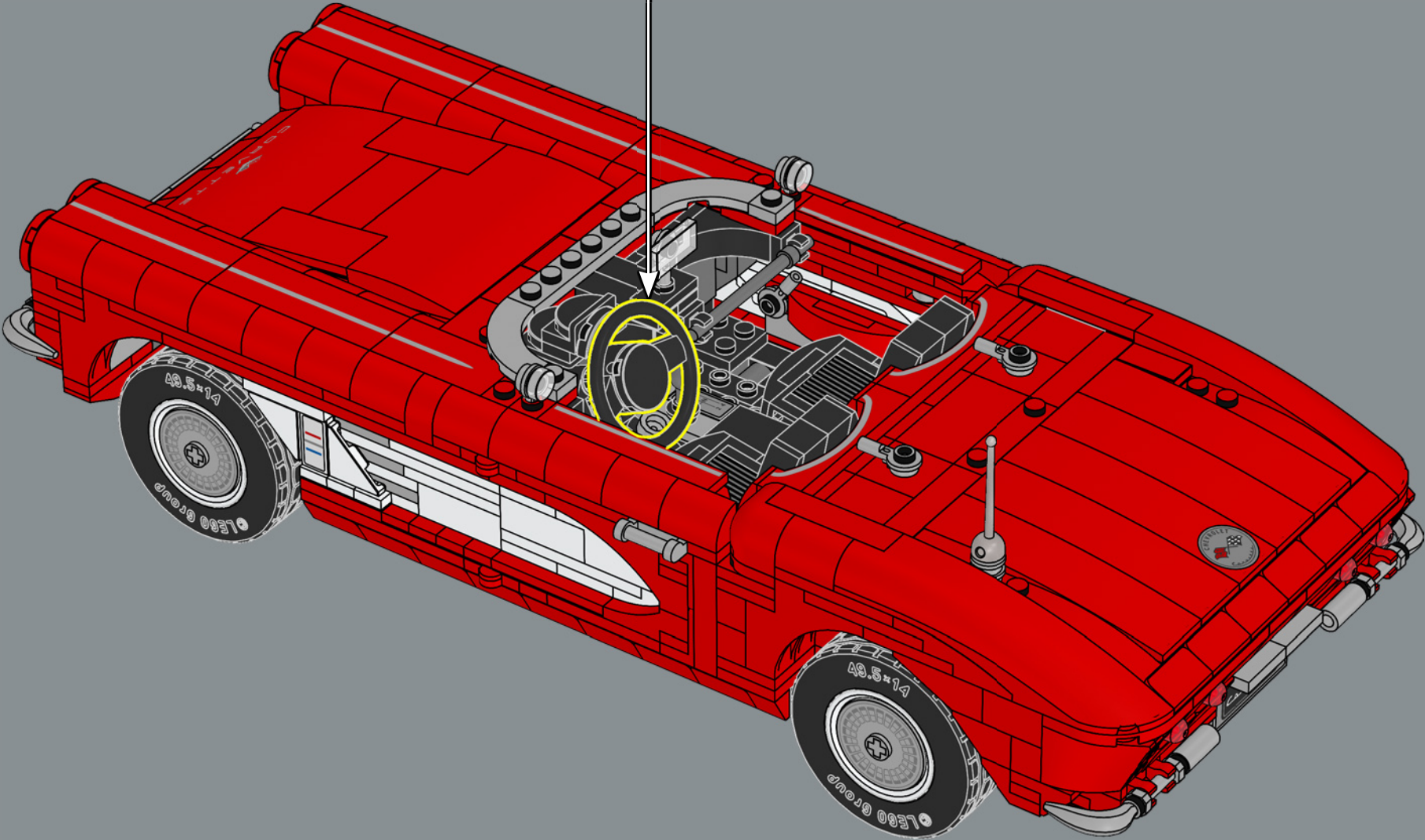
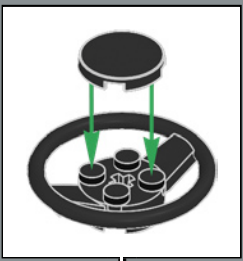


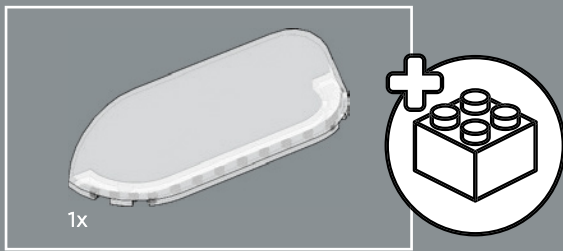
302





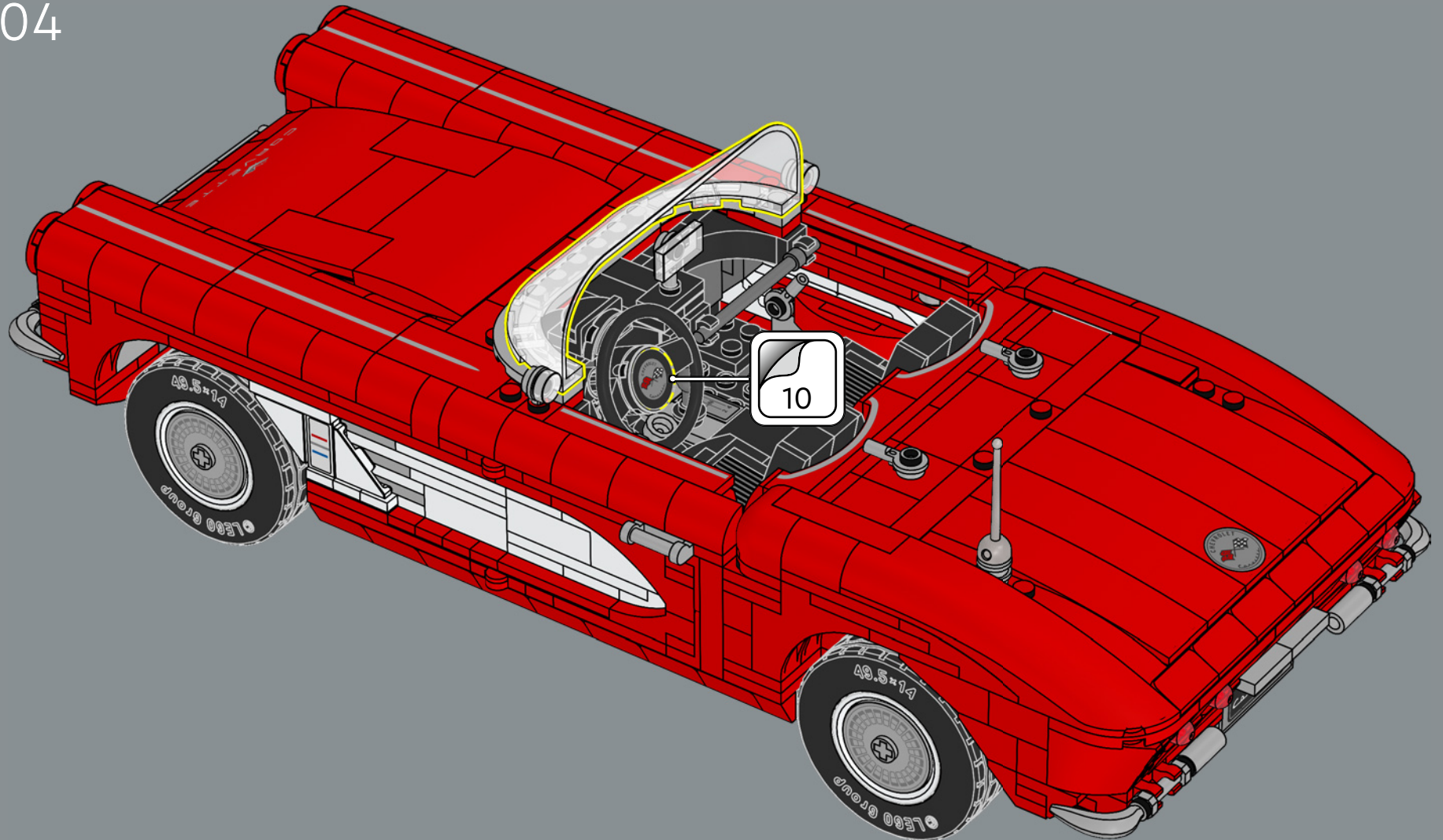
303

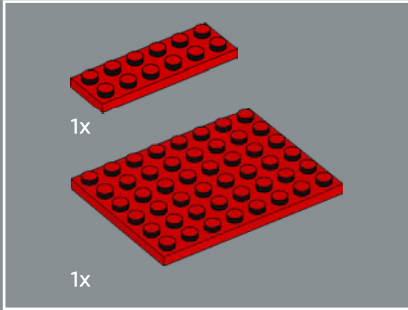
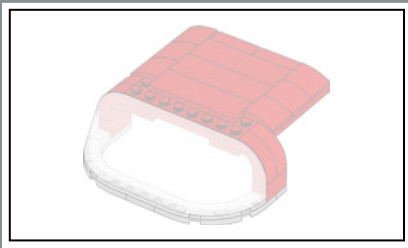




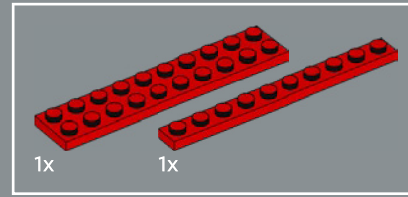
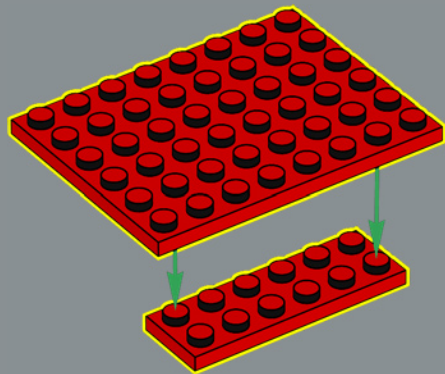
A new custom windscreen was designed specifically for this set. We're using two - one in front and the other attached to the roof - which you can add on a rainy day.

304

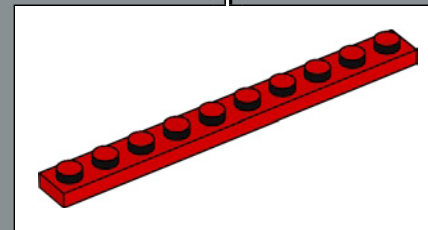
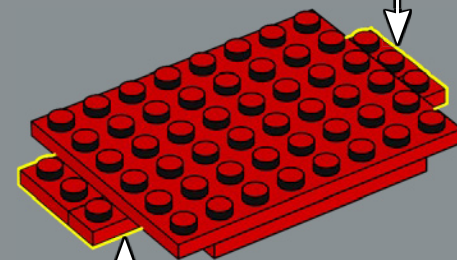
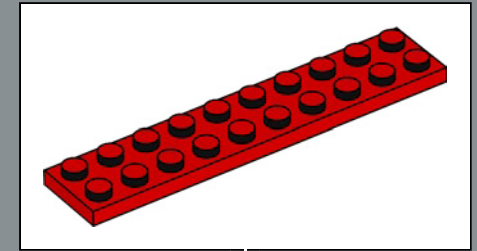


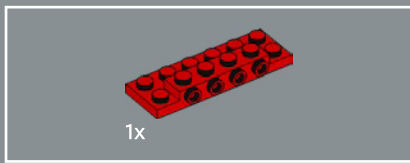


305

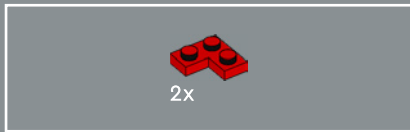
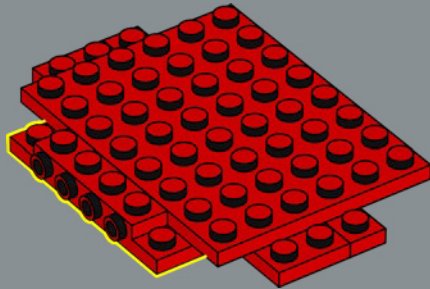


306

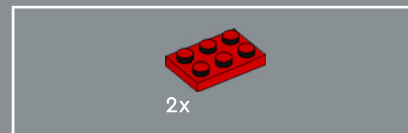
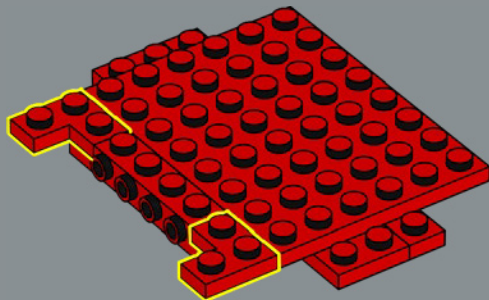




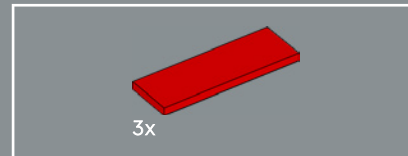
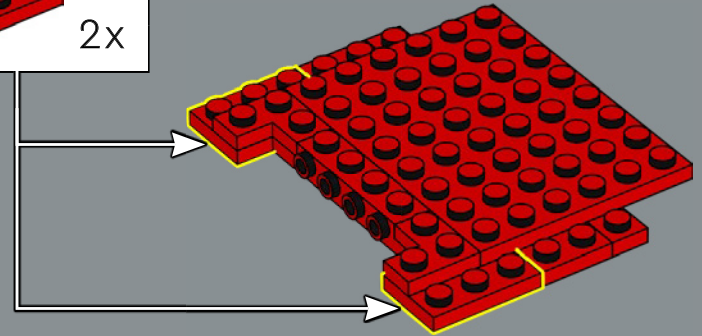
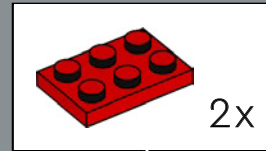
307



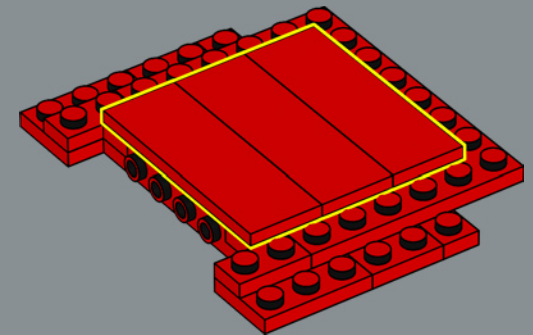
308

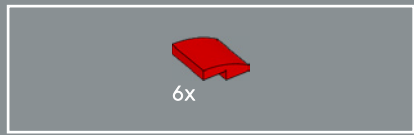


309

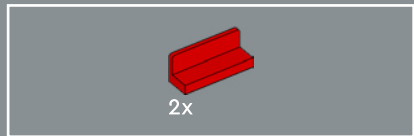
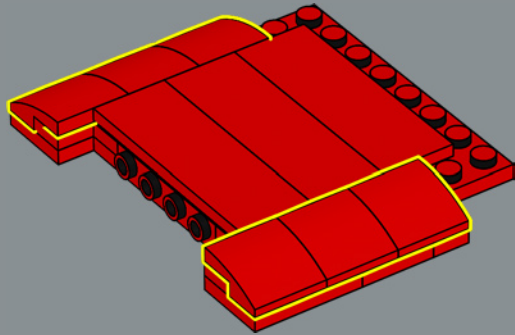


310

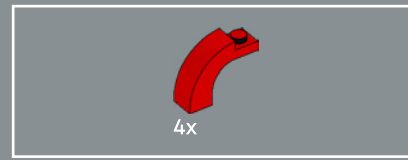
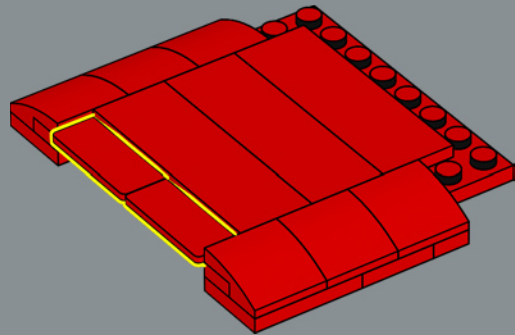




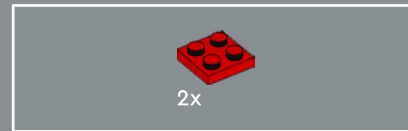
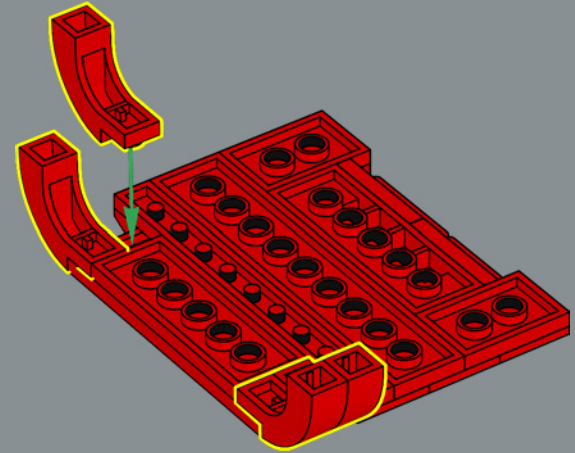
311



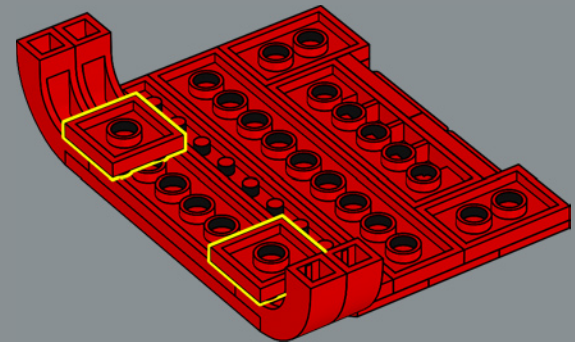
312

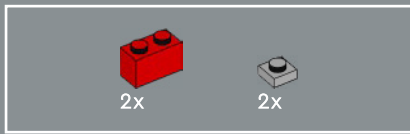


313

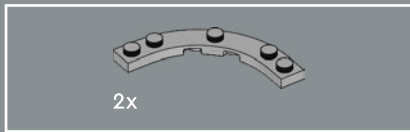
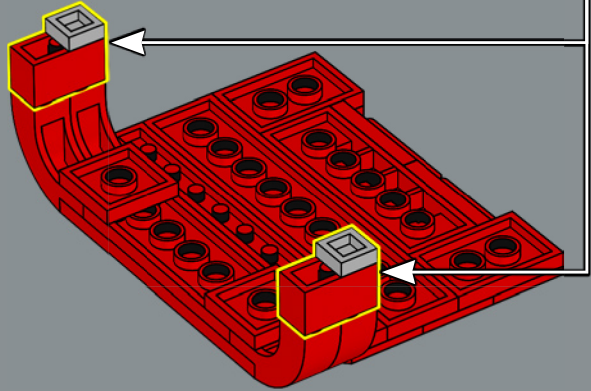
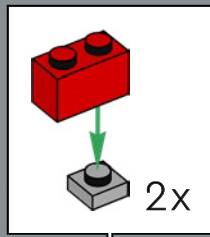


314

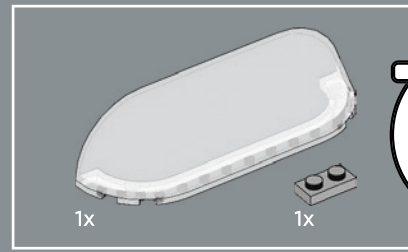
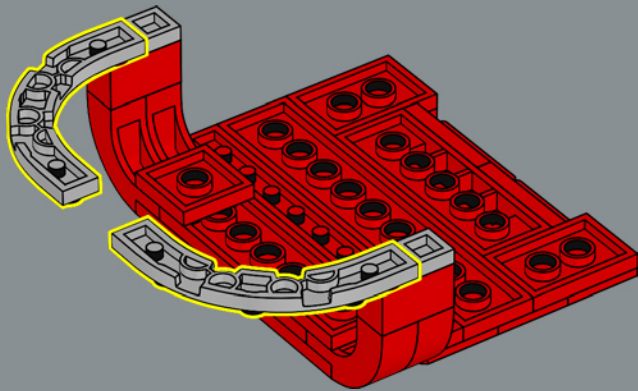




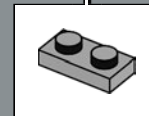
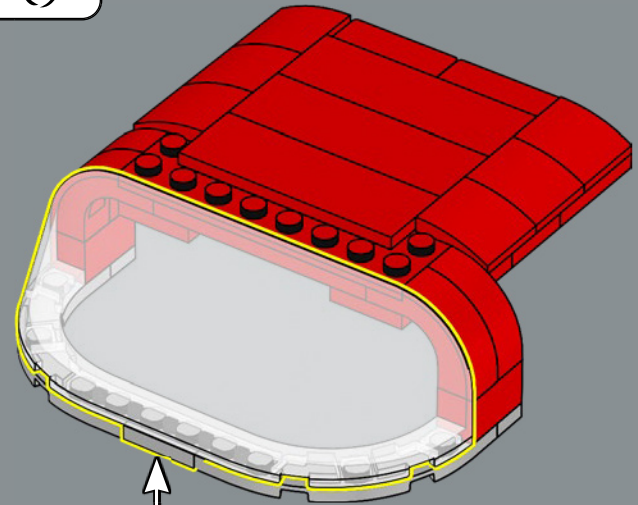
315

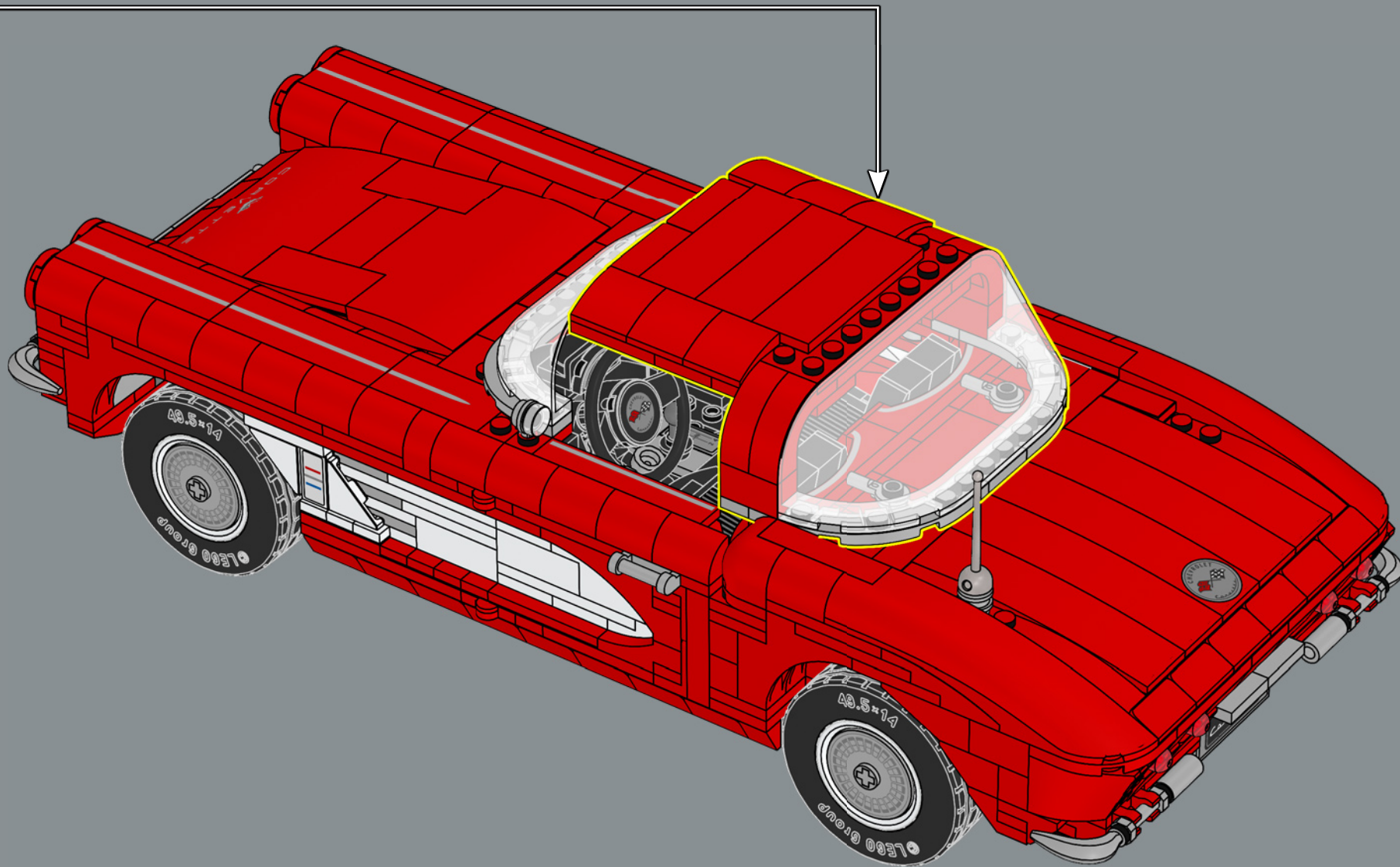


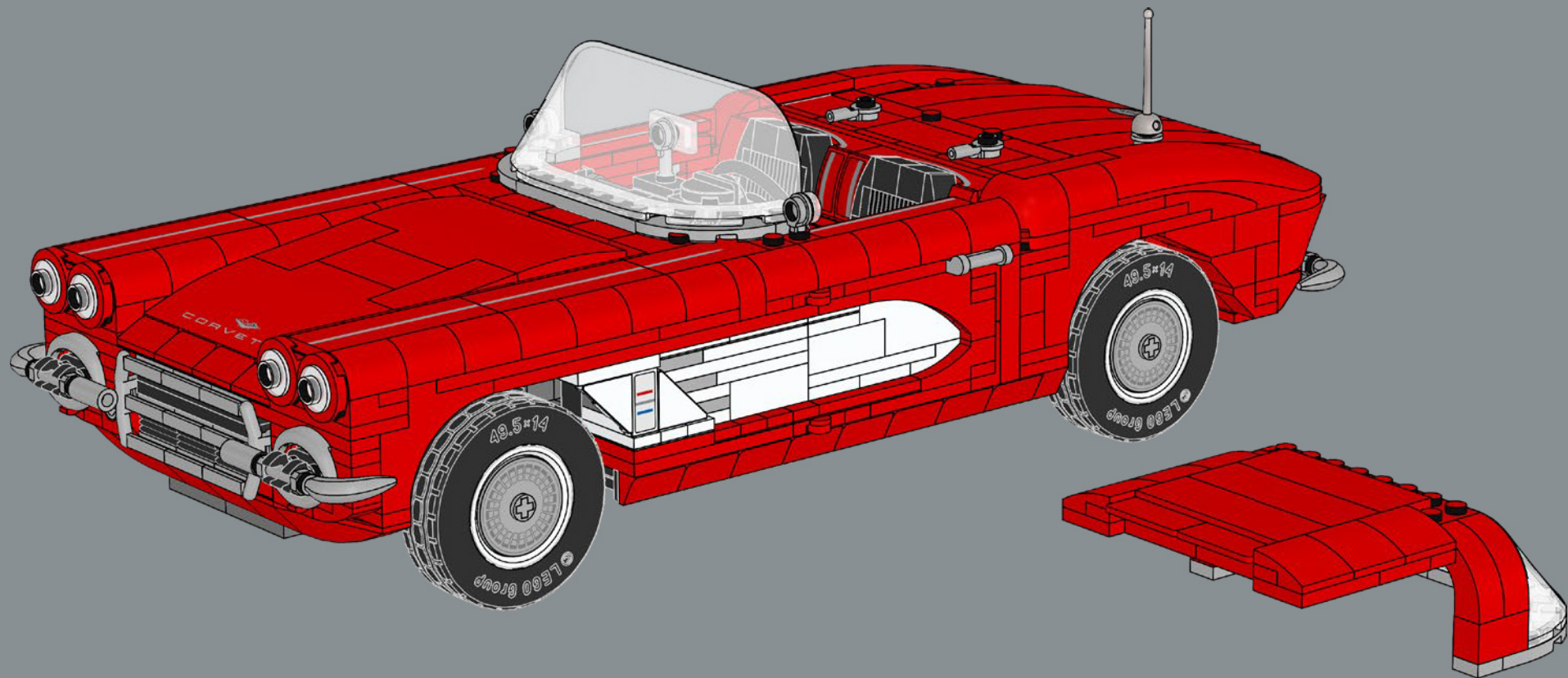
316

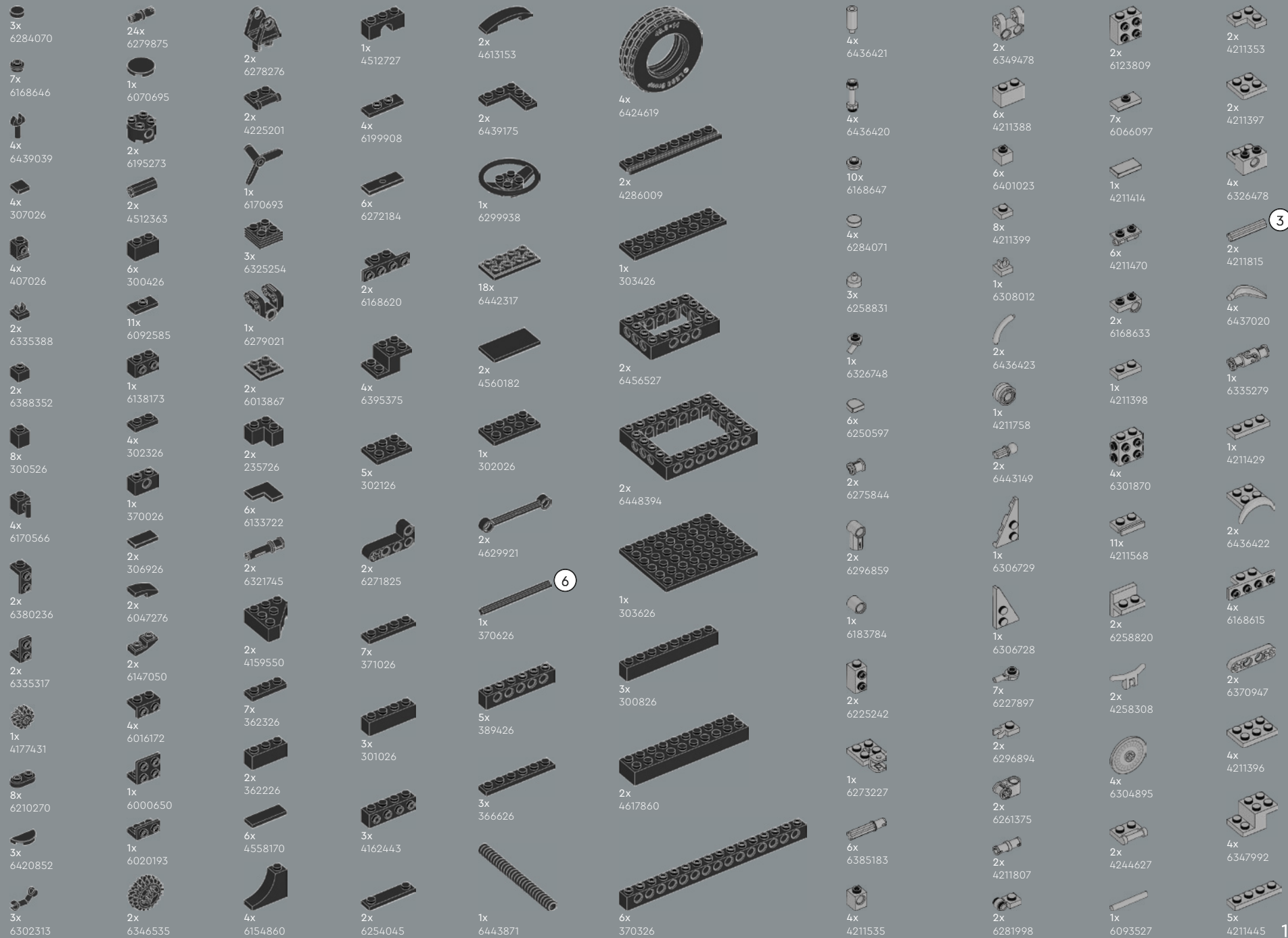


317









3

6

5x
4206482

31x
6299413

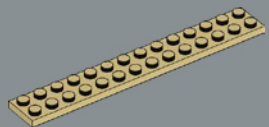
4x
6171762

1x
6013938

2x
4666579

1x
6321305

4x
4114077



1x
6036487



 [LEGO.com/service](https://www.LEGO.com/service)

1x
6274681

6x
6208727

2x
4650865

5x
4539083

1x
6222063

1x
6236213

1x
6371606

4x
6345721

2x
6274738

4x
6450883

1x
6251294



2x
6433640

1x
4211636

2x
4211356

1x
6457283

1x
4515351

2x
6385740

1x
4503416

3x
4560183

2x
4618874

2x
4211438

2x
4211549

2x
4211805

2x
6430583

1x
4211374

1x
4514846

7

3x
306224

4x
6284577

4x
614124

4x
6331822

1x
4201615

2x
242024

2x
302024



1x
6240515

1x
6100030

4x
4210719

1x
6364352

1x
6390673

4x
6296892

2x
6336990

3x
4211094

1x
6350724

1x
4211042

1x
4516546

12x
4210636

10x
4211063

24x
4210762

3x
4210763

10x
6019987

4x
6344754

2x
6168776

1x
4211055

2x
6071261

1x
6015356

2x
6276984

1x
6391550

4x
6343852

6x
6187008

2x
6039176

1x
4560184

1x
6170420

4x
4210998

1x
6133611



YOU COULD WIN



YOU COULD WIN

Your feedback will help shape the future development of this product series.

Visit:

DU KÖNNTEST GEWINNEN

Dein Feedback trägt zur Weiterentwicklung dieser Produktreihe bei.

Geh auf:

VOUS POURRIEZ GAGNER

Vos commentaires nous aideront à concevoir les futurs produits de cette gamme.

Visitez :

POTRESTI VINCERE TU

La tua opinione ci aiuterà a migliorare la creazione futura di questa linea di prodotti.

Visita:

PUEDES GANAR

Tu opinión contribuirá al futuro de esta serie de productos.

Visita:

轻松获奖

您的反馈将有助于我们在今后改进本产品系列。

请访问:

[LEGO.com/productfeedback](https://www.lego.com/productfeedback)

You also have the chance to win a LEGO® set.

Terms and conditions apply.*

Außerdem hast du die Chance, ein LEGO® Set zu gewinnen.

Es gelten die Teilnahmebedingungen.*

Vous pourriez également gagner un ensemble LEGO®.

Des conditions s'appliquent.*

Hai anche la possibilità di vincere un set LEGO®.

Termini e condizioni sono applicabili.*

También tienes la oportunidad de ganar un set LEGO®.

Aplican términos y condiciones.*

您还有机会赢取乐高®套装。

条款和条件适用。*

*[LEGO.com/productfeedback-terms](https://www.lego.com/productfeedback-terms)



LEGO and the LEGO logo are trademarks of the LEGO Group. ©2023 The LEGO Group.
General Motors trademarks used under license to the LEGO Group.

6490648