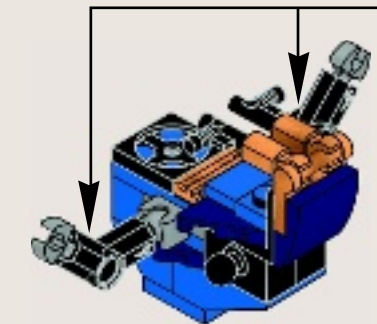
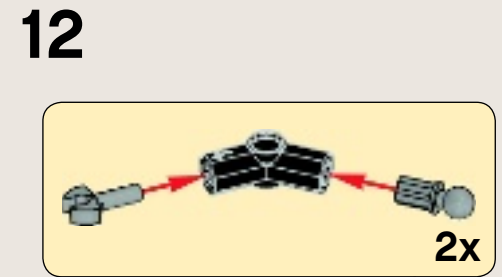
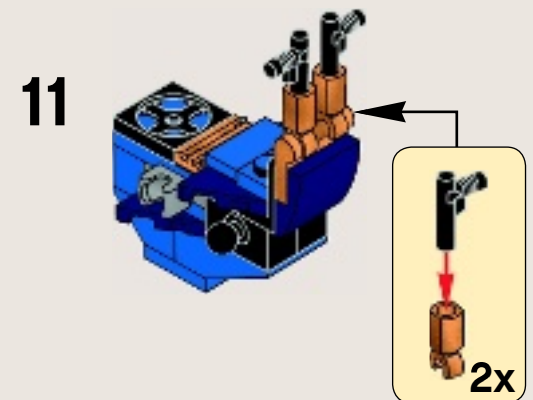
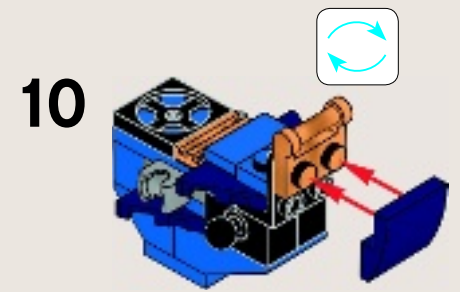
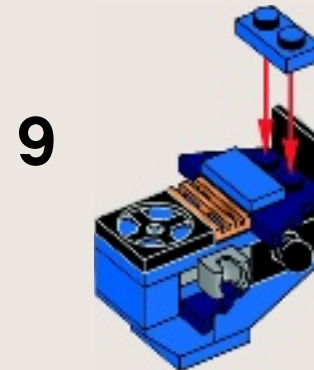
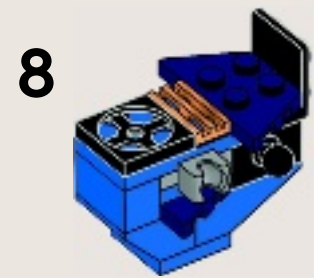
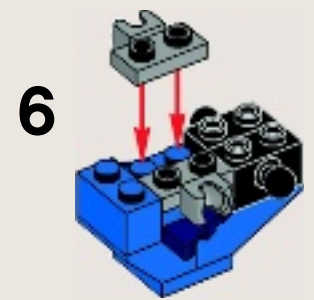
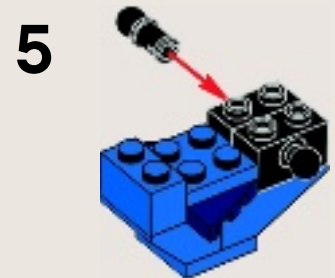
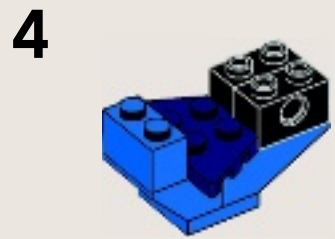
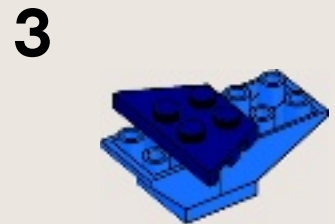
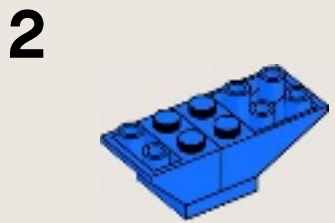
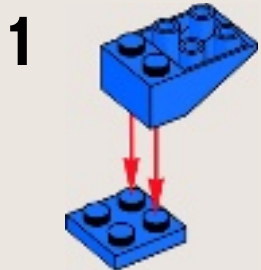
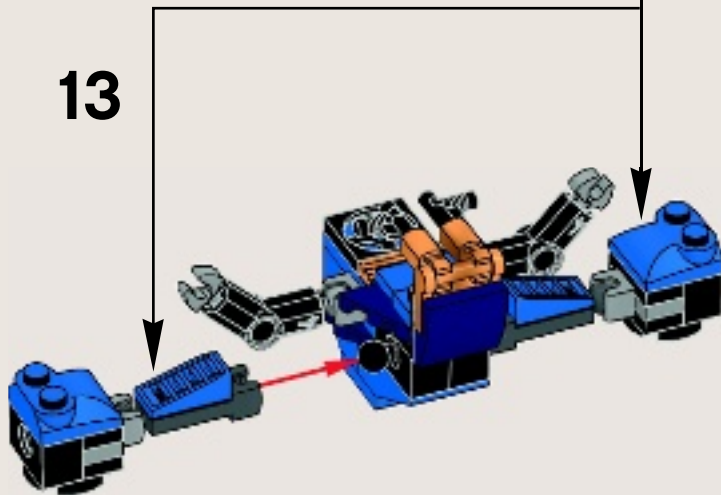
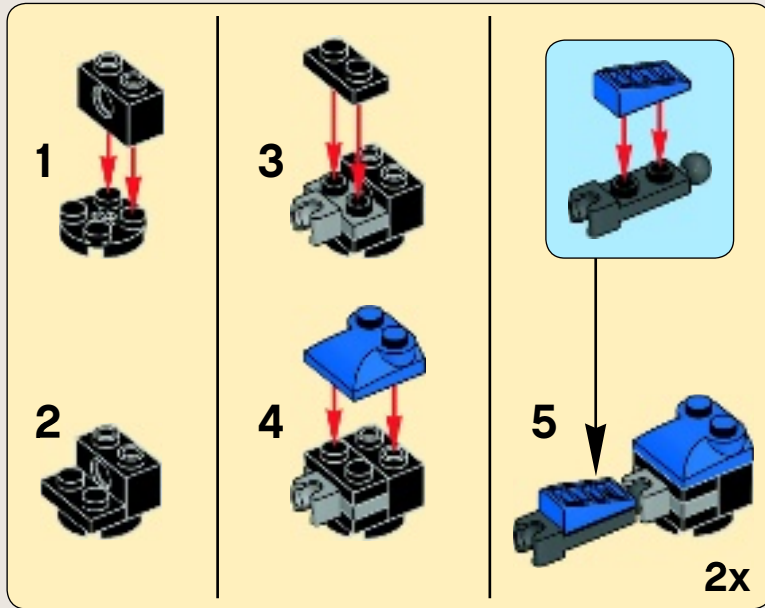


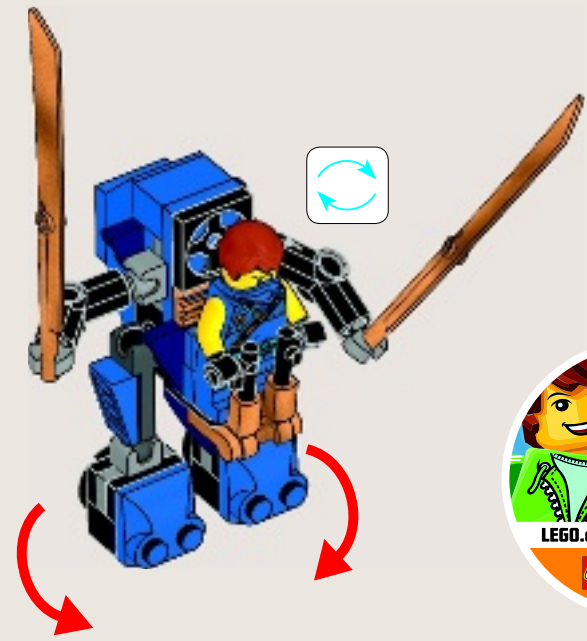


FSC  
www.fsc.org  
MIX  
Paper from  
responsible sources  
FSC® C117818





14



LEGO.com/service

LEGO.com/ninjago

LEGO and the LEGO logo are trademarks of the LEGO Group. ©2015 The LEGO Group. 6114487



LEGO.COM/NINJAGO