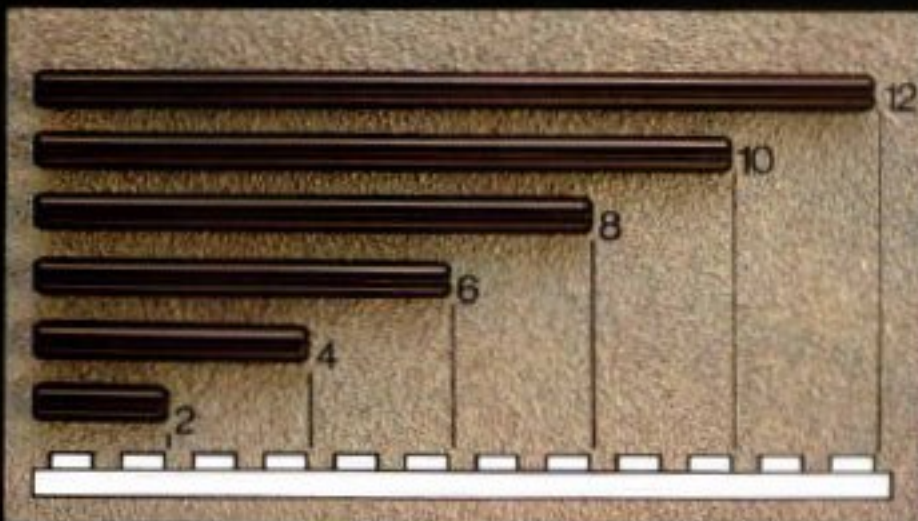


950

Fork Lift Expert Builder Set



120139

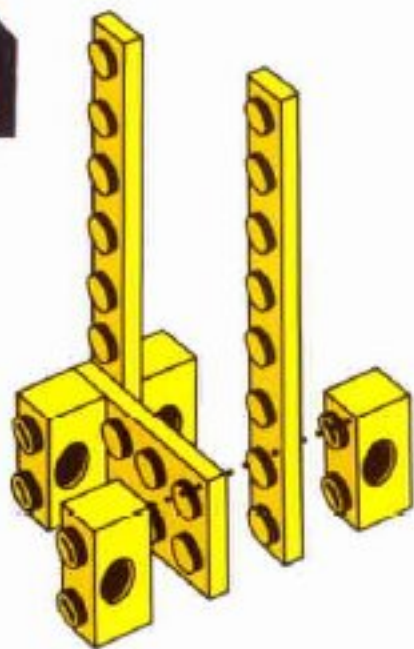


Building hints

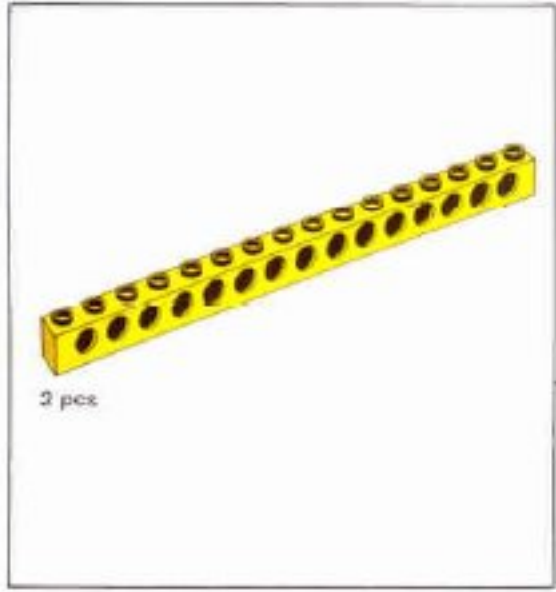
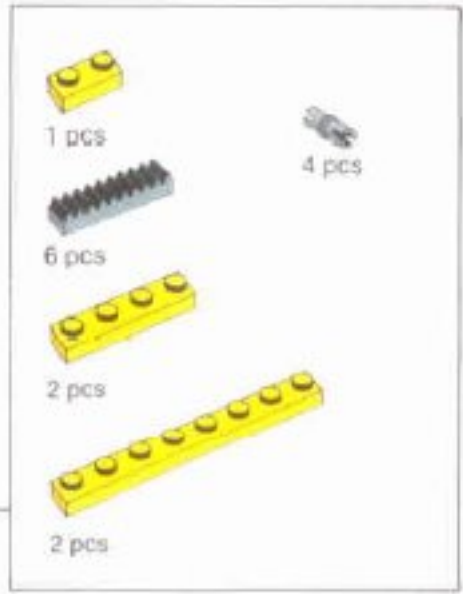
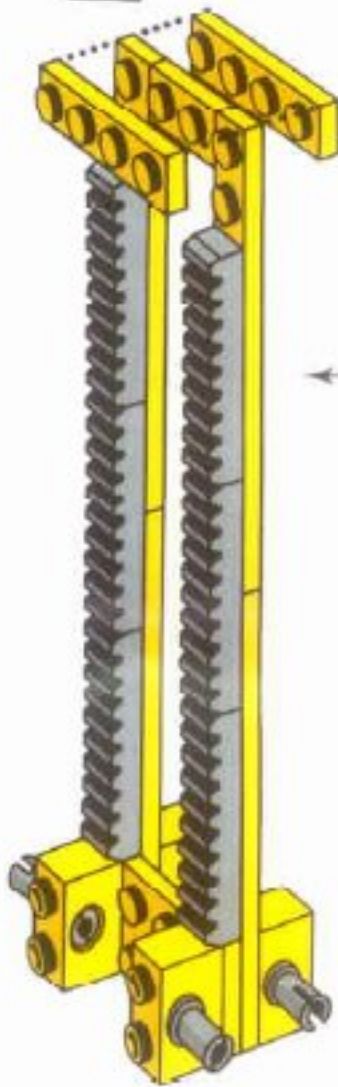
The following building hints will help you to realize the fun and satisfaction of this Expert Builder Set:

1. The instructions for building your Expert model are divided into individual construction phases. Each phase is numbered starting with number one.
2. The quantities and types of building pieces to be added are shown at each phase of construction. Select and count each of these pieces before you start building the next phase.
3. The numbers in the instructions near the axles show the length of axle to be used. These numbers go with the axle sizes shown on this page.
4. Take your time. The fun of building this model for the first time will then last even longer!

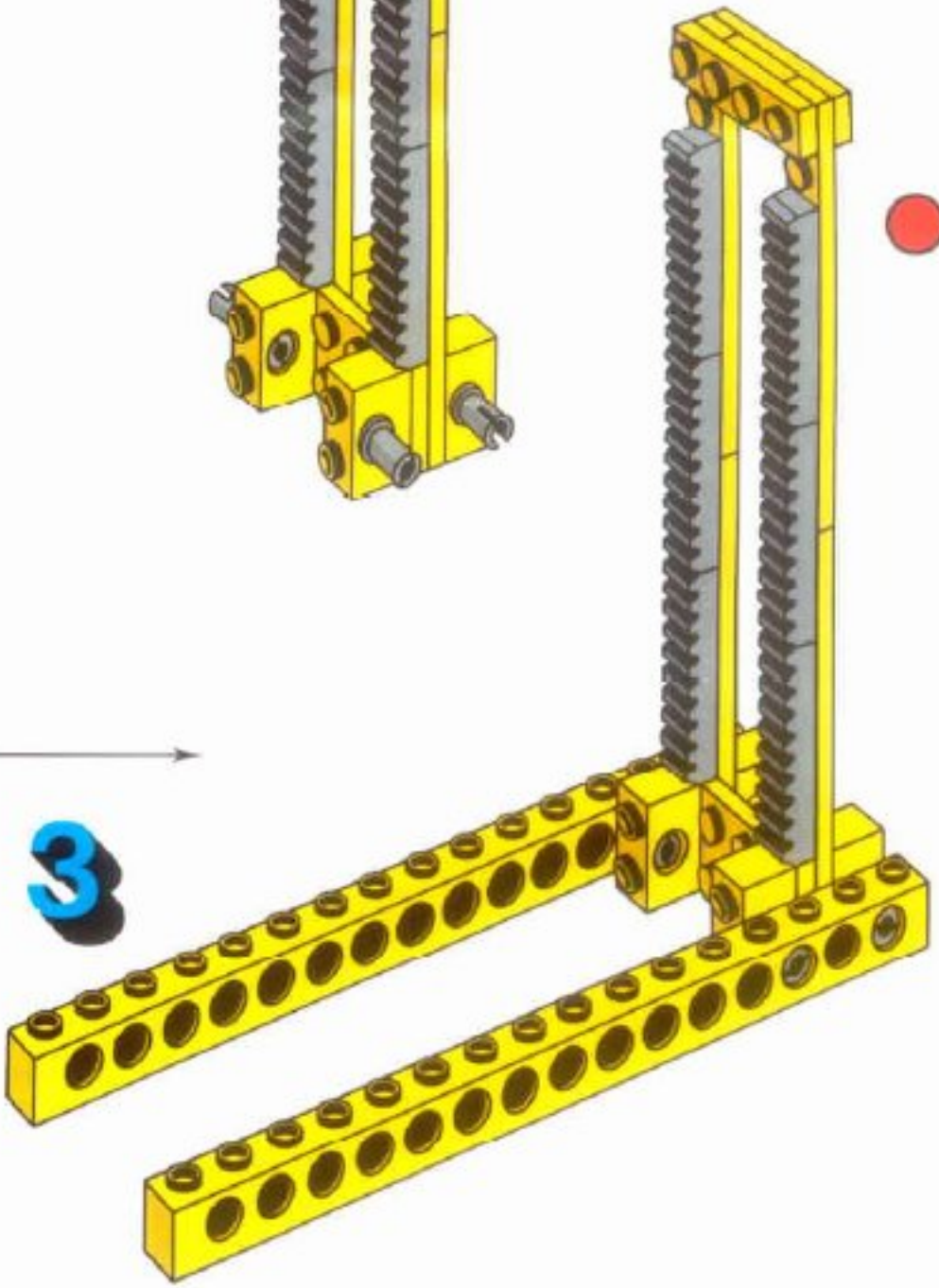
1



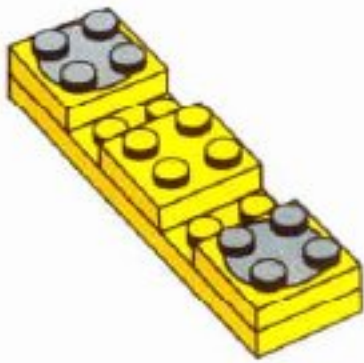
2



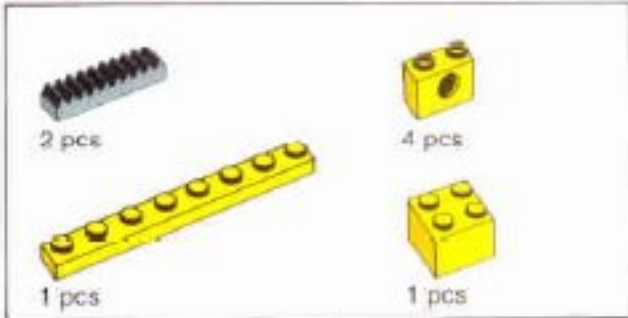
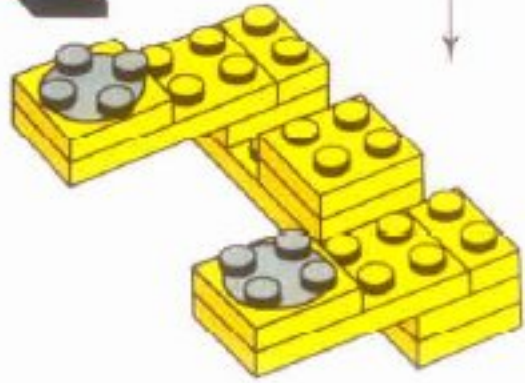
3



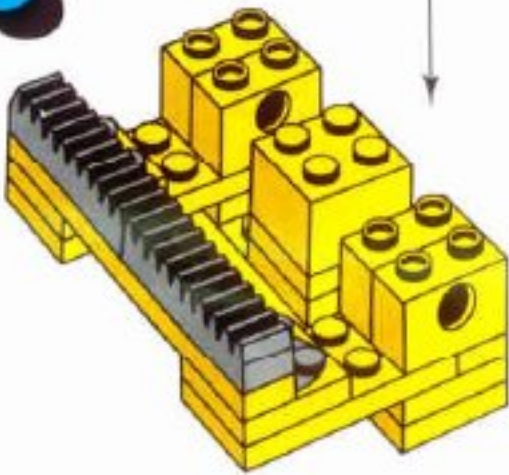
1



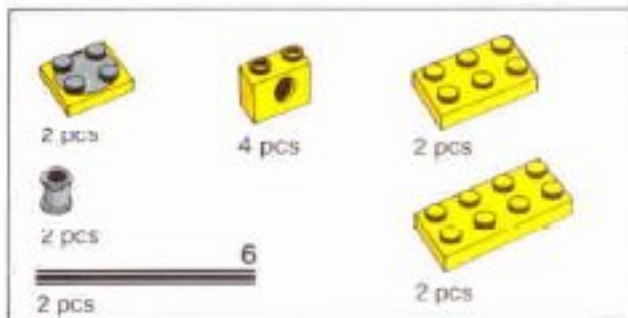
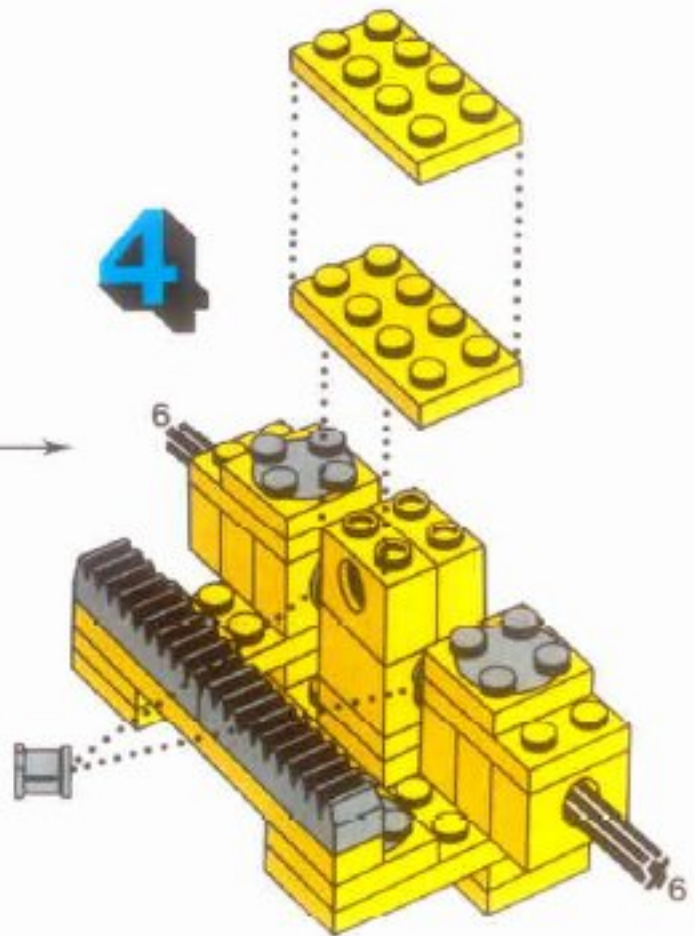
2



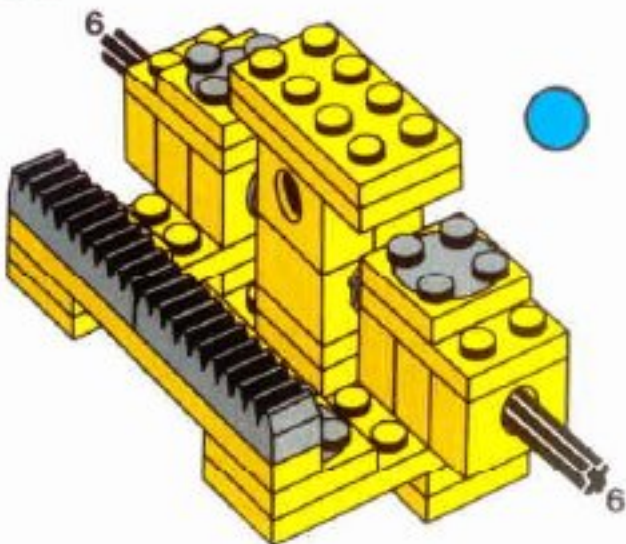
3



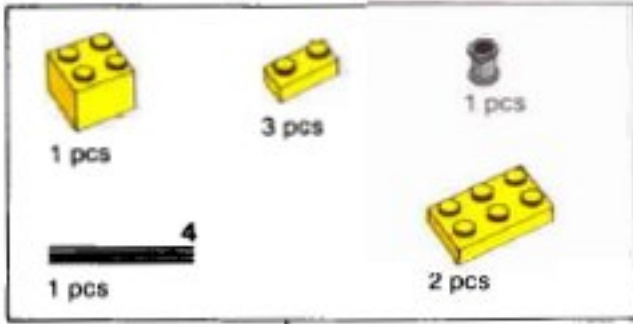
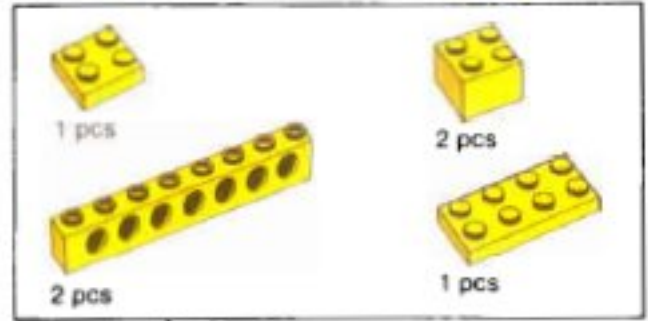
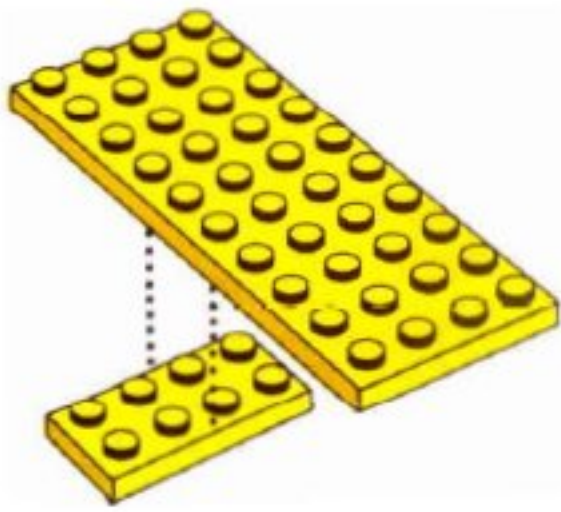
4



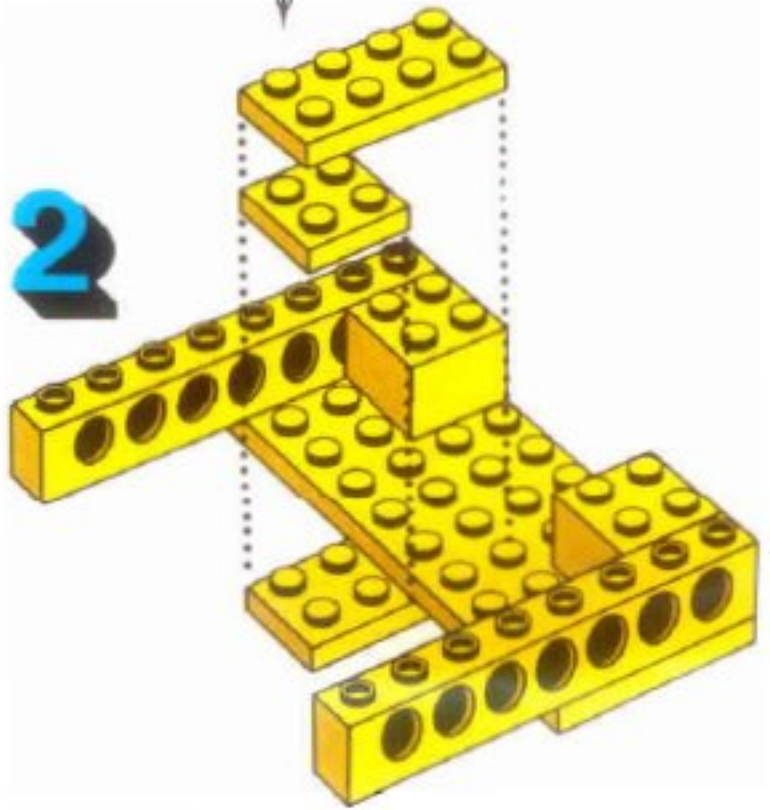
5



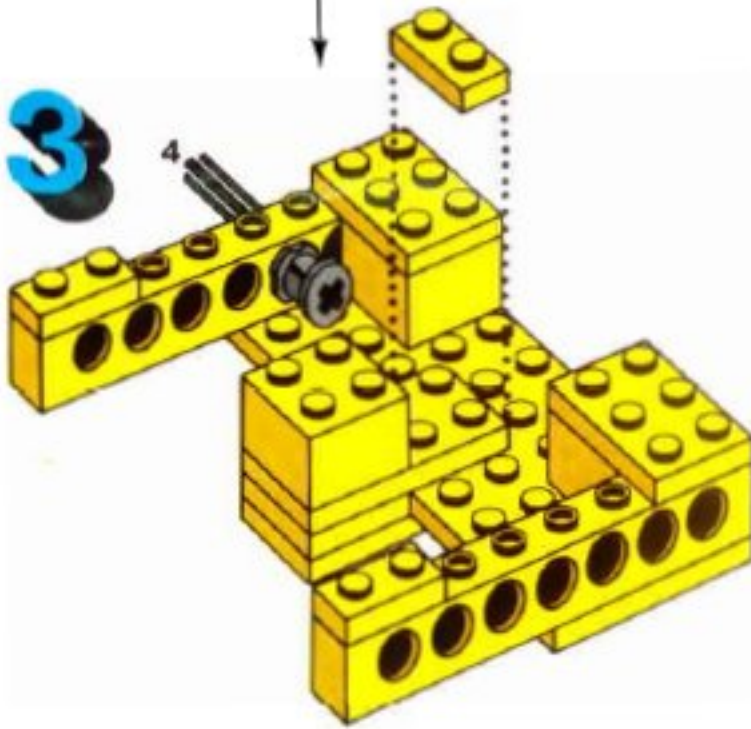
1



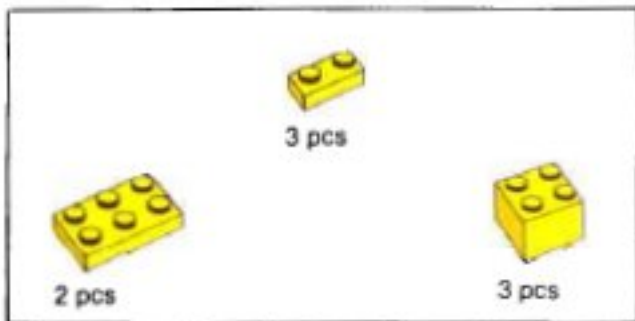
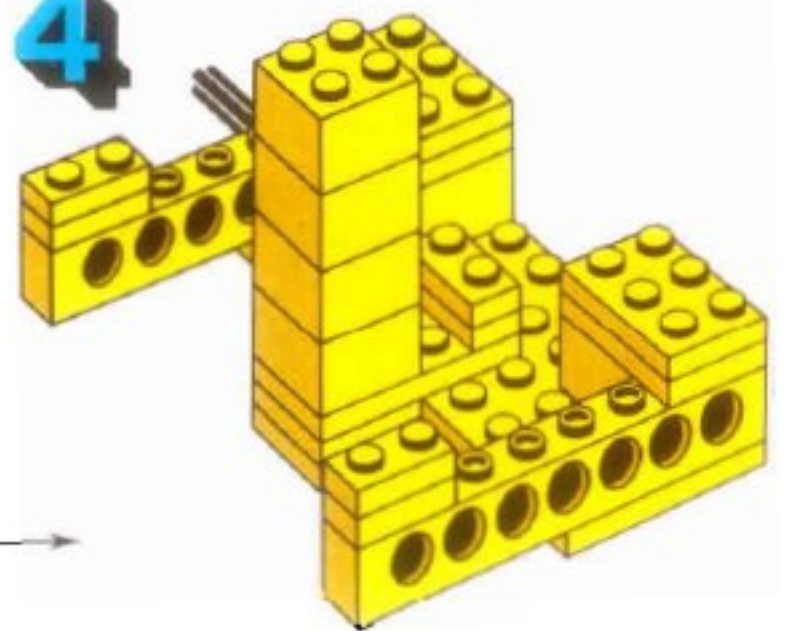
2



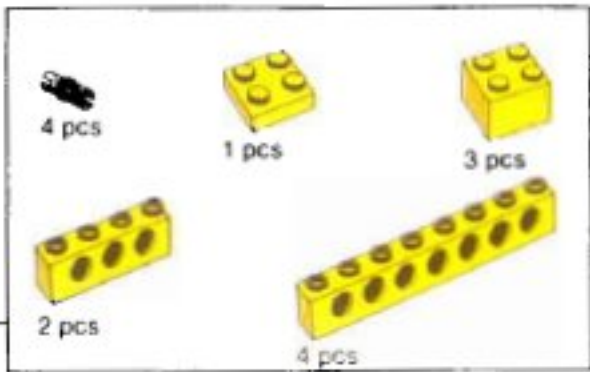
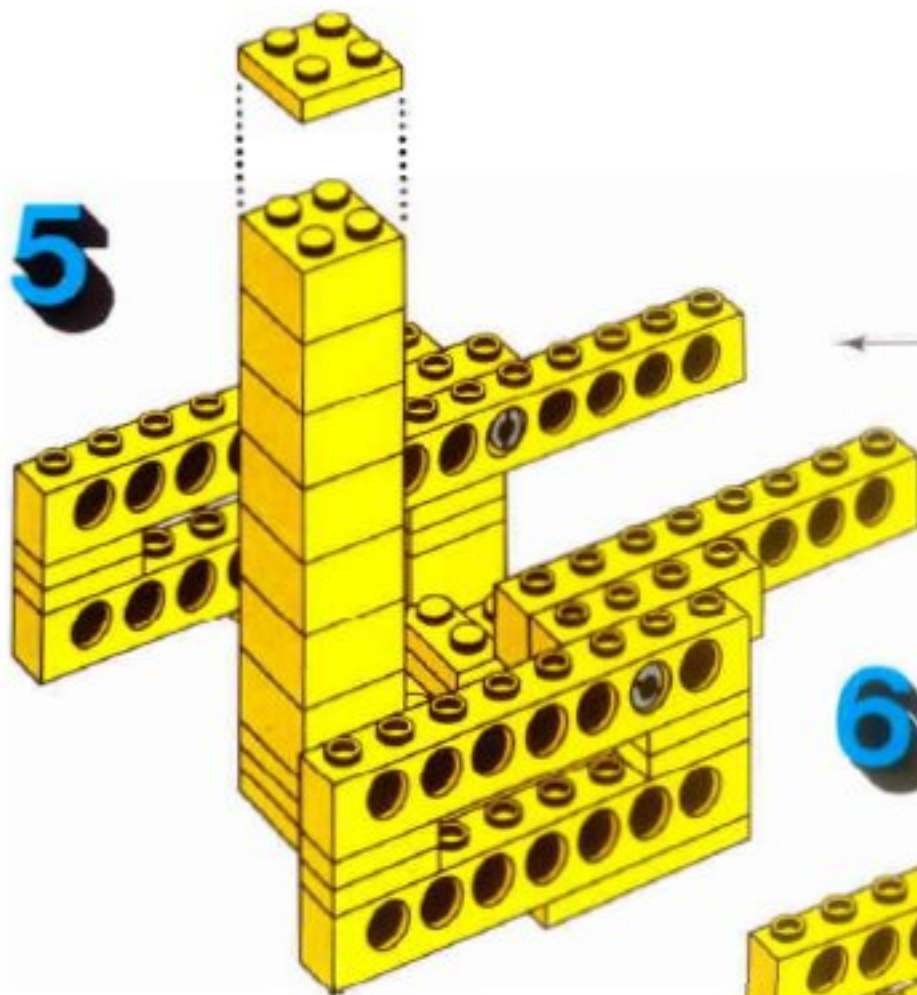
3



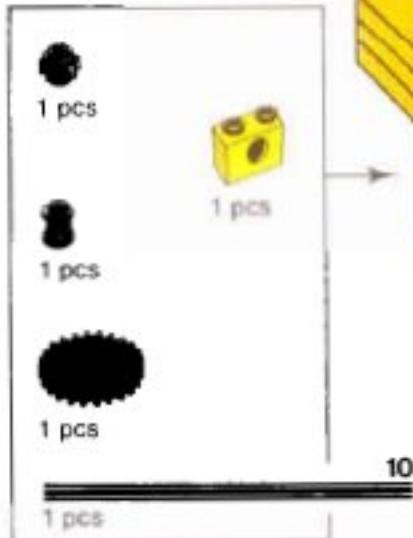
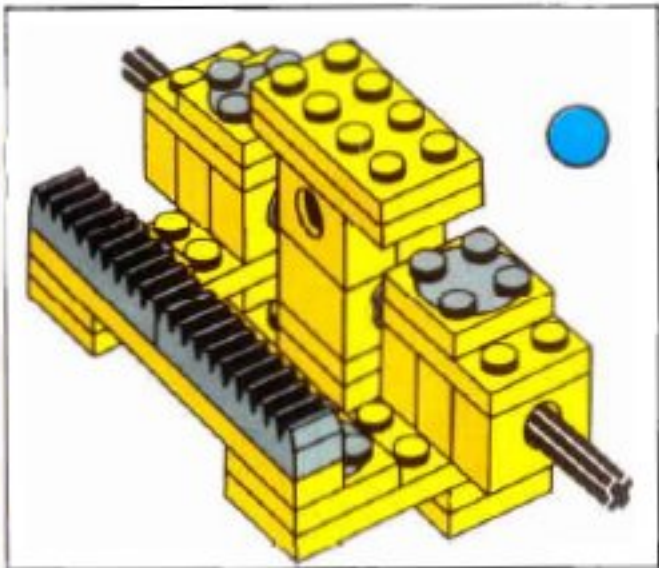
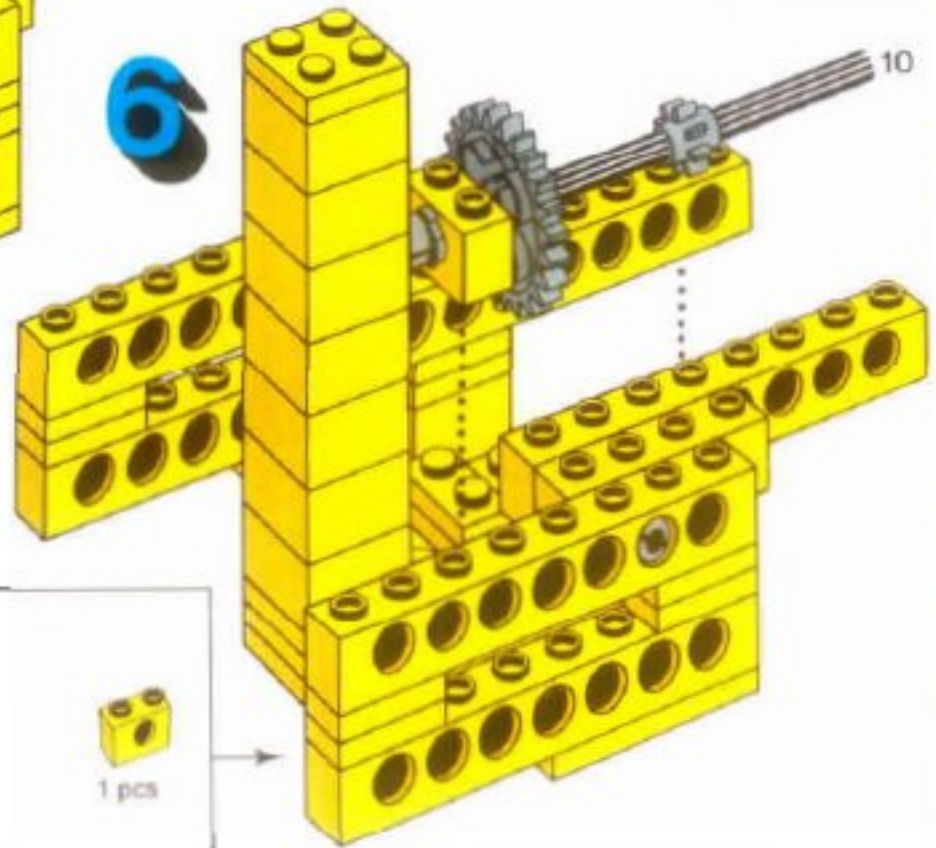
4



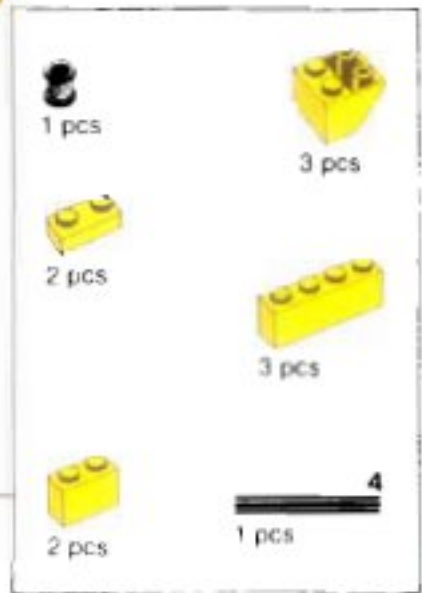
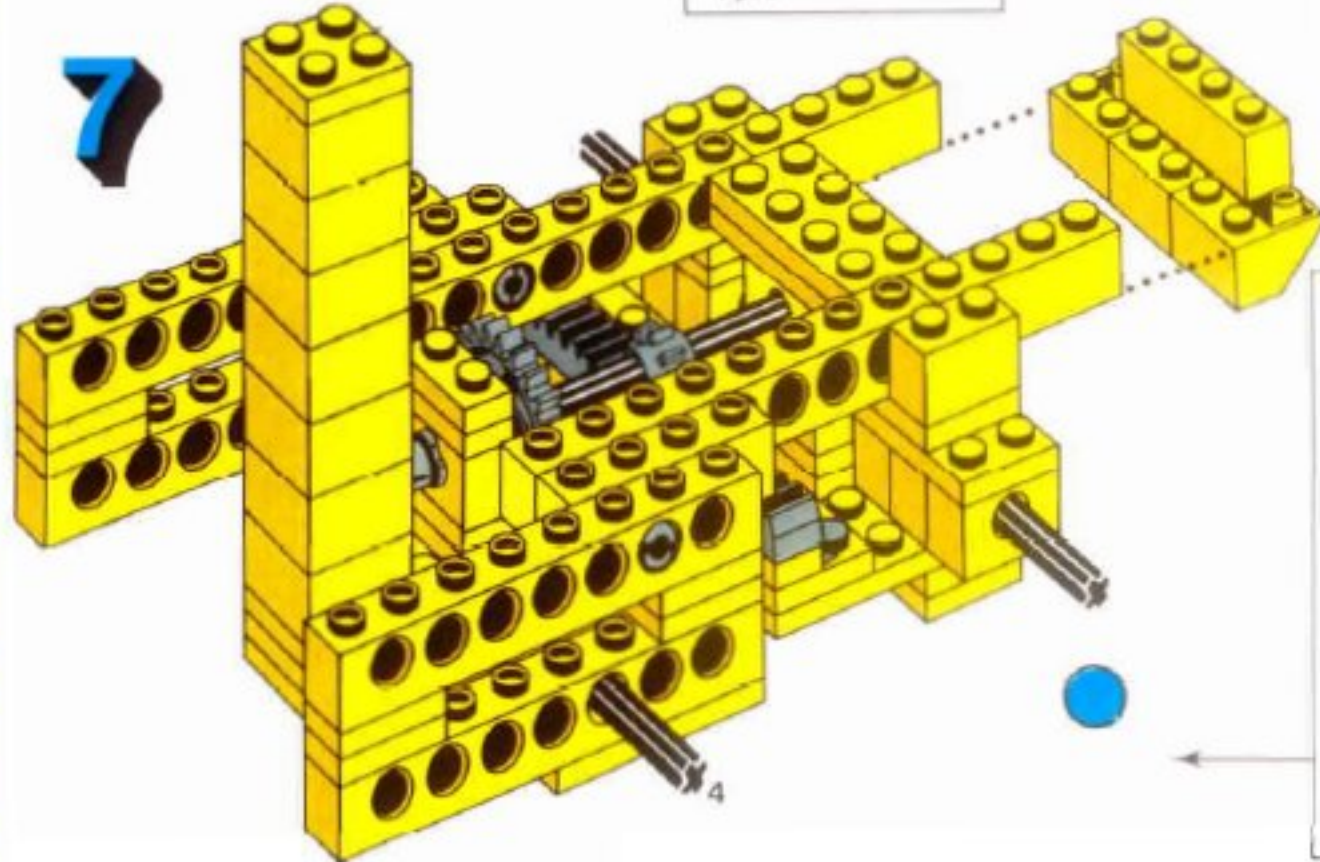
5



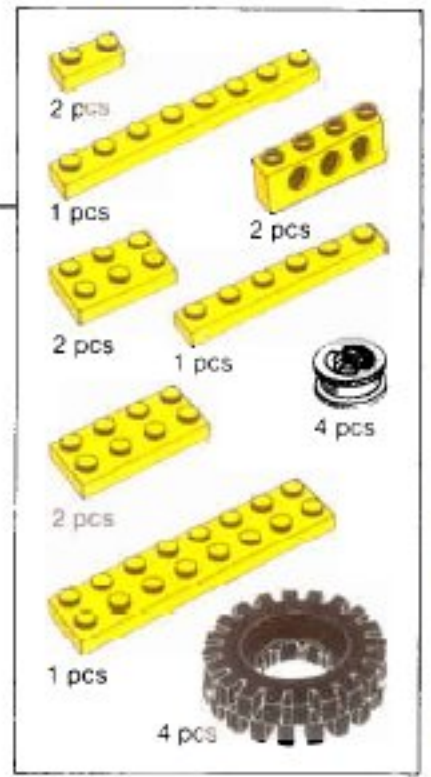
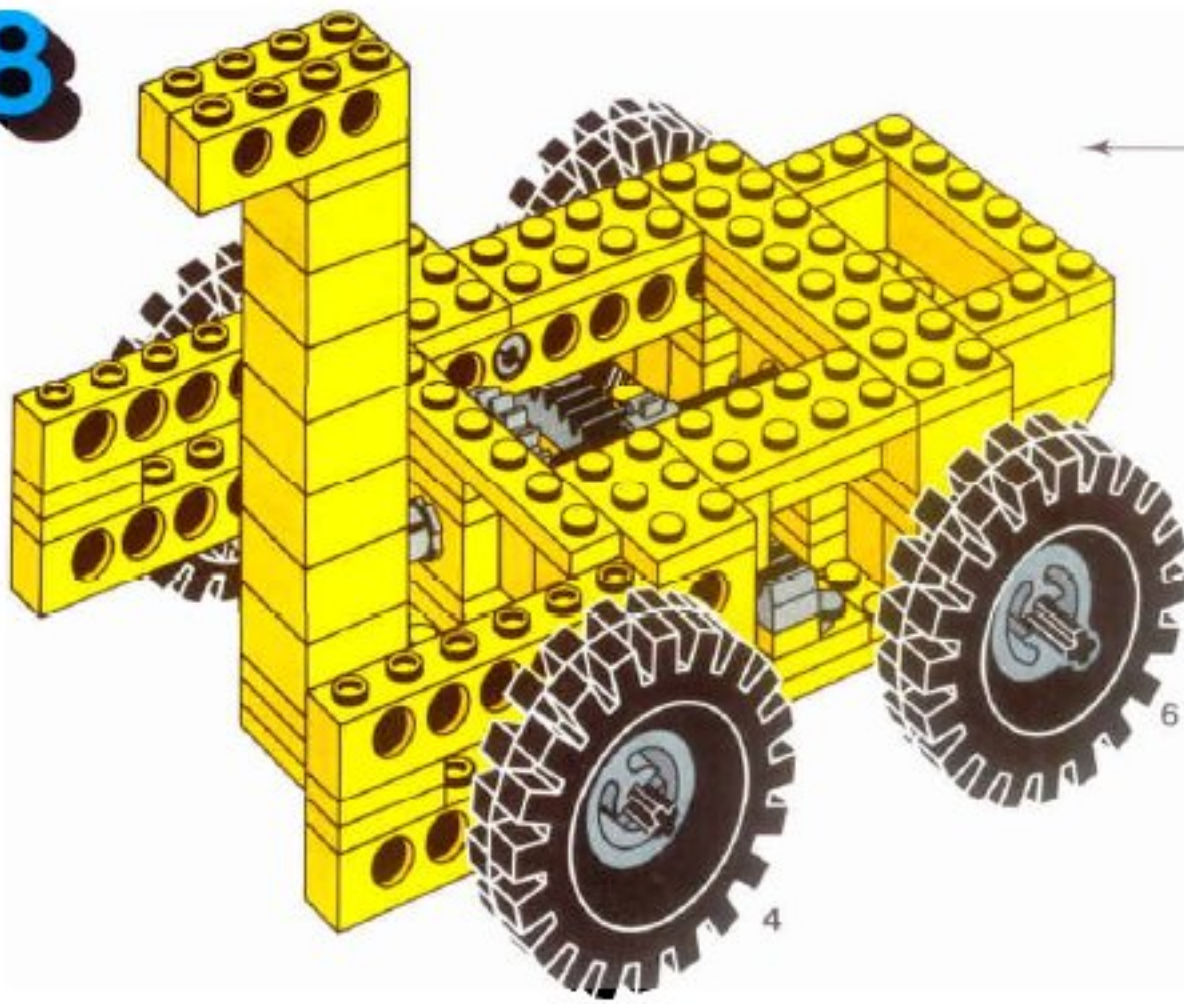
6



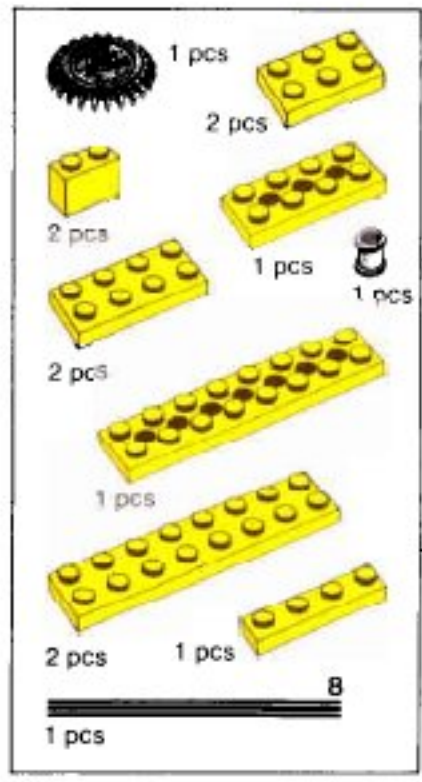
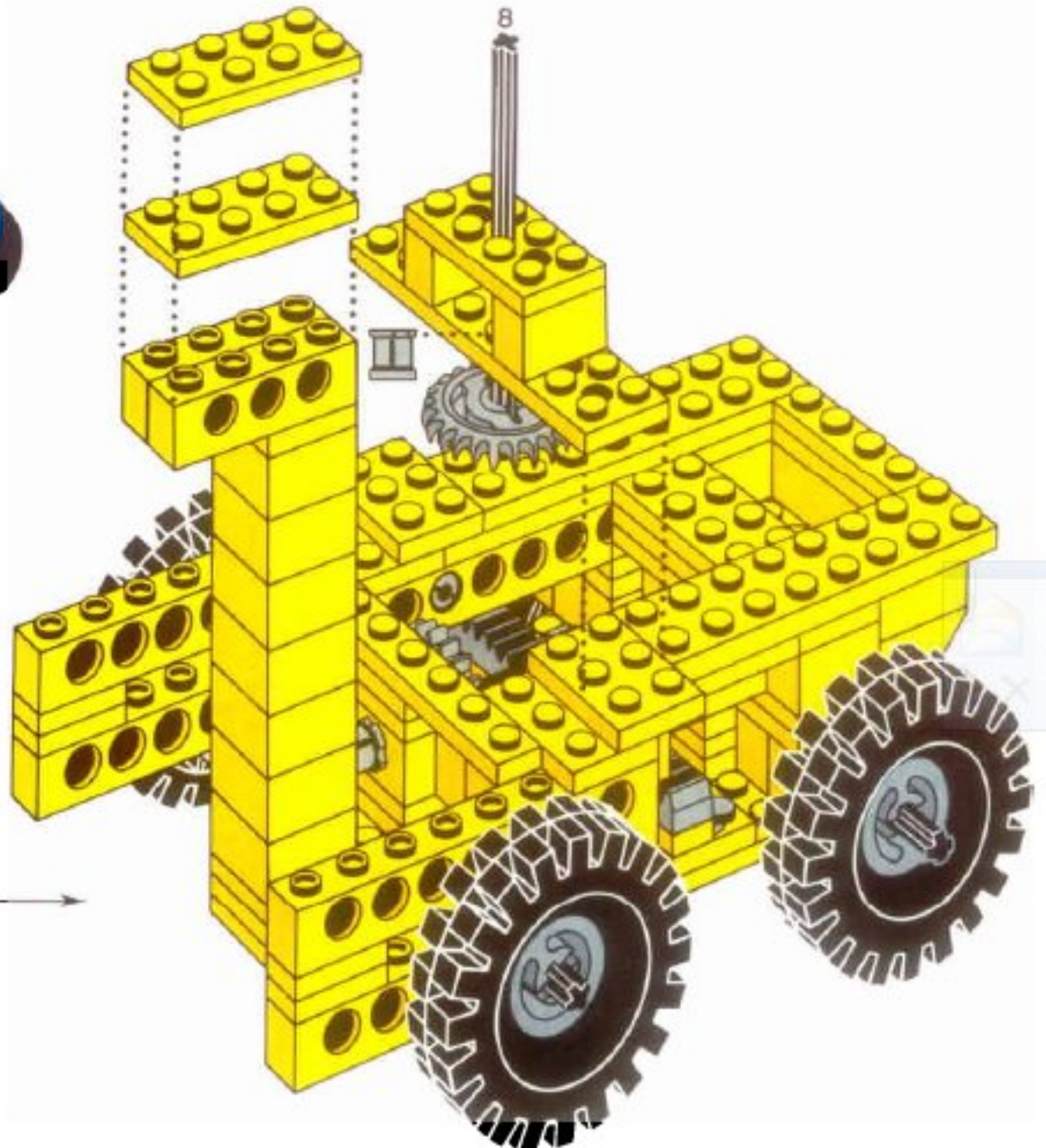
7



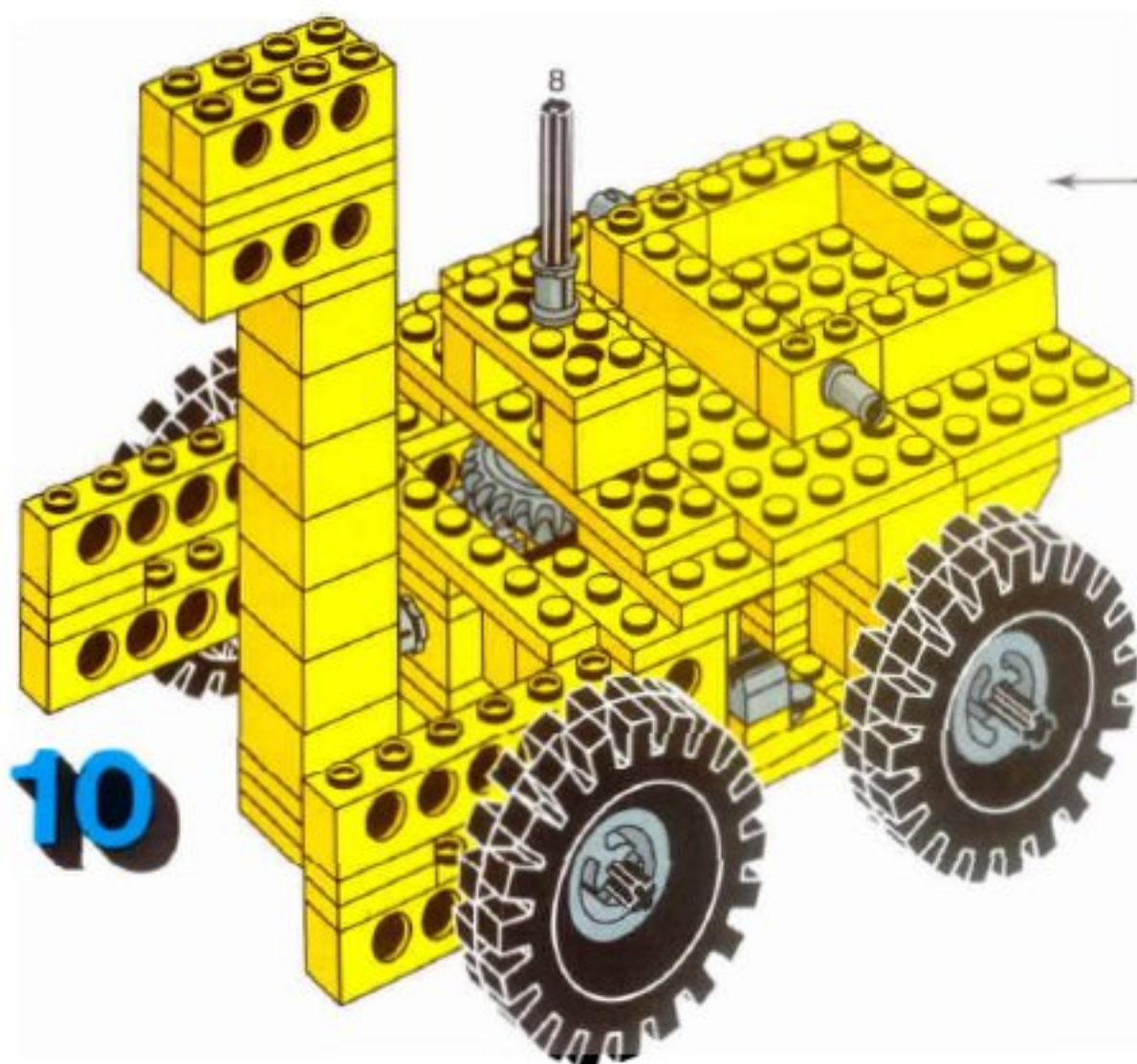
8








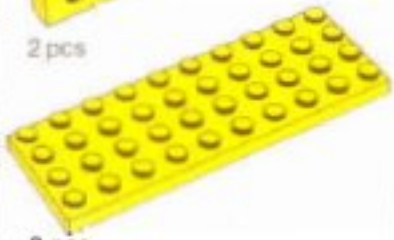


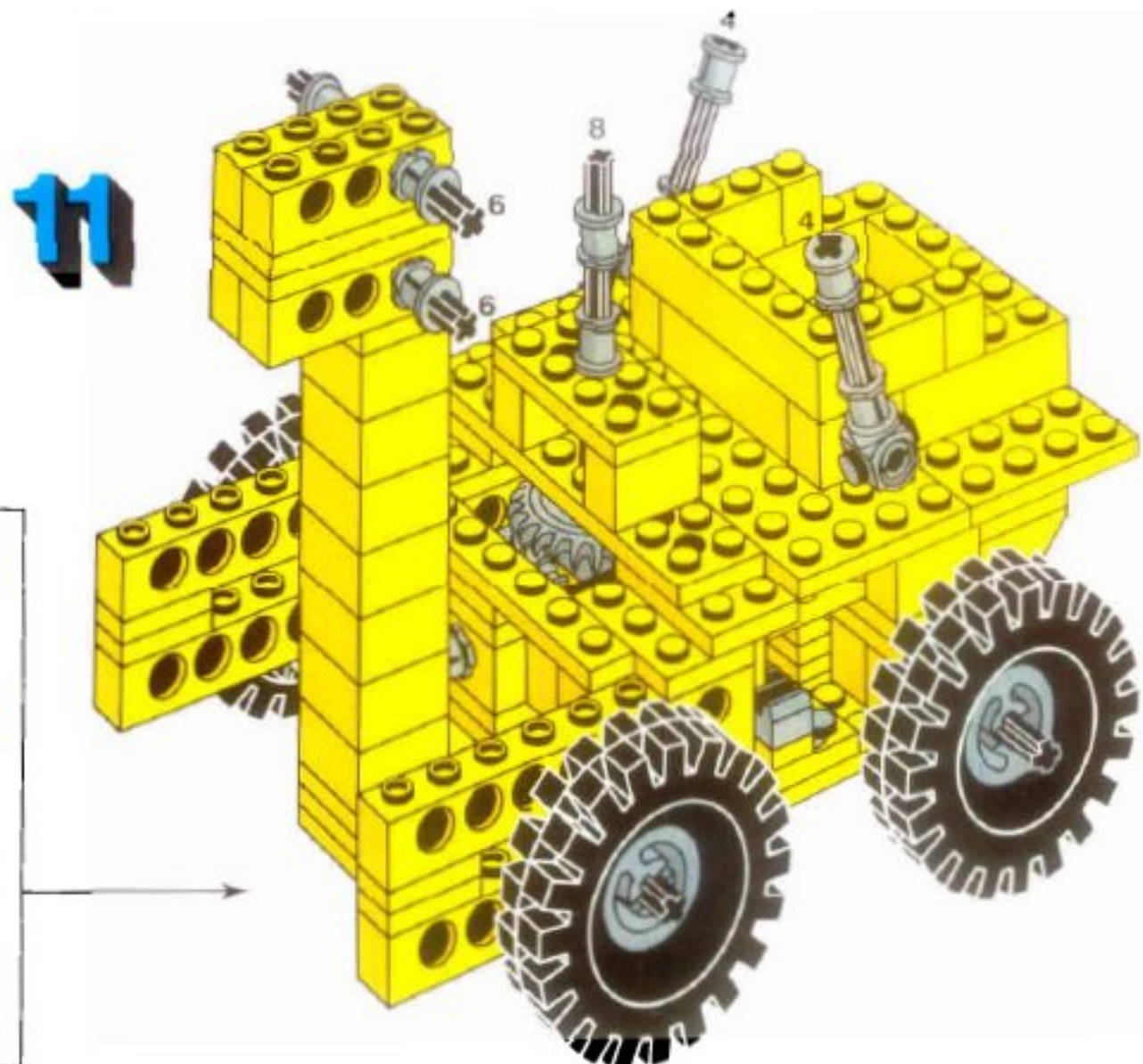
9











Hilf
RE:
St...

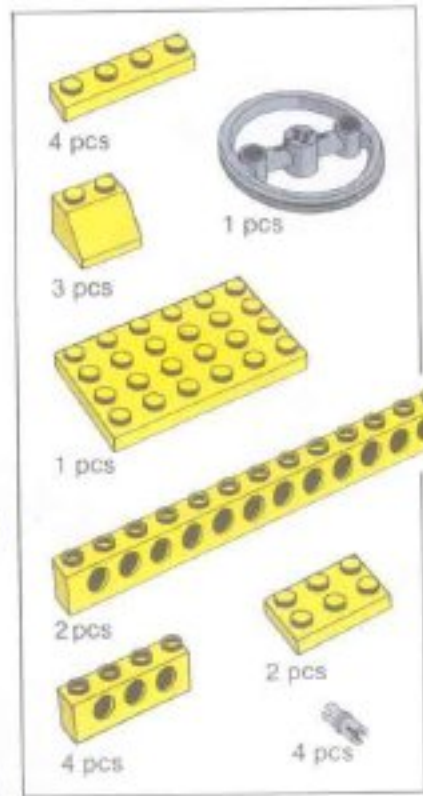
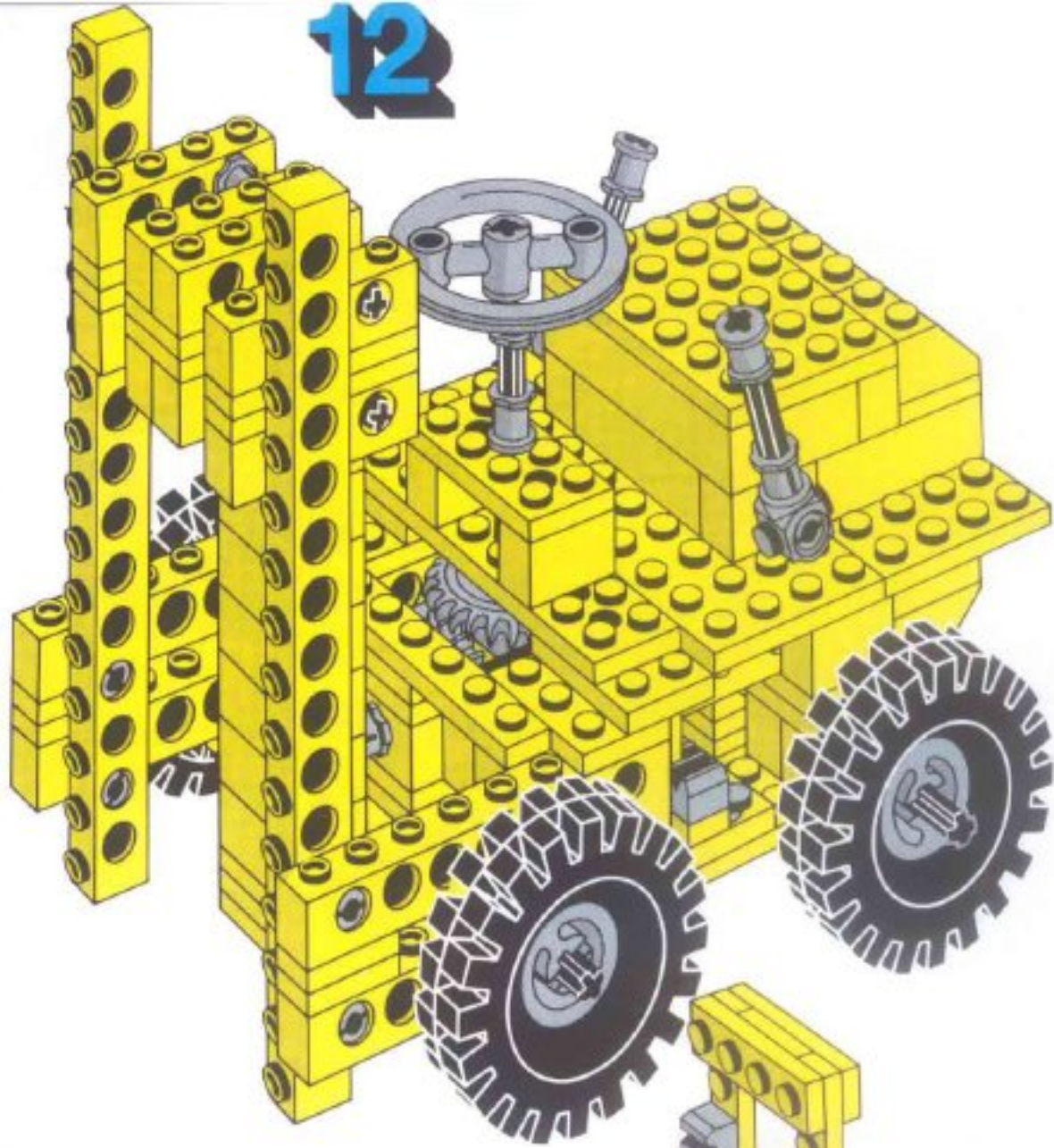


-  2 pcs
-  1 pcs
-  2 pcs
-  2 pcs
-  2 pcs
-  4 pcs
-  2 pcs
- 

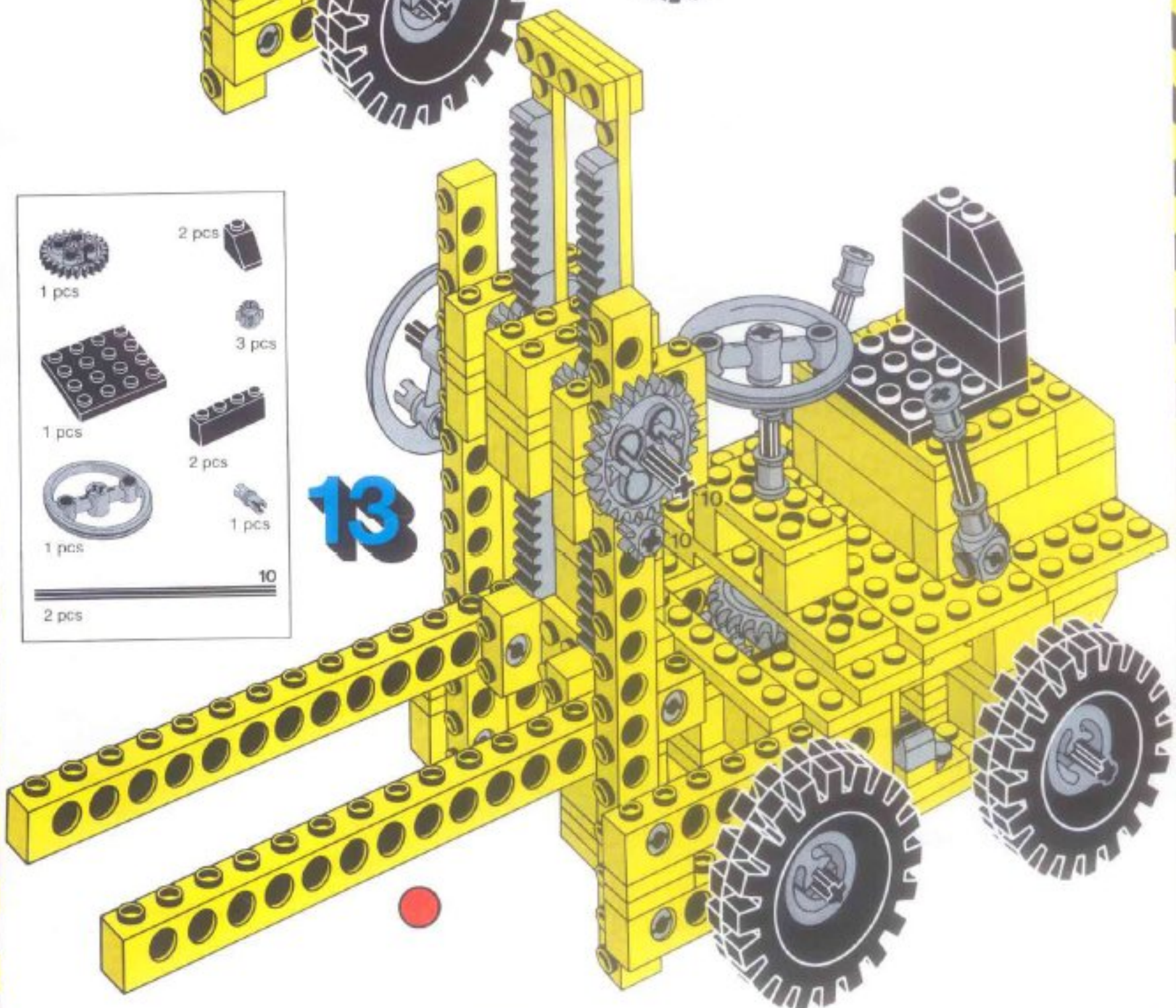


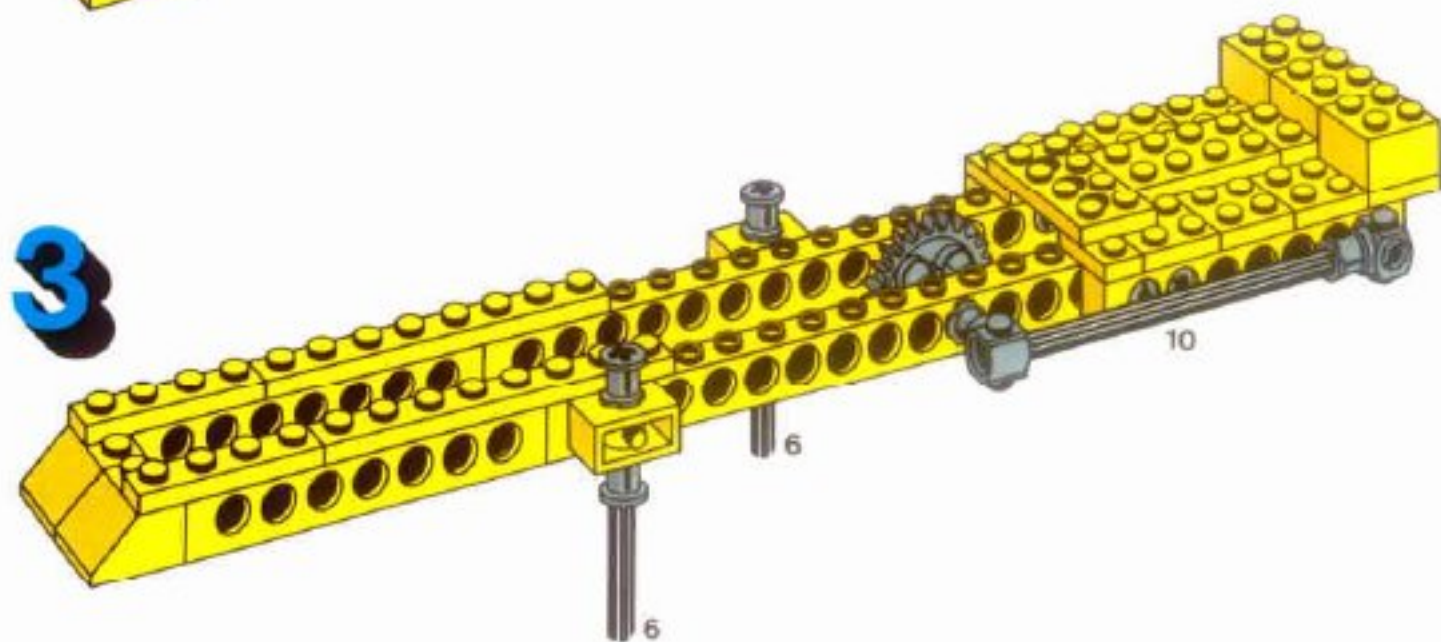
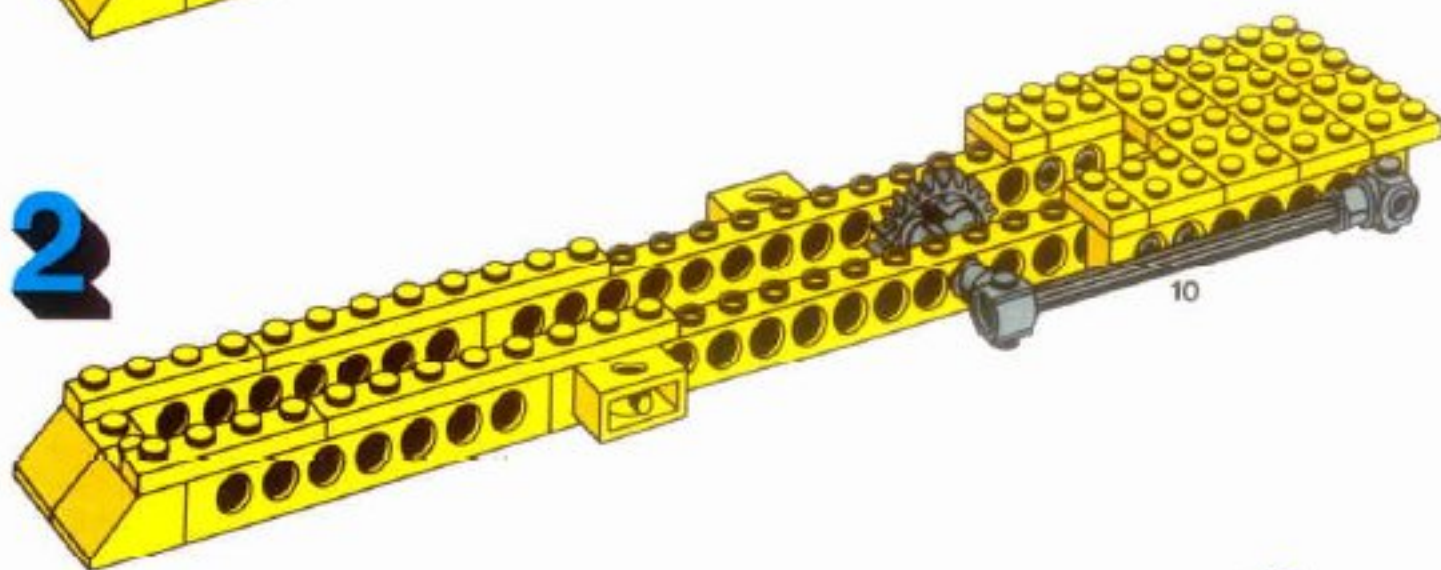
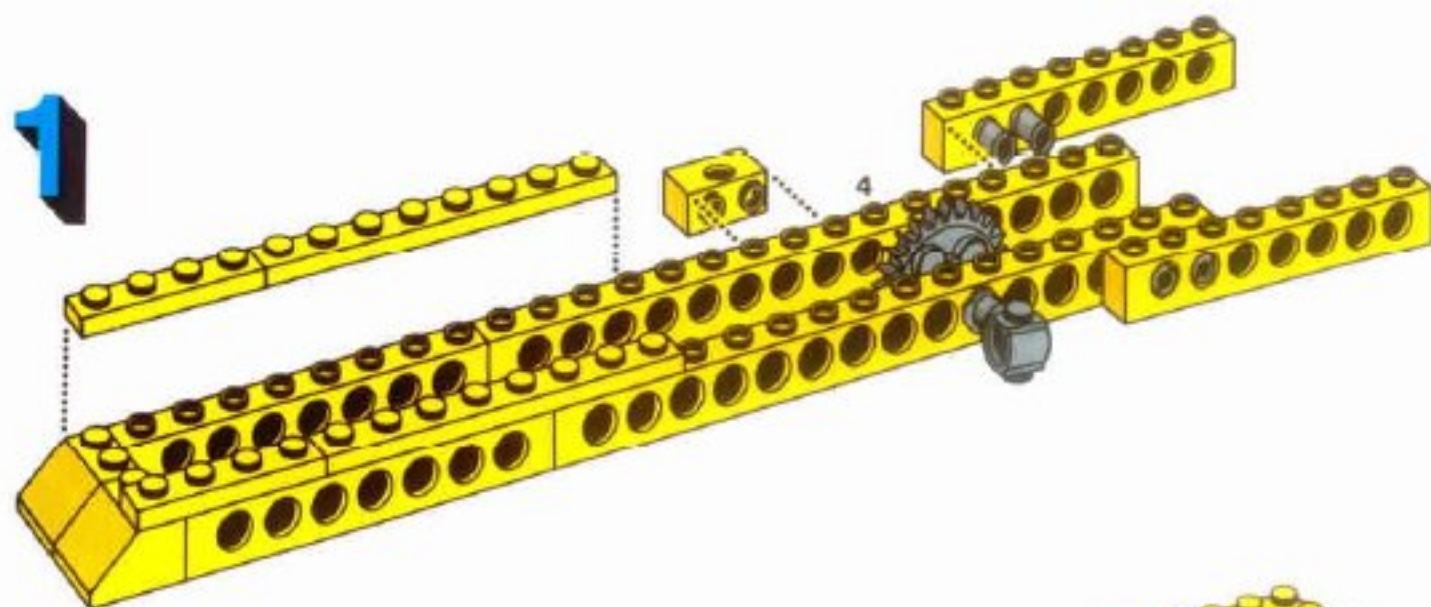
-  2 pcs
-  2 pcs
-  2 pcs
-  7 pcs
-  2 pcs
-  1 pcs
-  2 pcs
-  6

12

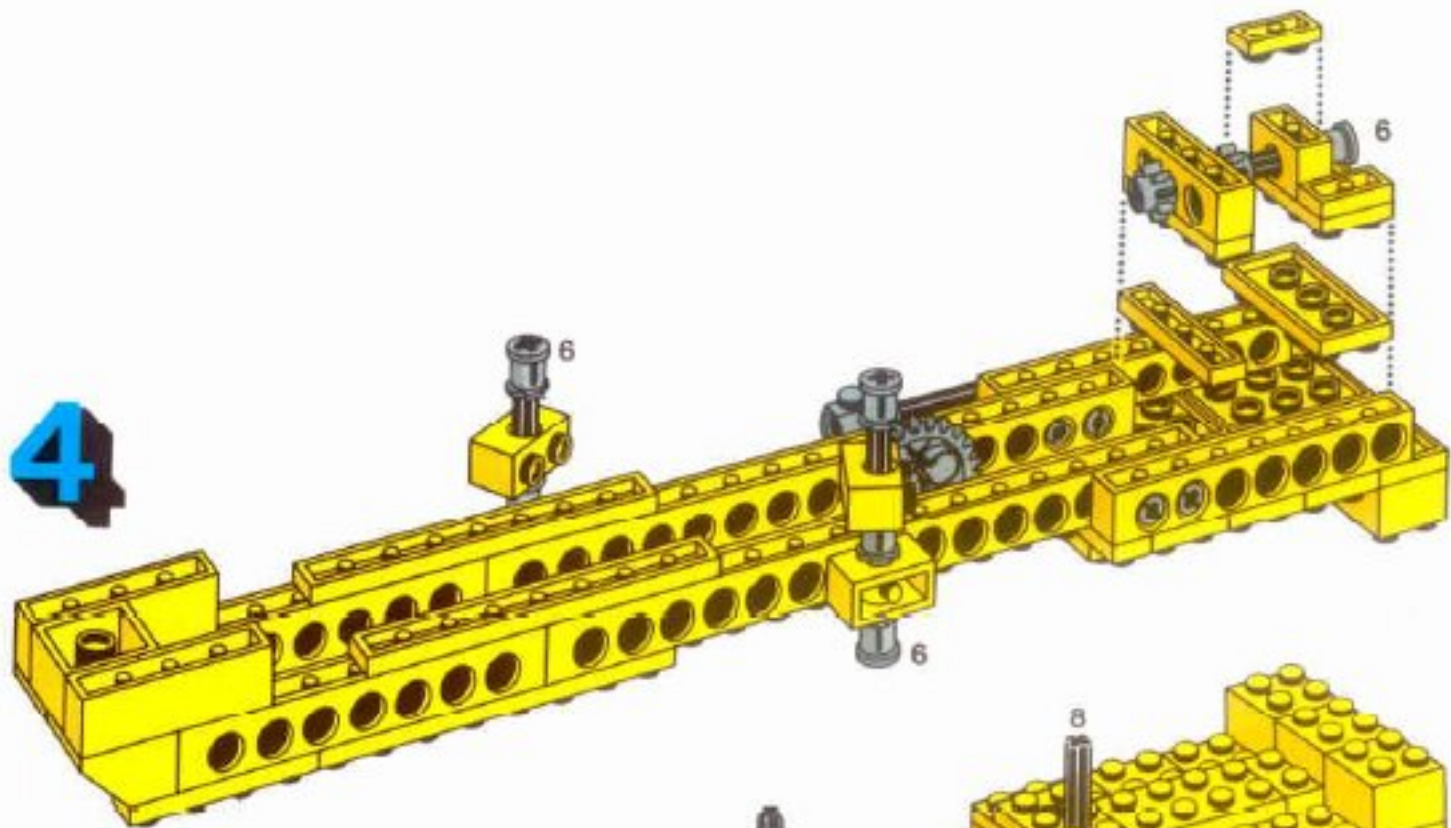


13

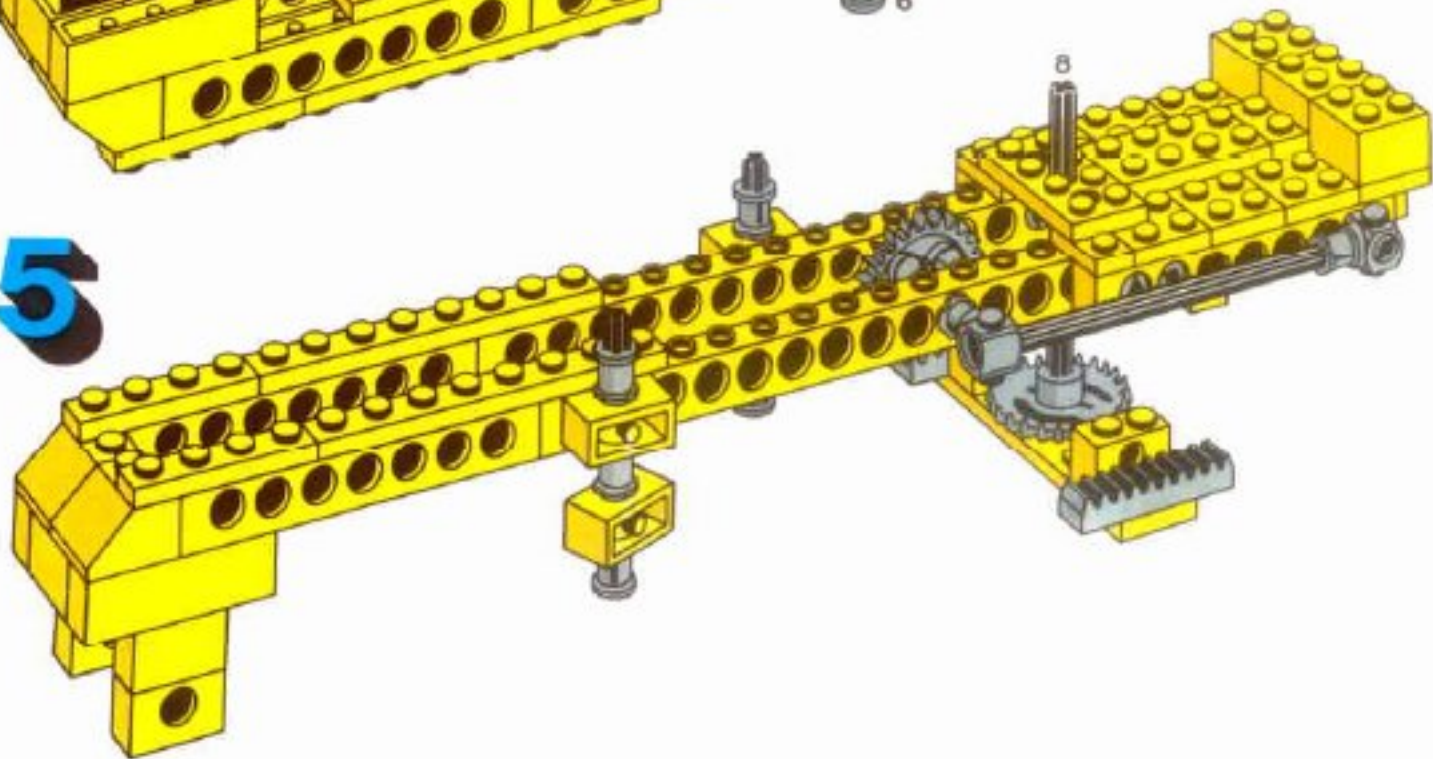




4



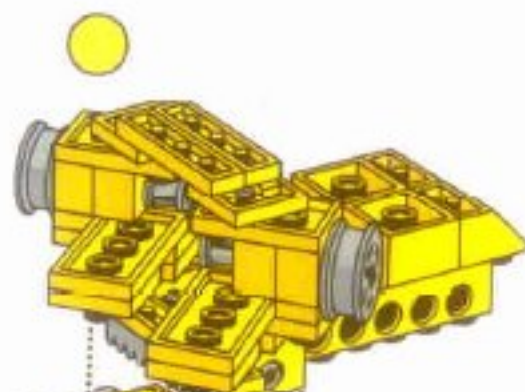
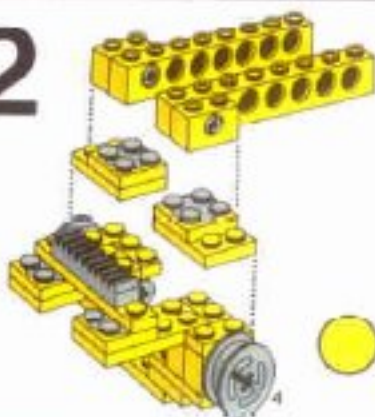
5



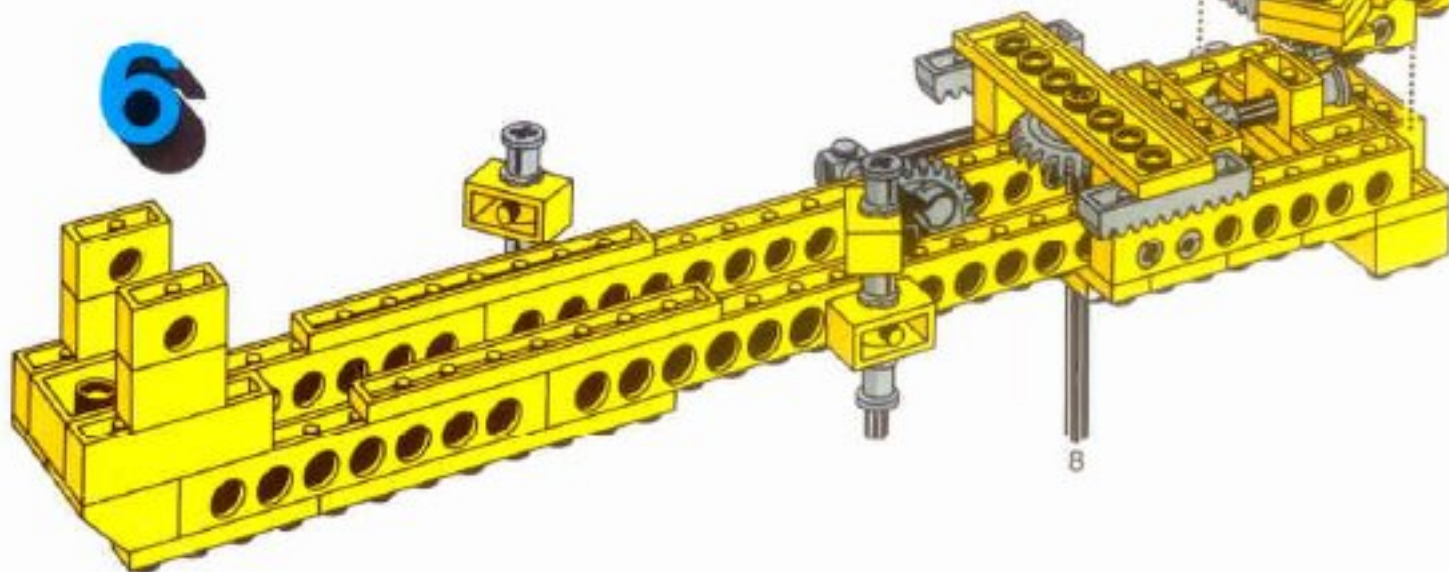
1

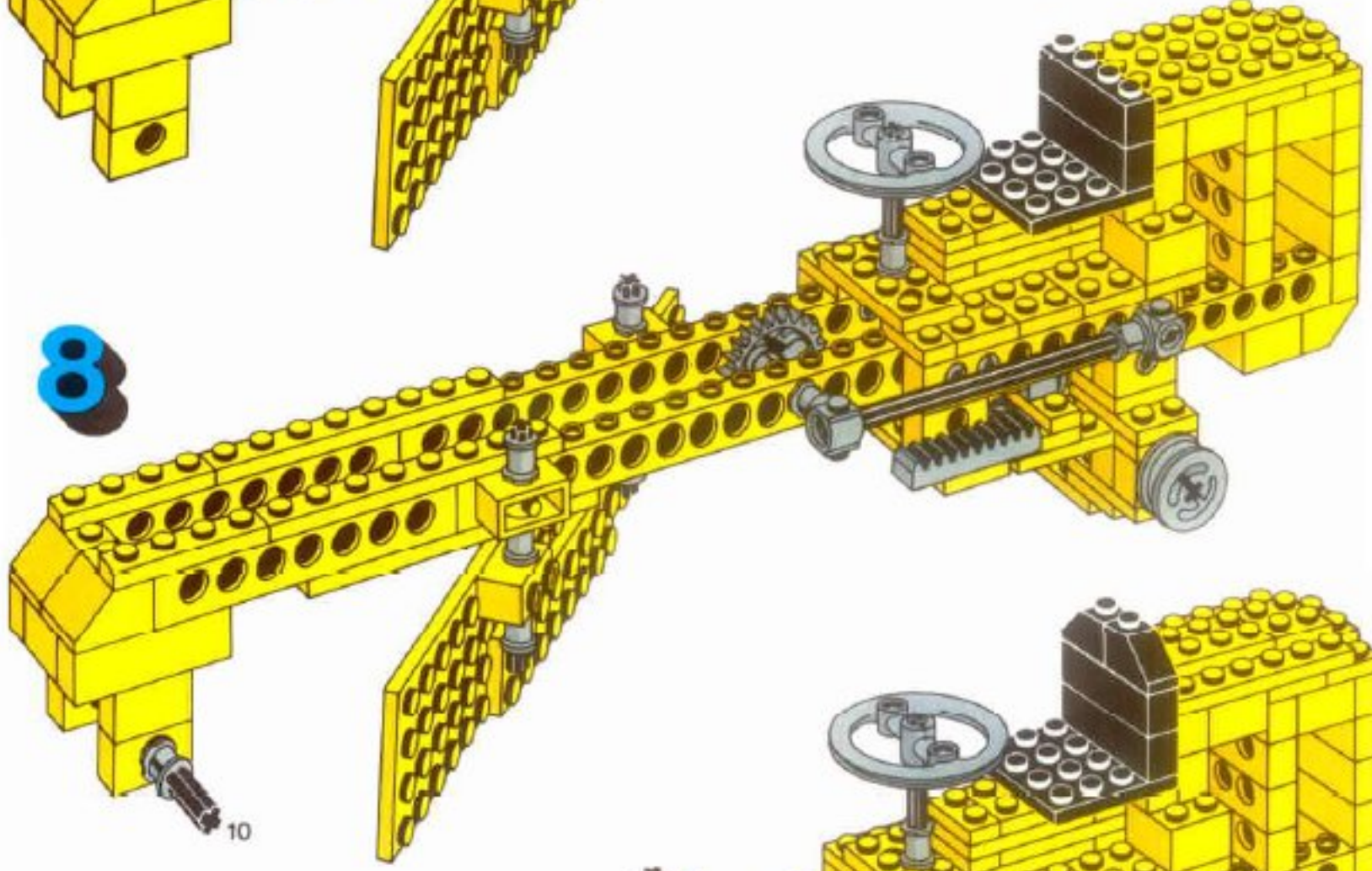
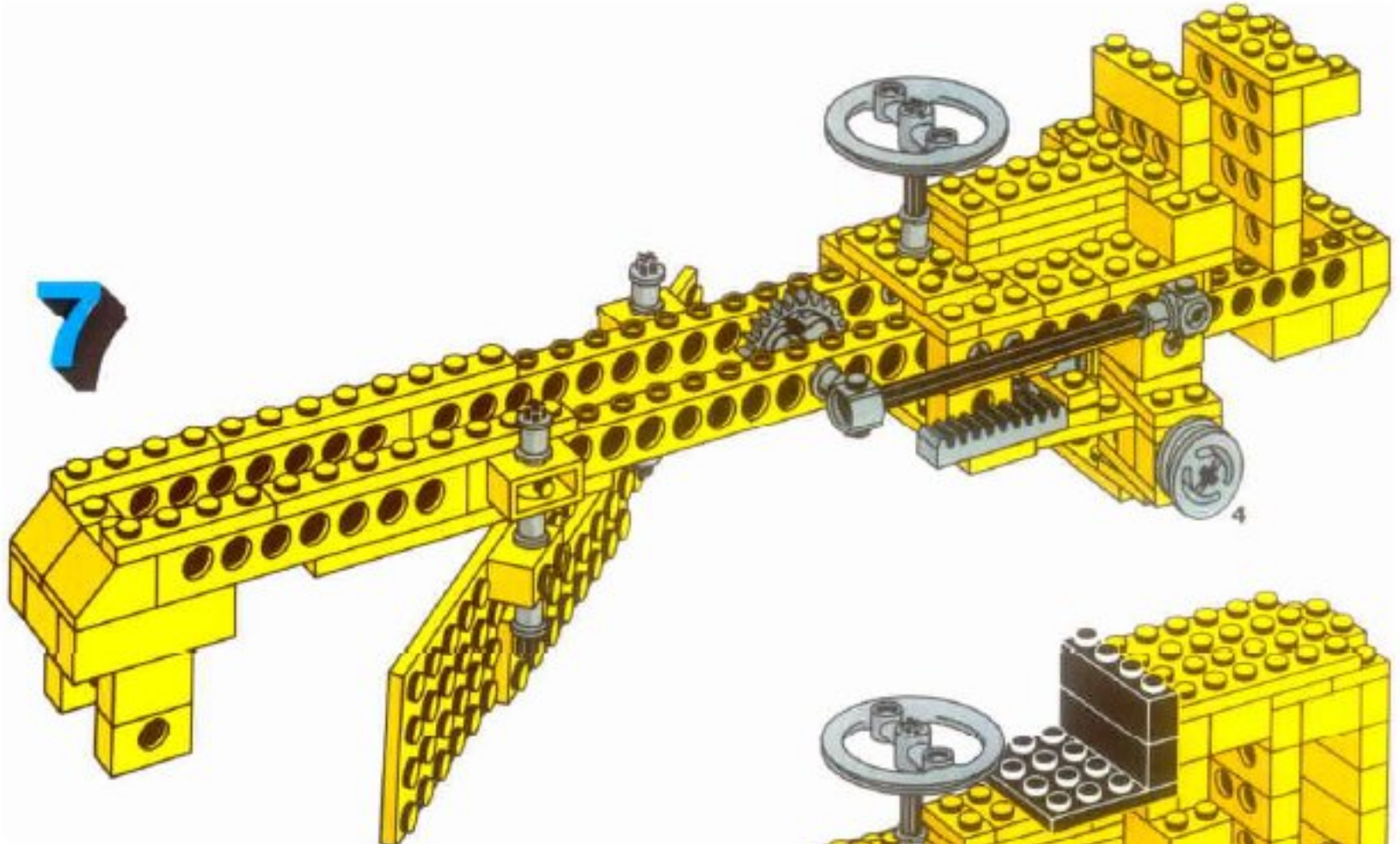


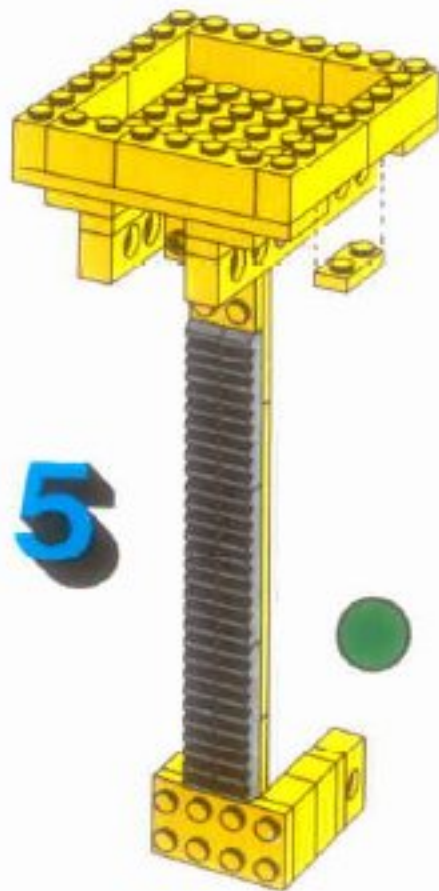
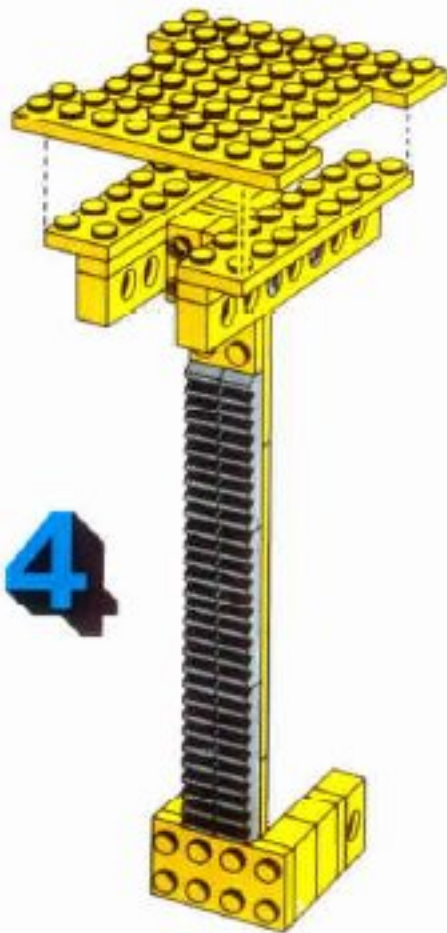
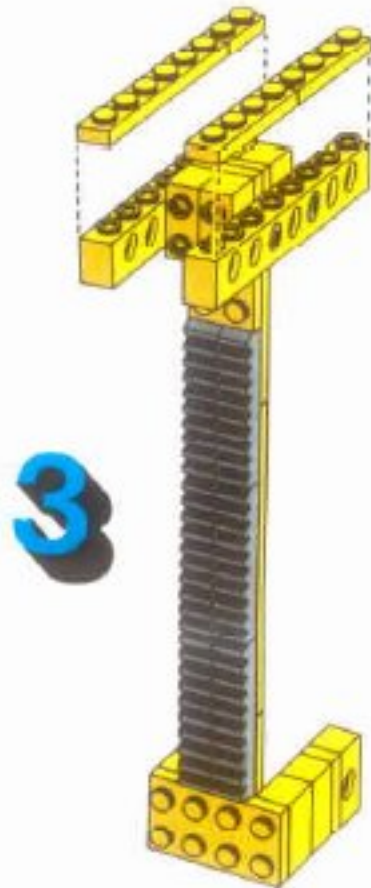
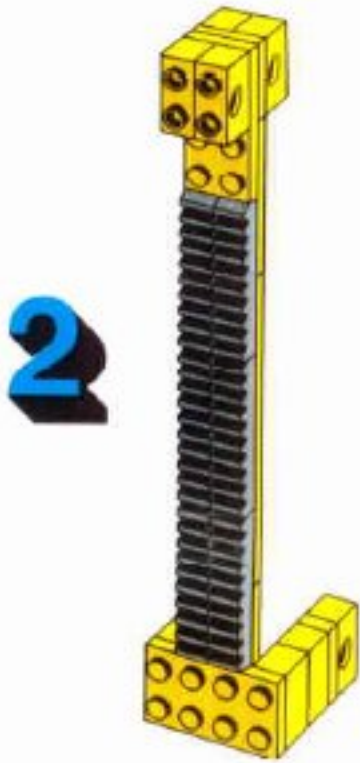
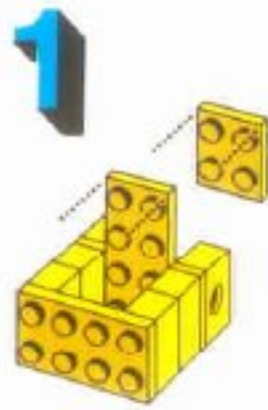
2

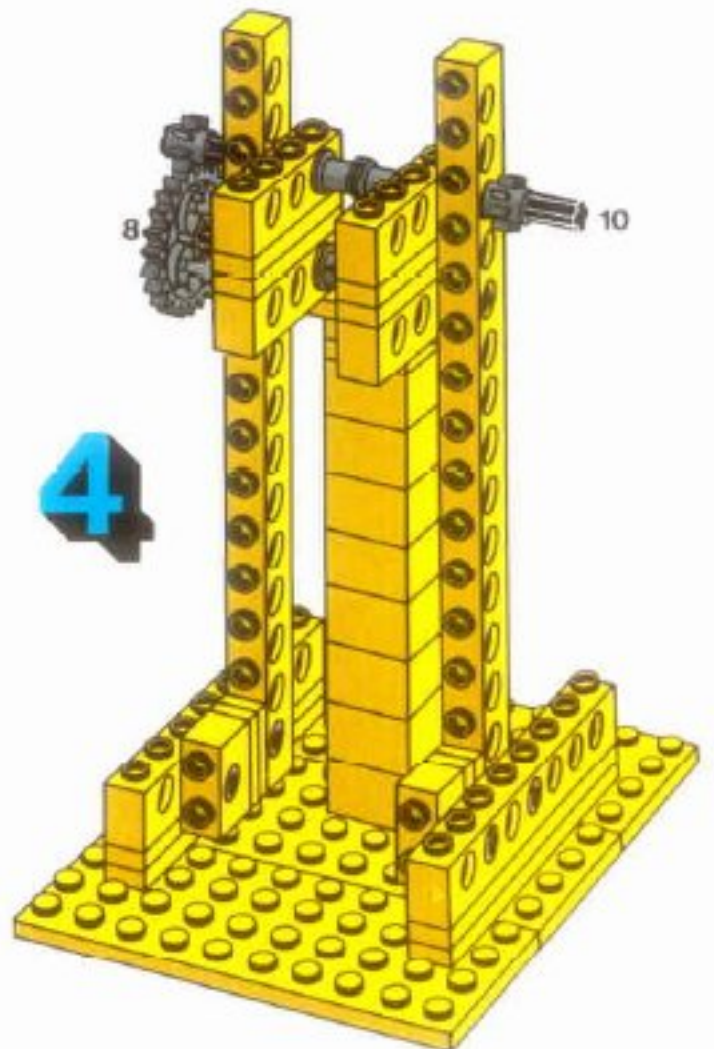
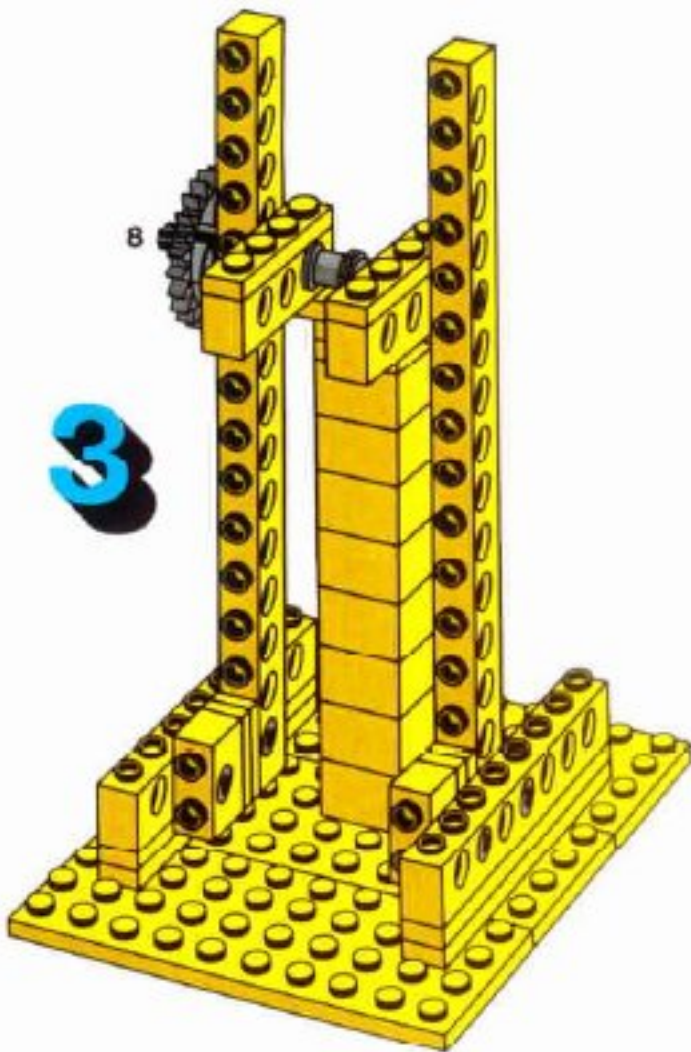
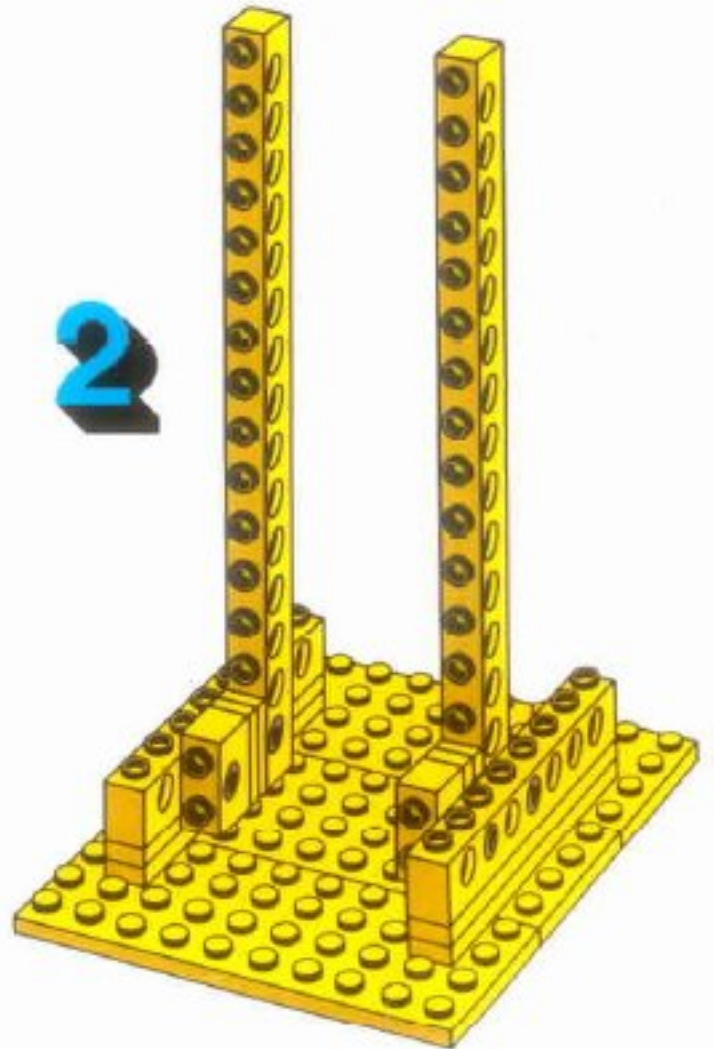
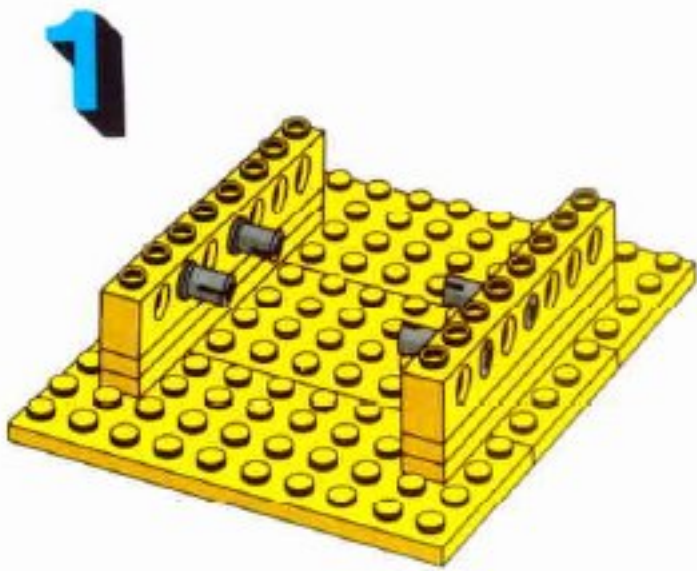


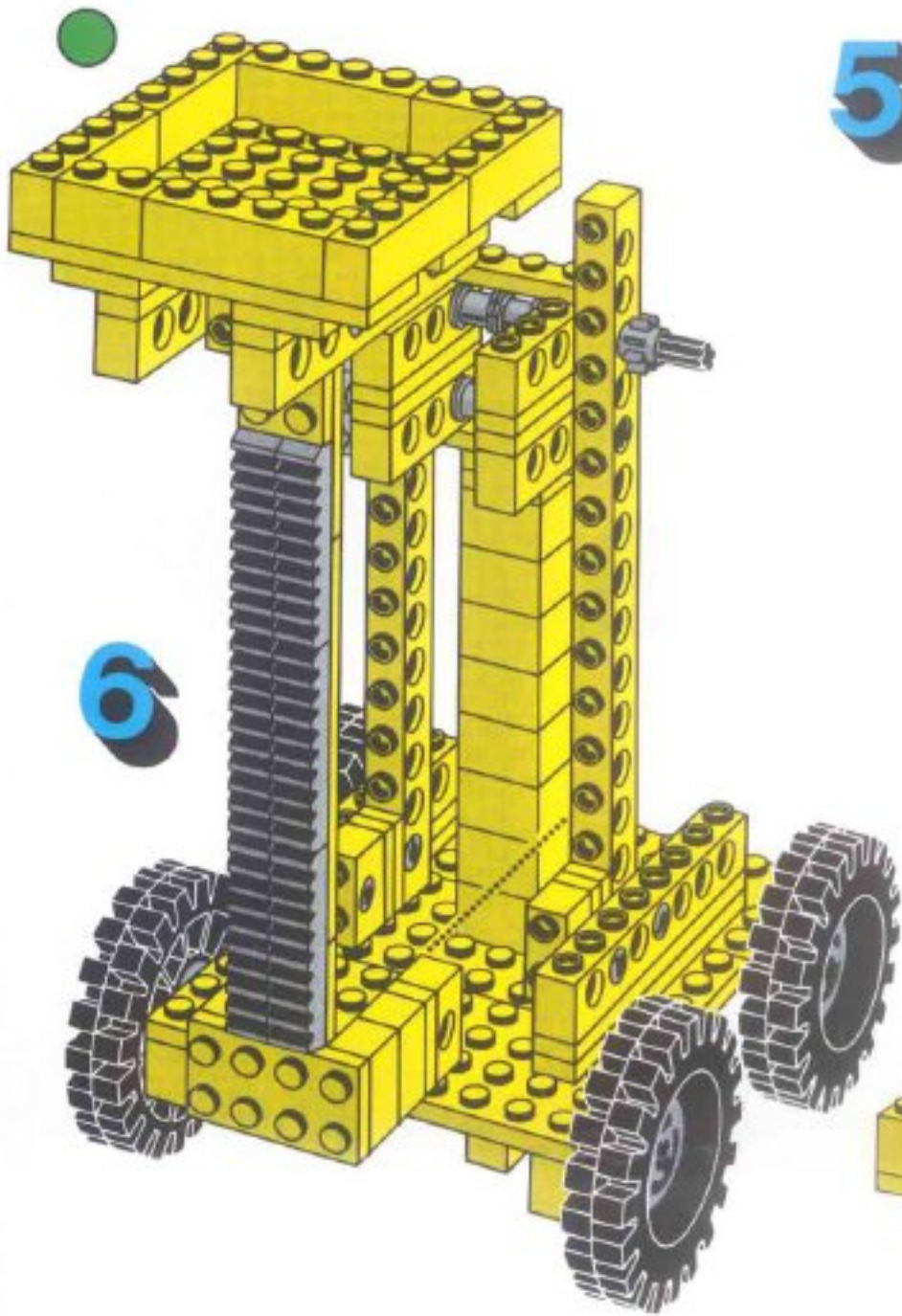
6



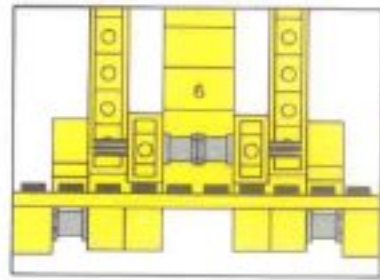
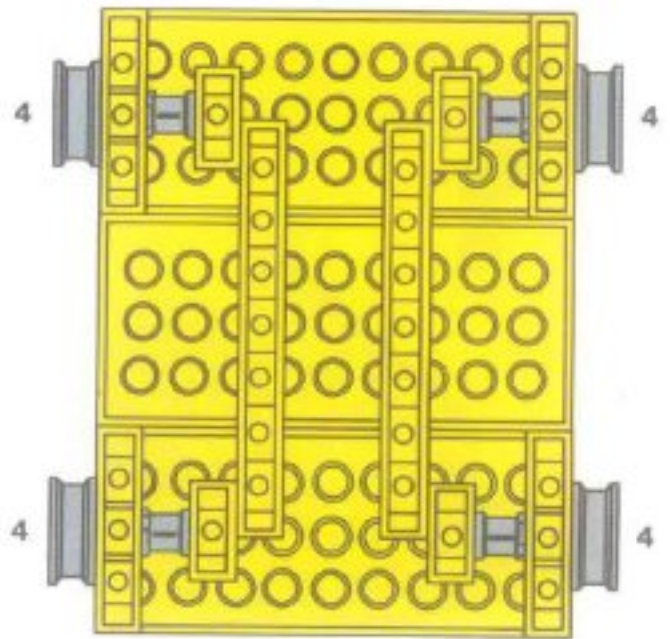




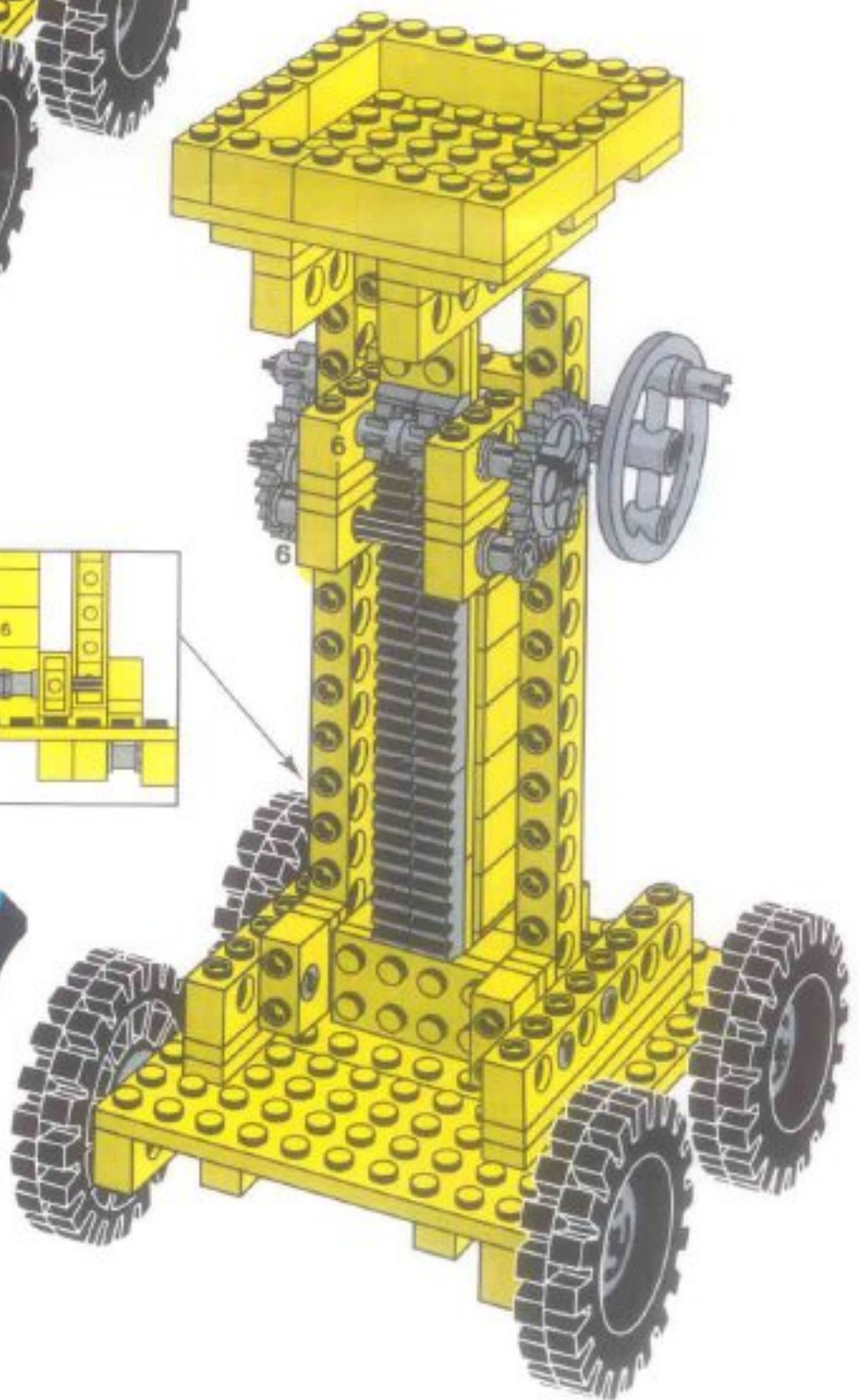




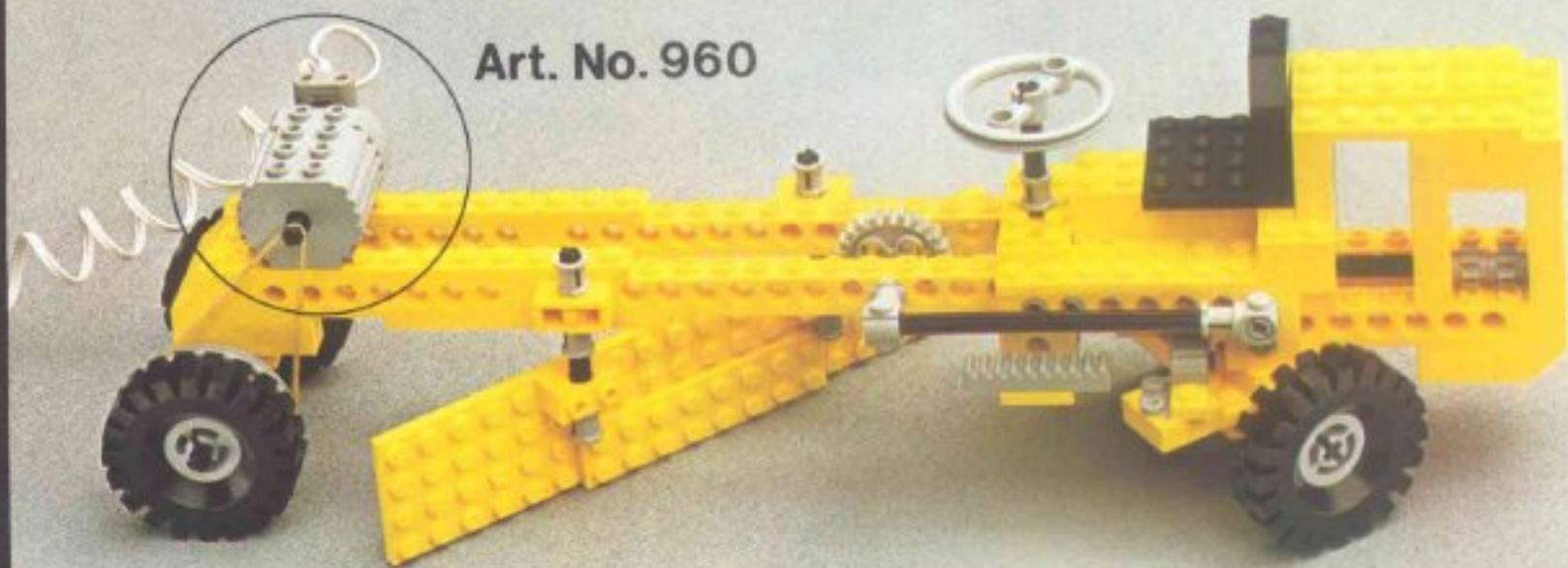
5



7

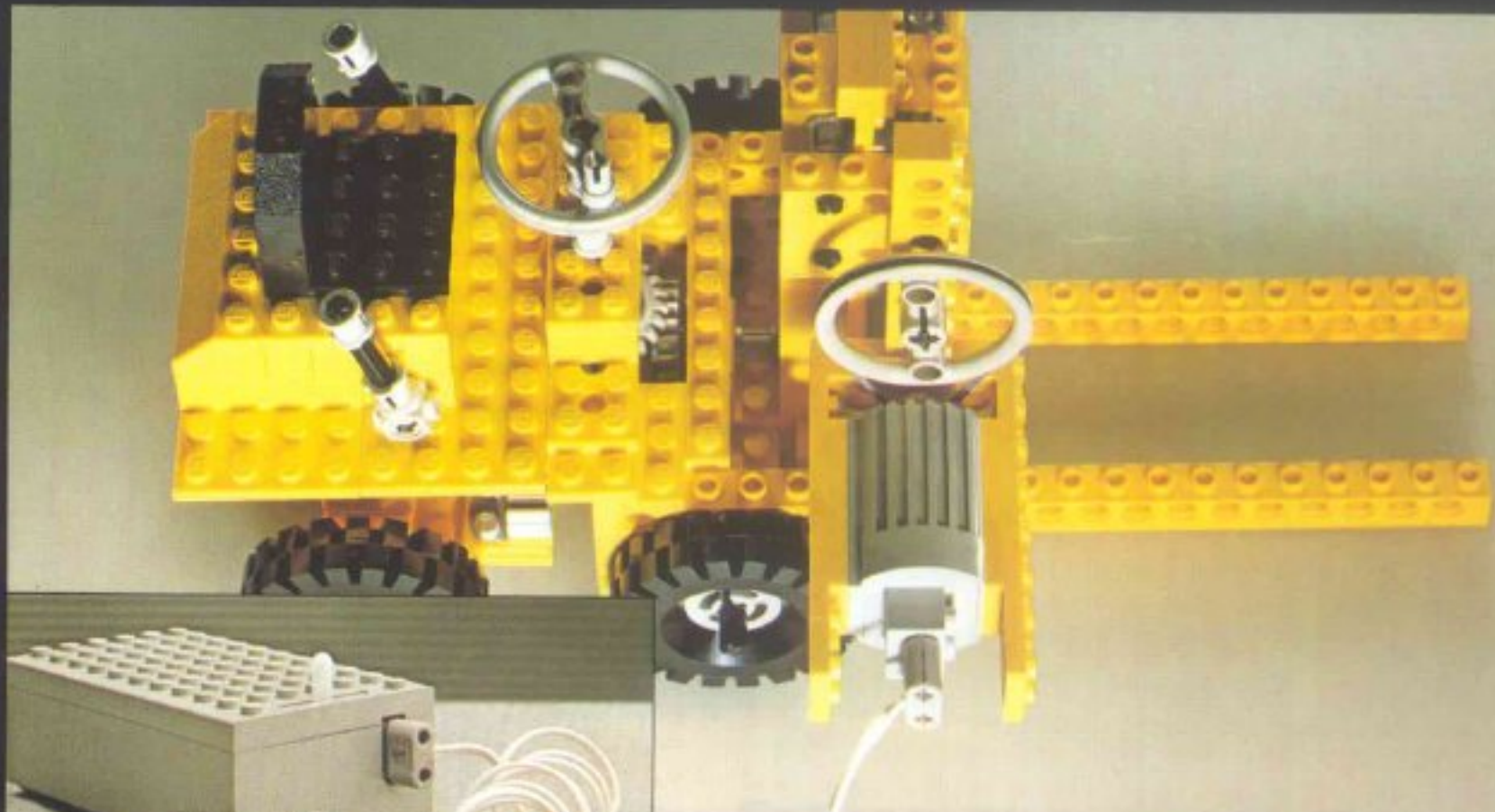


Art. No. 960



Art. No. 960

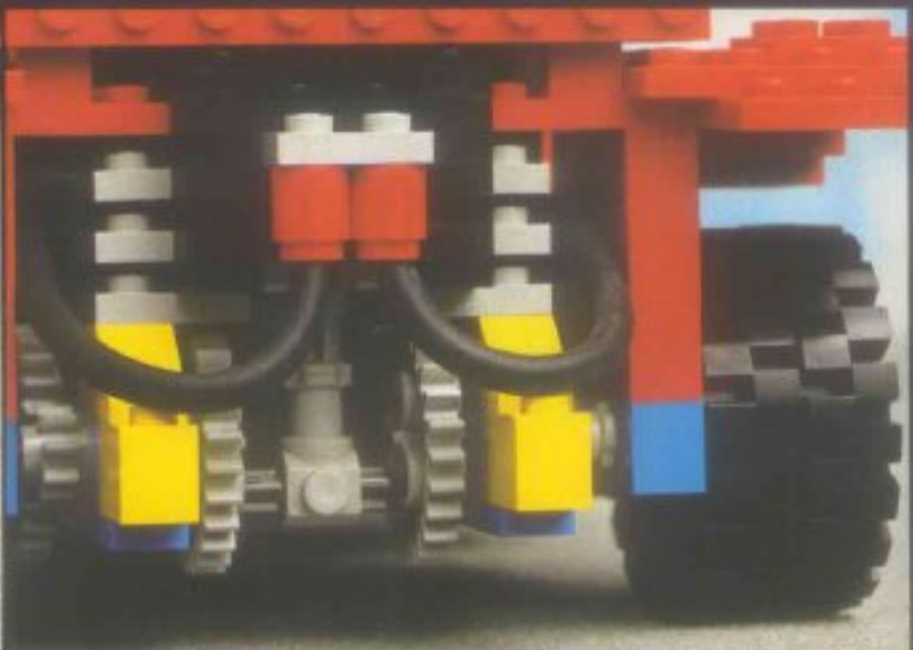
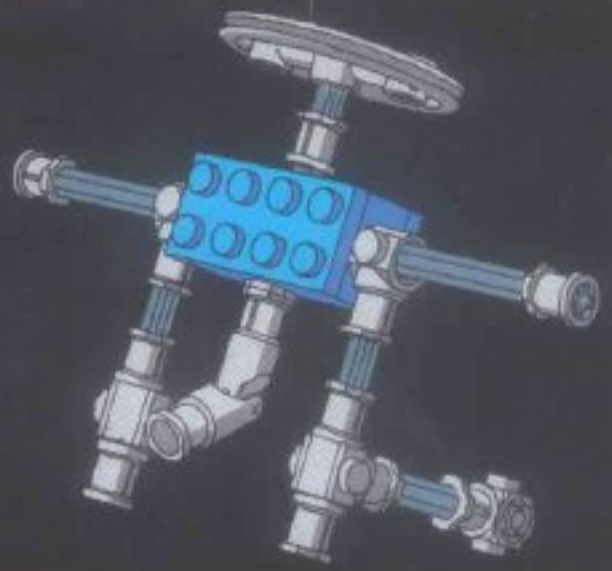
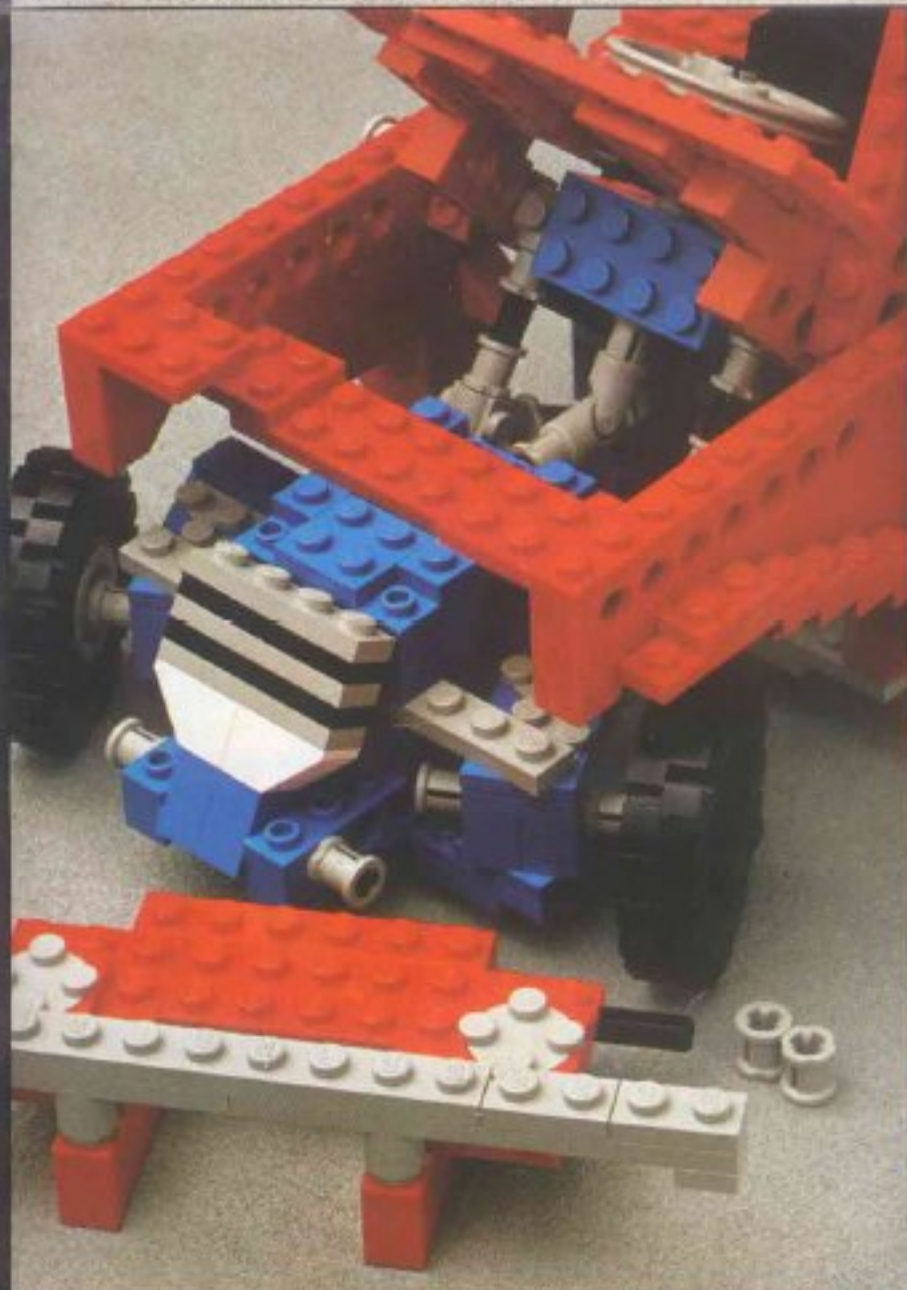
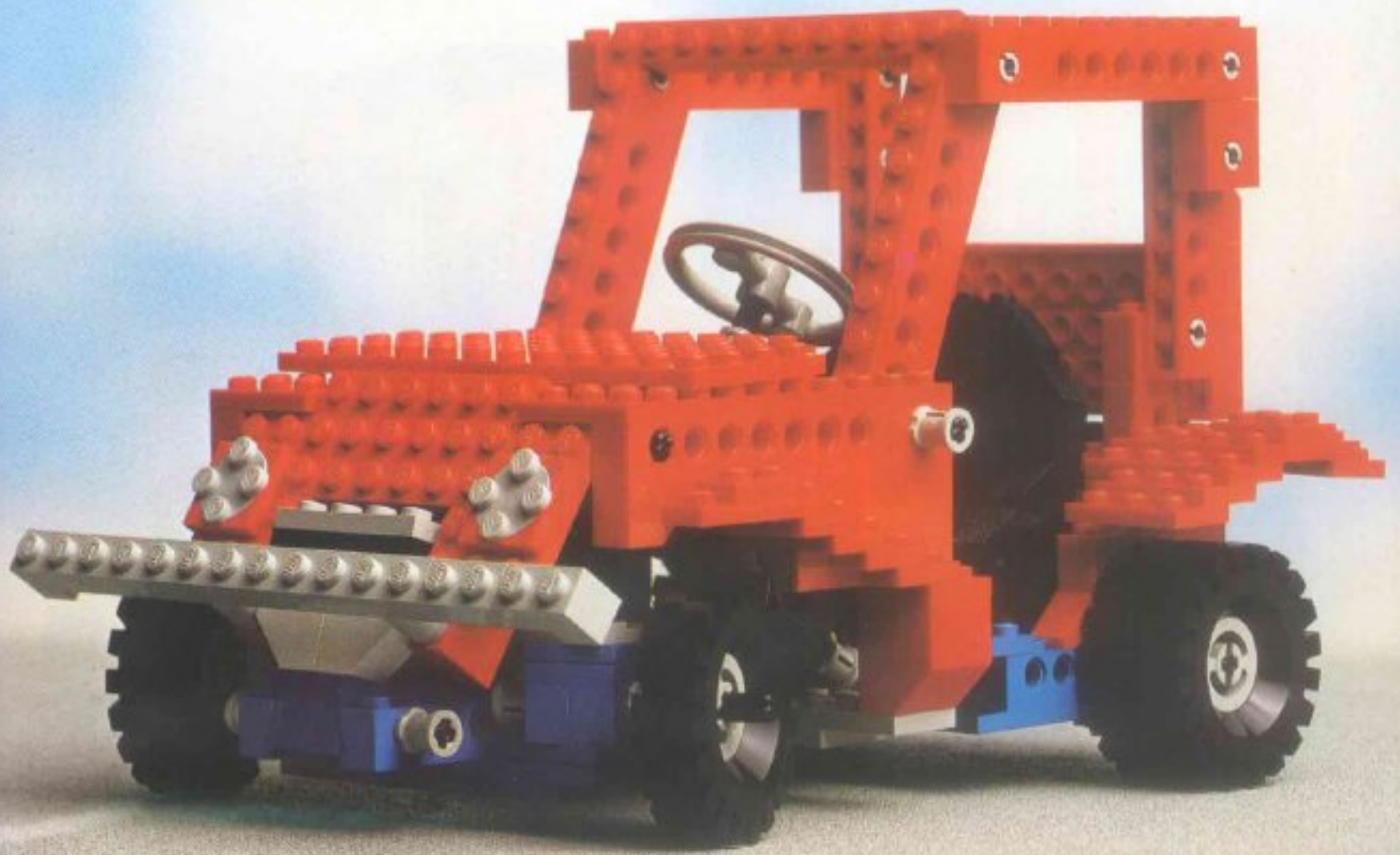


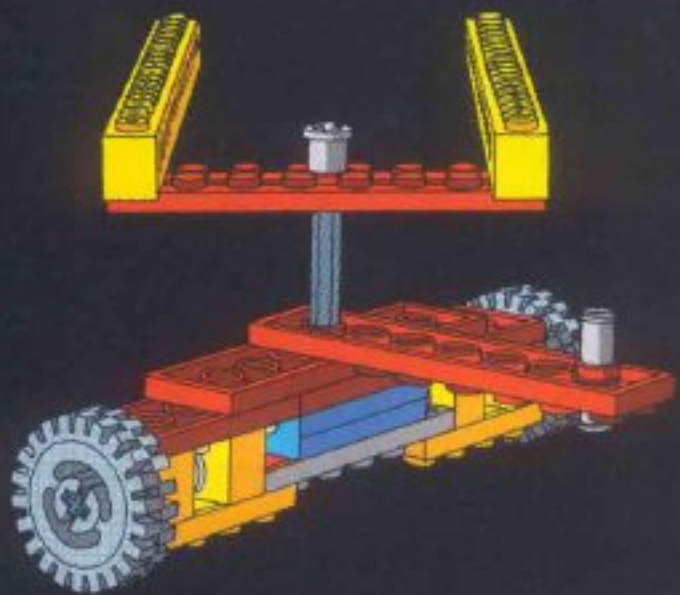
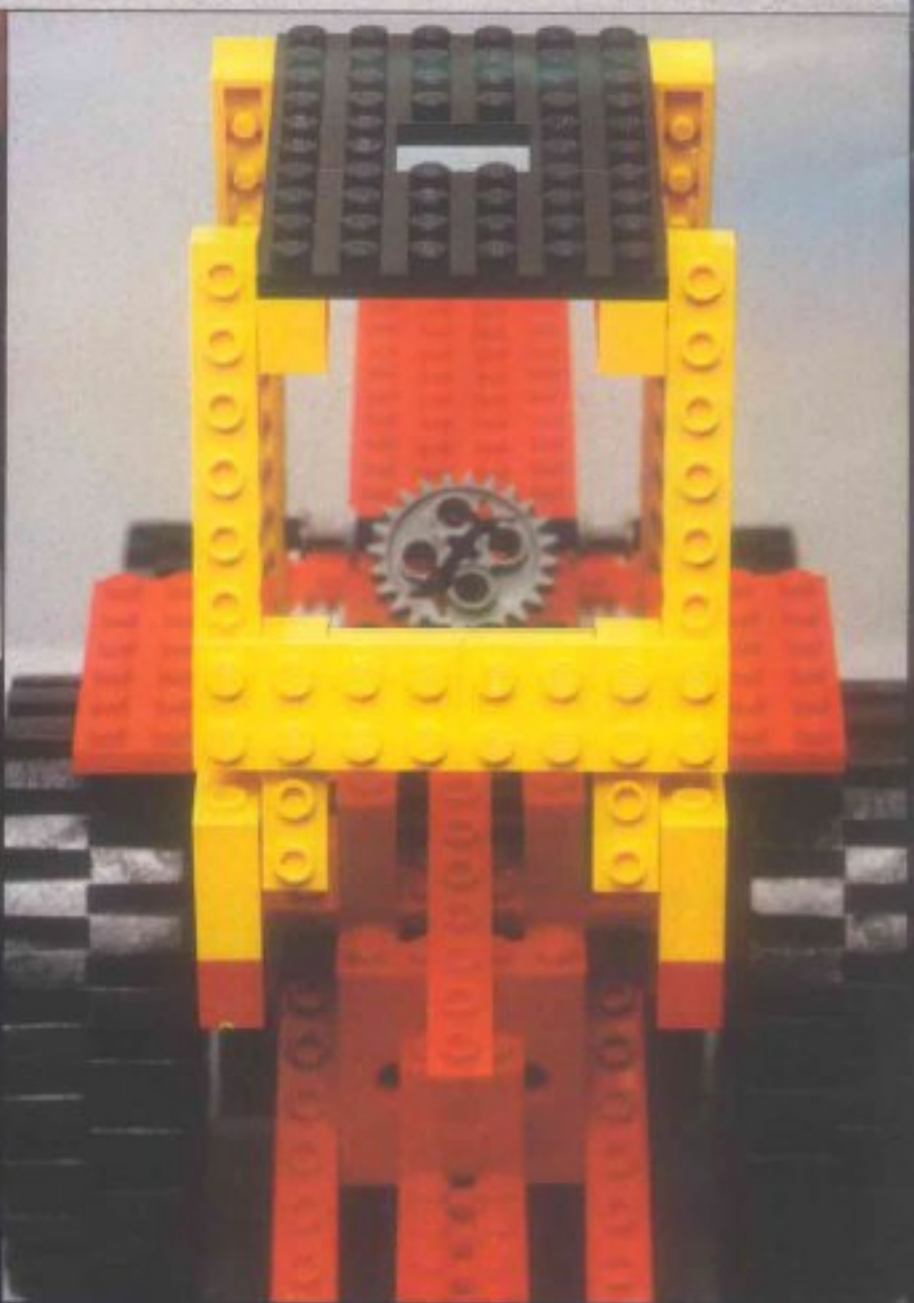


Art. No. 960

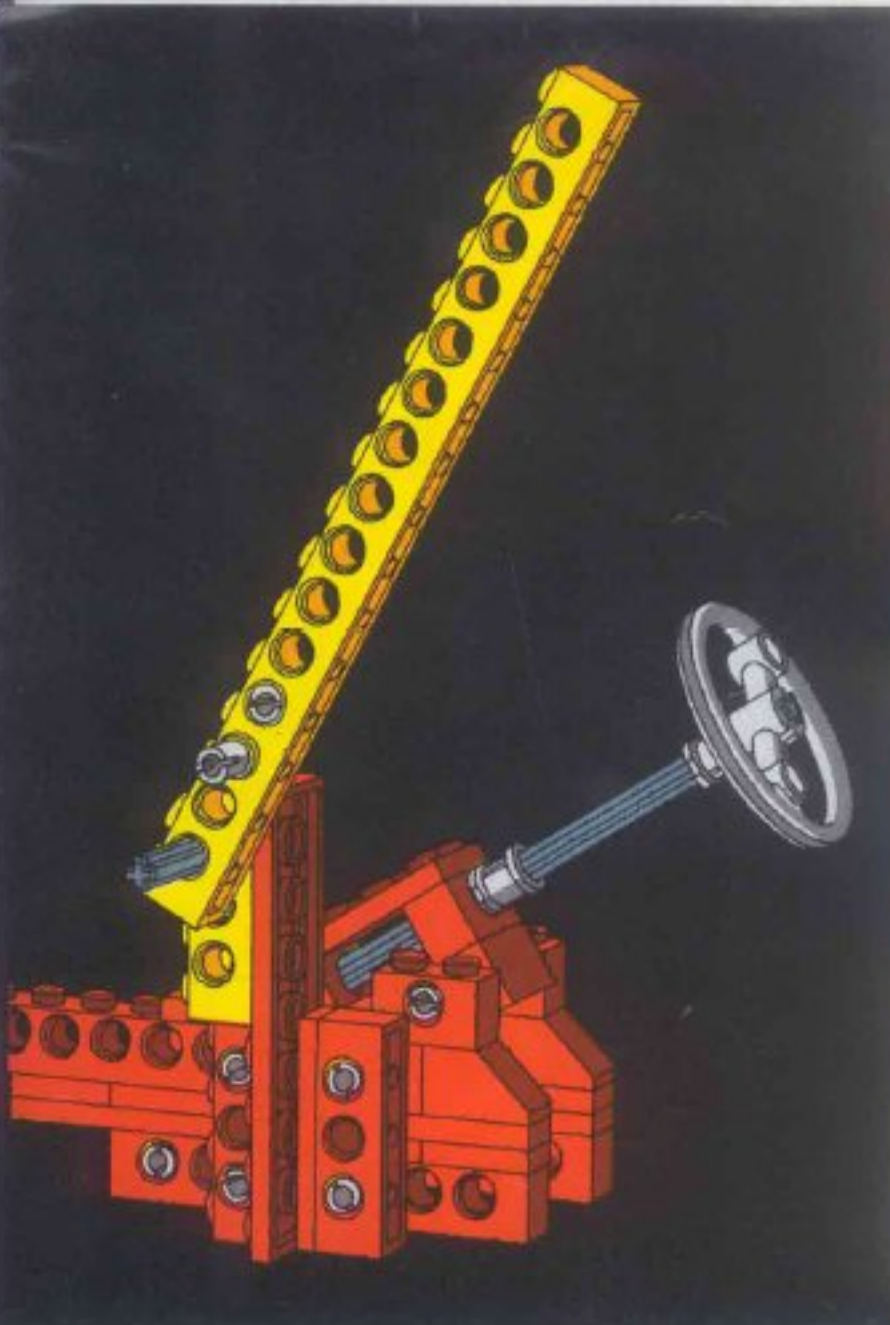


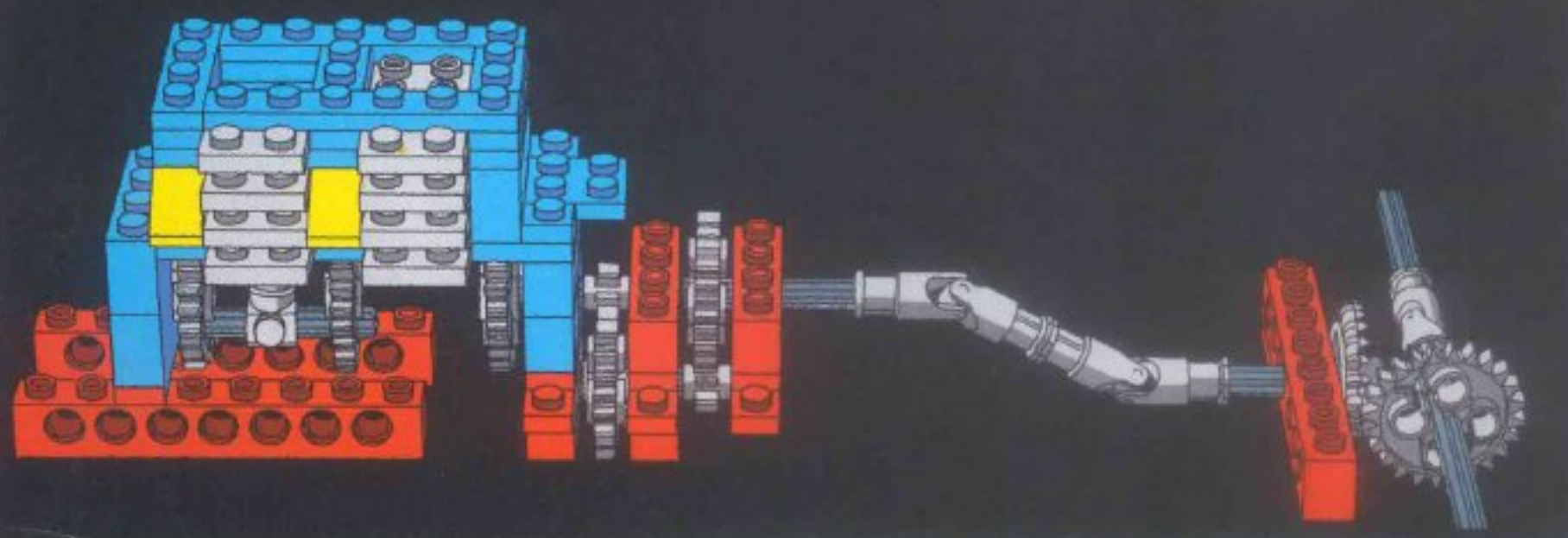
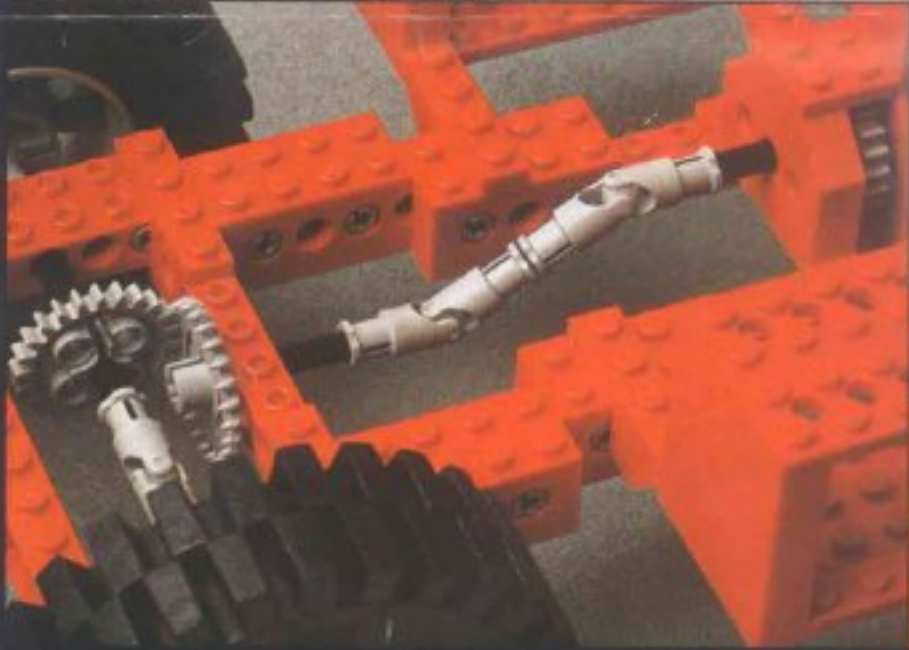
948+952

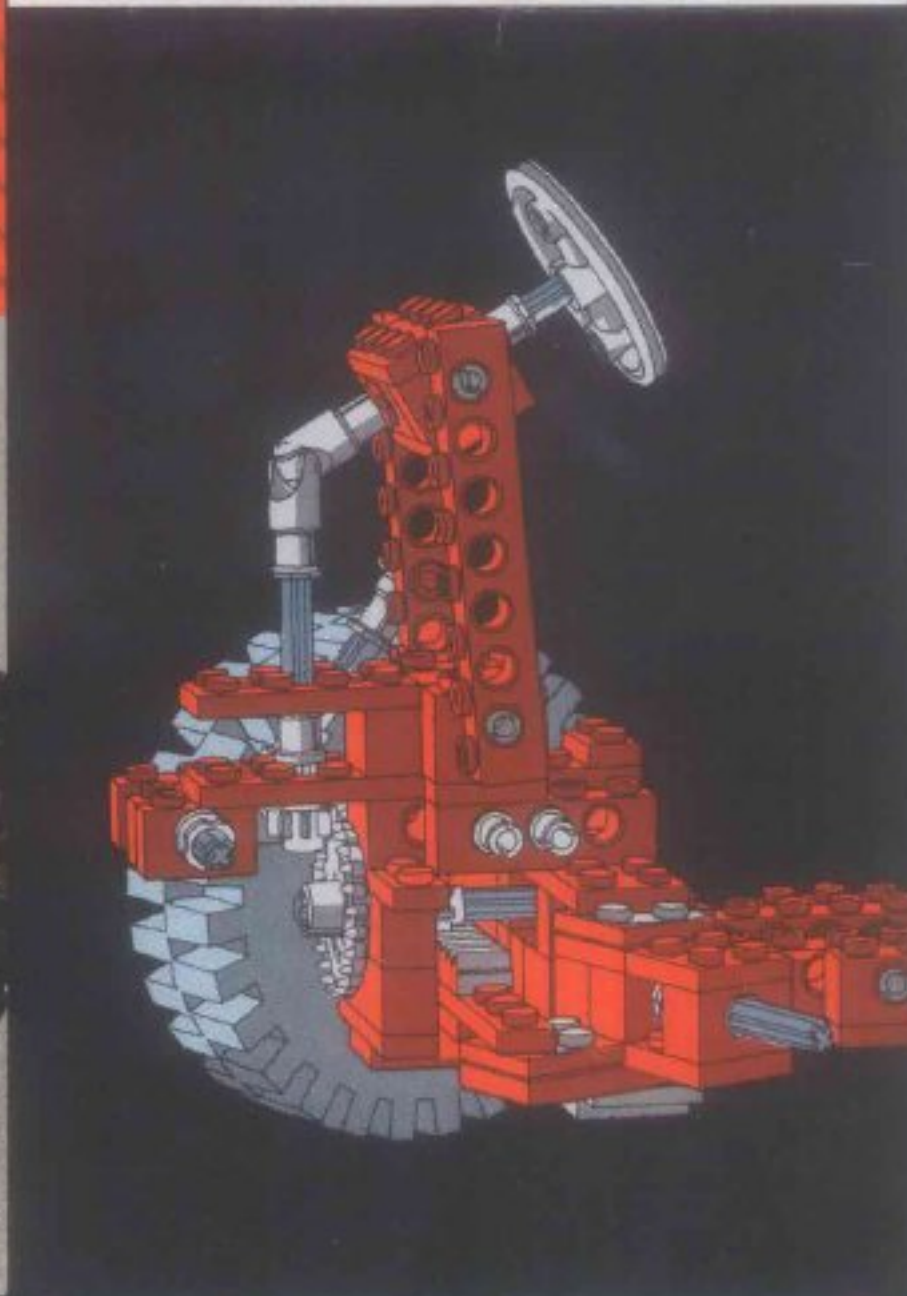
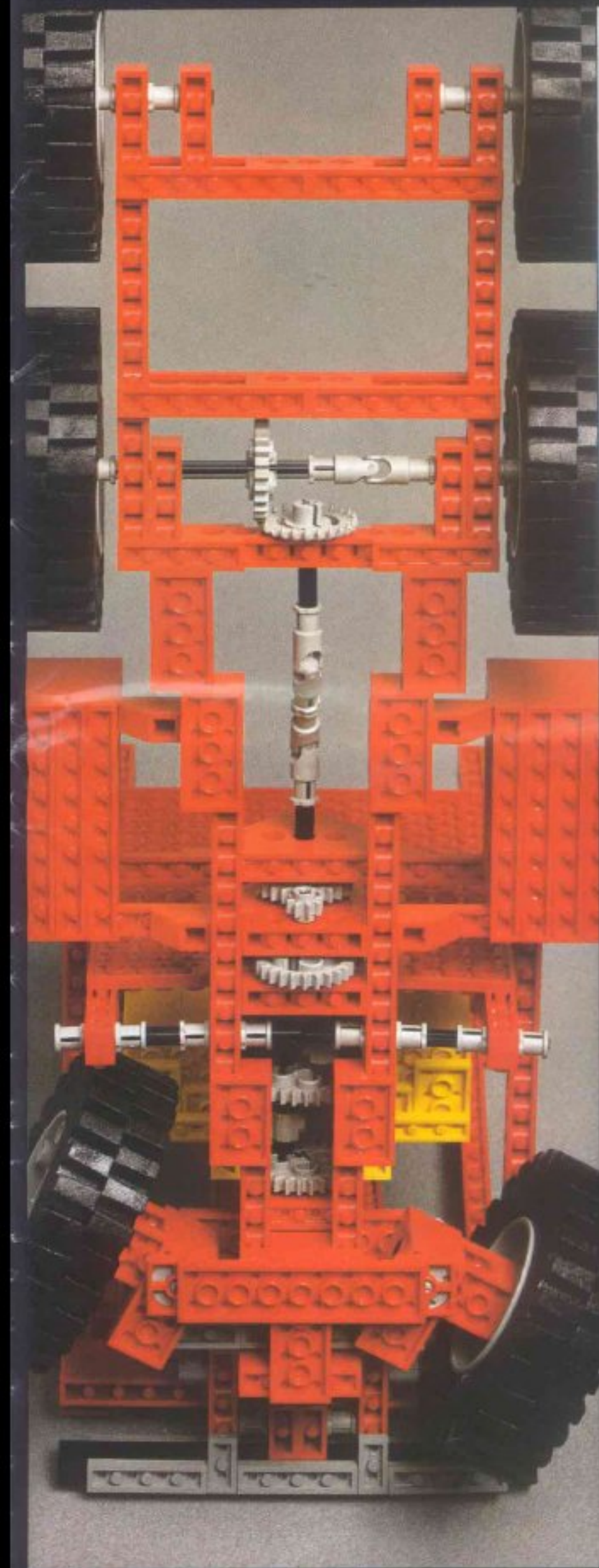


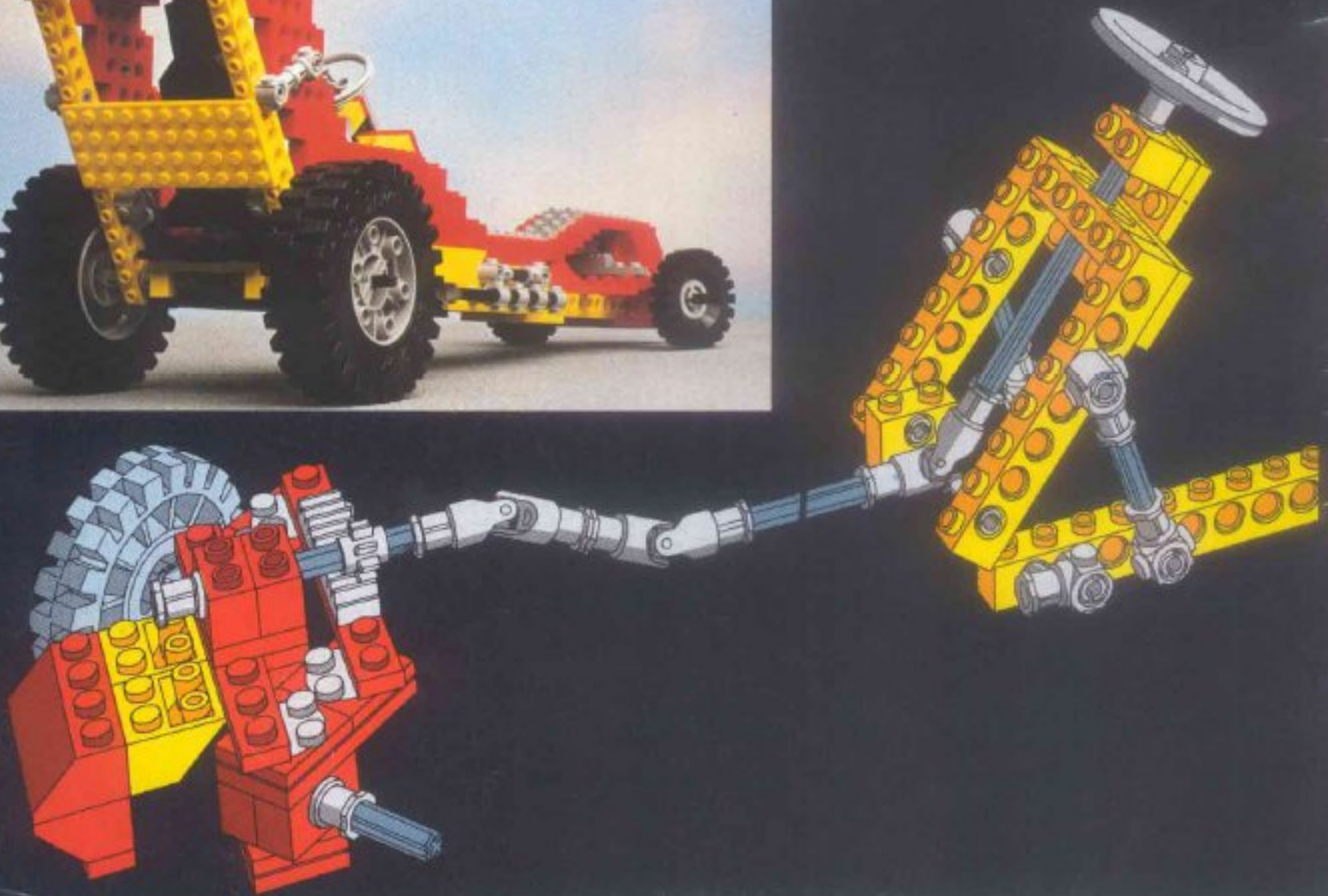


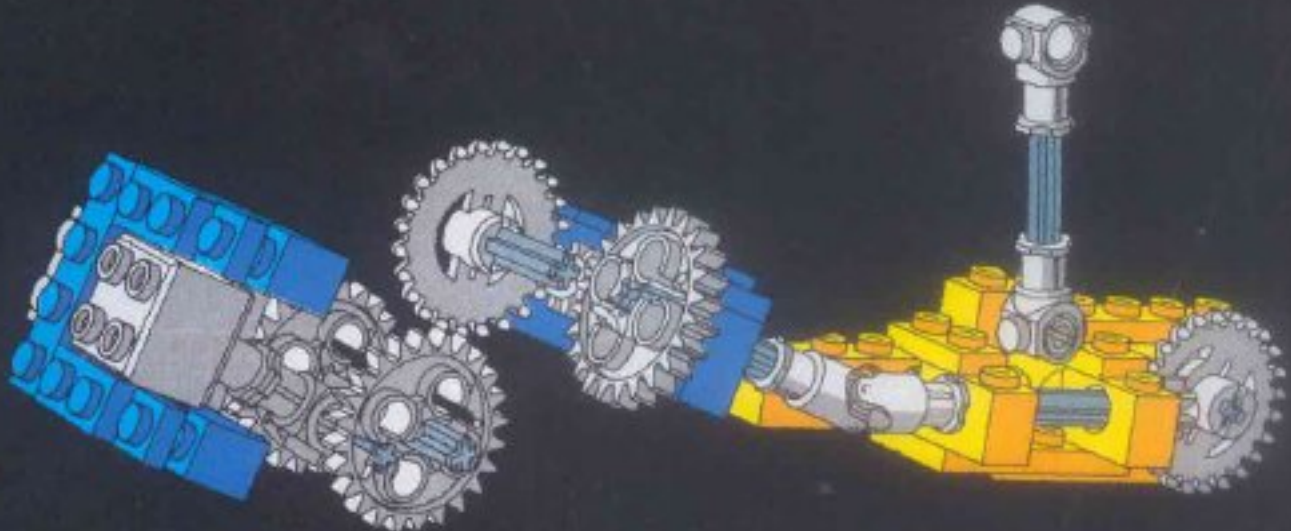
956 + 954 + 961

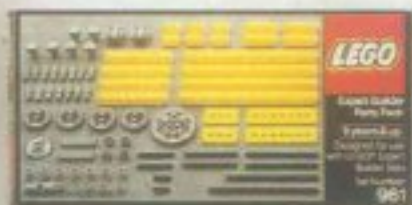
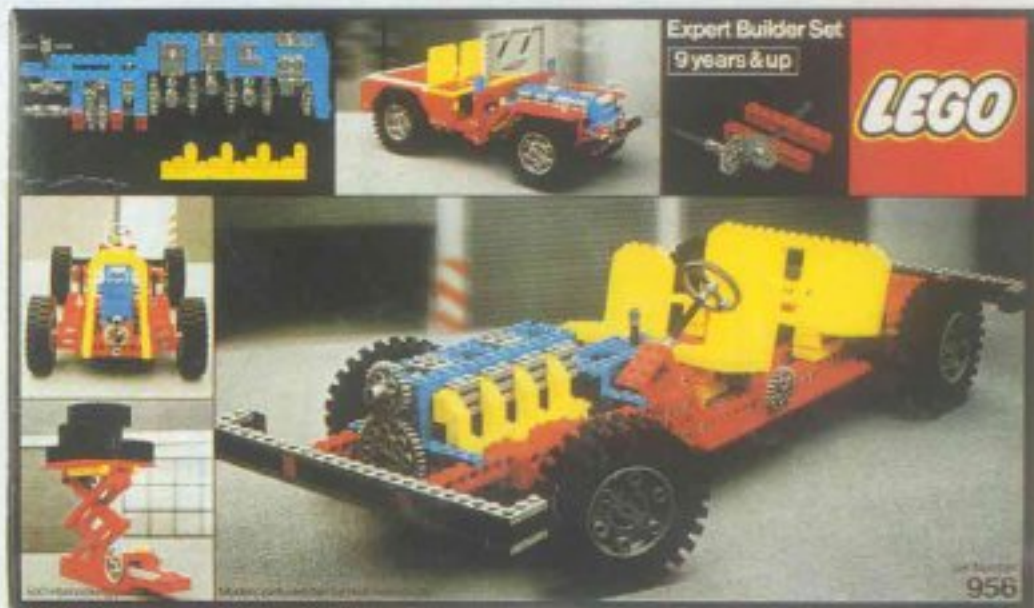






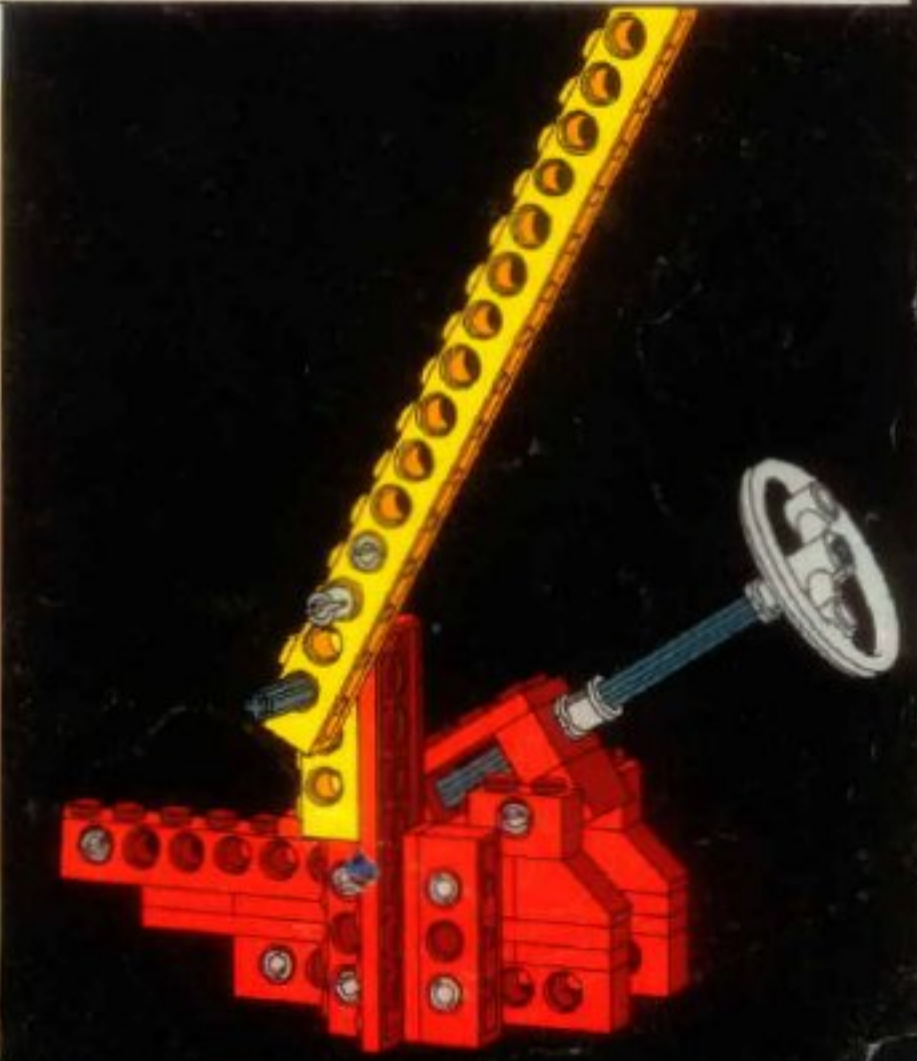








LEGO



Congratulations, Expert!

Welcome to the new LEGO® Expert Builder Series.

Remember when you first started building with LEGO Brand Building Bricks? You learned how to build backwards and forwards, to build bigger and more complicated constructions, using your own rich imagination to create new designs. Now you've graduated, and we want to reward your interest and hours of hard work with a new series of building sets so detailed, so fascinating, so challenging - only a LEGO expert like you is ready to tackle them.

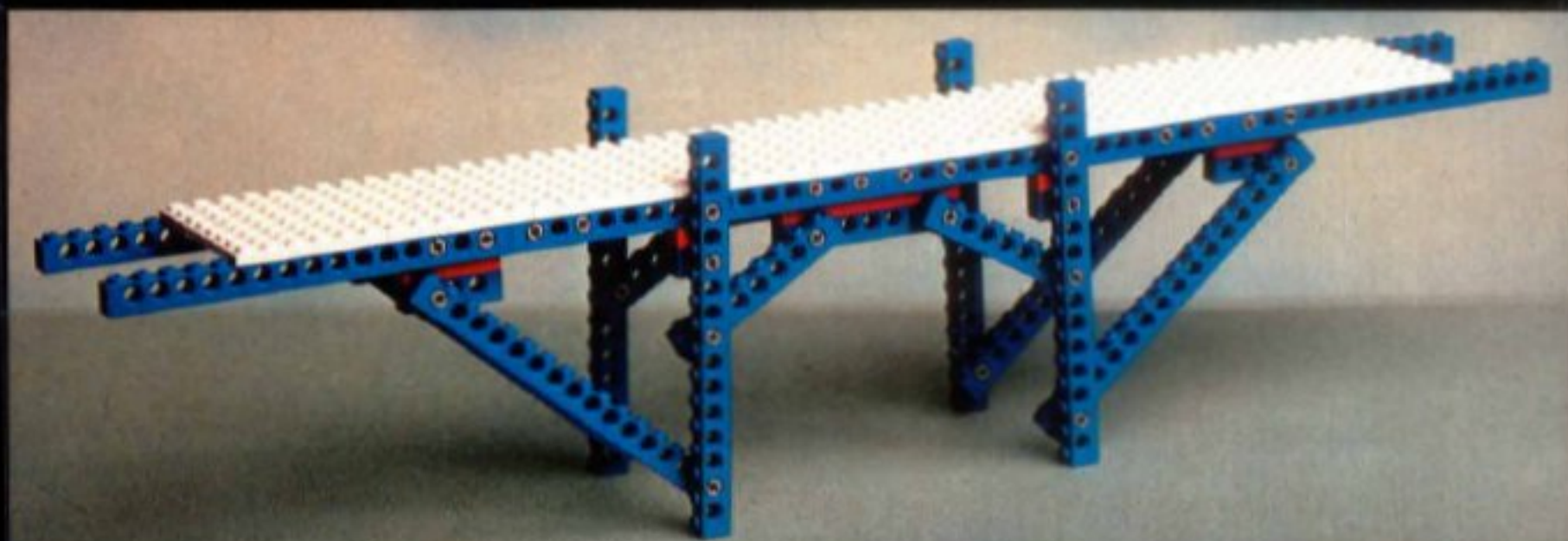
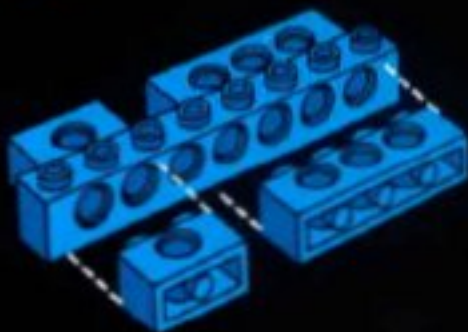
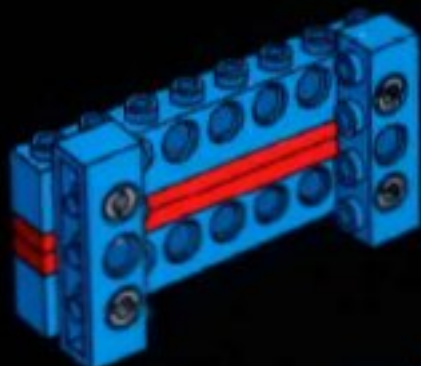
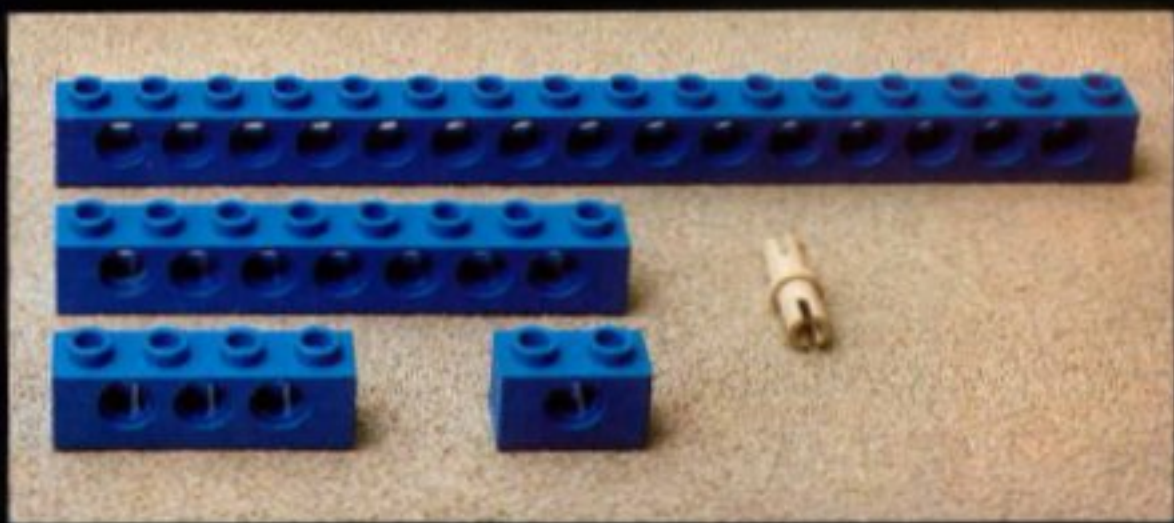
To prove that this new LEGO product isn't kidstuff - take a look at what's available in this set as well as the other sets in the series. Realistic elements such as pistons, gear wheels, universal joints and more will allow you to create exciting models that closely resemble the real world. With Expert Builder Sets, you can discover for yourself the operating principles of such things as car engines, steering mechanisms and helicopters. You'll find the building challenging but satisfying too!

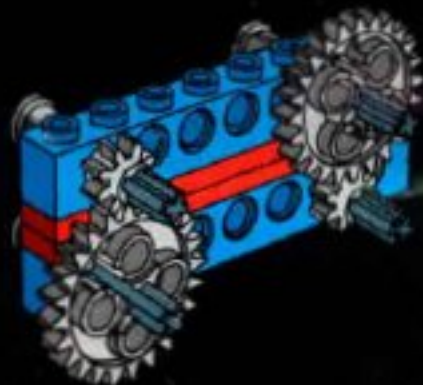
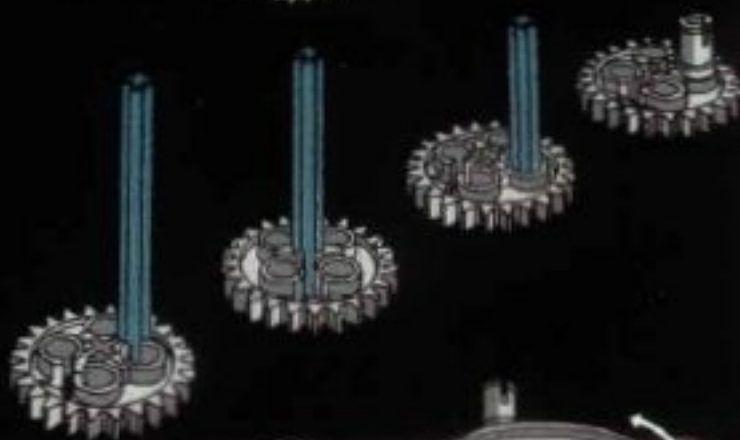
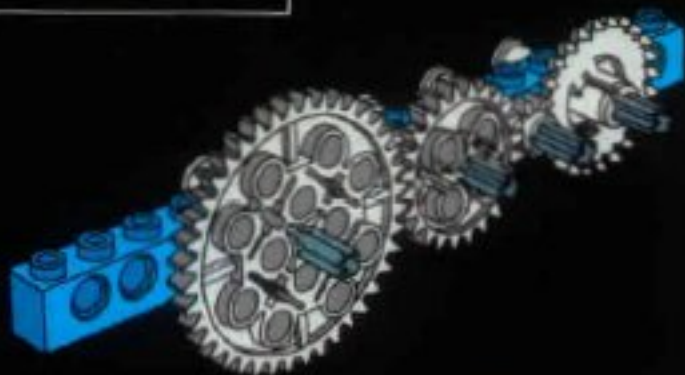
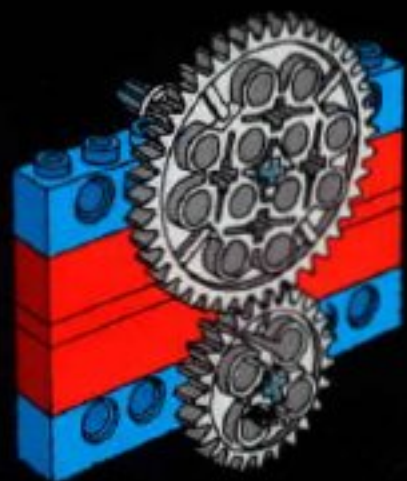
The Expert Builder Instruction Book.

The instructions in this book will allow you to build the main model featured as well as other Expert Builder alternatives.

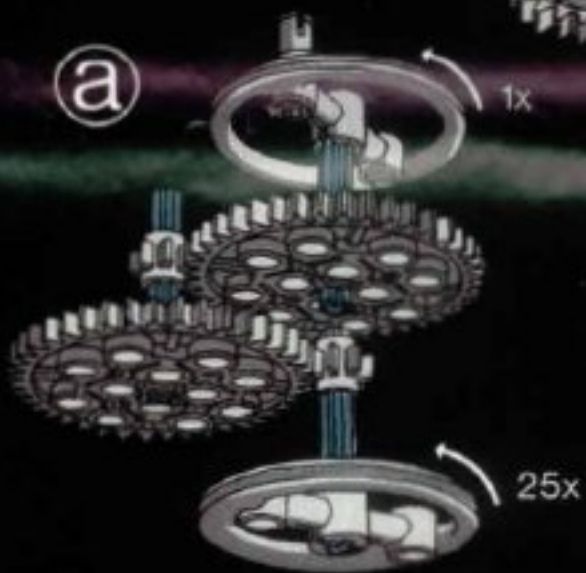
The first portion of this book shows how the special pieces contained in this set and other Expert Builder Sets work together to demonstrate basic principles such as gear ratios and steering mechanisms. The middle portion provides you with detailed instructions for the main and alternative models. This is followed by illustrations and photographs of other models which can be built using a combination of elements from this and other Expert Builder Sets.

Now that you're ready for the challenge of the Expert Builder Series, we hope that you find it satisfying - but fun too!

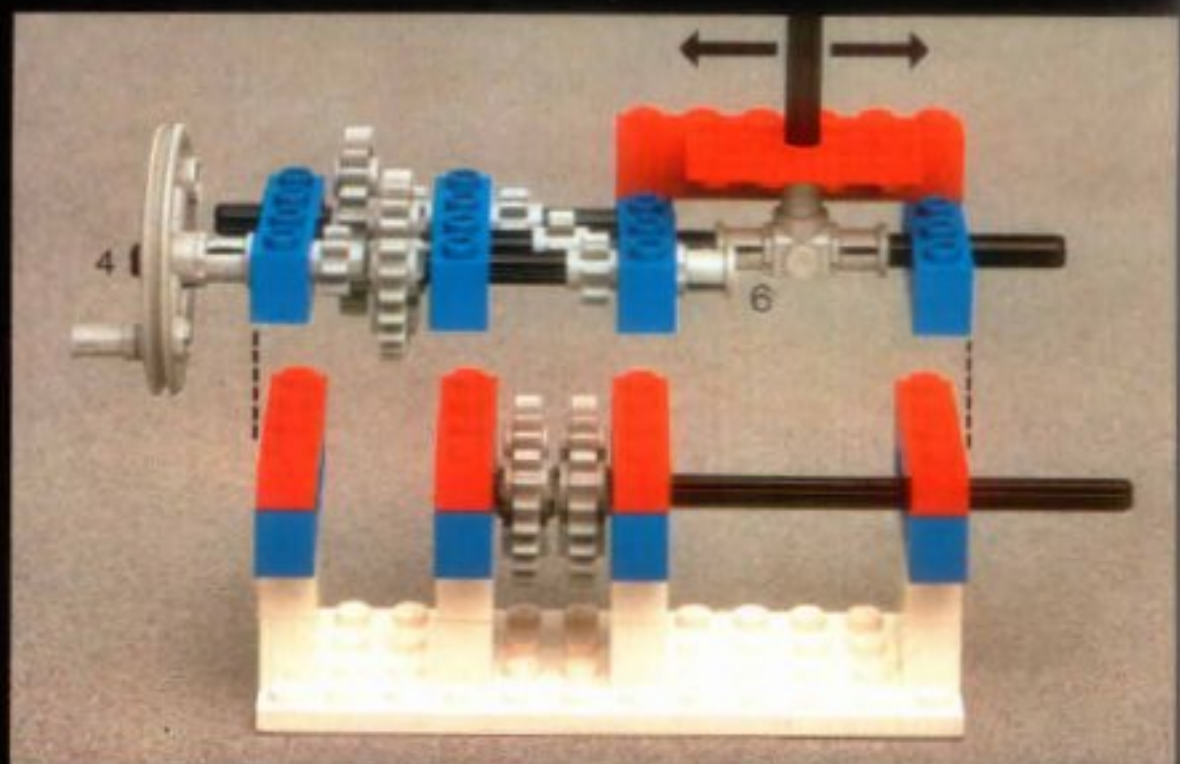
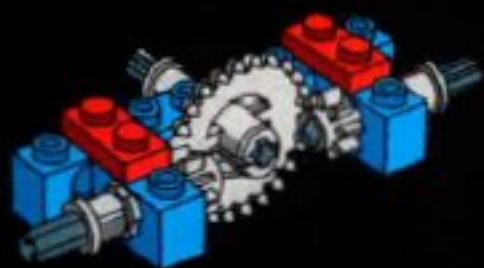
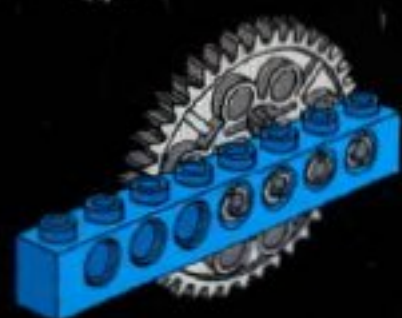
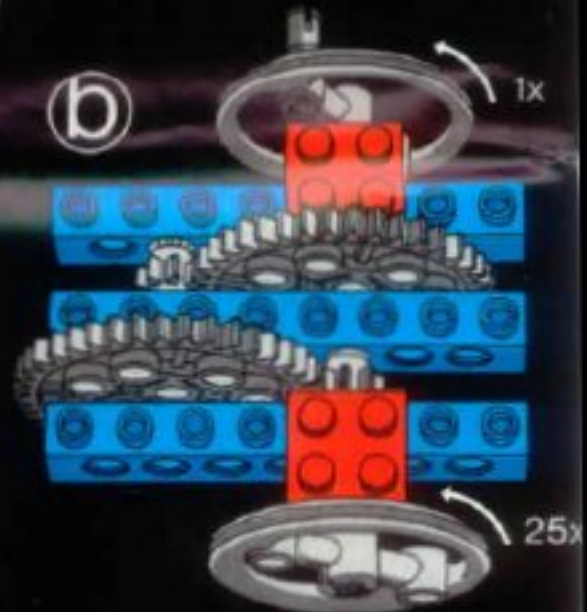


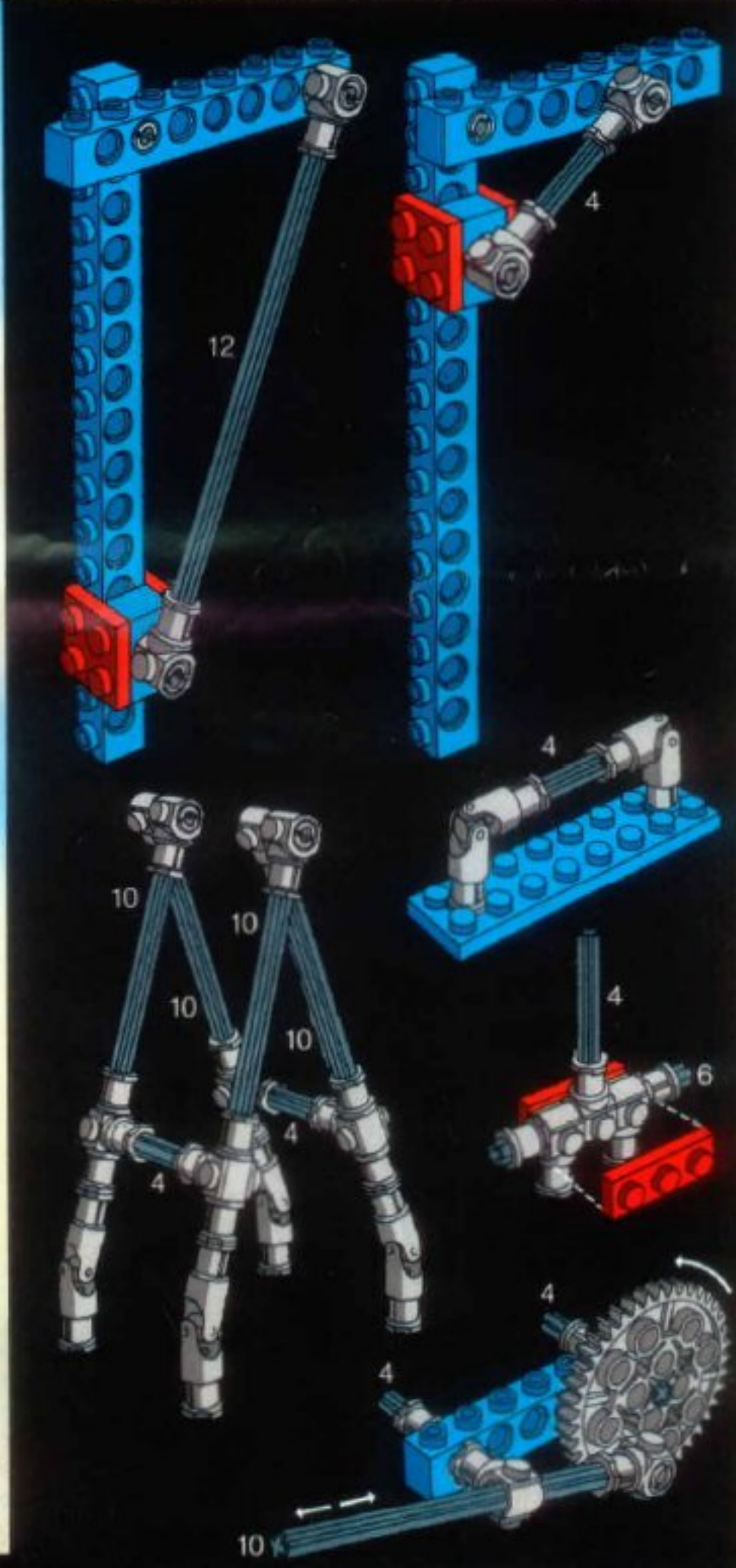
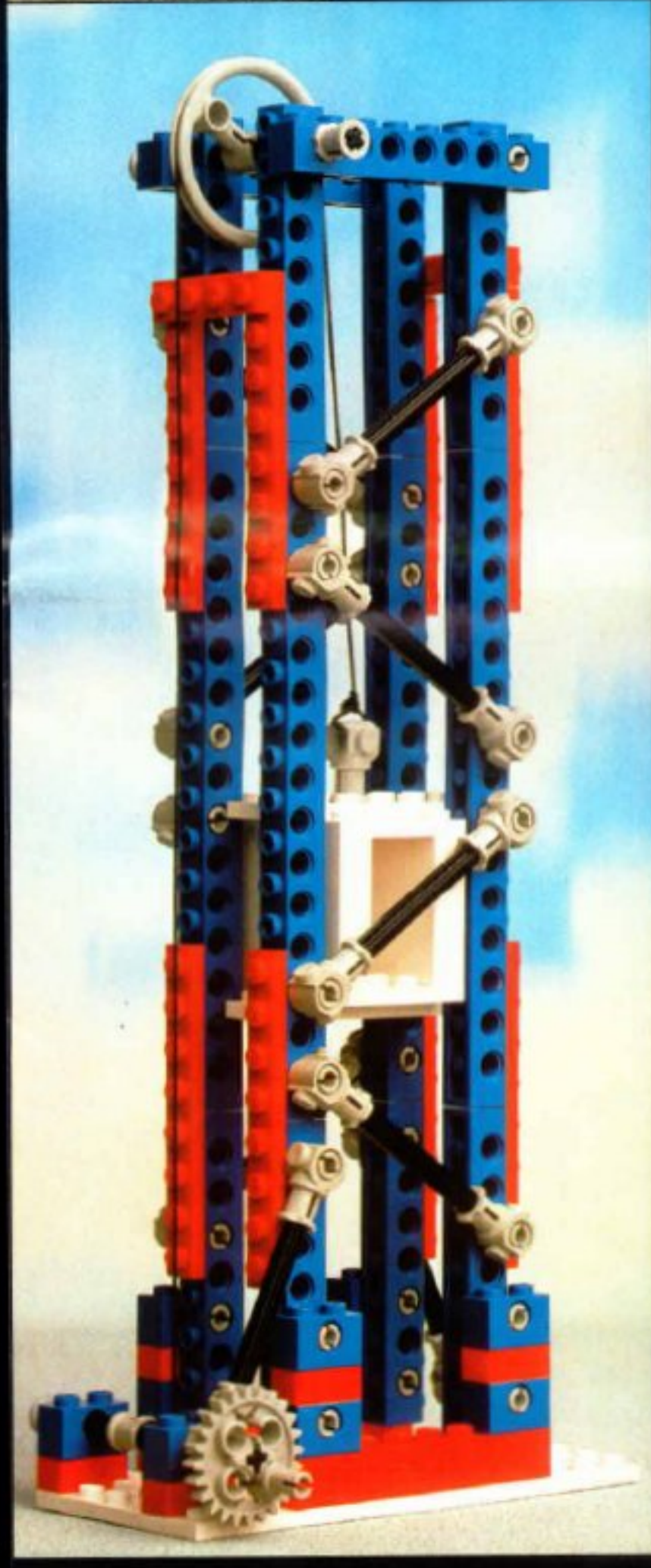
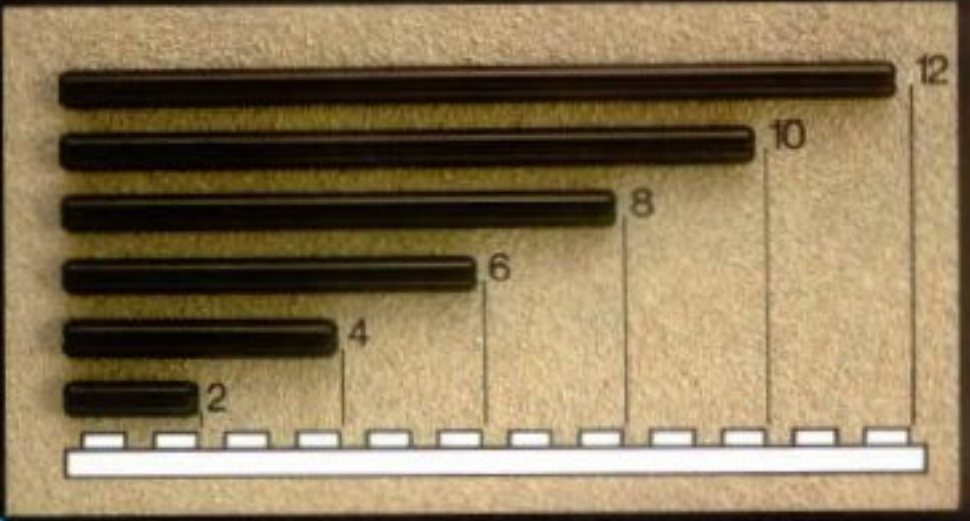


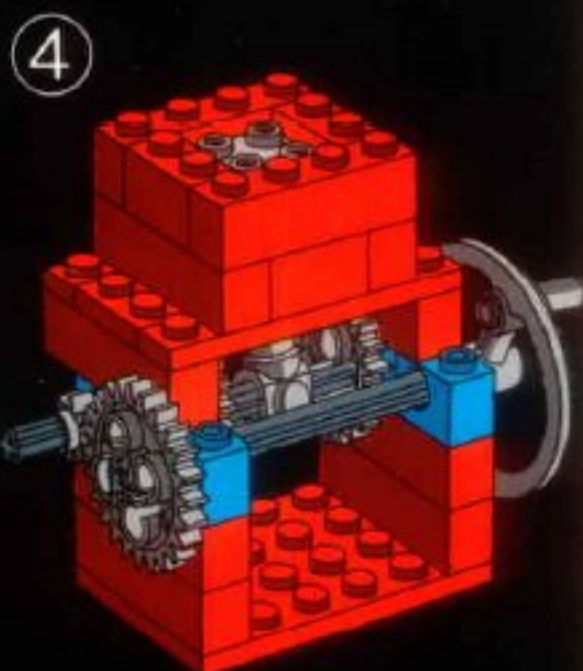
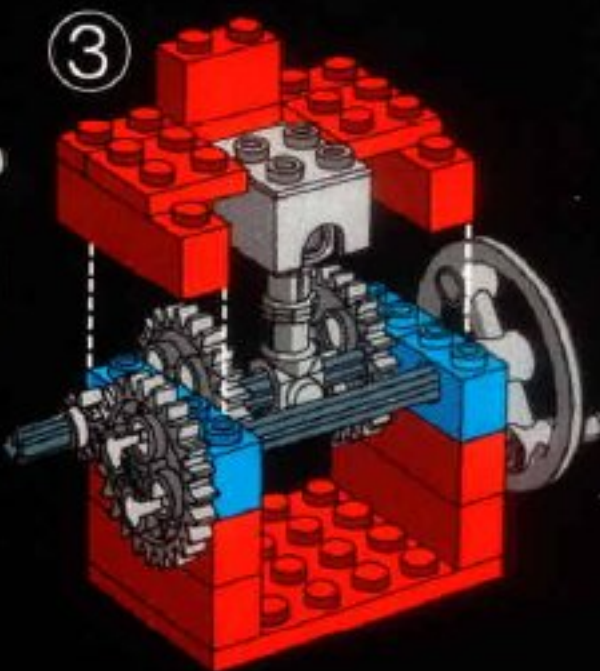
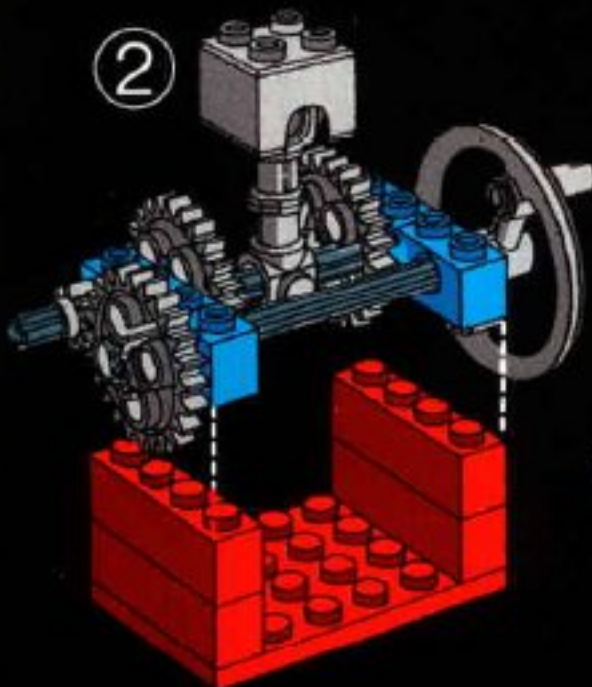
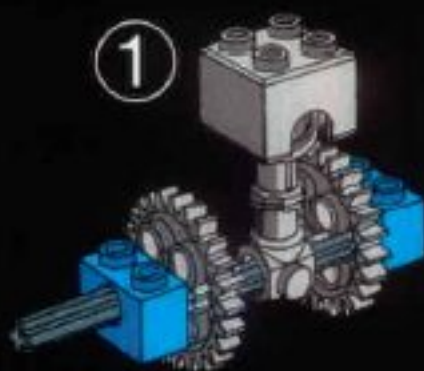
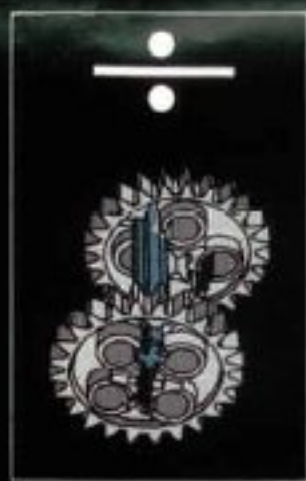
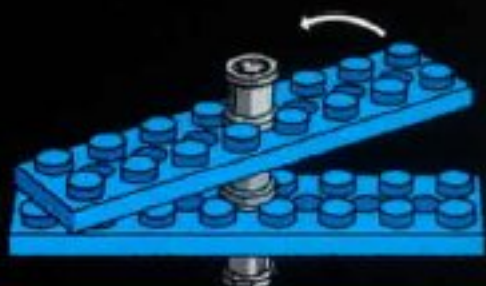
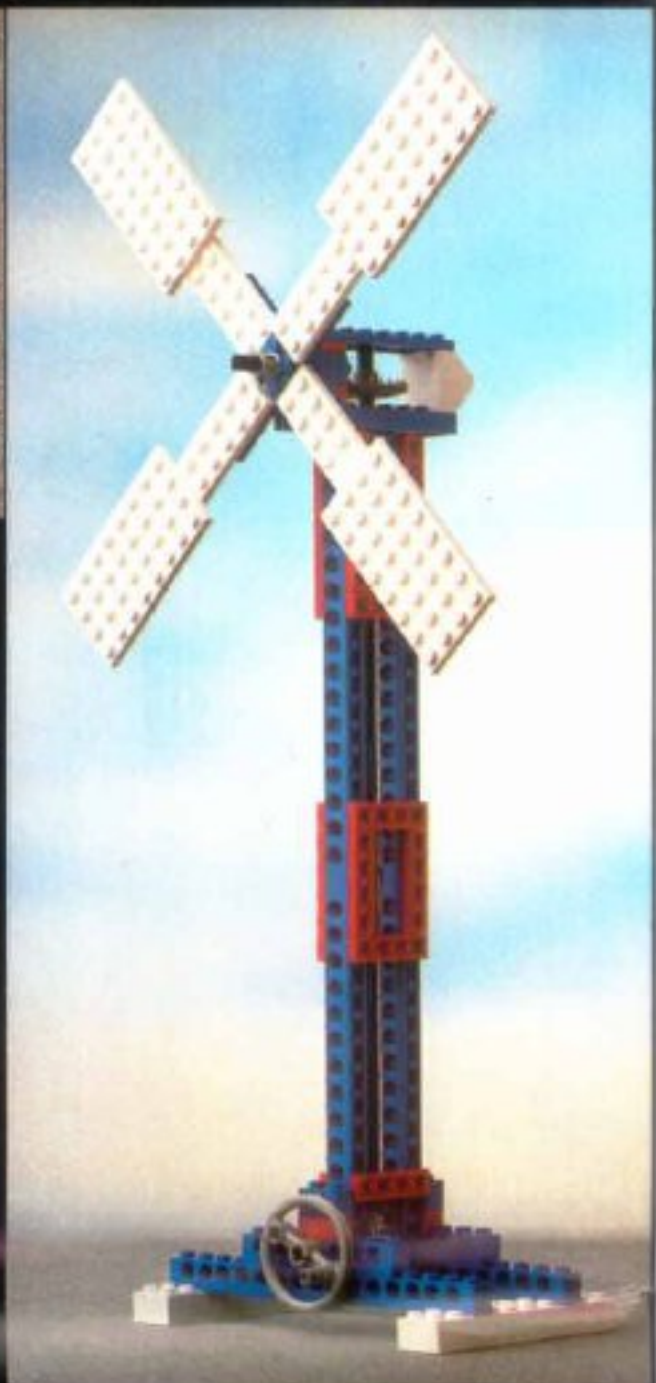
a



b



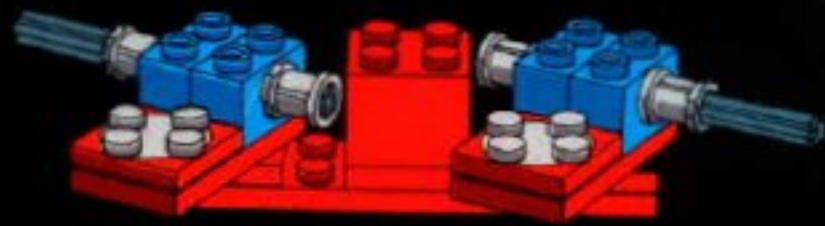




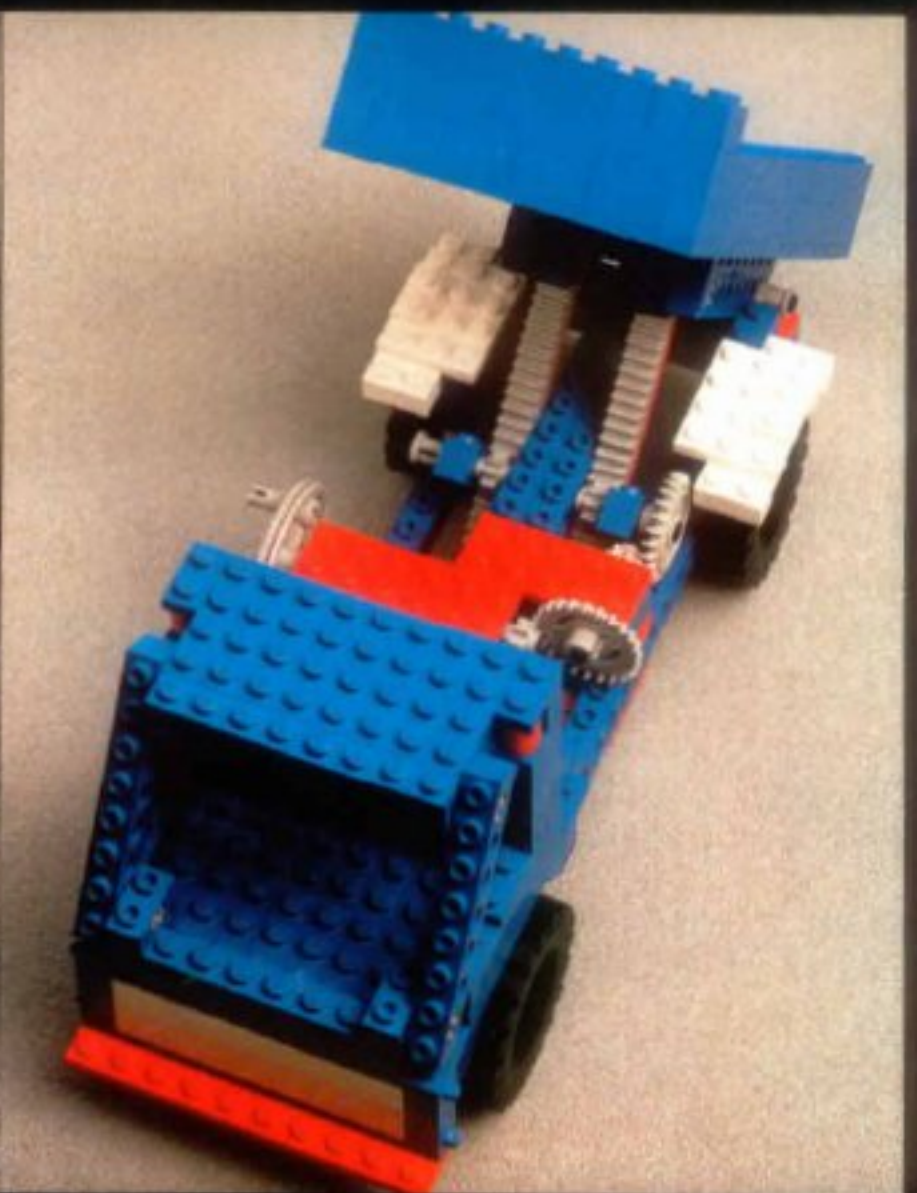
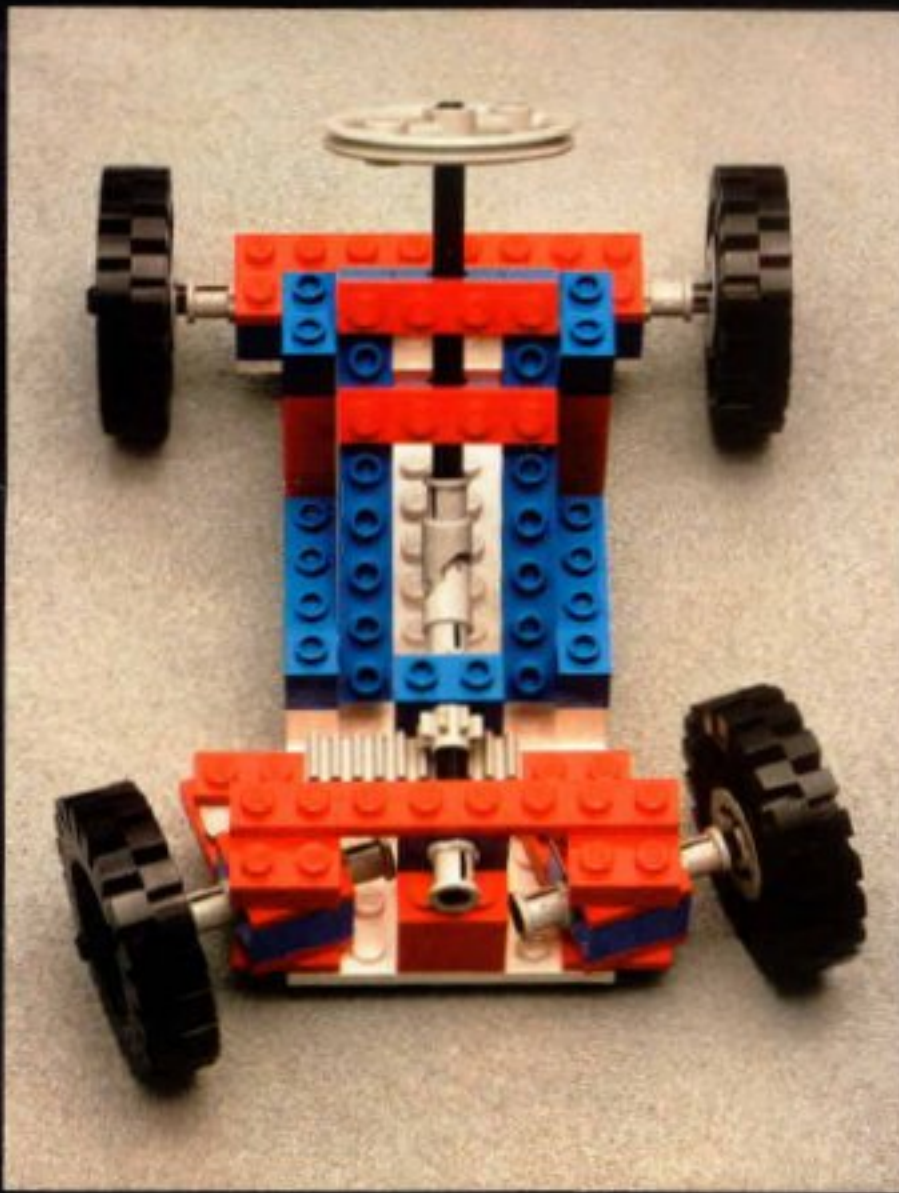
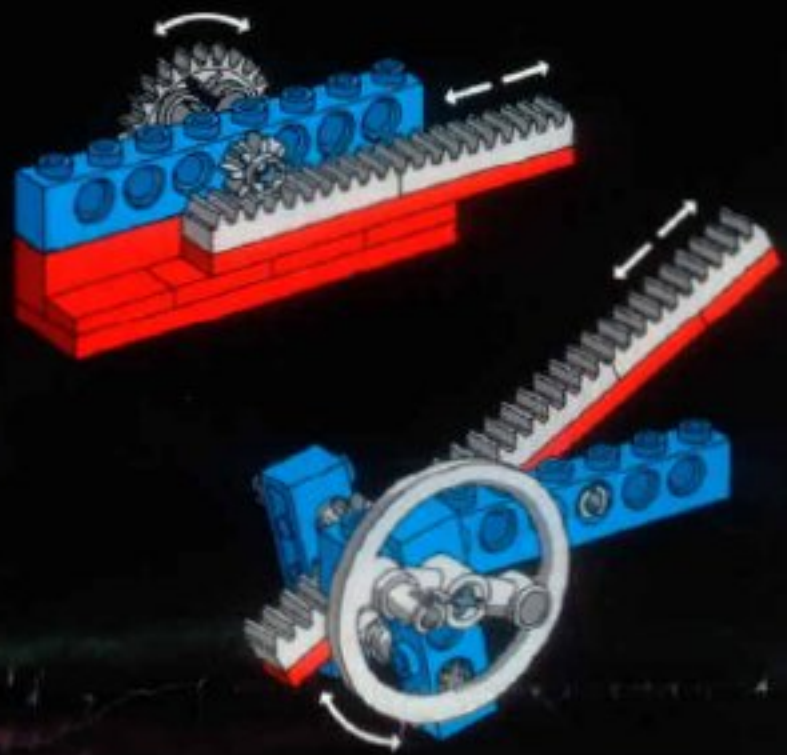
1

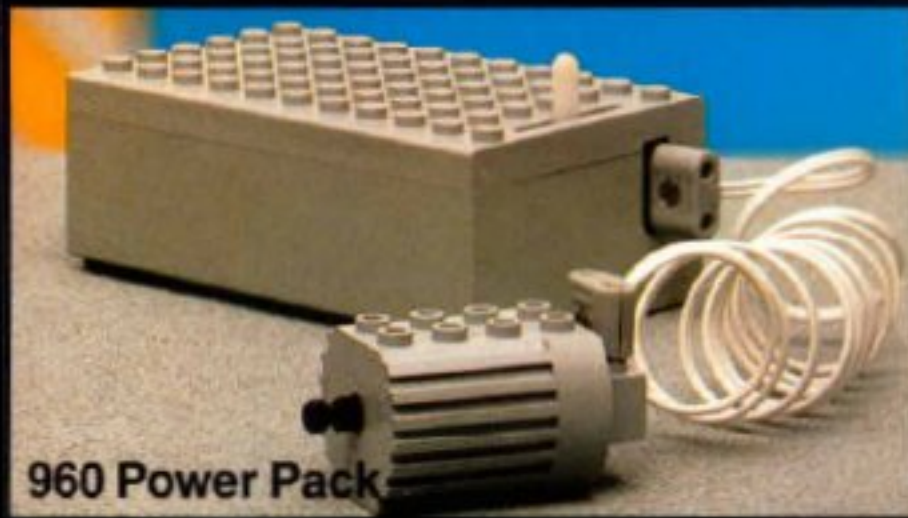


2



3





960 Power Pack

