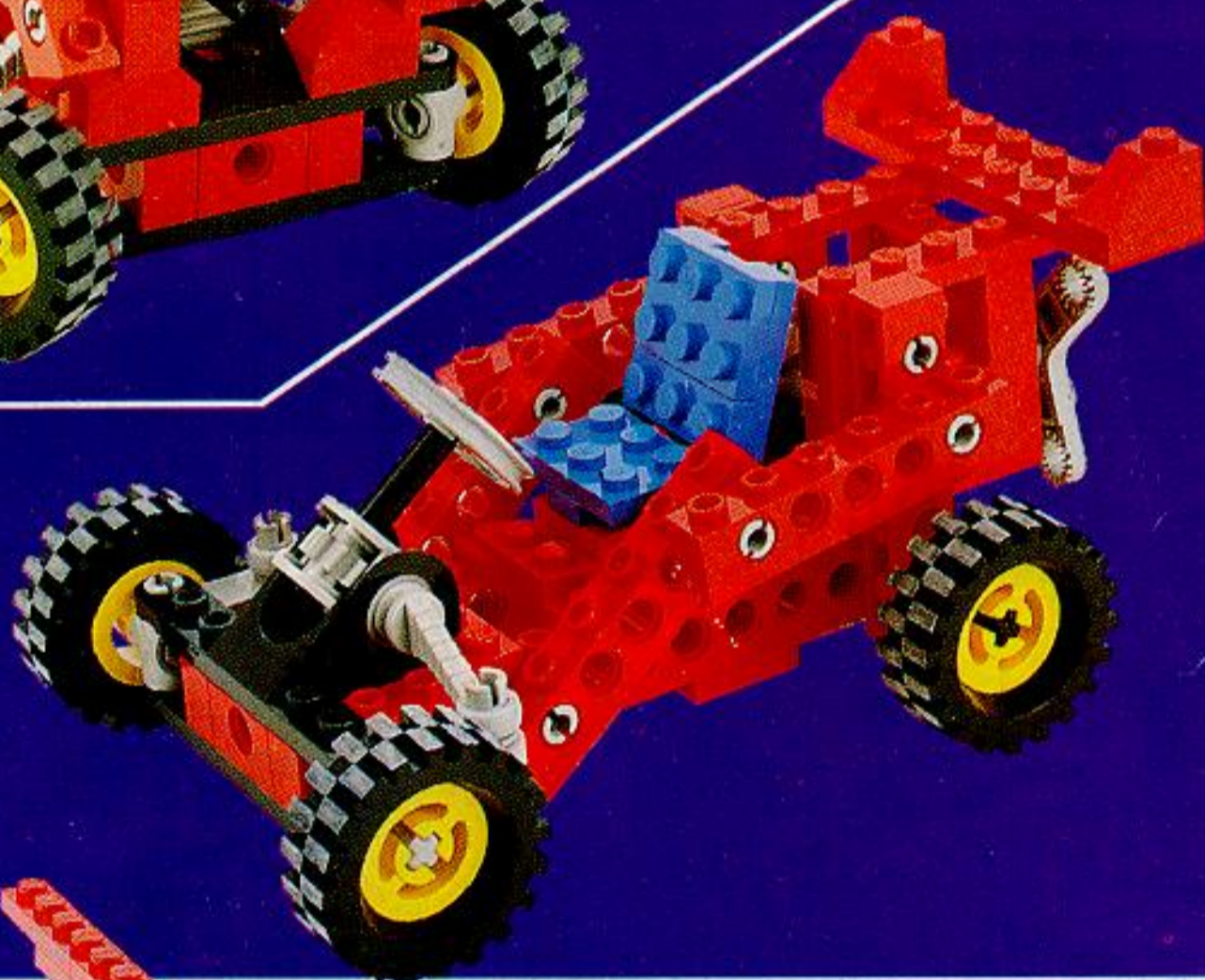


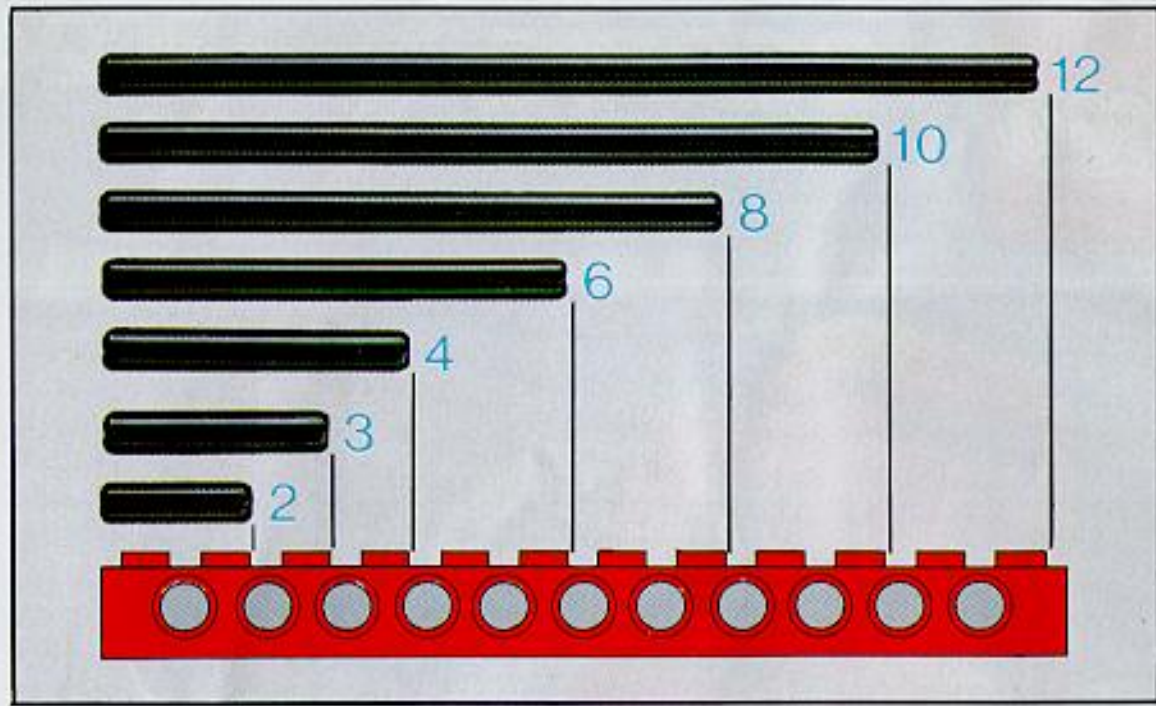
**LEGO**

Technic

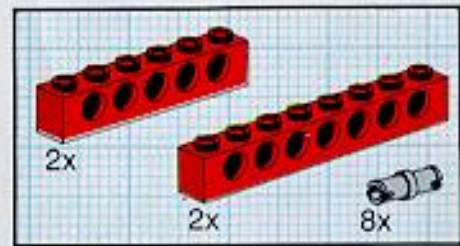
8024



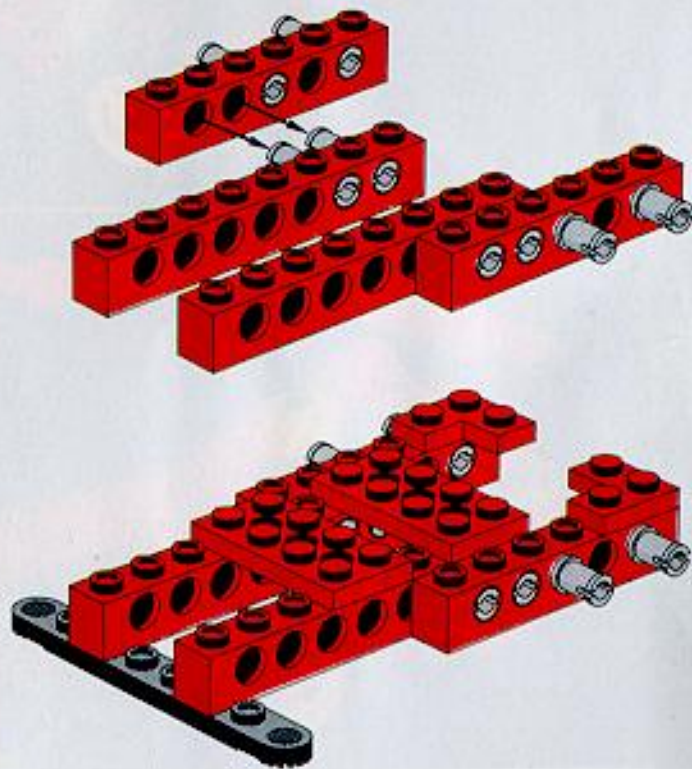
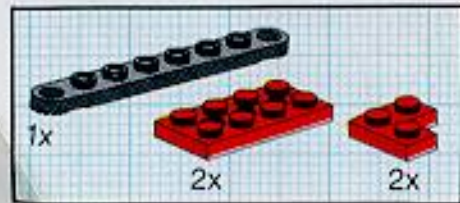




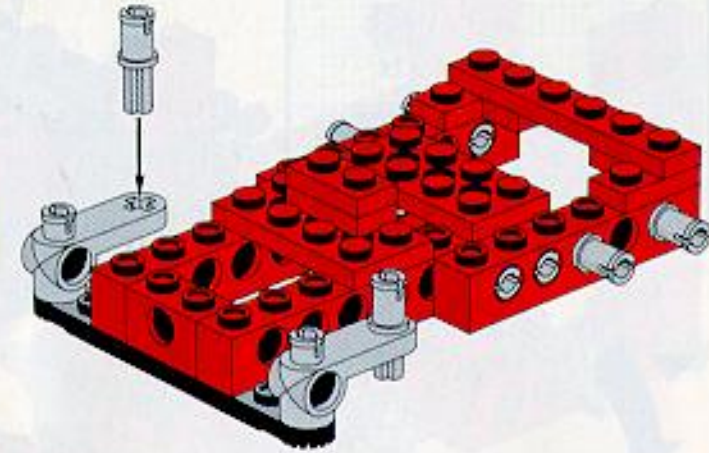
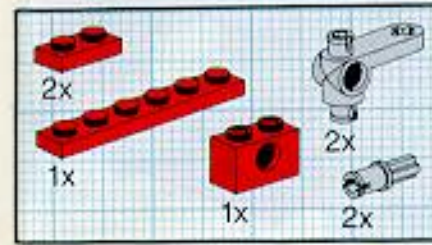
**1**



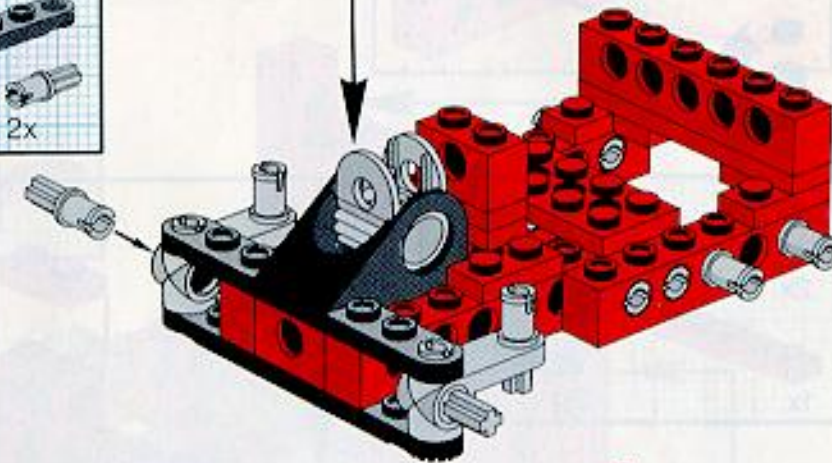
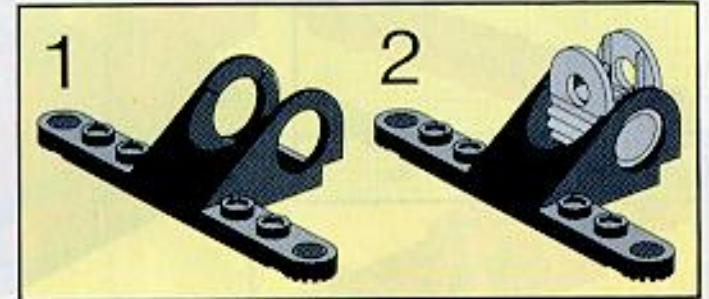
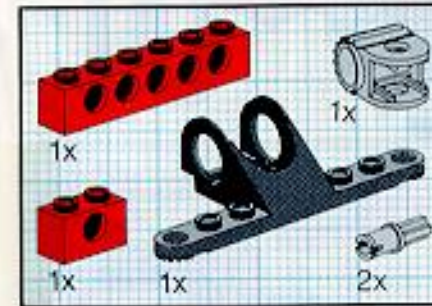
**2**



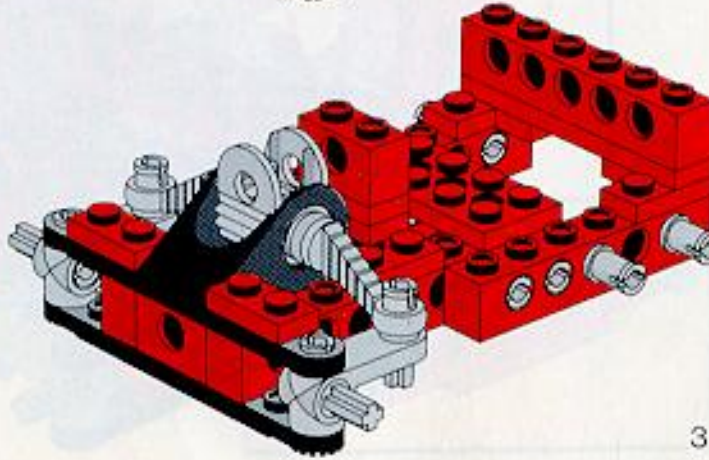
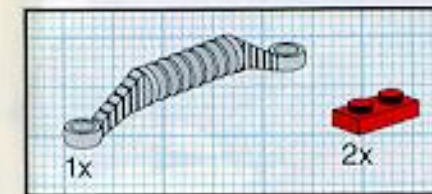
**3**



**4**

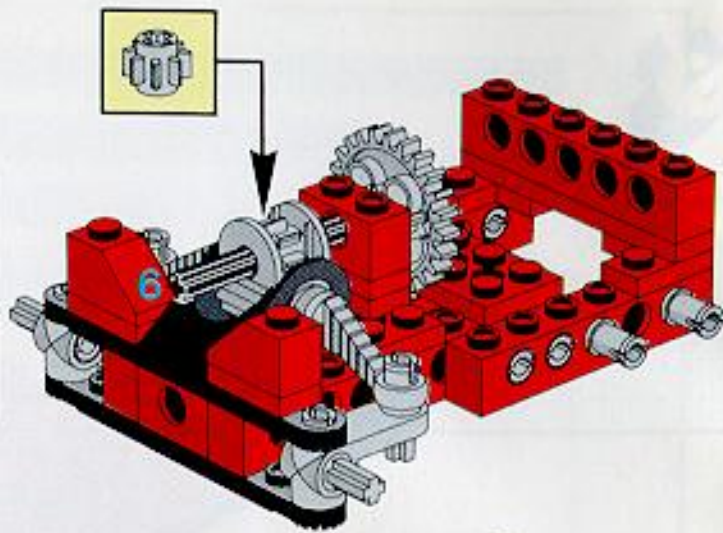
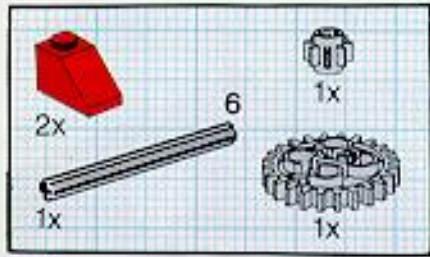


**5**

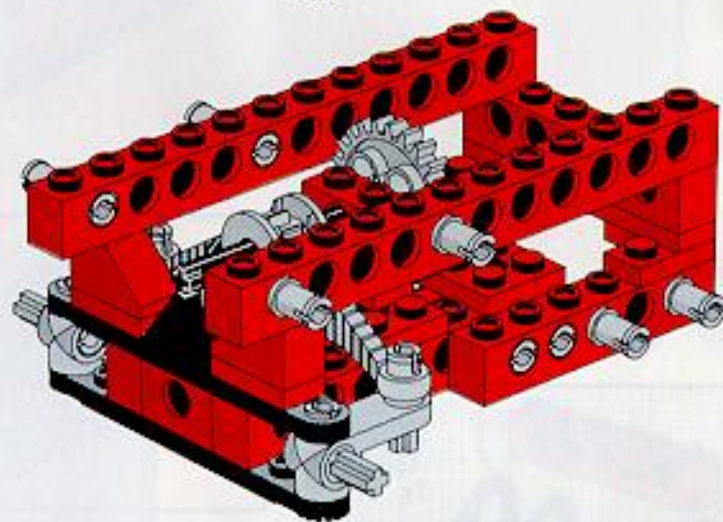
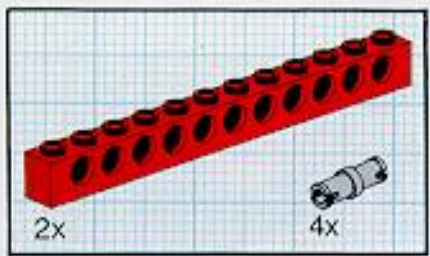




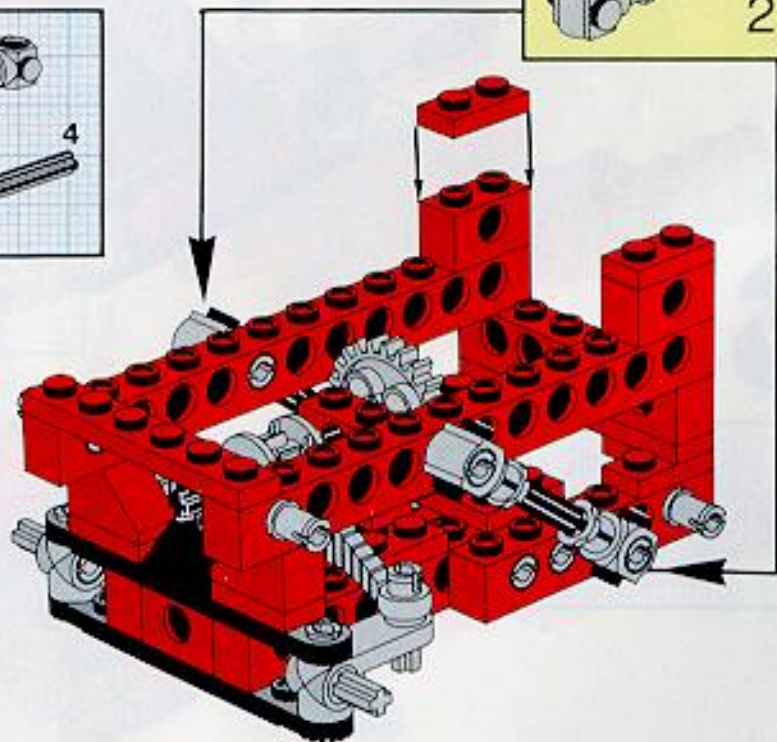
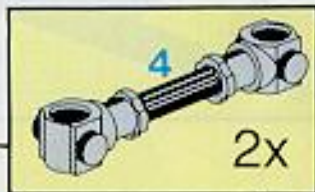
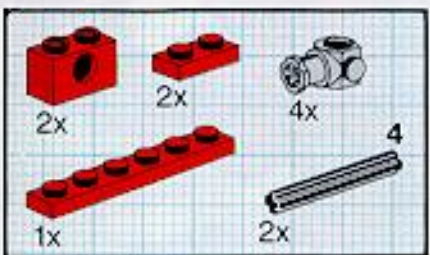
# 6



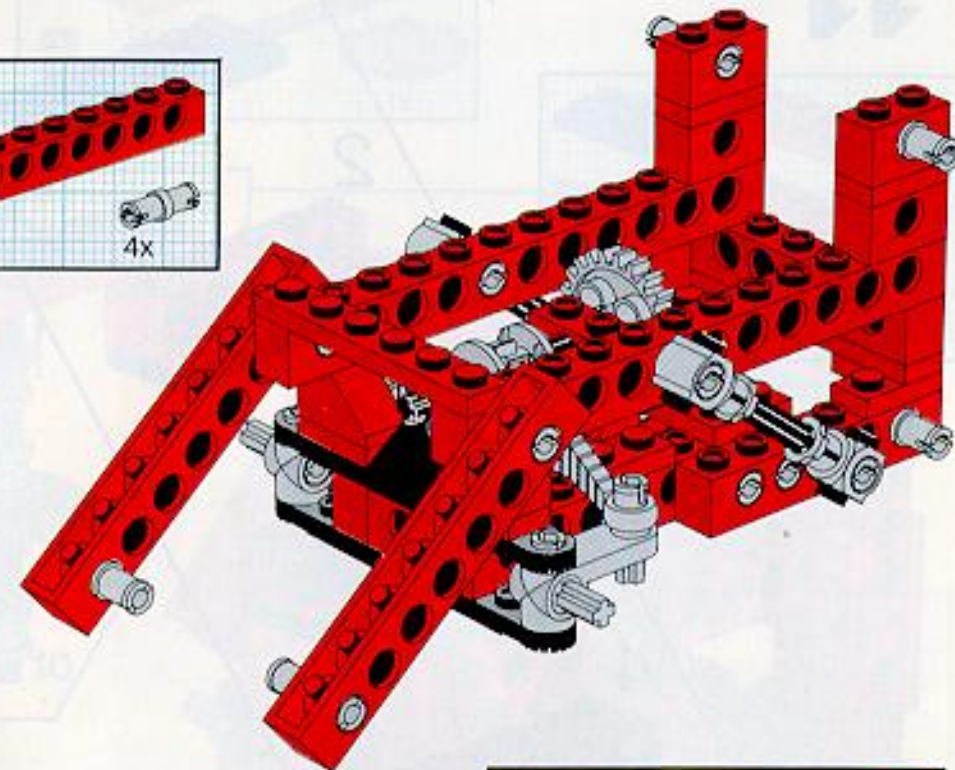
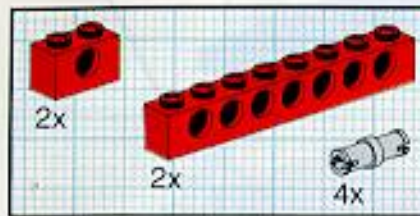
# 7



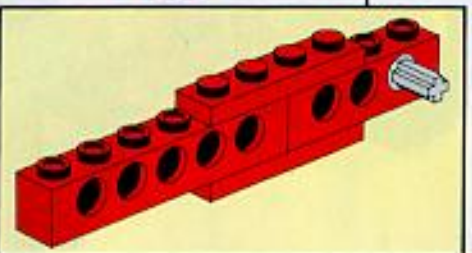
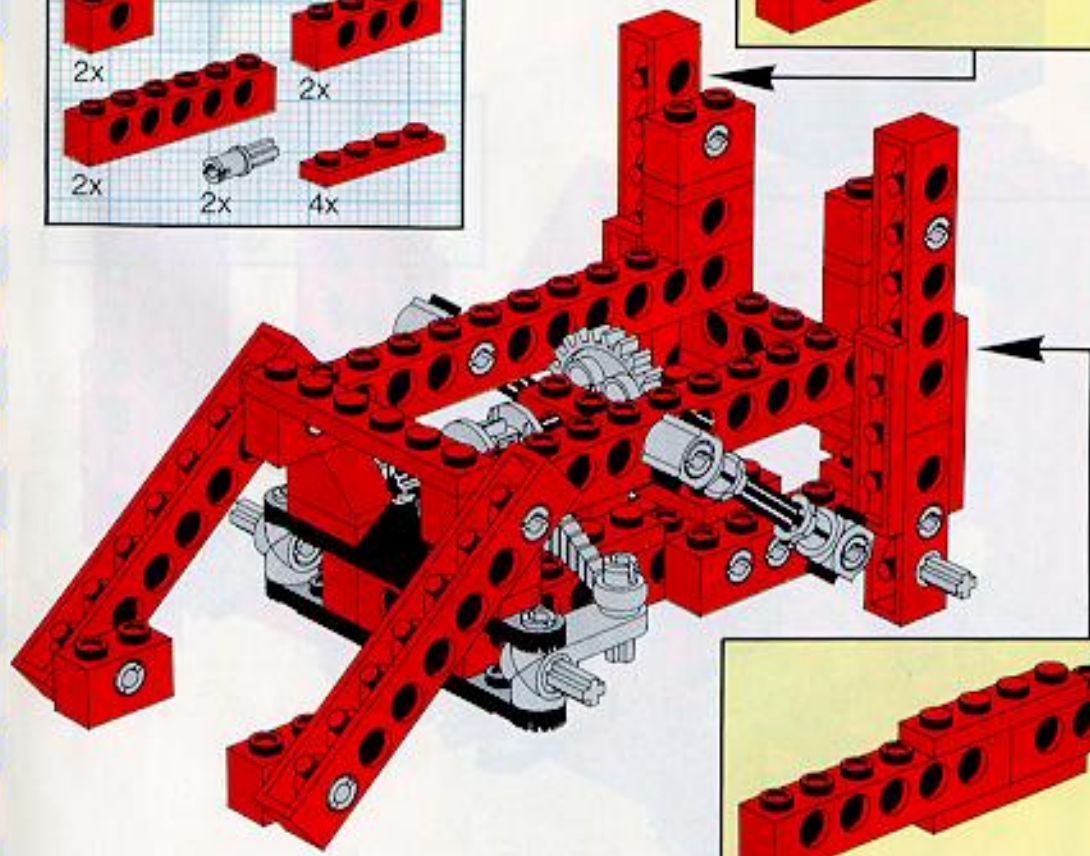
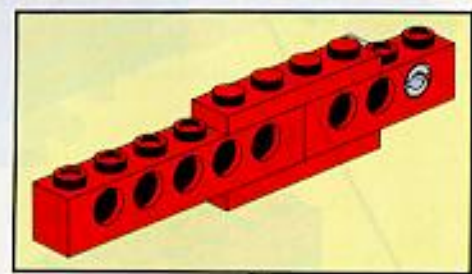
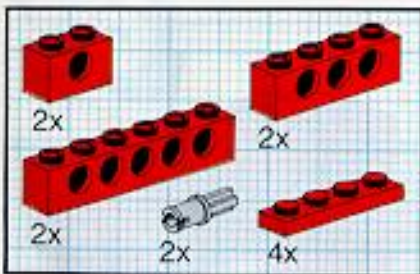
# 8



# 9

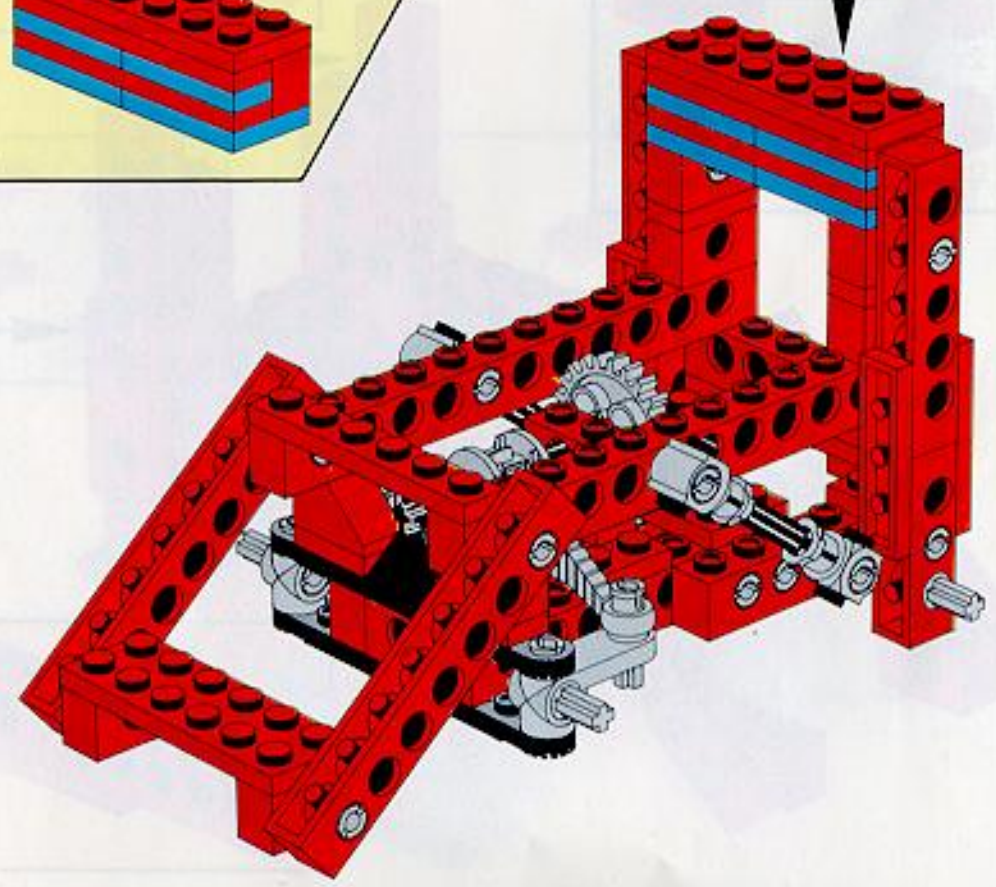
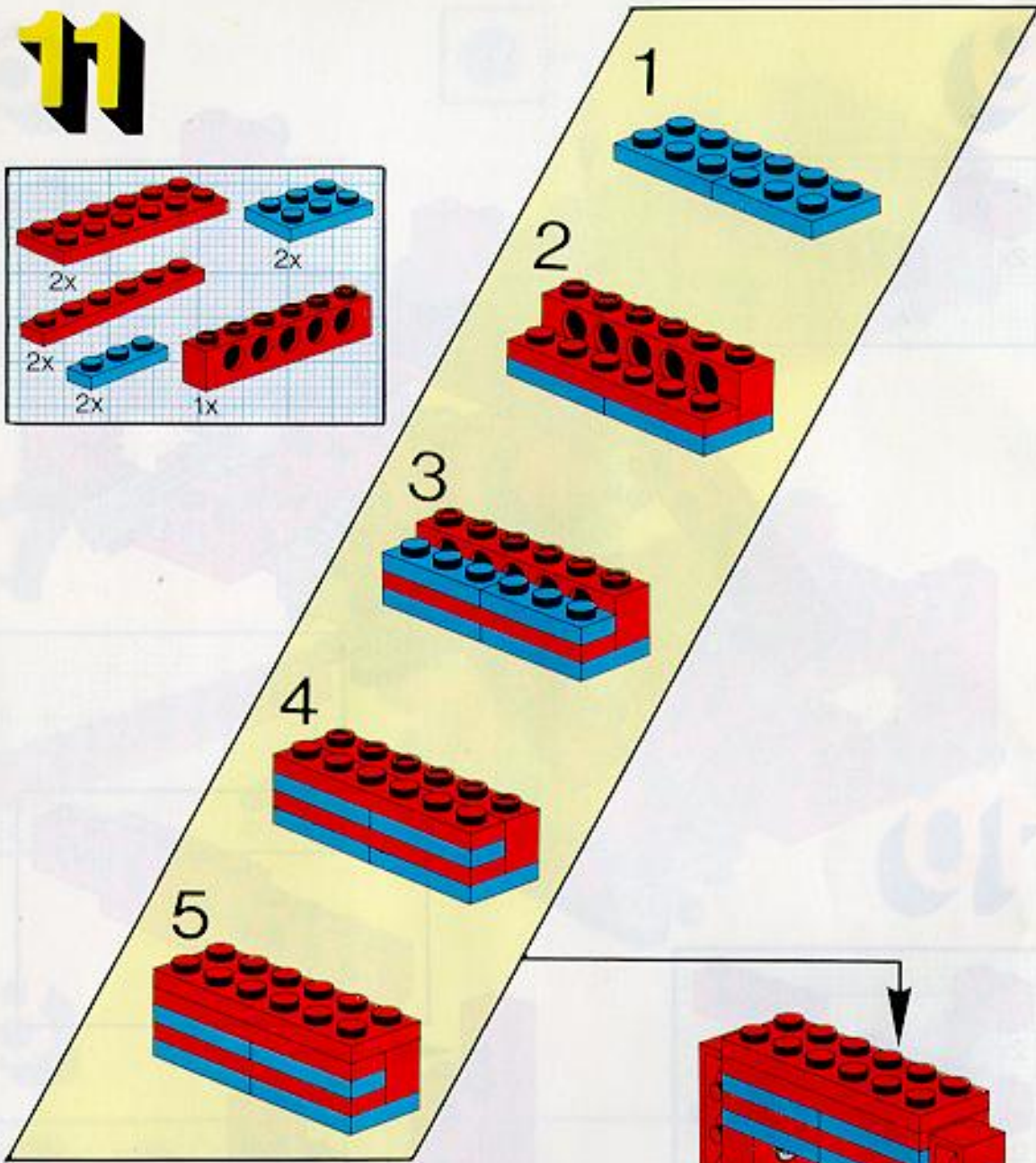
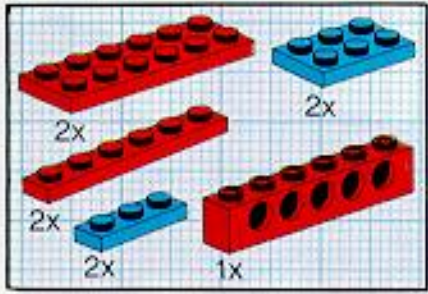


# 10

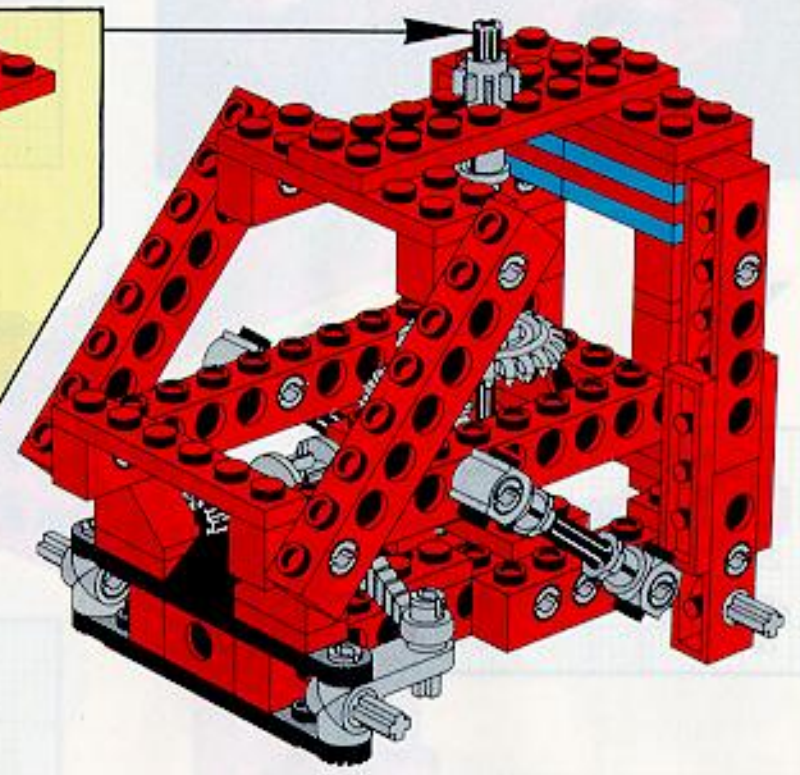
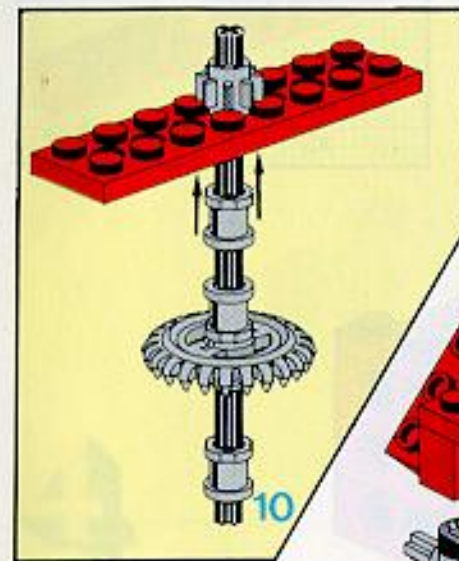
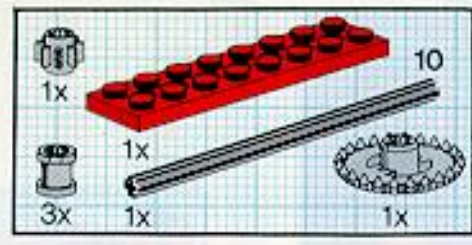




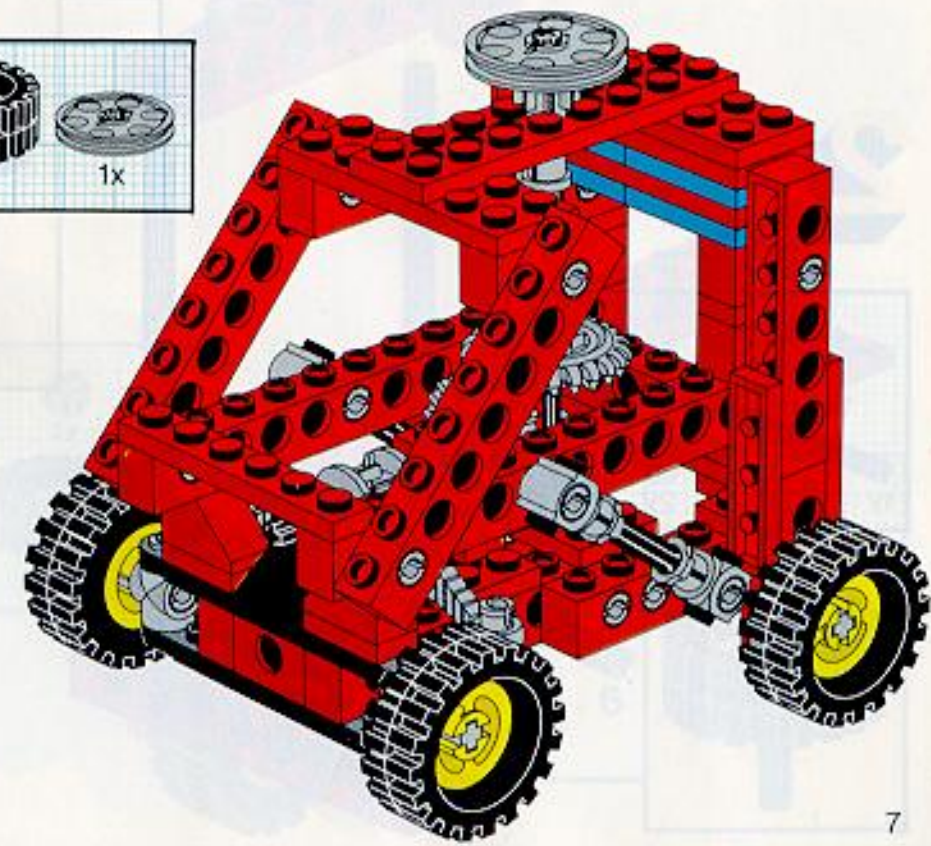
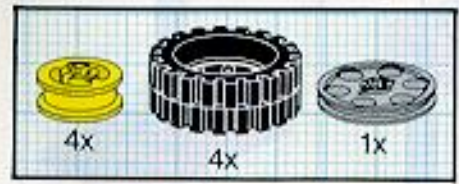
# 11



# 12



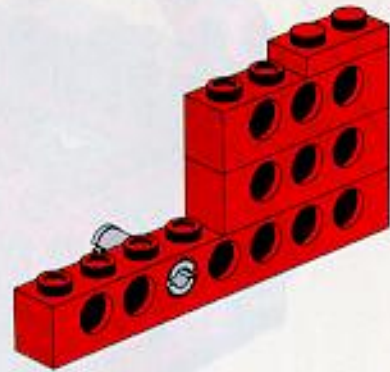
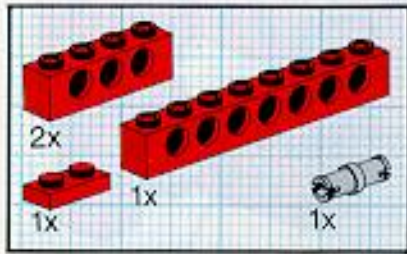
# 13



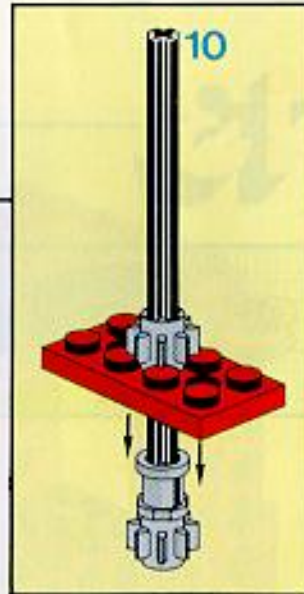
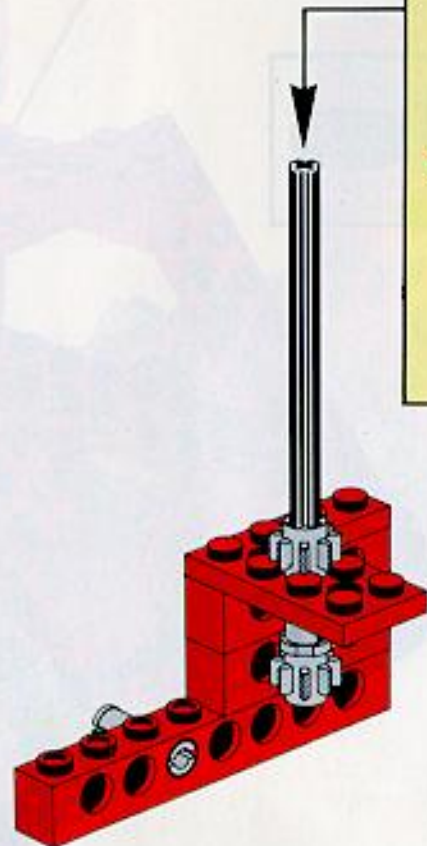
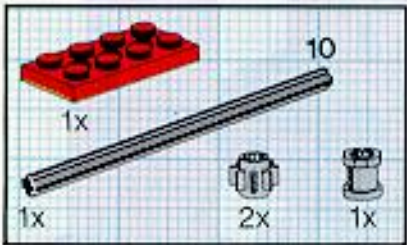




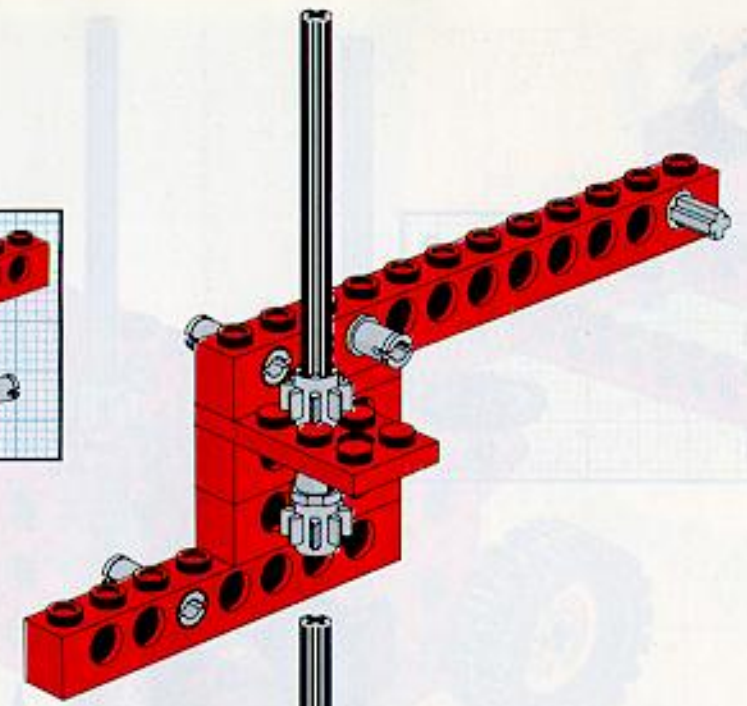
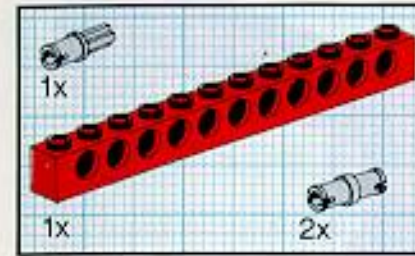
1



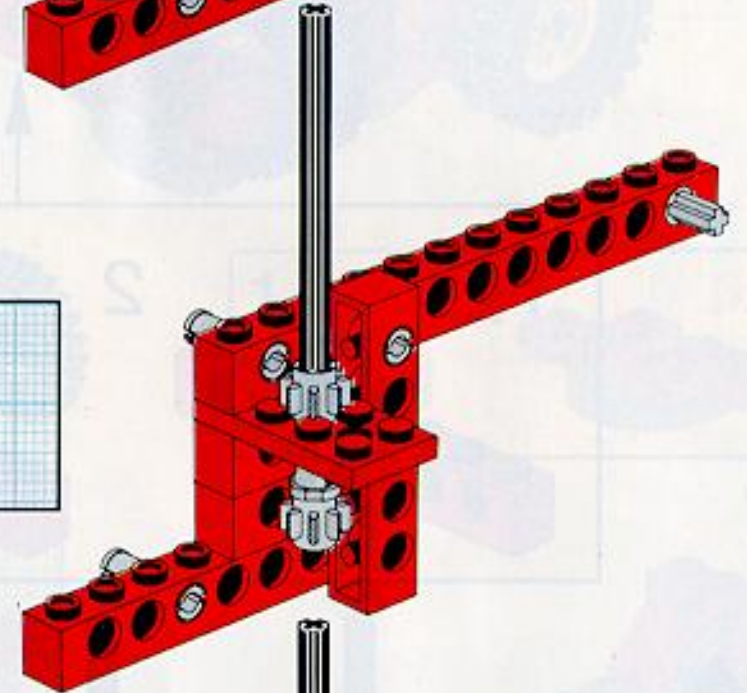
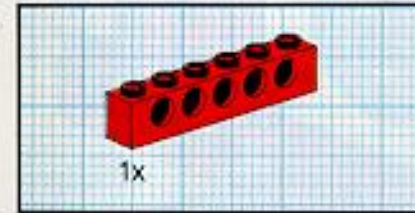
2



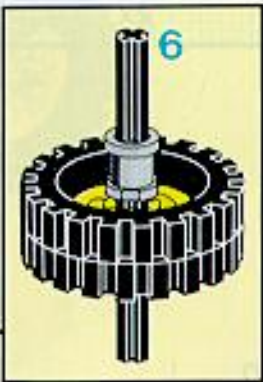
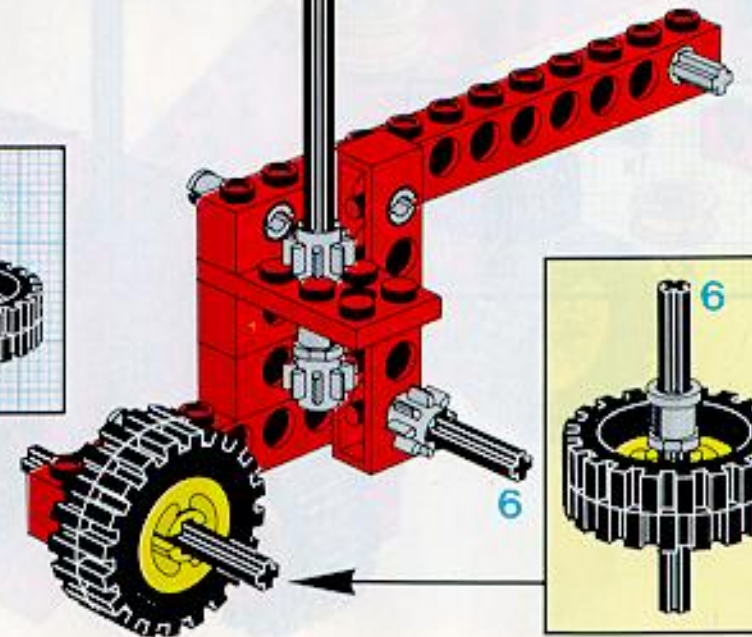
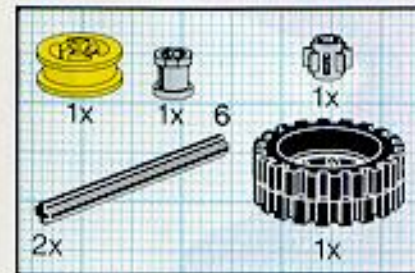
3



4

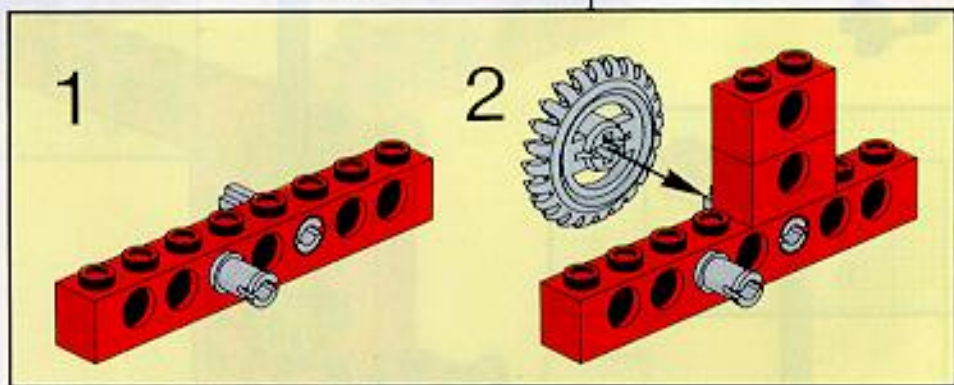
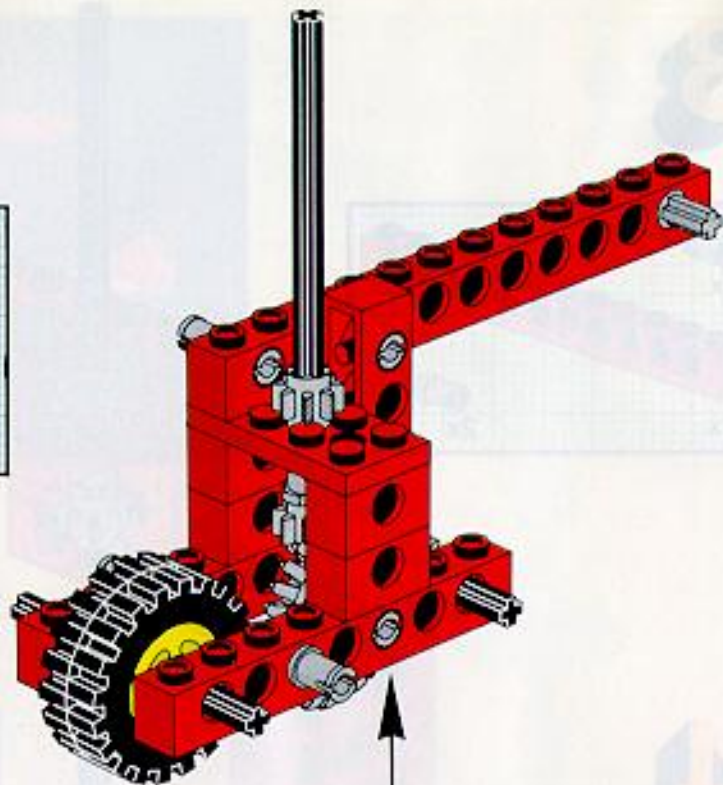
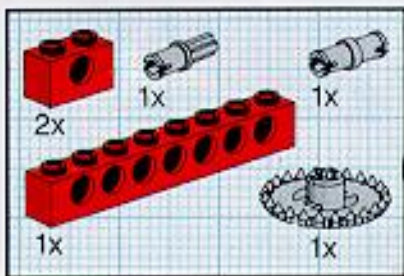


5

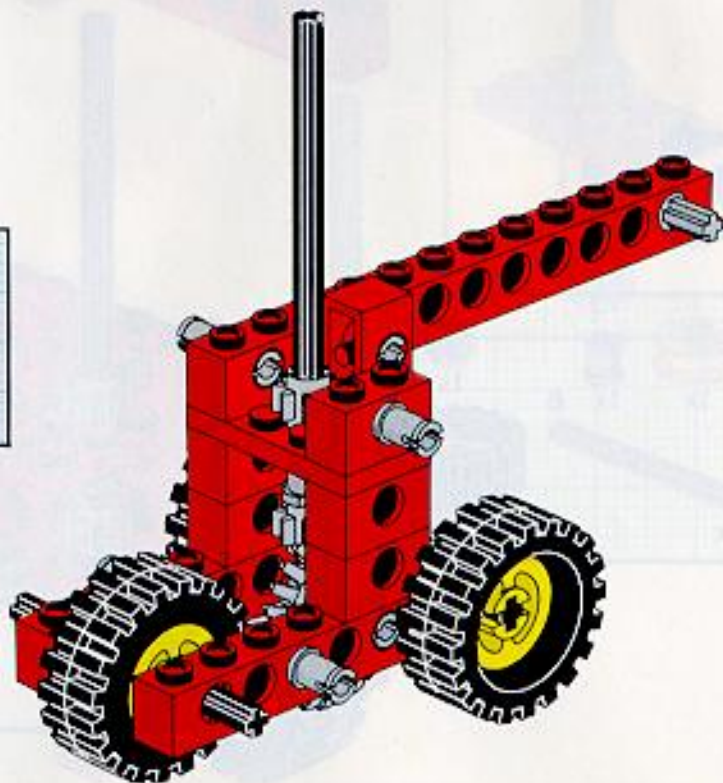
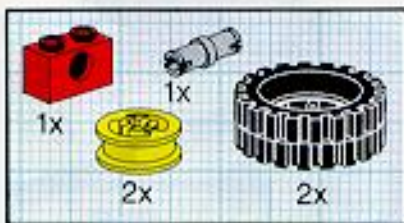




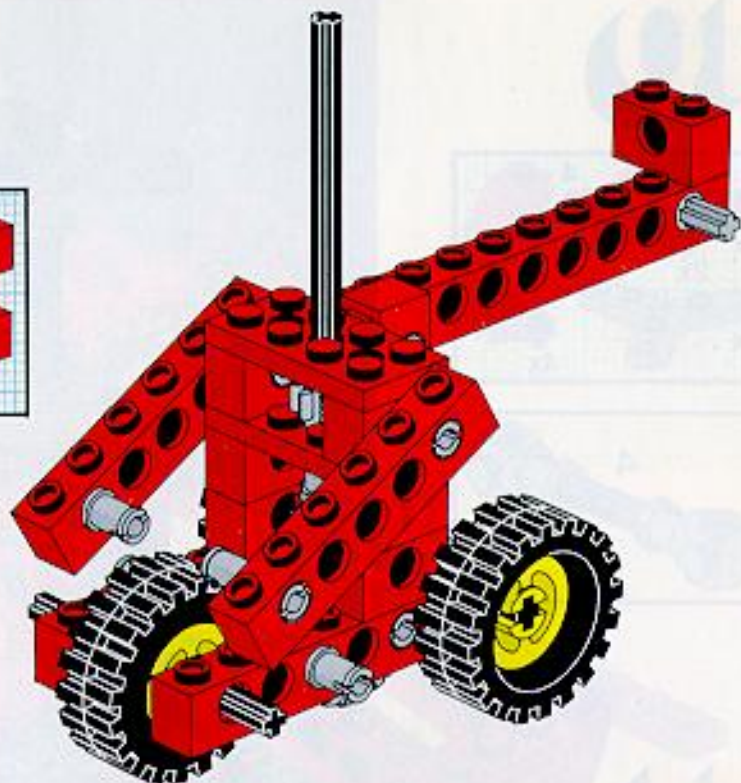
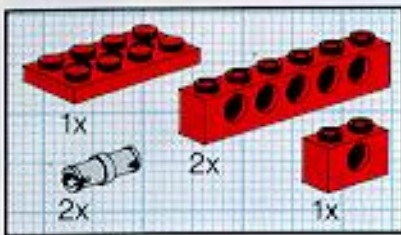
# 6



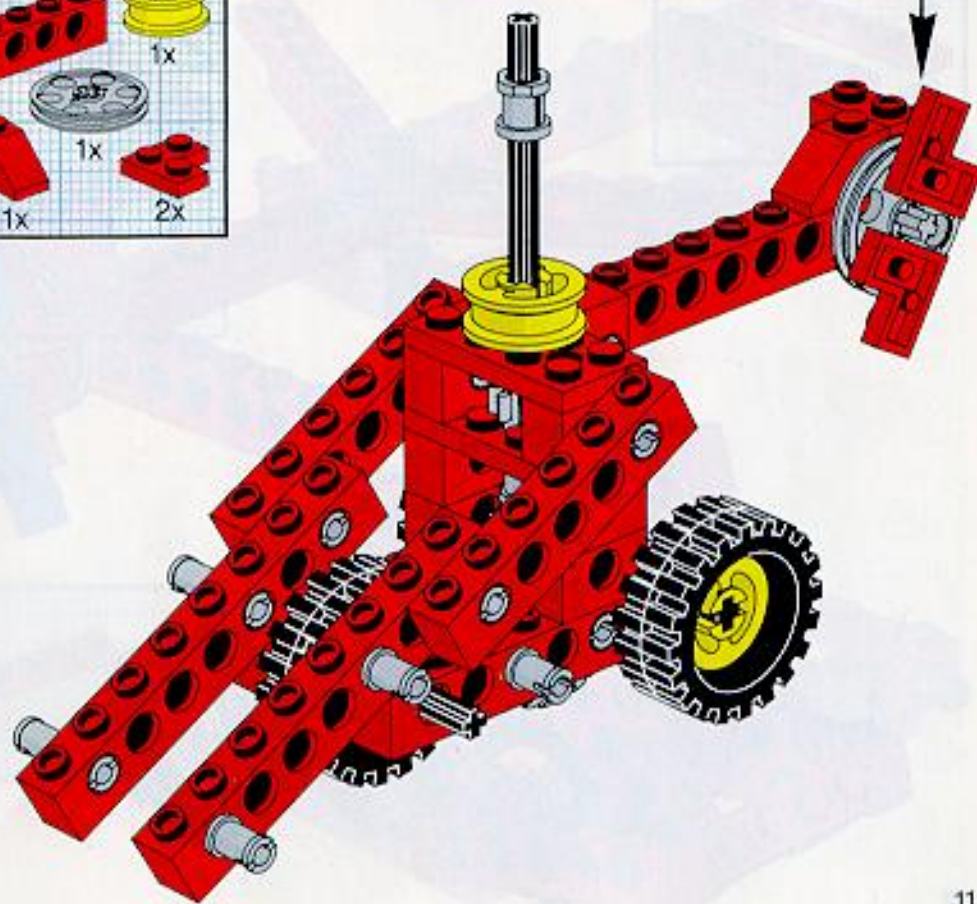
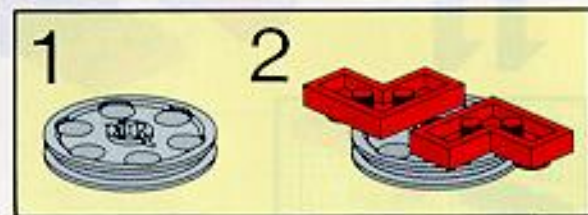
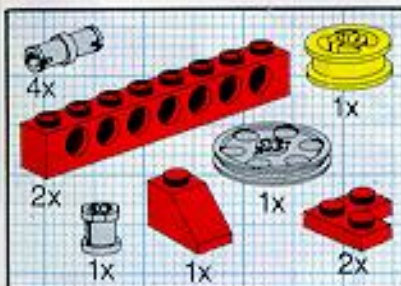
# 7



# 8

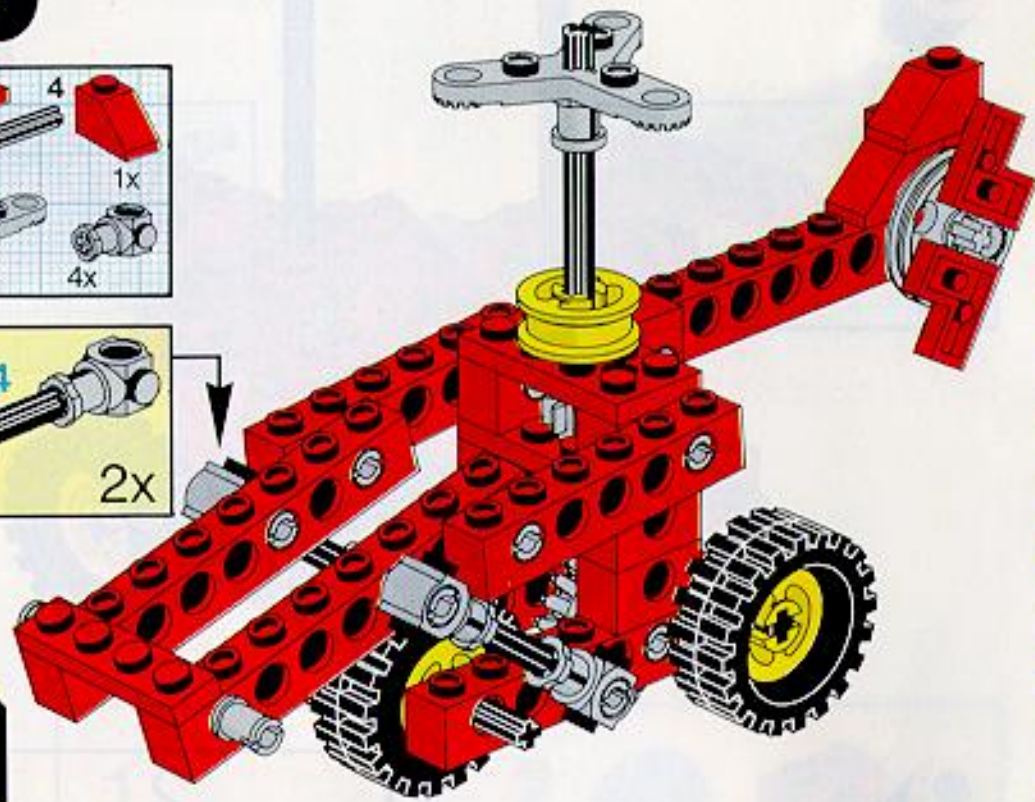
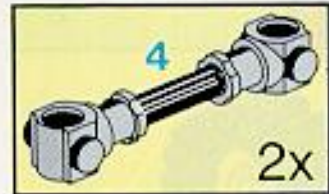
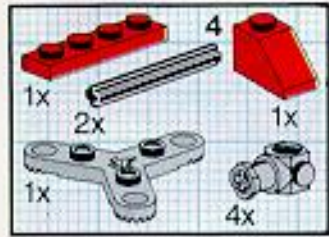


# 9

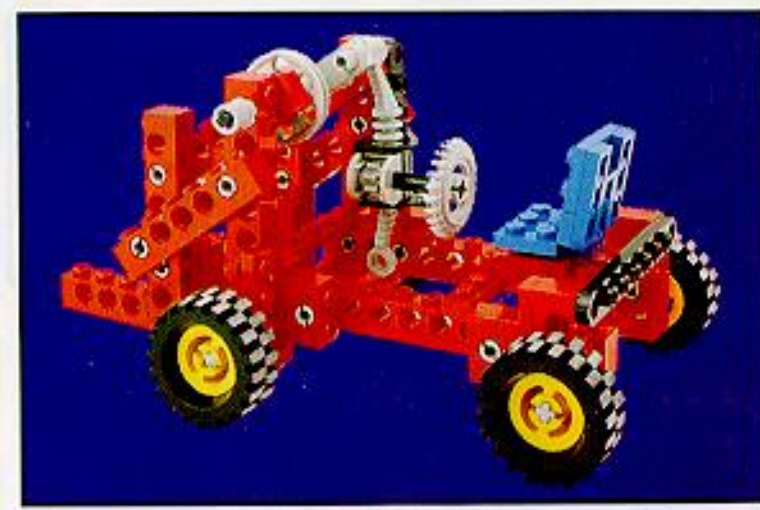
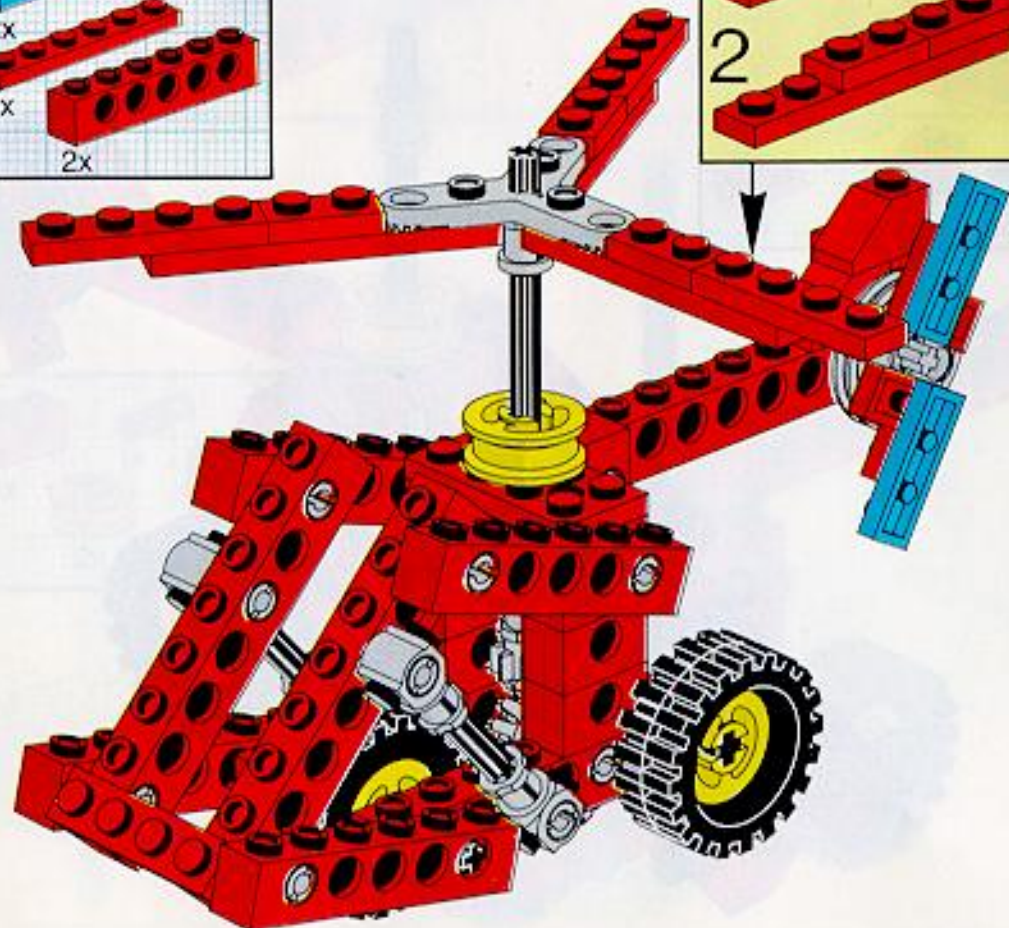
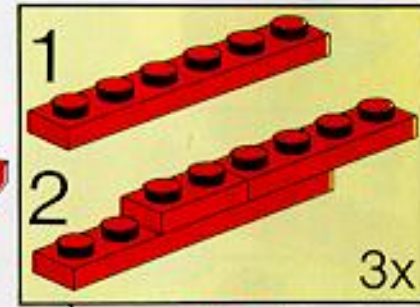
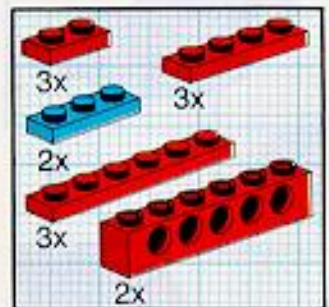




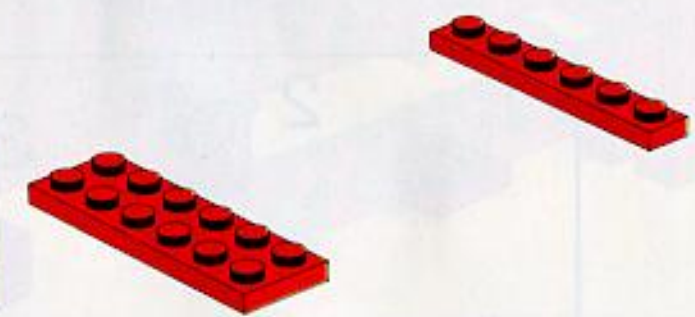
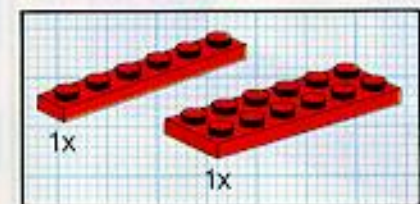
# 10



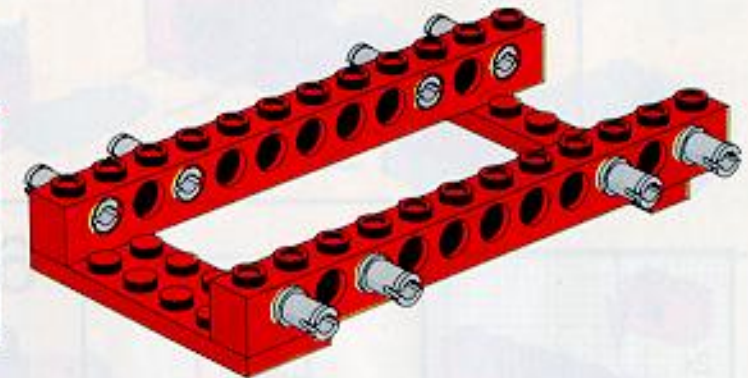
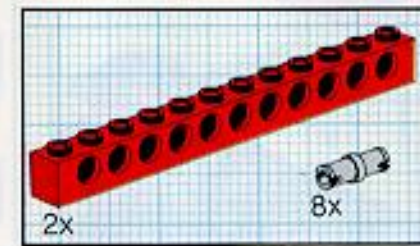
# 11



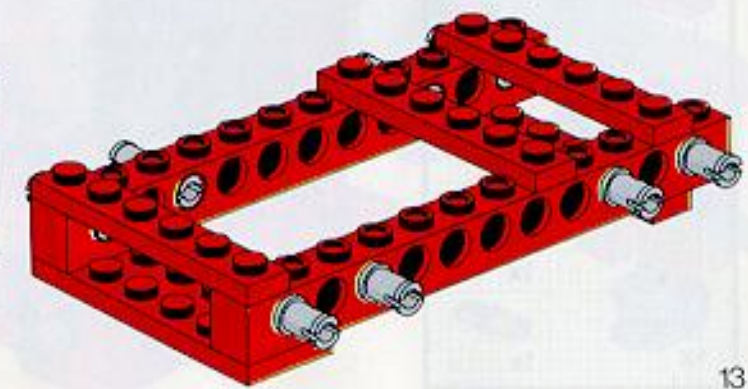
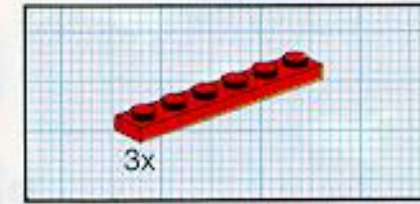
# 1



# 2

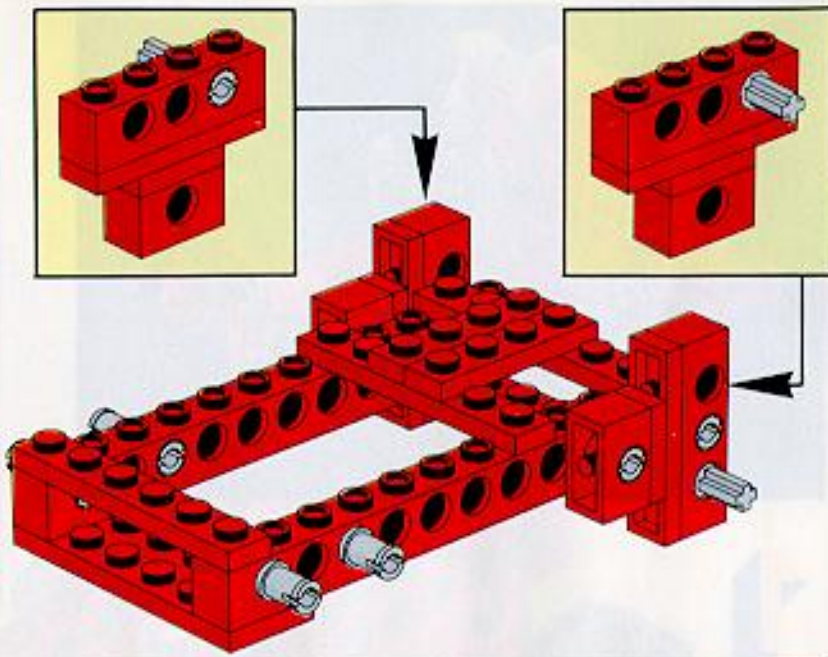
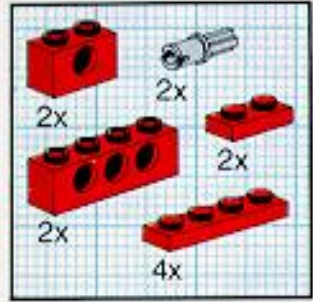


# 3

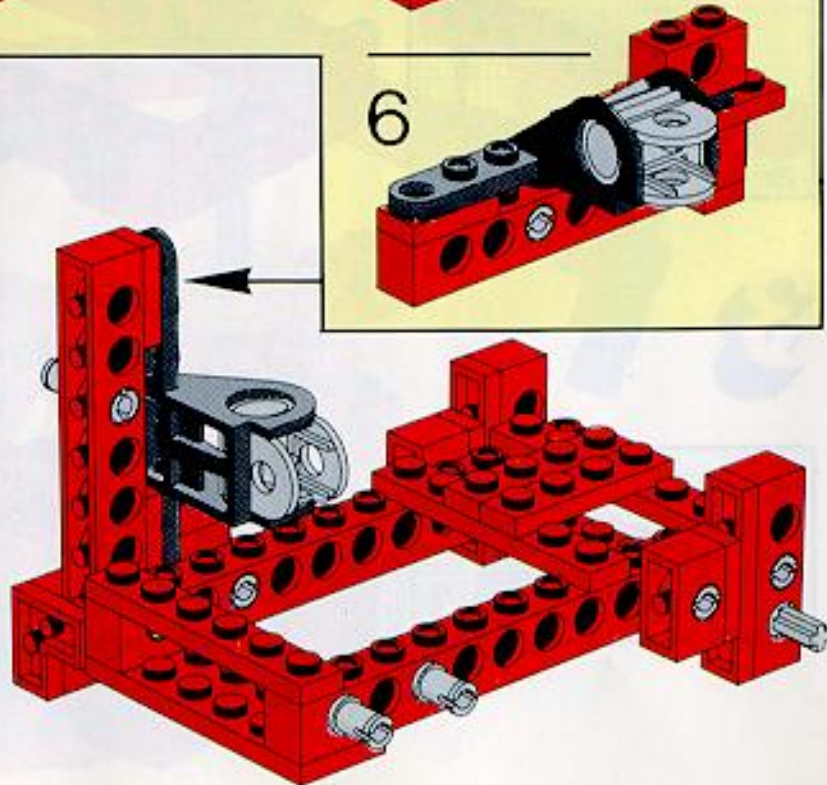
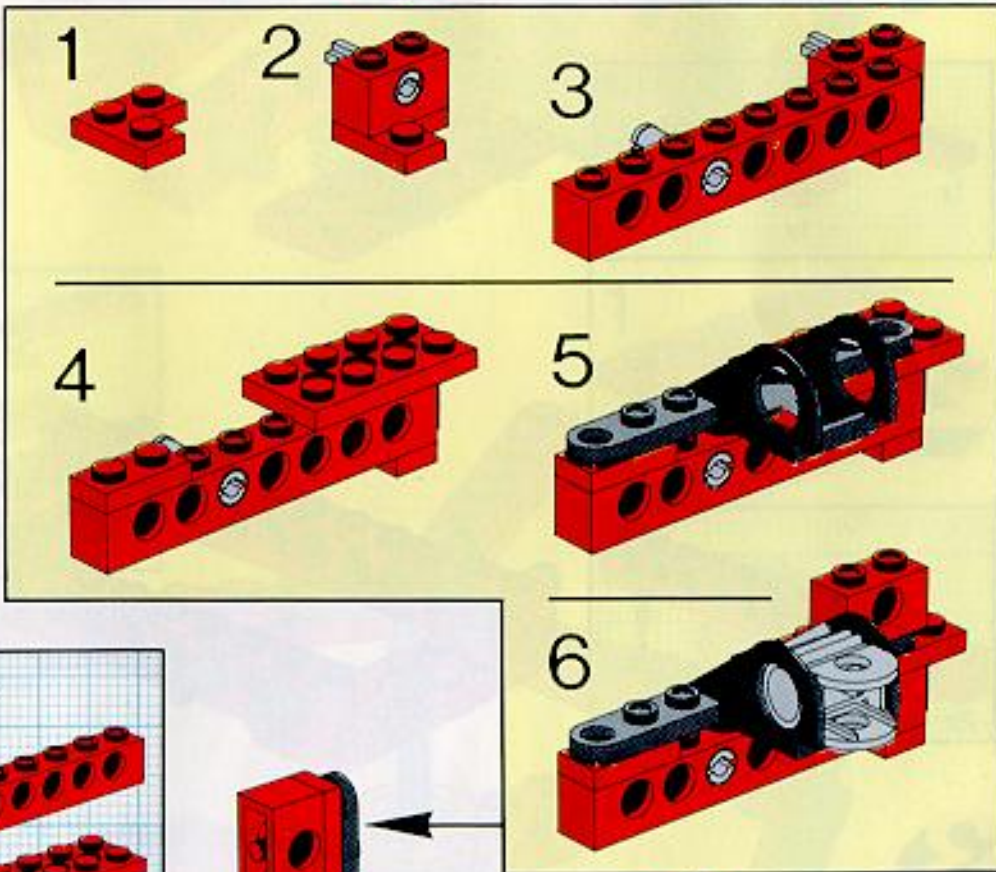
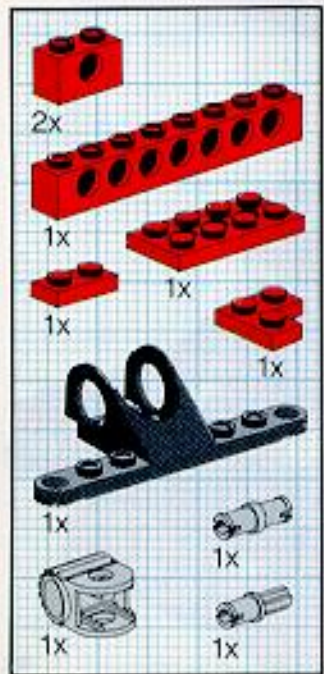




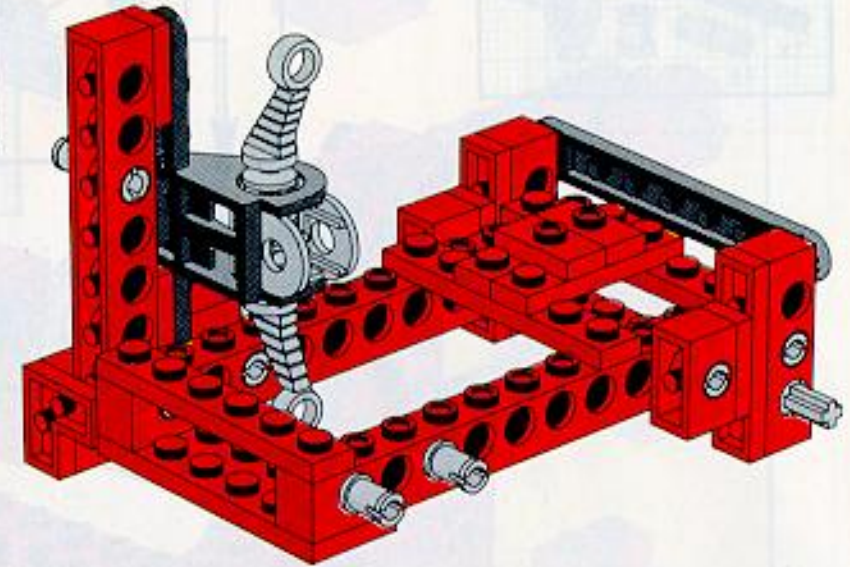
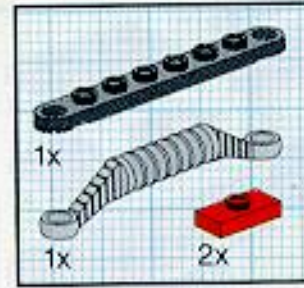
# 4



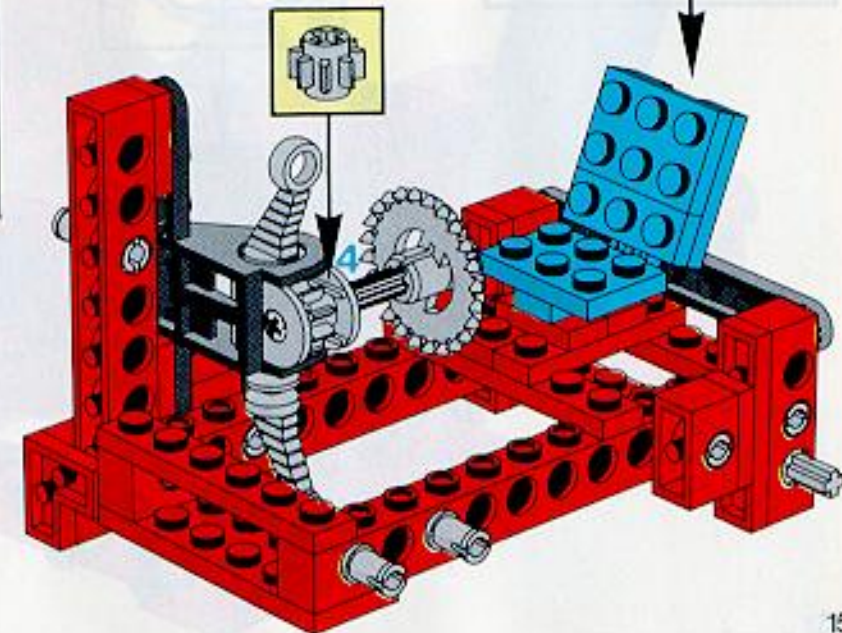
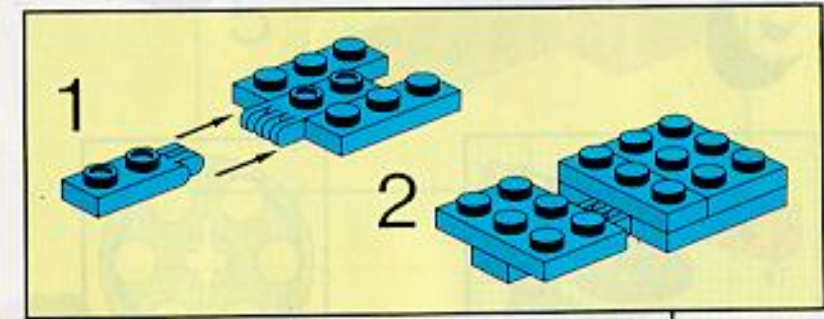
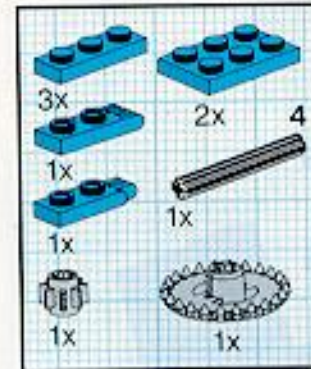
# 5



# 6

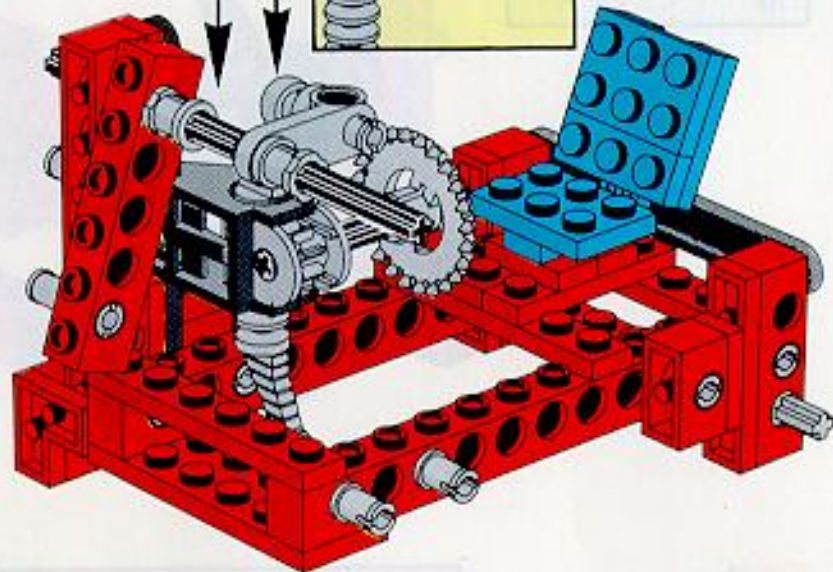
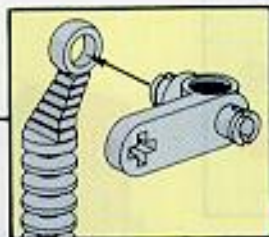
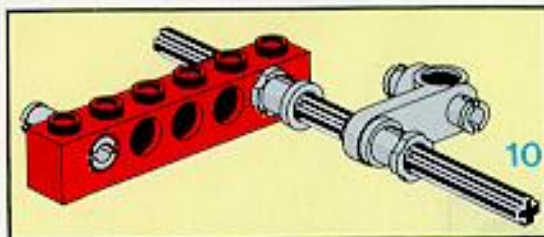
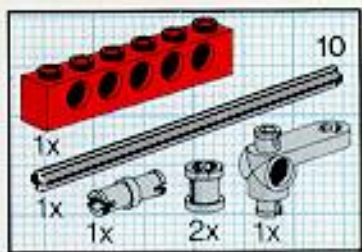


# 7

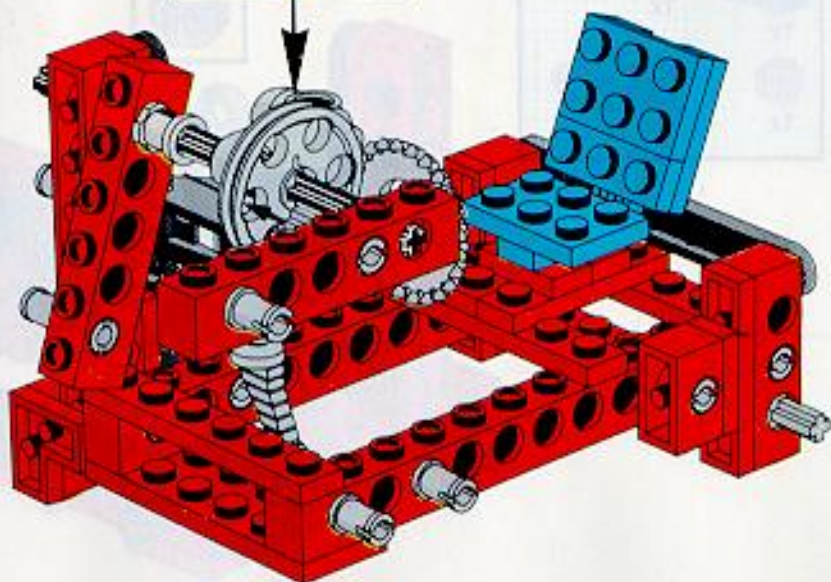
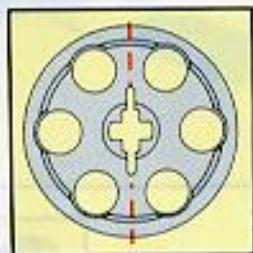
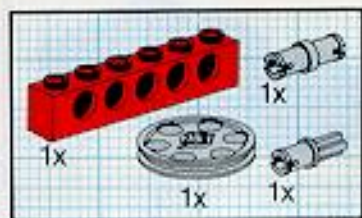




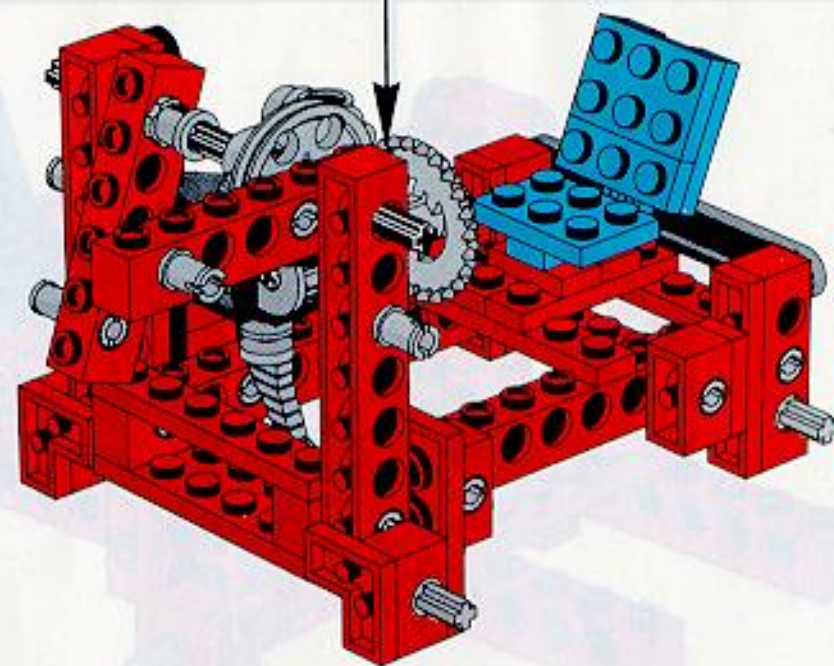
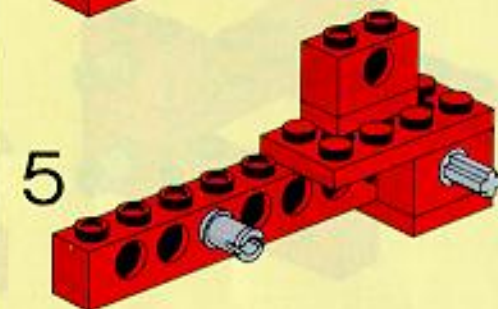
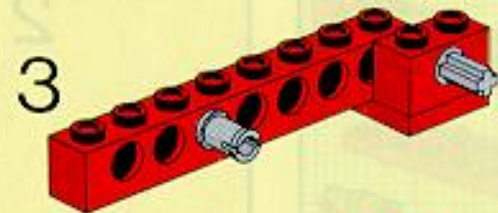
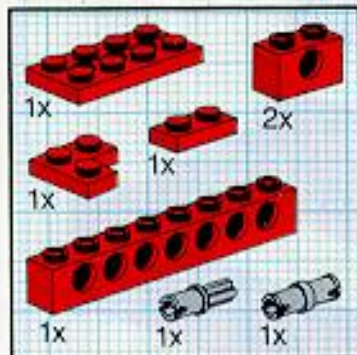
# 8



# 9

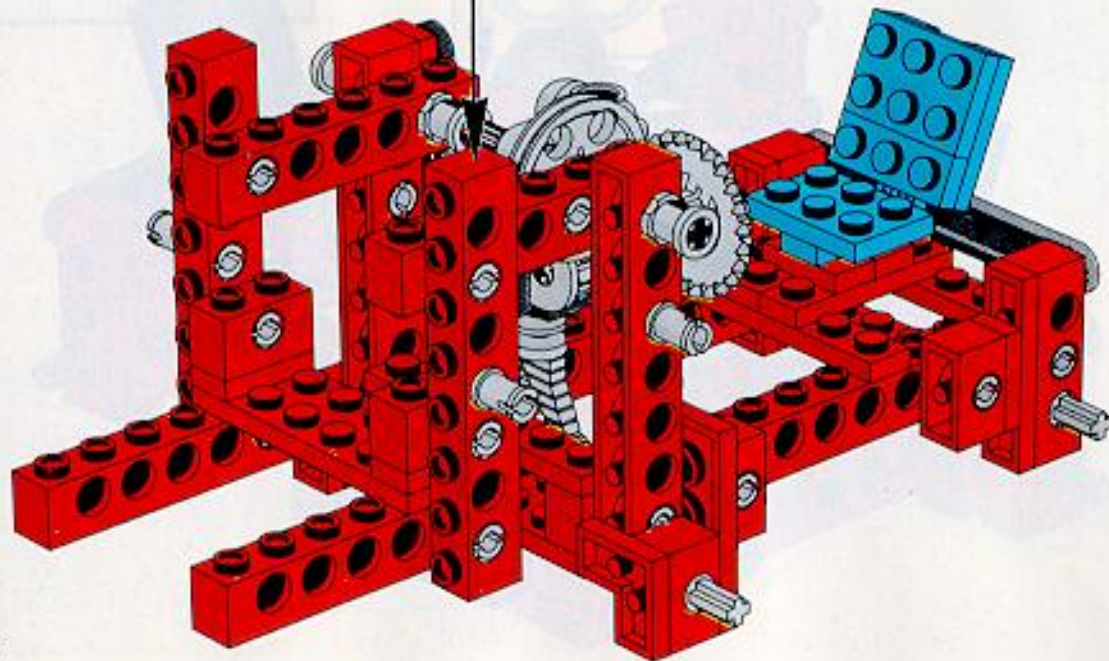
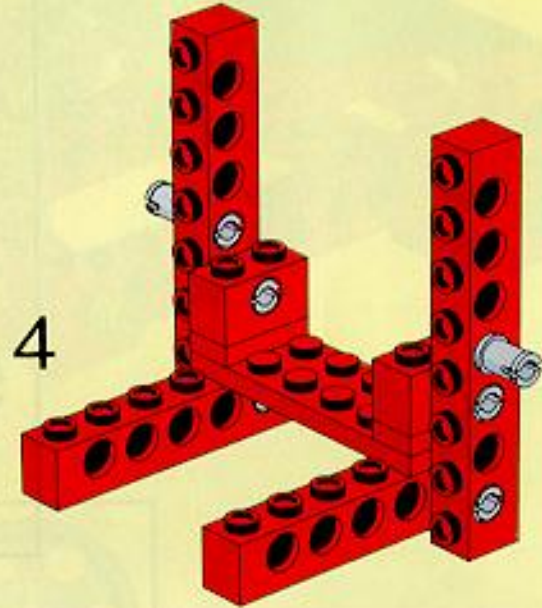
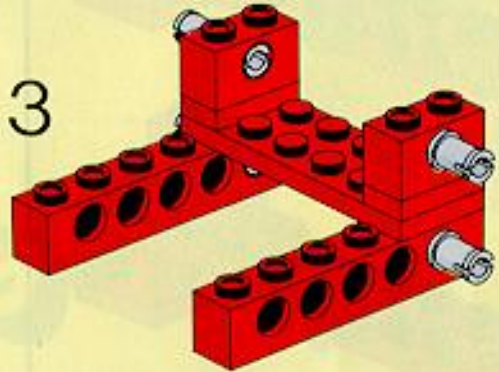
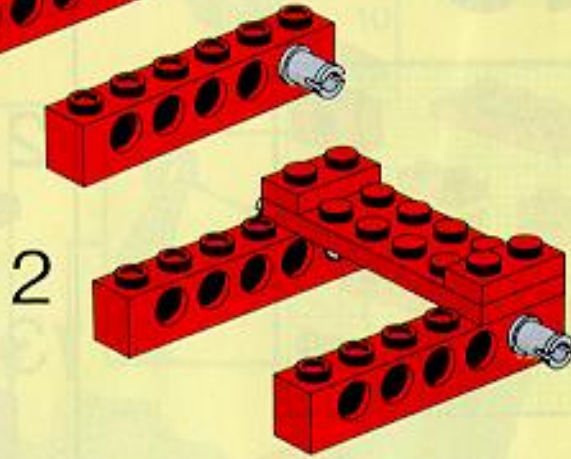
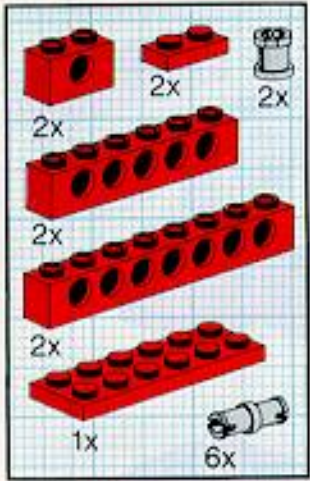


# 10

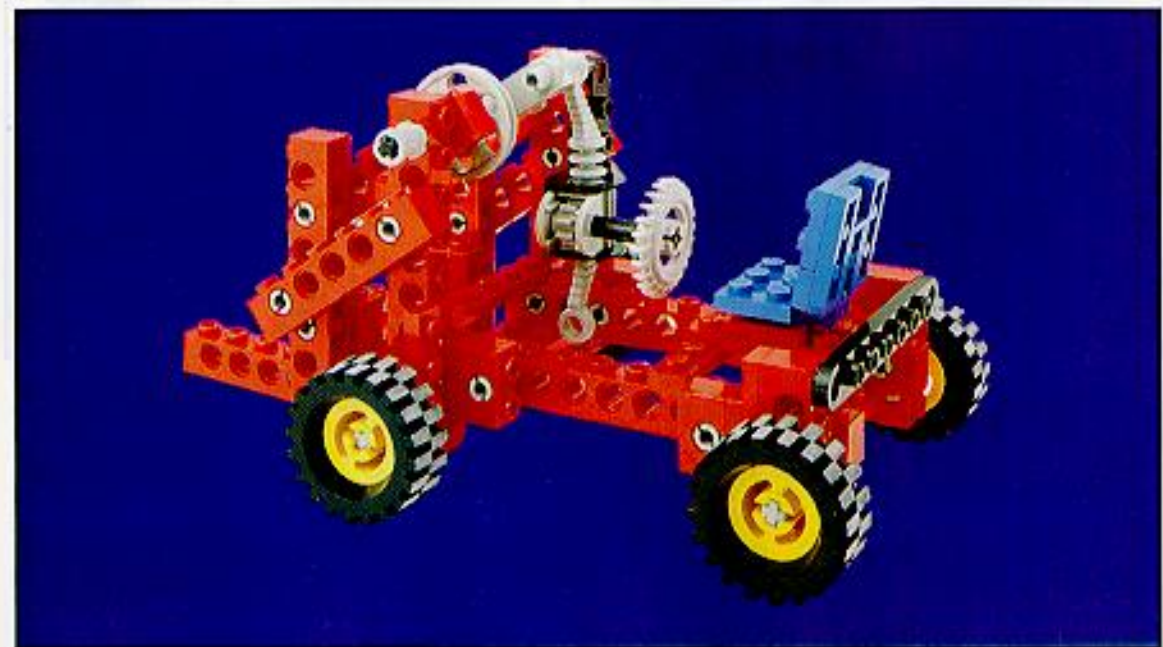
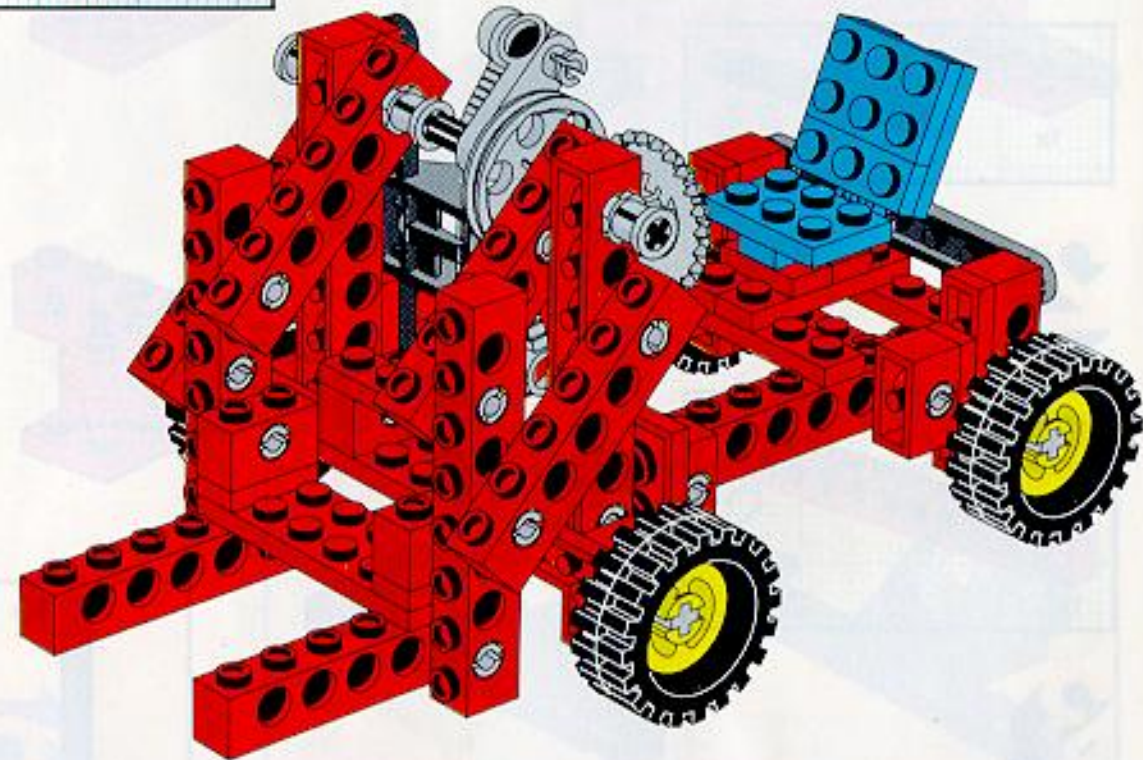
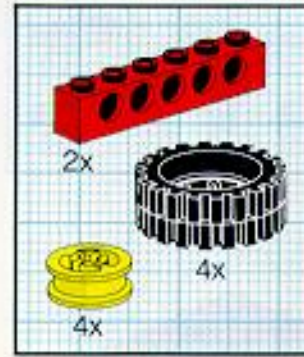




# 11



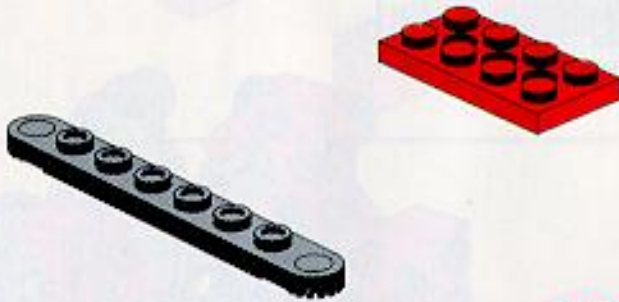
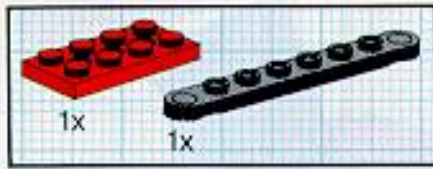
# 12



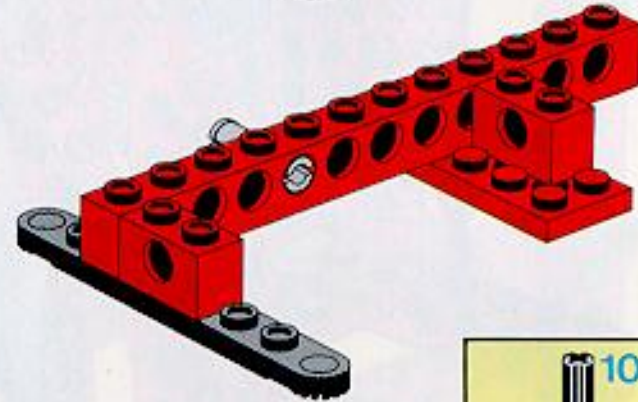
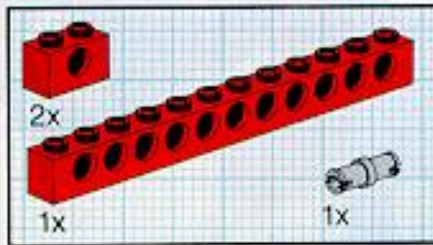




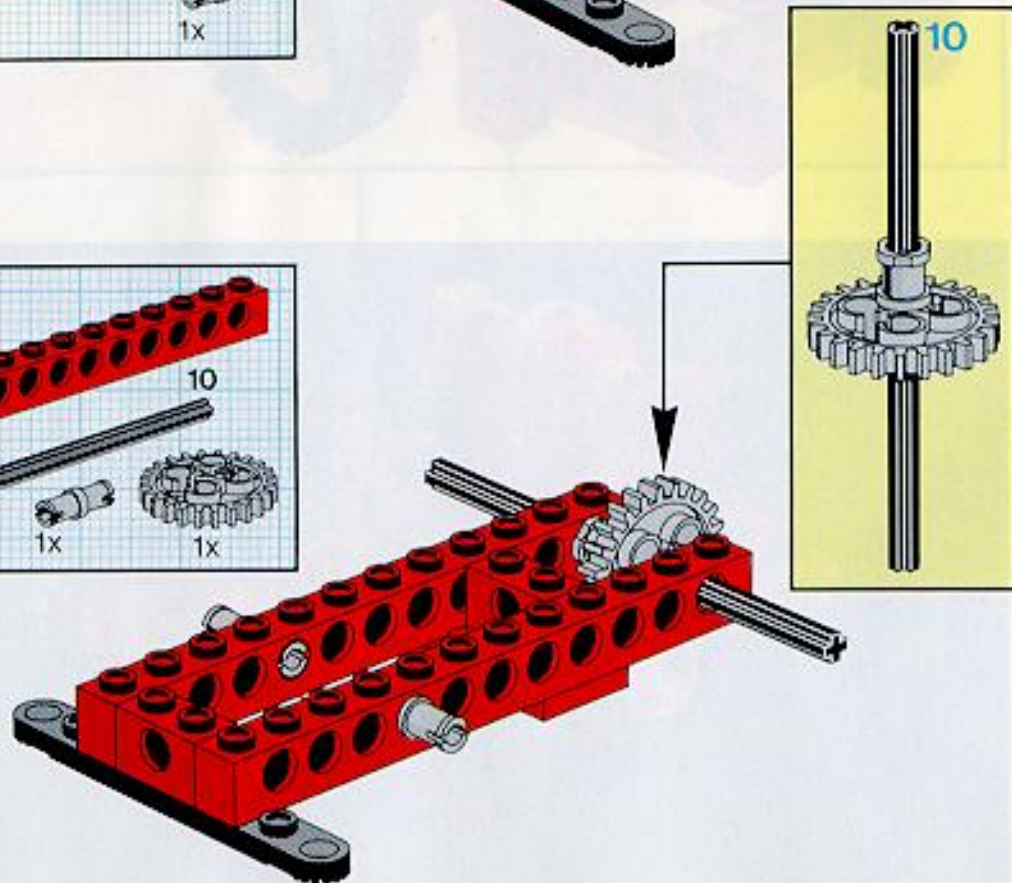
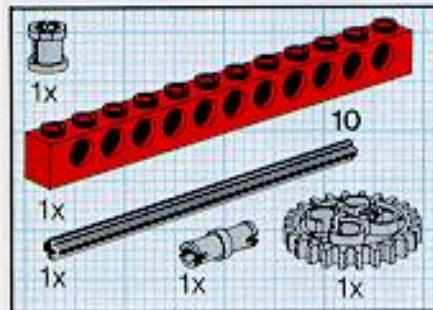
1



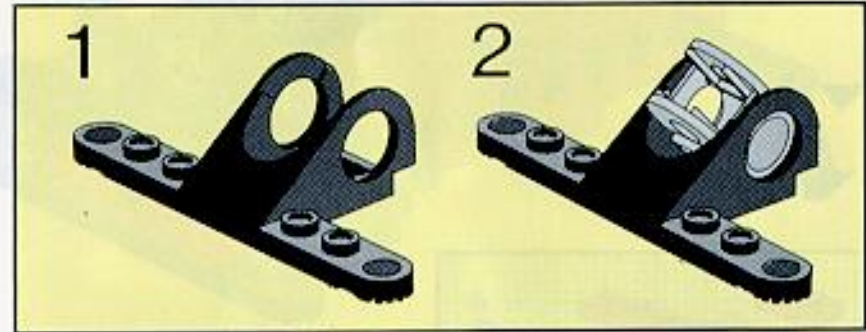
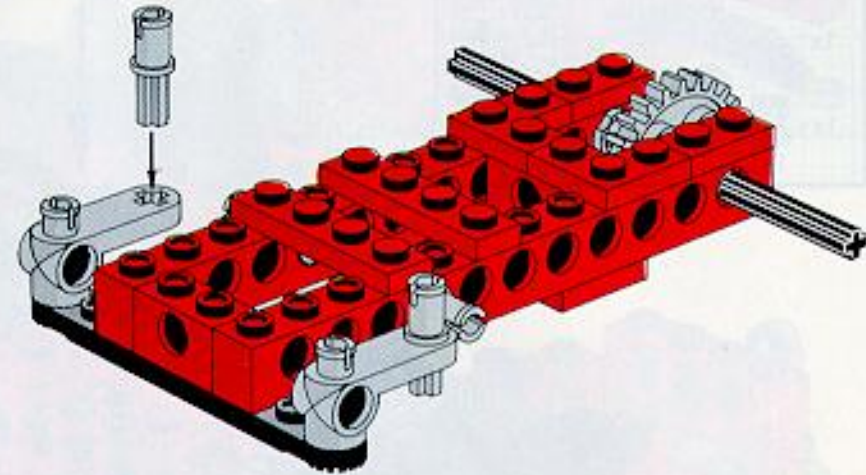
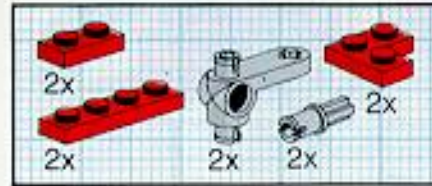
2



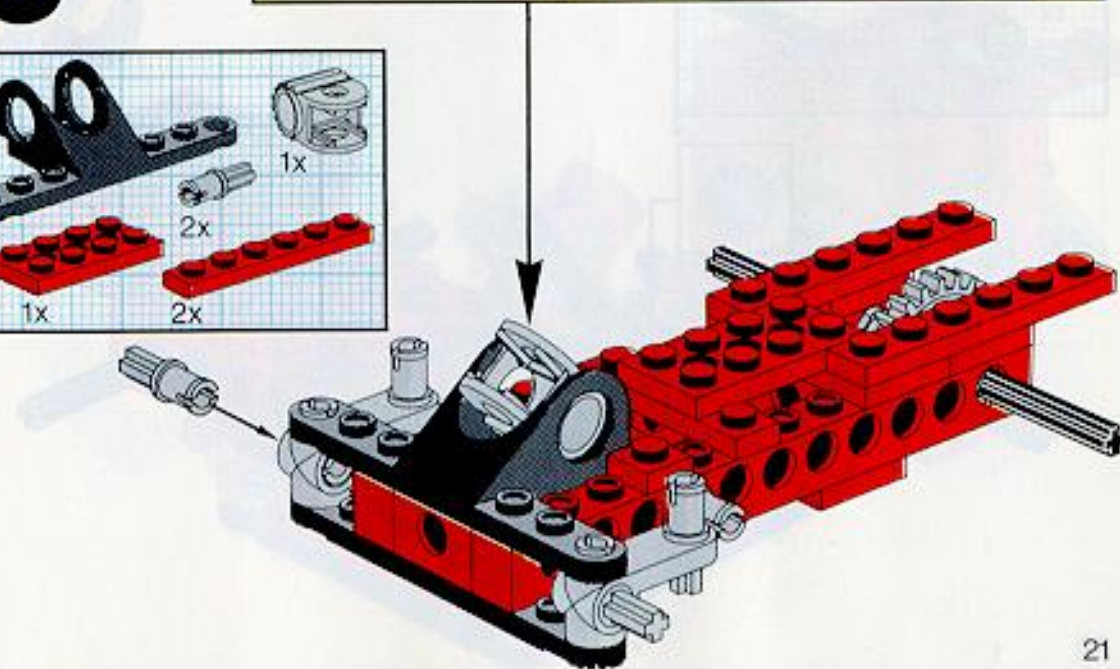
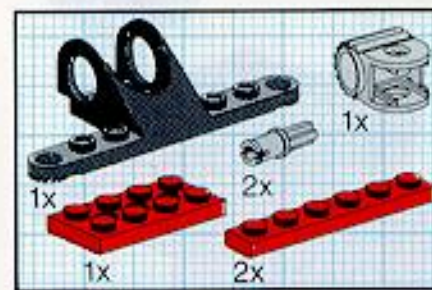
3



4



5

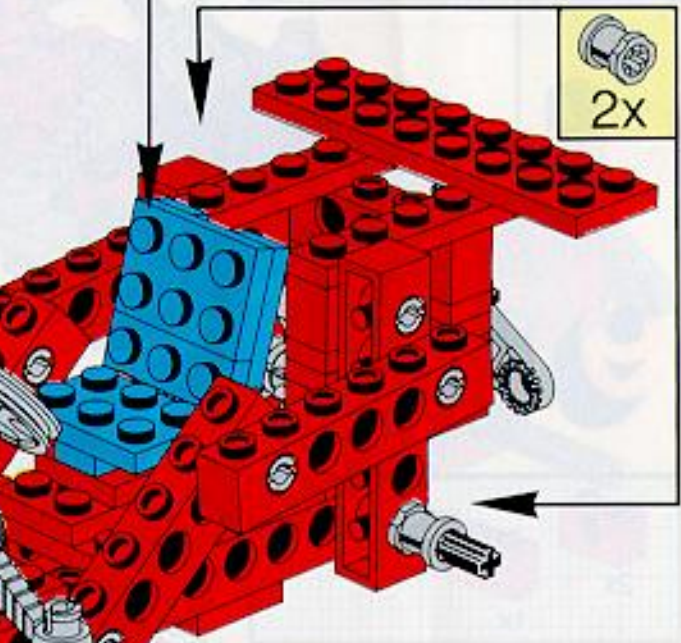
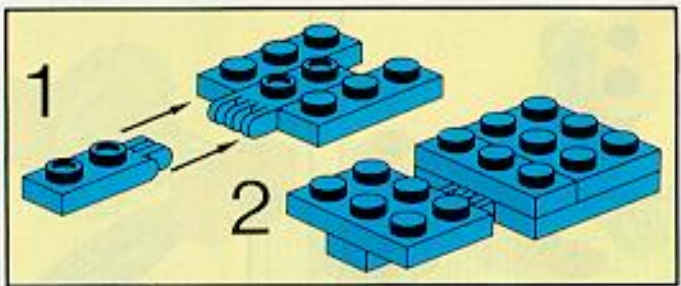
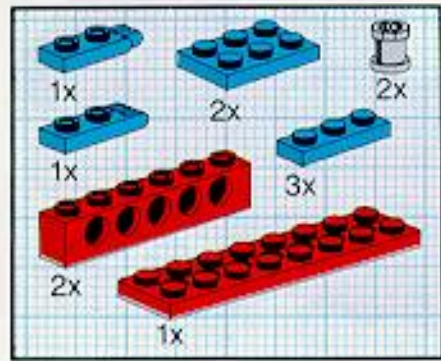




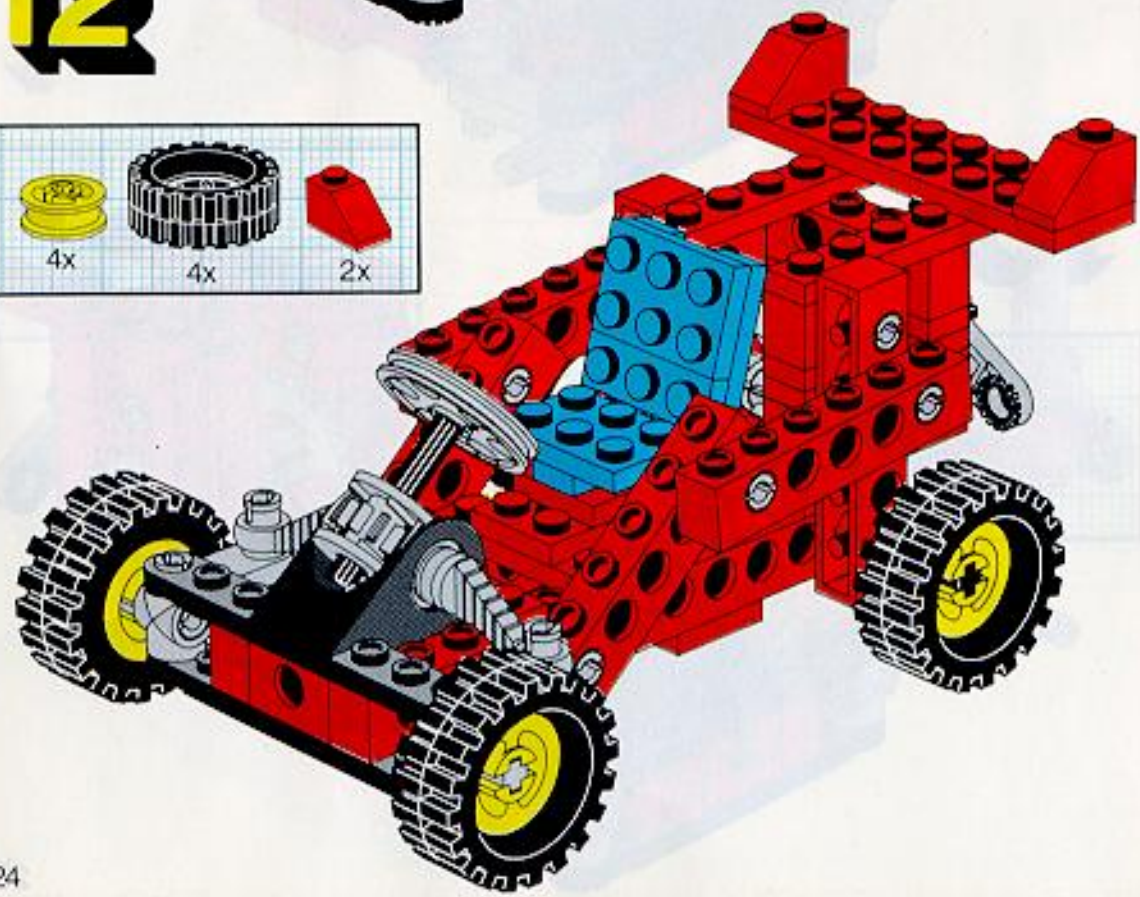




# 11



# 12



# 1

