

LEGO

Technic

8856




Wichtige Tips:


 Achte stets darauf, daß sich alle Achsen leicht drehen.

- Überzeuge Dich, daß Zahnräder und Buchsen ausreichend Spiel zum benachbarten Lagerelement (z. B. Lochbalken) haben (siehe Abbildungen A + B).
 - Vergewissere Dich während des Bauens, daß alle Bewegungen leichtgängig funktionieren (z. B. Kurbelwellen).
- Die Abbildungen C–I zeigen einige nützliche Tips zum Trennen der TECHNIC Elemente (die Abbildungen zeigen auch Elemente, die nicht unbedingt Bestandteil dieses Kastens sind).

Consigli utili:


 Sistema tutti gli assali in modo che possano muoversi liberamente.

- Fai attenzione che gli ingranaggi e le boccole non siano troppo vicini agli altri elementi. (Vedi figure A e B).
 - Controlla le funzioni regolarmente durante l'assemblaggio per verificare che funzionino.
- Osserva le illustrazioni C–I. Offrono utili informazioni su come separare gli elementi. (Alcuni elementi illustrati possono non essere inclusi nella tua confezione).

 Avant de commencer, lis ces quelques conseils : Ajuste bien les axes pour qu'ils tournent en douceur.


- Attention que les engrenages et les bagues ne soient pas trop serrés contre les briques (Regarde les illustrations A et B).
- Fais des essais régulièrement pendant le montage pour t'assurer que les mouvements fonctionnent normalement. Examine attentivement les illustrations C à I. Elles te donnent des informations utiles sur la manière de séparer les éléments. (Attention : certaines pièces illustrées ici peuvent ne pas faire partie de ta boîte).

Belangrijke tips:

 Verzeker je ervan dat alle assen soepel draaien. – Schuif tandwielen en klembusjes niet te dicht tegen de techniebalken aan (zie afbeelding A en B).


- Test tijdens het bouwen regelmatig alle functies om je ervan te verzekeren dat alles goed werkt.
- Bekijk alle afbeeldingen C t/m I. Hierop staat afgebeeld hoe je bepaalde elementen uit elkaar kunt halen. (Het is mogelijk, dat niet alle afgebeelde elementjes in jouw doos voorkomen).

Algunos buenos consejos :

 Ajusta bien todos los ejes para que funcionen de una manera suave.

- Asegúrate de que los ladrillos no estén demasiado cerca de las vigas (véanse las instrucciones A y B).
 - Prueba las funciones regularmente durante el montaje para asegurar que funcionen.
- Estudia las instrucciones de montaje C–I. Estas instrucciones incluyen información que le ayudará la hora de separar los elementos. (Algunos de los elementos mostrados aquí no estarán incluidos en tu caja TECHNIC).

Gode tips:

 Justér alle aksler, så de går let. – Pas på, at tandhjul og bøsninger ikke sidder for tæt på bjælkerne (se tegning A & B).


- Afprøv funktionerne regelmæssigt under bygningen for at sikre, at de fungerer.

Se tegning C–I, som viser, hvordan man skiller elementerne ad. (Det er ikke sikkert, at alle de viste elementer er i din model.)

Building Hints:


 Adjust all axles so they run smoothly.

- Ensure that gear wheels and bushes are not too close to the beams (see illustrations A and B).
 - Check technical functions regularly during assembly of the model.
- Illustrations C–I give useful information on how to separate elements. (Some elements shown may not be included in your set.)


 Kiinnitä akselit niin, että ne pyörivät hyvin ja esteettä.

- Huolehdi siitä, etteivät hammaspyörät ja holkit ole liian lähellä palikkaa (katso kuvia A ja B).
 - Kokeile toimintoja aina välillä kokoonpanon aikana varmistuaksesi, että kaikki toimii niin kuin pitää.
- Tutki kuvia C–I. Saat niistä hyödyllistä tietoa elementtien irrottamisesta toisistaan. (Kaikki kuvissa näkyvät elementit eivät välttämättä sisälly tähän rasiaan.)


 Några goda råd om din TECHNIC modell:

 Justera alla axlar så att de fungerar utan att ta emot någonstans.

- Se till att kugghjul och bussningar inte sitter för nära klossarna (se bilderna A och B).
 - Prova funktionerna då och då under monteringen för att vara säker på att de fungerar.
- Studera bilderna C–I. Där hittar du viktig information om hur du skall ta isär de olika delarna. (Det kan hända att din ask inte innehåller alla de delar som visas på bilderna.)

 Alguns bons conselhos: Ajuste bem todos os eixos para que se movam facilmente.

- Tenha cuidado para que as rodas dentadas e chumaceiras não fiquem demasiado perto das pedras (veja ilustrações A e B).
 - Ensaie regularmente as funções durante a montagem para se certificar que funcionam.
- Estude as ilustrações C–I. Elas incluem informações úteis sobre a maneira de separar os elementos. (Alguns dos elementos que se mostram podem não fazer parte do seu conjunto).

 Προσαρμόστε όλους τους άξονες των τροχών έτσι ώστε να κινούνται ομαλά.

- Προσέχετε οι τροχοί και οι σύνδεσμοι να μη βρῆσκονται πολύ κοντά στα τουβλάκια (βλέπε εικονογράφηση A και)
- Ελέγχετε τακτικά τις λειτουργίες κατά τη διάρκεια της κατασκευής ώστε να είστε σίγουροι ότι δουλεύουν.

Μελετείστε τις εικονογραφήσεις C–I. Περιέχουν μερικές χρήσιμες πληροφορίες για το πως χωρίζονται τα στοιχεία. (Μερικά στοιχεία που φαίνονται εδώ μπορεί να μὴν περιέχονται στο δικό σας κουτί.)

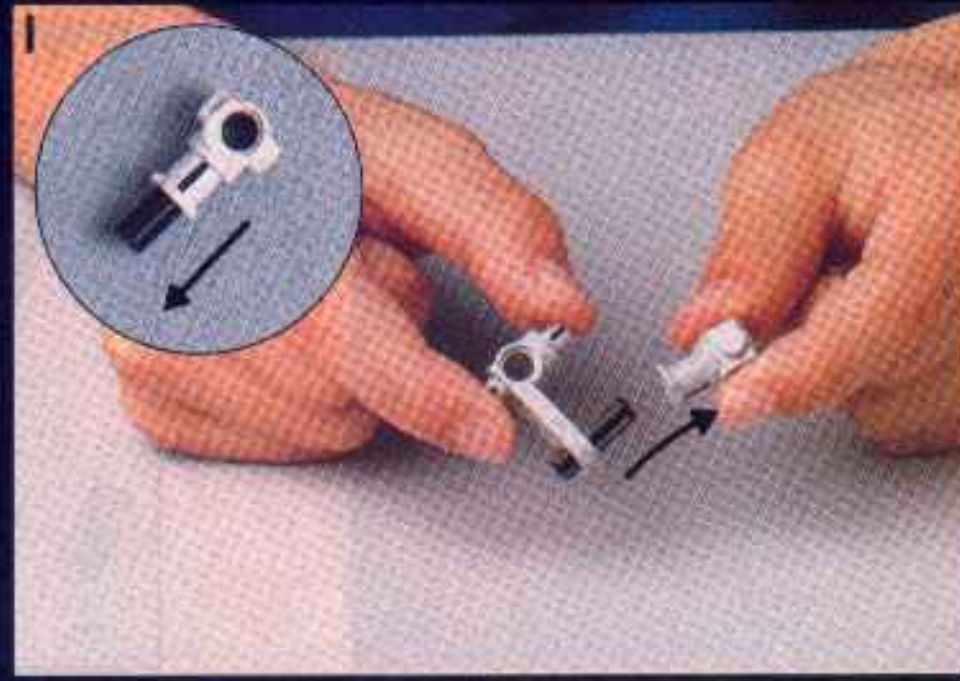
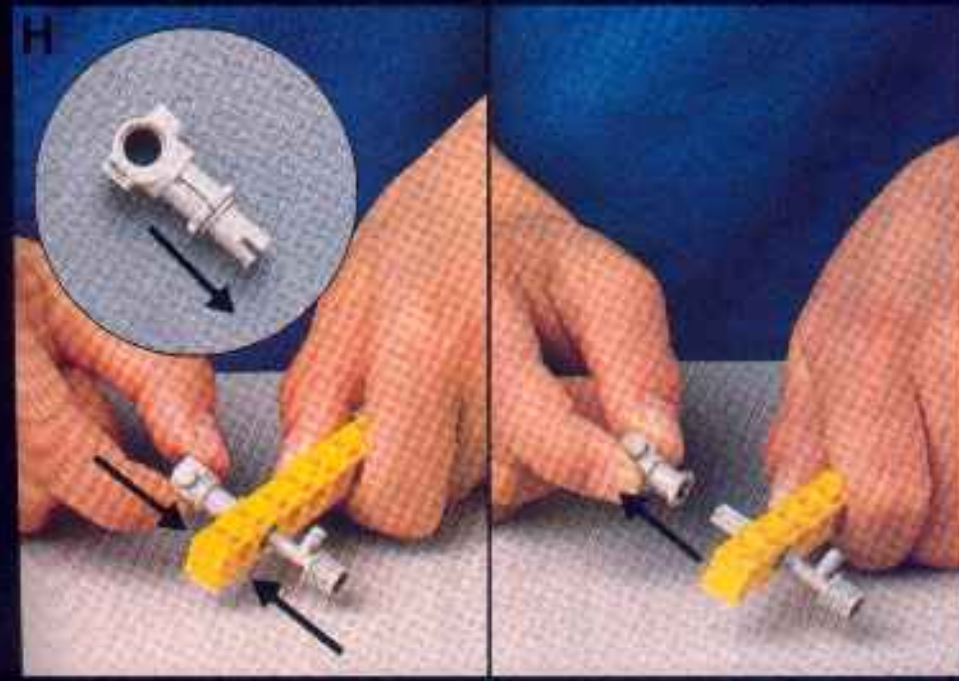
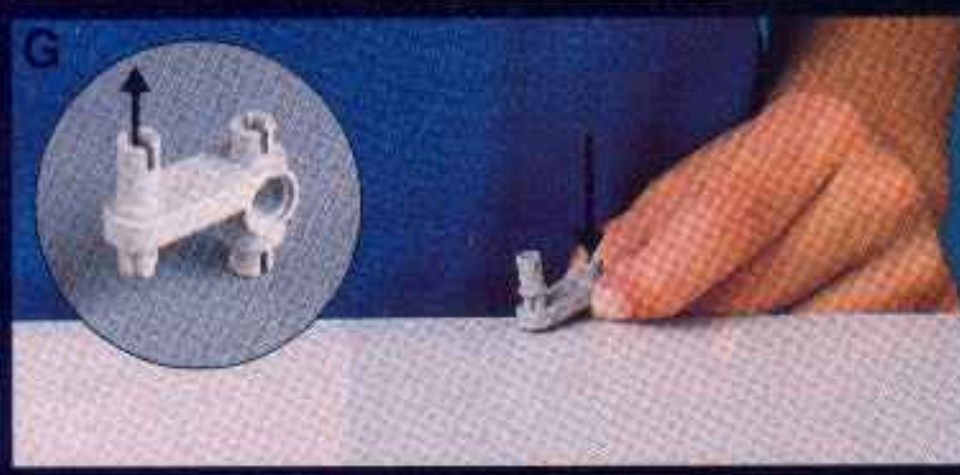
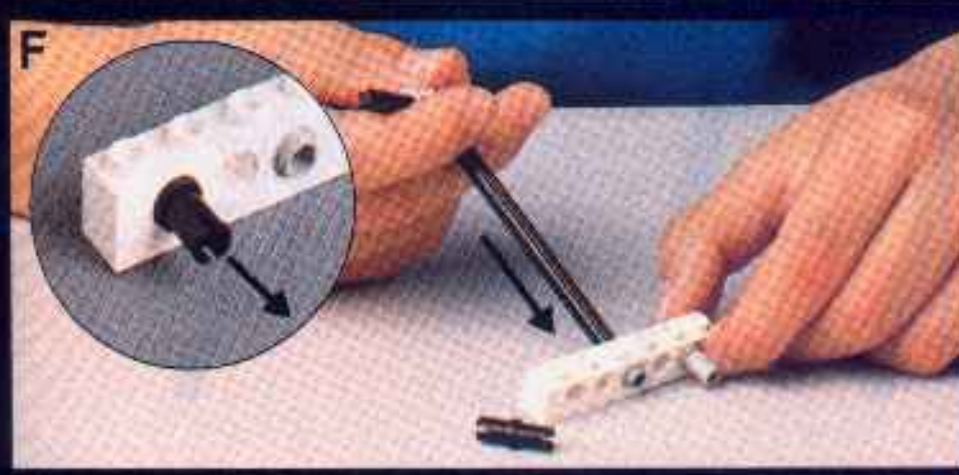
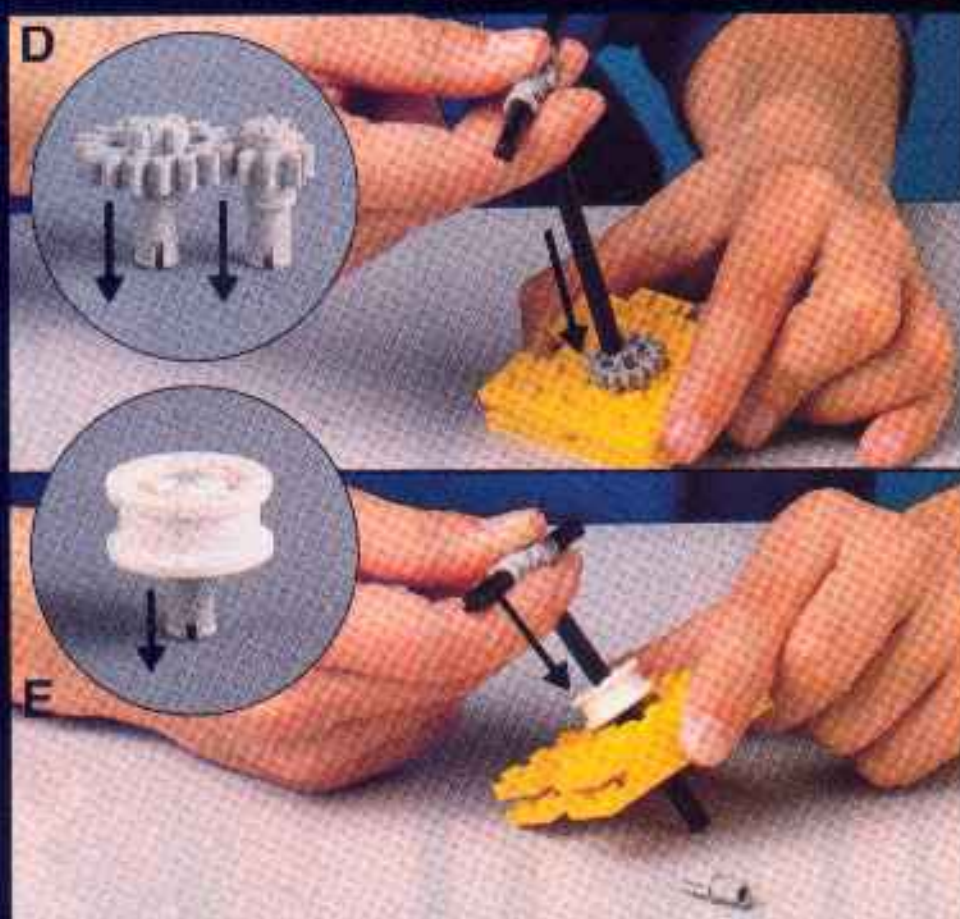
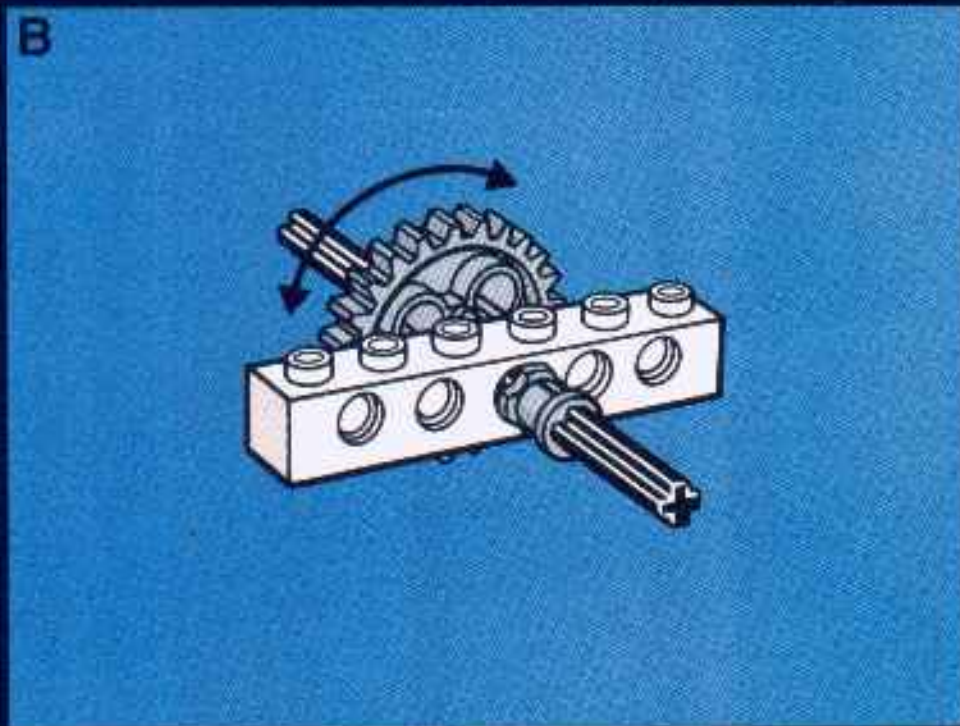
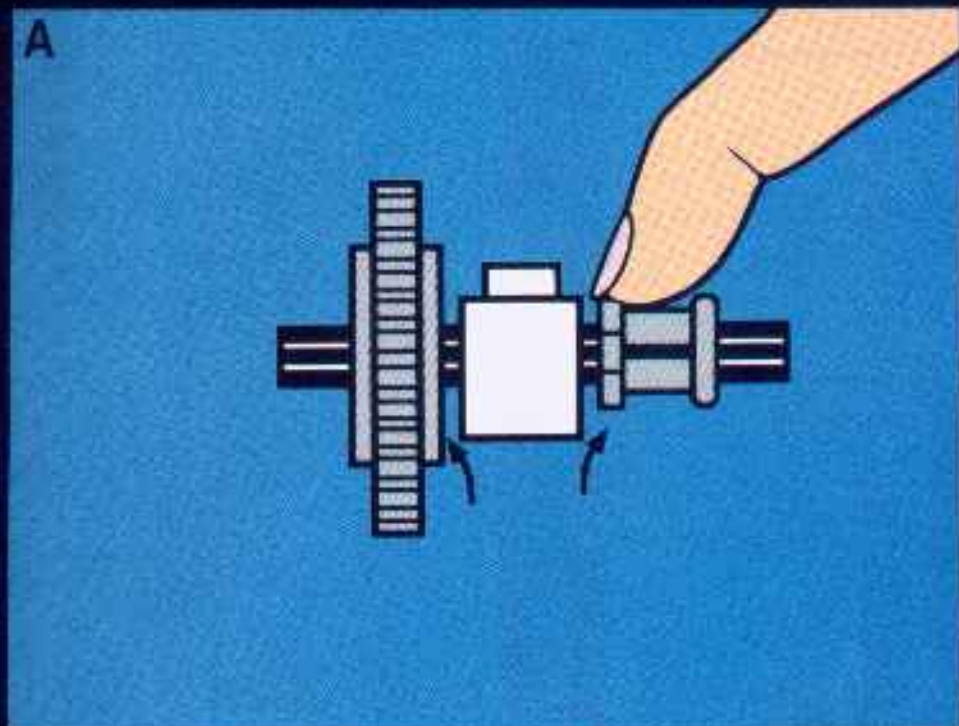
 レゴ・テニクをお買上げいただきありがとうございます。組み立てる前に次の注意事項をお読みください。

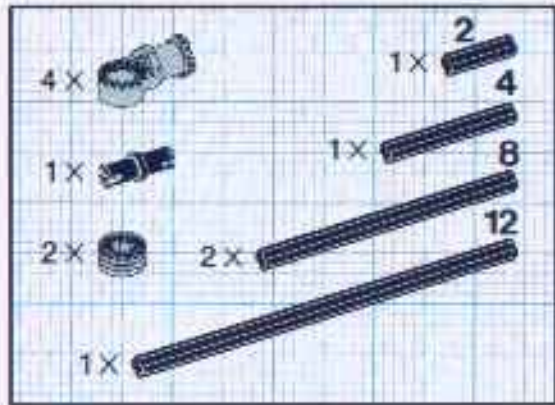
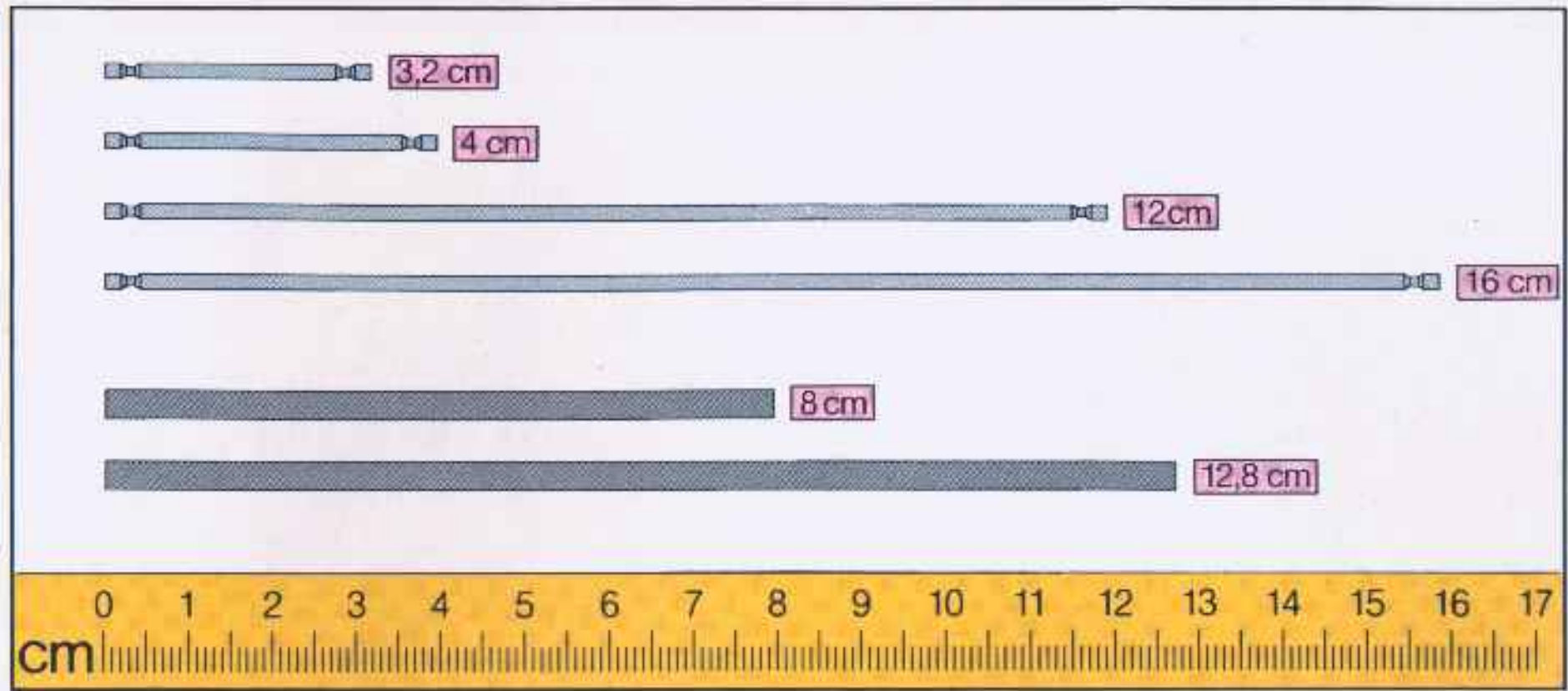
- モデルの機械的な機能に注意してください。
- 軸棒がすべてスムーズに動くように取り付けてください。
- ギアとストッパーはあまりブロックにくっつけて取り付けないようにしてください(図のAとBを参考)
- 組み立てた部分が正しく動くかチェックしながら、モデルを組み立ててください。
- パーツのはずし方のヒントとして、図のC–Iを参考にしてください。(この説明図には、このセットに含まれない部品も参考として使われています。)

恭喜你已经拥有了这组最新的科技组模型。当你开始玩之前，请先参阅下列事项：

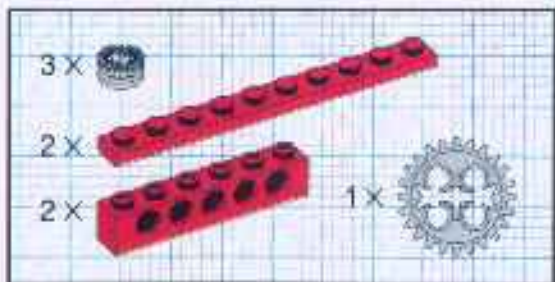
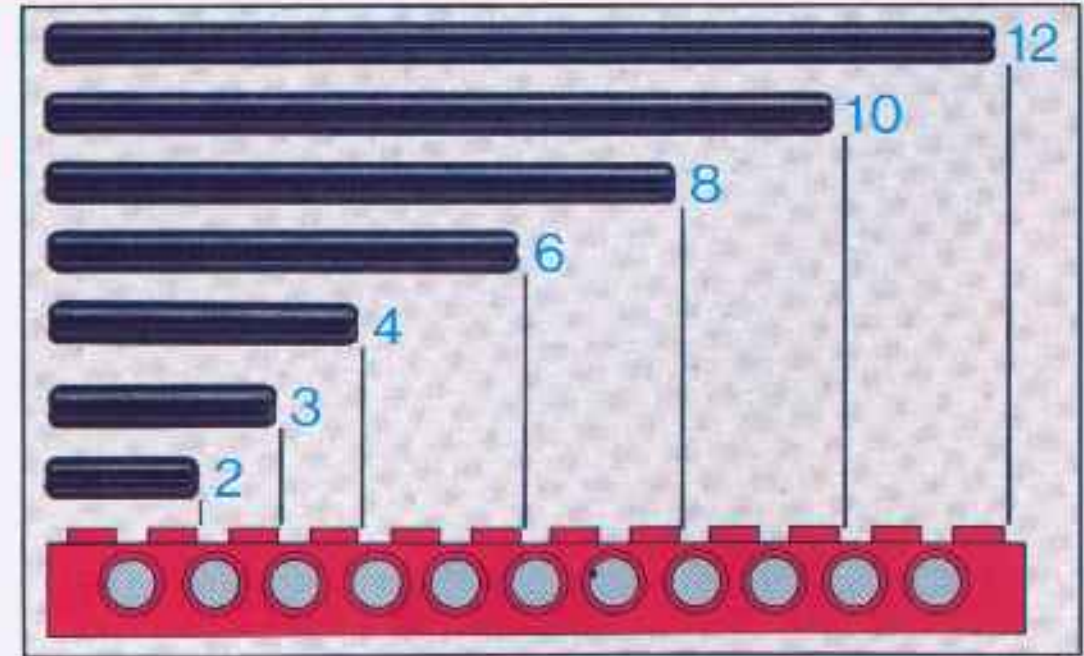
- 請特別注意這組模型的各項運作功能是否正當，尤其是要隨時調整軸軸，讓它能夠順利地運作。
- 注意大齒輪和軸棒不能太靠近顆粒。(請看圖A和B)
- 在裝配組合時，隨時測試一下，以確定其功能能夠運作。

請看圖C–I，圖中顯示了如何拆解這些組合零件的方法。(但圖中有些零件可能在你的模型裡並沒有)

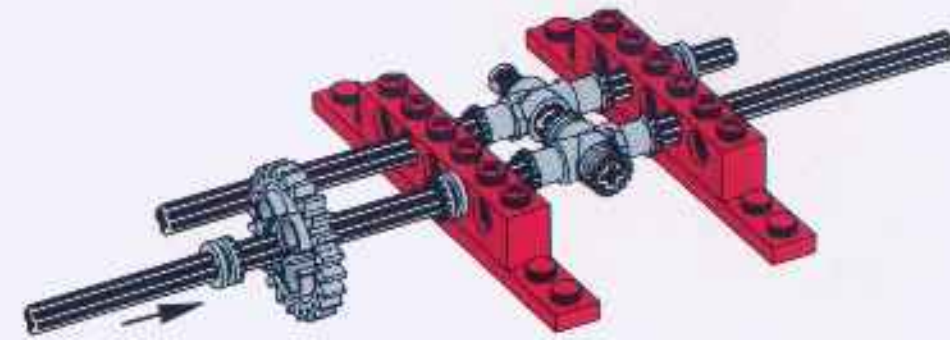




1

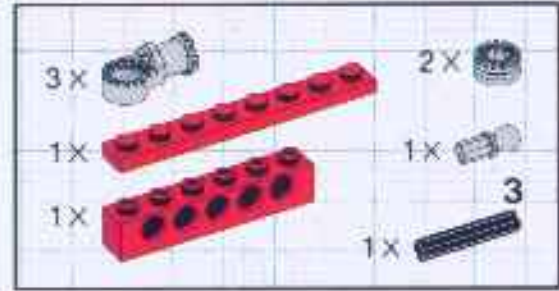
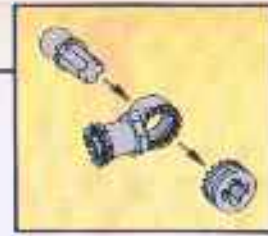
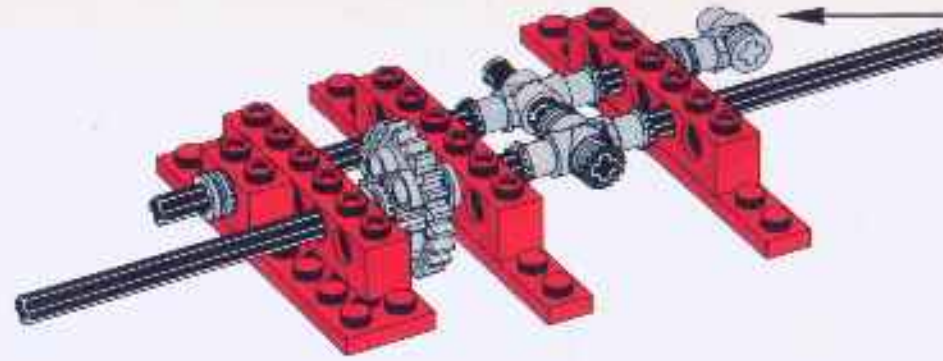


2

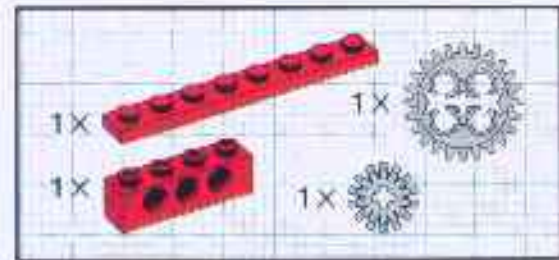
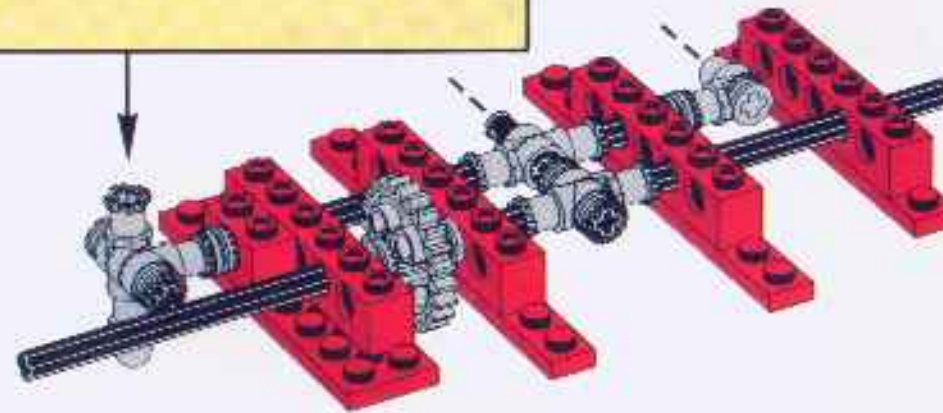
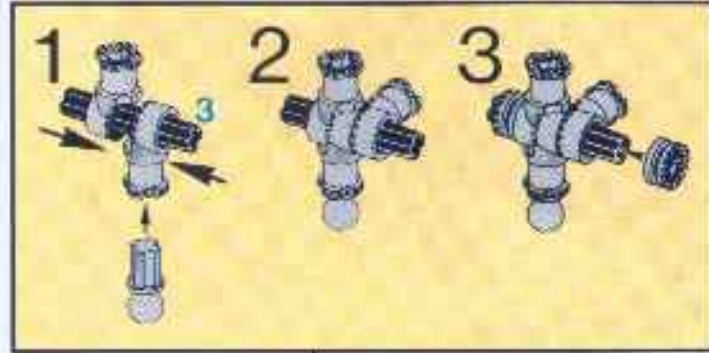




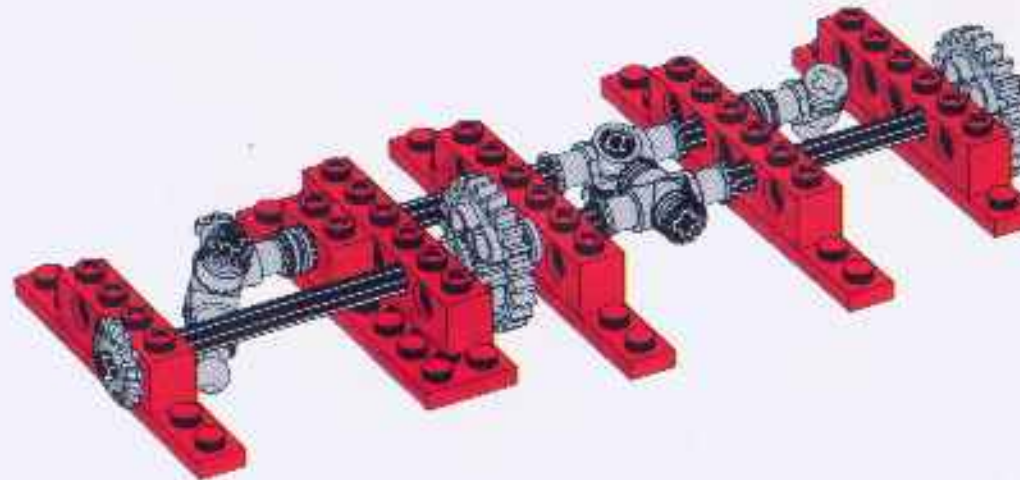
3



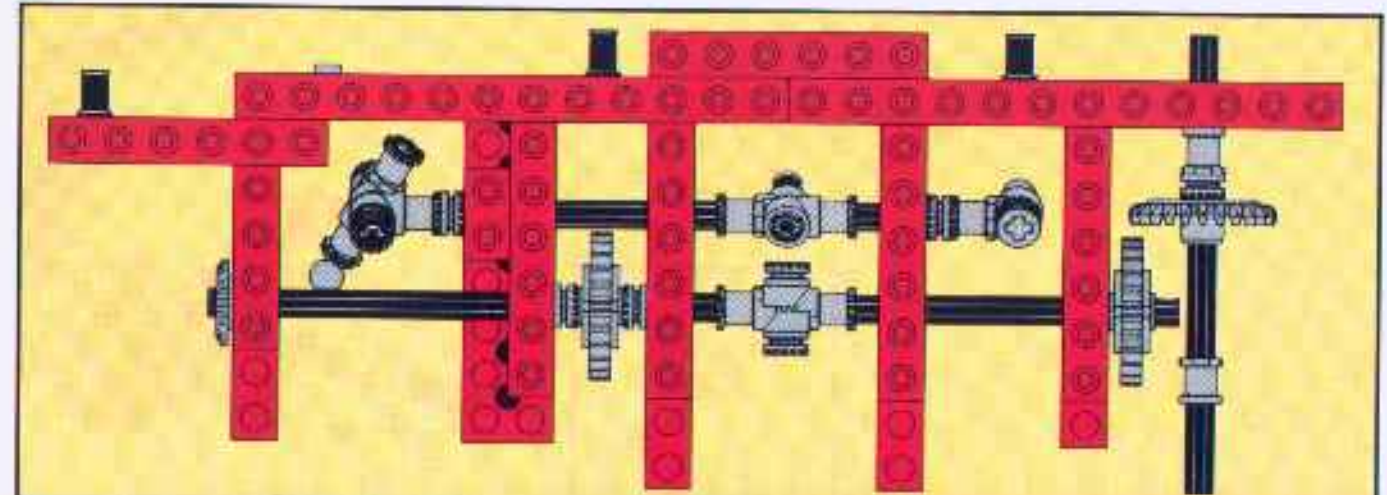
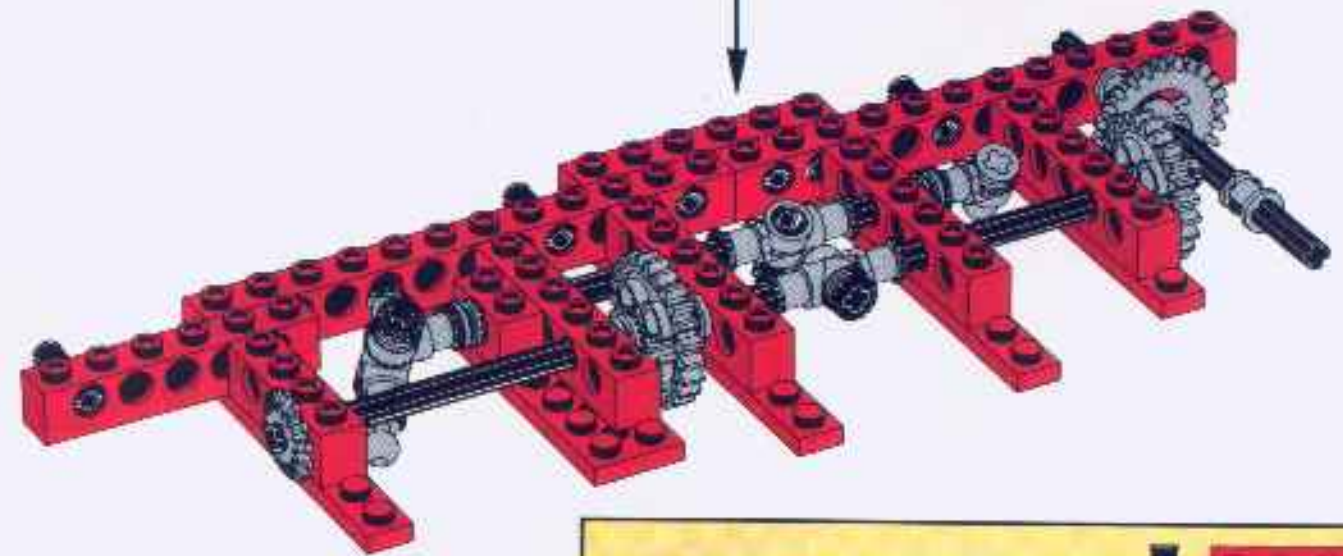
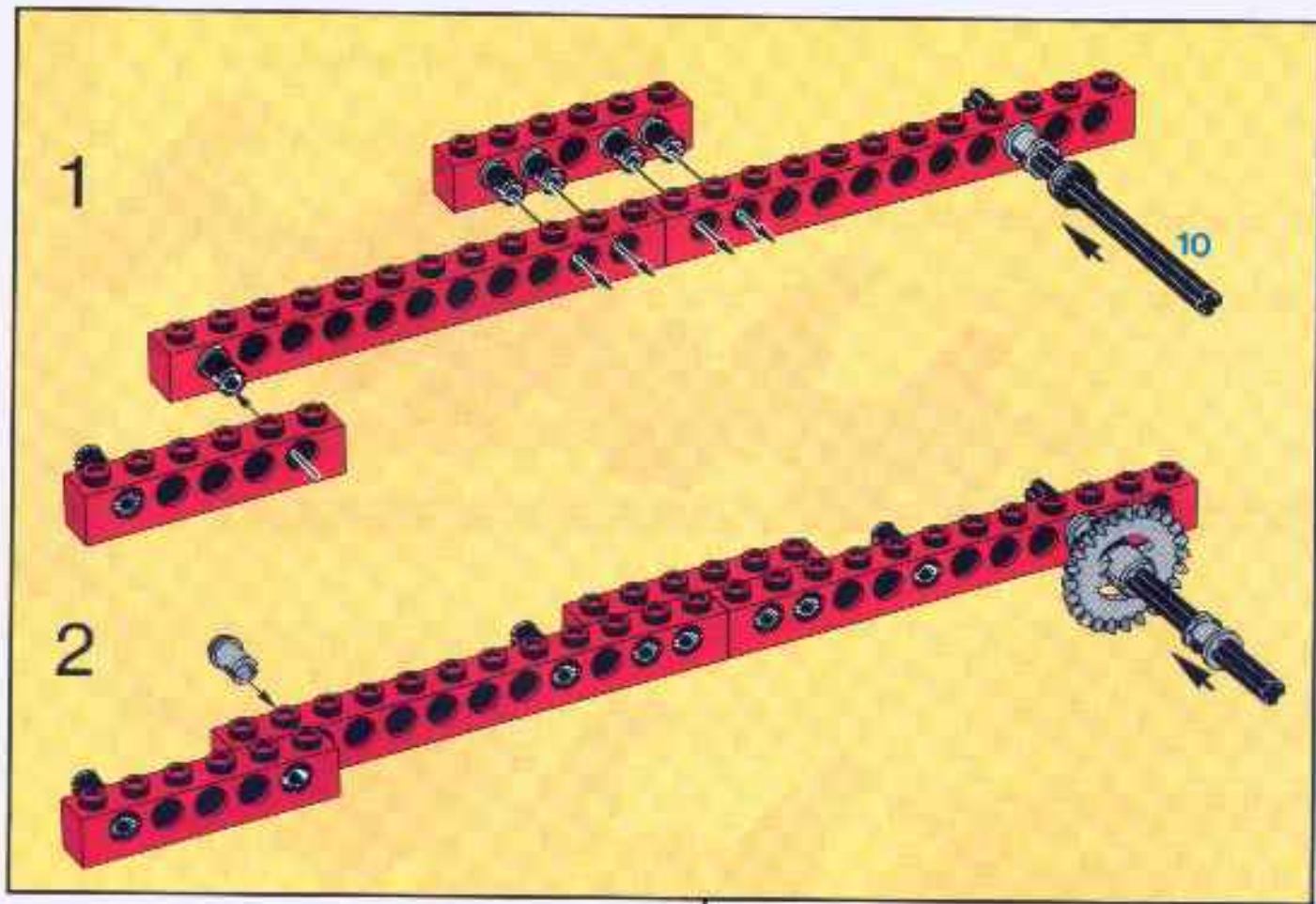
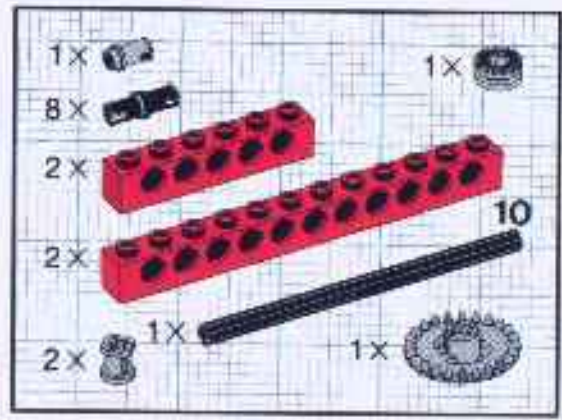
4



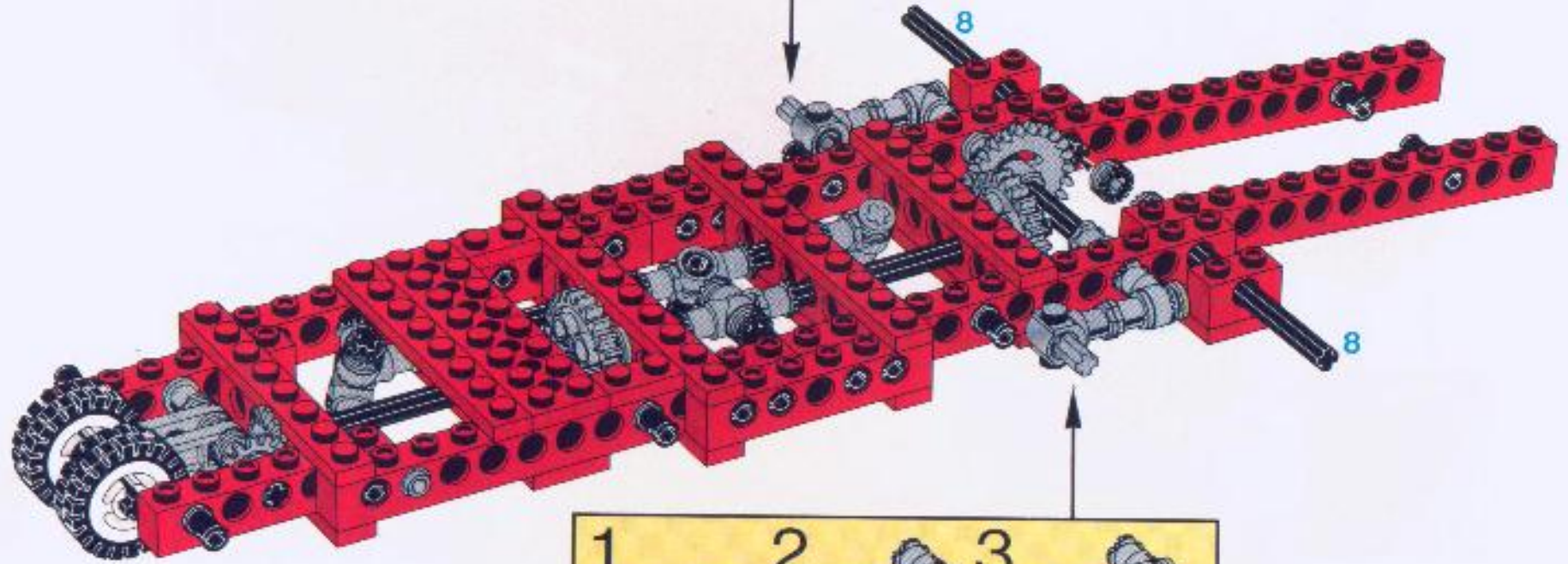
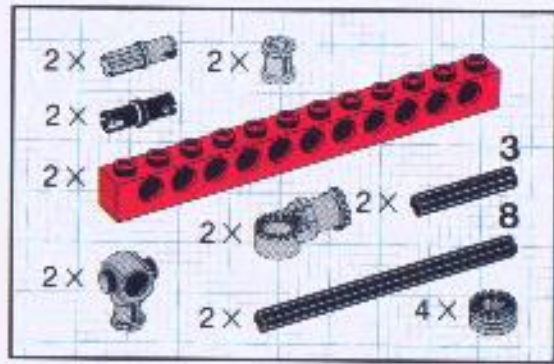
5



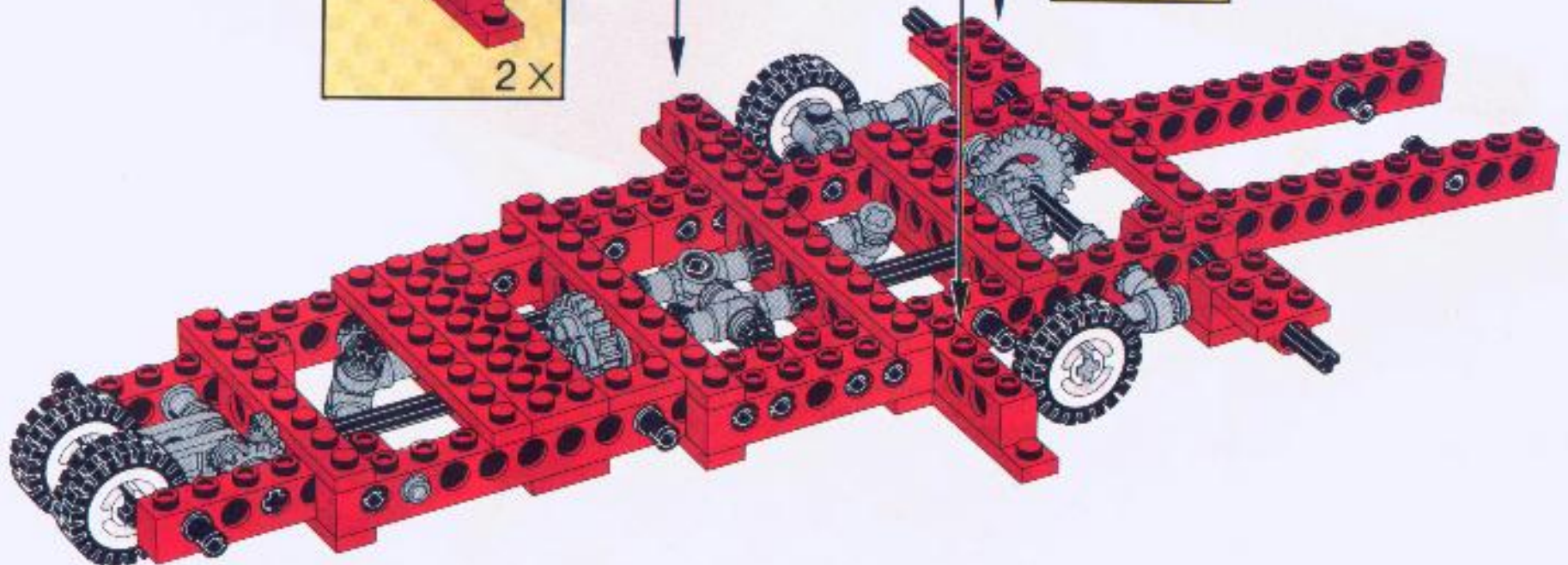
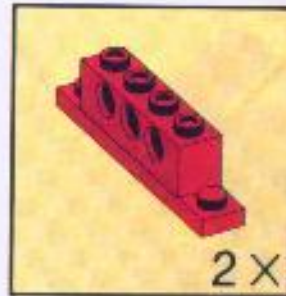
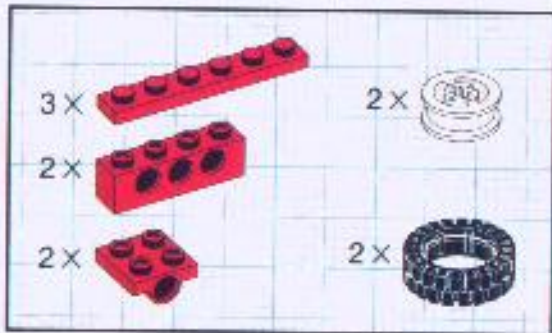
6









9

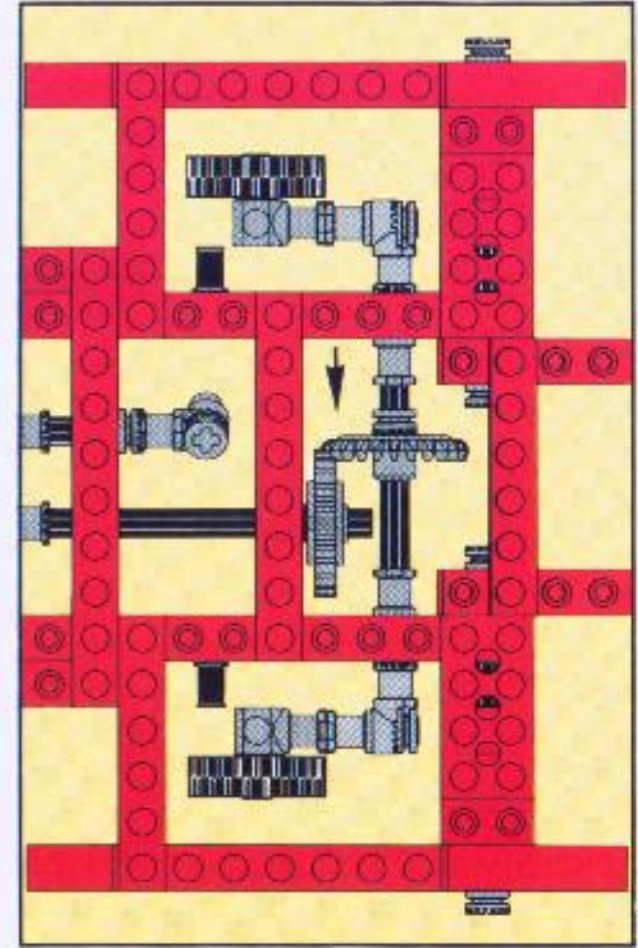
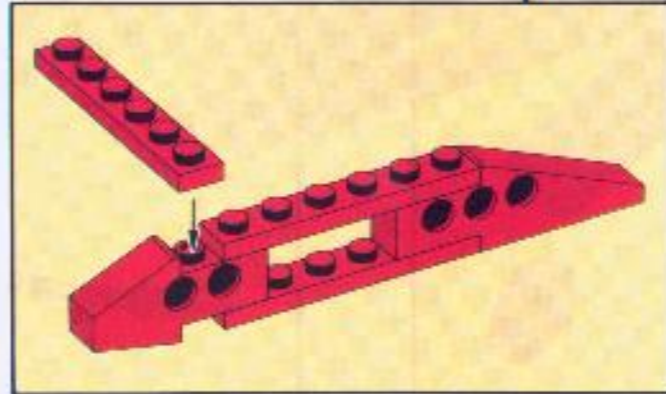
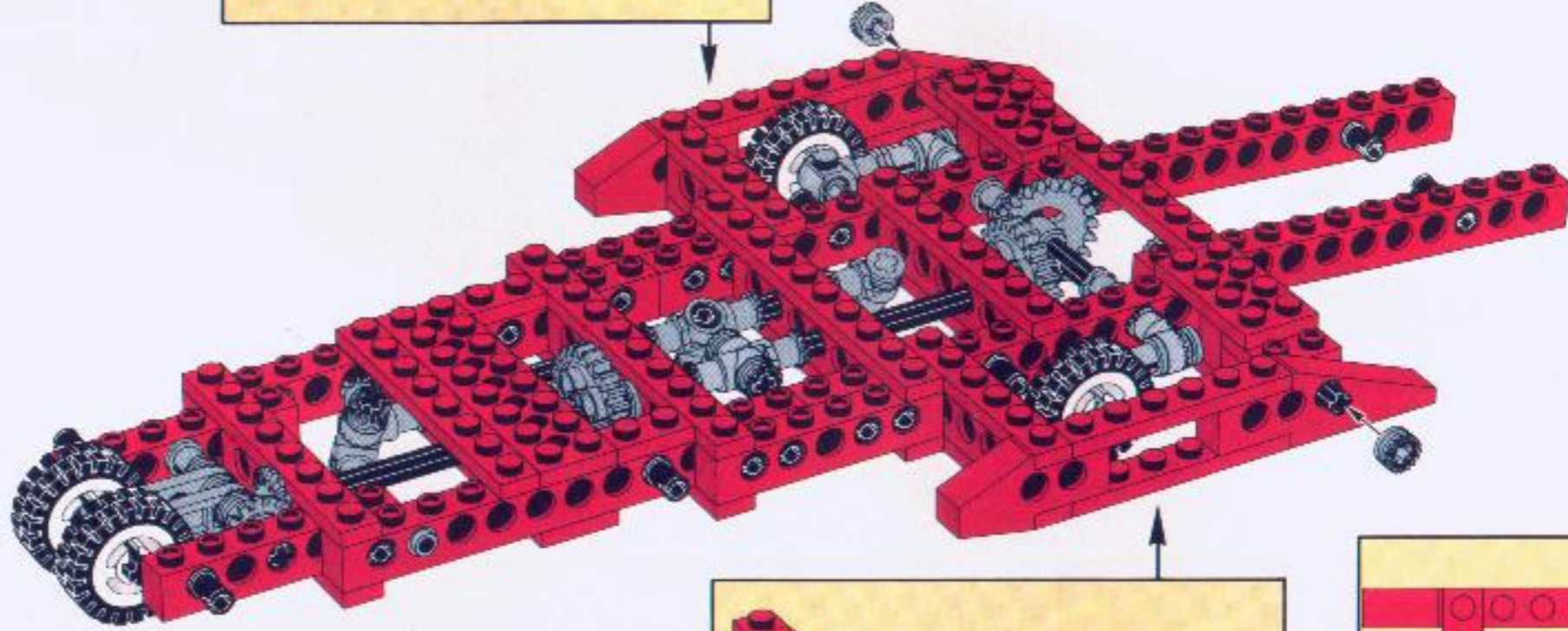
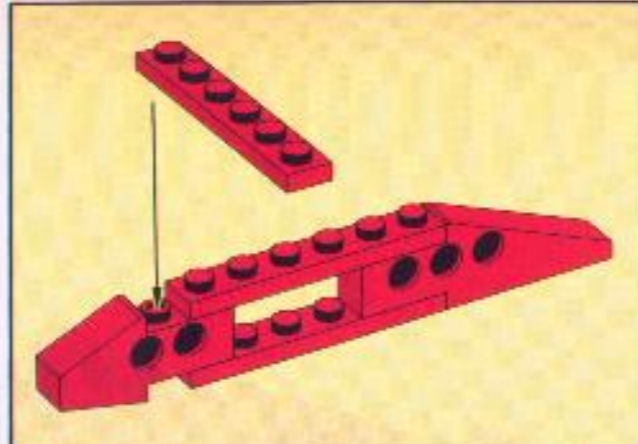


10

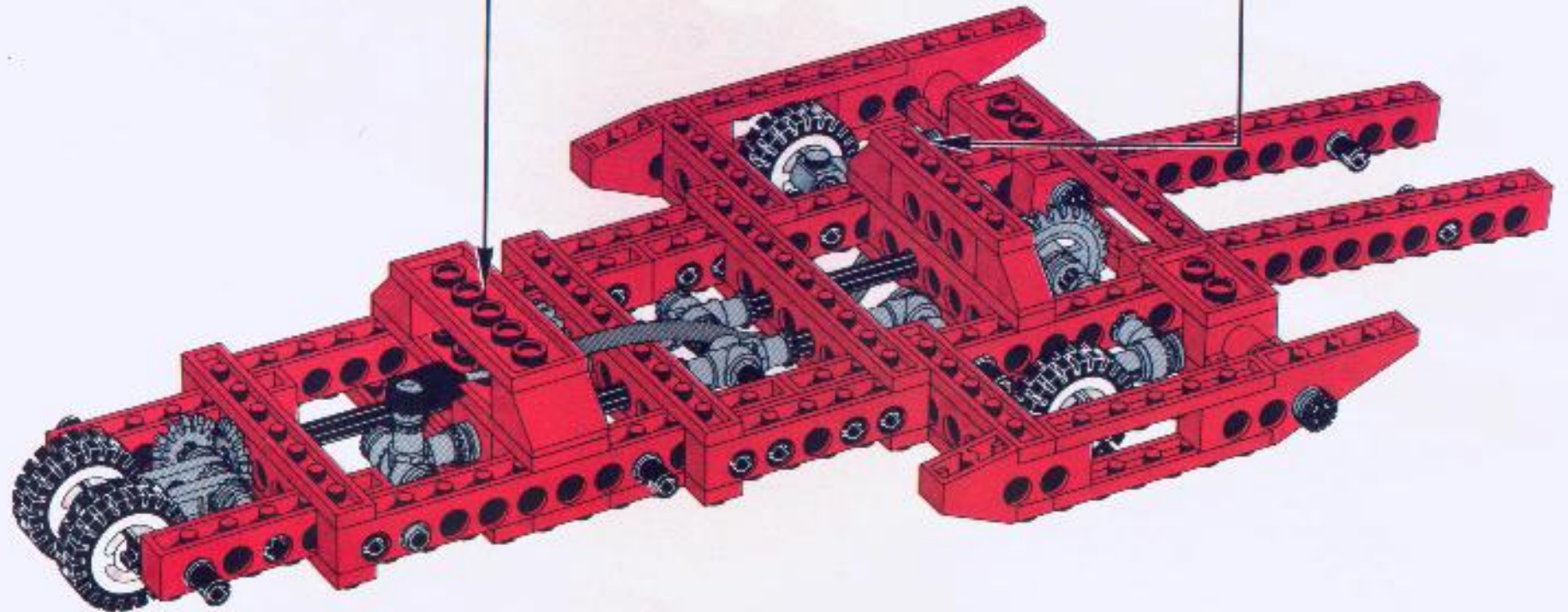
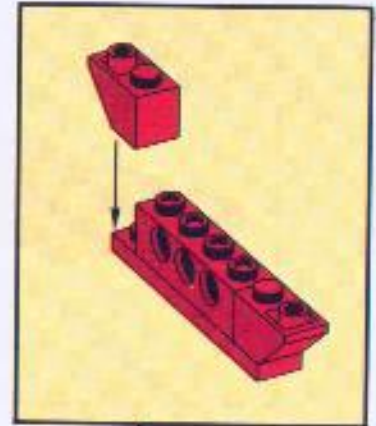
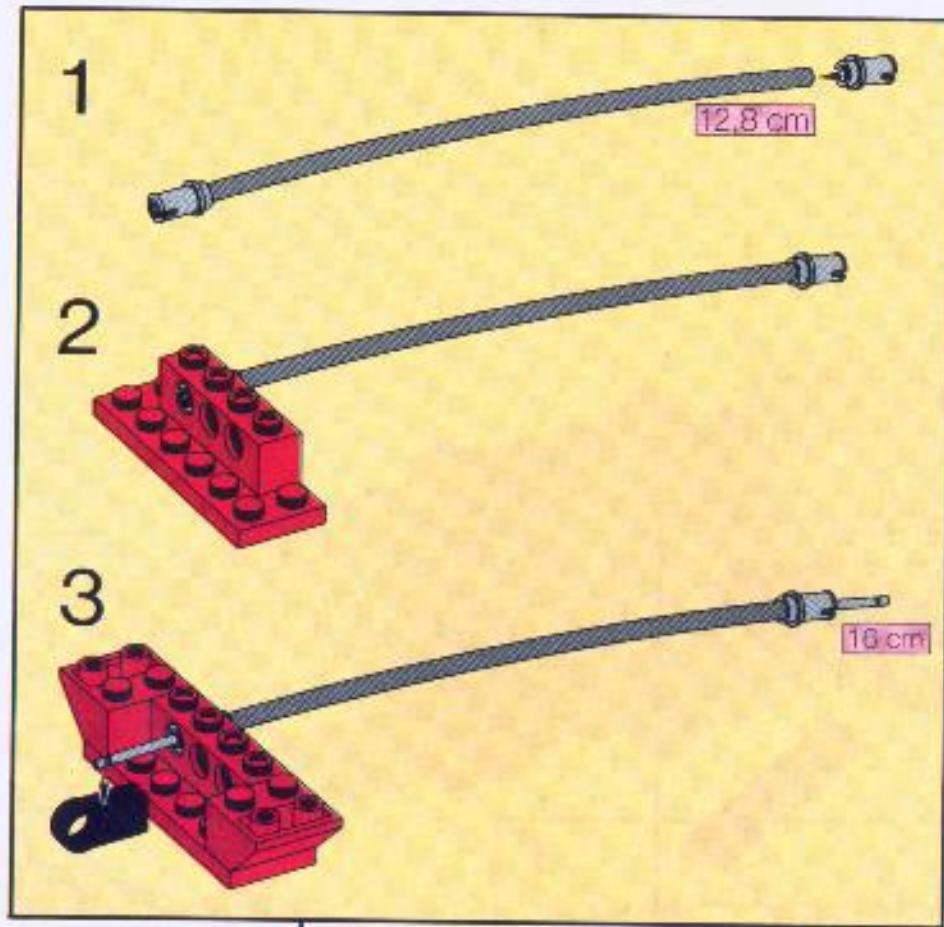
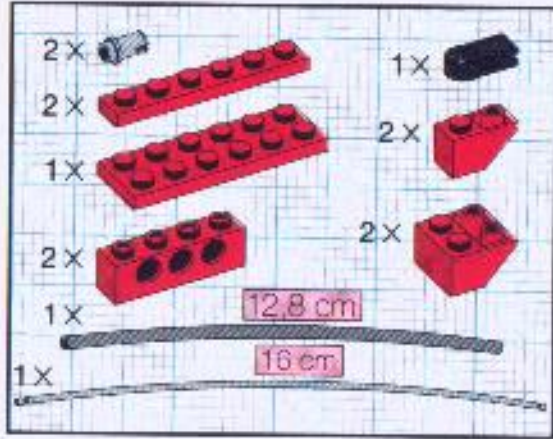


- 6x 
- 2x 
- 2x 
- 2x 
- 2x 
- 2x 

11

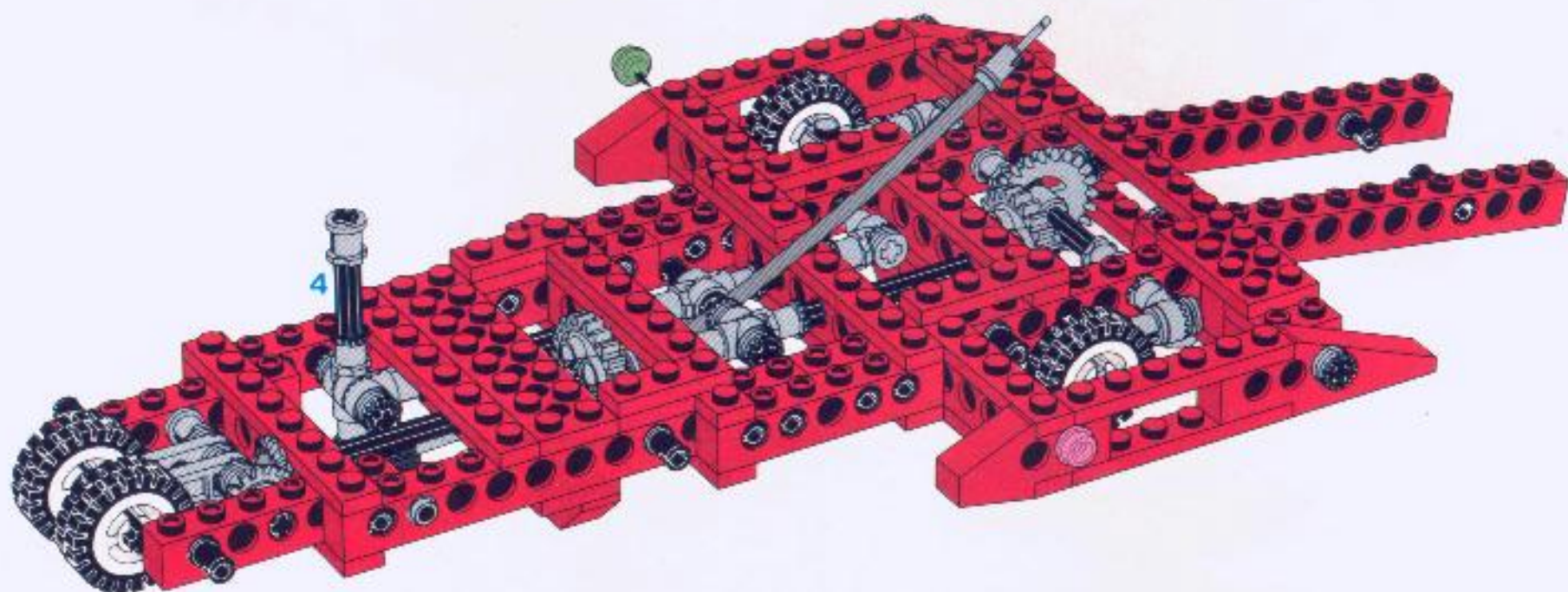


12

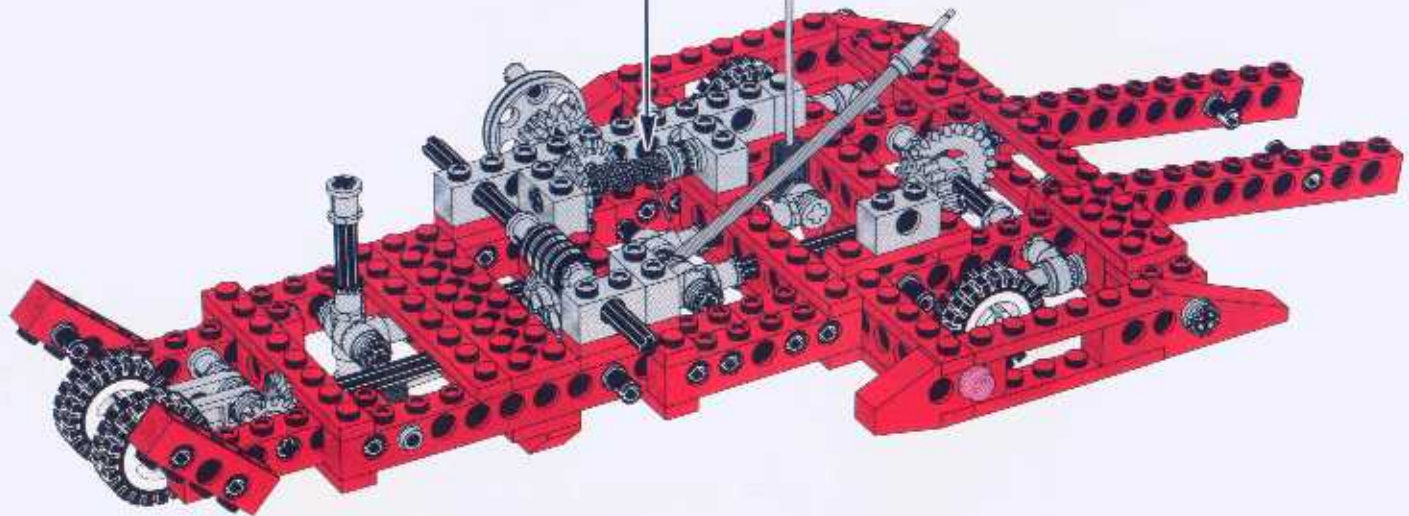
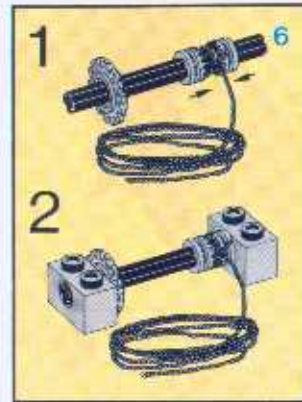
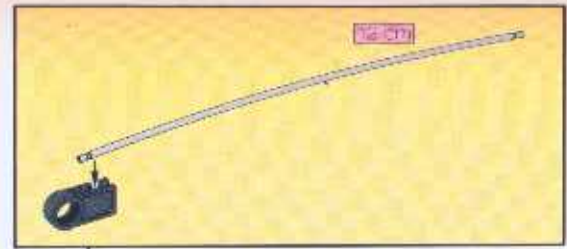
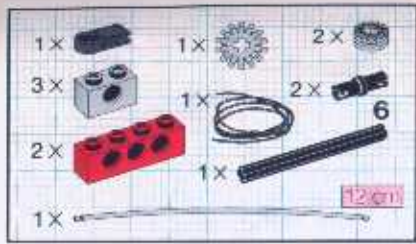


13

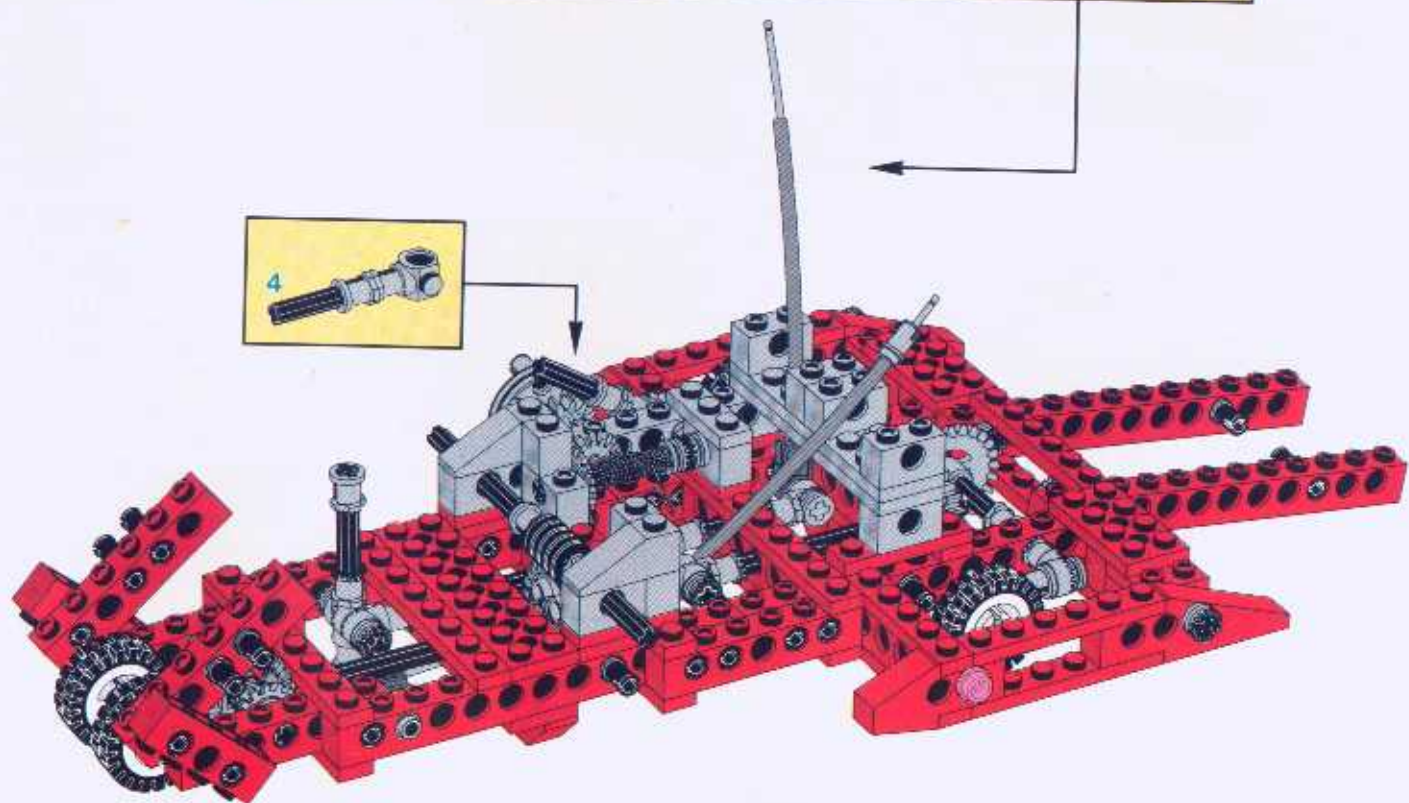
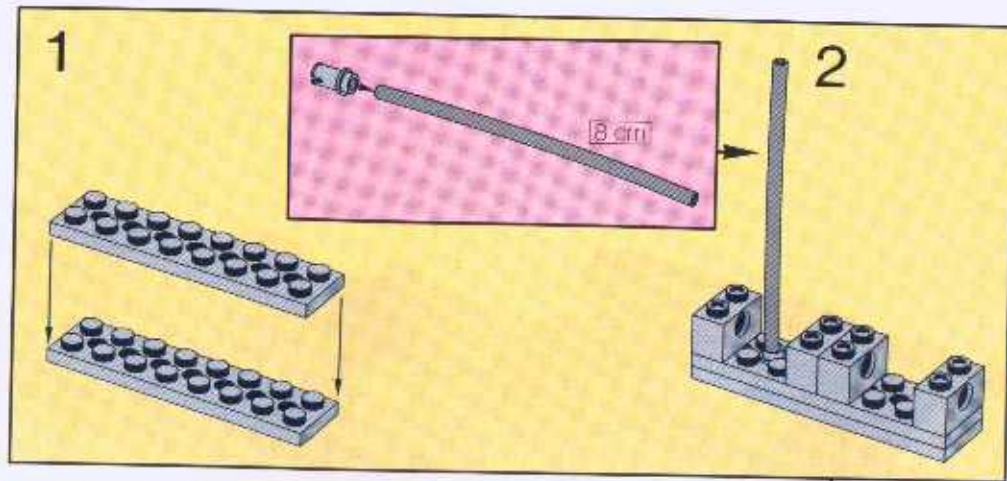
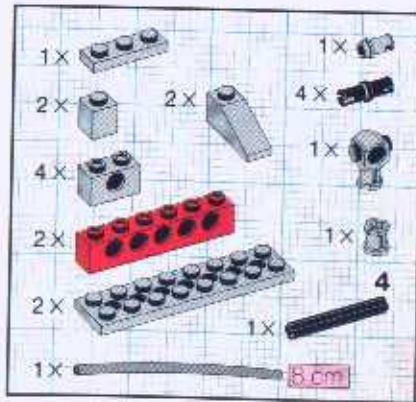
3x		1x		1x	
2x		1x		4	
1x		1x			

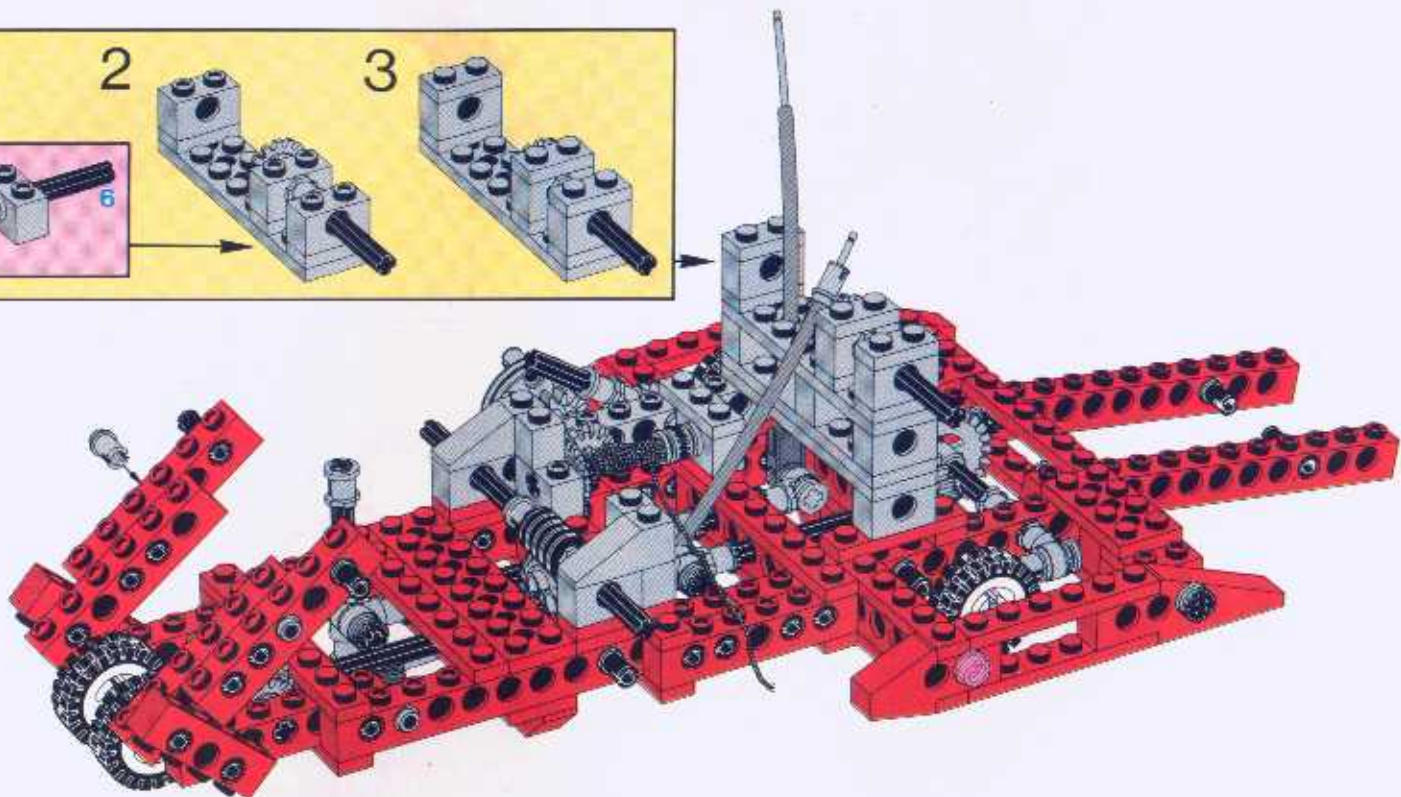
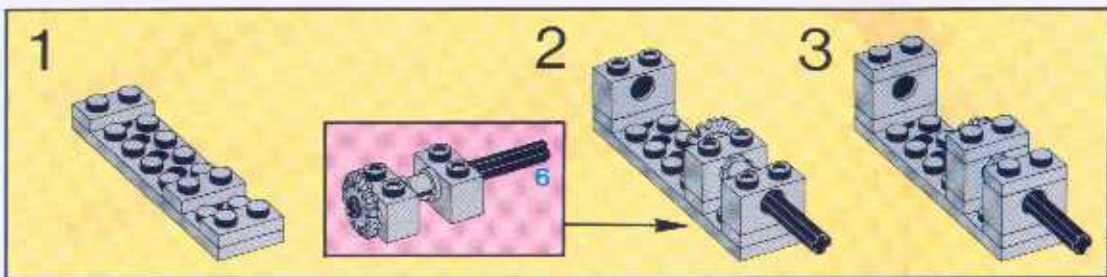
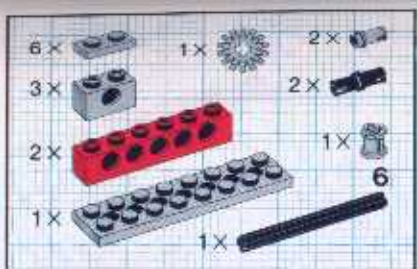


15

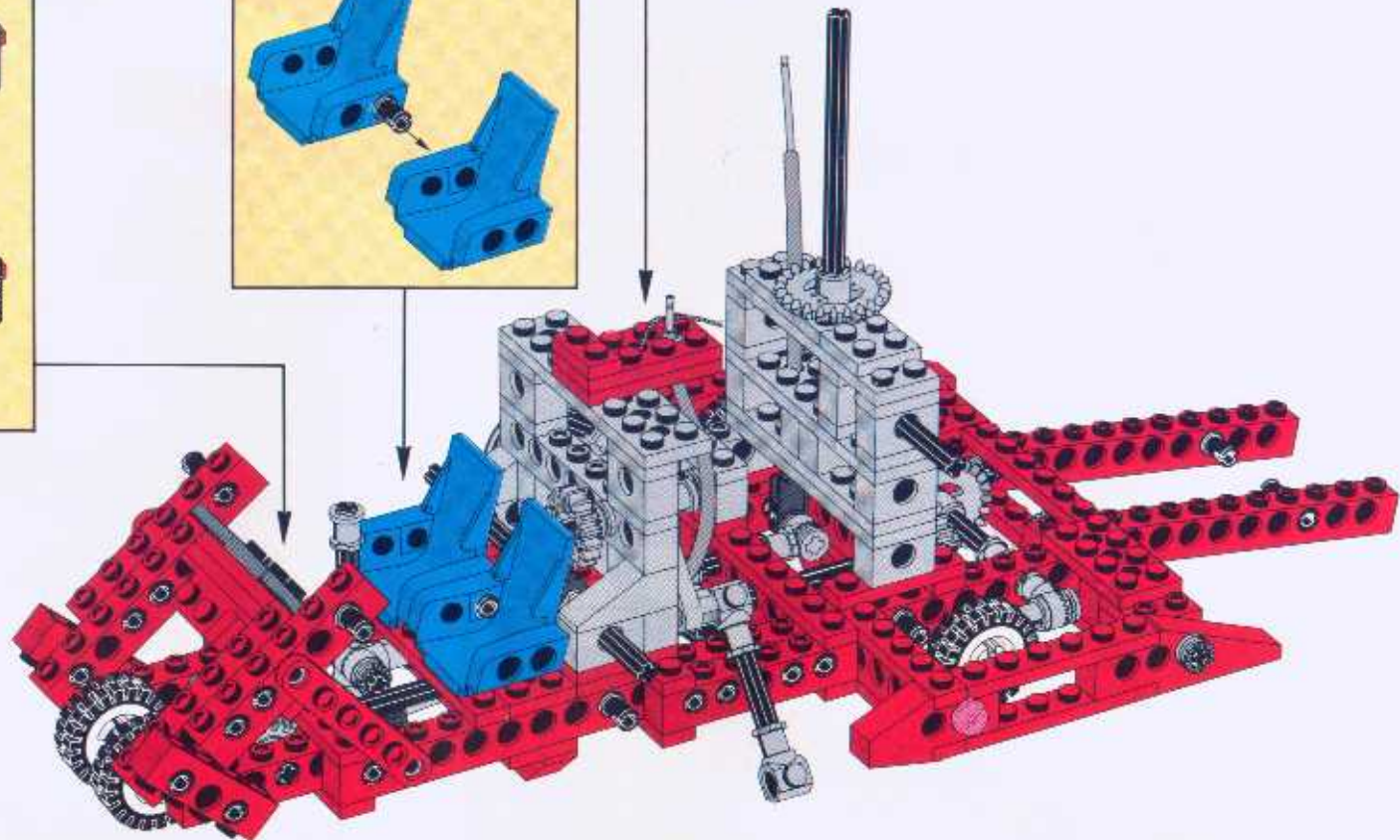
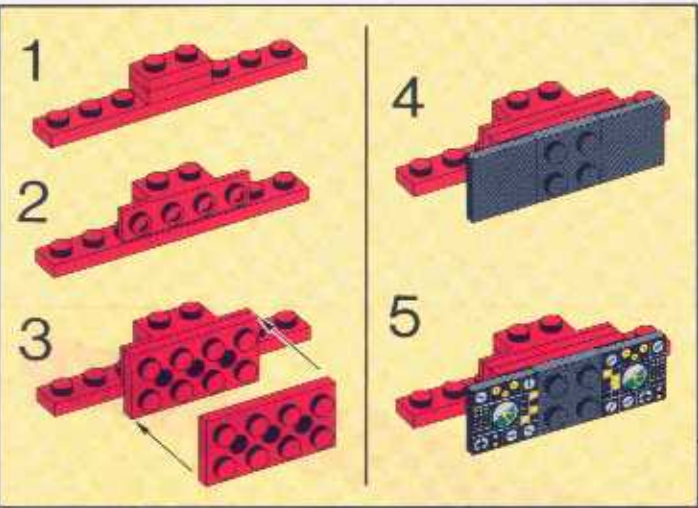
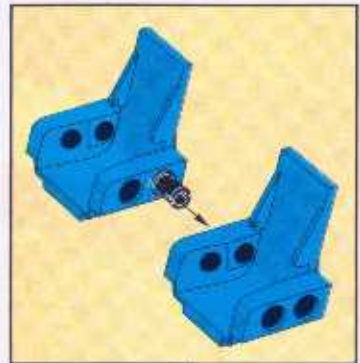
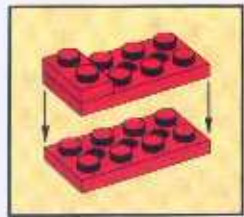


16



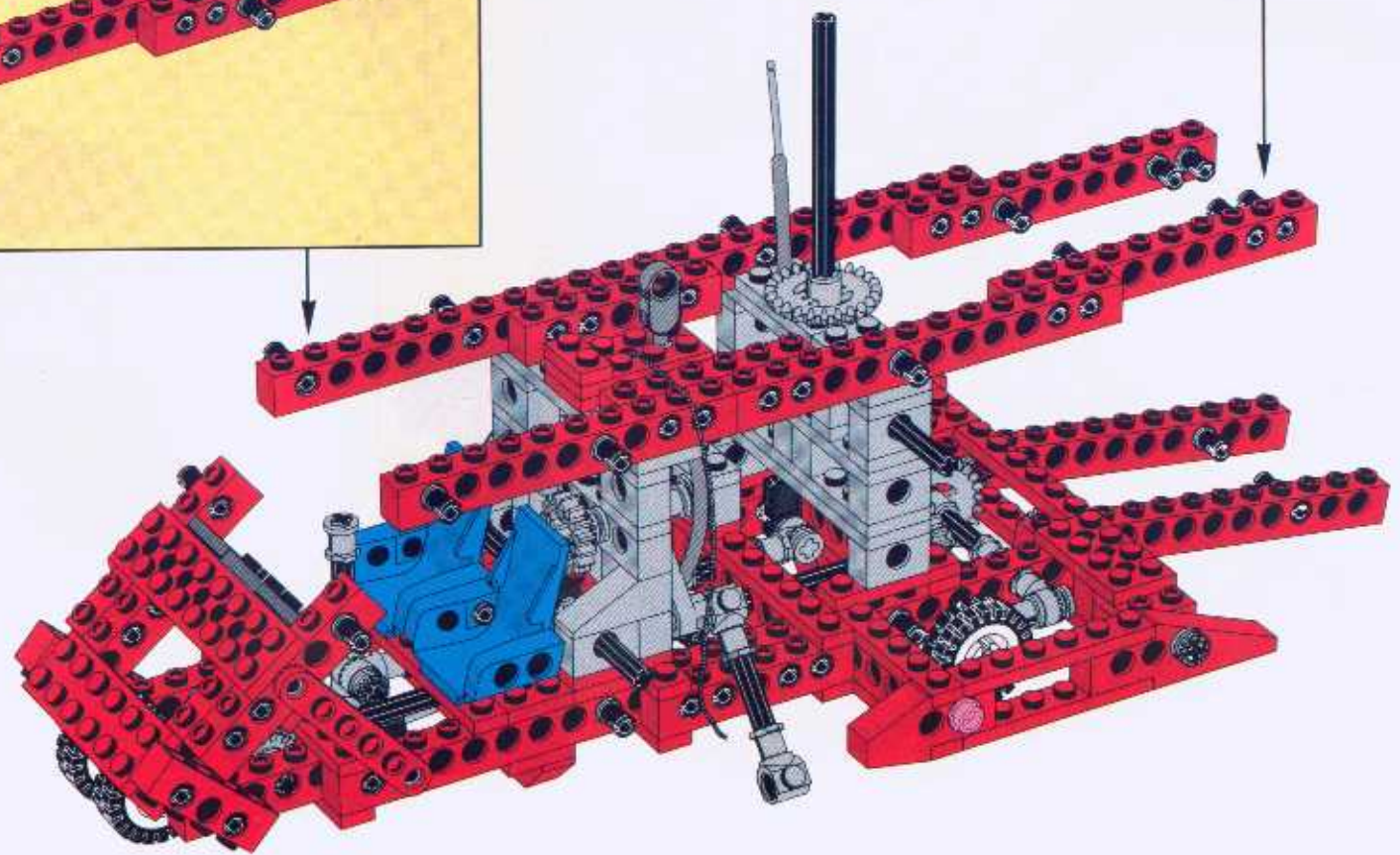
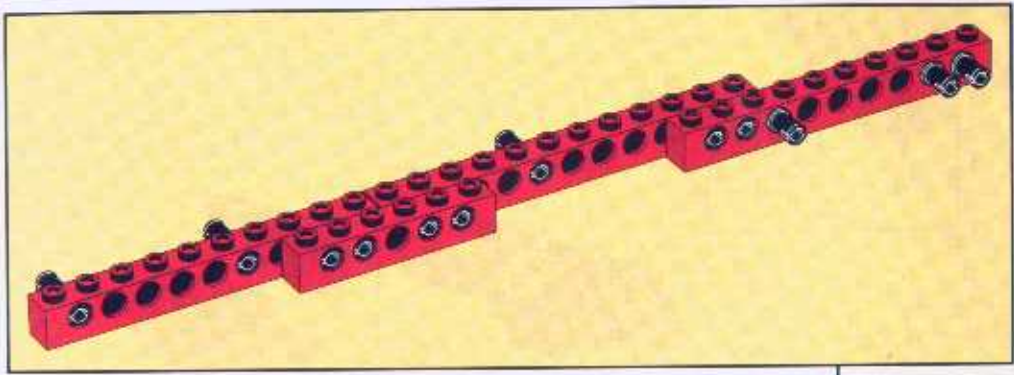
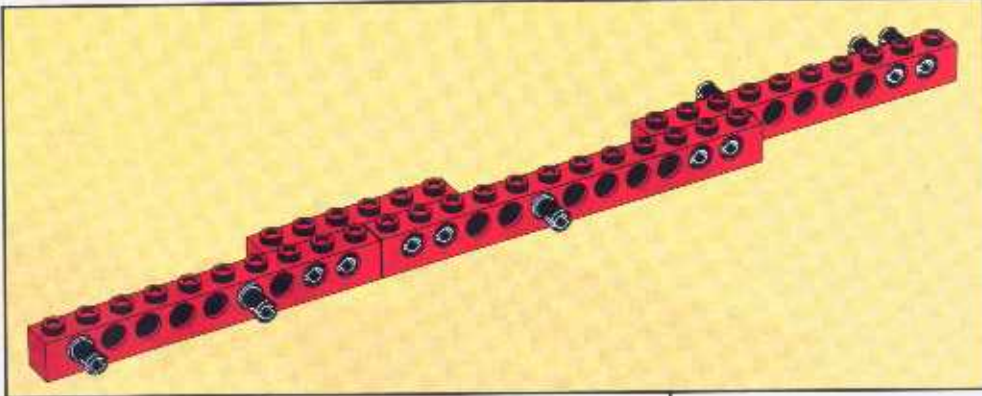







- 2x [Black 1x2 Technic Brick]
- 3x [Red 1x5 Technic Brick]
- 1x [Red 1x7 Technic Brick]
- 1x [Black 1x2 Technic Brick]
- 1x [Black 1x2 Technic Pin]
- 4x [Red 1x3 Technic Brick]
- 1x [Red 1x3 Technic Brick]
- 2x [Blue 2x2 Technic Connector]

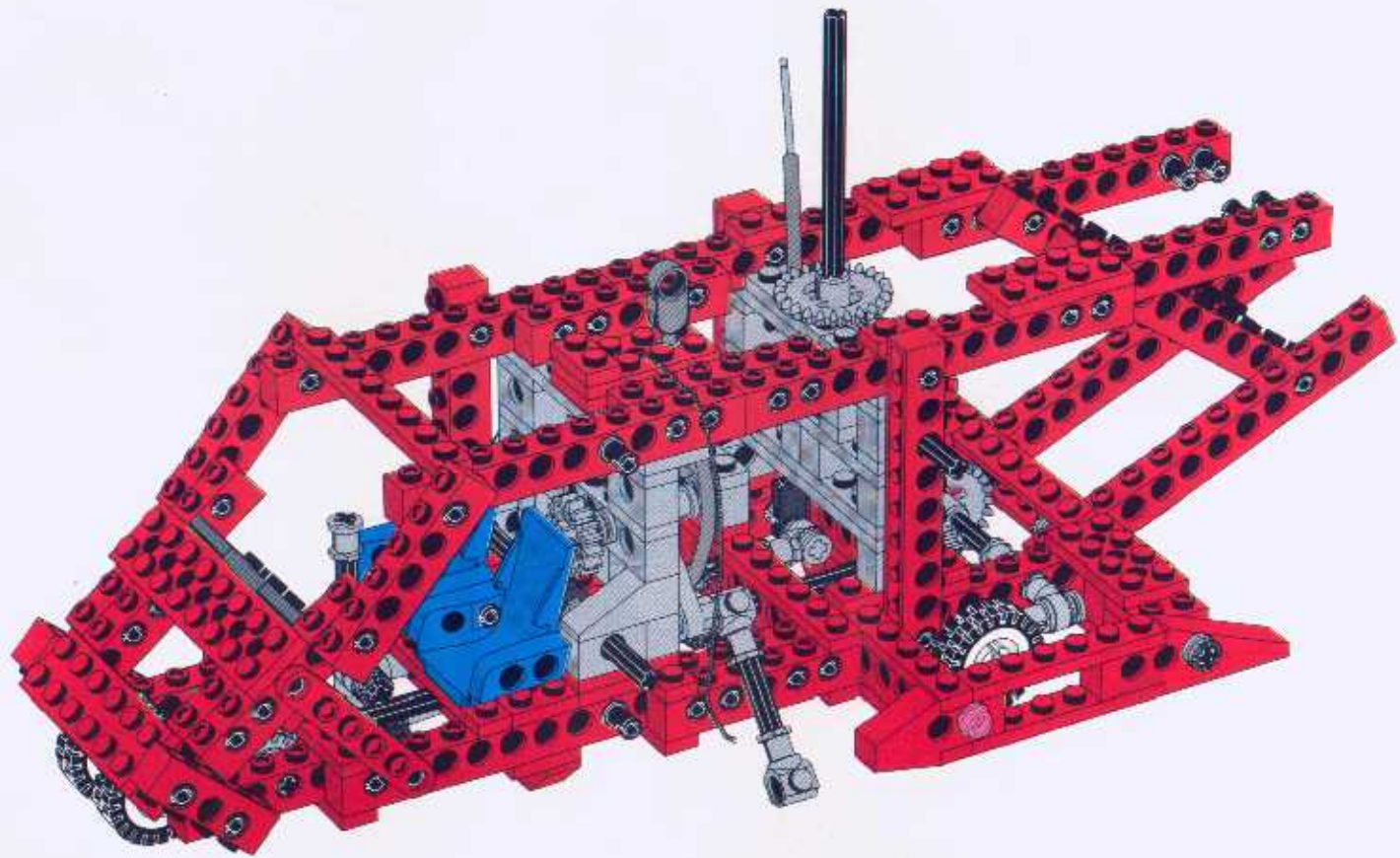


20

- 1x [red 1x5 Technic beam]
- 1x [red 1x7 Technic beam]
- 24x [black Technic pin]
- 2x [red 1x3 Technic beam]
- 4x [red 1x5 Technic beam]
- 2x [red 1x7 Technic beam]
- 1x [black Technic bush]

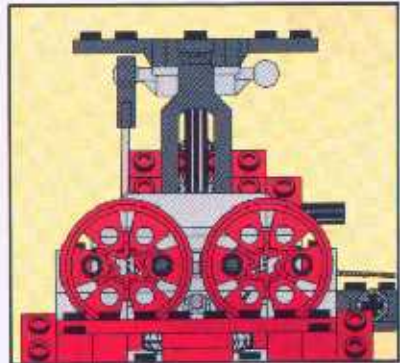
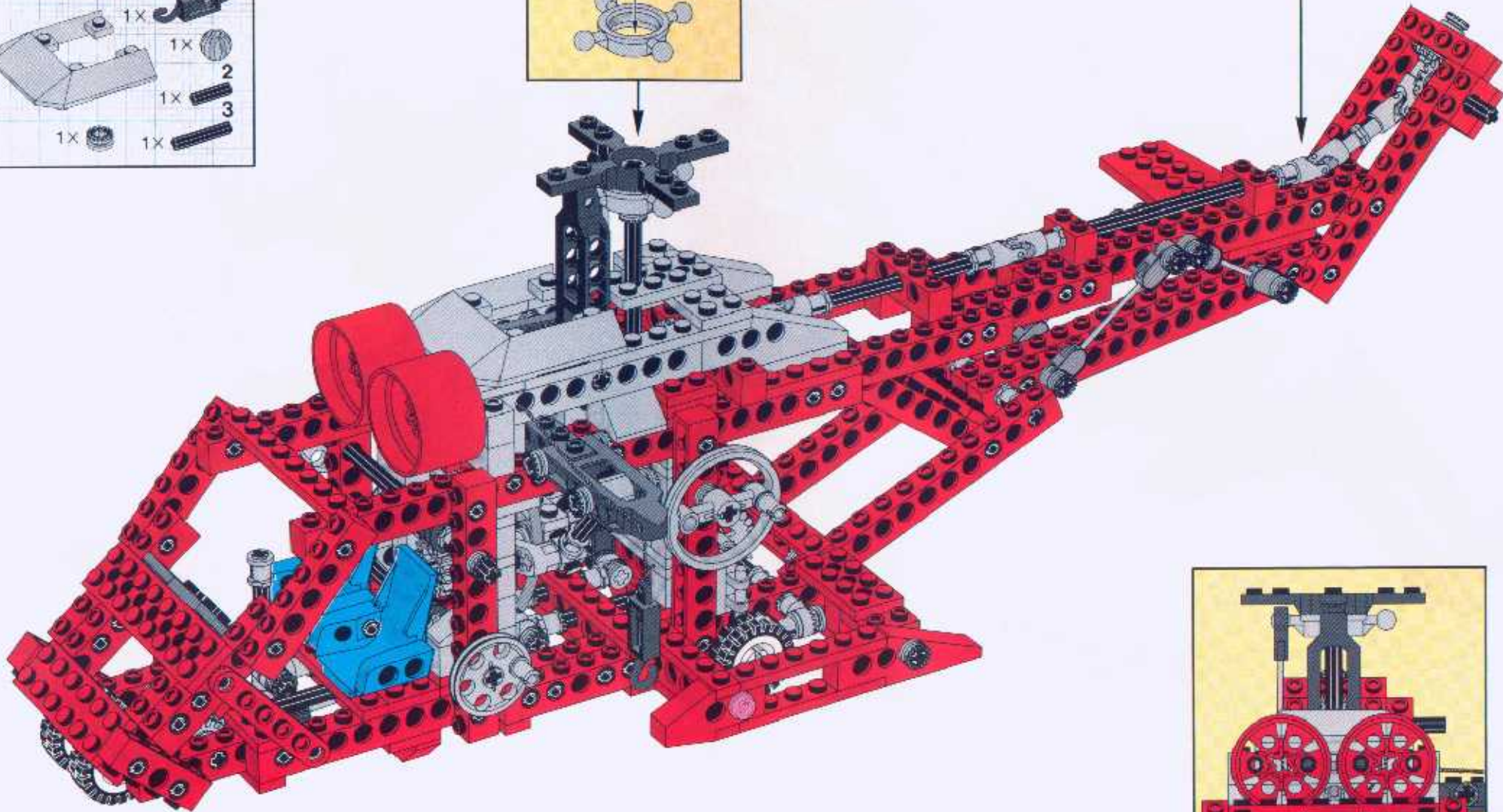
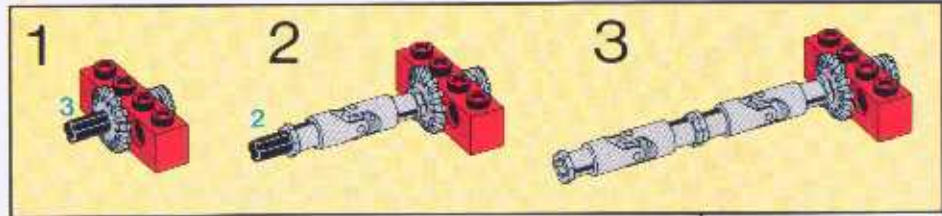
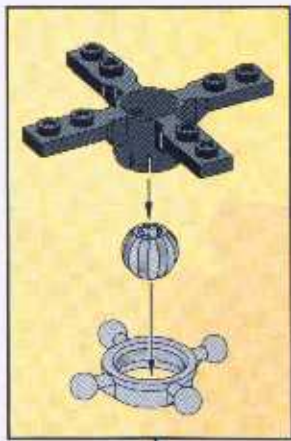


- 2x 
- 1x 
- 2x 
- 2x 
- 5x 



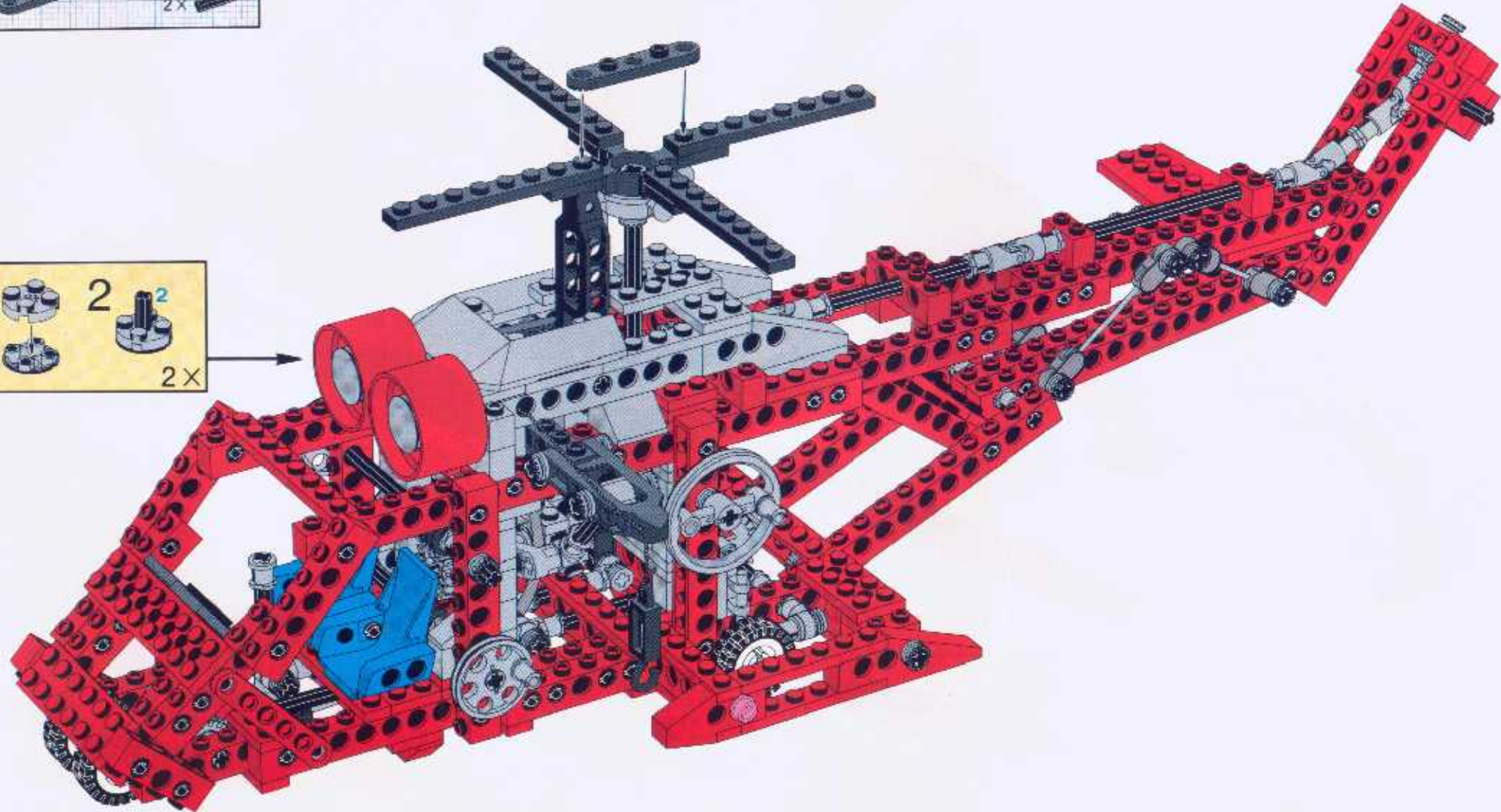
26

- 1x
- 2x
- 1x
- 2x
- 1x
- 1x
- 1x
- 1x
- 1x
- 1x
- 1x
- 1x
- 1x
- 1x
- 1x
- 1x
- 1x
- 1x
- 1x
- 1x
- 1x
- 1x
- 1x
- 1x
- 1x
- 1x
- 1x
- 1x
- 1x
- 1x
- 1x
- 1x
- 1x
- 1x
- 1x
- 1x
- 1x
- 1x
- 1x
- 1x
- 1x
- 1x
- 1x
- 1x
- 1x
- 1x
- 1x
- 1x
- 1x
- 1x
- 1x
- 1x
- 1x
- 1x
- 1x
- 1x



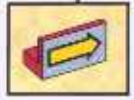
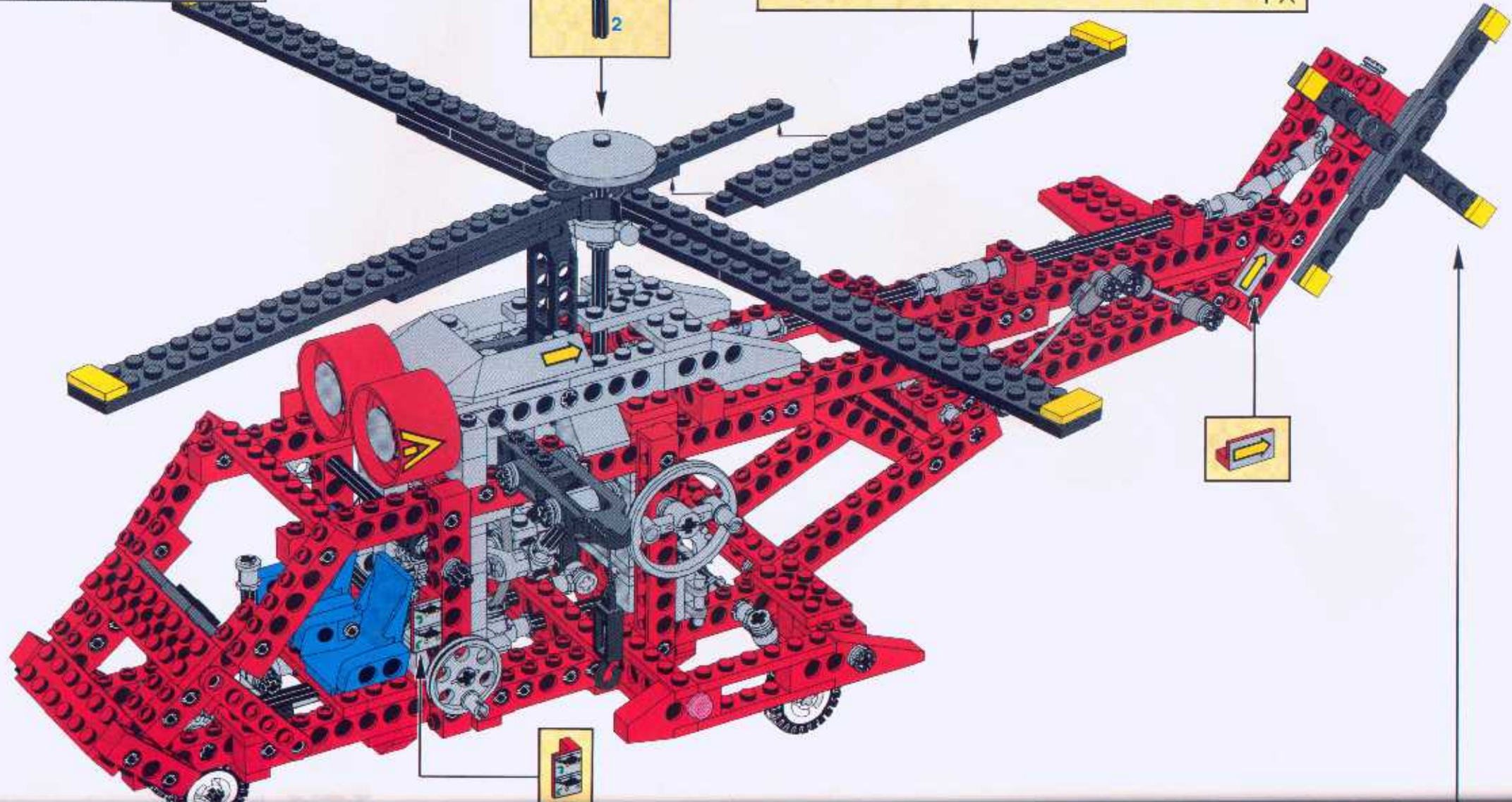
- 1x
- 1x
- 4x
- 1x
- 1x
- 2x
- 2x
- 2x

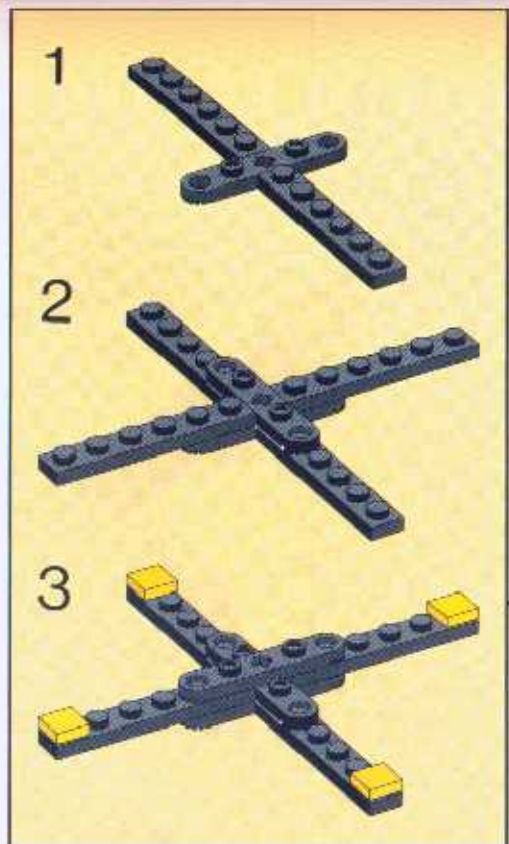
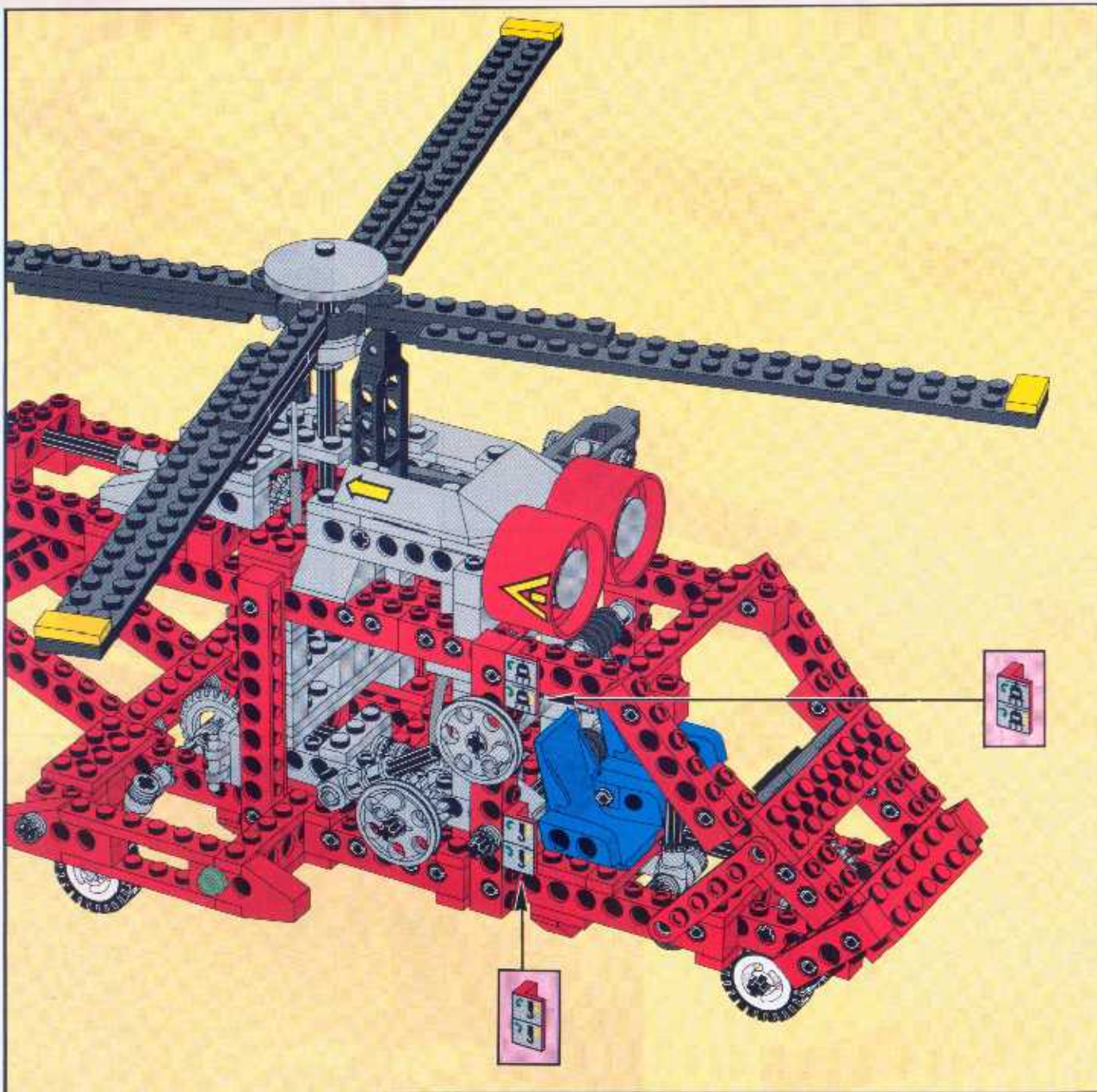
- 1
- 2
- 2x

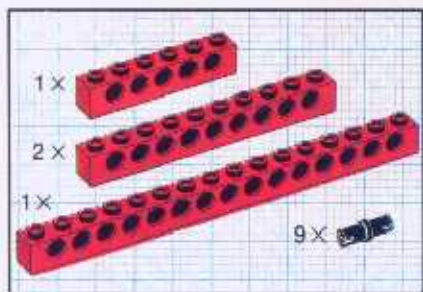


- 4x Yellow Technic Pin
- 4x Yellow Technic Pin
- 4x Black Technic Beam 11
- 4x Black Technic Beam 11
- 4x Black Technic Beam 11
- 4x Black Technic Beam 11
- 4x Black Technic Beam 11
- 1x Grey Technic Plate 1
- 4x Red Technic Pin
- 3x Black Technic Pin
- 1x Black Technic Pin
- 2x Black Technic Pin

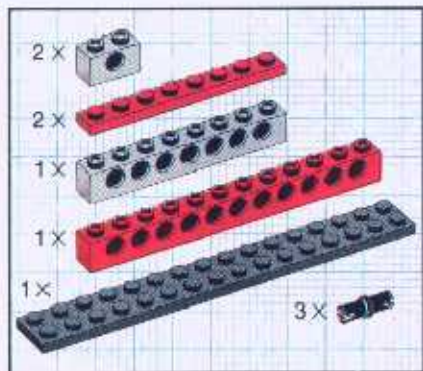
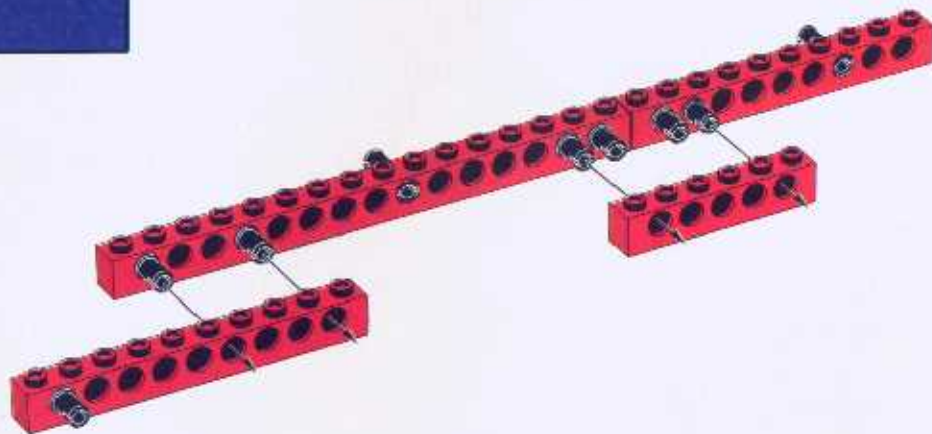
- 1 Black Technic Beam 11
 - 2 Black Technic Beam 11
 - 3 Black Technic Beam 11
- 4x



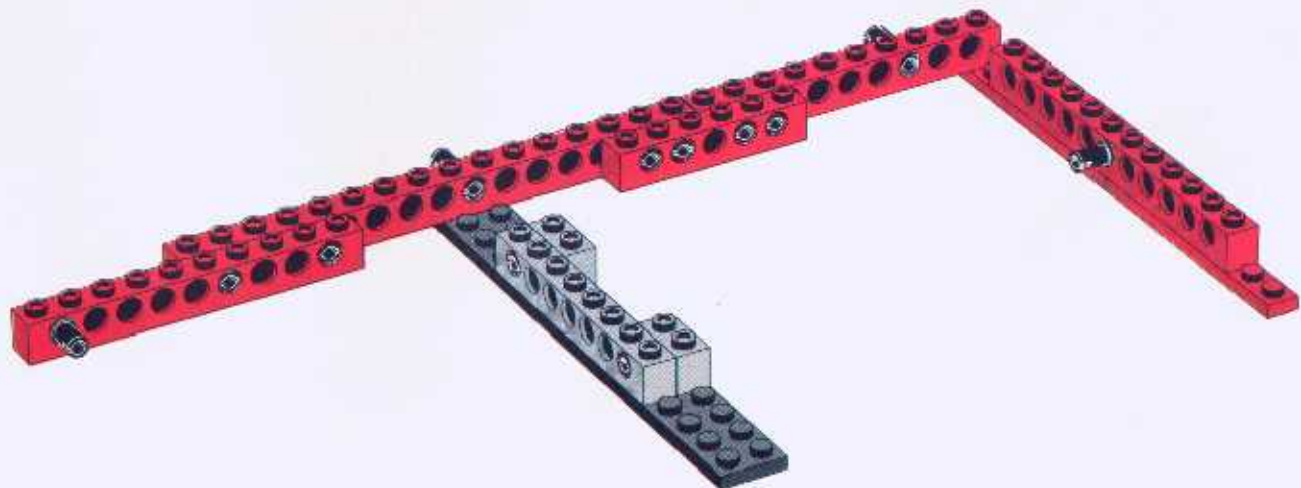




1

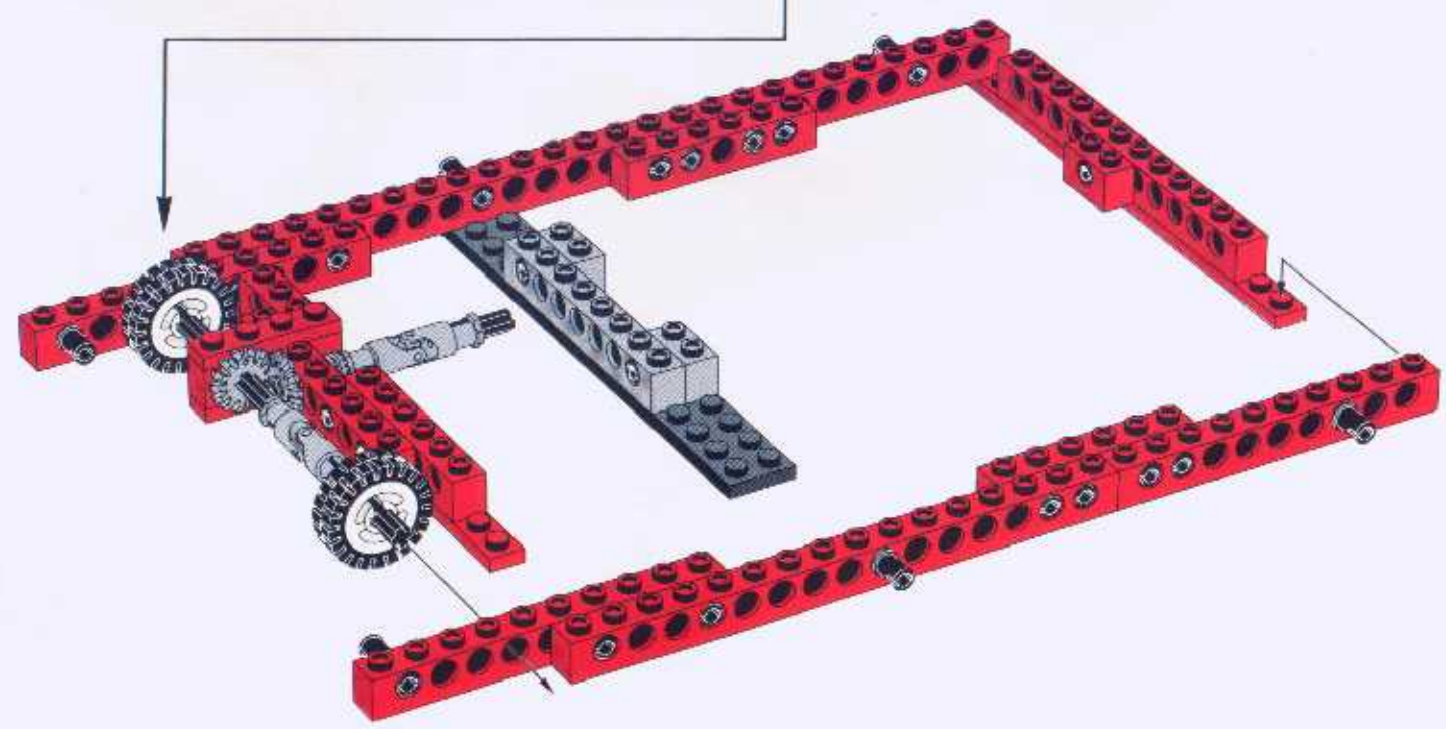
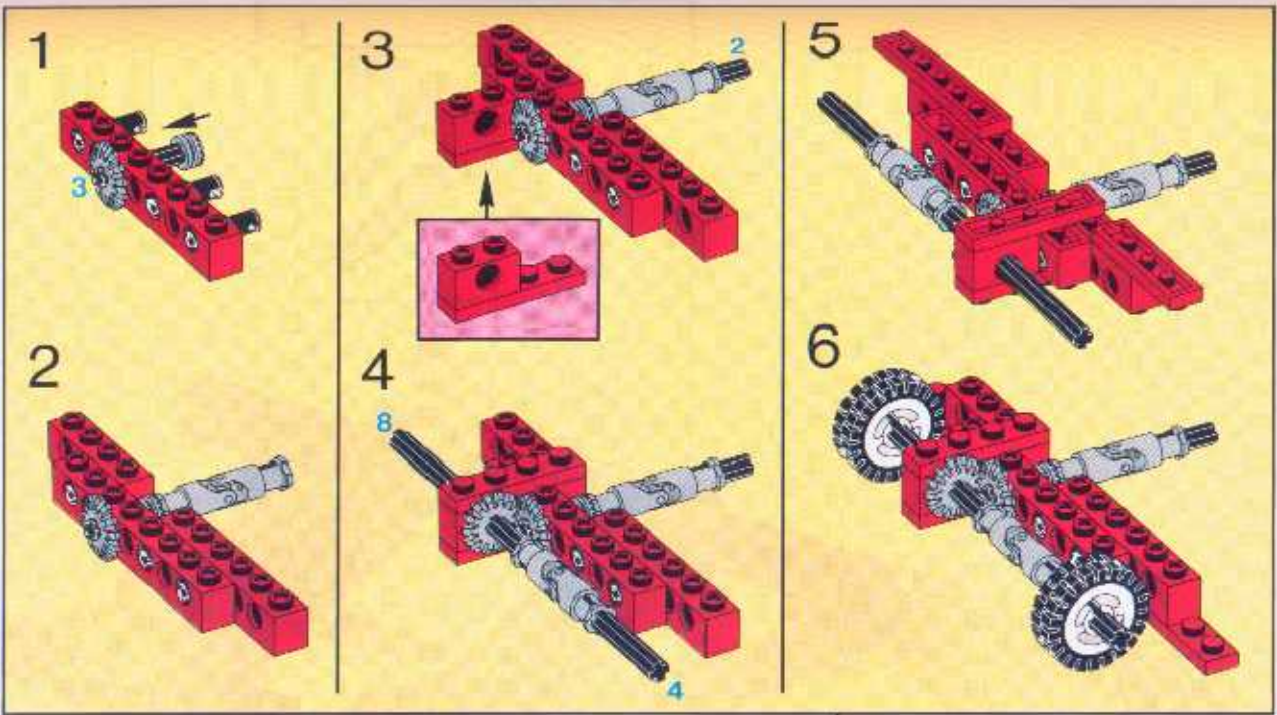


2







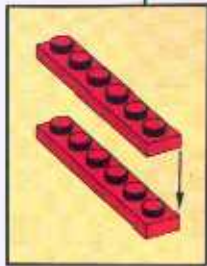
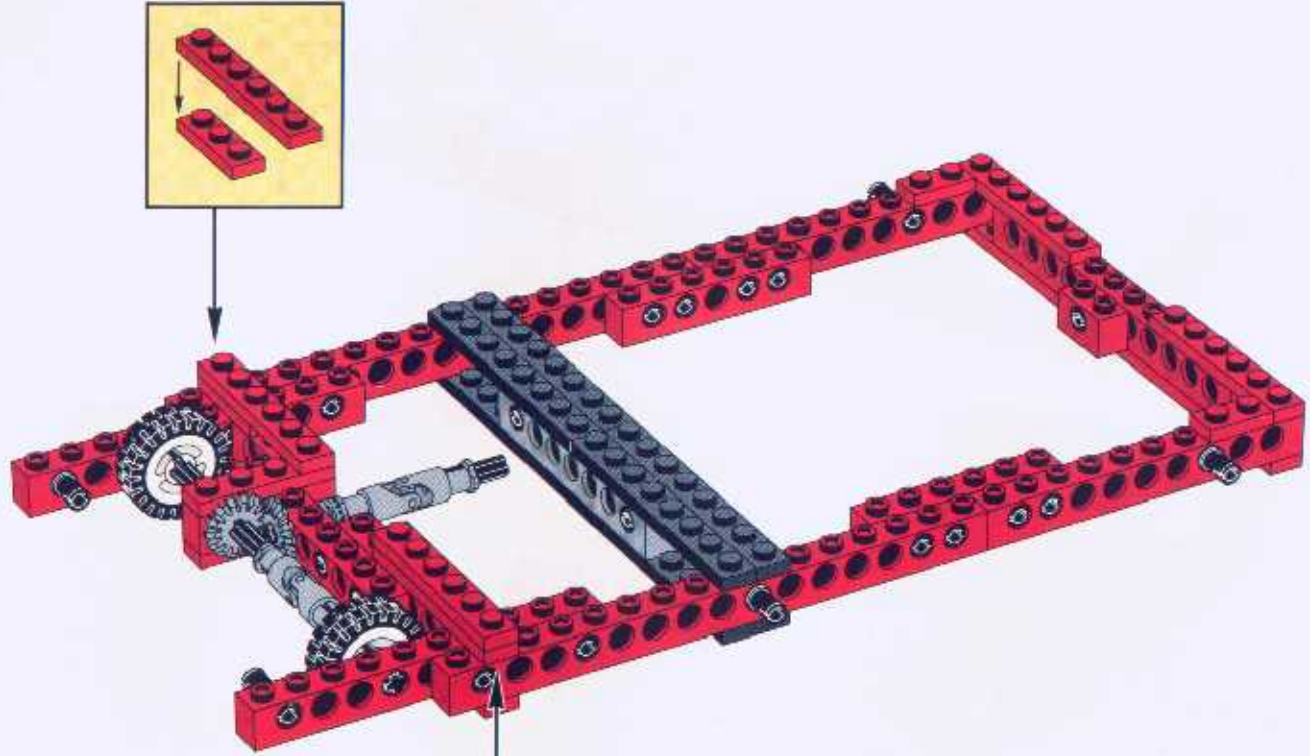
3

- 3x 1x red Technic beam
- 1x 2x red Technic beam
- 2x 1x red Technic beam
- 1x 3x red Technic beam
- 2x 4x red Technic beam
- 1x 6x red Technic beam
- 2x 8x red Technic beam
- 1x 12x red Technic beam
- 2x 1x black Technic axle
- 1x 2x black Technic axle
- 1x 3x black Technic axle
- 1x 4x black Technic axle
- 1x 8x black Technic axle
- 2x 1x black Technic bush
- 1x 2x black Technic bush
- 1x 1x black Technic bush
- 12x 1x black Technic pin
- 2x 1x black Technic gear
- 1x 1x black Technic gear
- 2x 1x black Technic ring
- 1x 1x black Technic ring

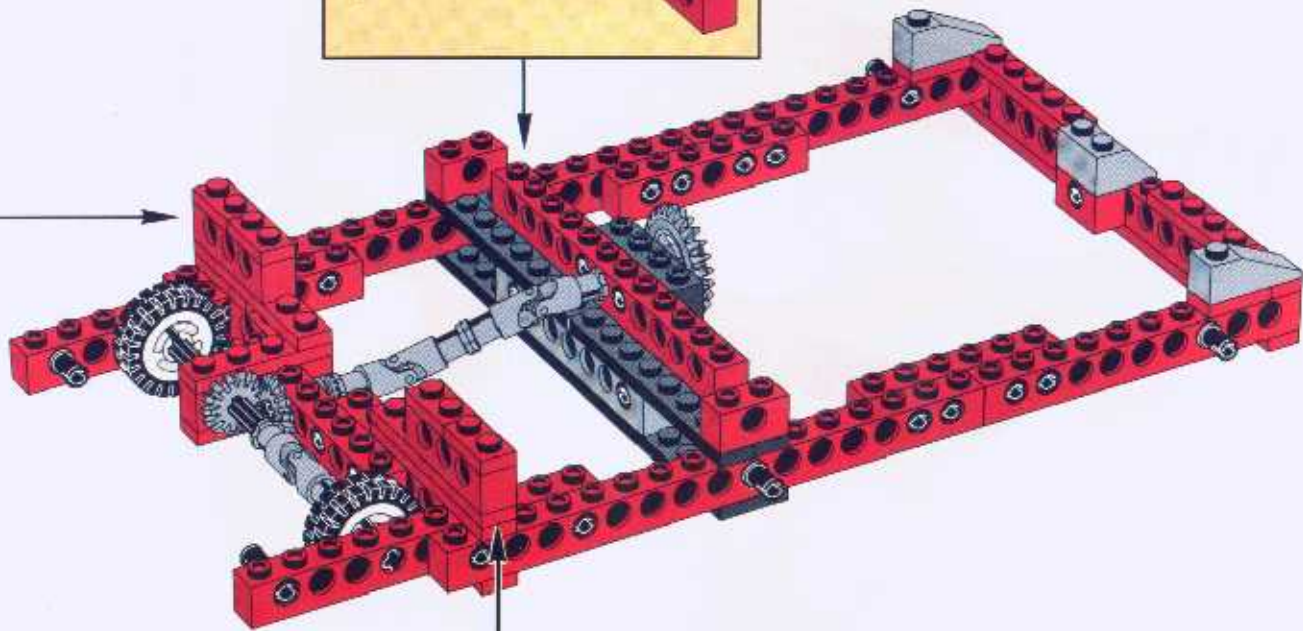
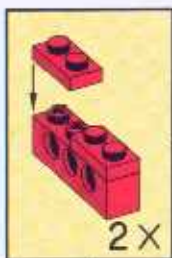
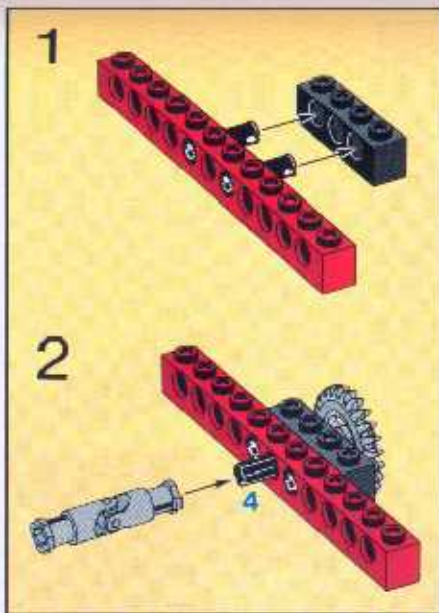
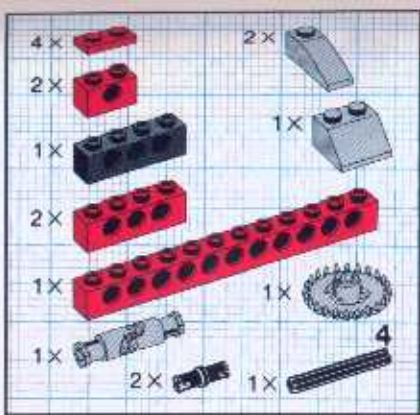


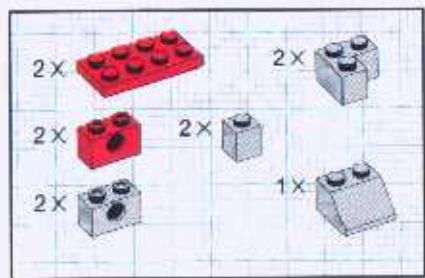
4

- 2x 
- 1x 
- 5x 
- 4x 

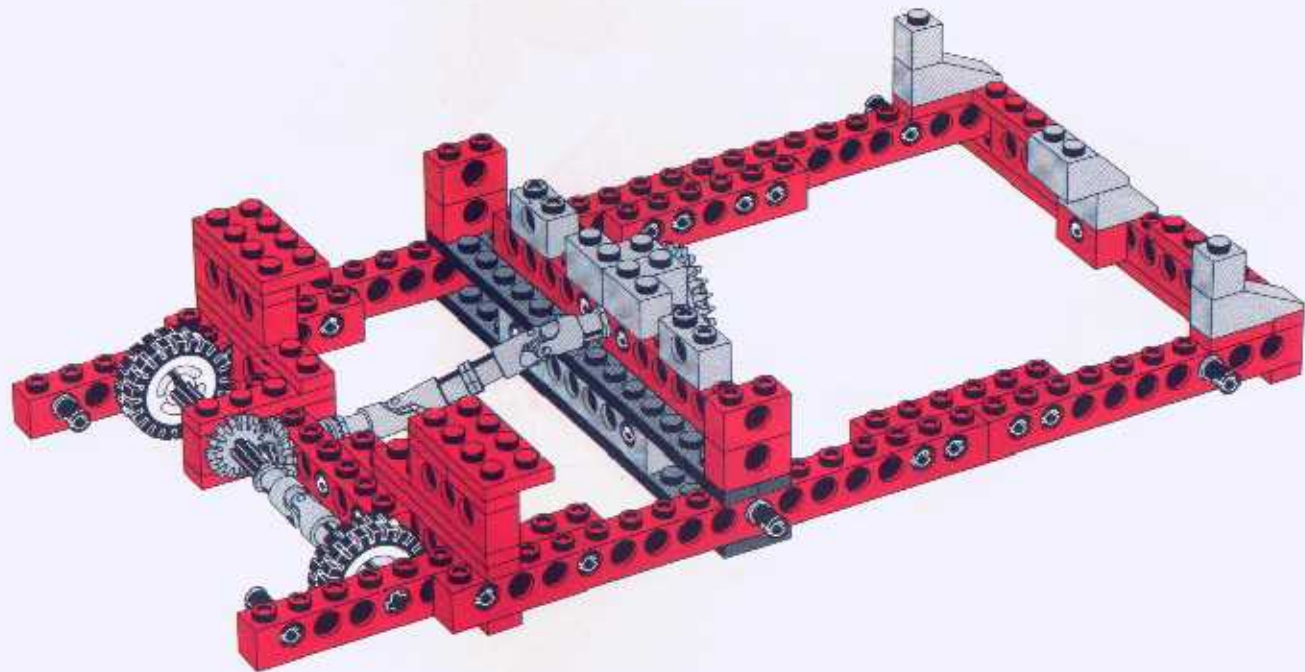


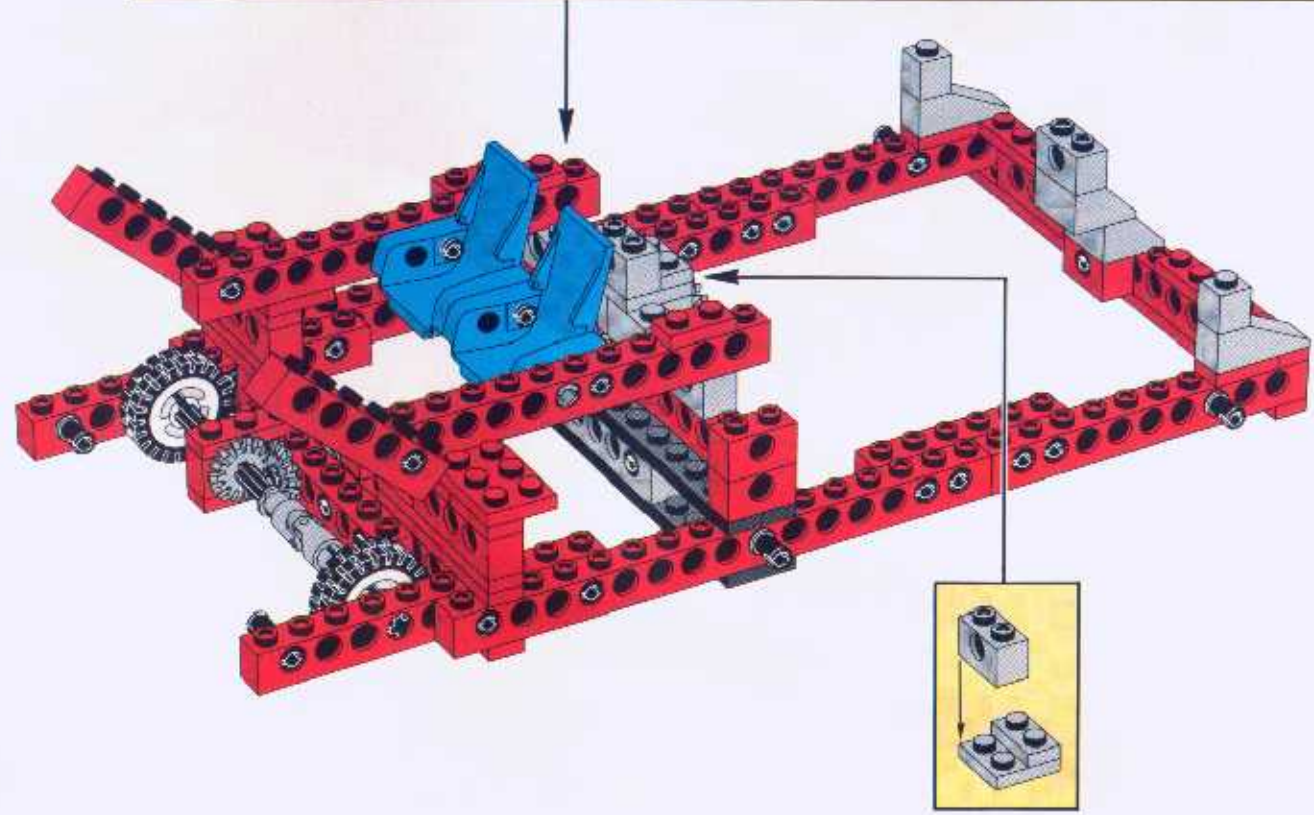
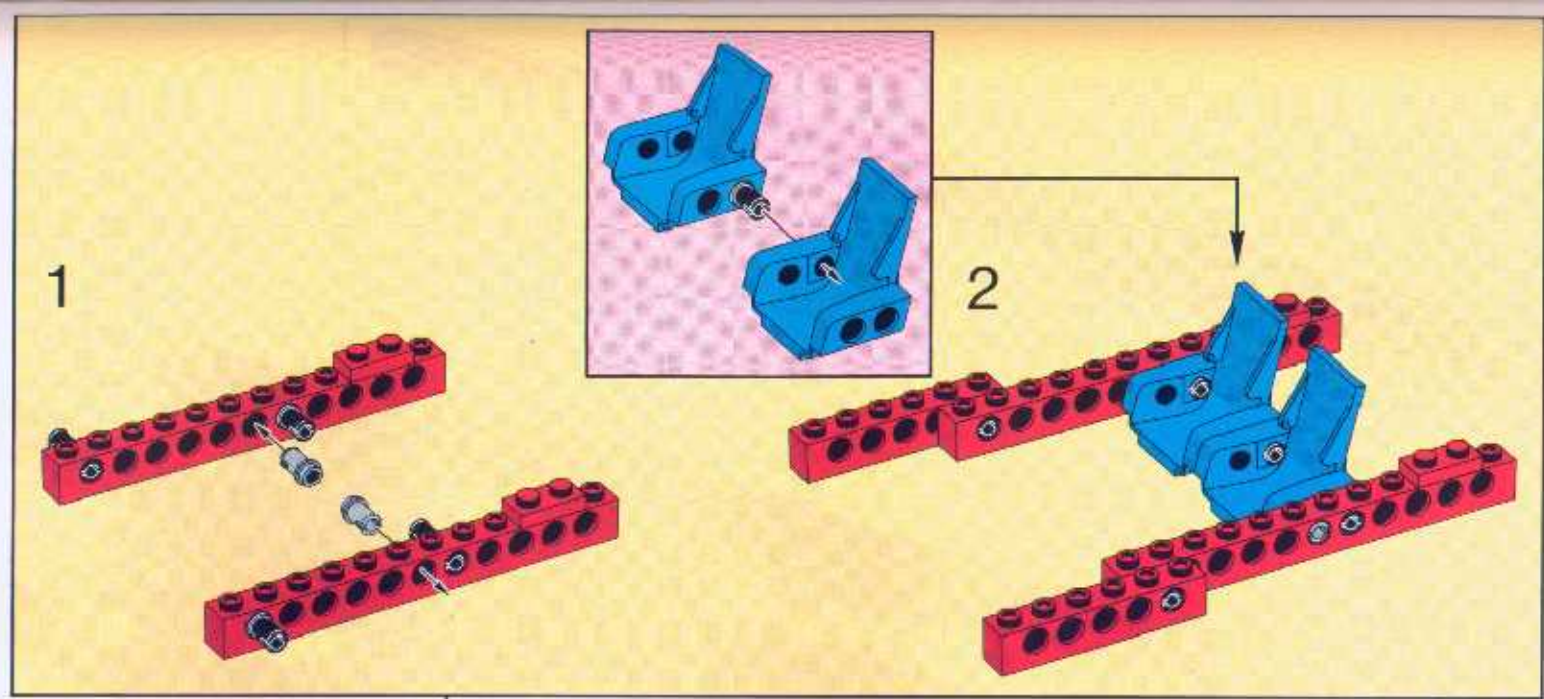
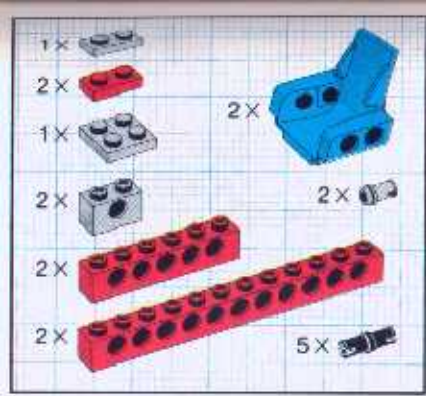
5



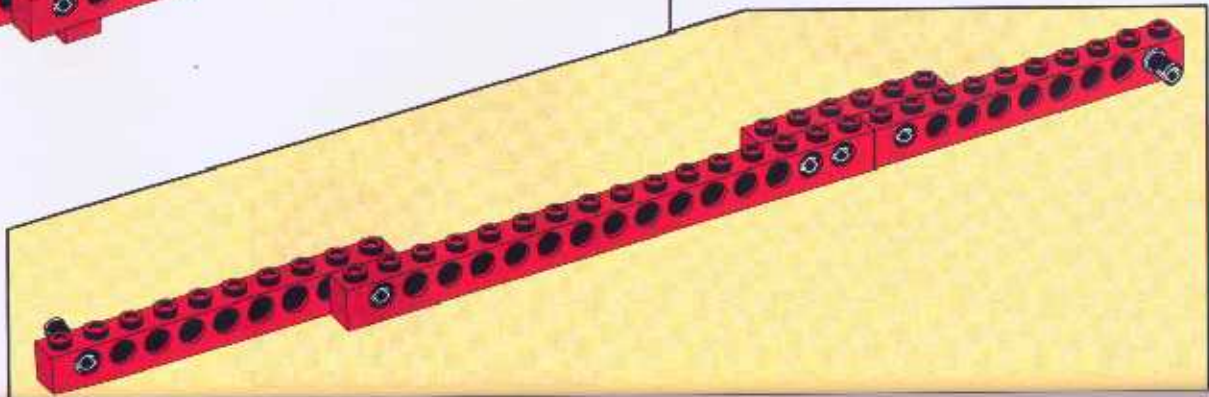
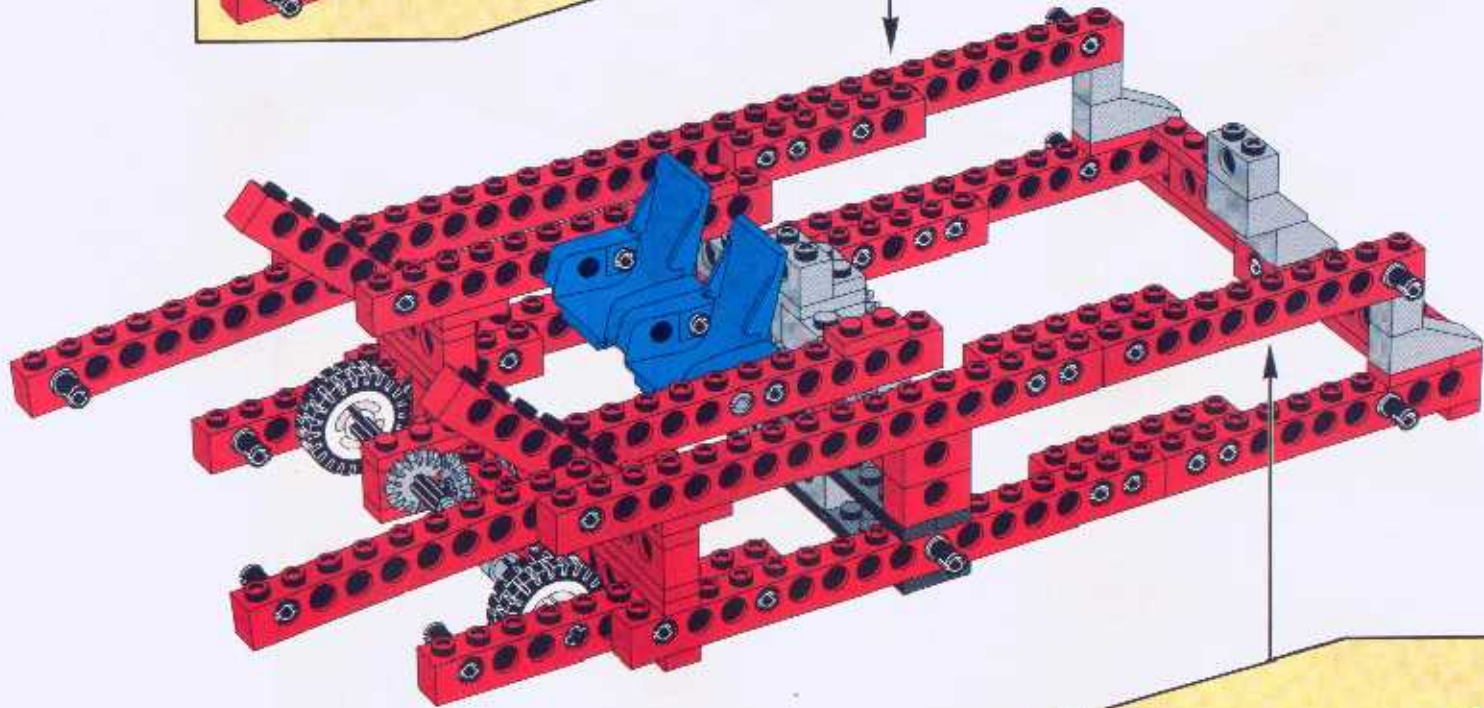
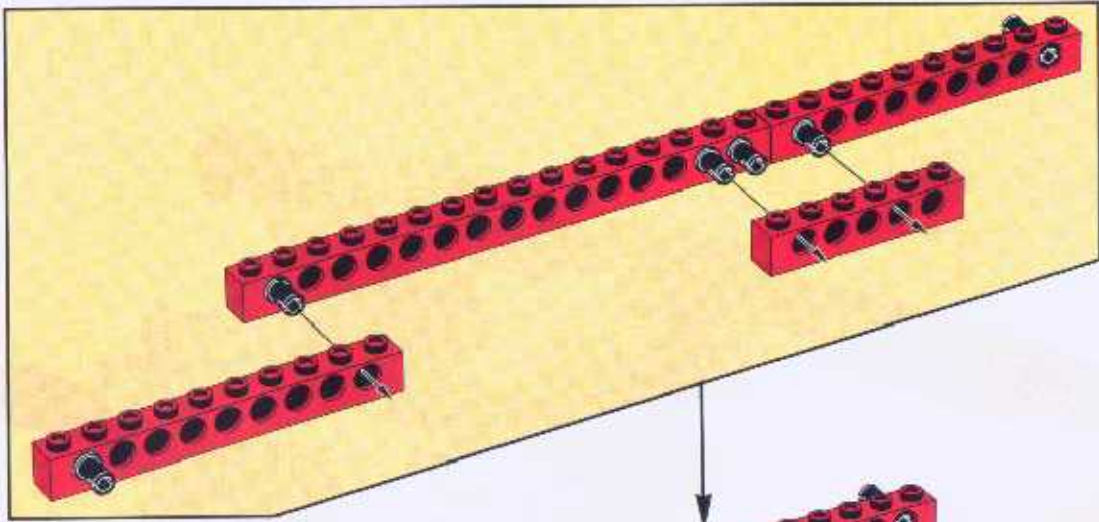
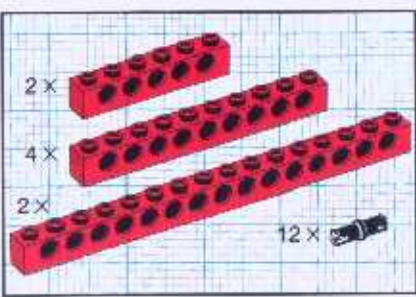


6

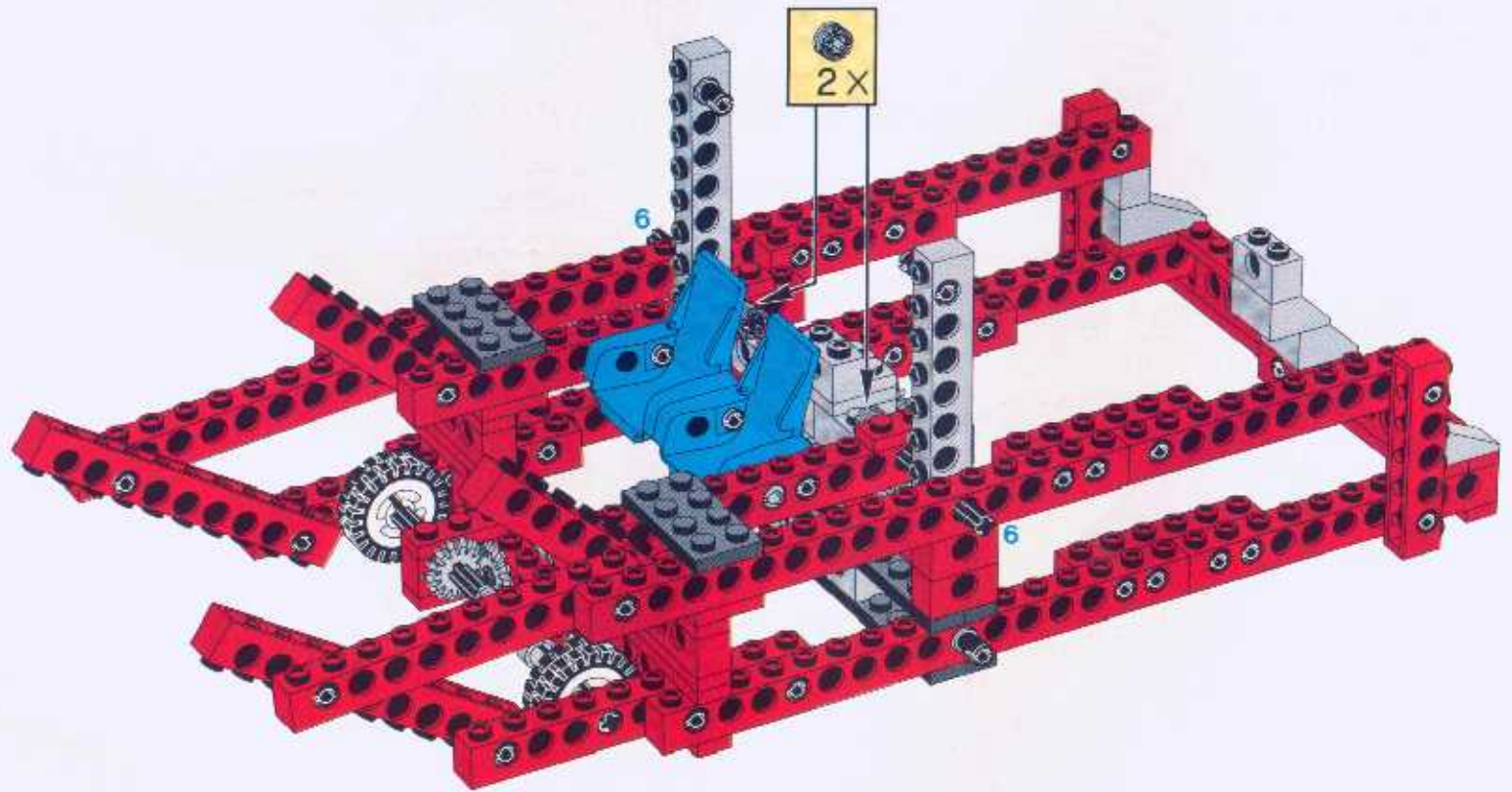




8

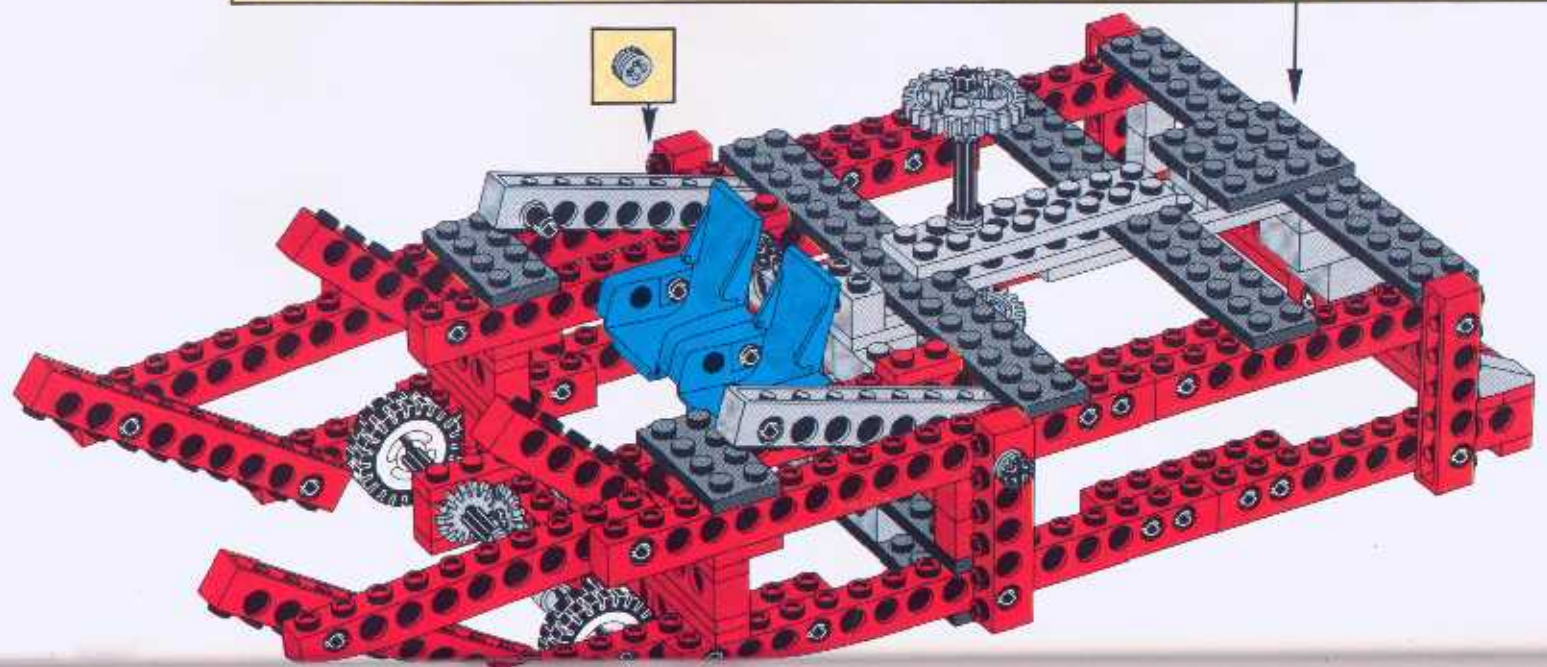
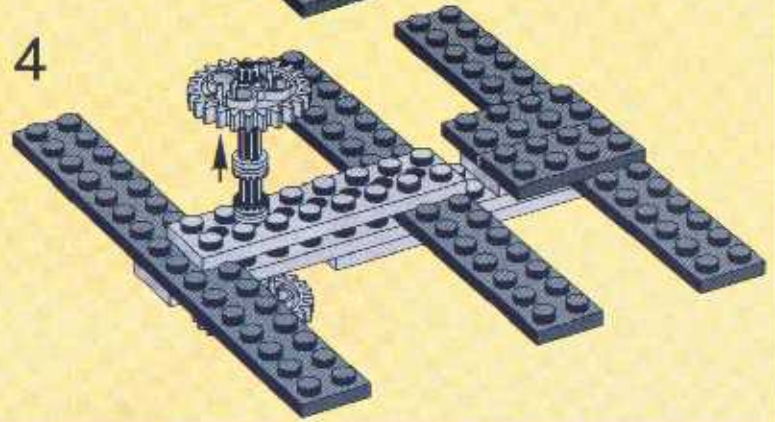
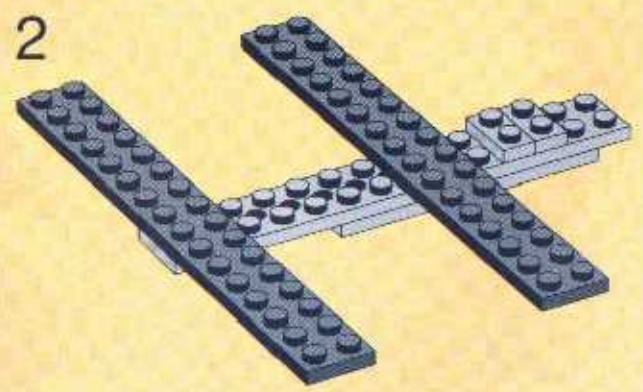
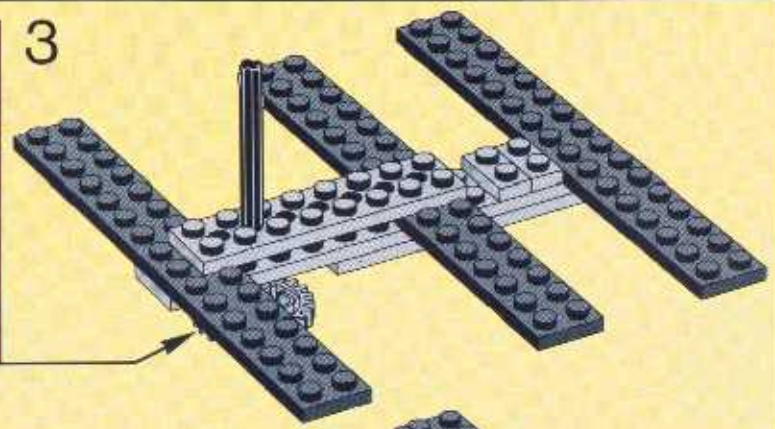
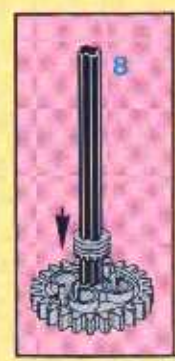
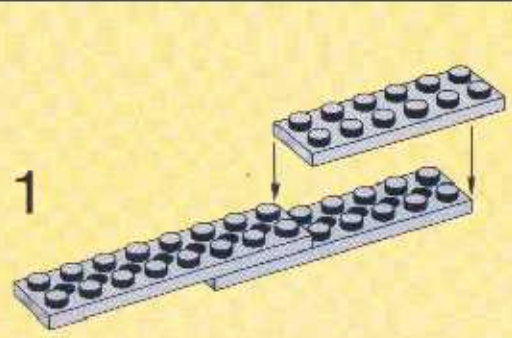


- 2x [grey 1x5 Technic brick with holes]
- 2x [red 1x5 Technic brick with holes]
- 2x [grey 1x6 Technic brick with holes]
- 2x [red 1x6 Technic brick with holes]
- 2x [black 1x6 Technic axle]
- 2x [black Technic pin]
- 2x [grey Technic bush]
- 6 [grey Technic bush]



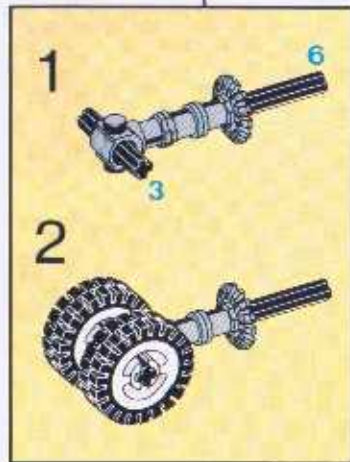
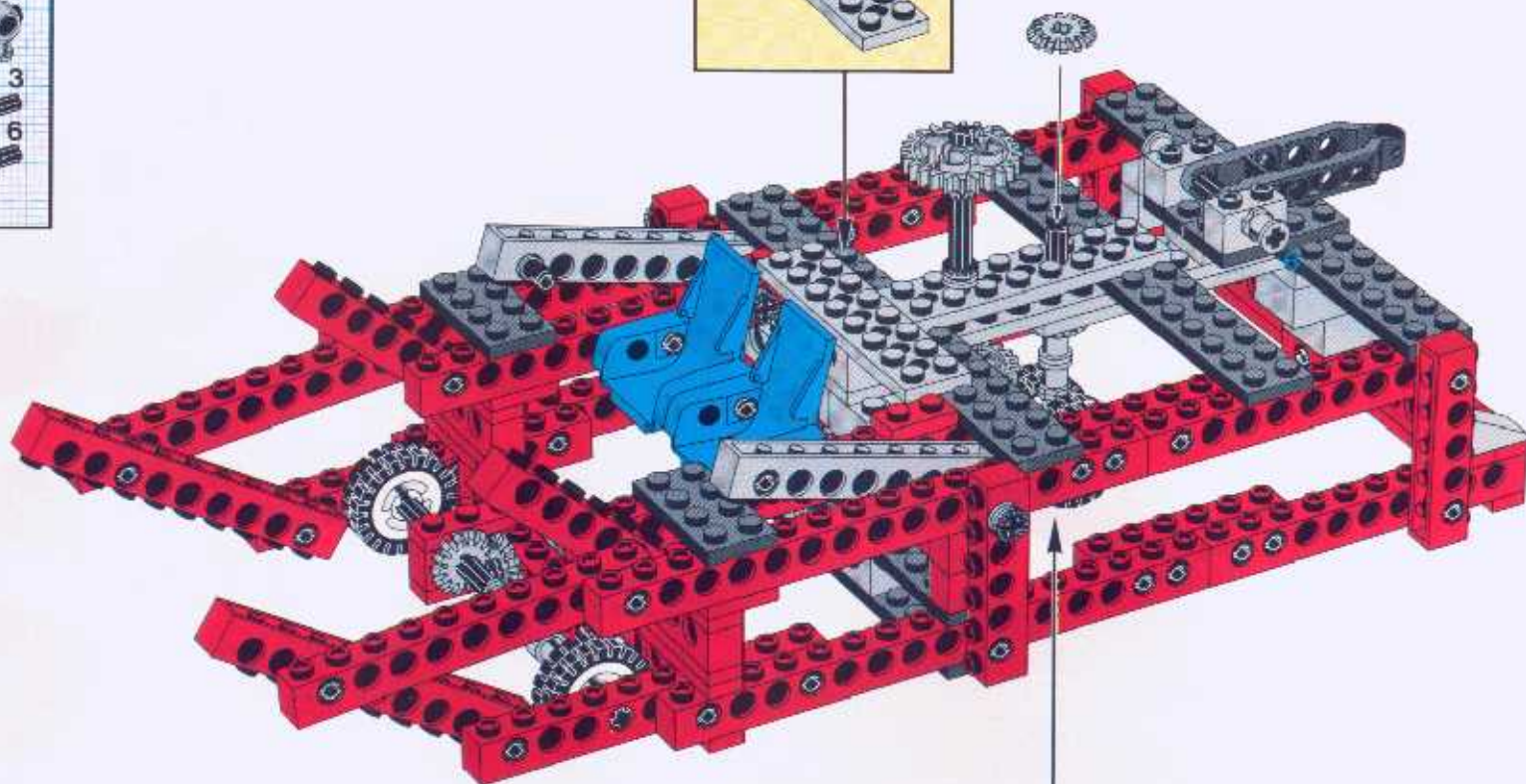
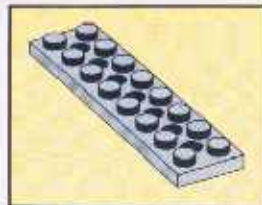
10

- 2x
- 2x
- 1x
- 3x
- 3x
- 2x
- 1x
- 2x
- 5x

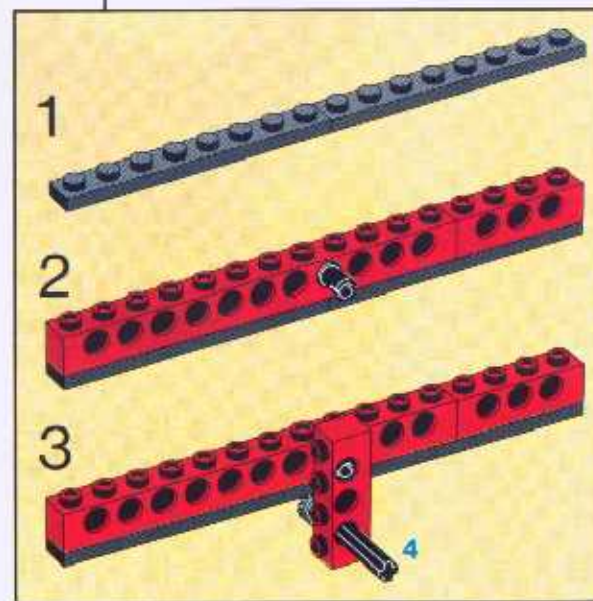
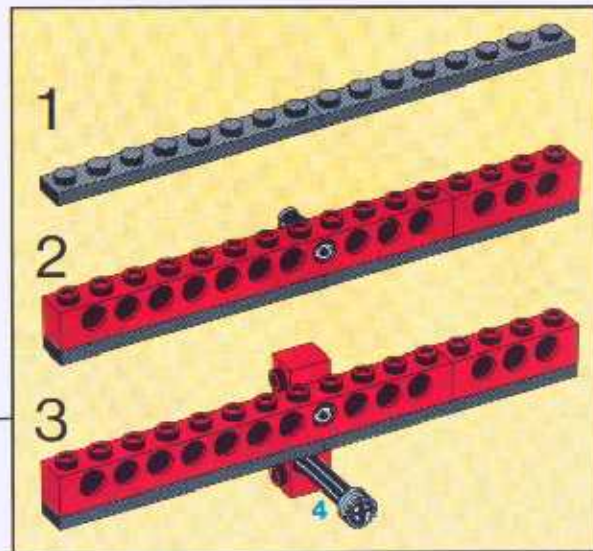
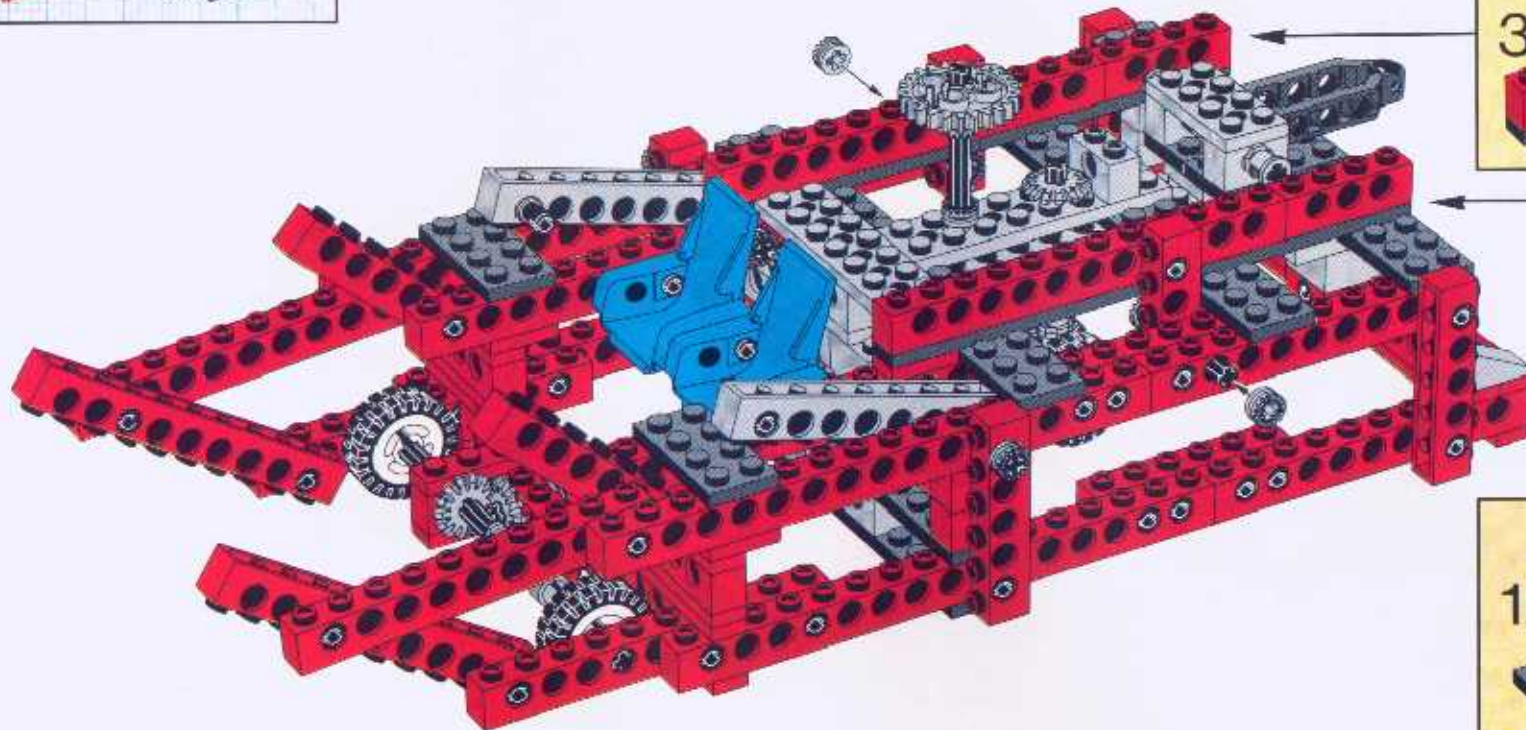




- 2x [Small grey 1x2 brick]
- 1x [Grey 1x10 Technic beam]
- 4x [Grey Technic pin]
- 1x [Black 1x3 Technic axle]
- 1x [Grey Technic bush]
- 2x [White Technic axle with gear]
- 2x [Grey Technic gear]
- 1x [Grey Technic axle with gear]
- 3 [Grey Technic pins]
- 2x [Grey Technic axle with gear]
- 2x [Grey Technic axle with gear]
- 1x [Grey Technic axle with gear]
- 6 [Grey Technic pins]

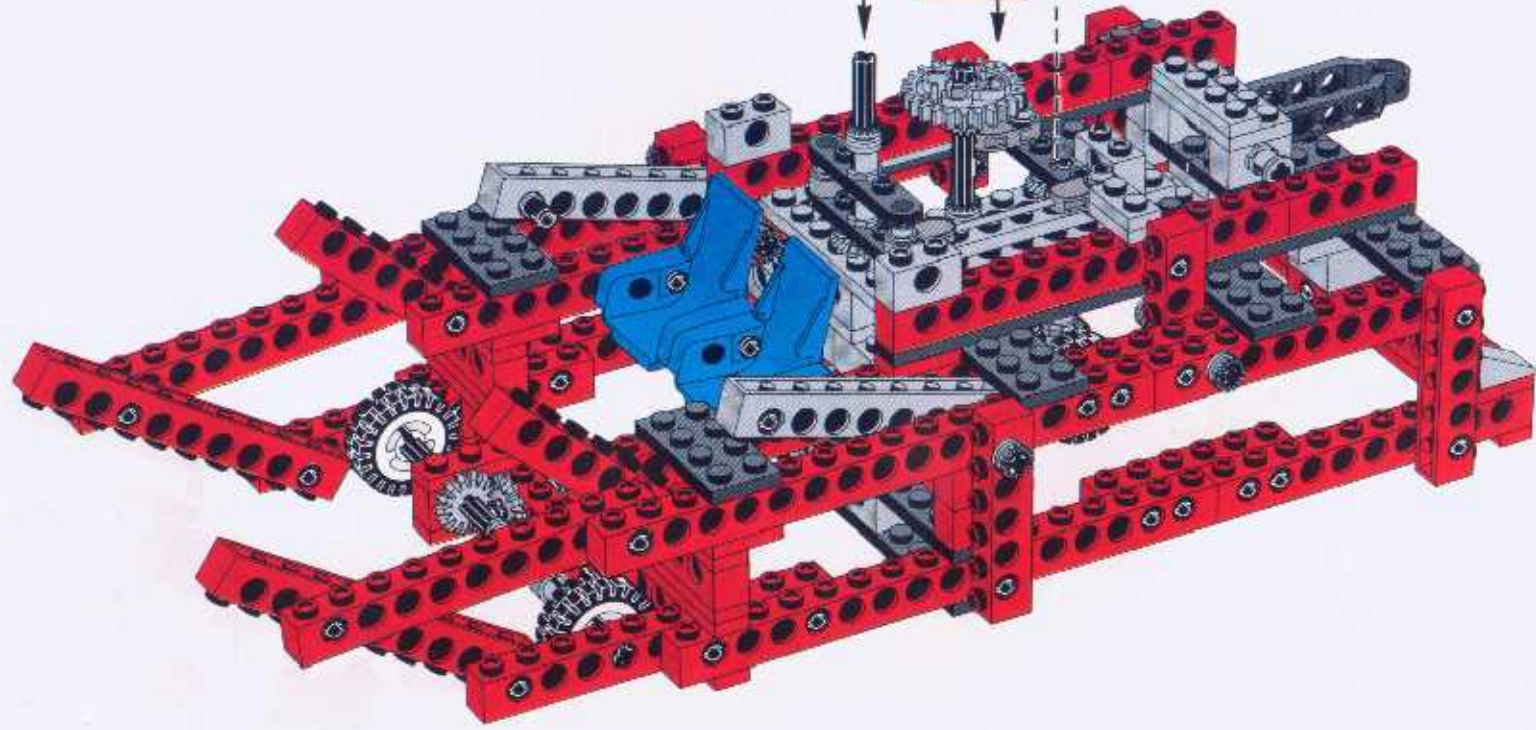
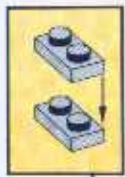
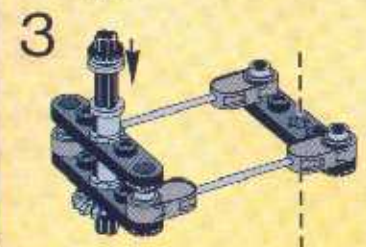
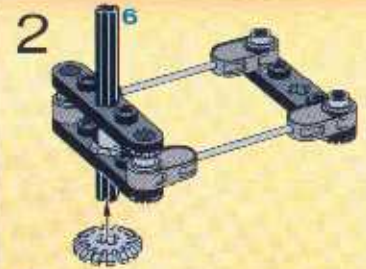
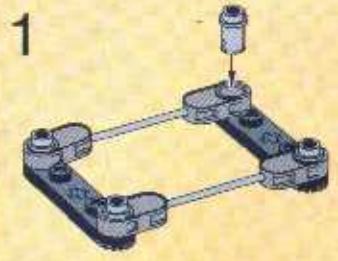
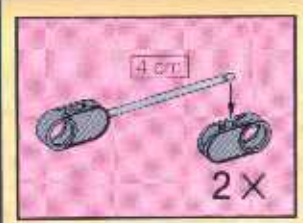


12

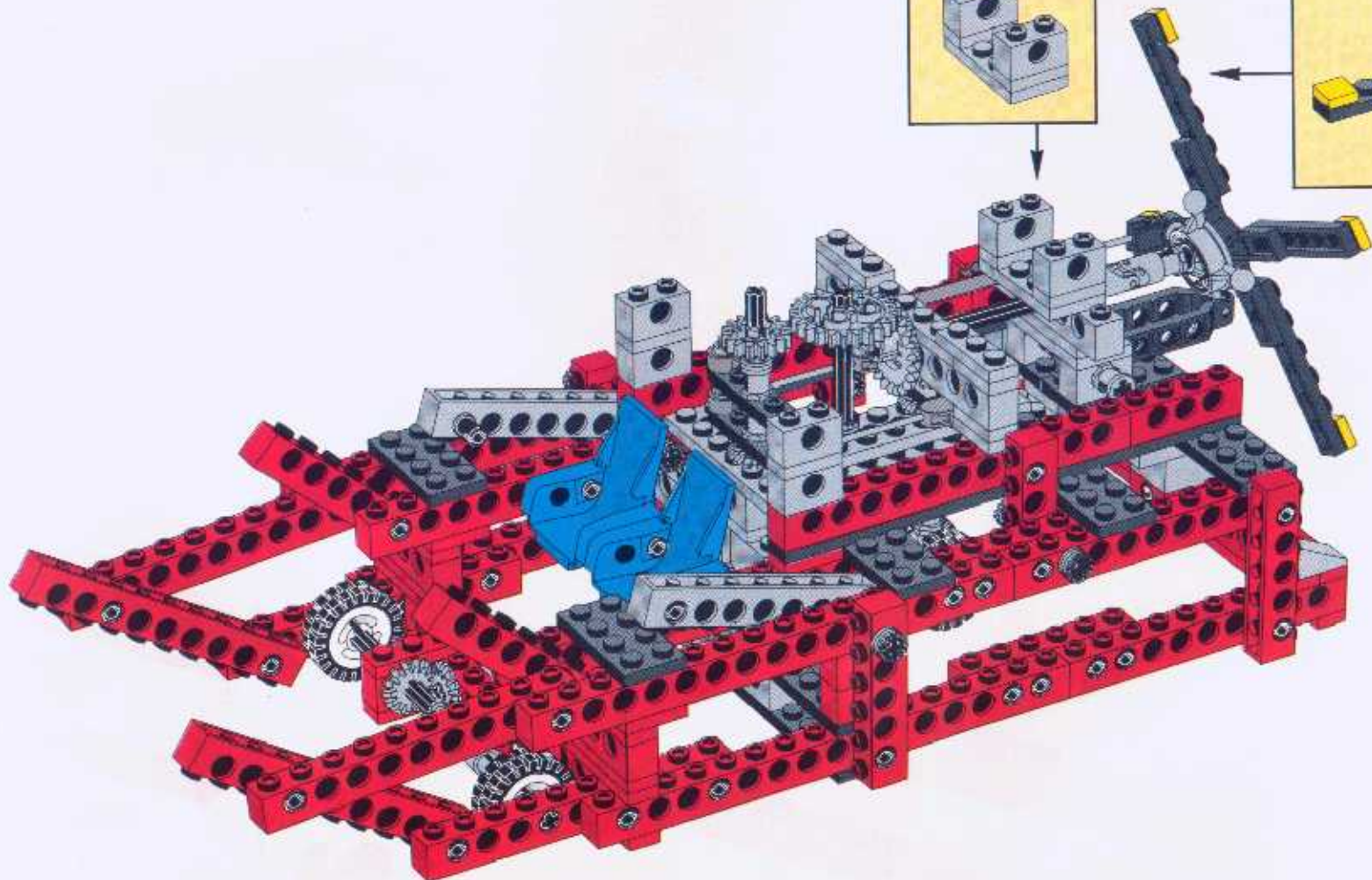
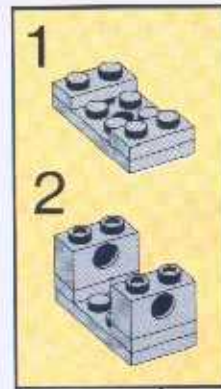
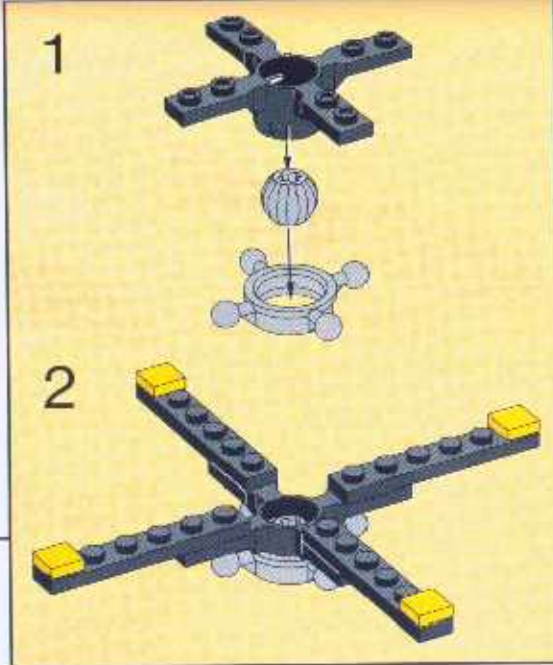


13

- 4x [1x2 grey Technic beam]
- 2x [grey Technic pin]
- 1x [grey Technic bush]
- 1x [1x4 grey Technic beam]
- 1x [grey Technic gear]
- 4x [grey Technic axle]
- 2x [grey Technic axle]
- 6 [grey Technic axle]
- 3x [1x3 grey Technic beam]
- 1x [grey Technic axle]

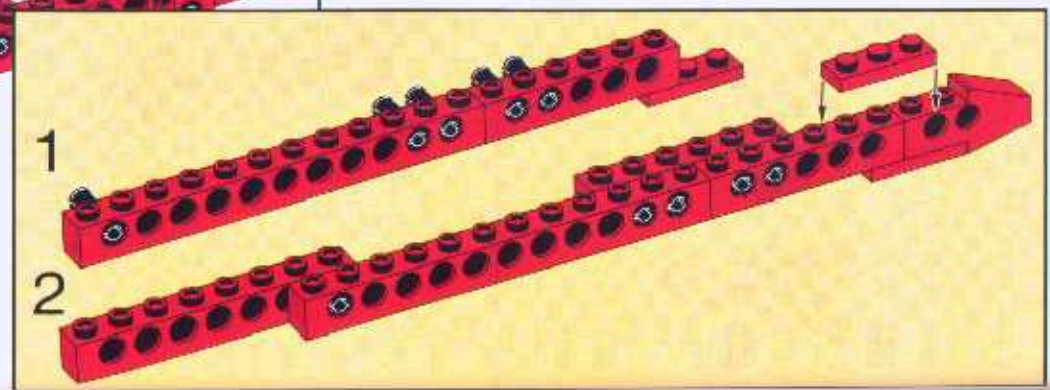
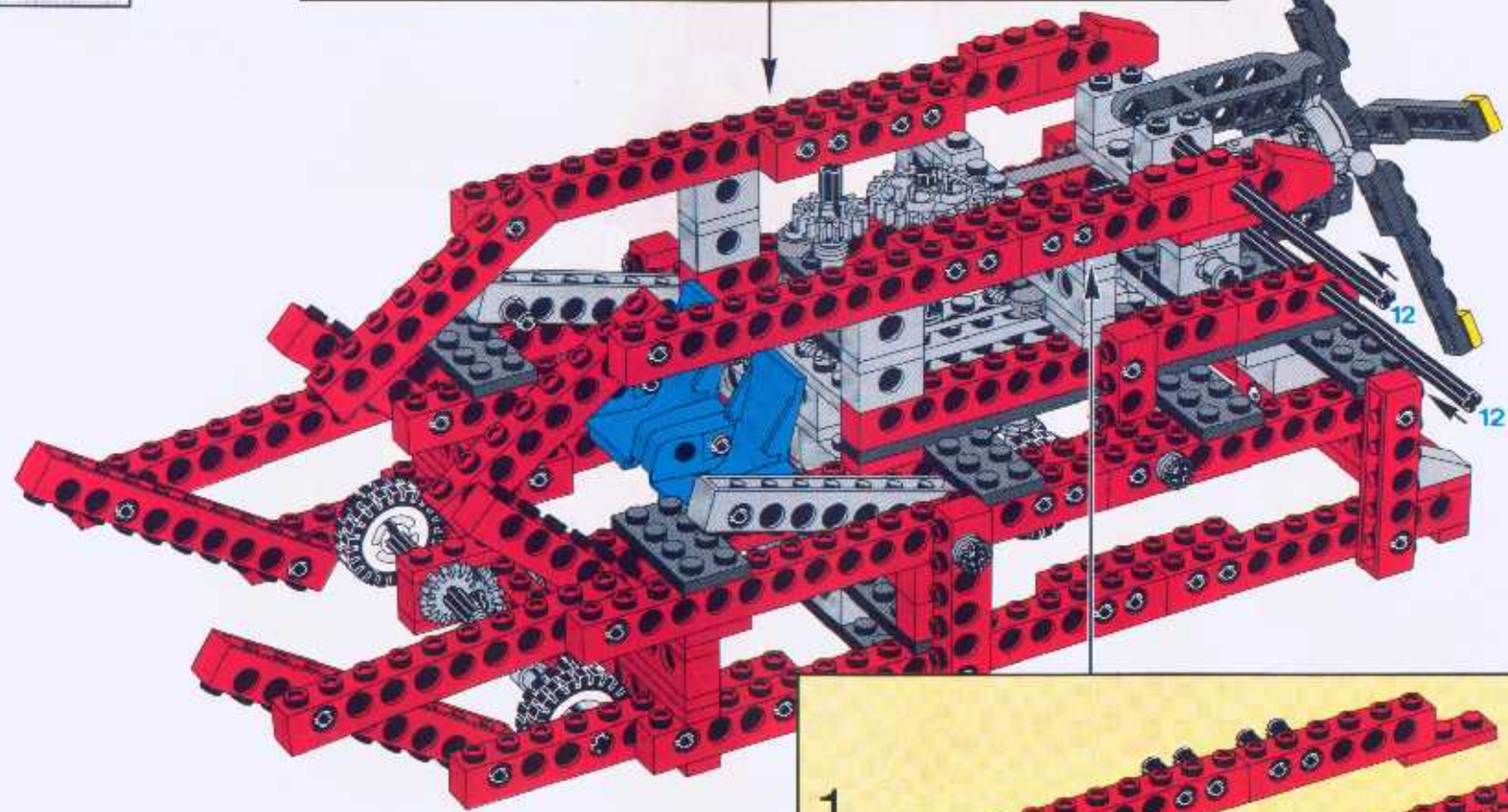
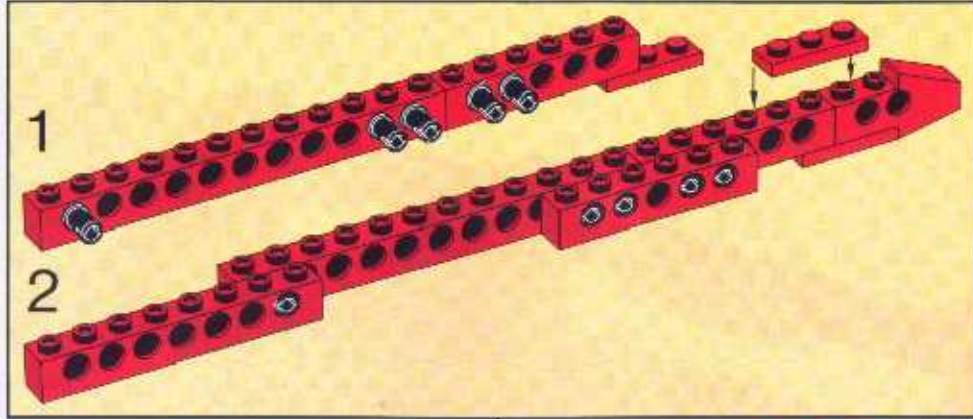


- 4x Yellow Technic Pin
- 1x Black Technic Cross
- 2x Grey Technic 1x2 Brick with Hole
- 2x Grey Technic 1x4 Beam with Hole
- 4x Grey Technic 1x6 Beam with Hole
- 4x Grey Technic 1x2 Brick with Hole
- 1x Grey Technic Round Technic Pin
- 1x Grey Technic Gear
- 1x Grey Technic Ring
- 1x Grey Technic 1x2 Brick with Hole

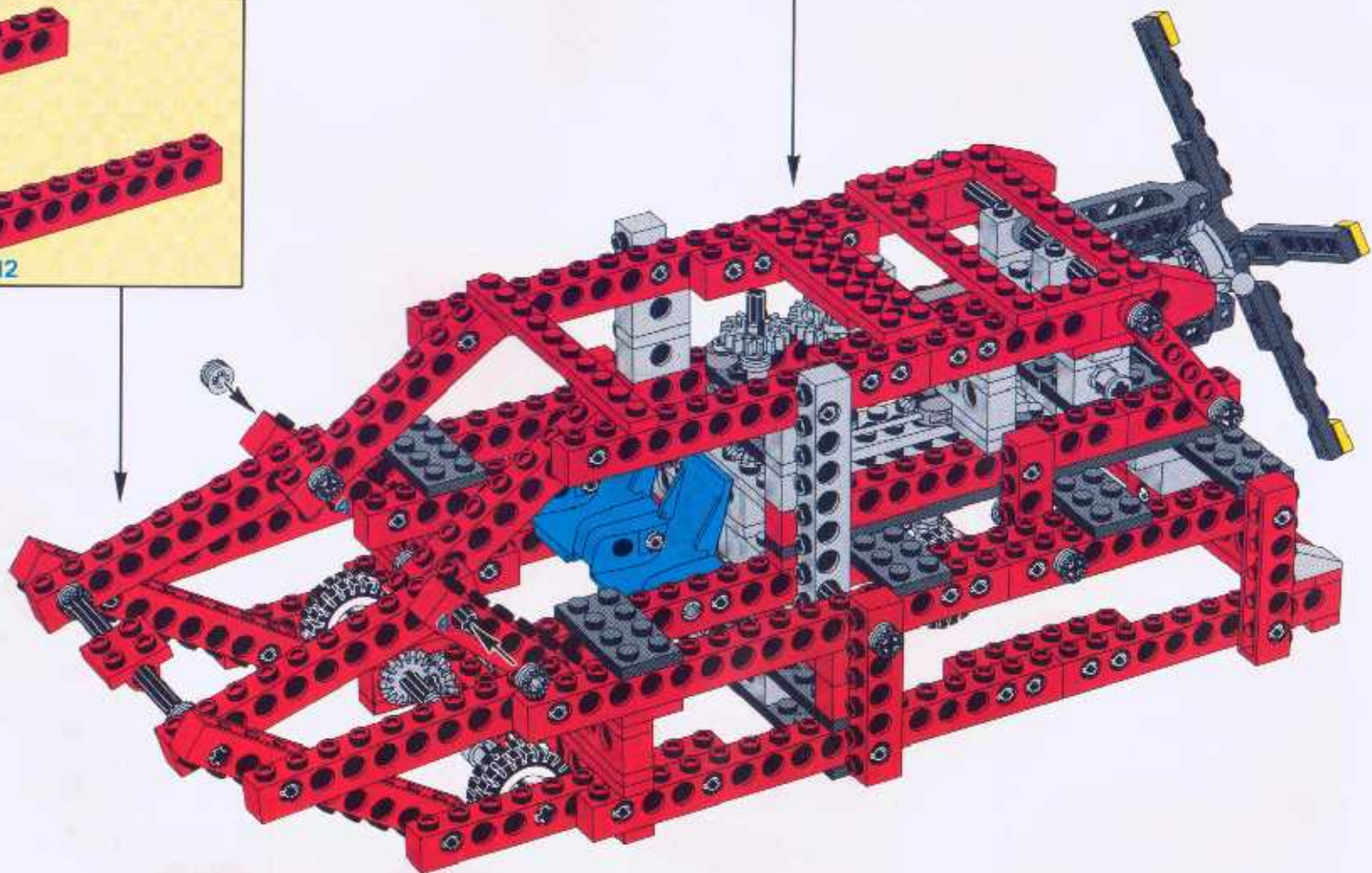
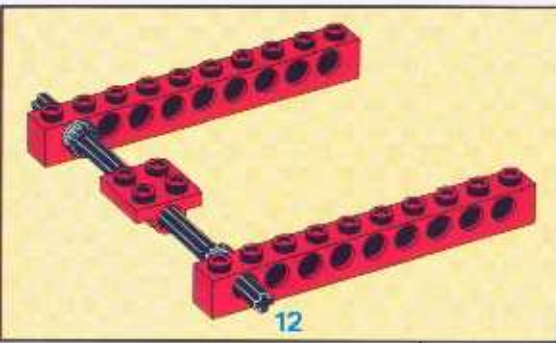
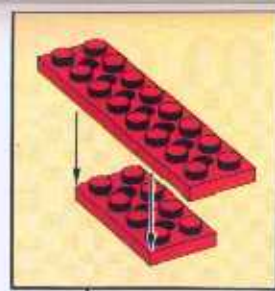


16

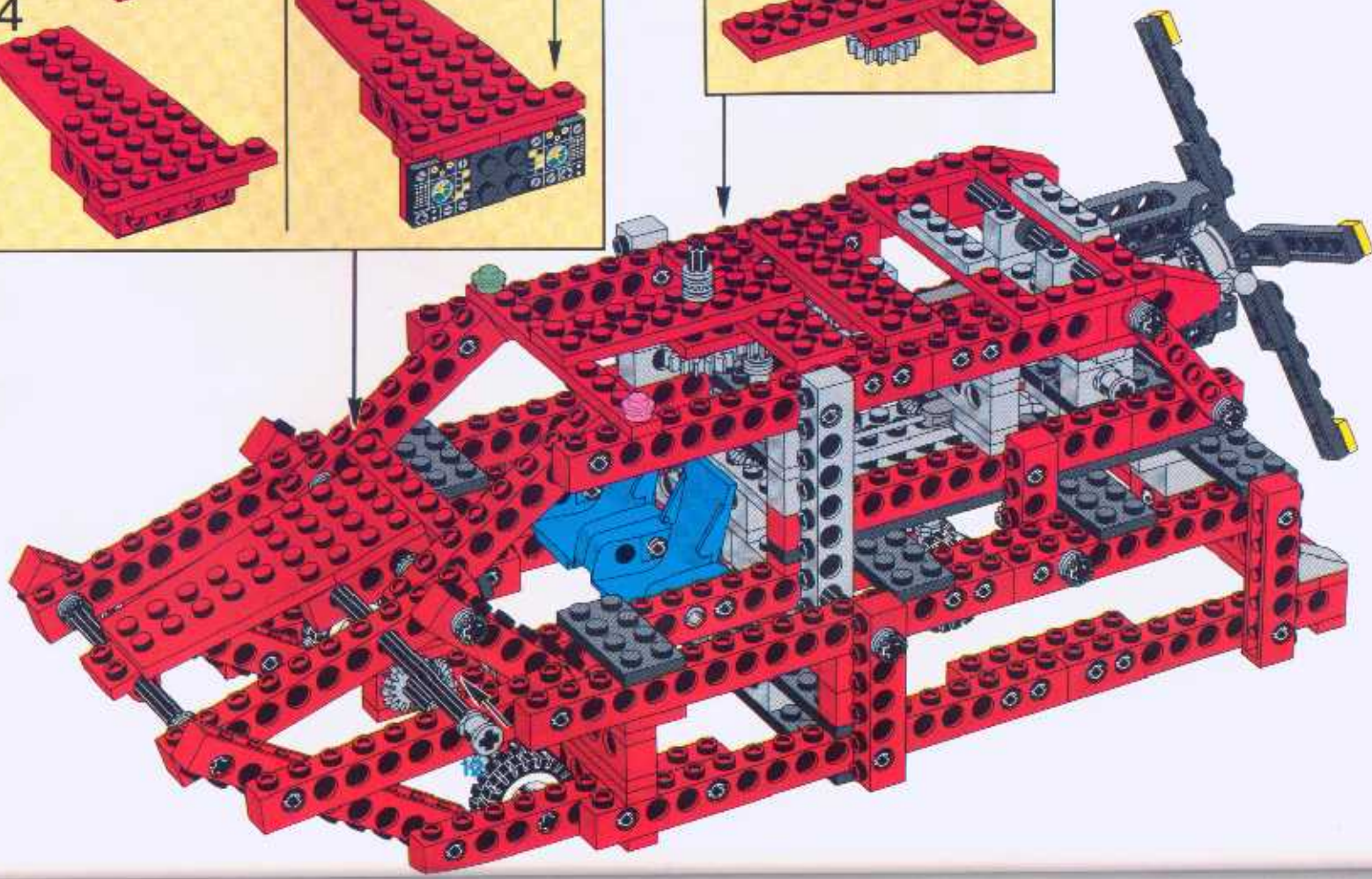
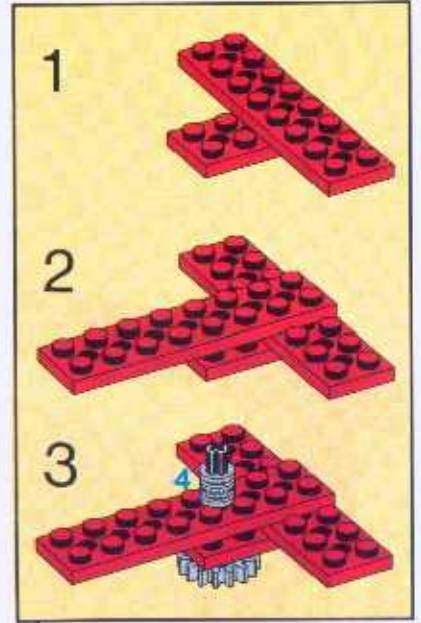
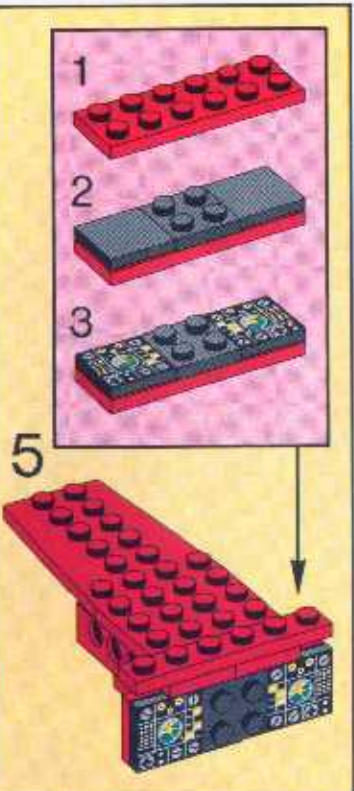
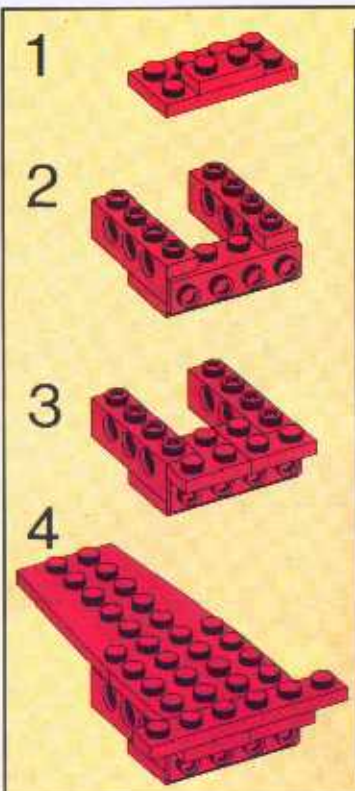
- 4x [Red 1-hole Technic beam]
- 4x [Red 2-hole Technic beam]
- 2x [Red 3-hole Technic beam]
- 2x [Red 4-hole Technic beam]
- 1x [Grey Technic axle]
- 2x [Grey Technic axle]
- 10x [Grey Technic pin]
- 12 [Grey Technic axle]
- 2x [Red Technic bush]



- 1x [red 1x5 Technic beam]
- 10x [grey Technic pin]
- 1x [red 1x10 Technic beam]
- 1x [red 1x15 Technic beam]
- 3x [red 1x20 Technic beam]
- 2x [red 1x25 Technic beam]
- 2x [red 1x30 Technic beam]
- 2x [red 1x4 Technic beam]
- 1x [red 1x2 Technic beam]
- 2x [grey Technic axle]
- 4 [grey Technic bush]
- 12 [grey Technic axle]
- 1x [red 1x2 Technic beam]



- 1x Red 1-hole Technic brick
- 2x Grey 1-hole Technic brick
- 1x Red 2-hole Technic brick
- 1x Grey 2-hole Technic brick
- 1x Red 3-hole Technic brick
- 2x Red 4-hole Technic brick
- 2x Red 5-hole Technic brick
- 1x Red 6-hole Technic brick
- 1x Red 7-hole Technic brick
- 1x Red 8-hole Technic brick
- 1x Red 9-hole Technic brick
- 1x Red 10-hole Technic brick
- 1x Red 11-hole Technic brick
- 1x Red 12-hole Technic brick
- 1x Black 12-hole Technic axle
- 2x Red 1-hole Technic pin
- 2x Grey 1-hole Technic pin
- 2x Grey 2-hole Technic pin
- 1x Grey 3-hole Technic pin
- 1x Green 1-hole Technic pin
- 1x Pink 1-hole Technic pin
- 1x Grey 1-hole Technic bush
- 1x Grey 2-hole Technic bush
- 1x Grey 3-hole Technic bush
- 1x Grey 4-hole Technic bush
- 1x Grey 5-hole Technic bush
- 1x Grey 6-hole Technic bush
- 1x Grey 7-hole Technic bush
- 1x Grey 8-hole Technic bush
- 1x Grey 9-hole Technic bush
- 1x Grey 10-hole Technic bush
- 1x Grey 11-hole Technic bush
- 1x Grey 12-hole Technic bush
- 1x Grey 13-hole Technic bush
- 1x Grey 14-hole Technic bush
- 1x Grey 15-hole Technic bush
- 1x Grey 16-hole Technic bush
- 1x Grey 17-hole Technic bush
- 1x Grey 18-hole Technic bush
- 1x Grey 19-hole Technic bush
- 1x Grey 20-hole Technic bush
- 1x Grey 21-hole Technic bush
- 1x Grey 22-hole Technic bush
- 1x Grey 23-hole Technic bush
- 1x Grey 24-hole Technic bush
- 1x Grey 25-hole Technic bush
- 1x Grey 26-hole Technic bush
- 1x Grey 27-hole Technic bush
- 1x Grey 28-hole Technic bush
- 1x Grey 29-hole Technic bush
- 1x Grey 30-hole Technic bush
- 1x Grey 31-hole Technic bush
- 1x Grey 32-hole Technic bush
- 1x Grey 33-hole Technic bush
- 1x Grey 34-hole Technic bush
- 1x Grey 35-hole Technic bush
- 1x Grey 36-hole Technic bush
- 1x Grey 37-hole Technic bush
- 1x Grey 38-hole Technic bush
- 1x Grey 39-hole Technic bush
- 1x Grey 40-hole Technic bush
- 1x Grey 41-hole Technic bush
- 1x Grey 42-hole Technic bush
- 1x Grey 43-hole Technic bush
- 1x Grey 44-hole Technic bush
- 1x Grey 45-hole Technic bush
- 1x Grey 46-hole Technic bush
- 1x Grey 47-hole Technic bush
- 1x Grey 48-hole Technic bush
- 1x Grey 49-hole Technic bush
- 1x Grey 50-hole Technic bush
- 1x Grey 51-hole Technic bush
- 1x Grey 52-hole Technic bush
- 1x Grey 53-hole Technic bush
- 1x Grey 54-hole Technic bush
- 1x Grey 55-hole Technic bush
- 1x Grey 56-hole Technic bush
- 1x Grey 57-hole Technic bush
- 1x Grey 58-hole Technic bush
- 1x Grey 59-hole Technic bush
- 1x Grey 60-hole Technic bush
- 1x Grey 61-hole Technic bush
- 1x Grey 62-hole Technic bush
- 1x Grey 63-hole Technic bush
- 1x Grey 64-hole Technic bush
- 1x Grey 65-hole Technic bush
- 1x Grey 66-hole Technic bush
- 1x Grey 67-hole Technic bush
- 1x Grey 68-hole Technic bush
- 1x Grey 69-hole Technic bush
- 1x Grey 70-hole Technic bush
- 1x Grey 71-hole Technic bush
- 1x Grey 72-hole Technic bush
- 1x Grey 73-hole Technic bush
- 1x Grey 74-hole Technic bush
- 1x Grey 75-hole Technic bush
- 1x Grey 76-hole Technic bush
- 1x Grey 77-hole Technic bush
- 1x Grey 78-hole Technic bush
- 1x Grey 79-hole Technic bush
- 1x Grey 80-hole Technic bush
- 1x Grey 81-hole Technic bush
- 1x Grey 82-hole Technic bush
- 1x Grey 83-hole Technic bush
- 1x Grey 84-hole Technic bush
- 1x Grey 85-hole Technic bush
- 1x Grey 86-hole Technic bush
- 1x Grey 87-hole Technic bush
- 1x Grey 88-hole Technic bush
- 1x Grey 89-hole Technic bush
- 1x Grey 90-hole Technic bush
- 1x Grey 91-hole Technic bush
- 1x Grey 92-hole Technic bush
- 1x Grey 93-hole Technic bush
- 1x Grey 94-hole Technic bush
- 1x Grey 95-hole Technic bush
- 1x Grey 96-hole Technic bush
- 1x Grey 97-hole Technic bush
- 1x Grey 98-hole Technic bush
- 1x Grey 99-hole Technic bush
- 1x Grey 100-hole Technic bush



2

