



STAR WARS

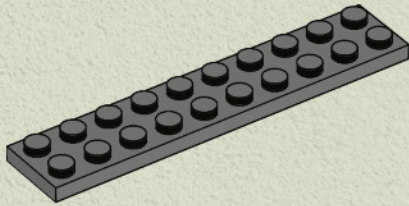


30242

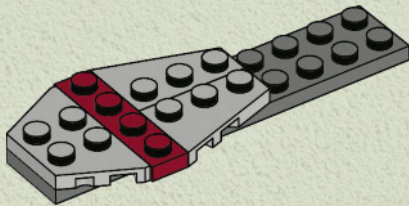


6035124

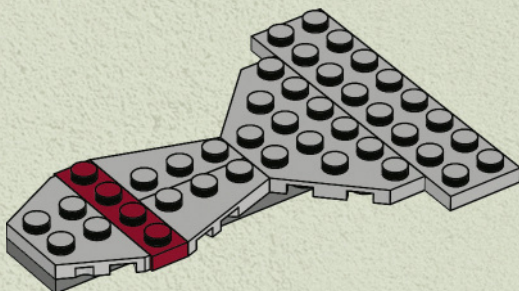
1



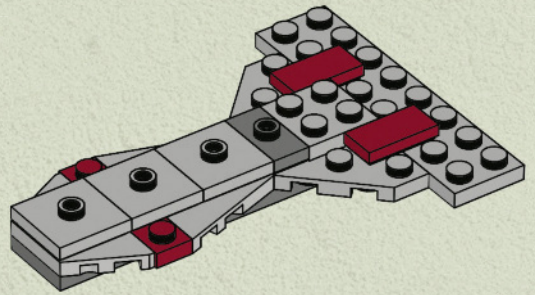
2



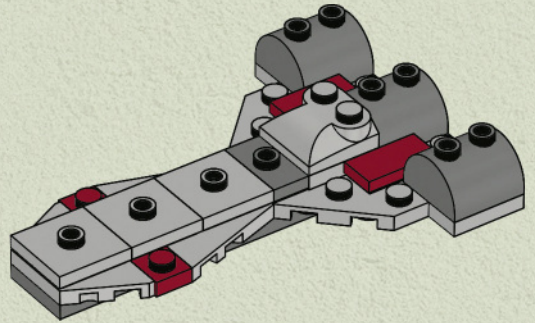
3



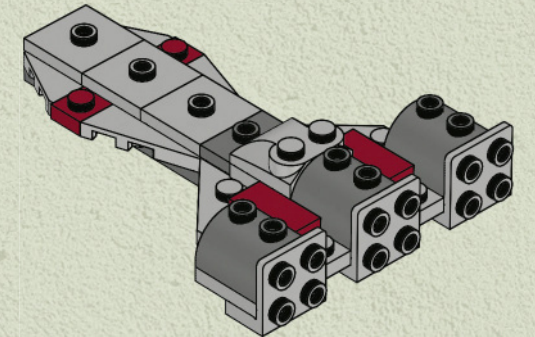
4



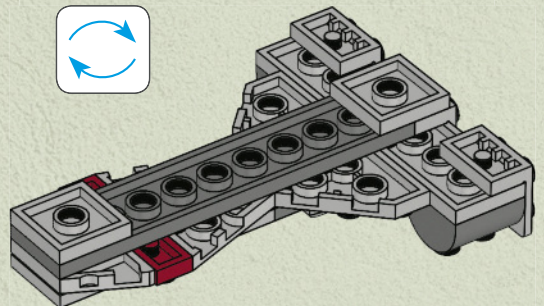
5



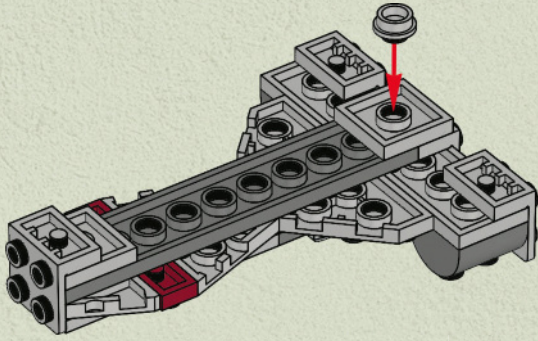
6



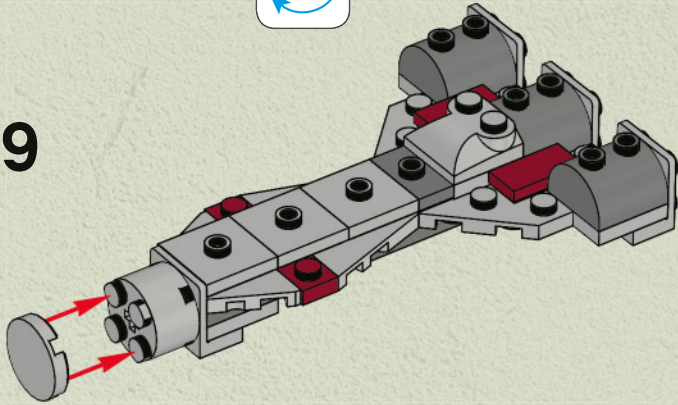
7



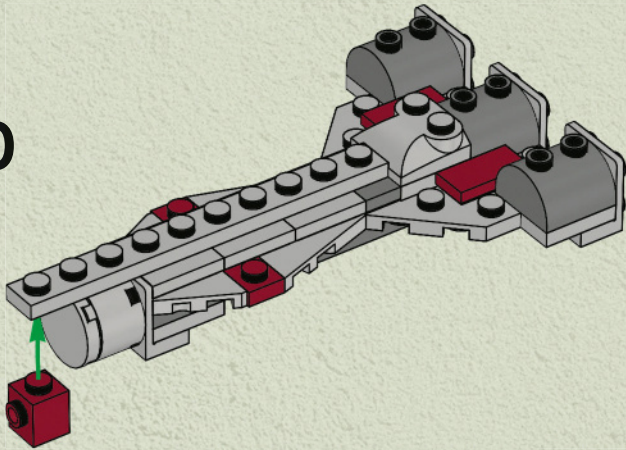
8



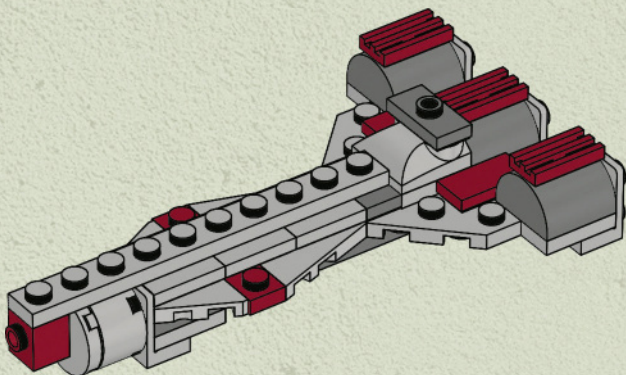
9



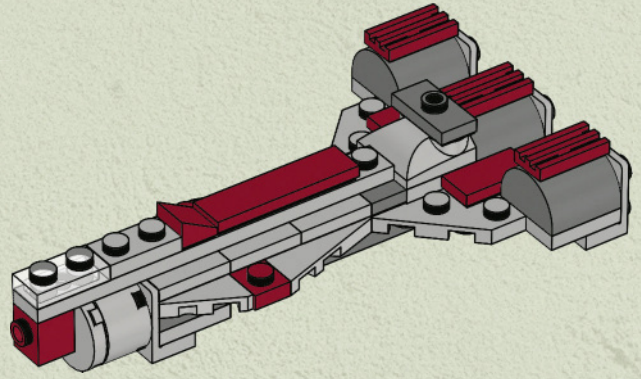
10



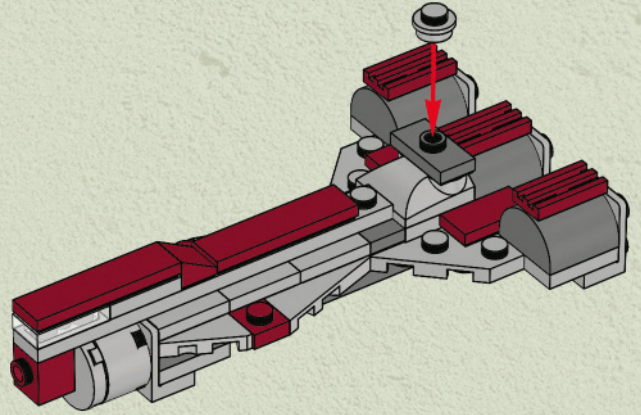
11



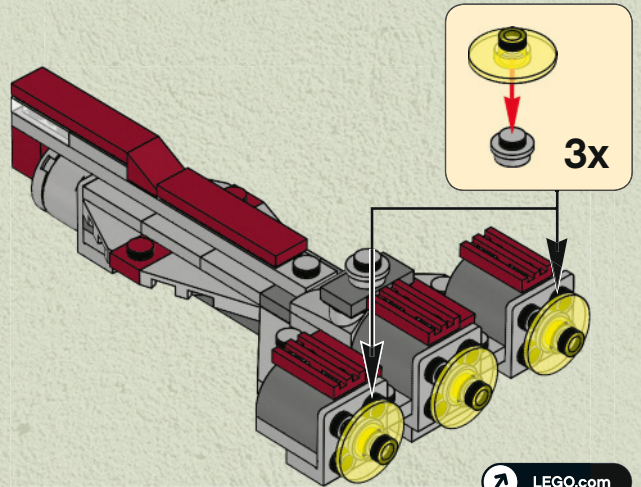
12




13



14



 LEGO.com

LEGO.com/club LEGO.com/service
LEGO and the LEGO logo are trademarks of the LEGO Group. ©2013 The LEGO Group.
© 2013 Lucasfilm Ltd. & TM. All rights reserved. 6035124

