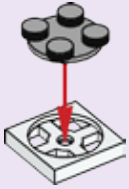

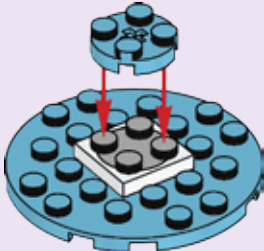

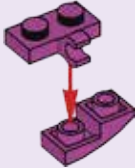

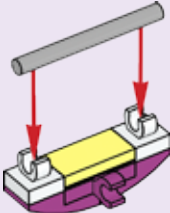
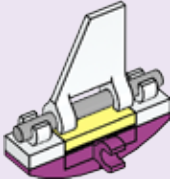
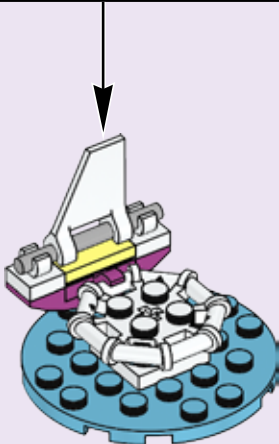


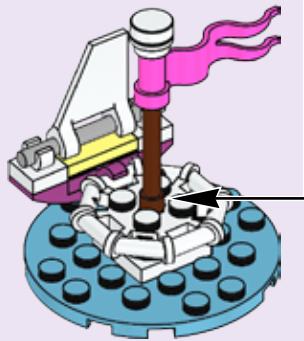
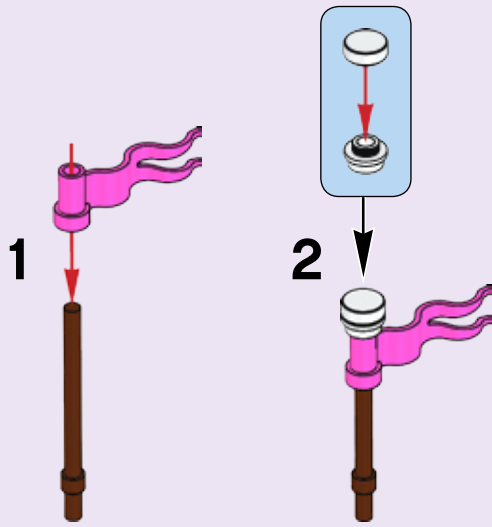


- 1 
- 2 
- 3 
- 4 

5

- 1 
 - 2 
 - 3 
 - 4 
-
- 

6



LEGO.com/service

LEGO, the LEGO logo and the FRIENDS logo are trademarks of the LEGO Group. ©2018 The LEGO Group.

6224909



41340



41333



41335



41336