



DIMENSIONS™



NINJAGO™

Masters of Spinjitzu

71234



LEGO.com/dimensions

This device complies with part 15 of the FCC Rules. Operation is subject to the following two conditions:

(1) This device may not cause harmful interference, and (2) this device must accept any interference received, including interference that may cause undesired operation.

This device should be installed and operated with a minimum distance of 20 cm to your body.

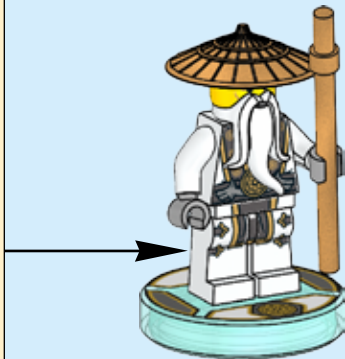
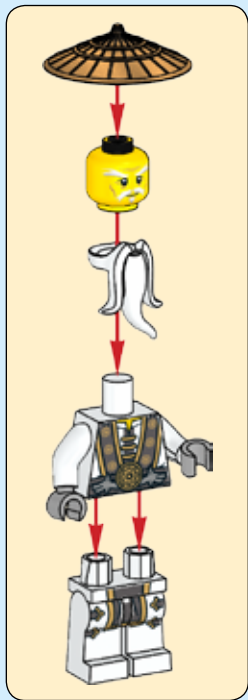
NOTE: This equipment has been tested and found to comply with the limits for a Class B digital device, pursuant to part 15 of the FCC Rules. These limits are designed to provide reasonable protection against harmful interference in a residential installation. This equipment generates, uses and can radiate radio frequency energy and, if not installed and used in accordance with the instructions, may cause harmful interference to radio communications. However, there is no guarantee that interference will not occur in a particular installation. If this equipment does cause harmful interference to radio or television reception, which can be determined by turning the equipment off and on, the user is encouraged to try to correct the interference by one or more of the following measures:

- Reorient or relocate the receiving antenna.
- Increase the separation between the equipment and receiver.
- Connect the equipment into an outlet on a circuit different from that to which the receiver is connected.
- Consult the dealer or an experienced radio/TV technician for help.

Caution: changes or modifications not expressly approved by the party responsible for compliance could void the user's authority to operate the equipment.

This Class B digital apparatus complies with Canadian ICES-003.

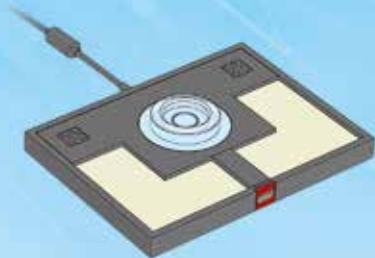
Cet appareil numérique de la classes B est conforme à la norme NMB-003 de Canada.



1

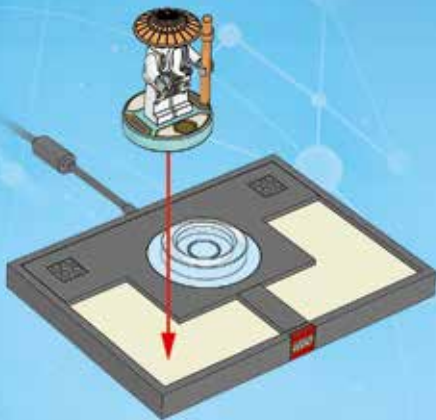


+



Start game
Commence le jeu
Iniciar juego

2



3

- Continue building using the in-game building instructions
- Continue à construire en utilisant les instructions de construction figurant dans le jeu
- Sigue construyendo con las instrucciones de construcción incluidas en el juego



DIMENSIONS™

LEVEL PACKS
ENSEMBLES NIVEAUX
PACKS DE NIVELES



71201

GHOSTBUSTERS



71228



71202

PORTAL 2



71203

MIDWAY ARCADE



71235

DOCTOR WHO



71204



DIMENSIONS™

TEAM PACKS
ENSEMBLES ÉQUIPES
PACKS DE EQUIPOS



71205



71207



71206



71229



DIMENSIONS™

FUN PACKS
ENSEMBLES AMUSANTS
PACKS DE DIVERSIÓN



71209 71210 71211 71212 71213



71214 71215 71216 71217 71218



71219 71220 71221 71222



DIMENSIONS™

FUN PACKS
ENSEMBLES AMUSANTS
PACKS DE DIVERSIÓN



71223

71227

71230

71231

71232



71233



71234



71236



71237



71238



71239



71240



71241

LEGO DIMENSIONS Videogame software © 2016 TT Games Ltd. Produced by TT Games under license from the LEGO Group. LEGO, the LEGO logo, LEGENDS OF CHIMA, the LEGENDS OF CHIMA logo, NINJAGO, the NINJAGO logo, the Brick and Knob configurations and the Minifigure are trademarks and/or copyrights of the LEGO Group. ©2016 The LEGO Group. BBC logo © BBC 1996. Doctor Who logo © BBC 2009. Dalek image © BBC/Terry Nation 1963. Cyberman image © BBC/Kit Pedler/Gerry Davis 1966. K-9 image © BBC/Bob Baker/Dave Martin 1977. Licensed by BBC Worldwide Limited. ™ & © 2016 Fox. Ghostbusters™ & © 2016 CPlI. All Rights Reserved. ™ & © Universal Studios and U-Drive Joint Venture. ™ & © Universal Studios and Amblin. ™ & © Hanna-Barbera. (s16). © Turner Entertainment Co. ™ & © WBEI. (s16). © & ™ Valve. All other trademarks and copyrights are the property of their respective owners. All rights reserved.

Logiciel de jeu vidéo LEGO DIMENSIONS © 2016 TT Games Ltd. Produit par TT Games avec l'autorisation de LEGO Group. LEGO, le logo LEGO, LEGENDS OF CHIMA, le logo LEGENDS OF CHIMA, NINJAGO, le logo NINJAGO, les configurations de la Brique et du Bouton, ainsi que le Minifigure sont des marques de commerce ou des droits d'auteur de LEGO Group. ©2016 The LEGO Group. Logo BBC © BBC 1996. Logo Doctor Who © BBC 2009. Image Dalek © BBC/Terry Nation 1963. Image Cyberman © BBC/Kit Pedler/Gerry Davis 1966. K-9 image © BBC/Bob Baker/Dave Martin 1977. Avec autorisation de BBC Worldwide Limited. ^{MC} et © 2016 Fox. Ghostbusters^{MC} et © 2016 CPlI 2016. Tous droits réservés. ^{MC} et © Universal Studios et U-Drive Joint Venture. ^{MC} et © Universal Studios et Amblin. ^{MC} et © de Hanna-Barbera. (s16). © Turner Entertainment Co. ^{MC} et © WBEI. (s16). © et ^{MC} Valve. Toutes les autres marques de commerce et droits d'auteur sont la propriété de leurs propriétaires respectifs. Tous droits réservés.

LEGO DIMENSIONS Videogame software © 2016 TT Games Ltd. Producido por TT Games con licencia de LEGO Group. LEGO, el logotipo de LEGO, LEGENDS OF CHIMA, el logotipo de LEGENDS OF CHIMA, NINJAGO, el logotipo de NINJAGO, las configuraciones Brick y Knob y la Minifigura son marcas de fábrica y/o derechos de autor de LEGO Group. ©2016 The LEGO Group. Logotipo de BBC © BBC 1996. Logotipo de Doctor Who © BBC 2009. Imagen de Dalek © BBC/ Terry Nation 1963. Imagen de Cyberman © BBC/Kit Pedler/Gerry Davis 1966. Imagen de K-9 © BBC/Bob Baker/Dave Martin 1977. Con licencia de BBC Worldwide Limited. ™ & © 2016 Fox. Ghostbusters™ & © 2016 CPlI. Todos los derechos reservados. ™ & © Universal Studios y U-Drive Joint Venture. ™ & © Universal Studios y Amblin. ™ & © Hanna-Barbera. (s16). © Turner Entertainment Co. ™ & © WBEI. (s16). © & ™ Valve. Todas las marcas comerciales y los derechos de autor son propiedad de sus respectivos titulares. Todos los derechos reservados.



WB GAMES LOGO, WBIE LOGO, WB SHIELD: ™ & © Warner Bros. Entertainment Inc.
LOGO WB GAMES, LOGO WBIE, BOUCLIER WB : ^{MC} et © de Warner Bros. Entertainment Inc.
LOGOTIPO de WB GAMES, LOGOTIPO de WBIE, ESCUDO de WB: ™ & © Warner Bros.
Entertainment Inc.
(s16)

THE LEGO MOVIE © The LEGO Group & WBEI.
LE FILM LEGO © The LEGO Group et WBEI.
LA GRAN AVENTURA LEGO © The LEGO Group & WBEI.

© New Line. ™ & © SZC lic. to WBEI.
© New Line. ^{MC} et © SZC lic. à WBEI.
© New Line. ™ & © SZC con licencia de WBEI.
(s16)



All DC characters and related indicia ™ & © DC Comics. ™ & © WBEI.
Tous les personnages DC et toutes les marques associées ^{MC} et © DC Comics. ^{MC} et © WBEI.
Todos los personajes de DC e indicios relacionados ™ & © DC Comics. ™ & © WBEI.
(s16)



3x
4504369



2x
6051511



1x
302301



2x
242001



2x
362301



5x
6054551



4x
4538353



2x
4632566



1x
4515364



1x
6117237



1x
6117567



1x
6058250



1x
4609289



1x
6032360



2x
6102776



1x
6046922



1x
6129404



1x
6107469



1x
3006840



1x
4178398



2x
6051918



2x
4163917



1x
6104392



1x
6122881



1x
4504376



1x
4211150



2x
4211511



1x
6081992



2x
4523159



4x
6069887



1x
6055313



1x
4649896



4x
4646871



1x
6102986



Customer Service
Service Consommateurs
Servicio Al Consumidor
LEGO.com/dimensions/service