

3542



SPORTS



3540



3541



3542



3543





3540 Puck Passer



3541 Slap Shot



3542 Flip Shot



3543 Slammer Goalie



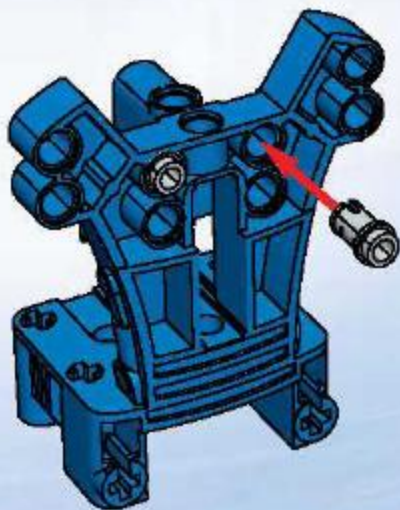
3544 Game Set



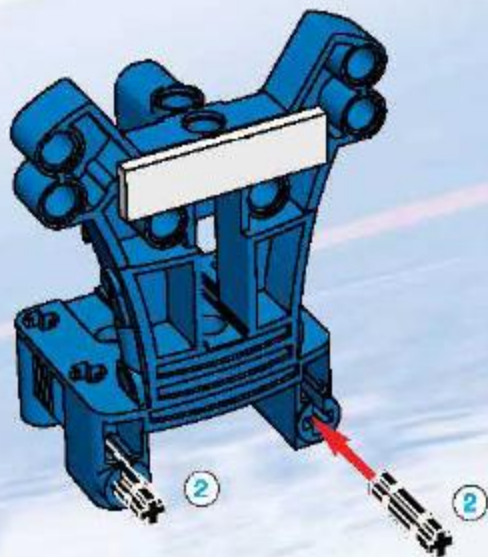
3545 Puck Feeder



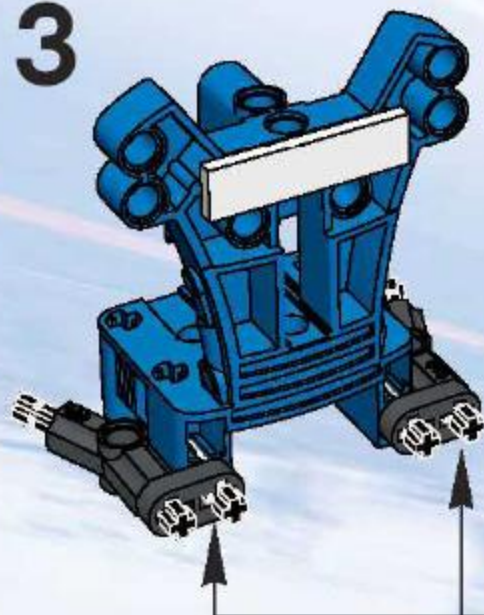
1



2



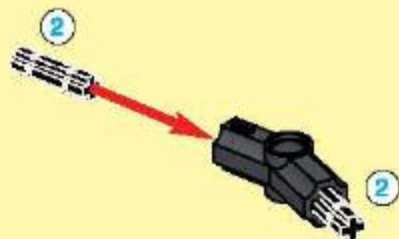
3



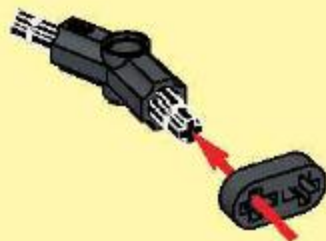
2

1:1

1



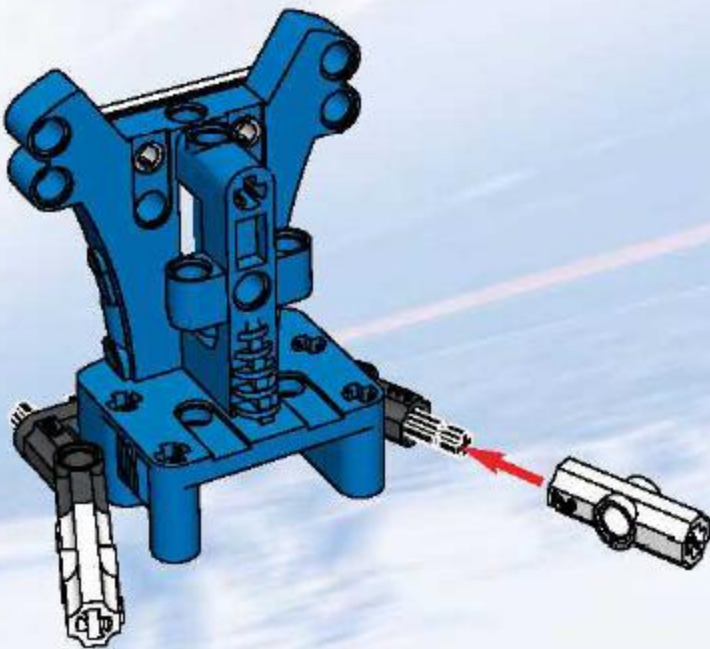
2



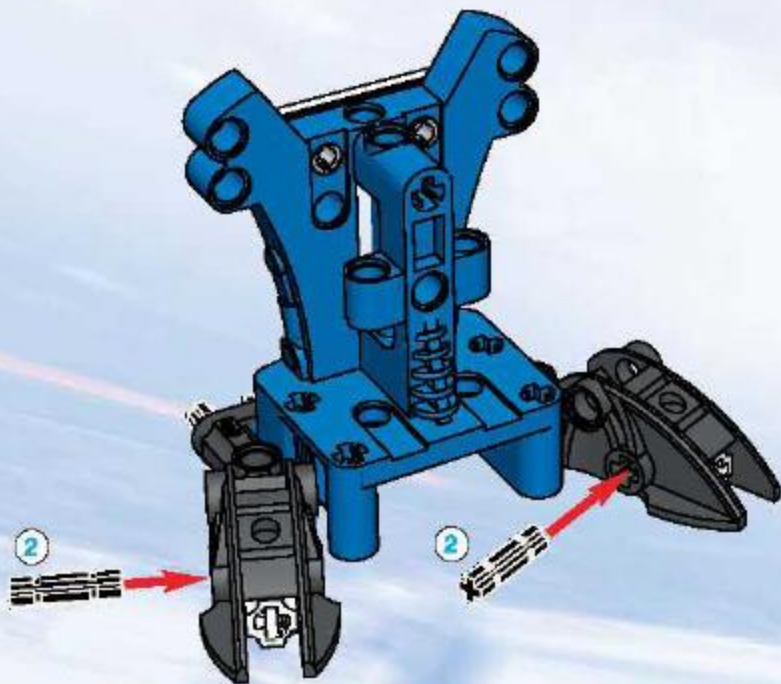
2x



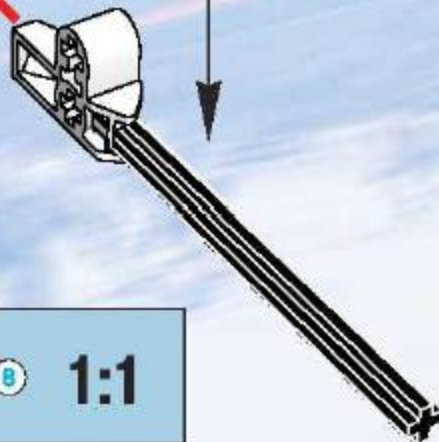
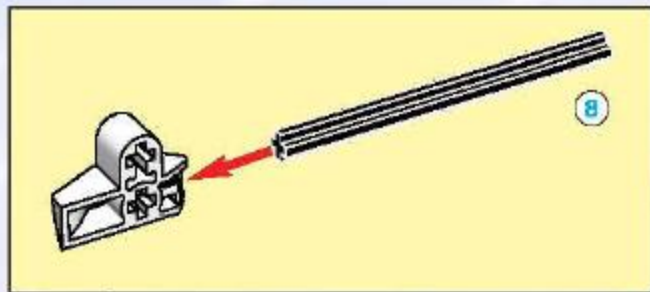
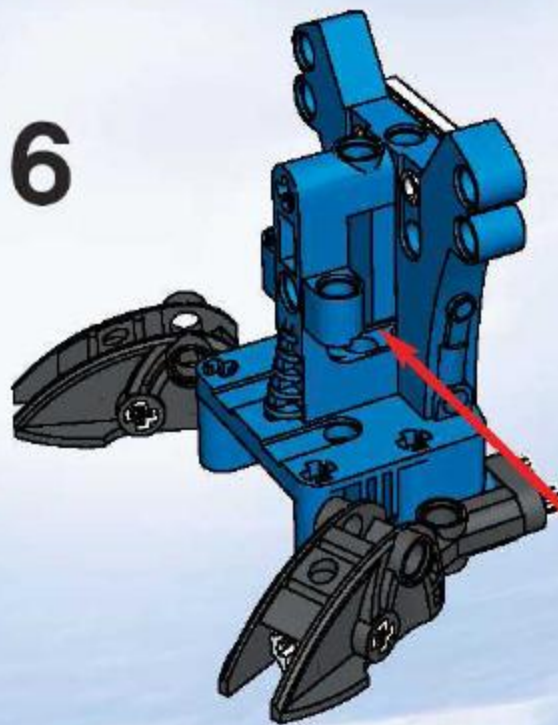
4



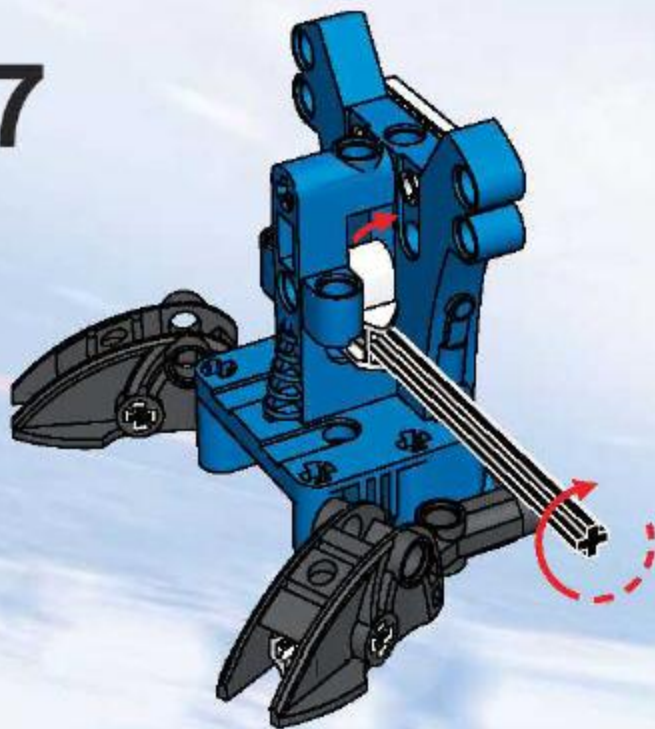
5



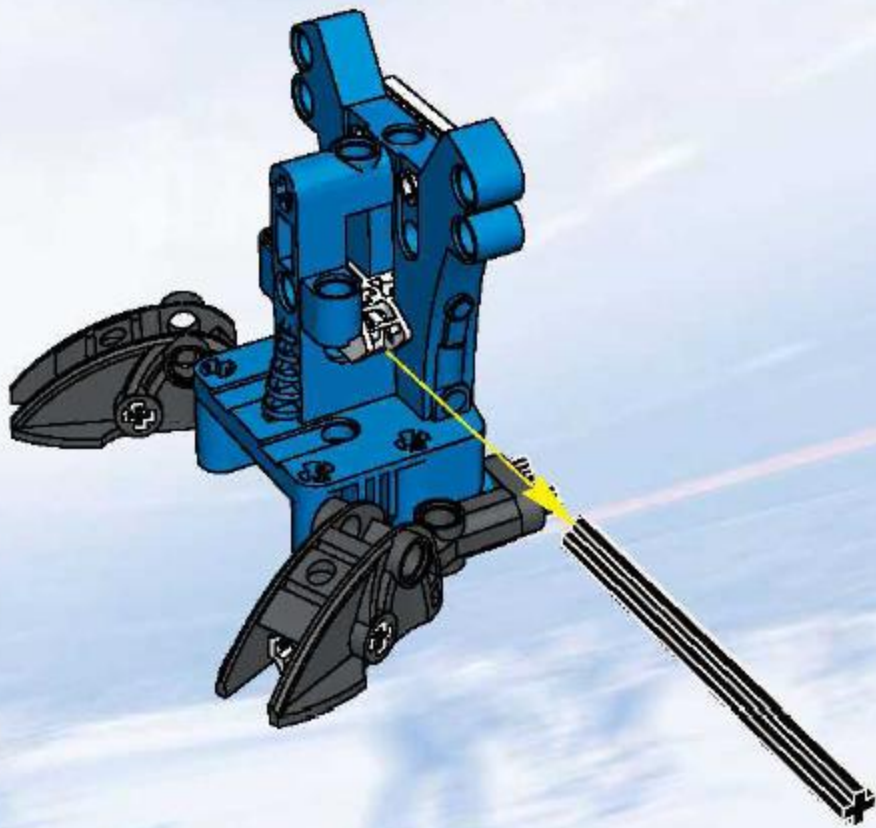
6



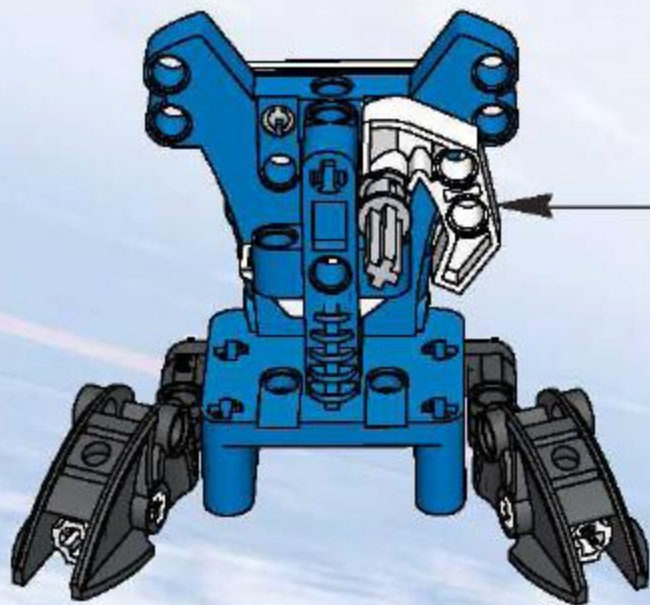
7



8



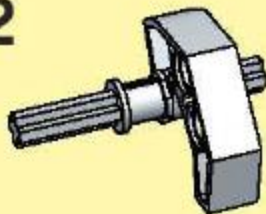
9



1



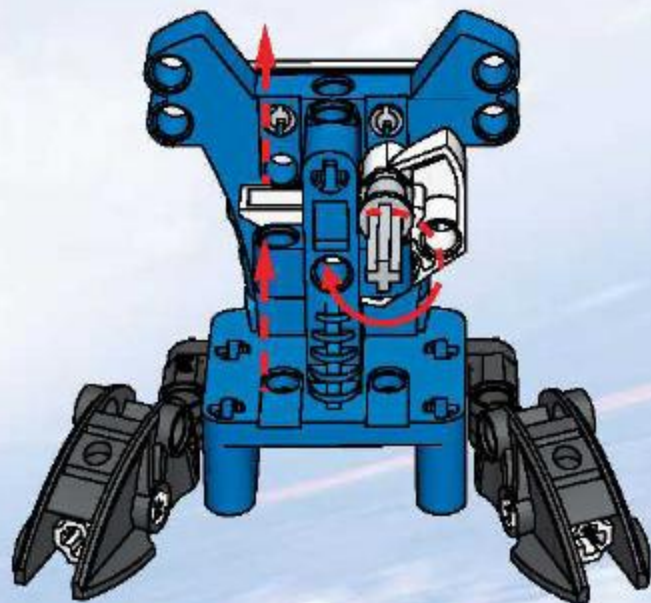
2



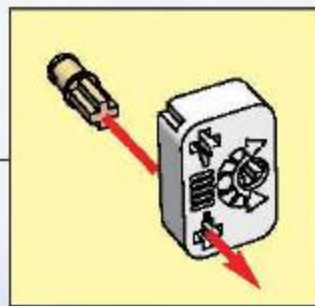
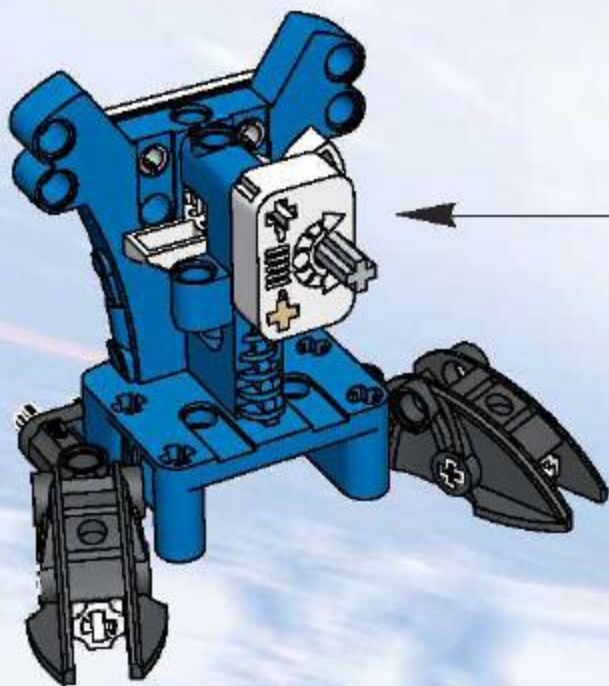
5

1:1

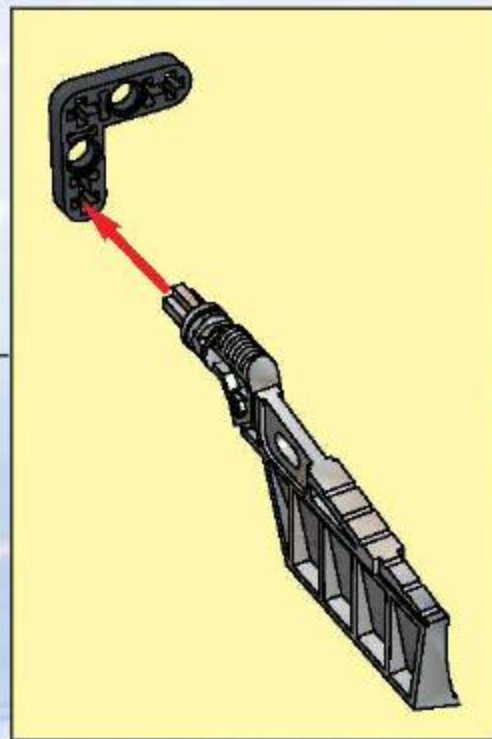
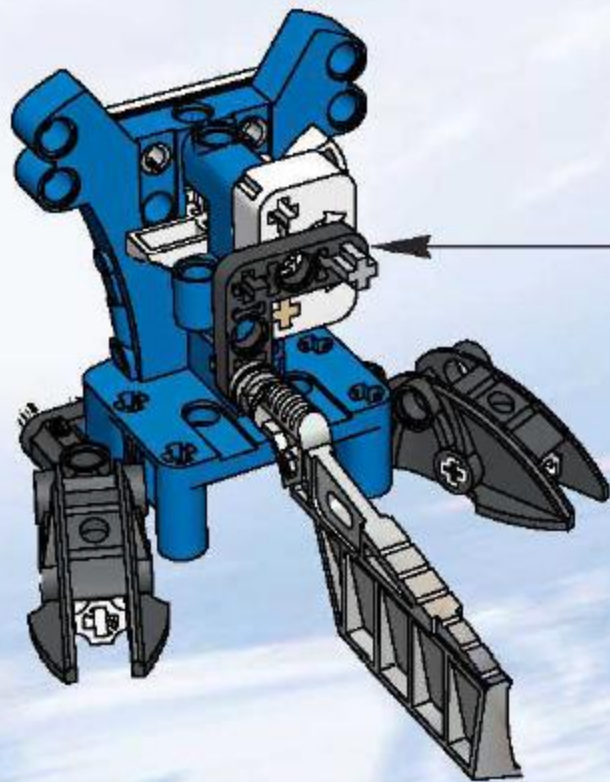
10



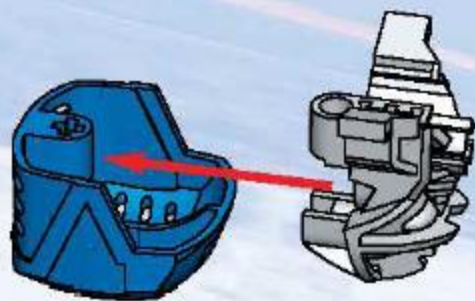
11



12



1



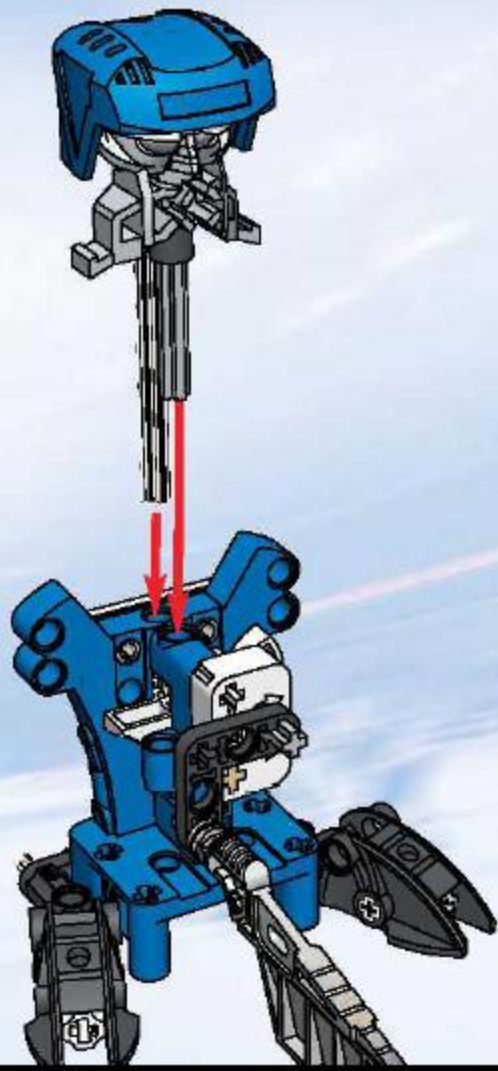
2



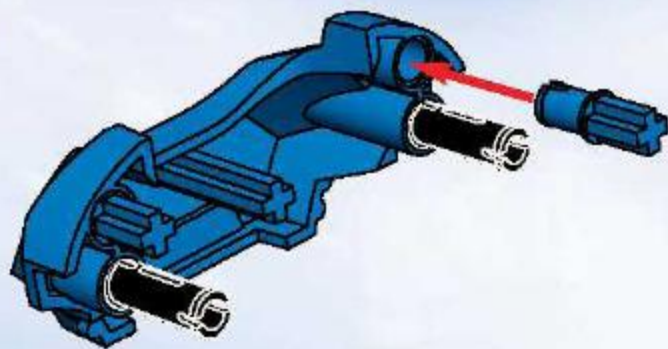
3



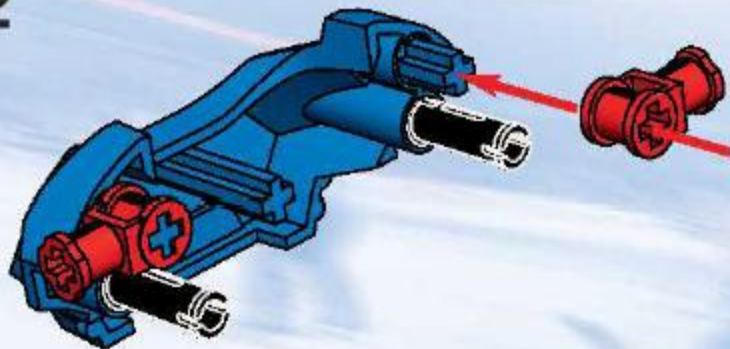
13



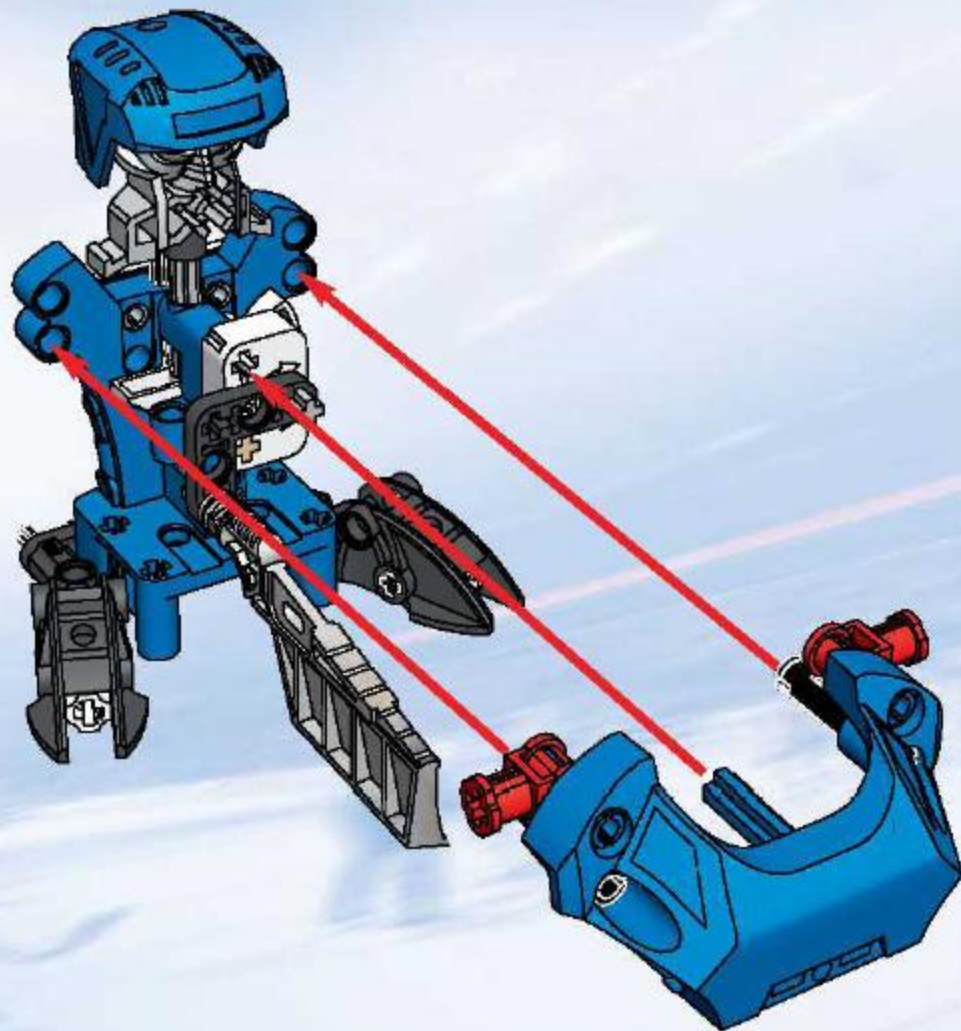
1



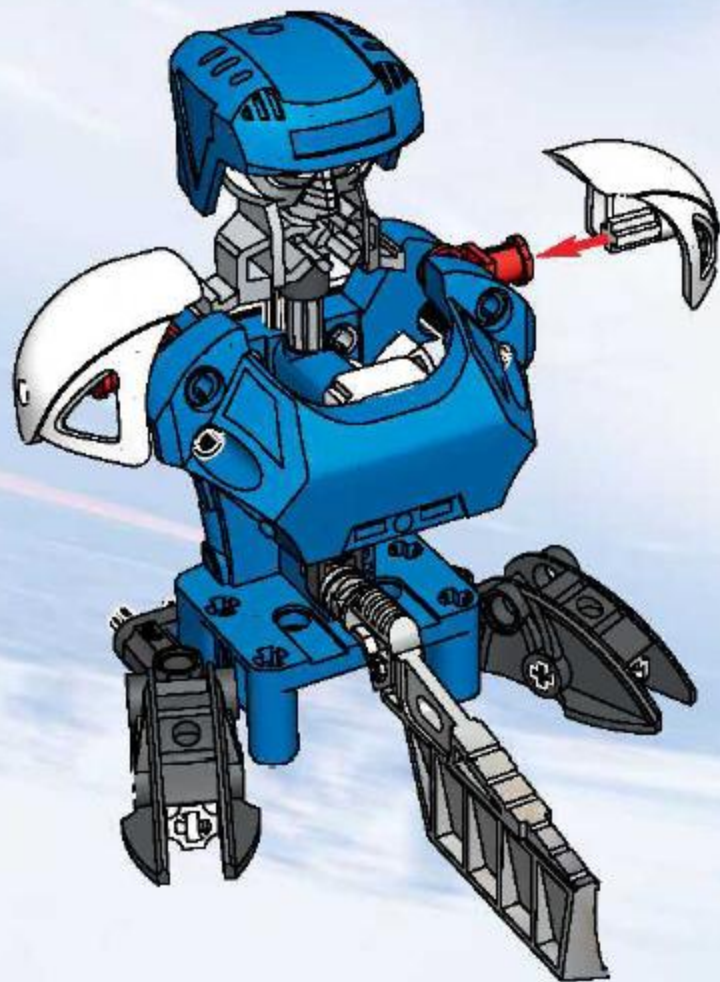
2



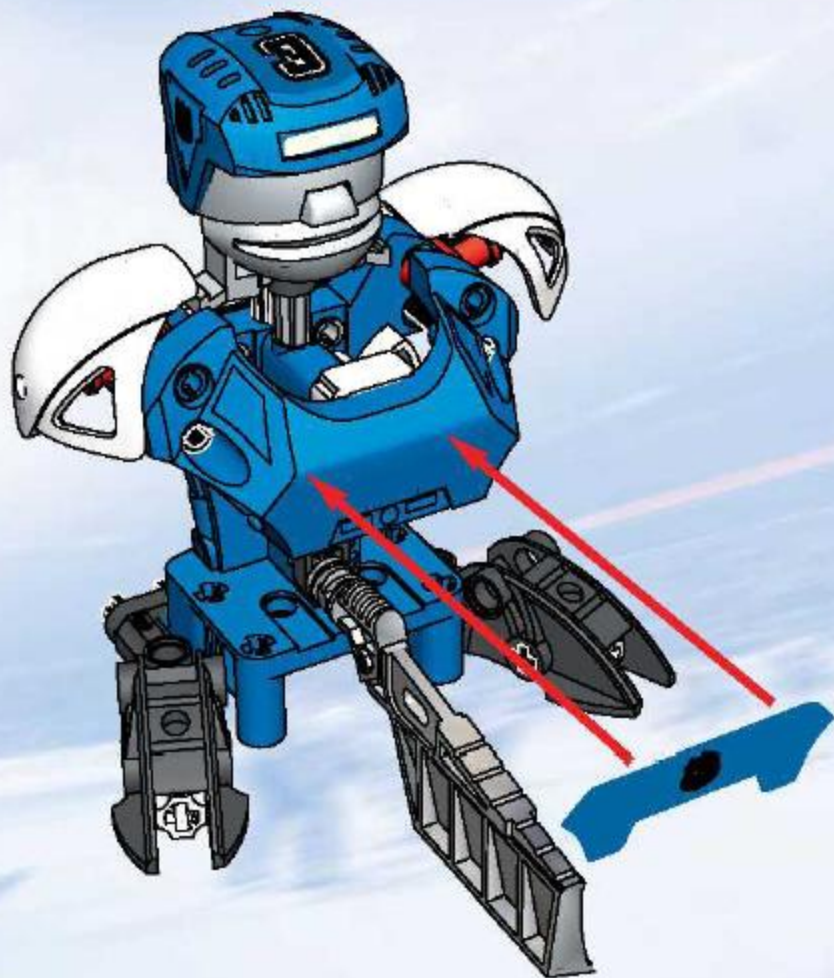
14



15



16



17



The LEGO logo is displayed in its characteristic white, bold, sans-serif font with a black outline, set against a solid red square background.

www.LEGO.com/sports

nhlpa
COM

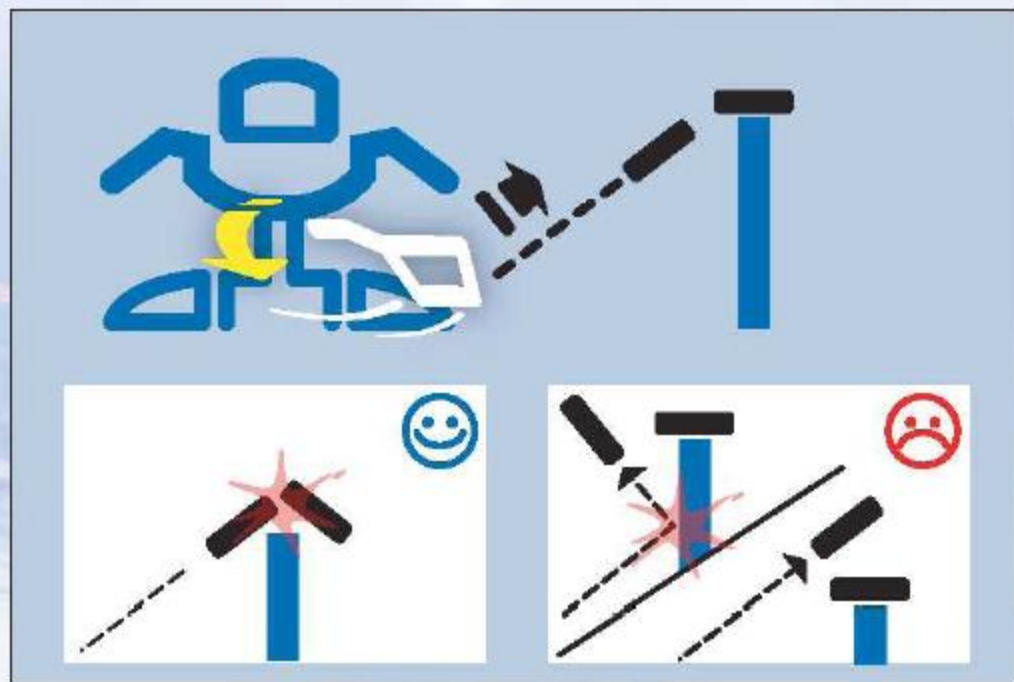


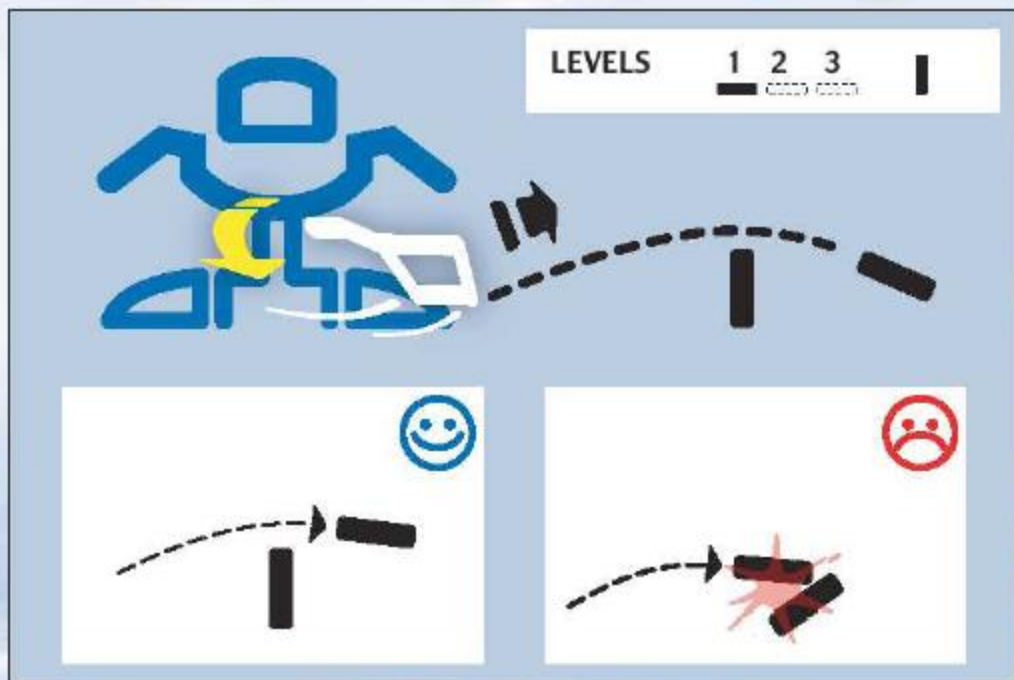
LEGO, the LEGO logo, and the wordmark are trademarks of the LEGO group.
© 2003 The LEGO Group.

NHL and the NHL logo are registered trademarks of the National Hockey League. All NHL logos and marks and team logos and marks depicted herein are the property of the NHL and the respective teams and may not be reproduced without the prior written consent of NHL Enterprises, L.P. © NHL 2003. All Rights Reserved.

© NHLPA, NHLPA, National Hockey League Players' Association and the NHLPA logo are trademarks of the NHLPA.









3432



3427



3430



3431



3560



3561



3562



3563



3564



3565



3566



3567





3420

3421





3422



3424



3423

3541 + 3542 =



EN:
Clean before use

DE:
Bitte vor Gebrauch reinigen

FR :
Nettoyer avant usage

IT:
Pulire prima dell'uso

NL:
V r gebruik reinigen

ES:
Limpiar antes de usar

DA:
Reng res f r brug

FI:
Puhdistaa ennen k ytt

SV:
Reng r innan anv ndning

PT:
Limpar antes da utiliza o

EL:
Καθαρίστε πριν τη χρήση

JP:
汚れを落としてから使用してください。

CN:
請於使用前清洗乾淨

KO:
사용전必ず 제품을 깨끗이 씻어주세요

RU:
Перед использованием
очистить

PL:
Wyczy ci przed u yciem

CS:
P ed pou it m omyjte vodou.

SK:
Pred pou itim umyte vodou.

HU:
Haszn lat el tt tisztz tsd meg!

UA:
Перед використанням
очистити

HR:
O istite prije uporabe

SR:
Очистити пре употребе

SL:
Pred uporabo o isti
A se curāja insainte de utilizare

RO:

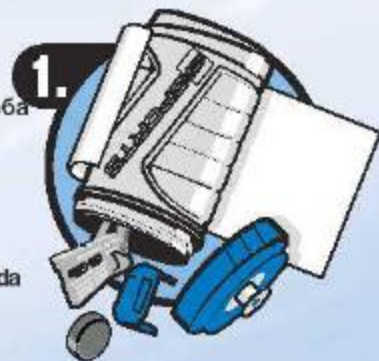
BG:
Почистете преди употреба

LT:
Prie naudojimo nuvalyti

ET:
Enne tarvitamist puhastada

LV:
Pirms lietošanas j not ra

TR:
Kullanmadan nce temizley



LEGO

SPORTS

NBA identifications depicted are the exclusive property of NBA Properties, Inc. and/or the NBA Member Teams, and are used with permission.

SPALDING is a trademark of Spalding Sports Worldwide, Inc. or Lisco Sports, Inc., a Spalding affiliate.
© Spalding Sports Worldwide, Inc. 2003.



www.LEGO.com/sports

LEGO, the LEGO logo and the MiniFigure are trademarks of the LEGO Group. ©2003 The LEGO Group.

adidas, the adidas logo and the three stripe trademark are registered trademarks of the adidas-Salomon group, used with permission. Fevernova and the Trigon logo are trademarks of the adidas-Salomon group, used with permission.

NHL and the NHL Shield are registered trademarks of the National Hockey League. All NHL logos and marks and team logos and marks depicted herein are the property of the NHL and the respective teams and may not be reproduced without the prior written consent of NHL Enterprises, L.P. © NHL 2003. All Rights Reserved.