

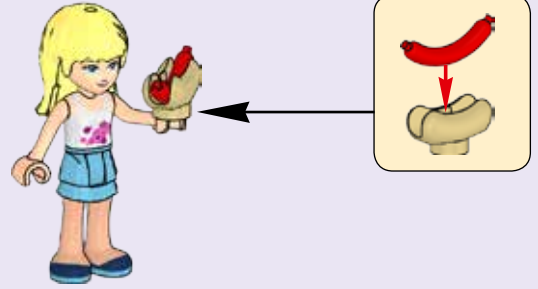


Friends

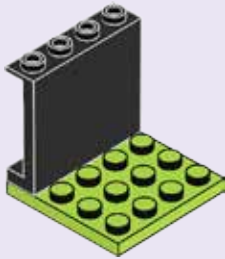


30399

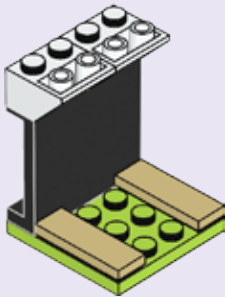
6163307



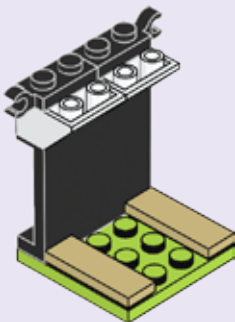
1



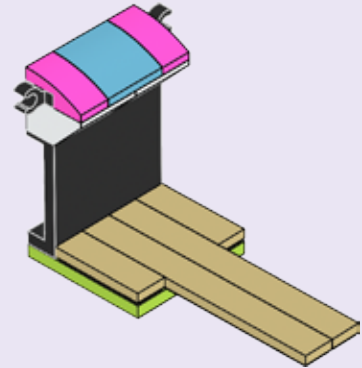
2



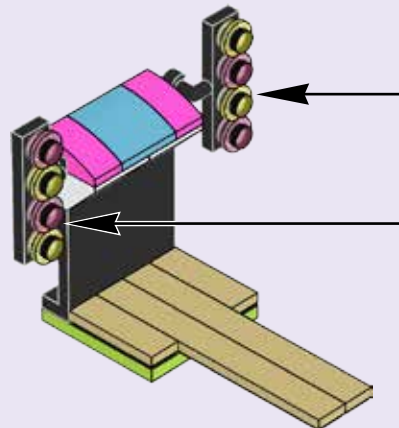
3

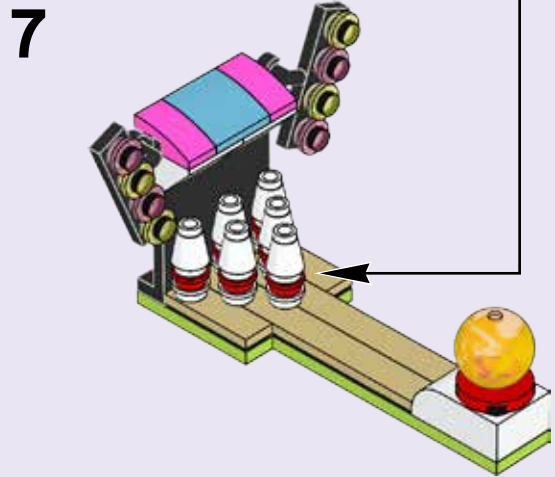
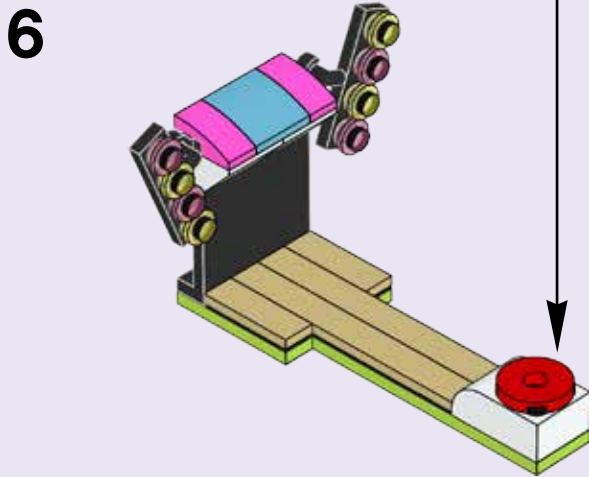
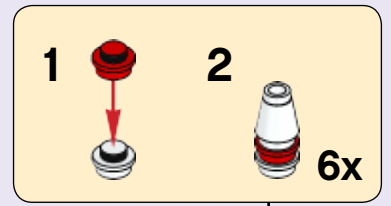
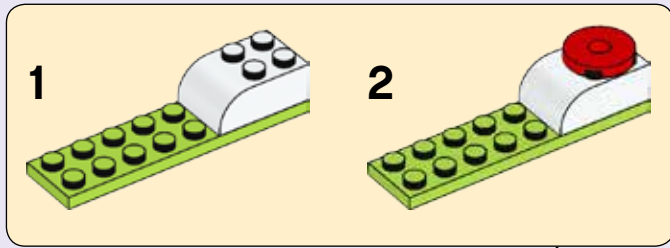


4



5





LEGO.com/service

LEGO, the LEGO logo and the FRIENDS logo are trademarks of the LEGO Group. ©2016 The LEGO Group. 6163307



Friends



41128

41130

41129

41127

LEGO.com/friends