



NEXO KNIGHTS



30374

6150231

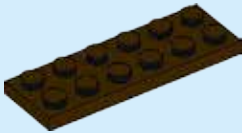


LEGO.com/club

LEGO club



1



2



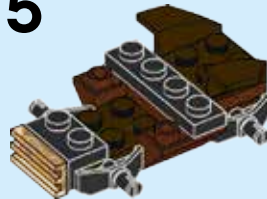
3



4



5



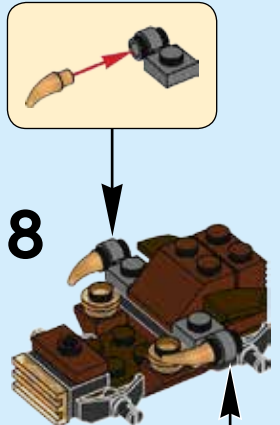
6



7



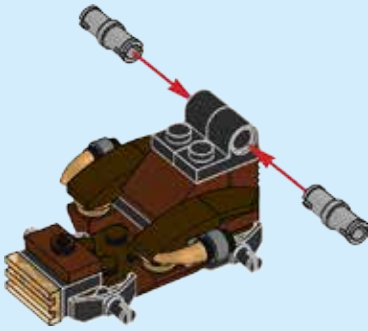
8



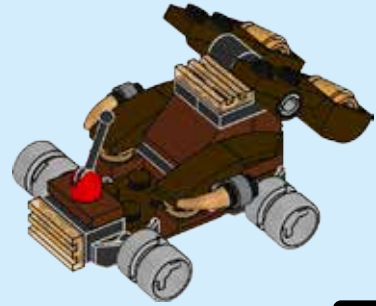
9



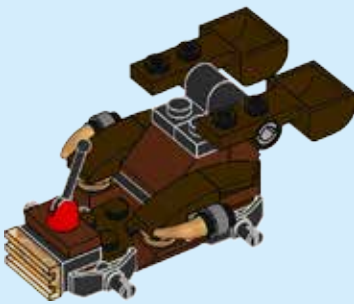
10



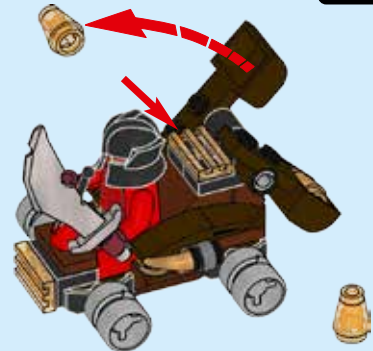
12



11



13



LEGO® NEXO KNIGHTS™: MERLOK 2.0



DOWNLOAD THE FREE APP / KOSTENLOSE APP HERUNTERLADEN / TÉLÉCHARGE L'APPLI GRATUITE
DESCARGA LA APP GRATIS / DESCARREGA A APP GRATIS / TÖLTSD LE AZ INGYENES APPOT! / 下载免费APP
DEVICE CHECK: / GERÁT PRÜFEN; VERIFICATION DE COMPATIBILITÉ :
COMPRUEBA TU DISPOSITIVO; VERIFICAÇÃO DO DISPOSITIVO; /ESZKÖZZELLENÖRZÉS; /设备检查;

LEGO.com/devicecheck

 LEGO.com/nexoknights

LEGO.com/service

LEGO, the LEGO logo and NEXO KNIGHTS are trademarks of the LEGO Group.
©2016 The LEGO Group. 6150231