



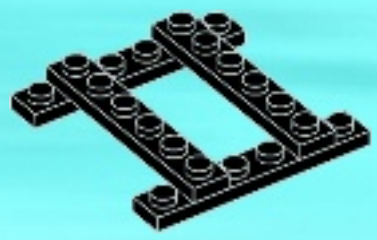
CITY

30226

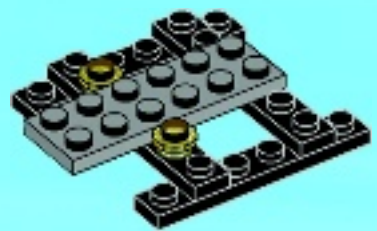
6074941



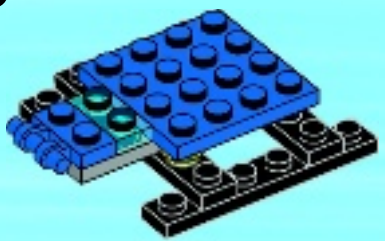
1



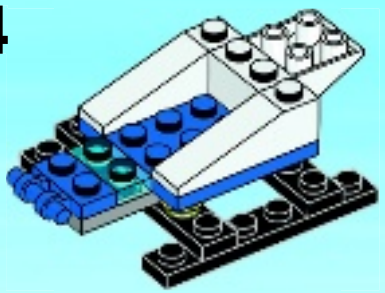
2



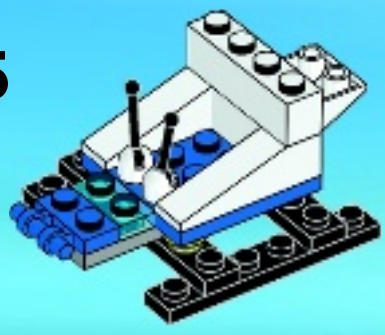
3



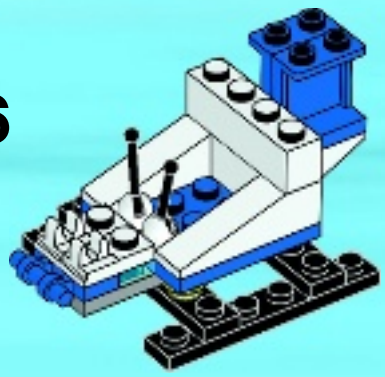
4



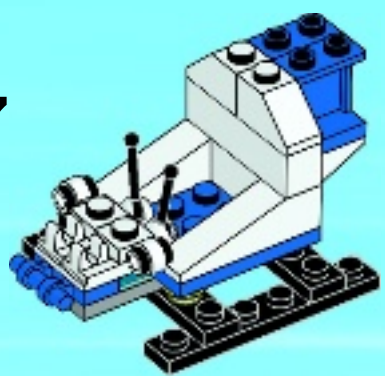
5



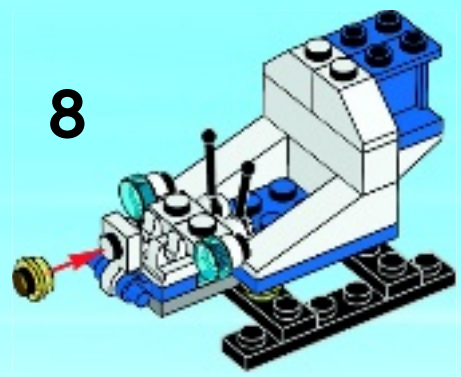
6



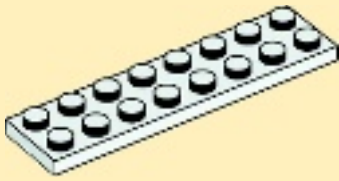
7



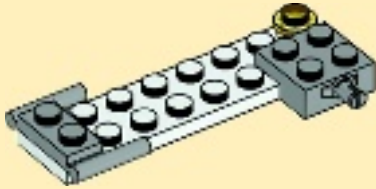
8



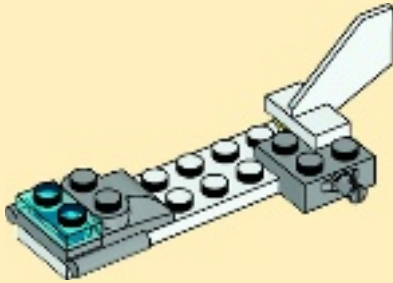
1



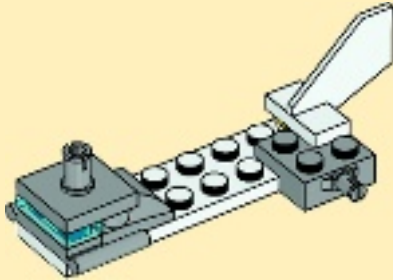
2



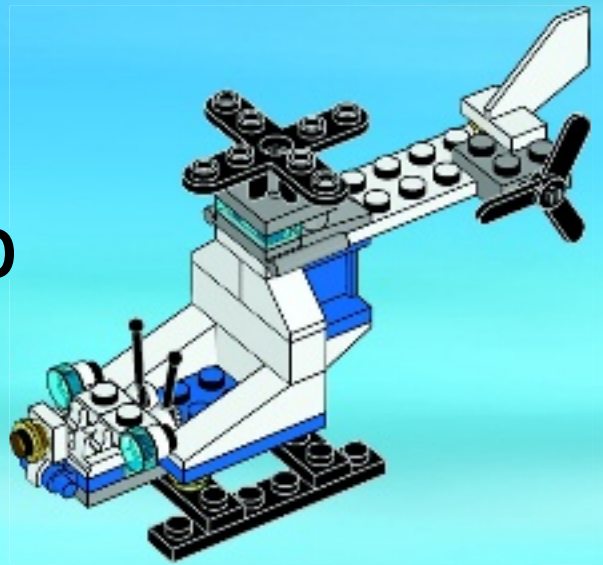
3



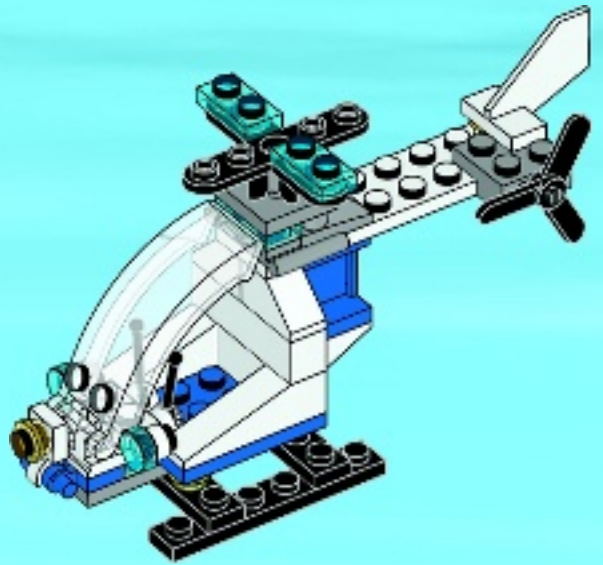
4



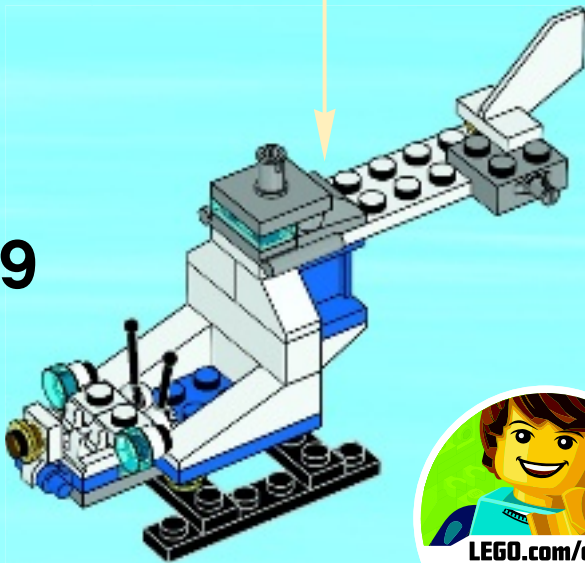
10



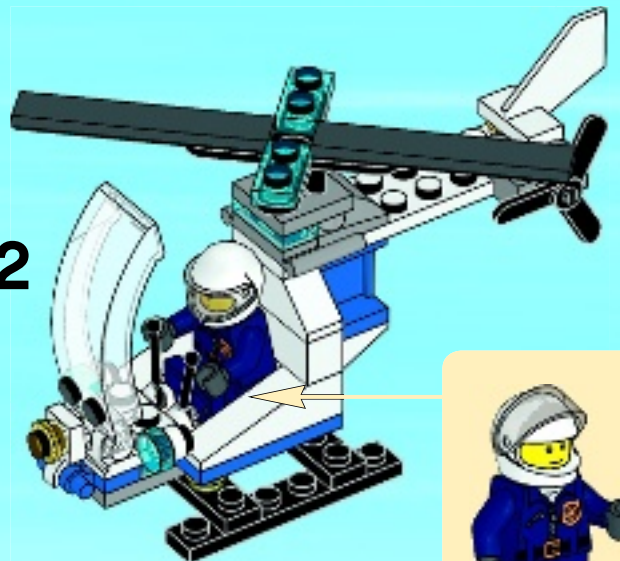
11



9



12



LEGO.com/service 7 LEGO.com

LEGO and the LEGO logo are trademarks of the LEGO Group. ©2014 The LEGO Group. 6074941