



TECHNIC

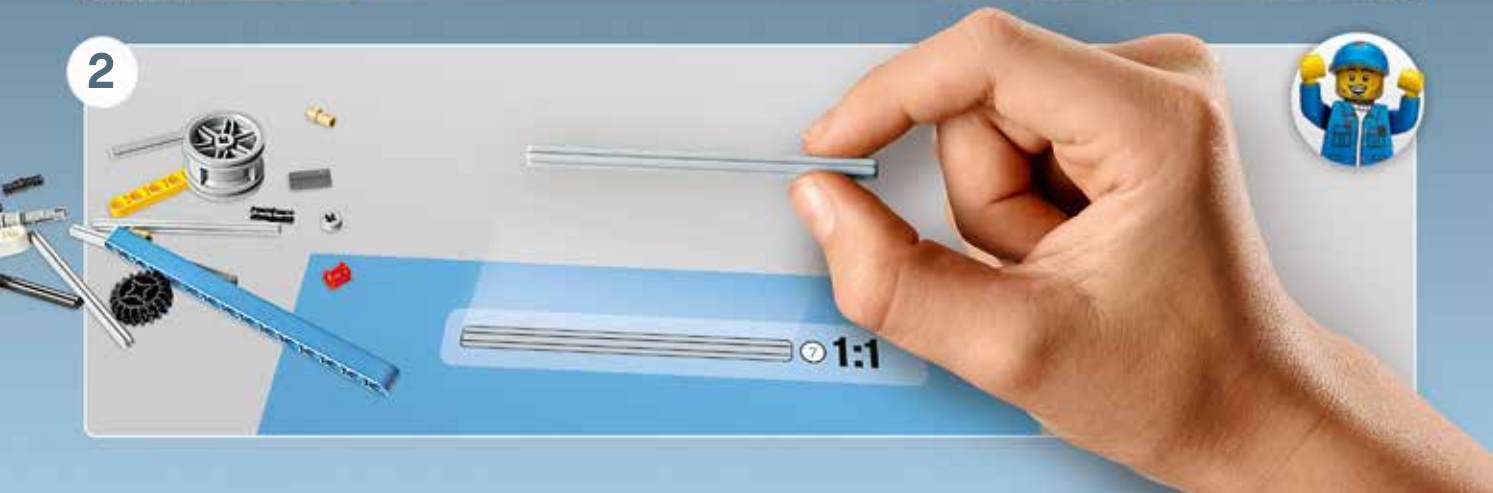
42047

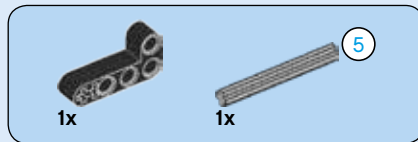
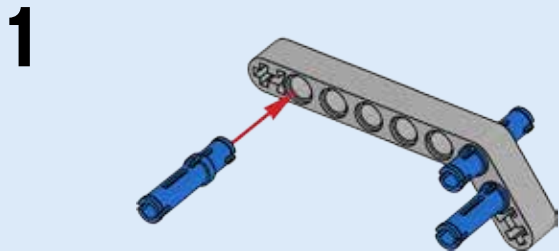
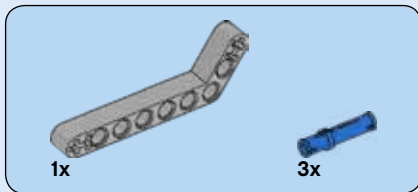
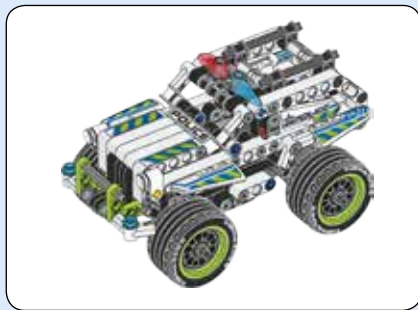


1

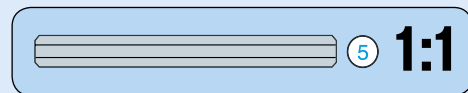
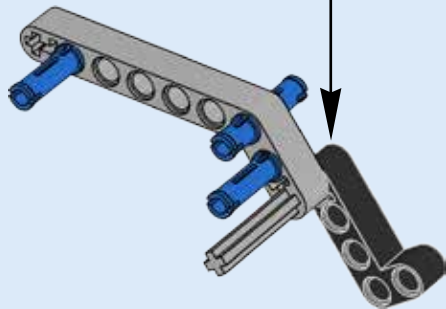
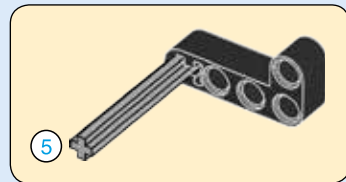


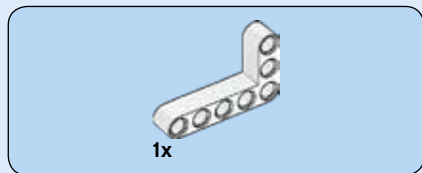
2



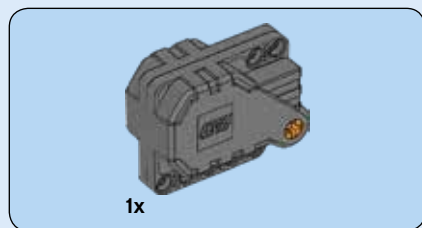
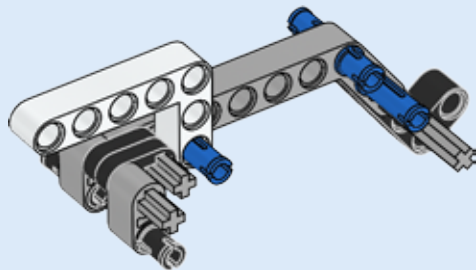


2

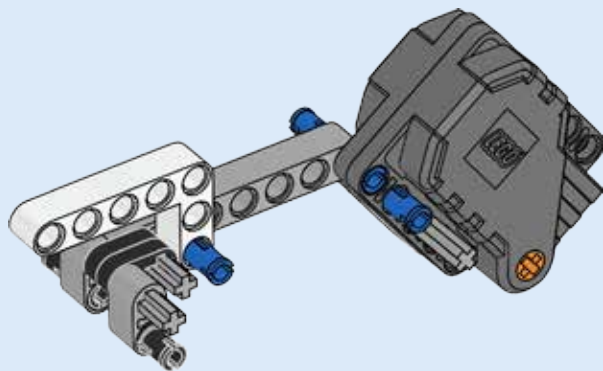


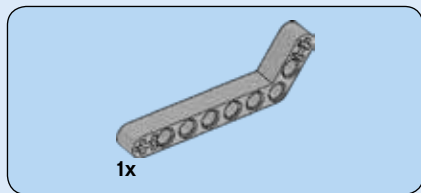


4

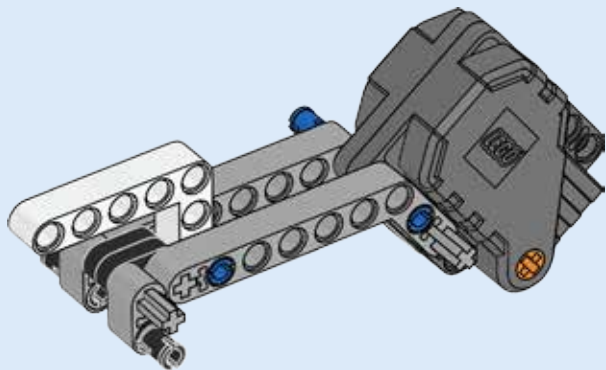


5





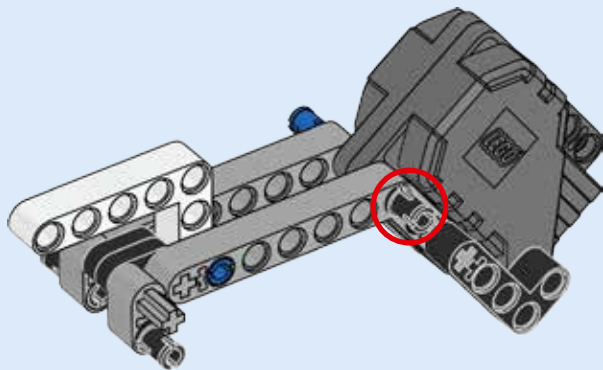
6

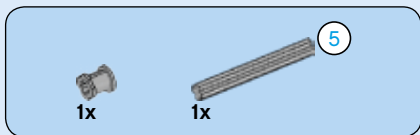
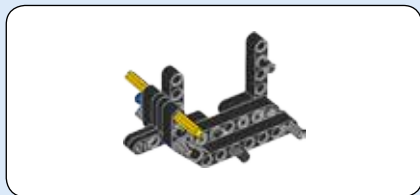


6

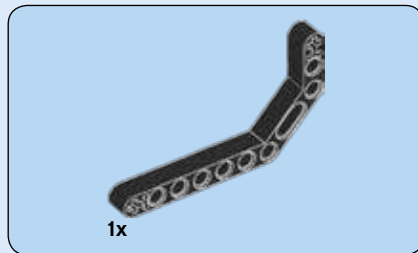


7

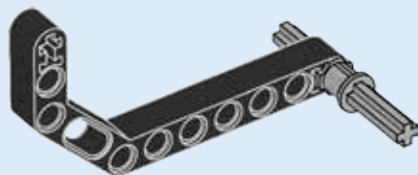


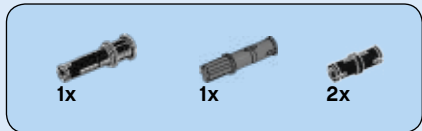


8

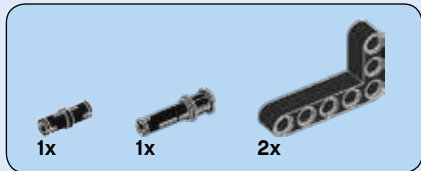
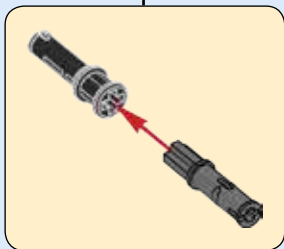
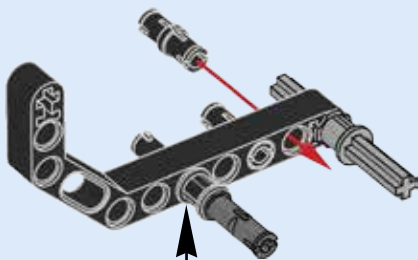


9

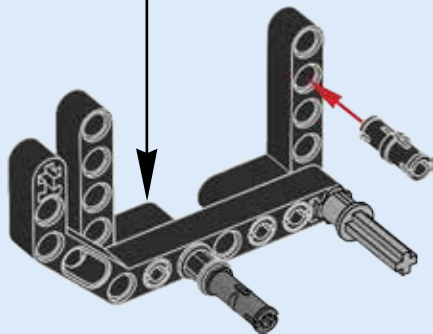
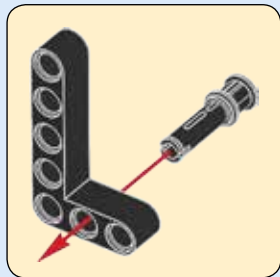


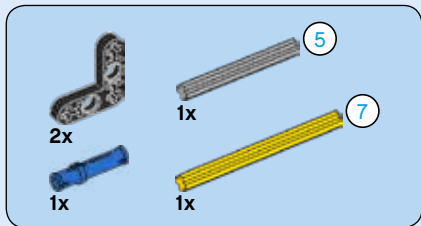


10

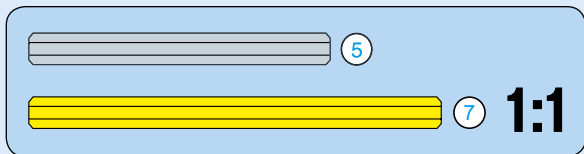
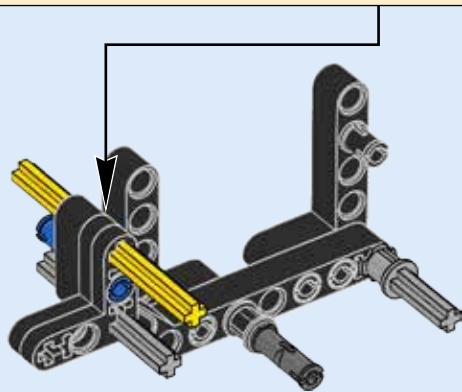
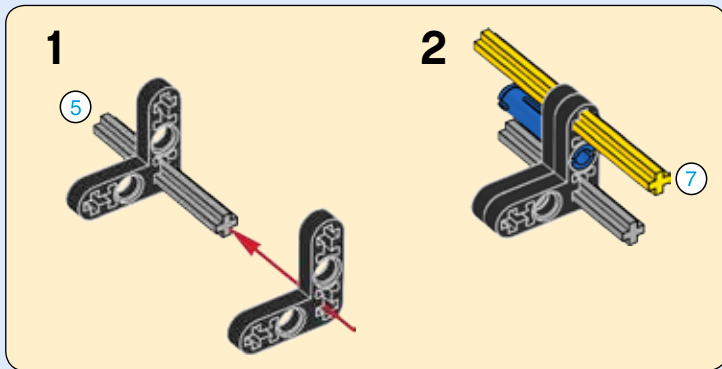


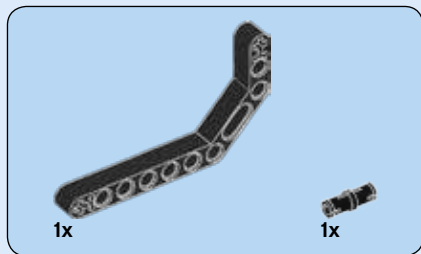
11



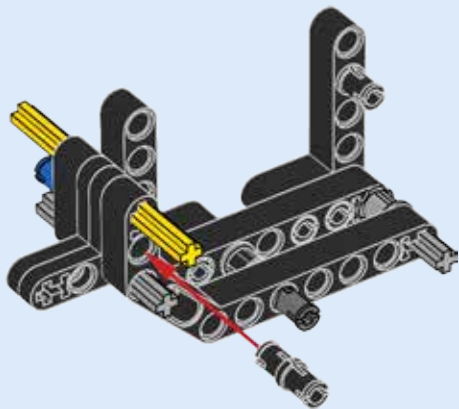


12

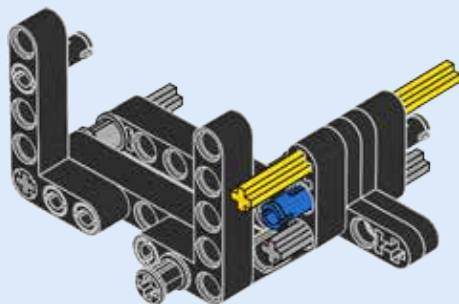
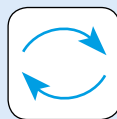


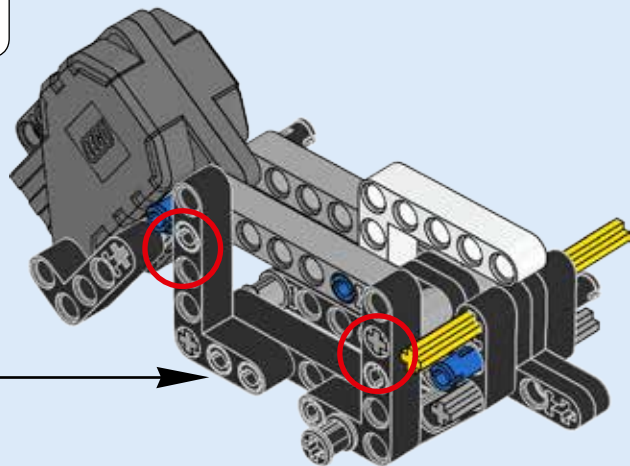
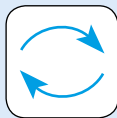


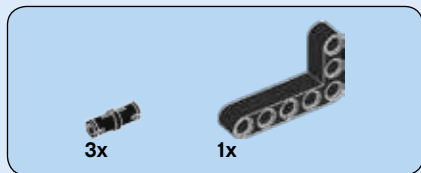
13



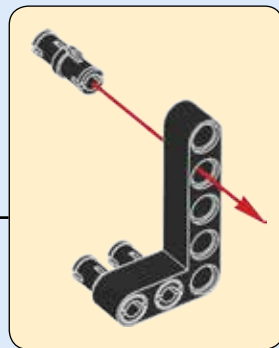
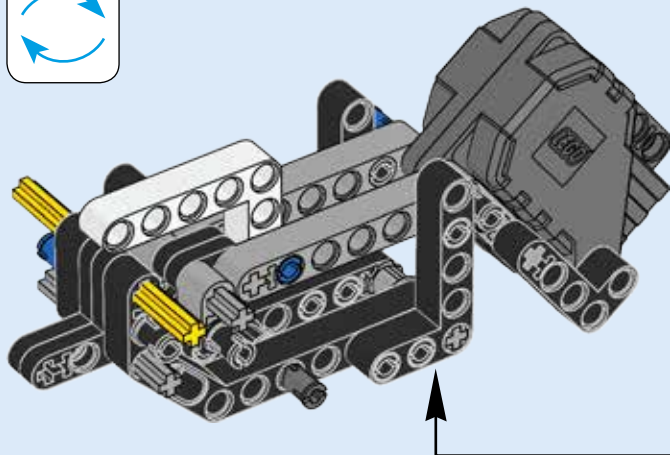
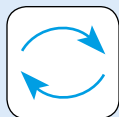
14

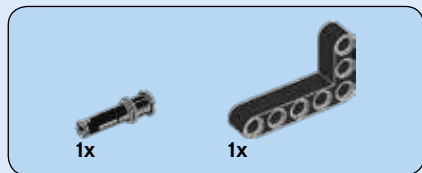




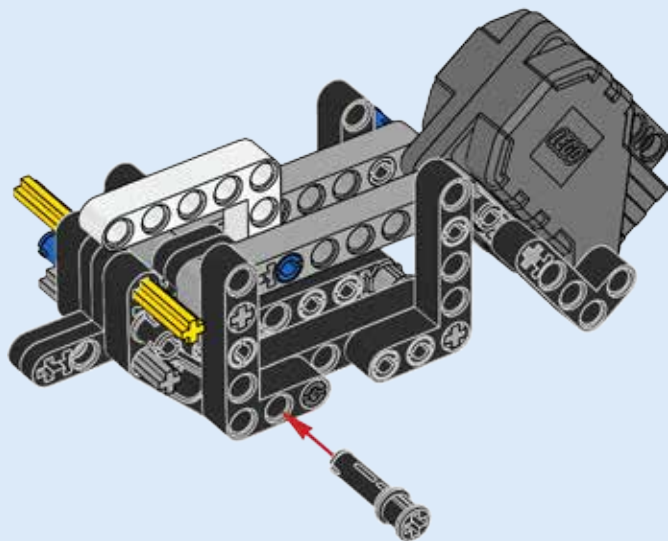


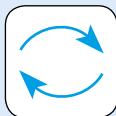
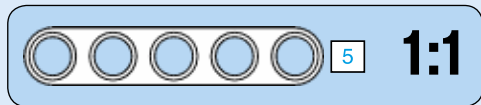
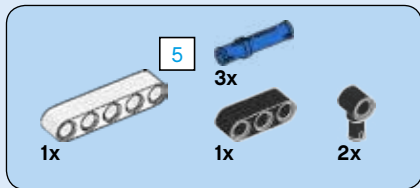
15



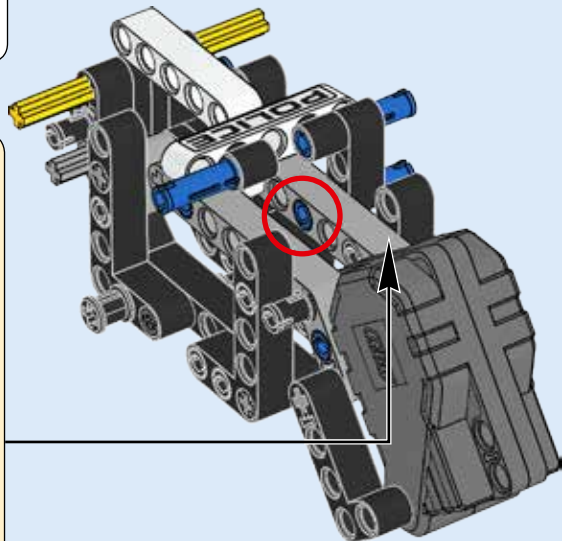
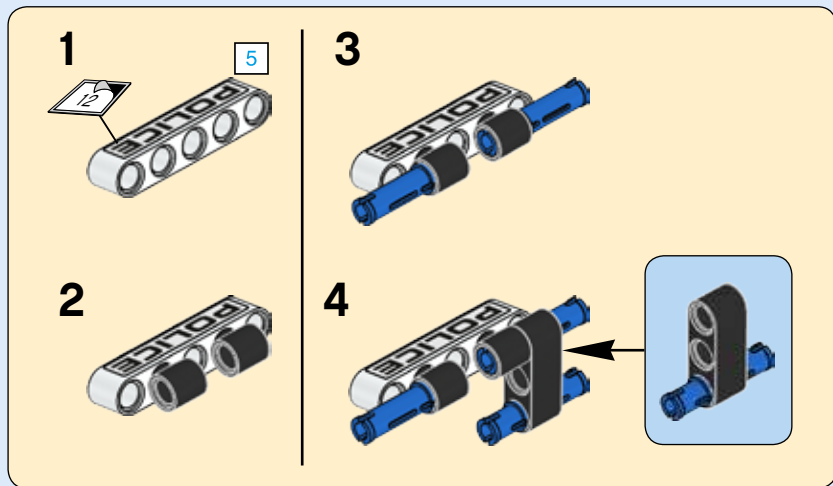


16



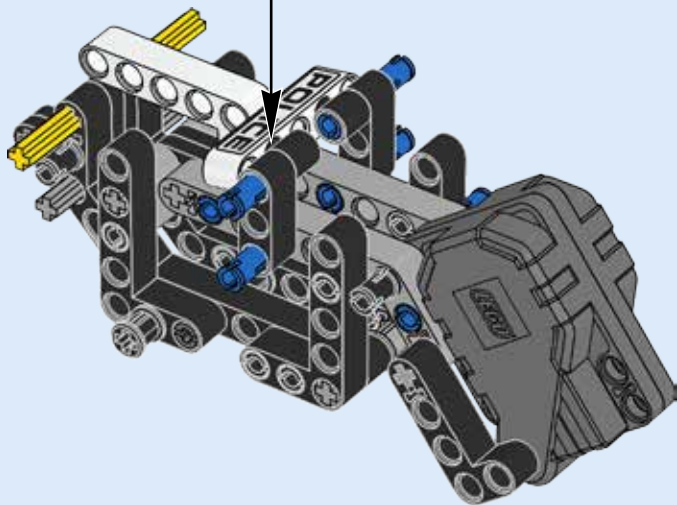
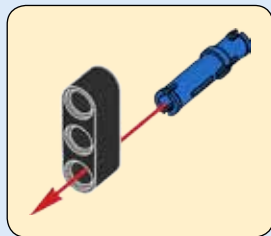


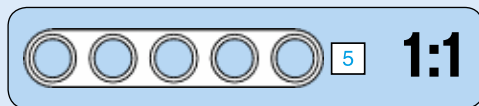
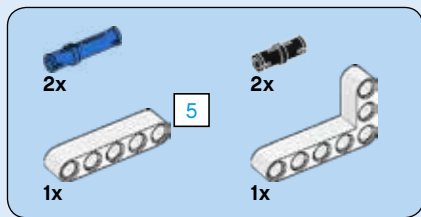
17



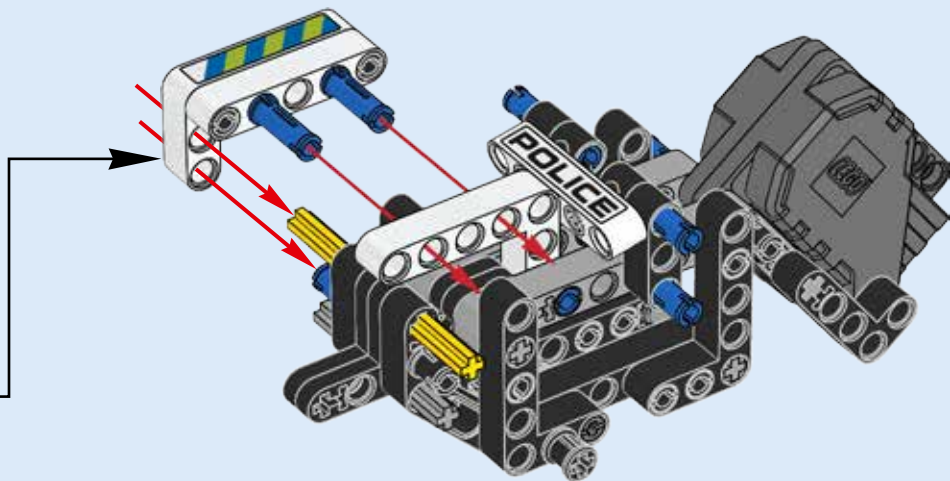
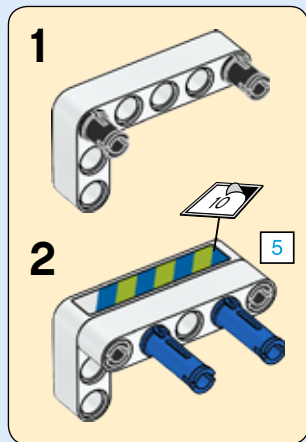


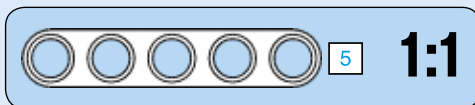
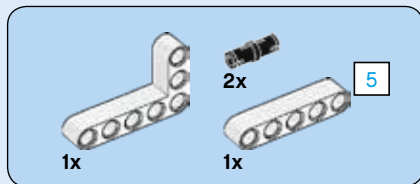
18



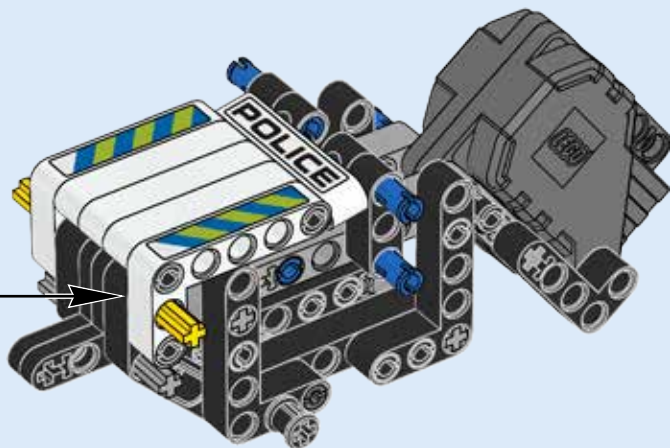
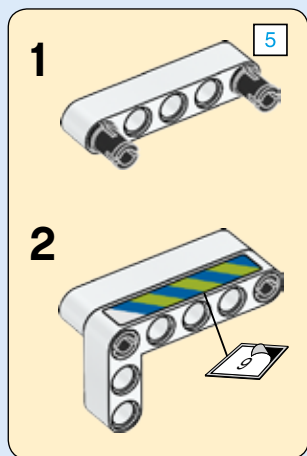


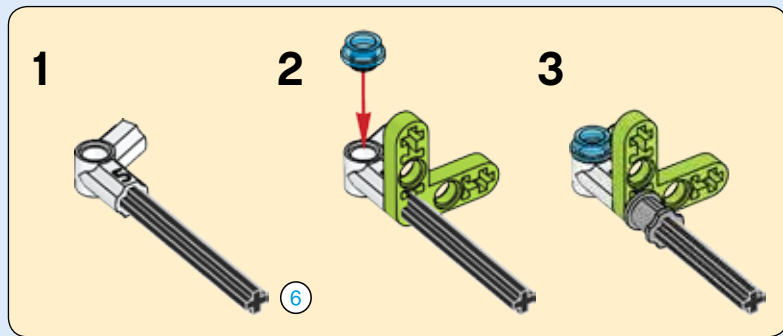
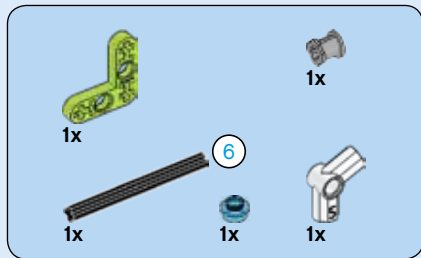
19



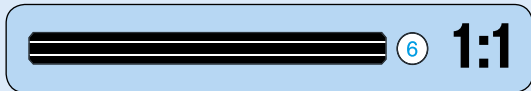
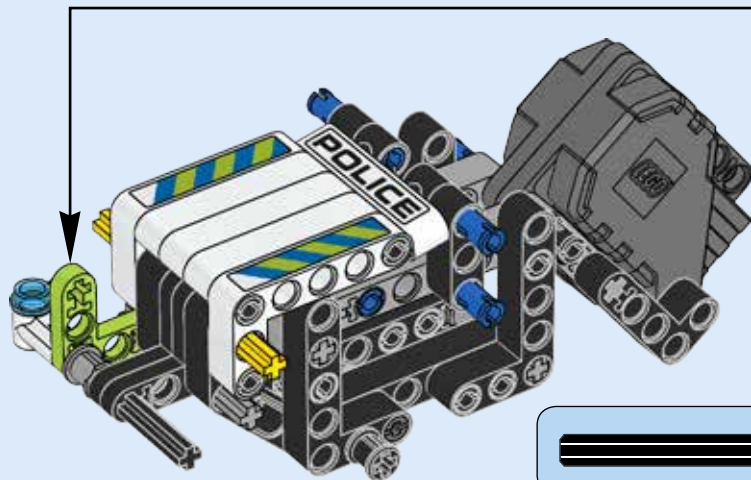


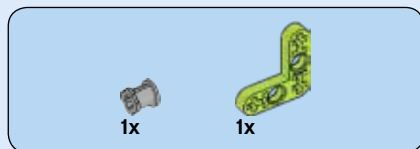
20



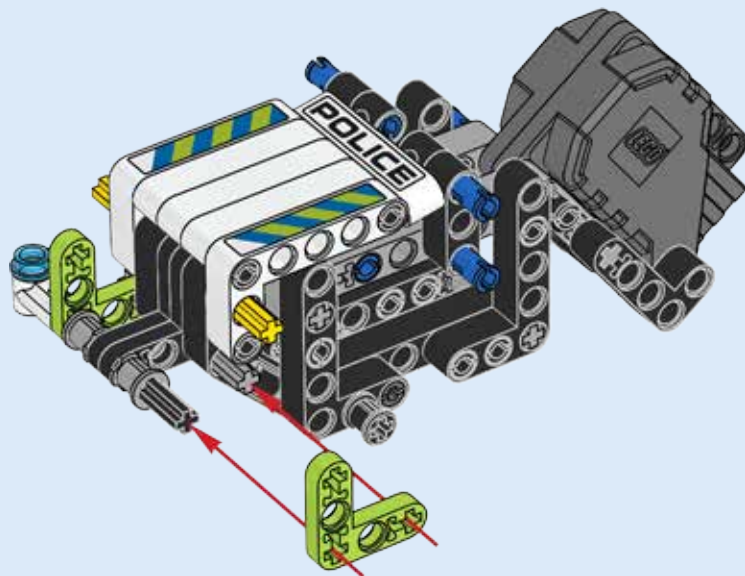


21





22



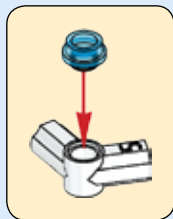
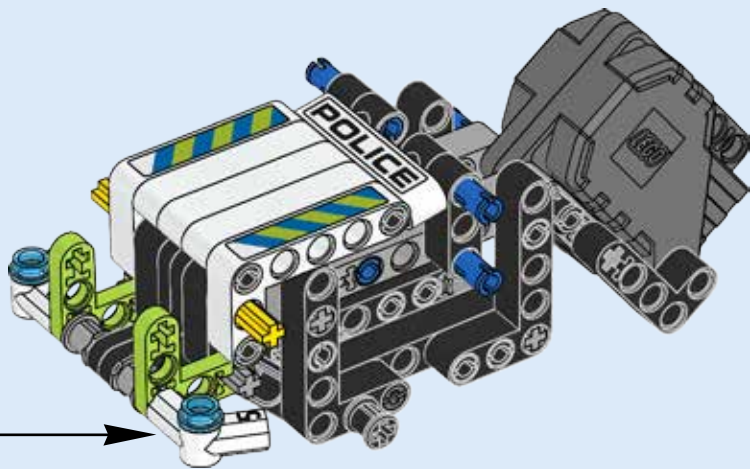


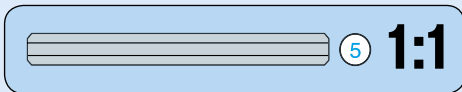
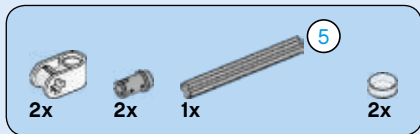
1x



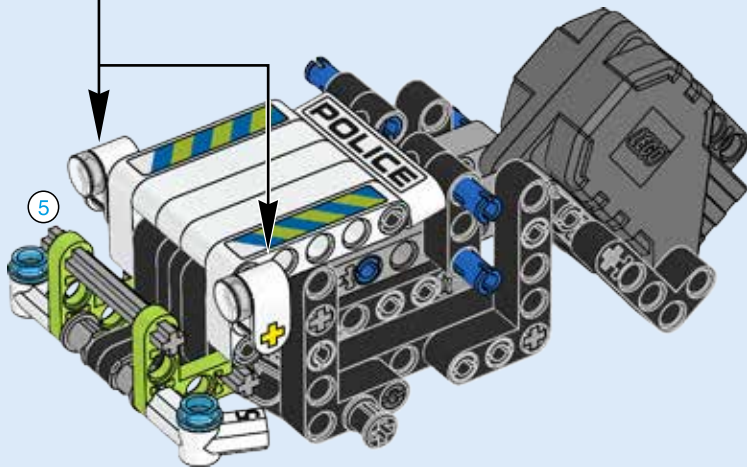
1x

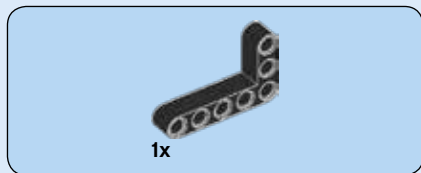
23



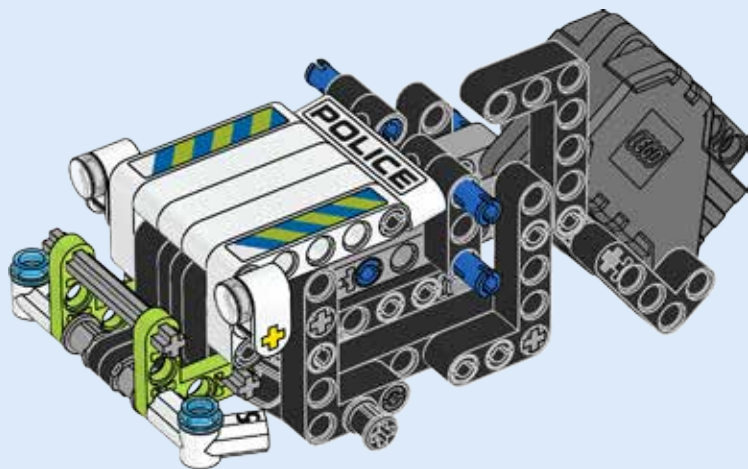


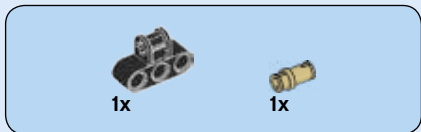
24



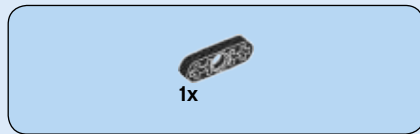
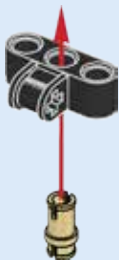


25

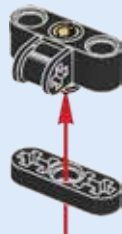




26

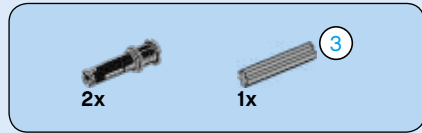
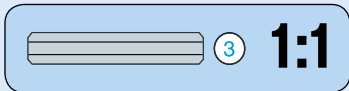
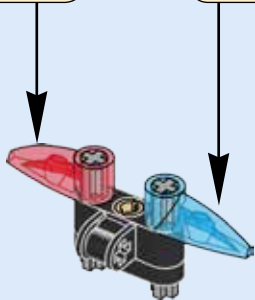
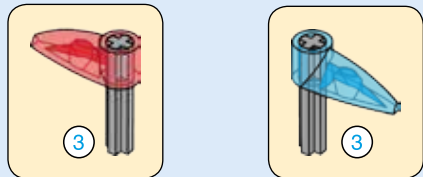


27

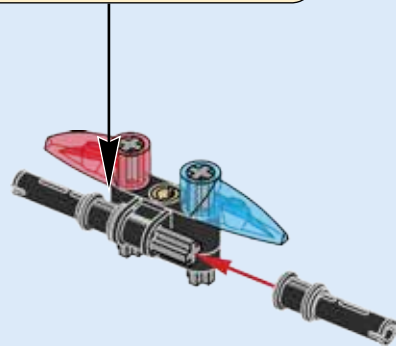
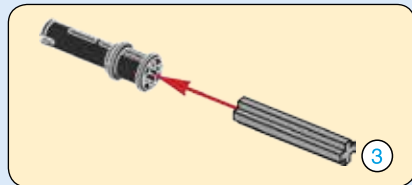


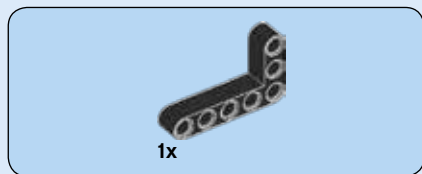


28

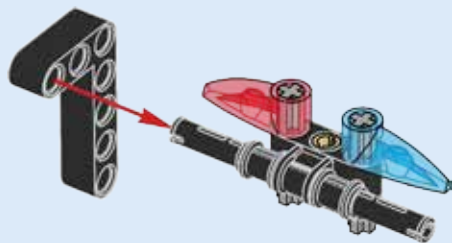


29

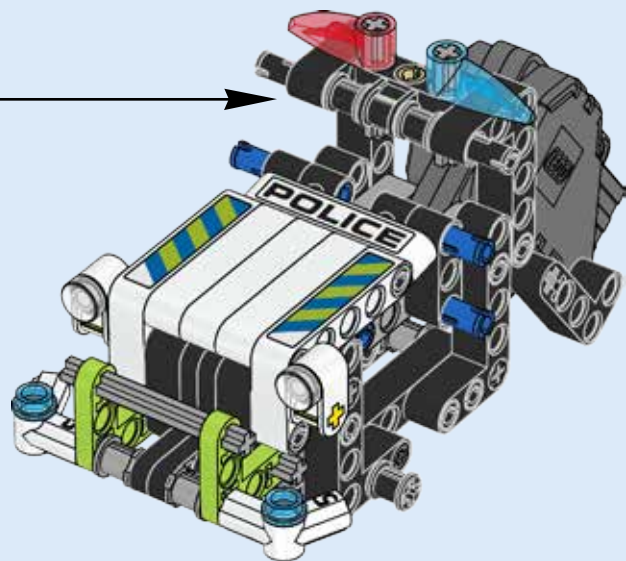


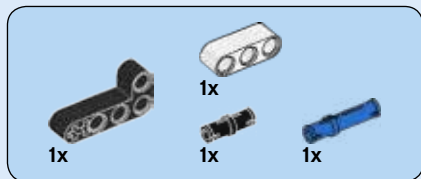


30

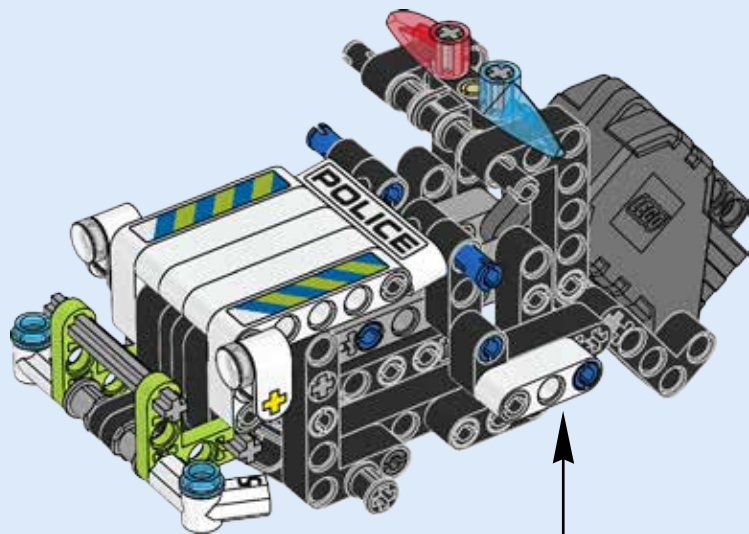
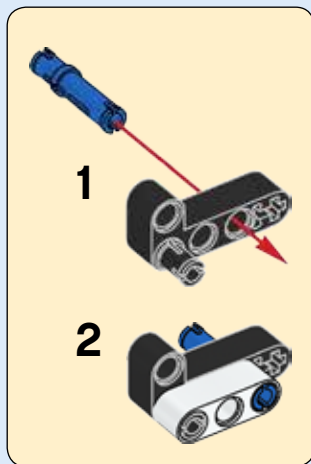


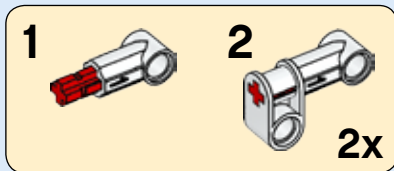
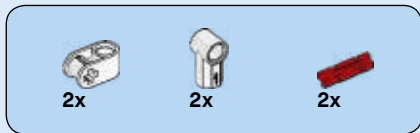
31



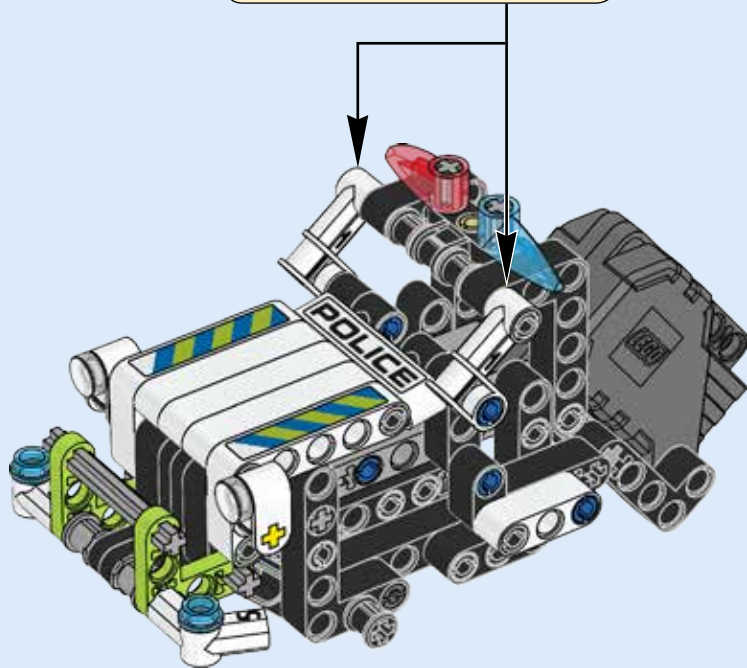


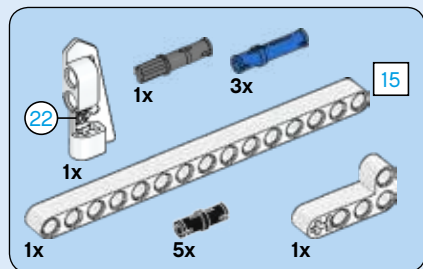
32



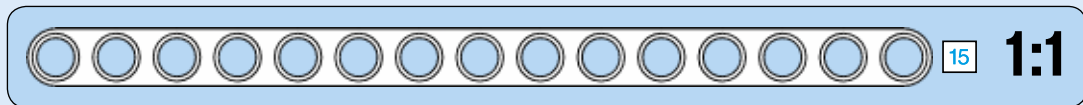
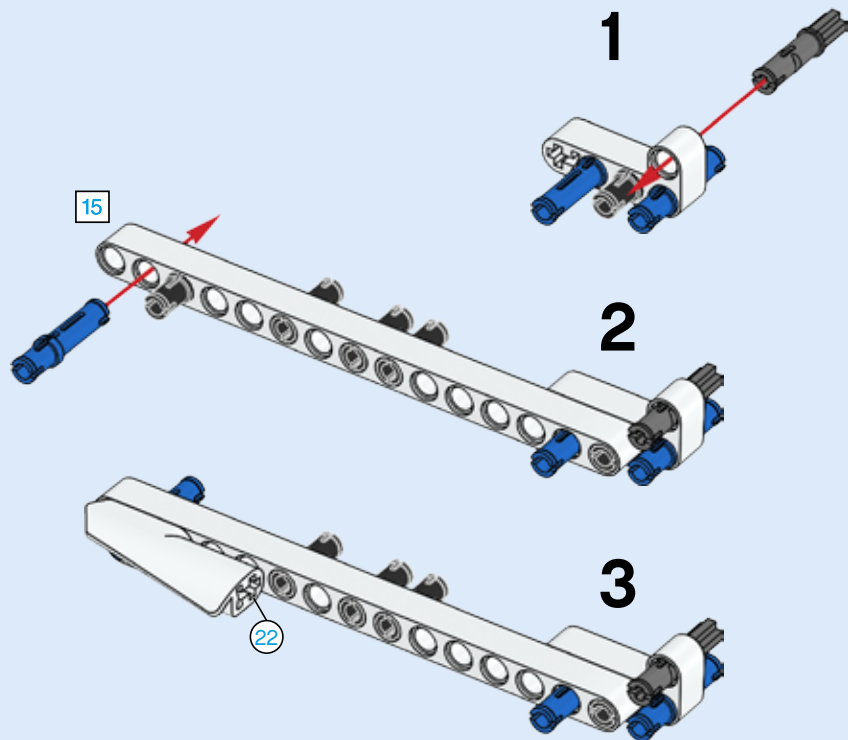


33

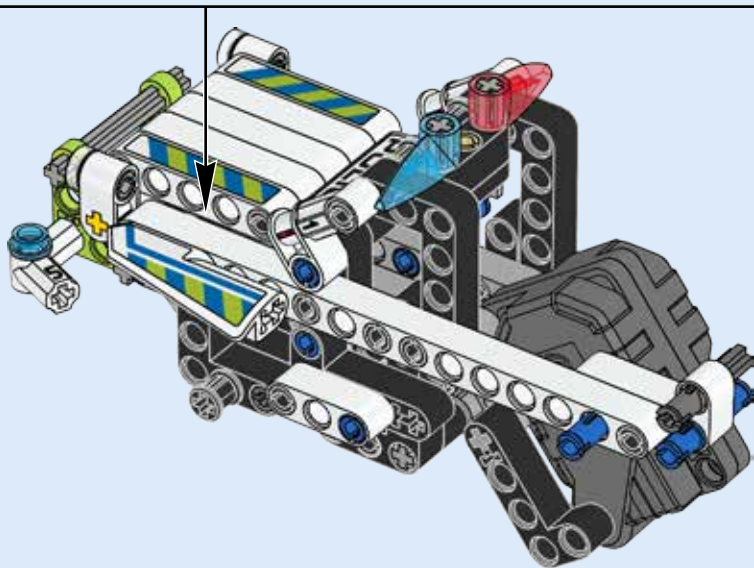
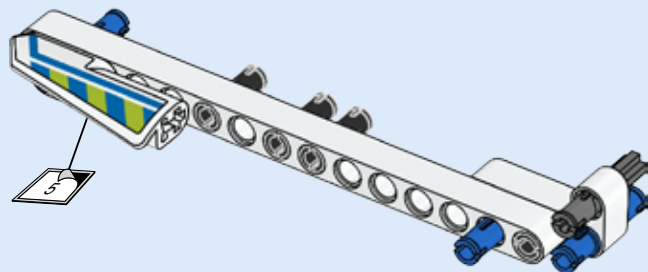


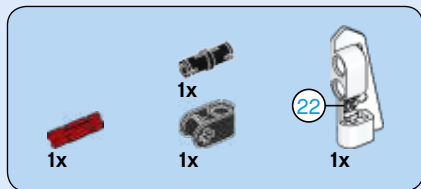


34

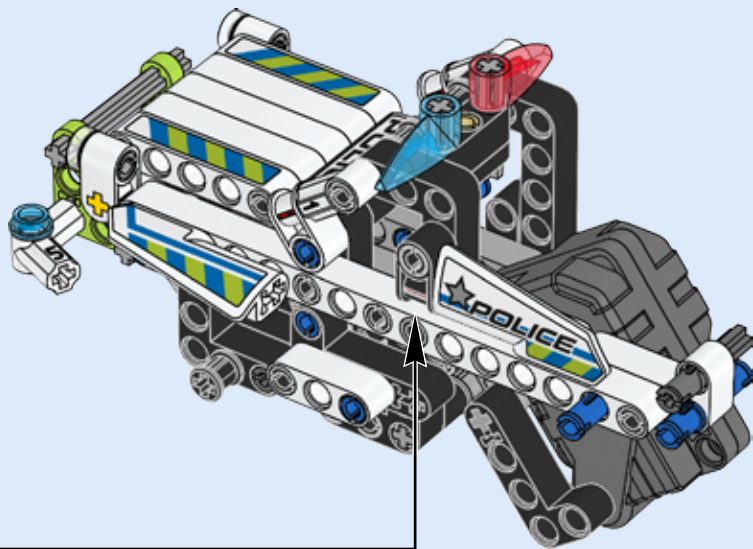


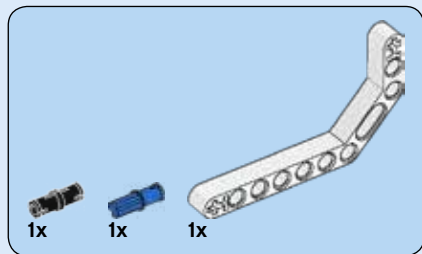
4



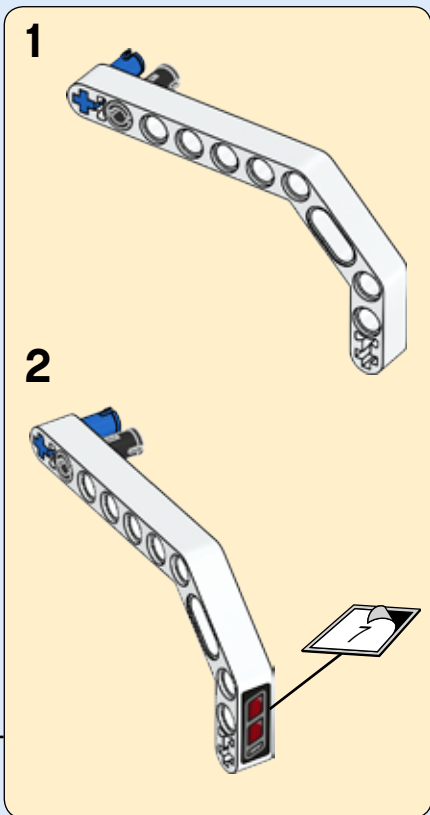
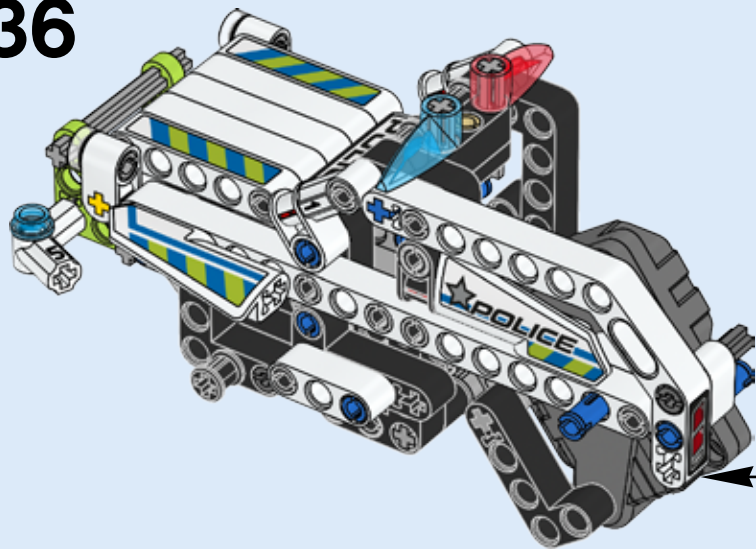


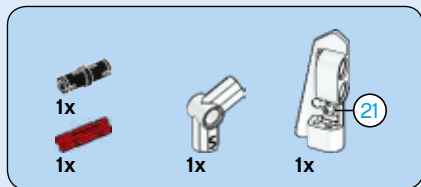
35



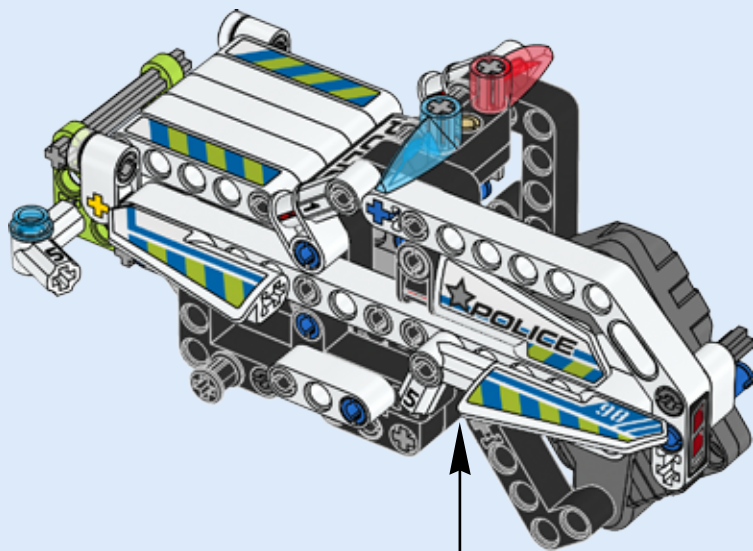
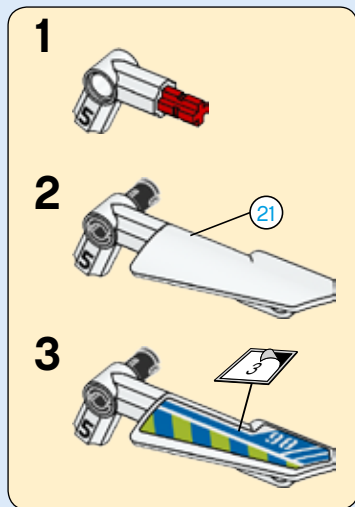


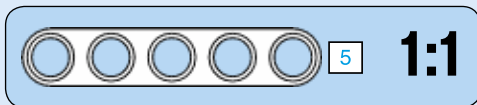
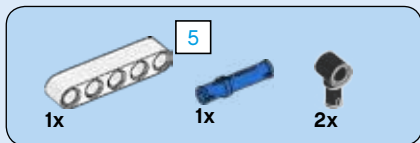
36



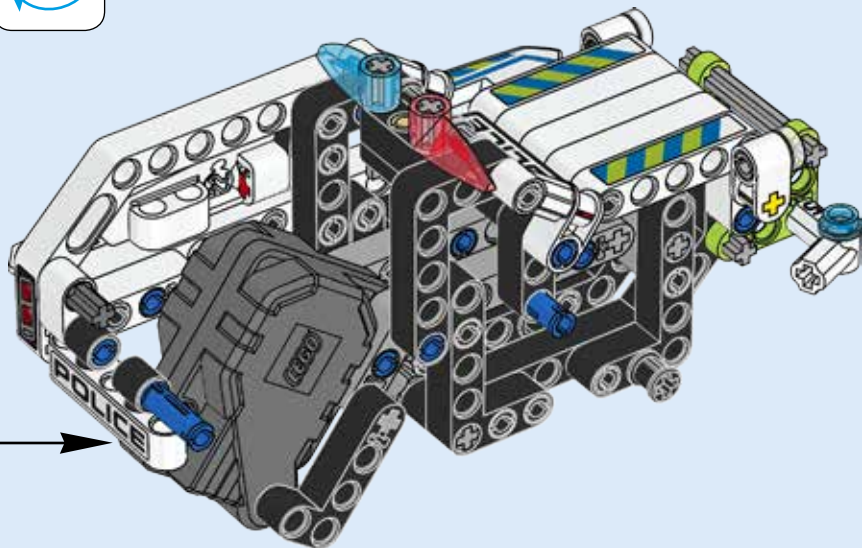
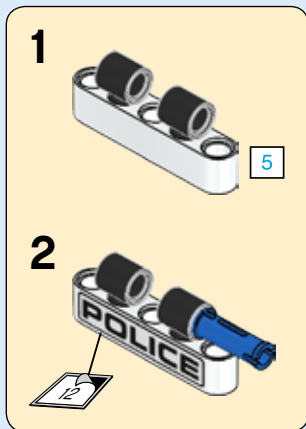
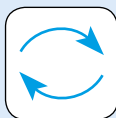


37





38



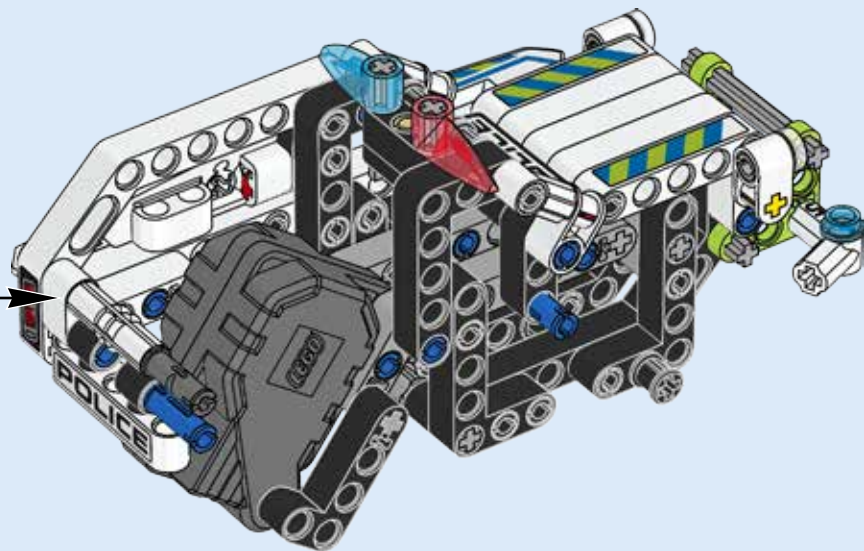
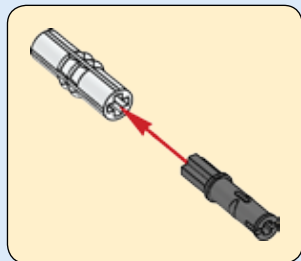


1x



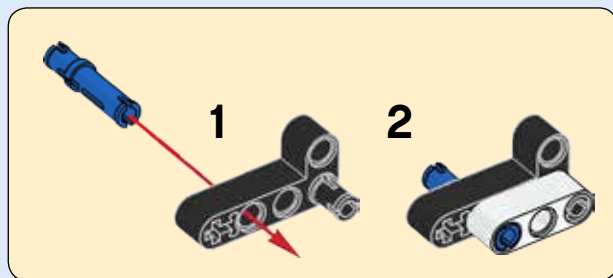
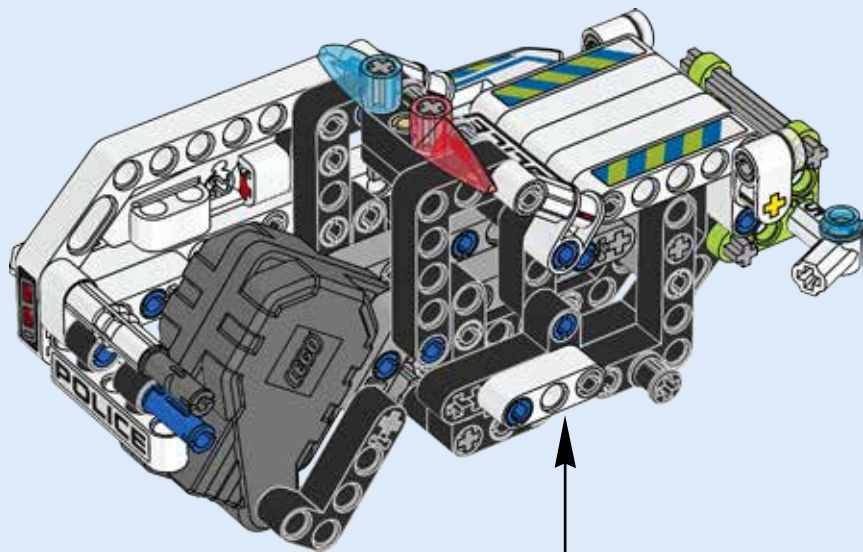
1x

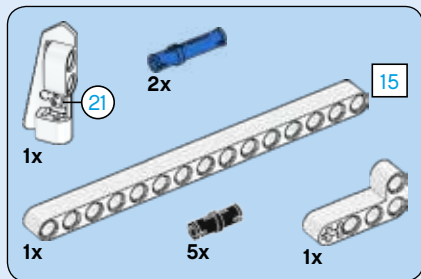
39



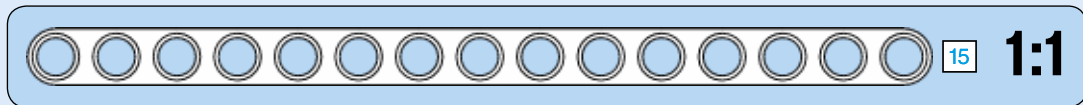
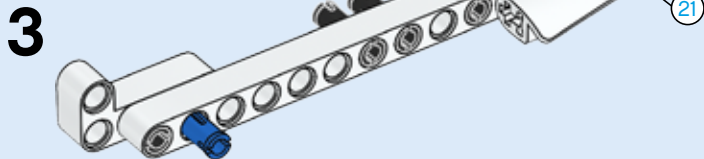
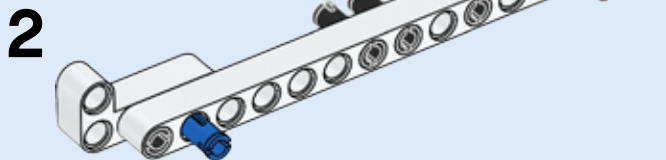
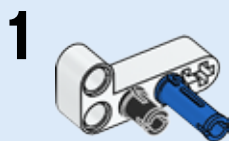


40

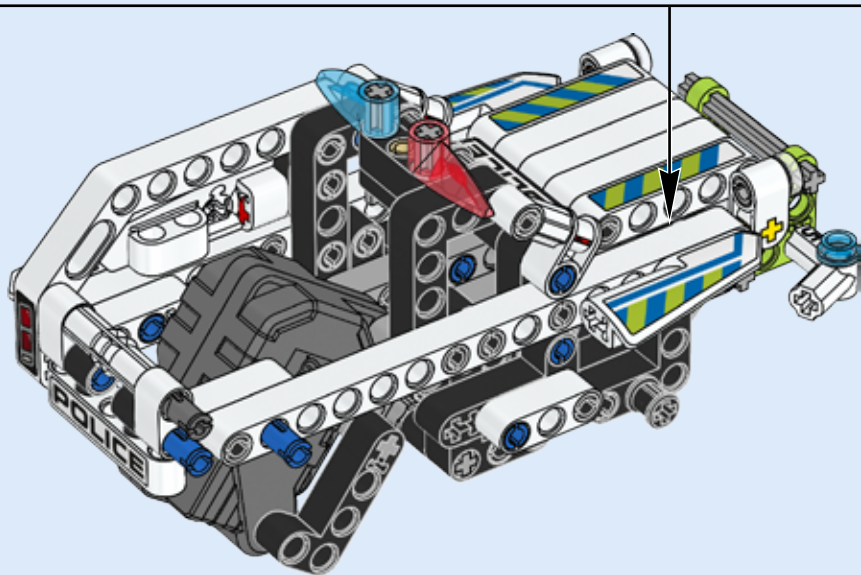
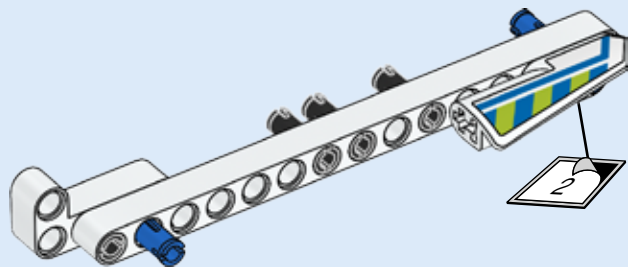


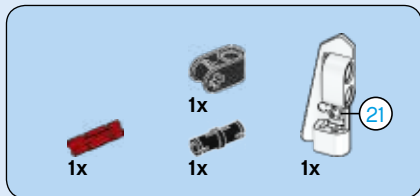


41

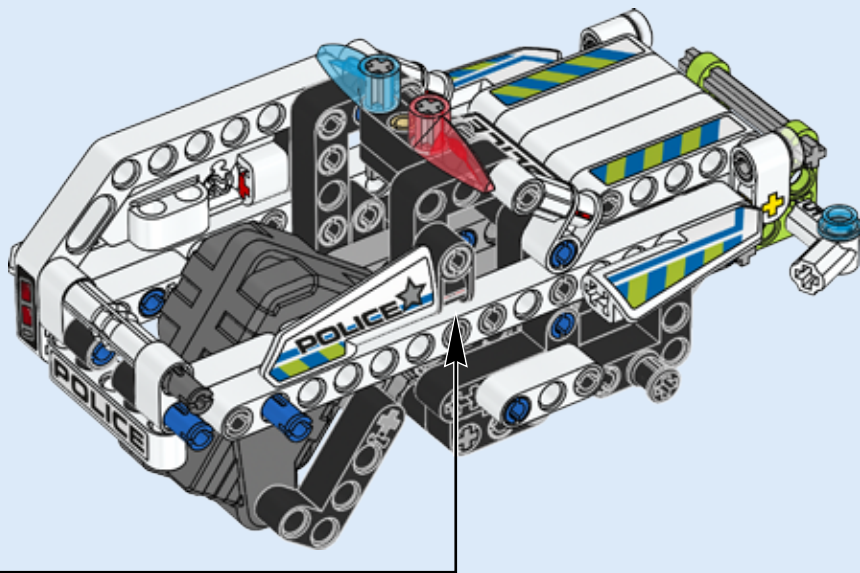
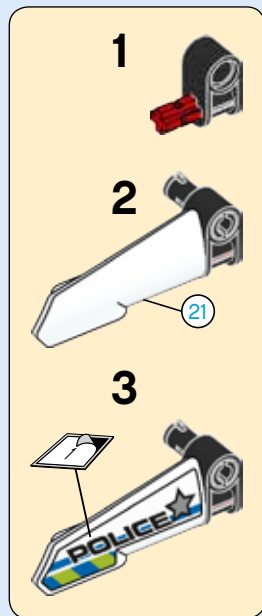


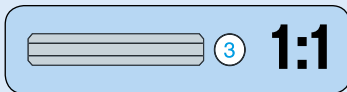
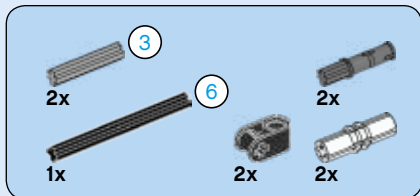
4





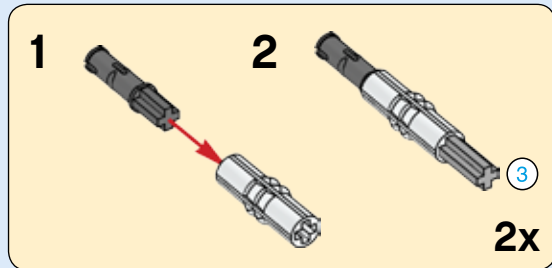
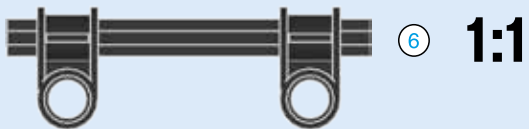
42



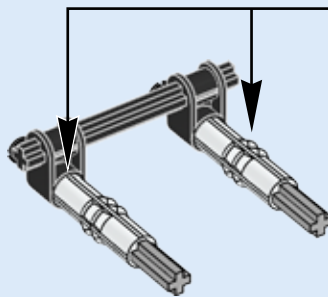


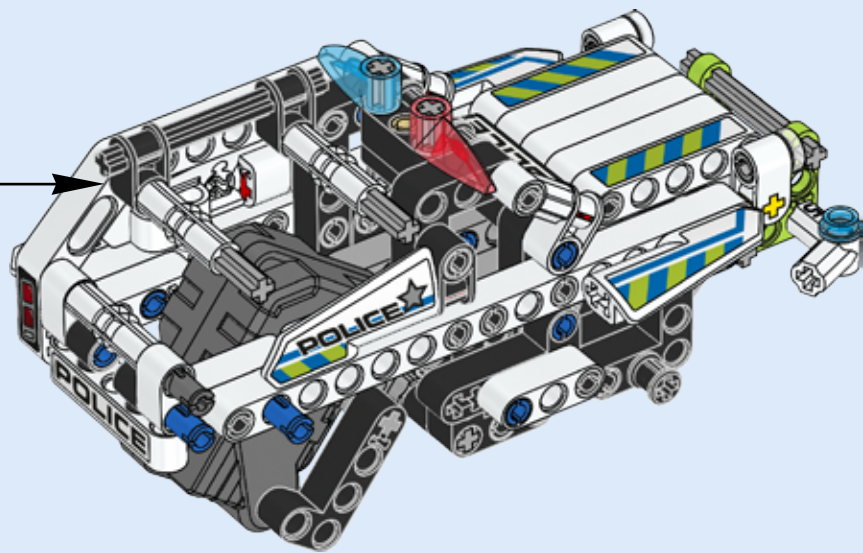
43

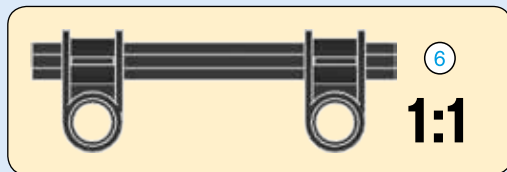
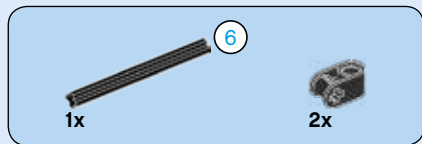
1



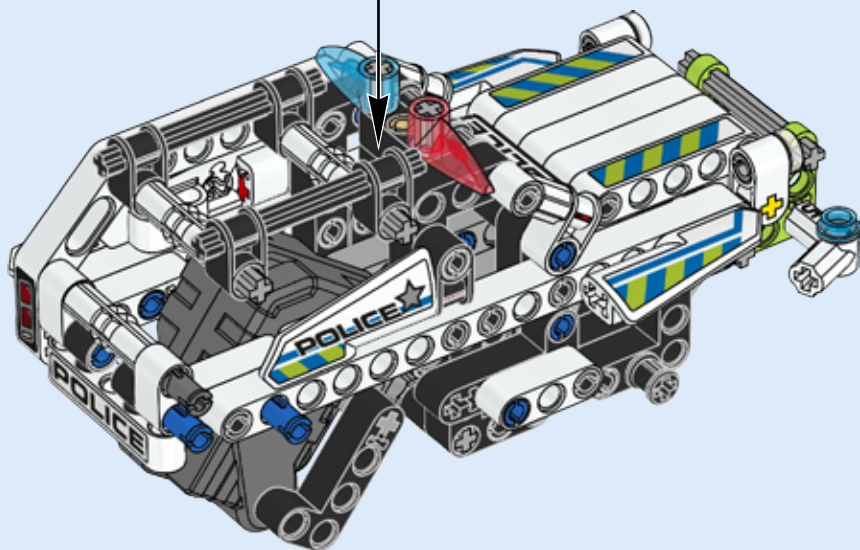
2

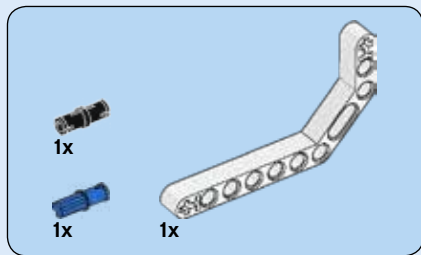




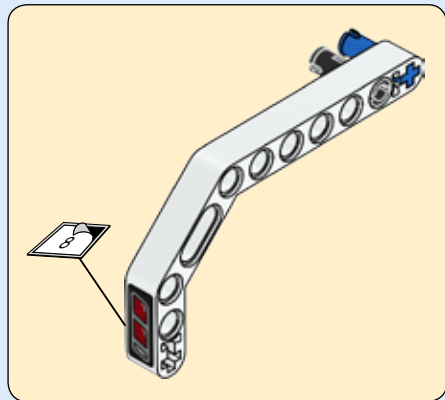
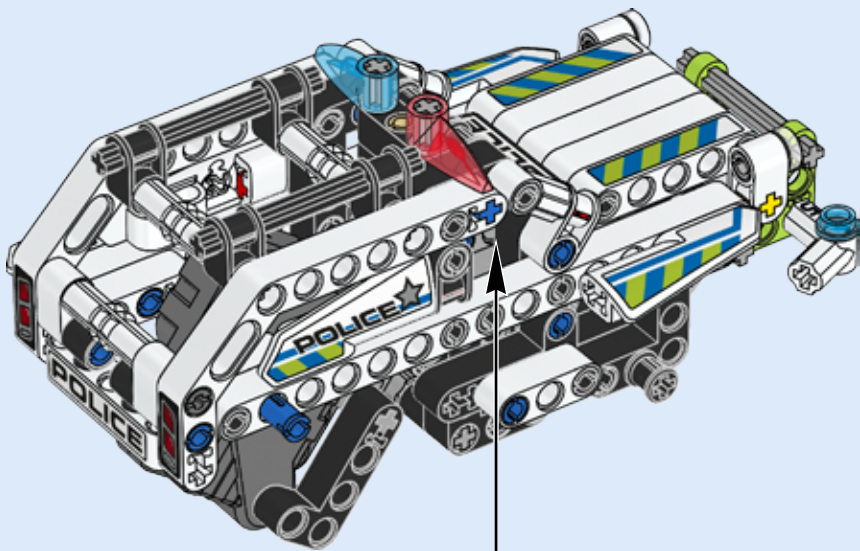


44





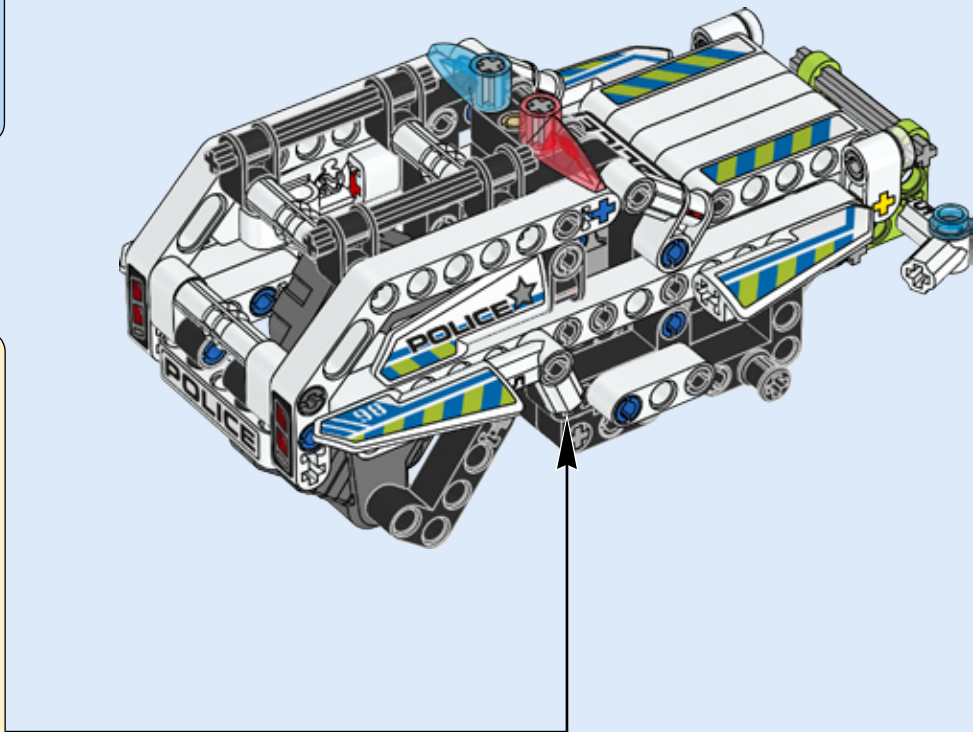
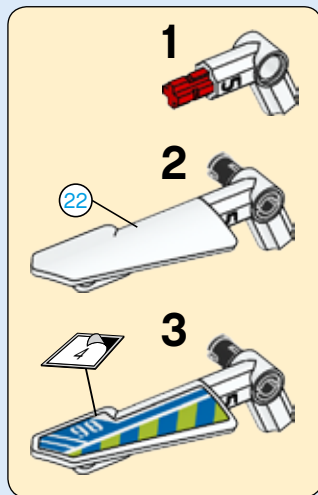
45

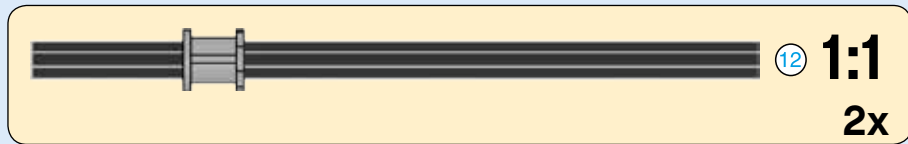
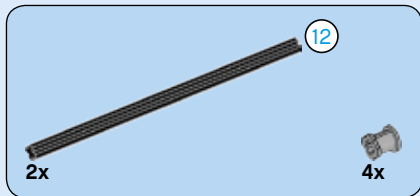


42

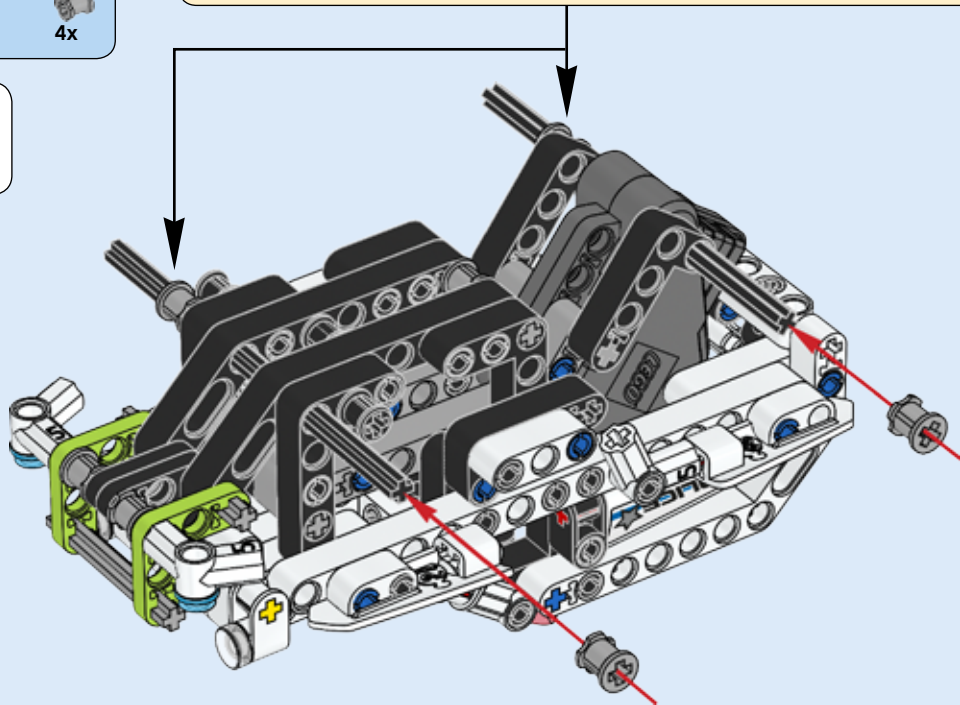
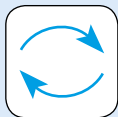


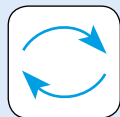
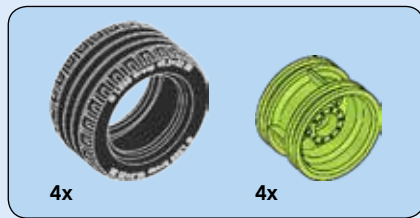
46



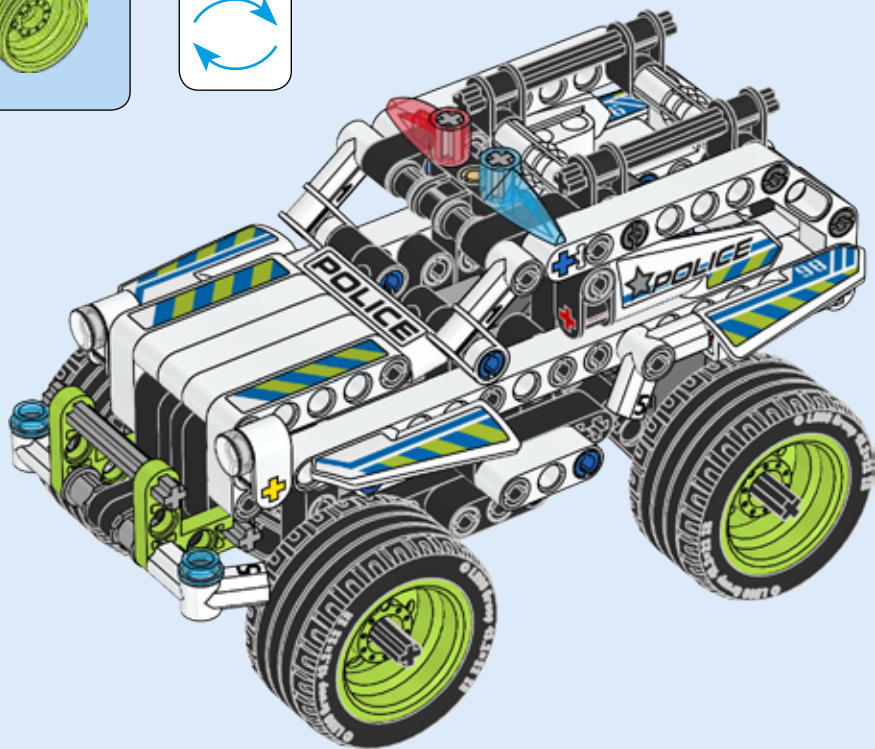


47





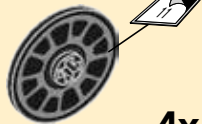
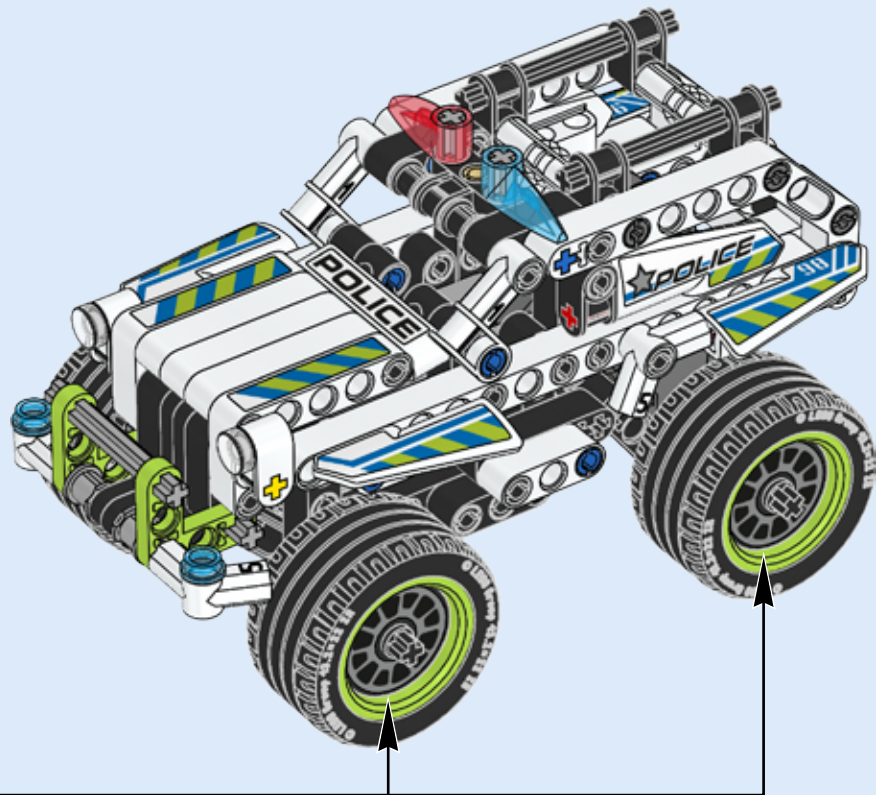
48





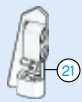
4x

49

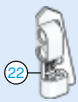


4x

46



3x
6114580



3x
6114583



5x
6015356



2x
4142822



32x
4121715



6x
4142865



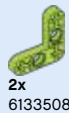
2x
4211483



2x
4208160



2x
4118981



2x
6133508



4x
4120017



5x
4140801



2x
4650498



7x
4211622



2x
4118980



4x
6003297



4x
6133517



6x
4142823



4x
6073231



2x
4206482



2x
6004888



3x
4585040



4x
4173670



1x
6013938



4x
4184286



2x
4164133



18x
4514553



6x
4211815



4x
4249021



3x
6100932



2x
3005743



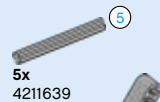
2x
4111998



6x
4173668



1x
4163567



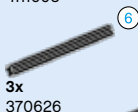
5x
4211639



2x
4495412



1x
6133516



3x
370626



4x
4218868



1x
6143751



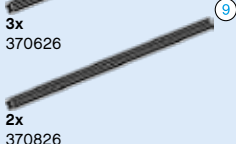
2x
4211624



2x
6130009



1x
6130009



2x
370826



1x
4107828



1x
6007966



2x
4112287

Customer Service

Kundenservice

Service Consommateurs

Servicio Al Consumidor

LEGO.com/service or dial



: 00800 5346 5555

: 1-800-422-5346



TECHNIC



42046



42047





42046



42047



TECHNIC

42048



42044



42045





42049

LEGO® Building Instructions



Google Play is a trademark of Google Inc.
Google Play est une marque de commerce de Google Inc.
Google Play es una marca comercial de Google Inc.

Apple, the Apple logo, iPad, iPhone and iPod touch are trademarks of Apple Inc.
Apple, le logo Apple, iPad, iPhone et iPod touch sont des marques de commerce d'Apple Inc.
Apple, el logotipo de Apple, iPad, iPhone e iPod touch son marcas comerciales de Apple Inc.

