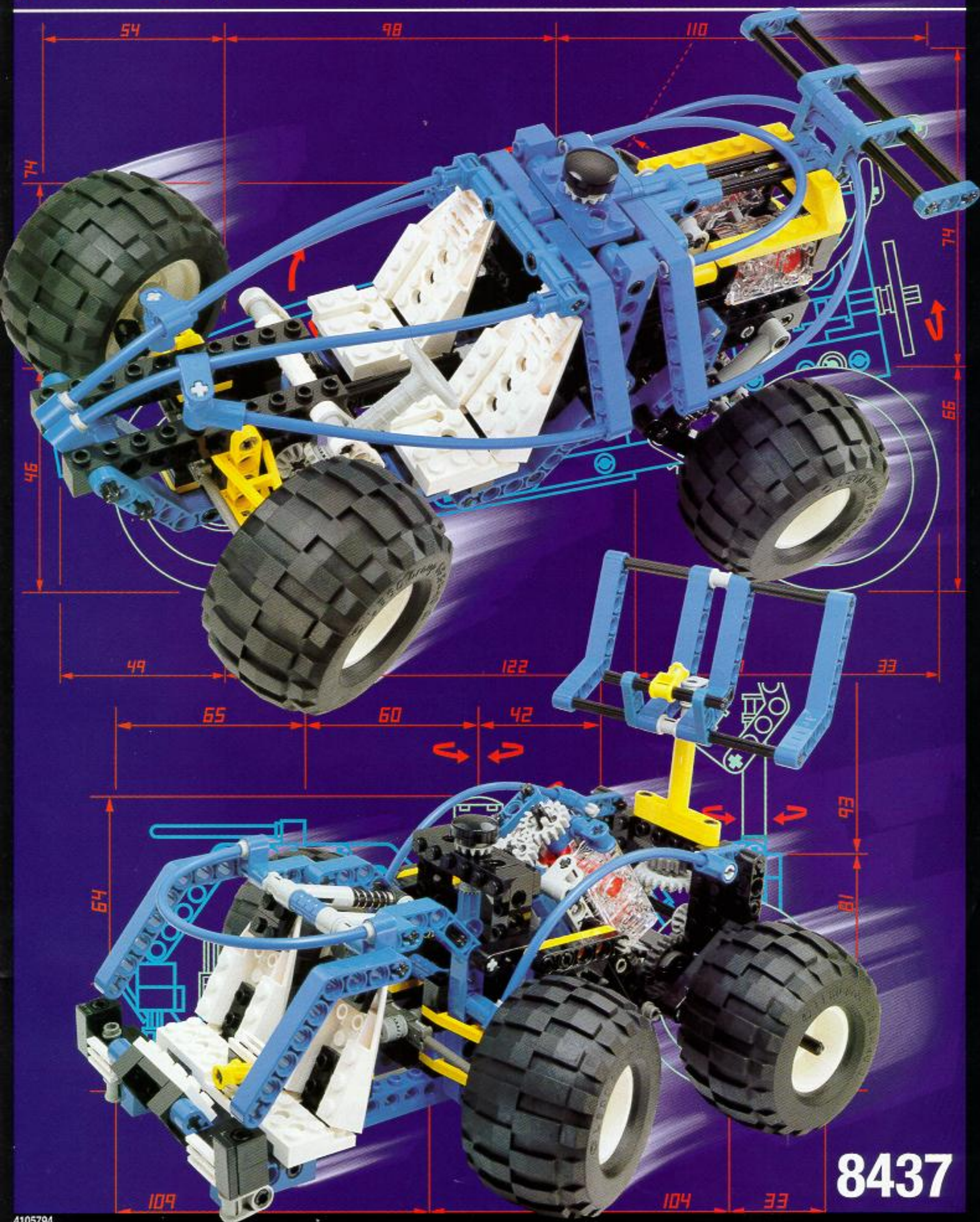


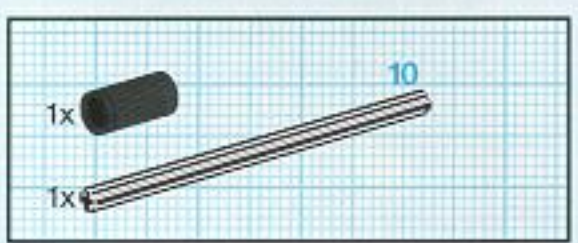
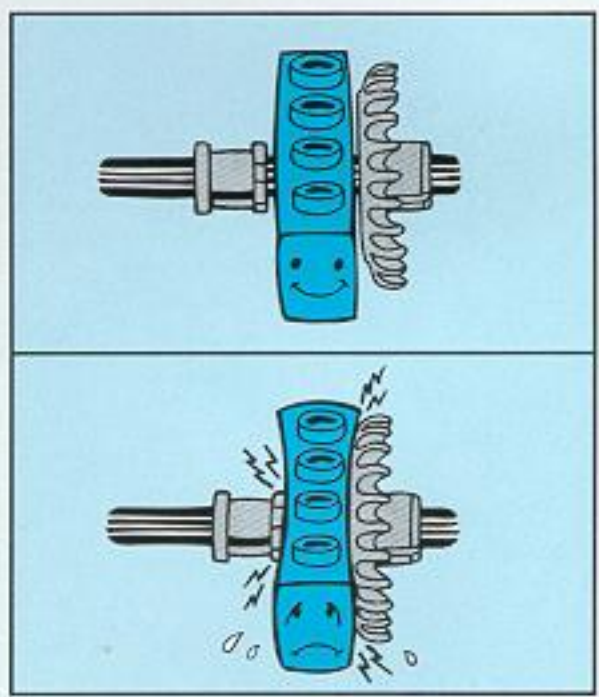
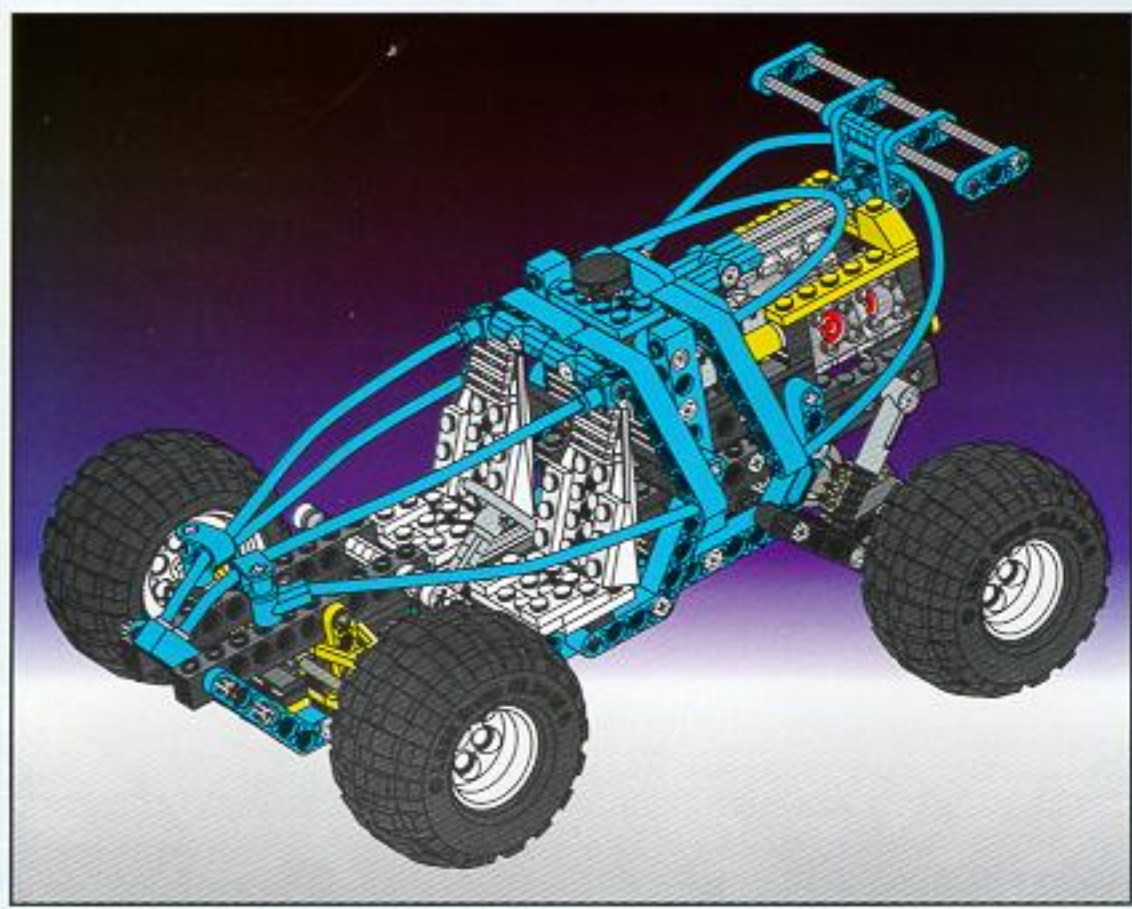
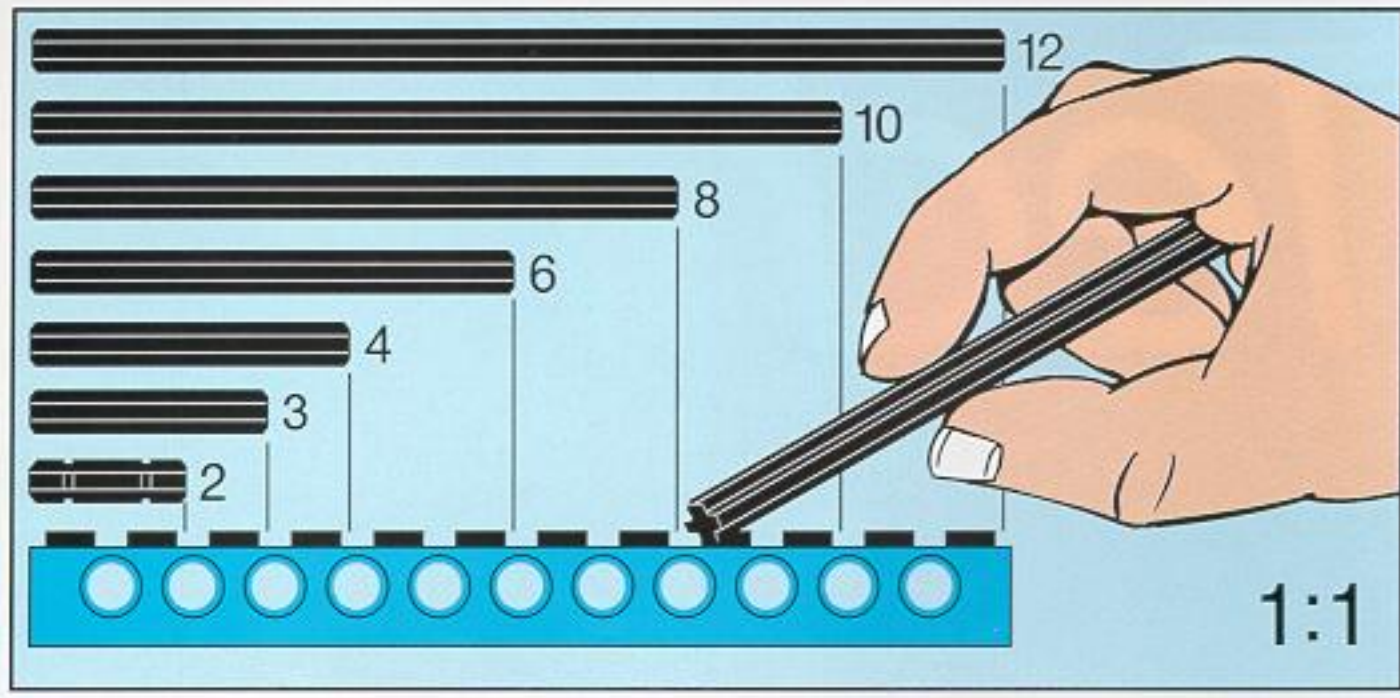


# Technic



8437

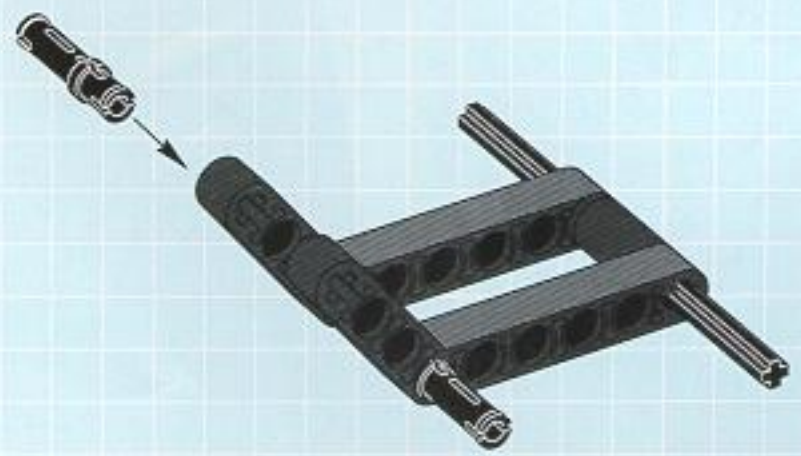
0 1 2 3 4 5 6 7 8 9 10 11 12 13 14 15 16 17 18 19 20 21 22 23 24 25 26 27 CM

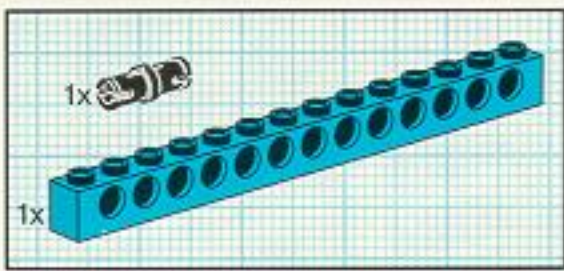


**1**

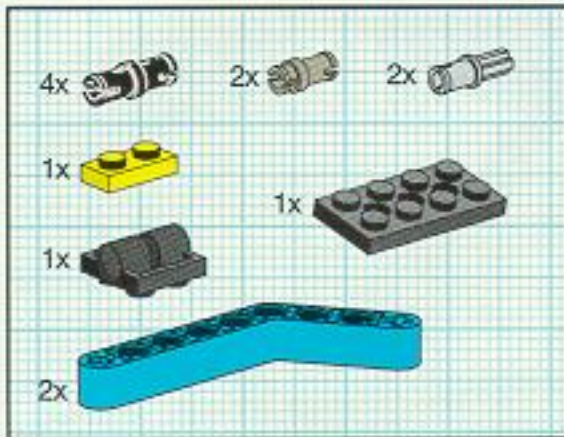
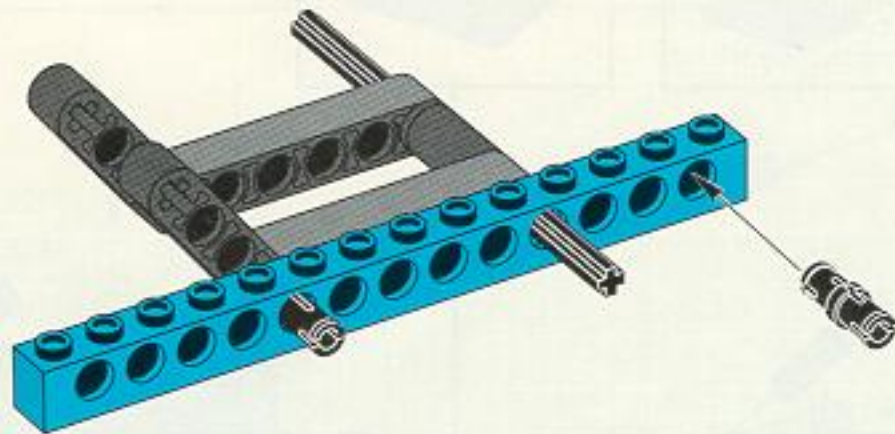


**2**

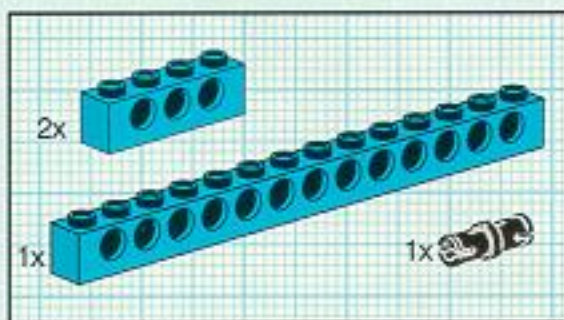
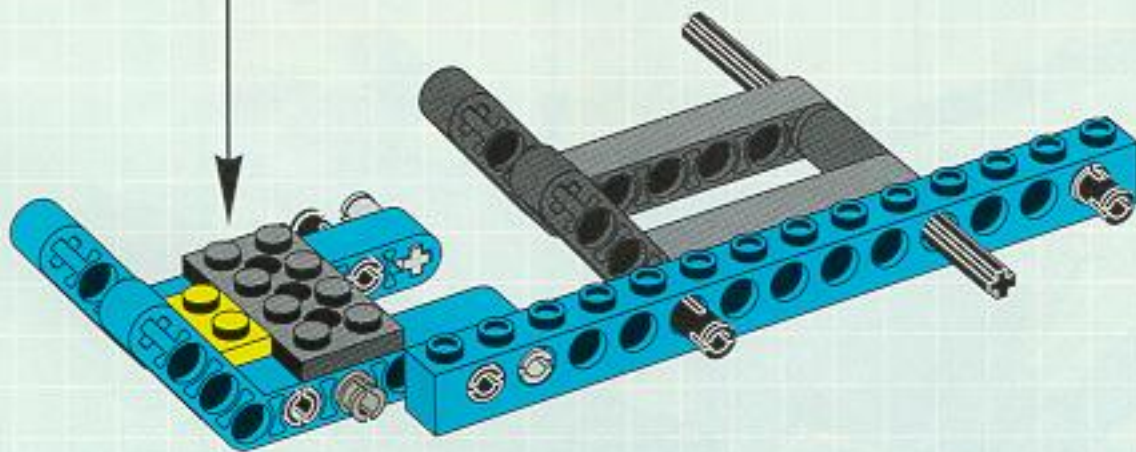
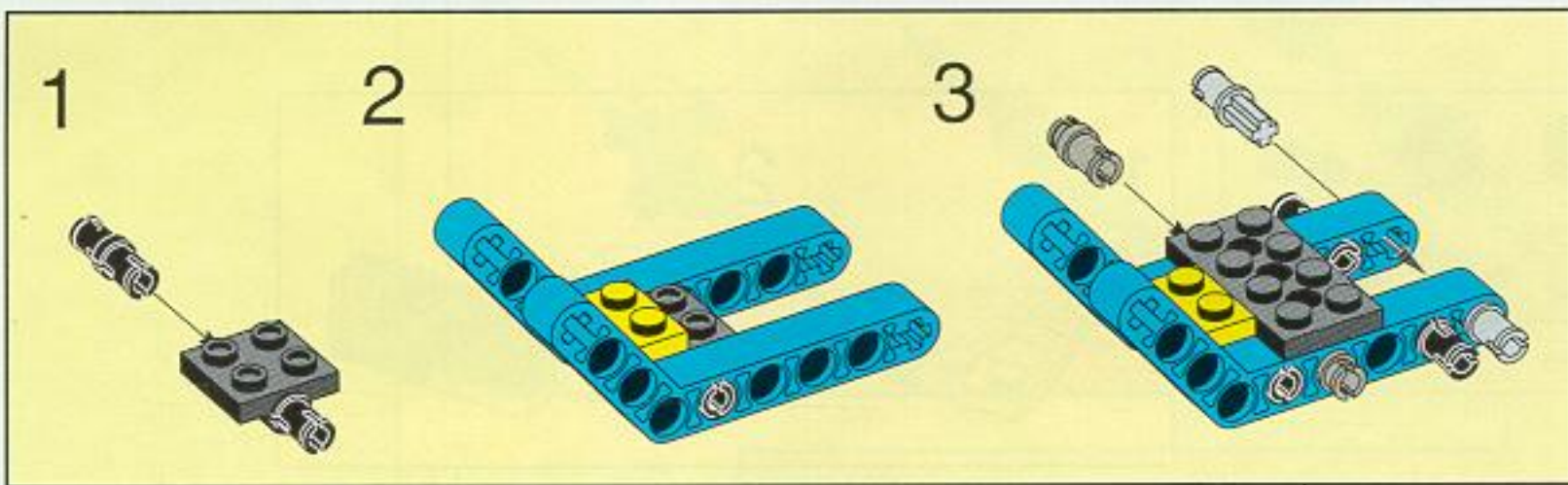




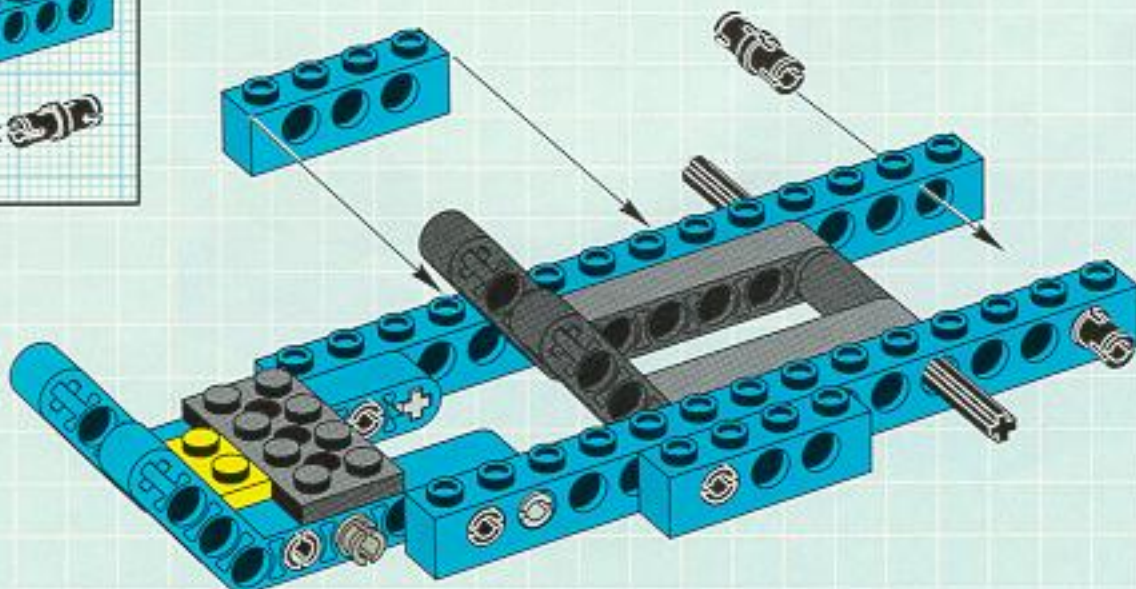
3

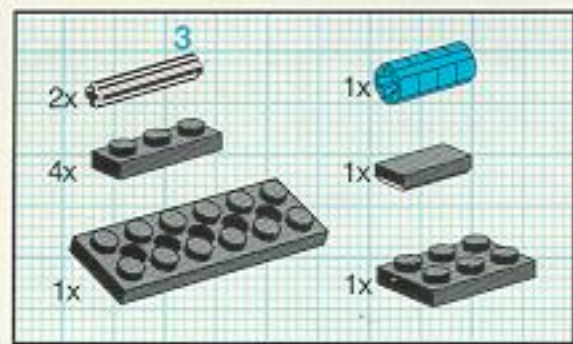


4

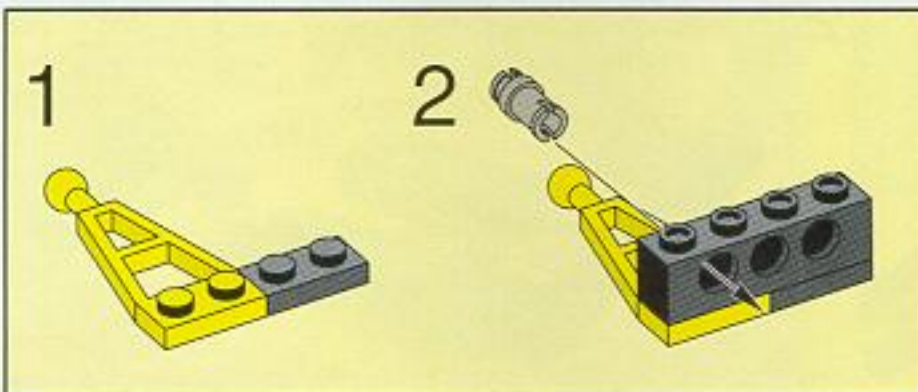
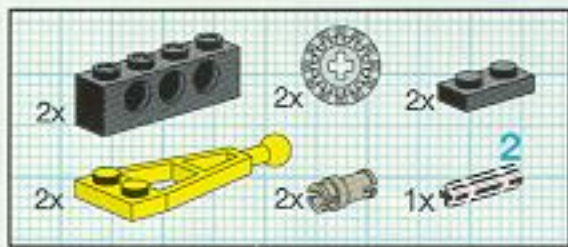
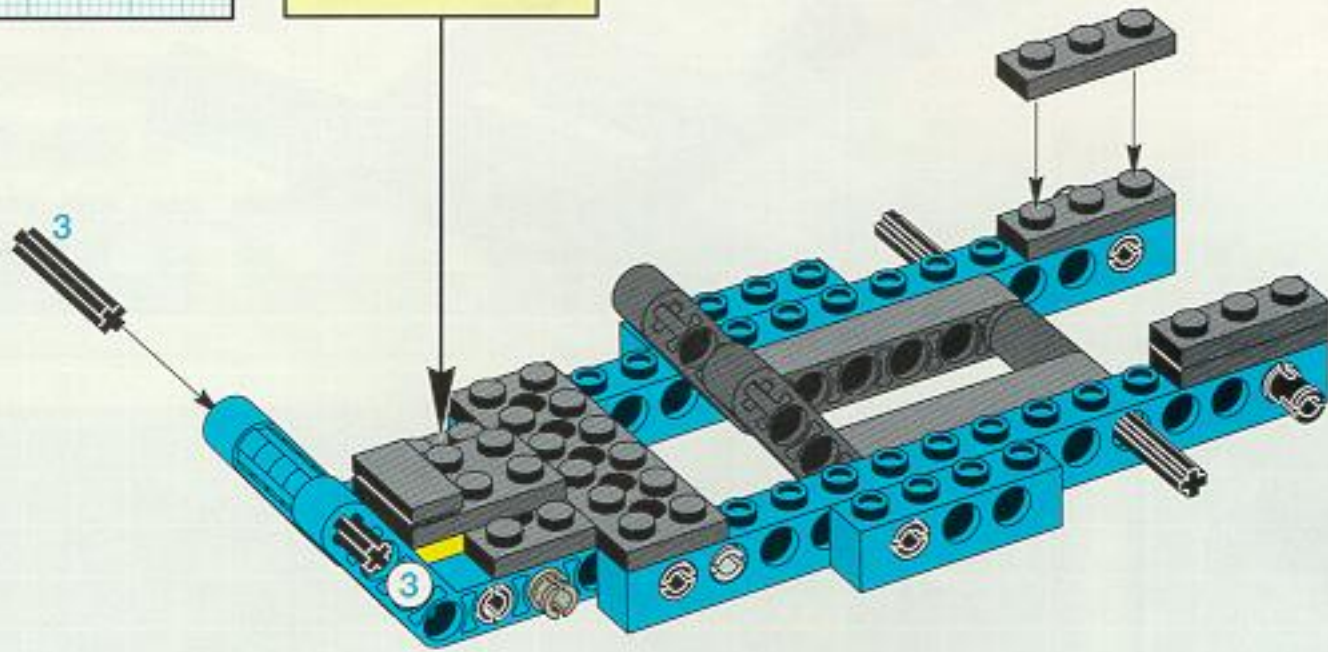


5

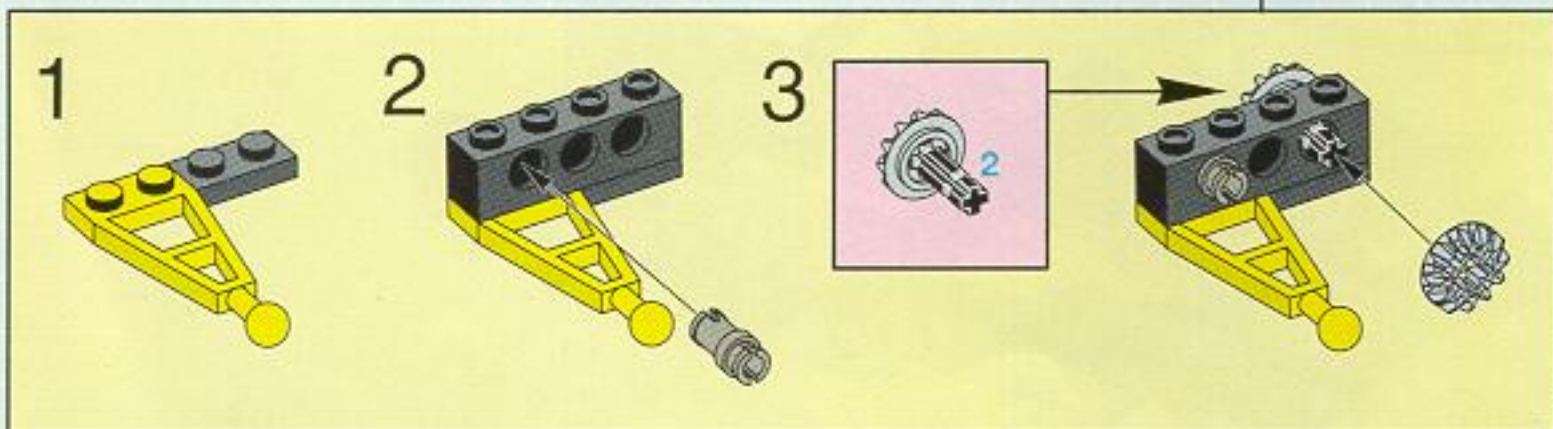
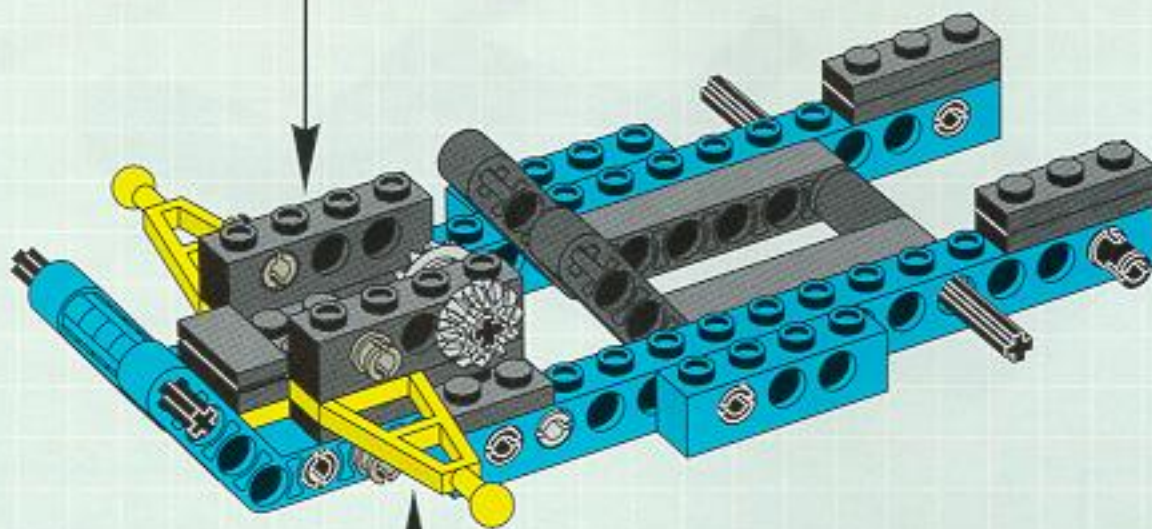




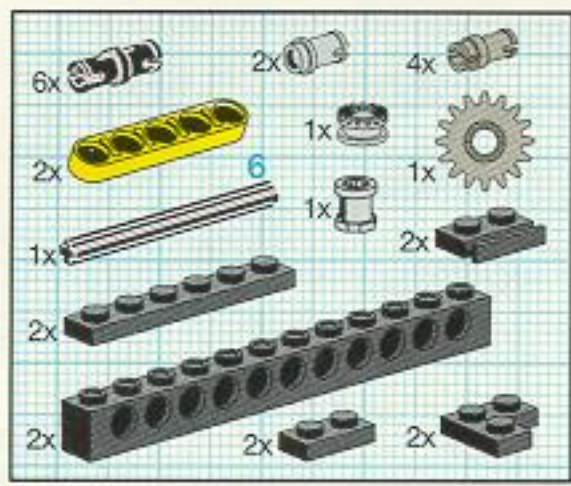
6



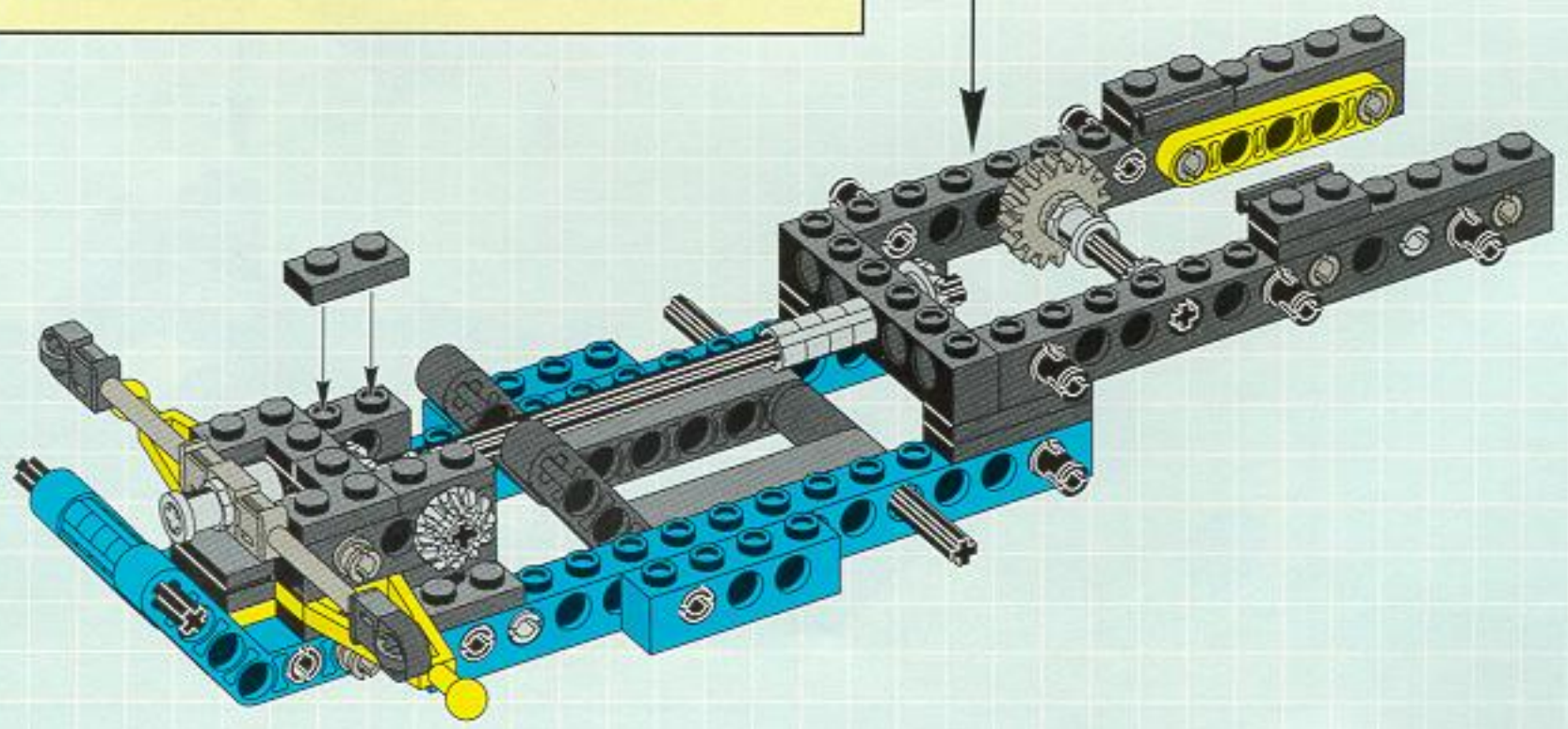
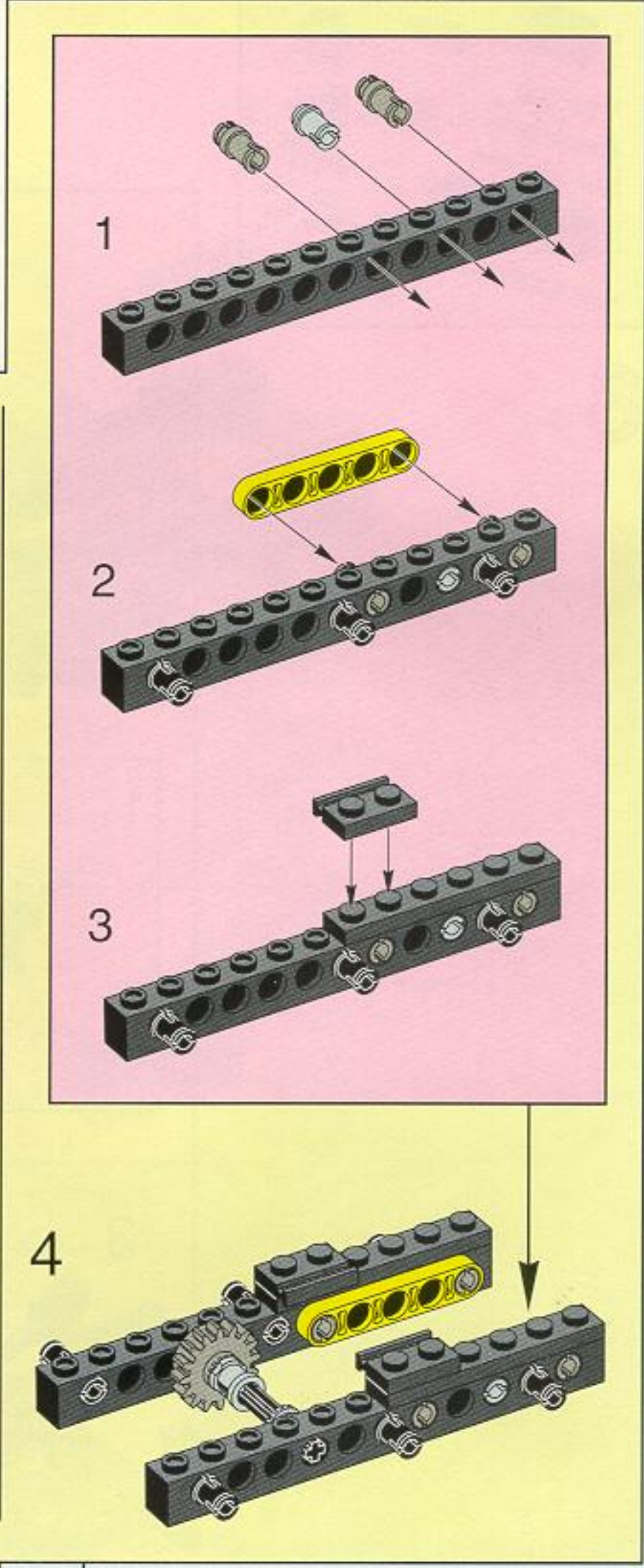
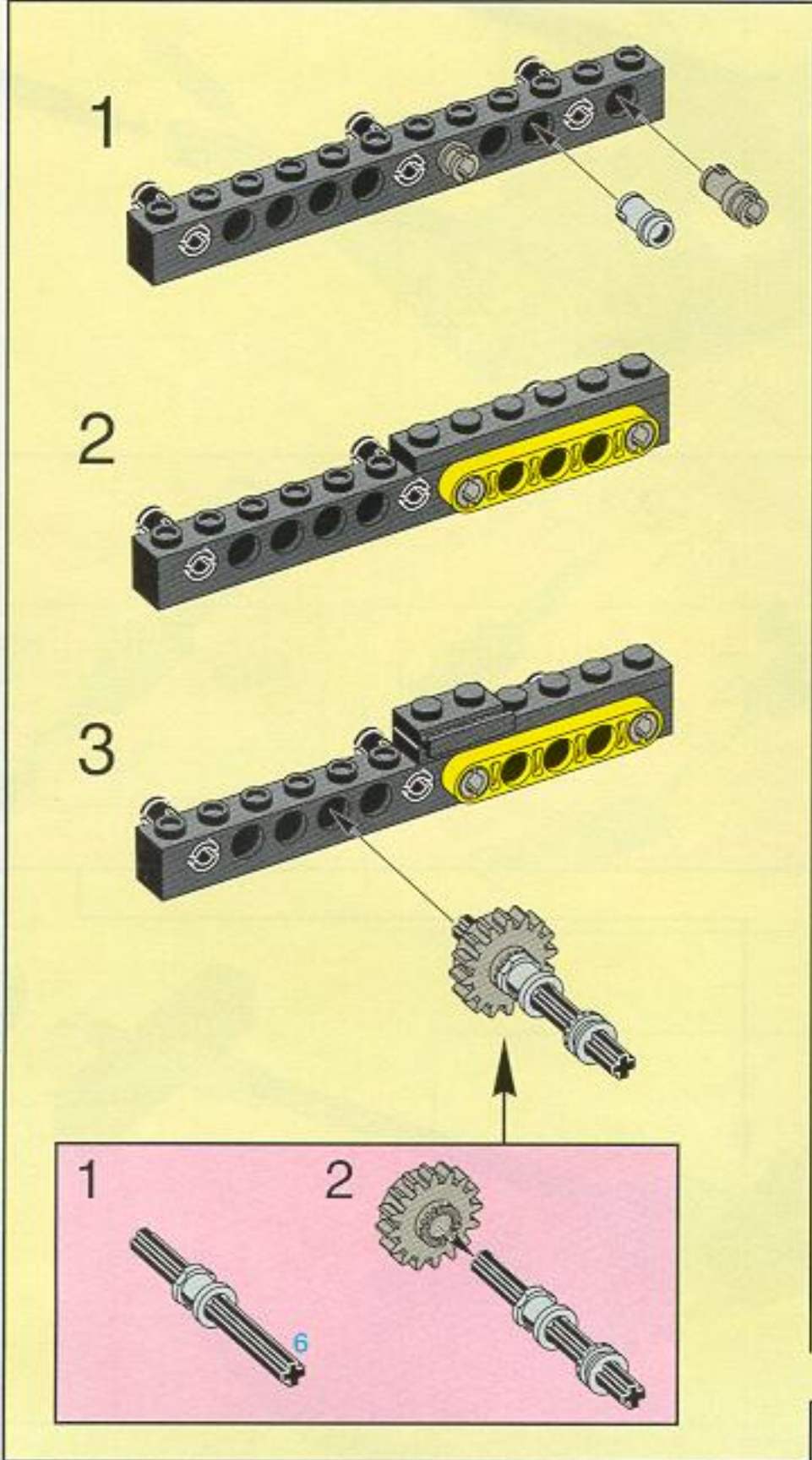
7



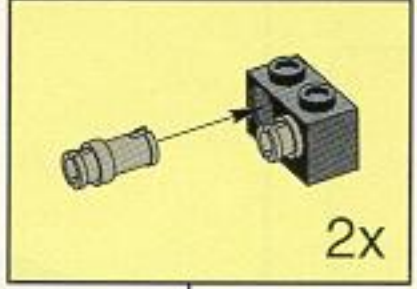
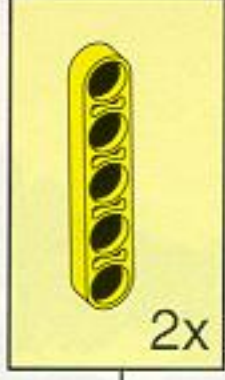
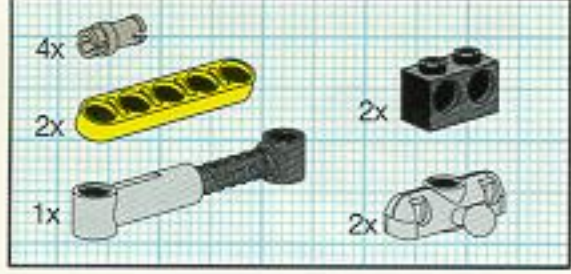




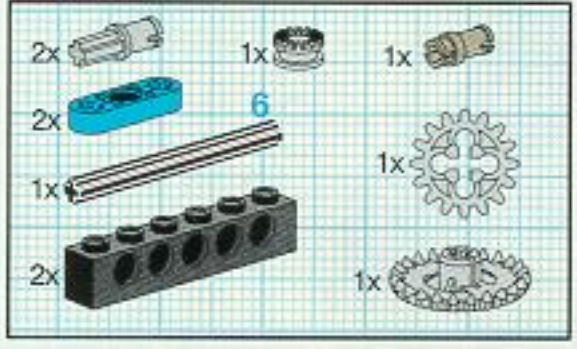
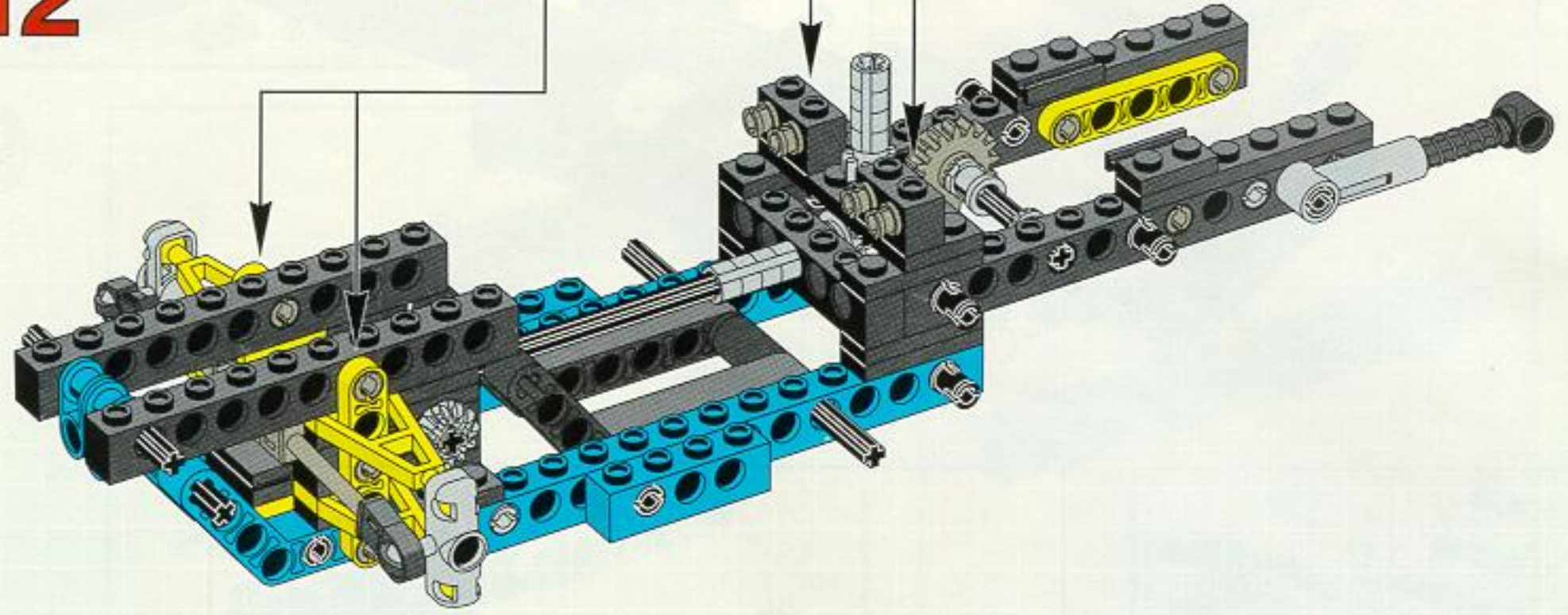
# 9



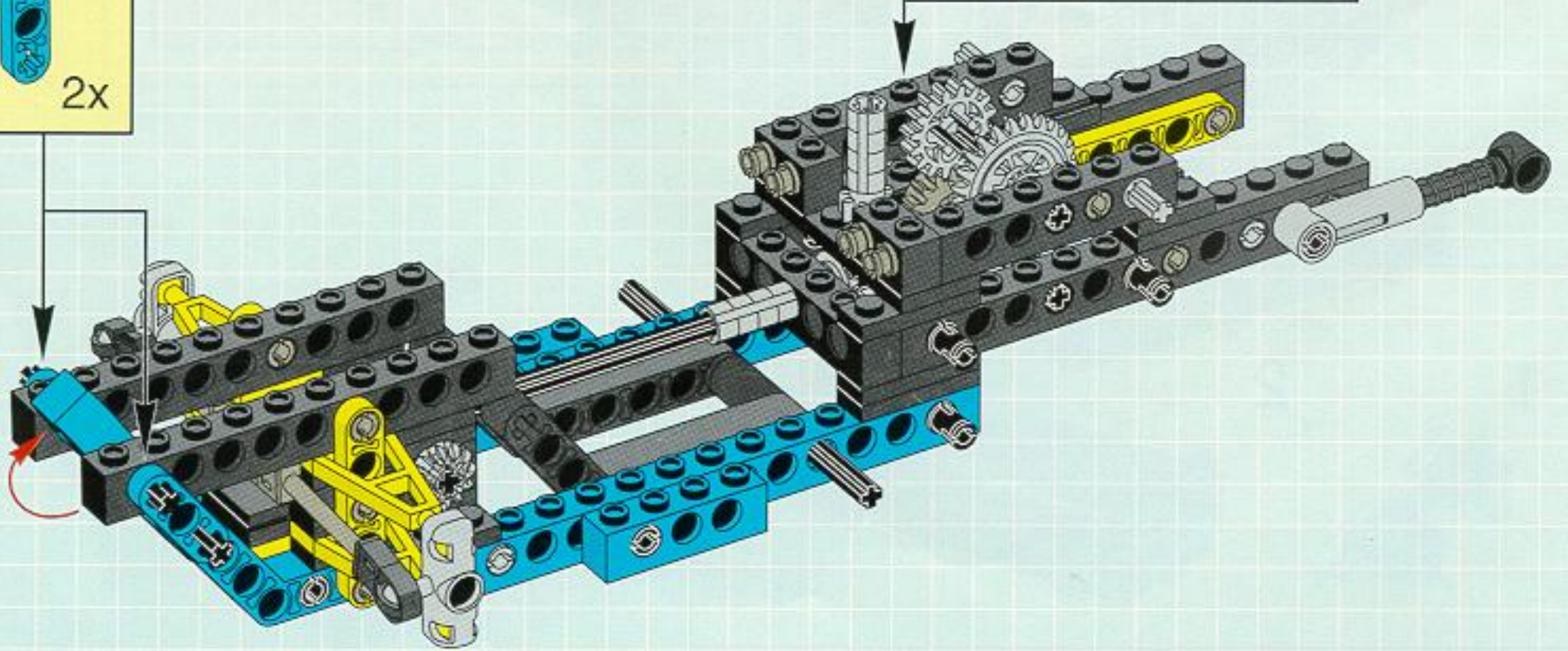
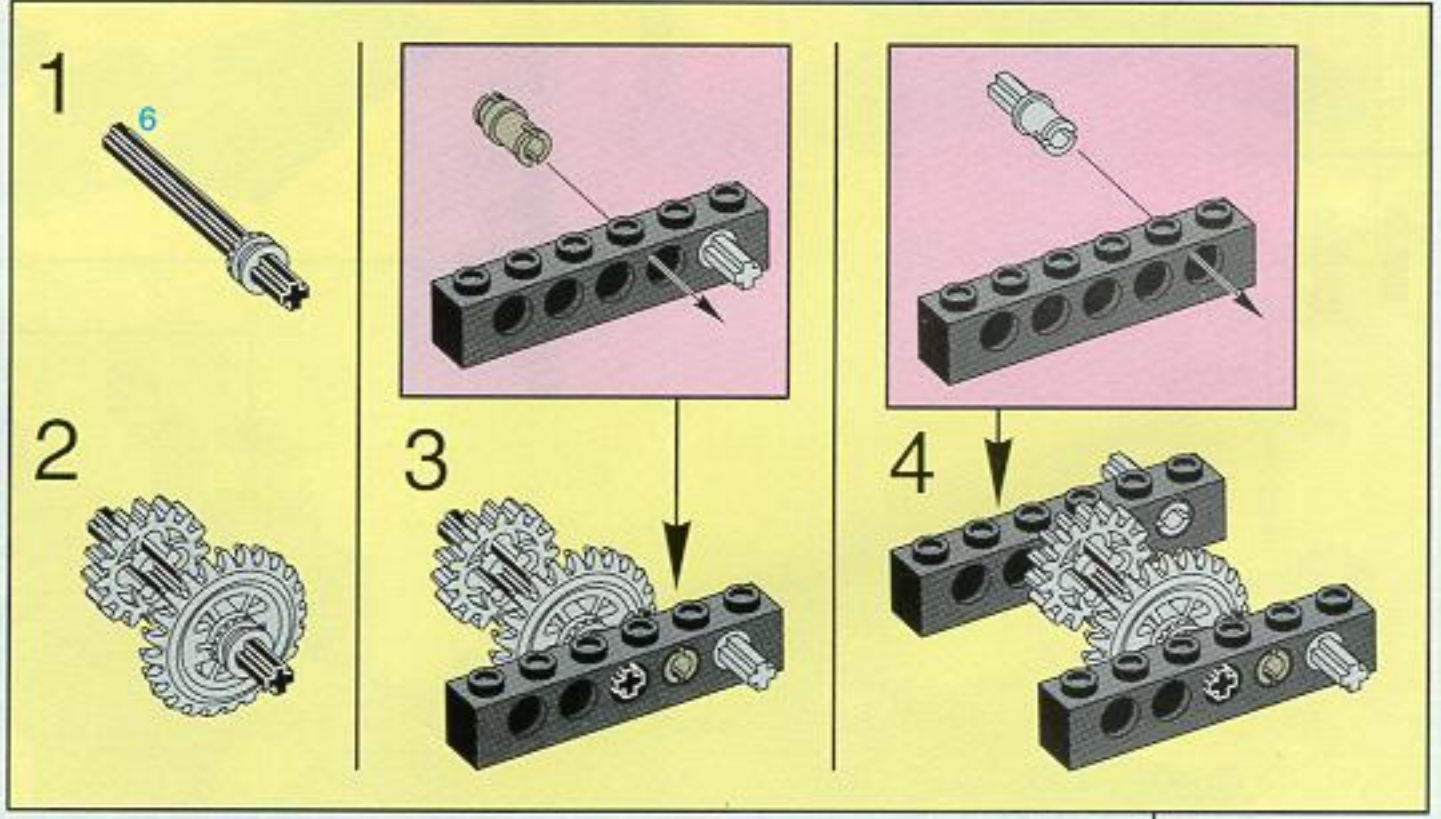




12

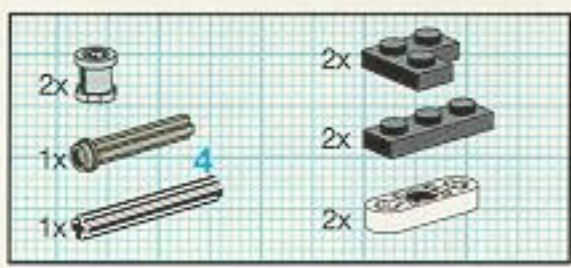


13

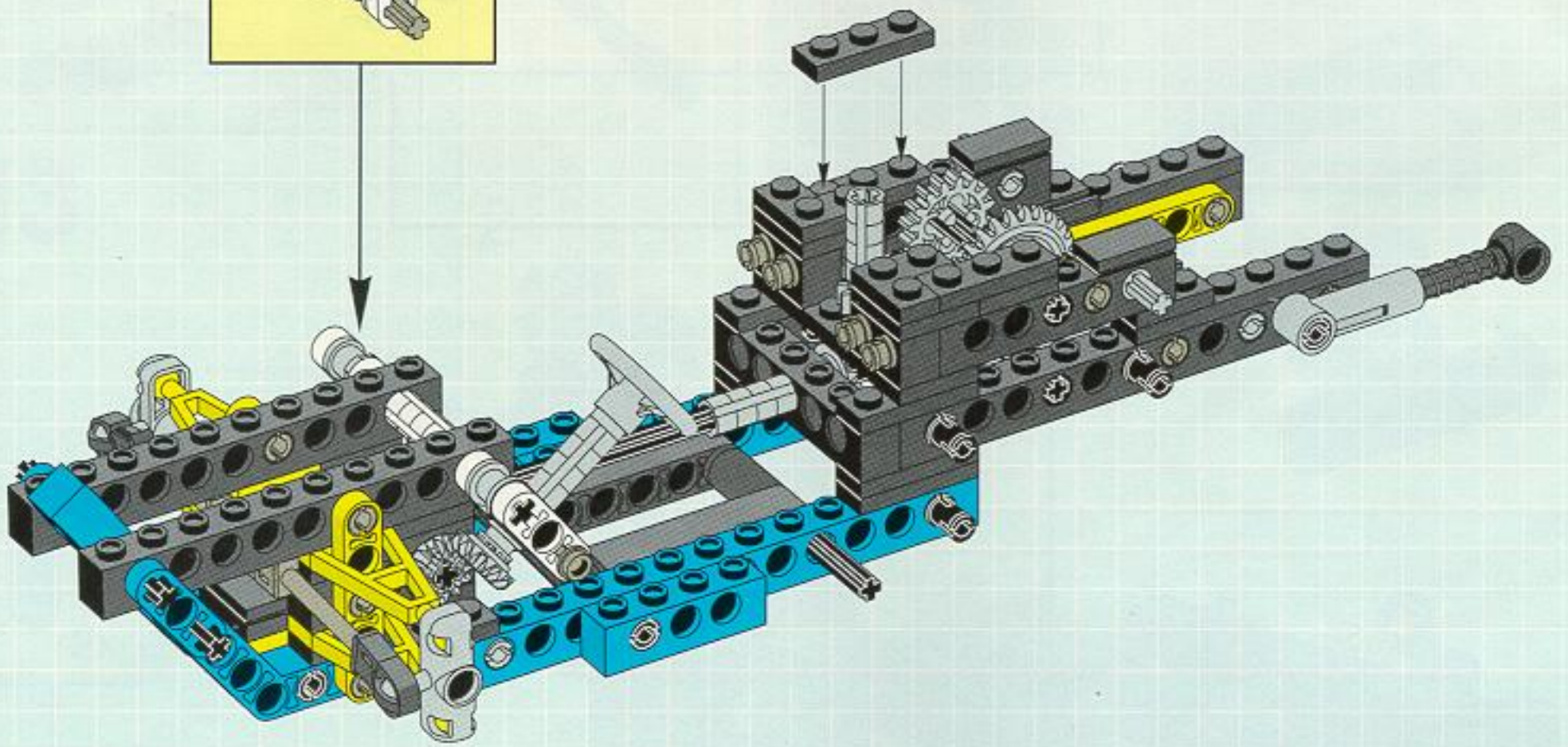
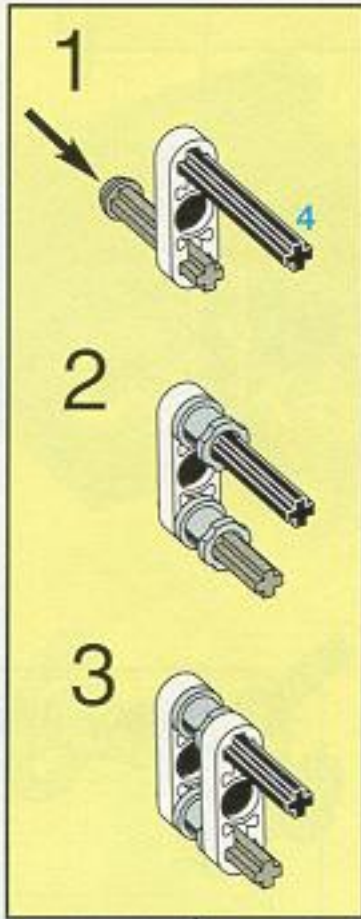


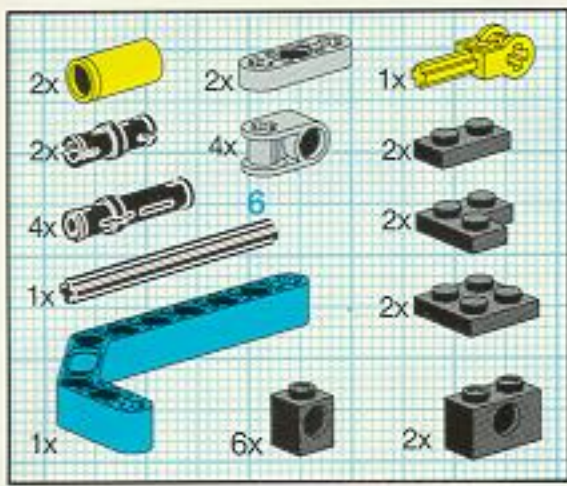




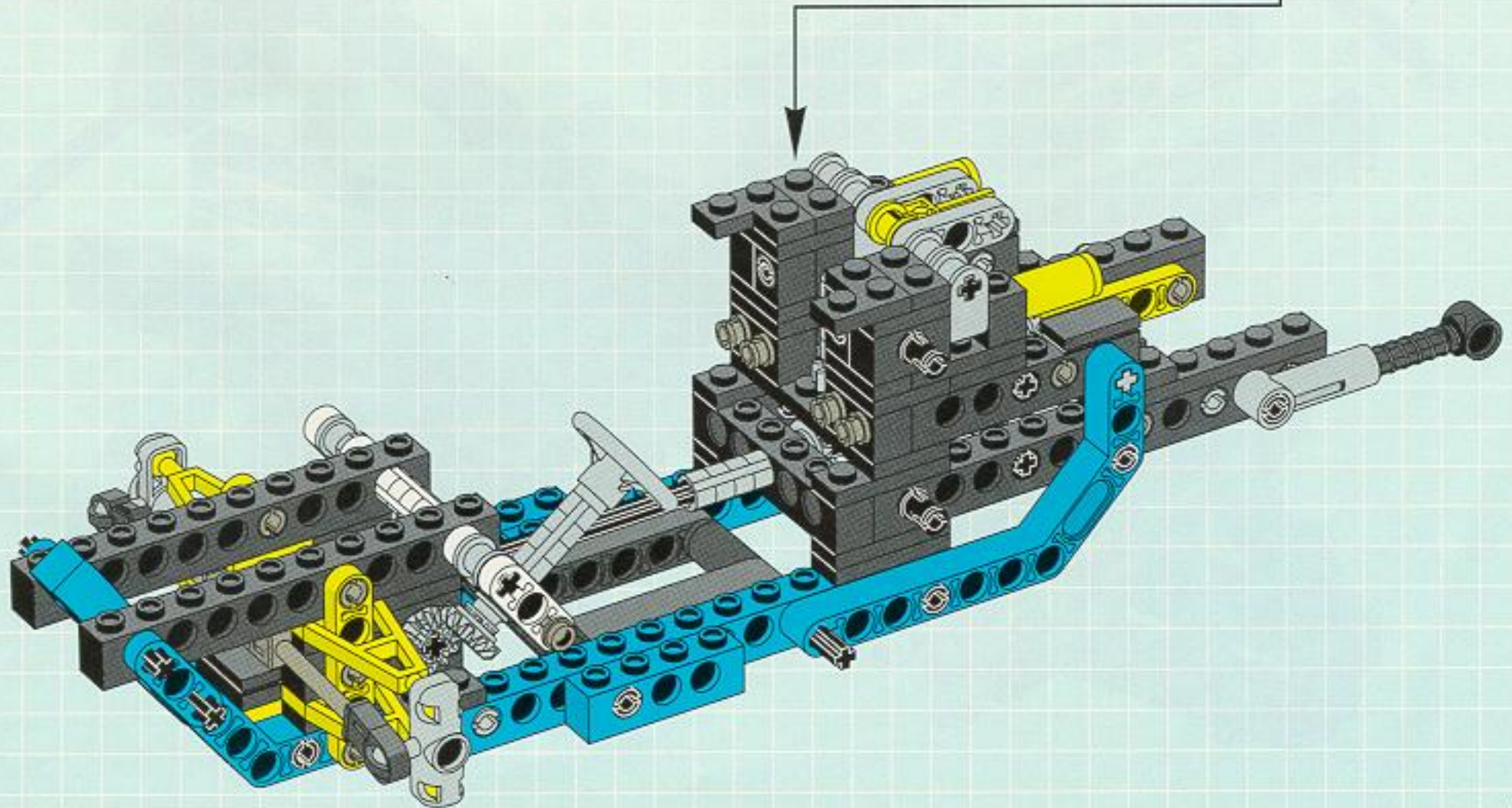
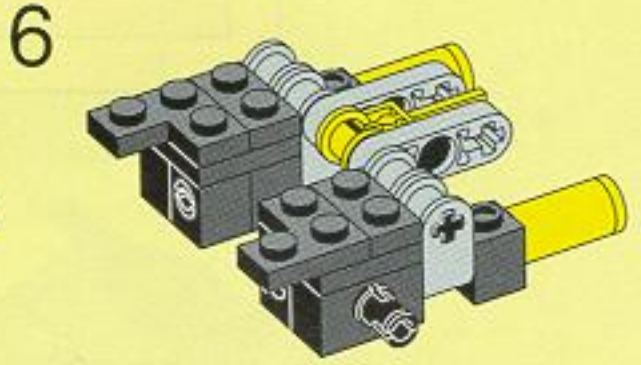
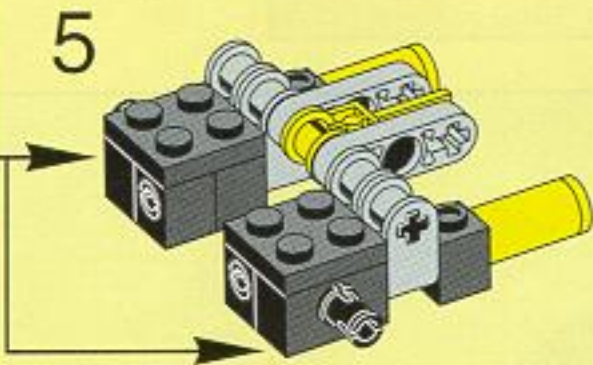
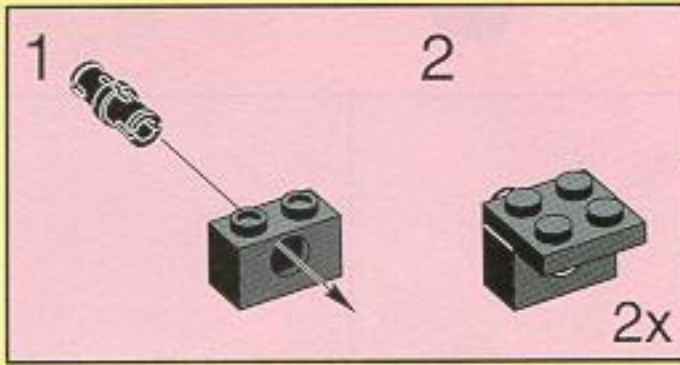
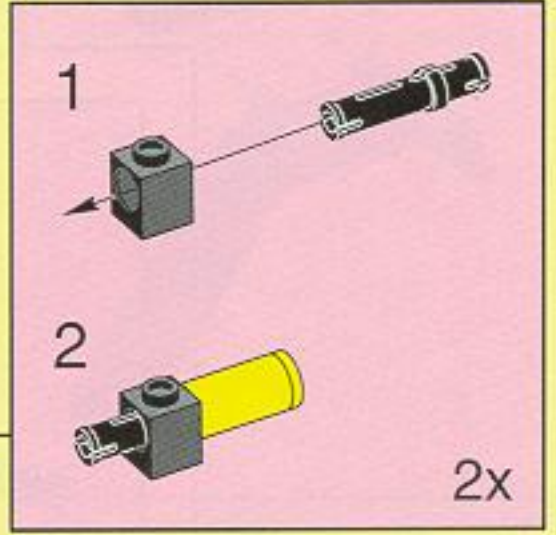
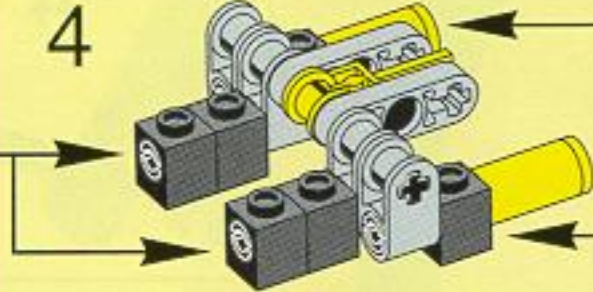
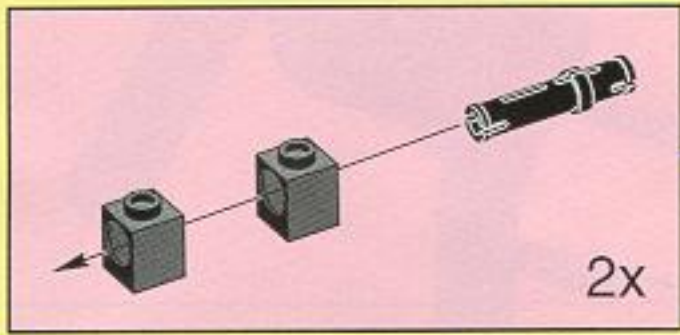
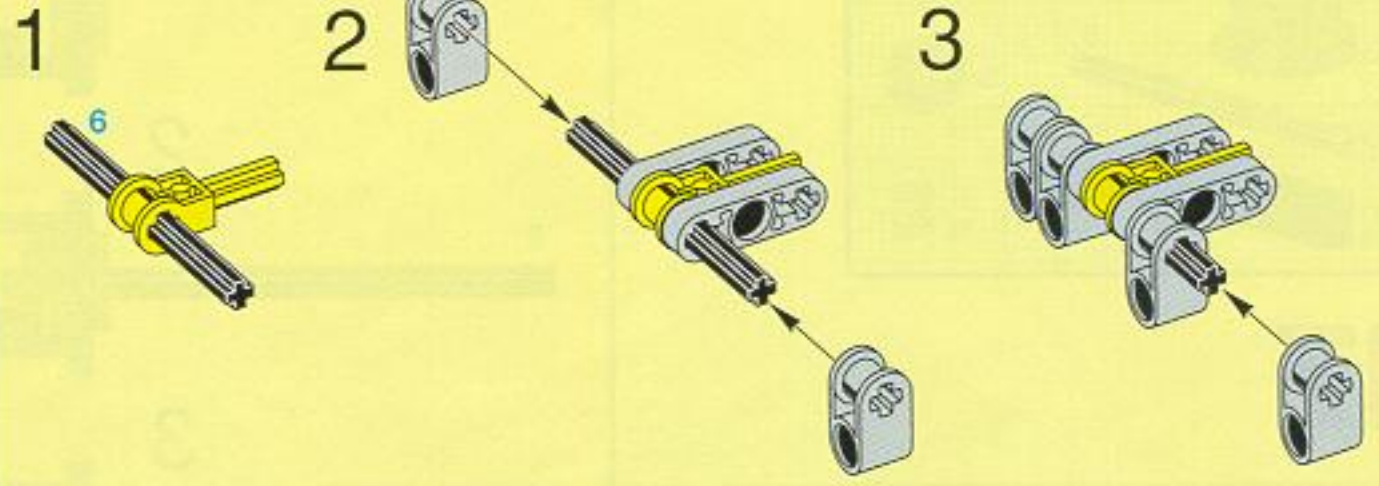


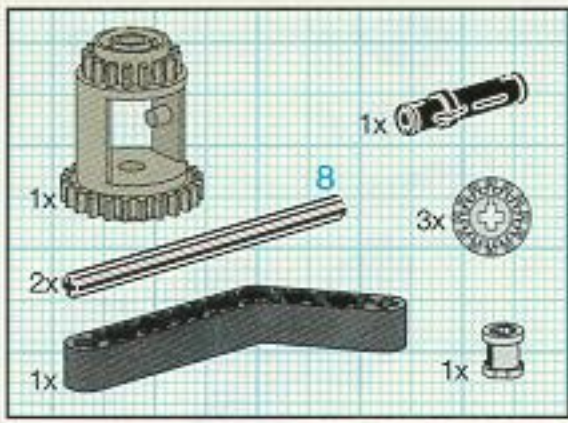
# 15



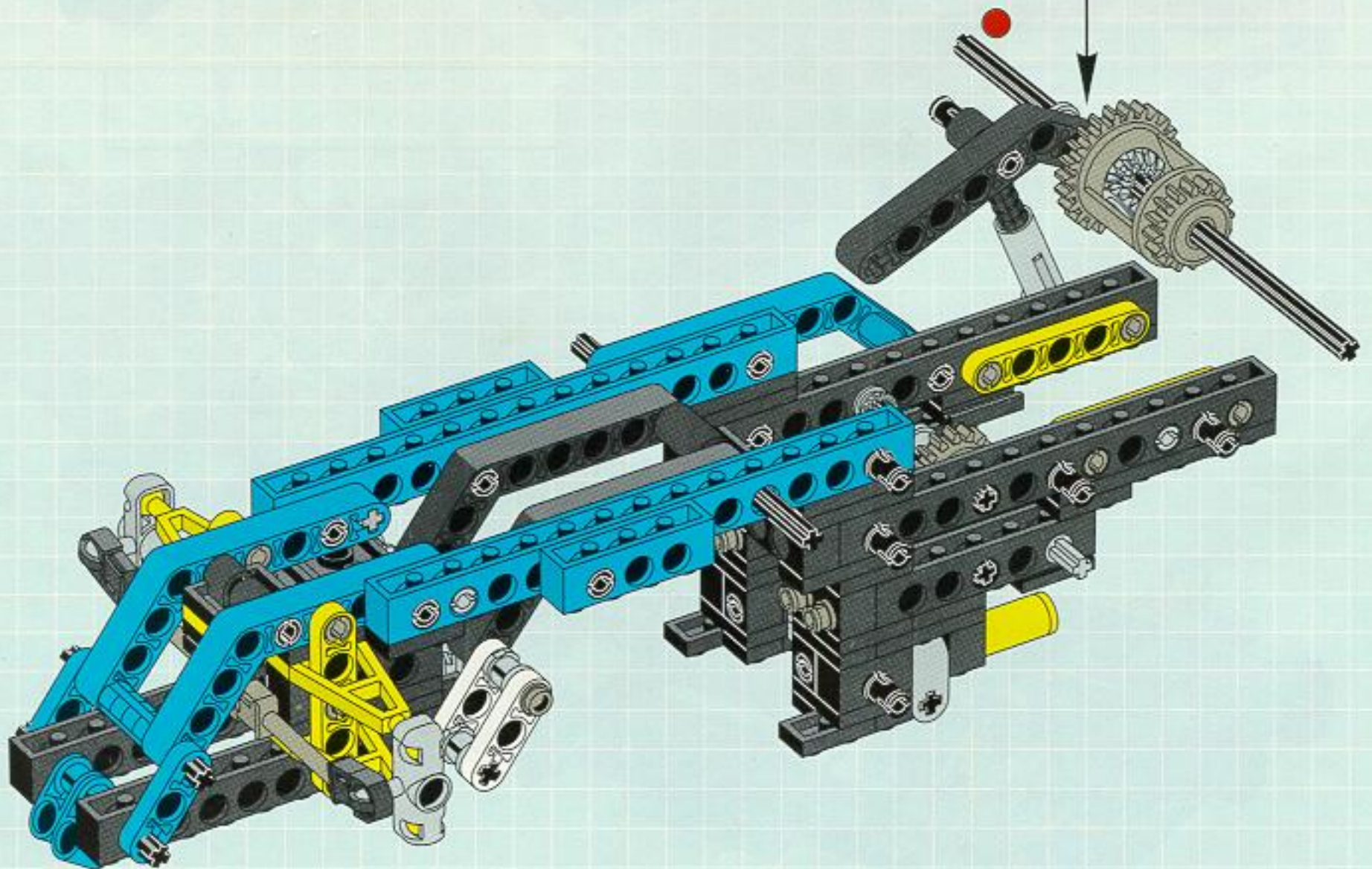
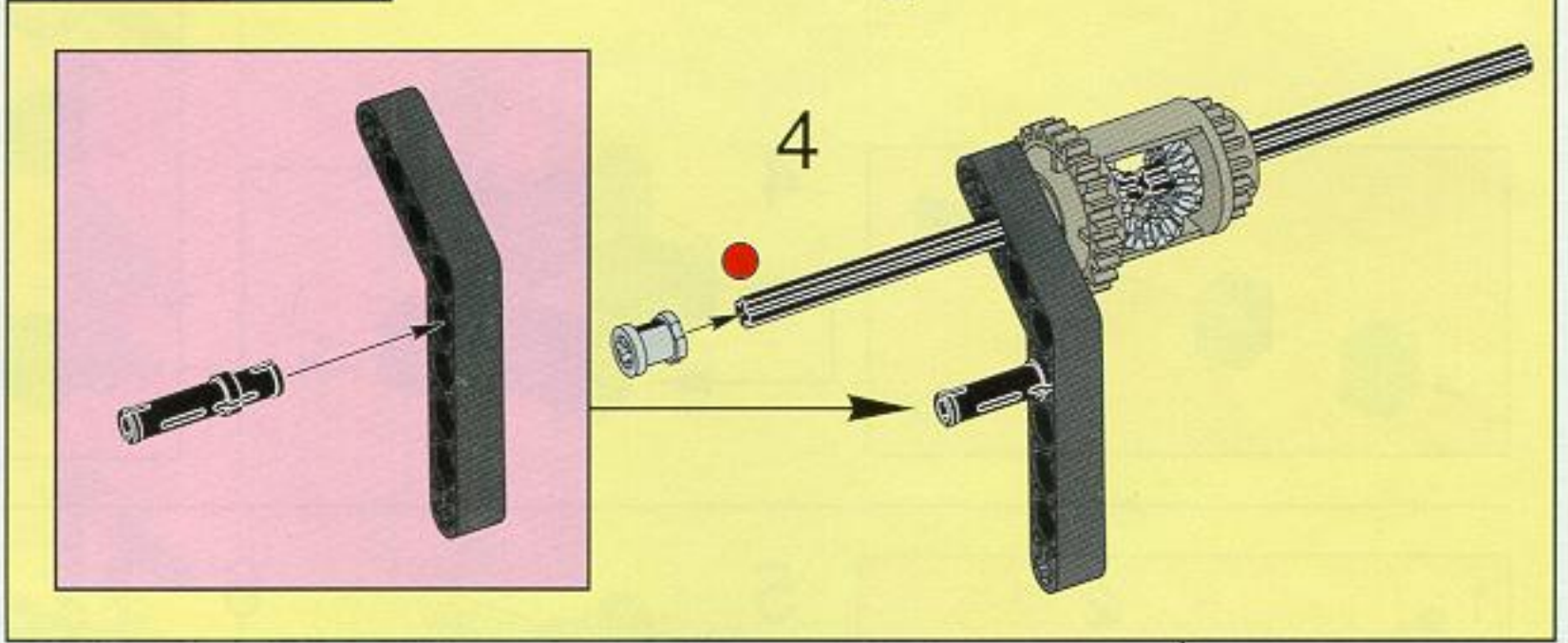
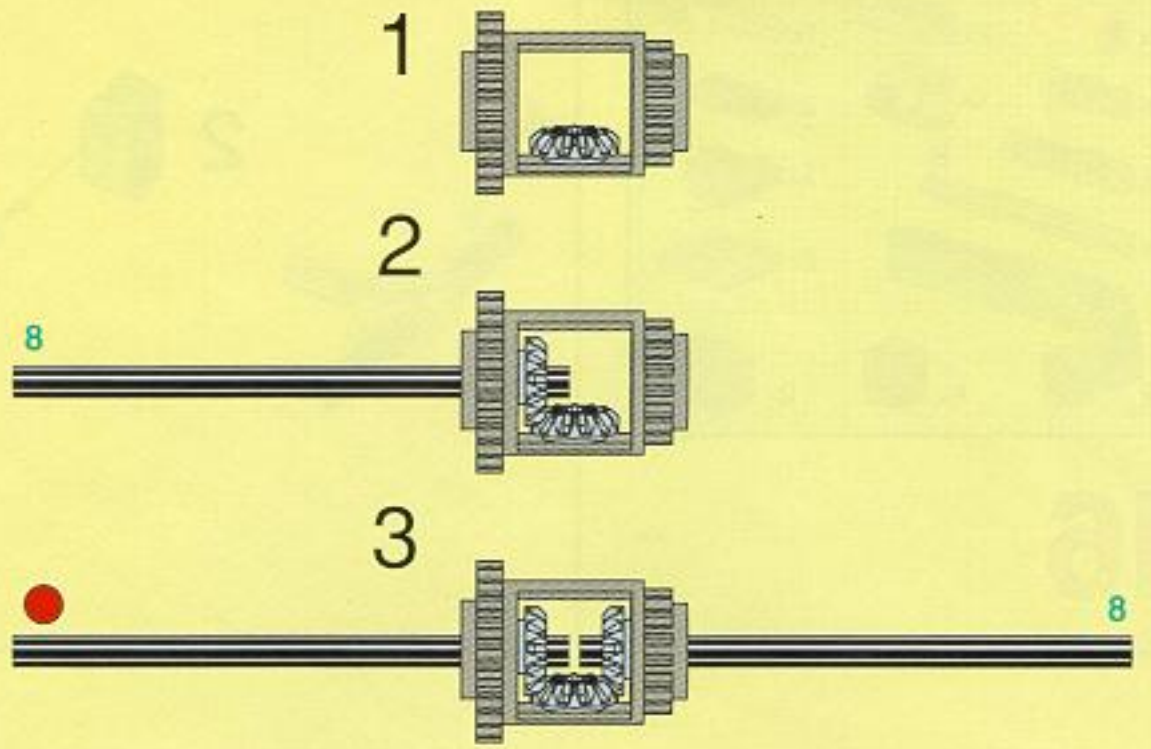


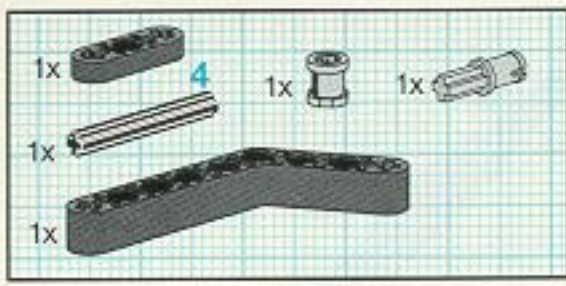
# 16



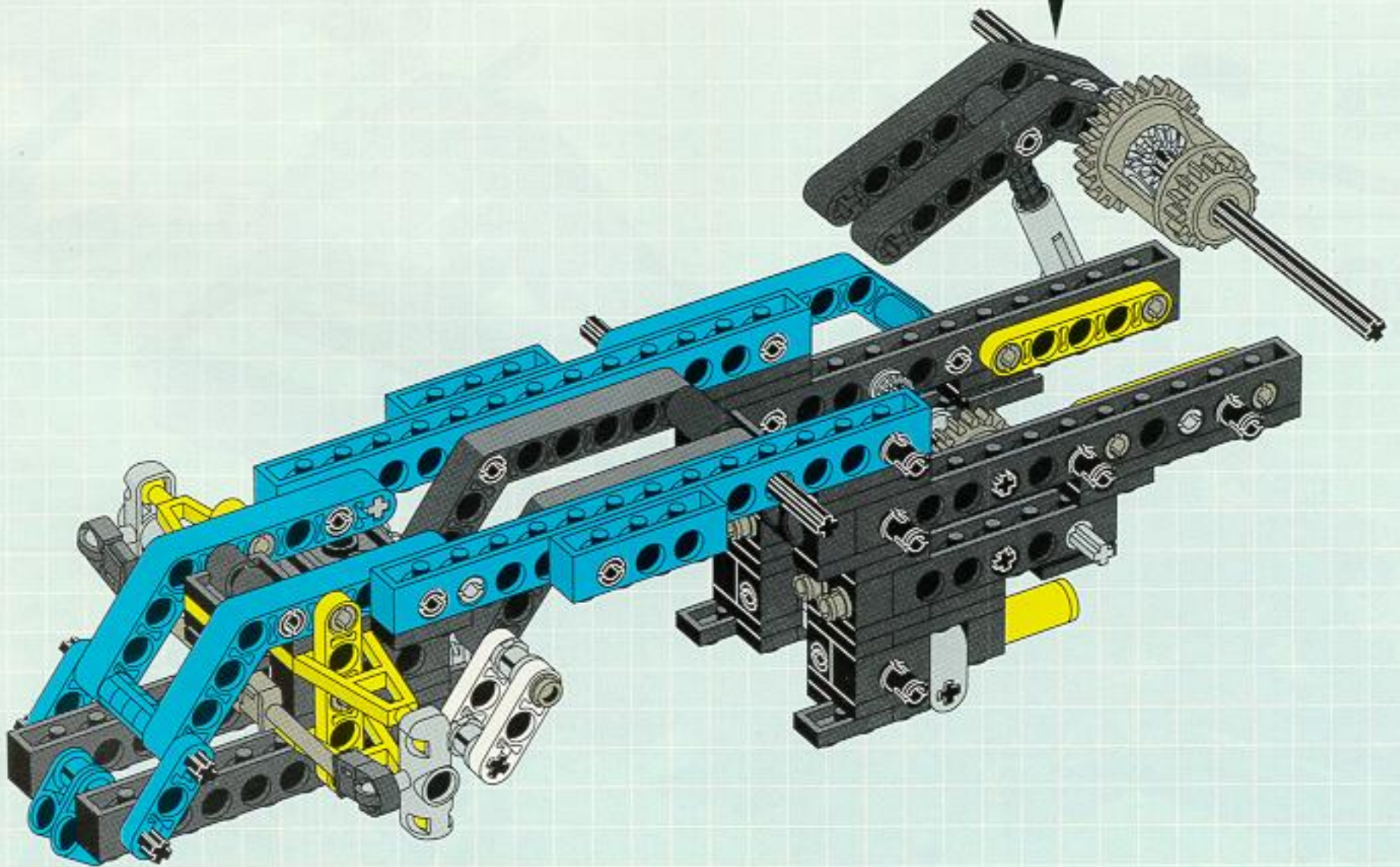
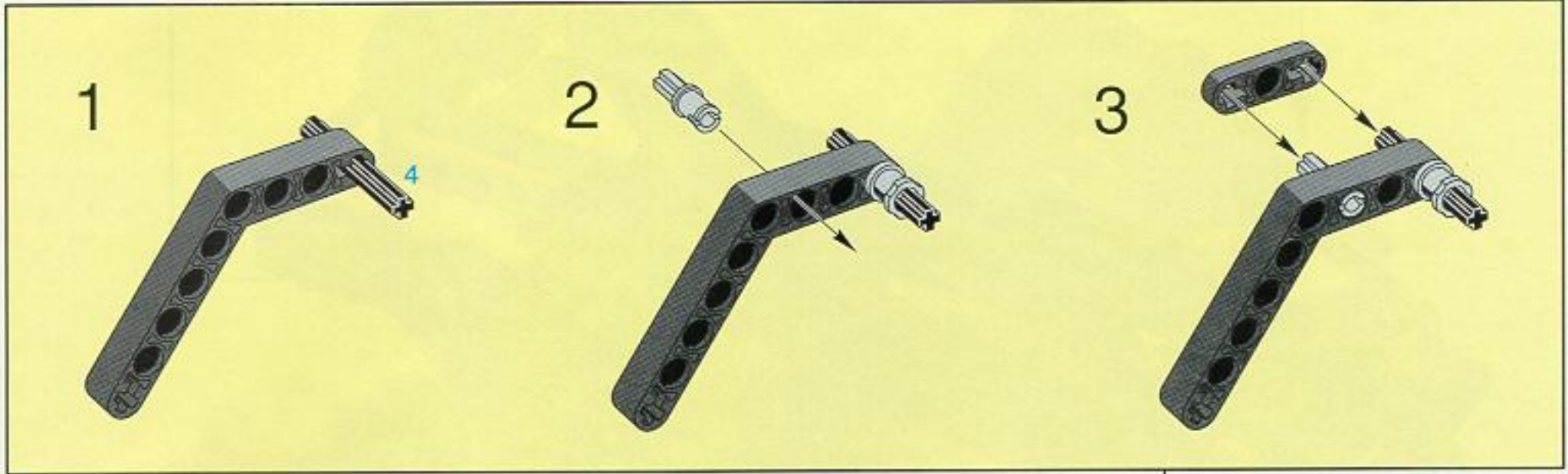


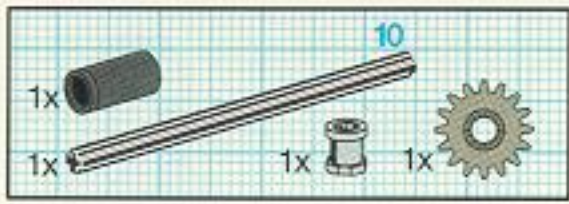
17



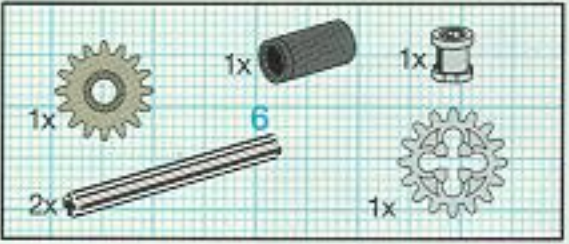
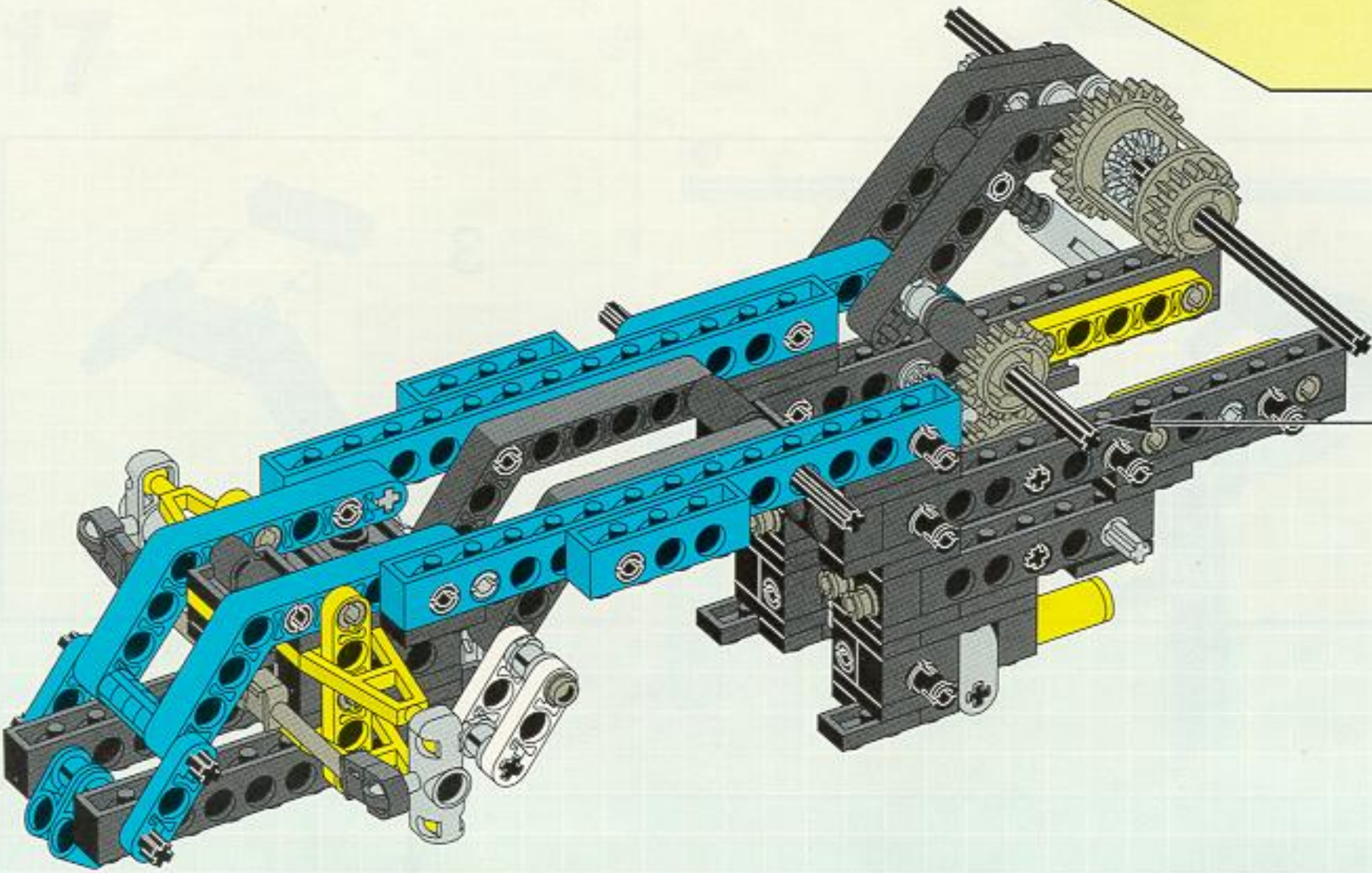
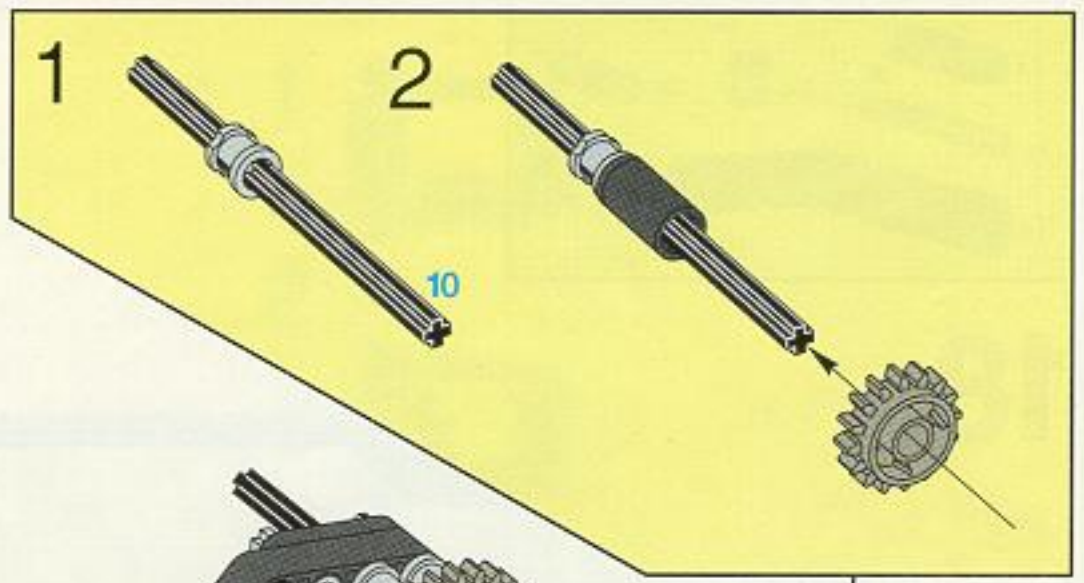


18

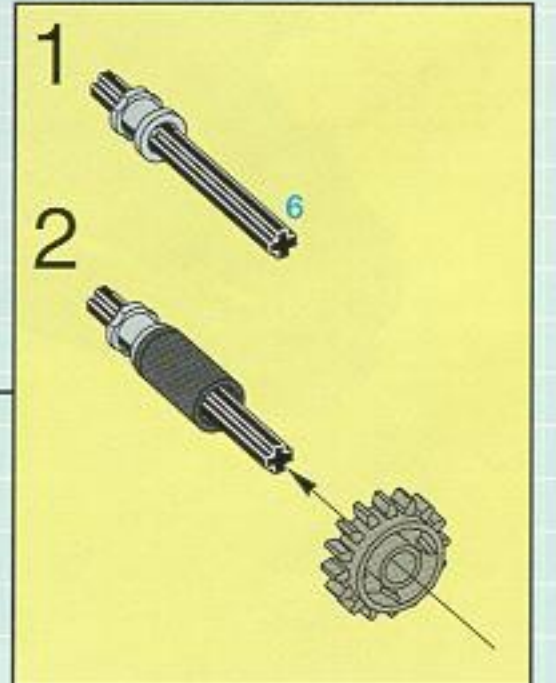
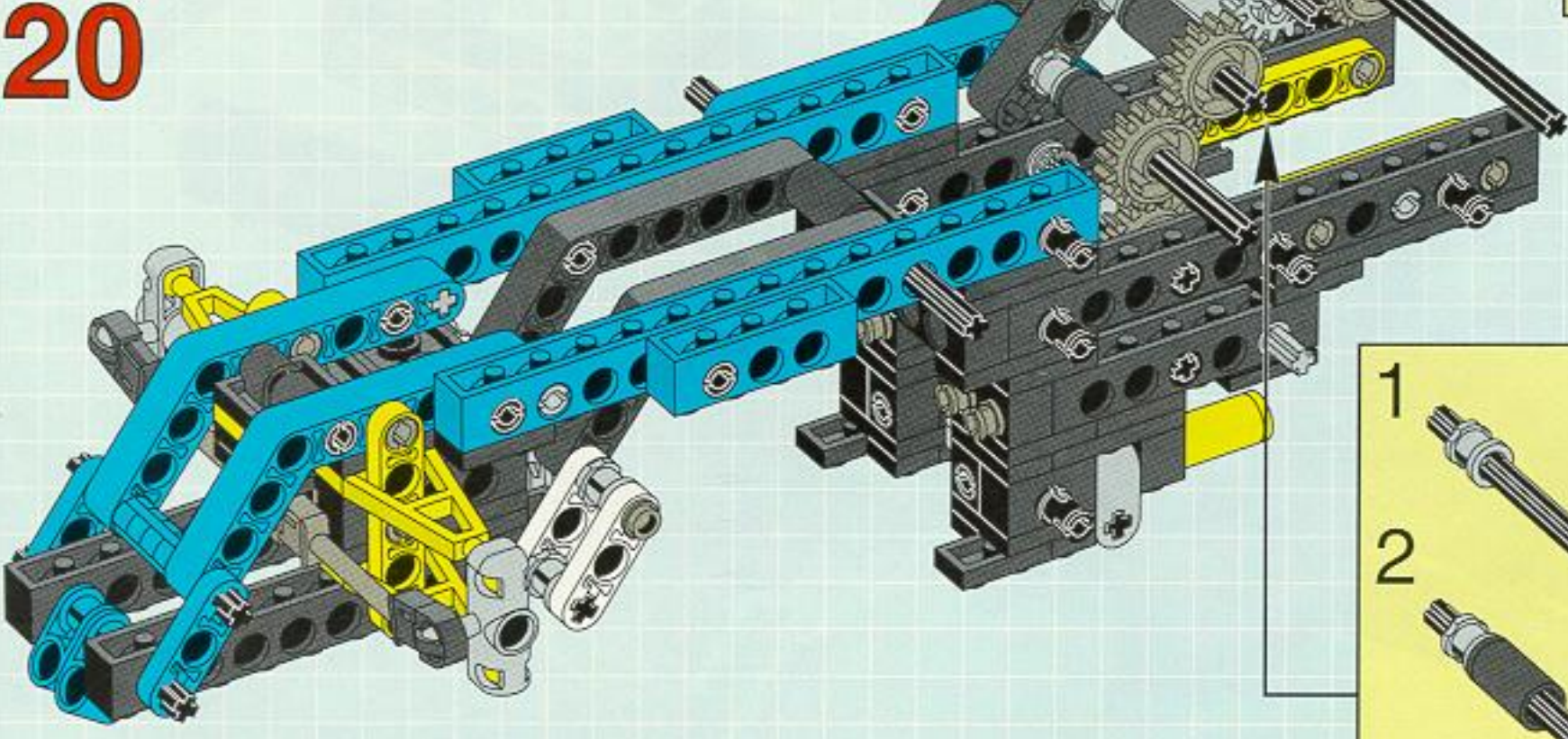




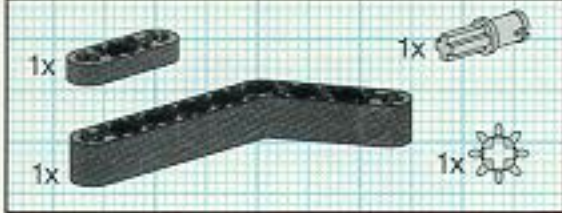
19



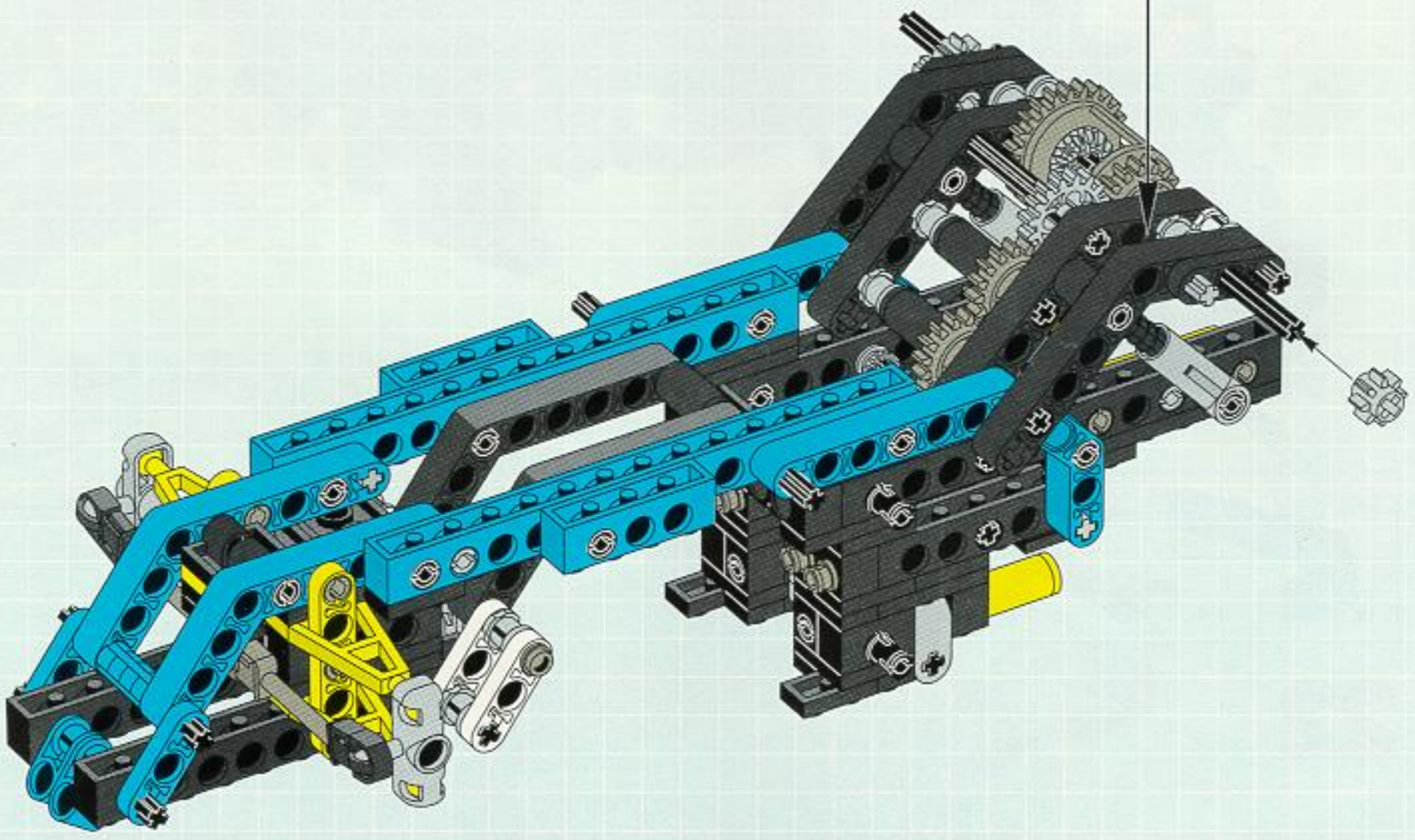
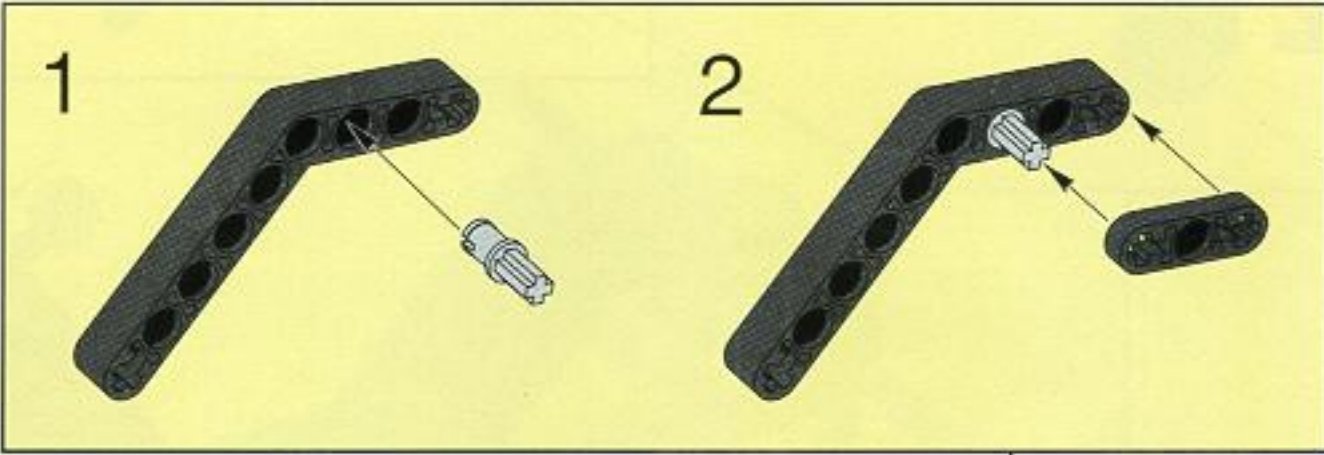
20



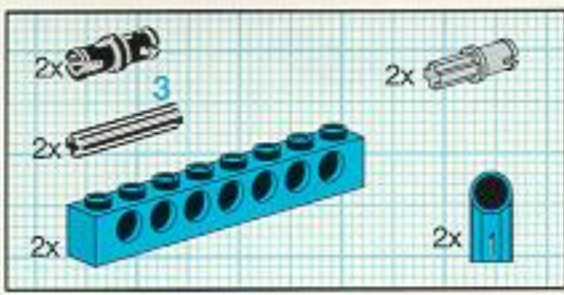




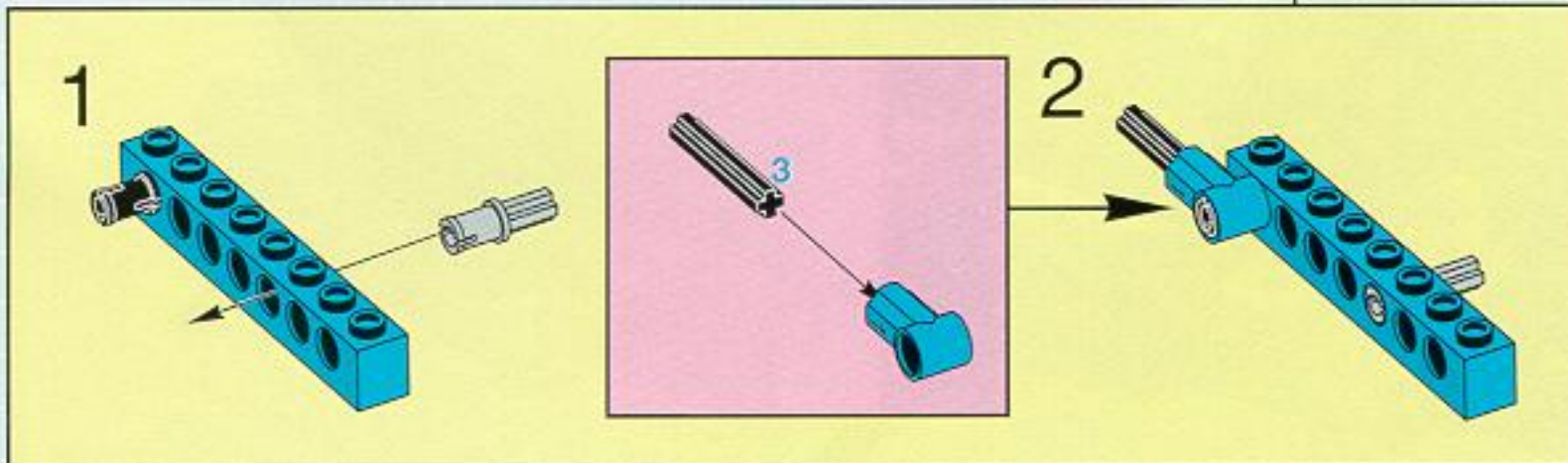
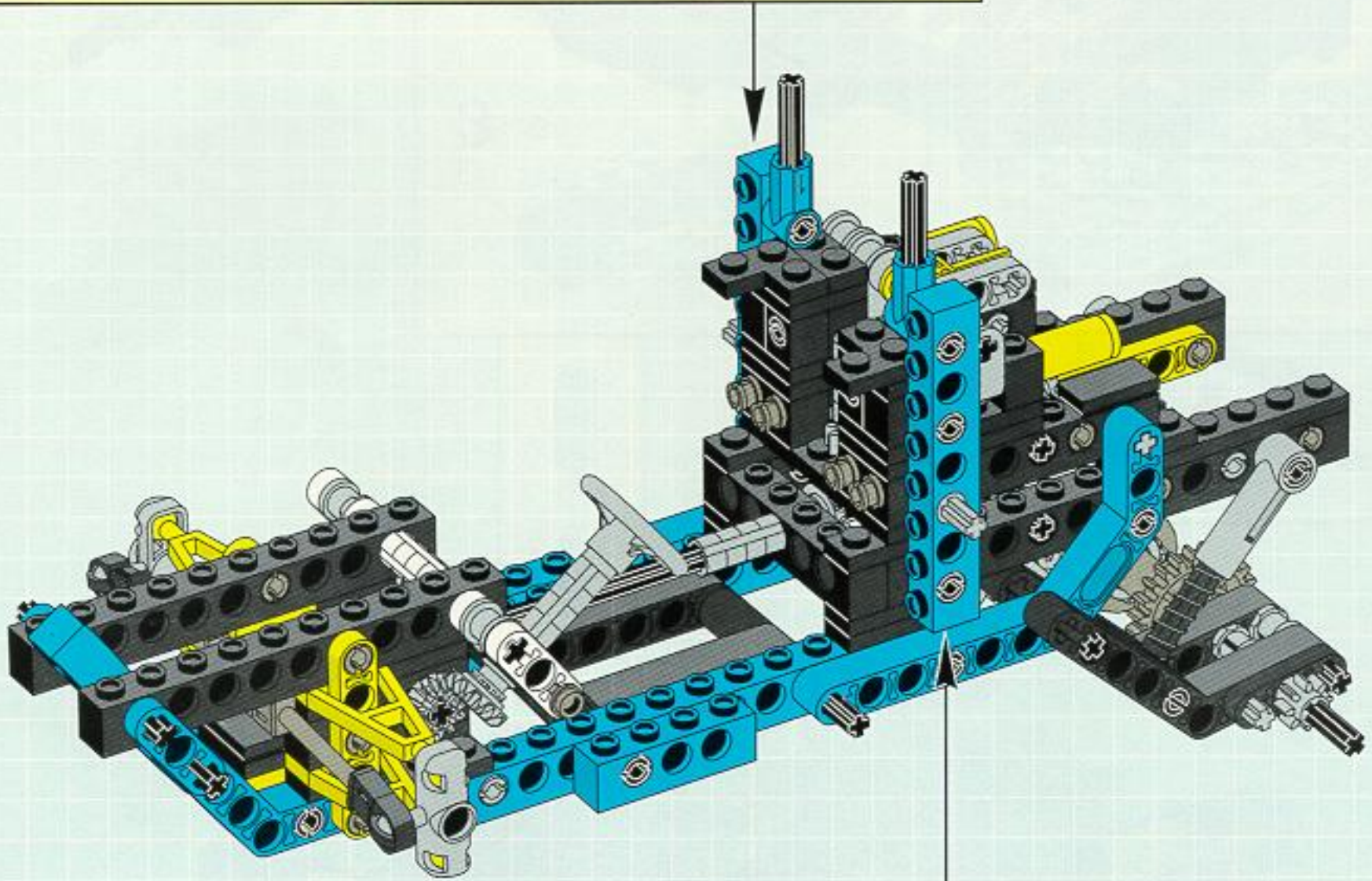
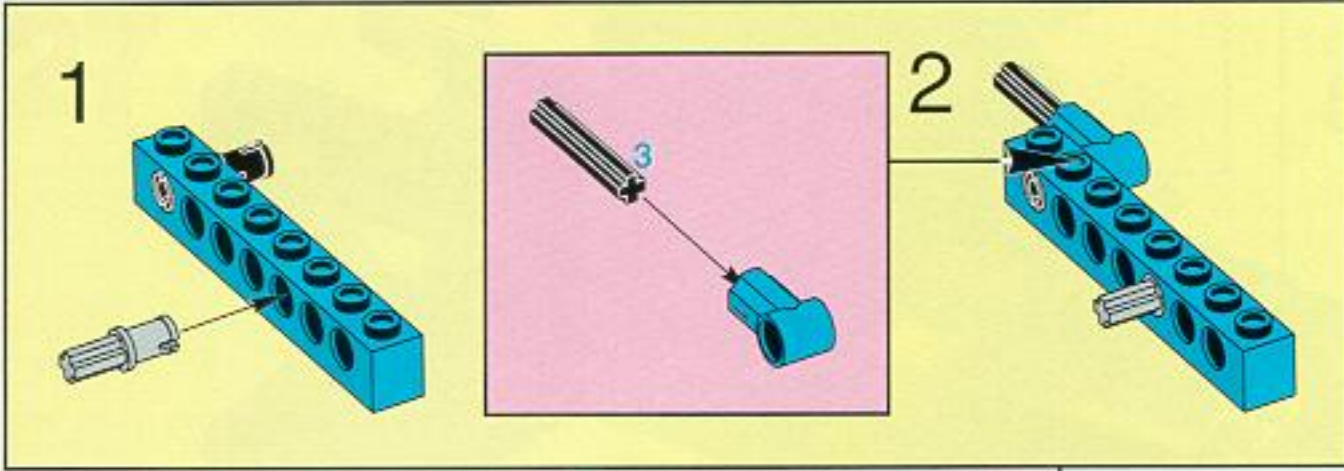
# 23

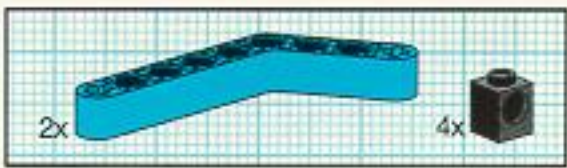




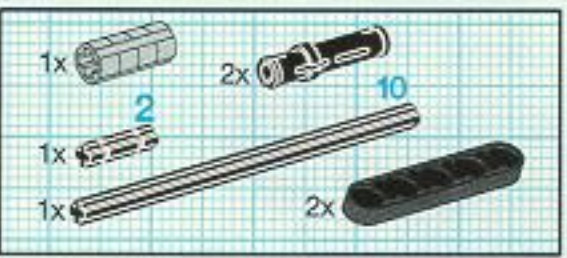
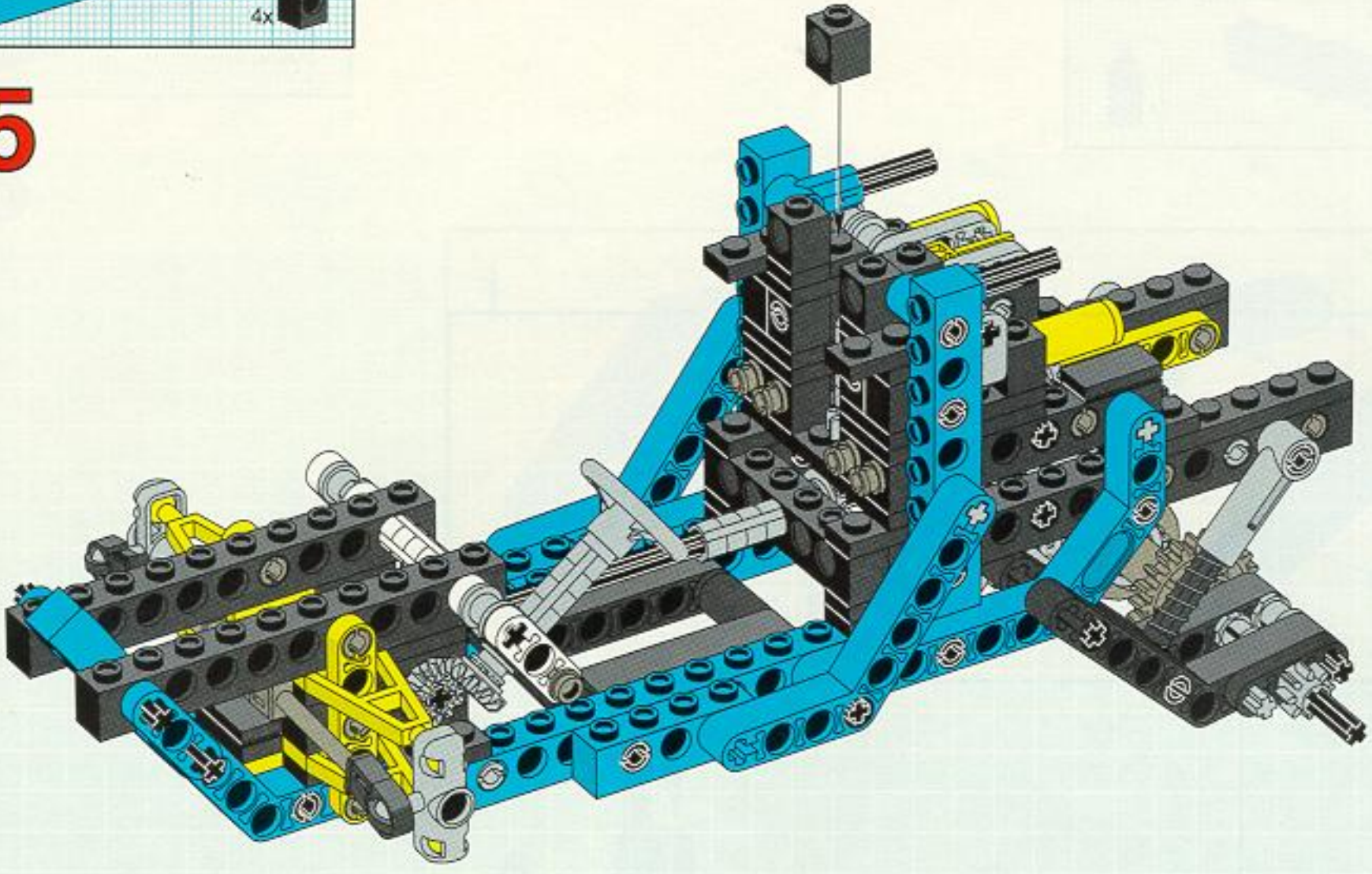


# 24

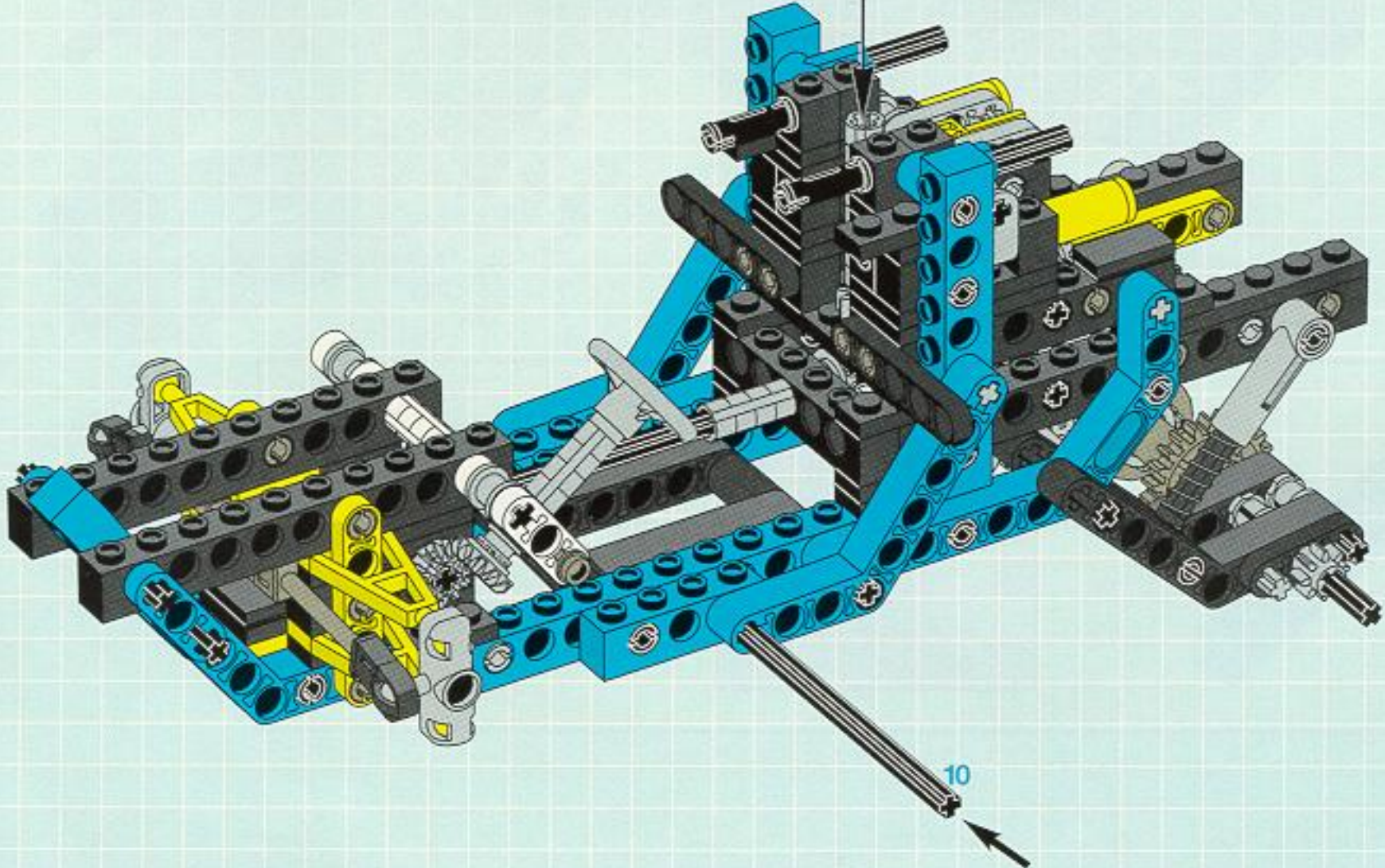
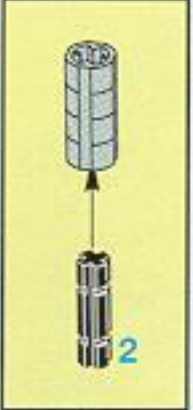


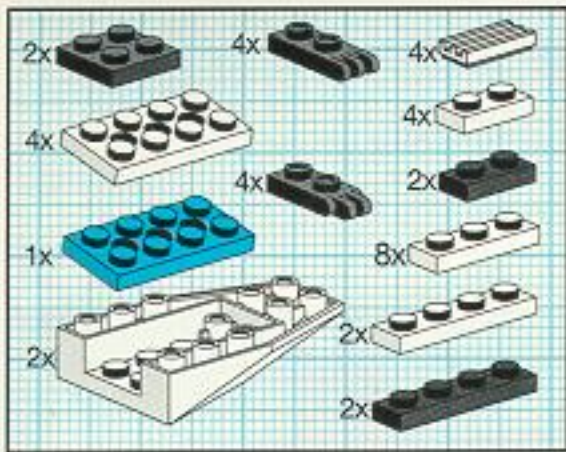


25

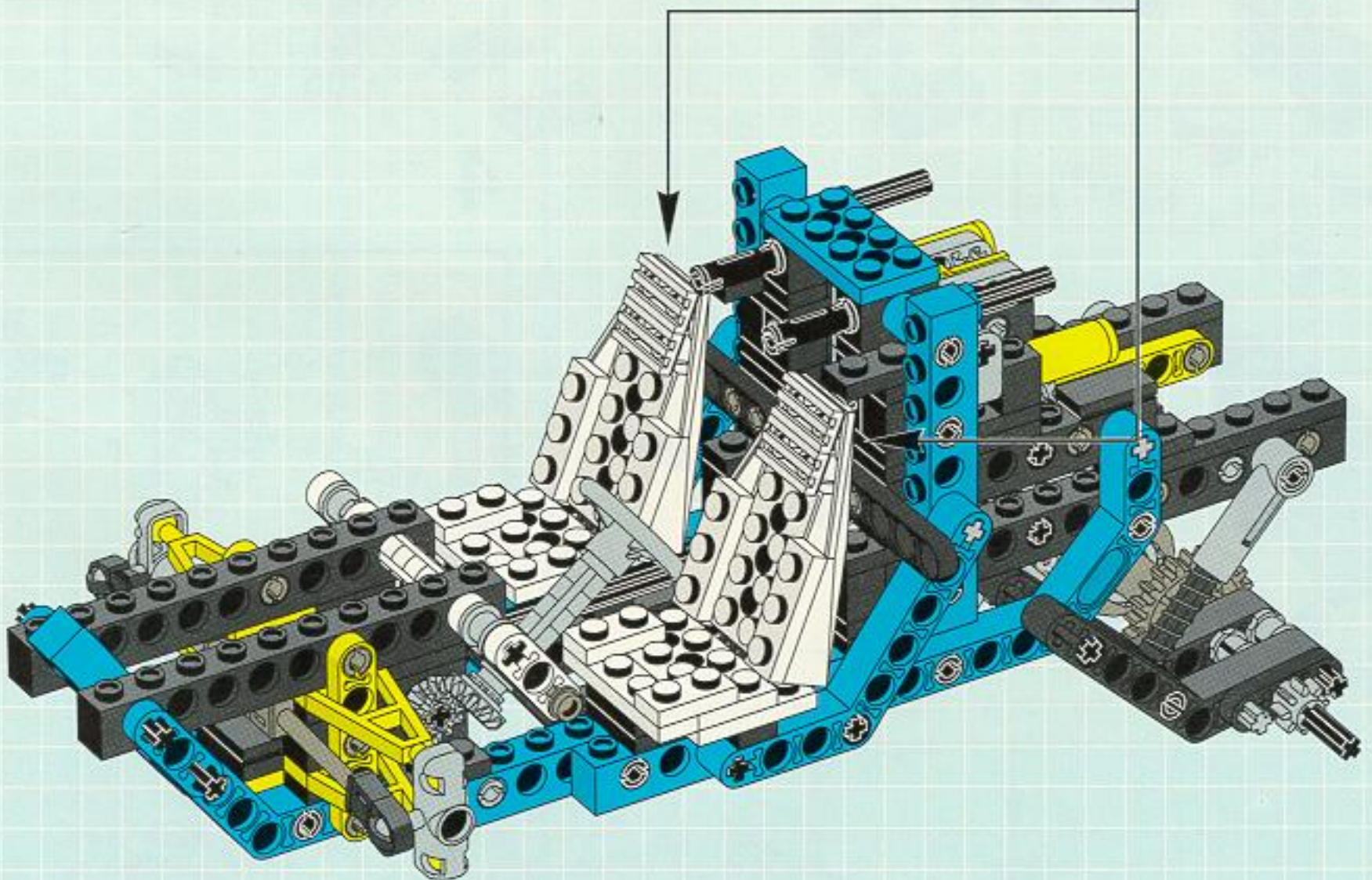
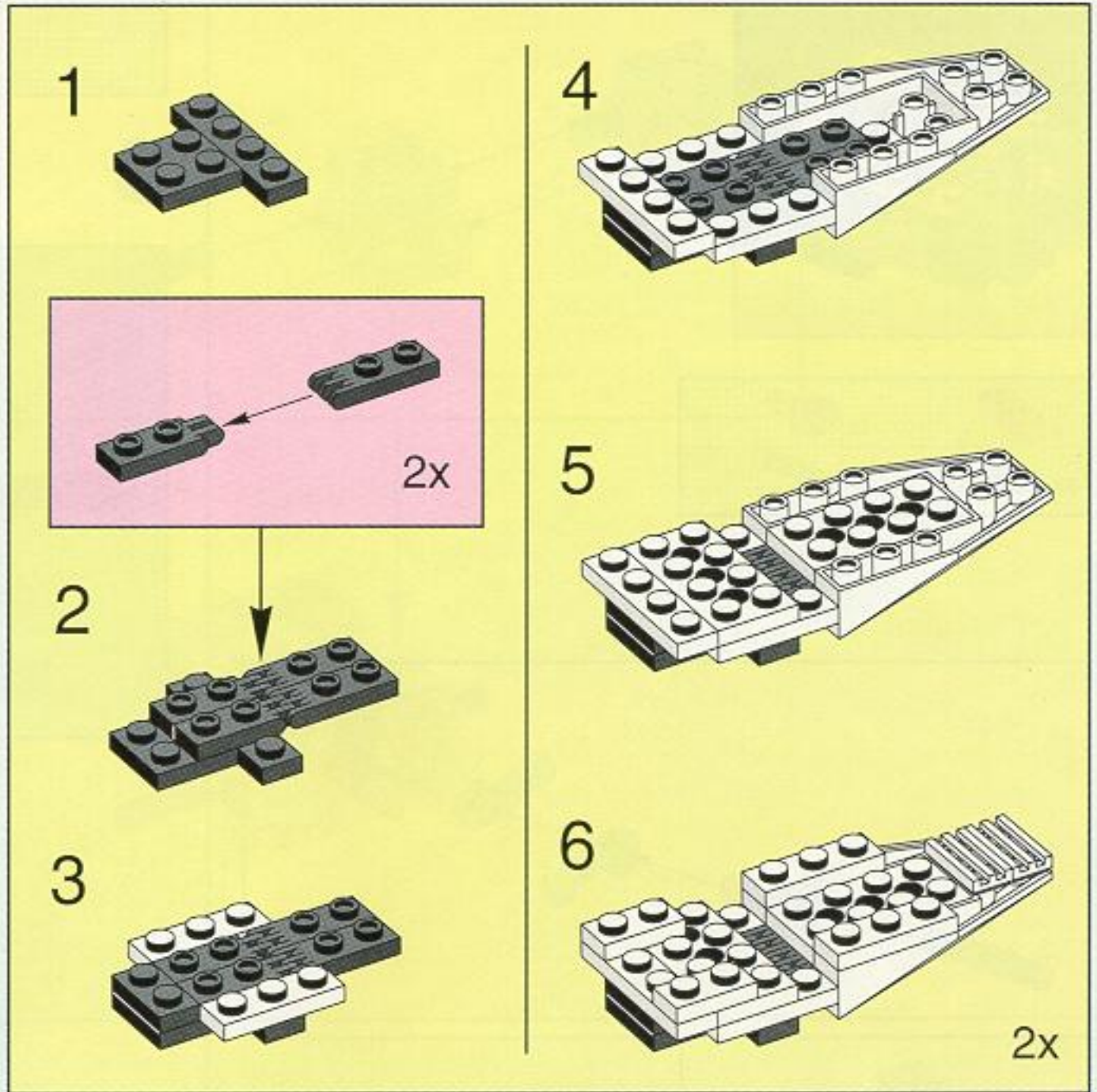


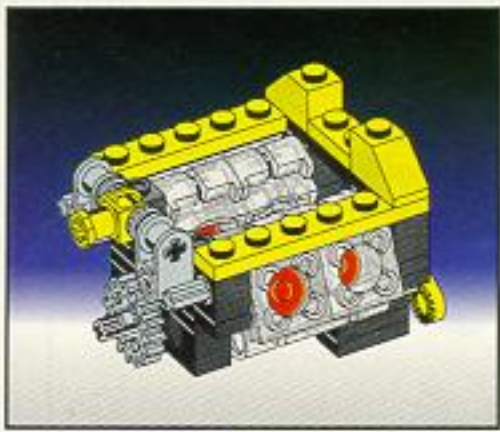
26



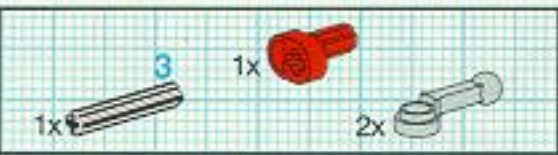
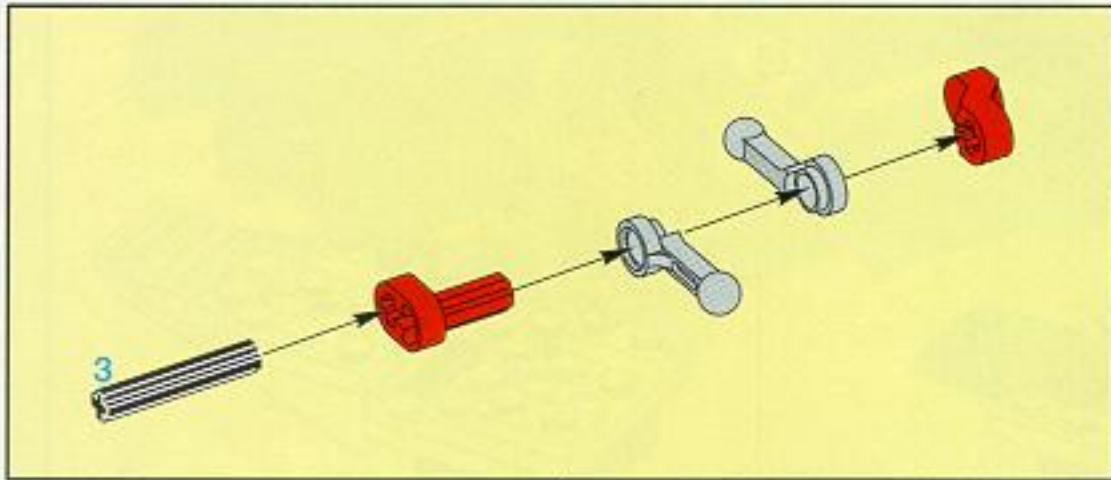


**27**

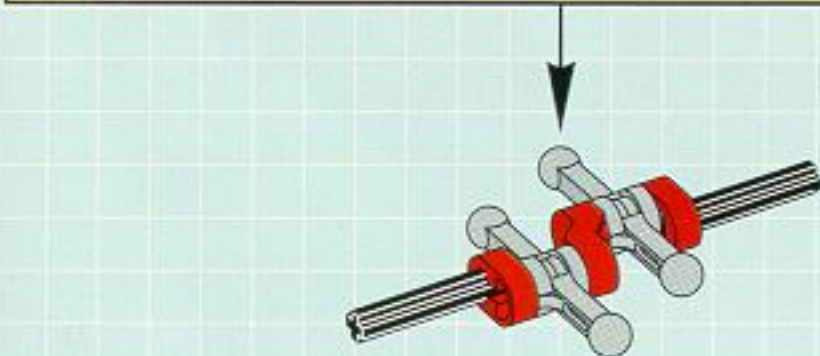
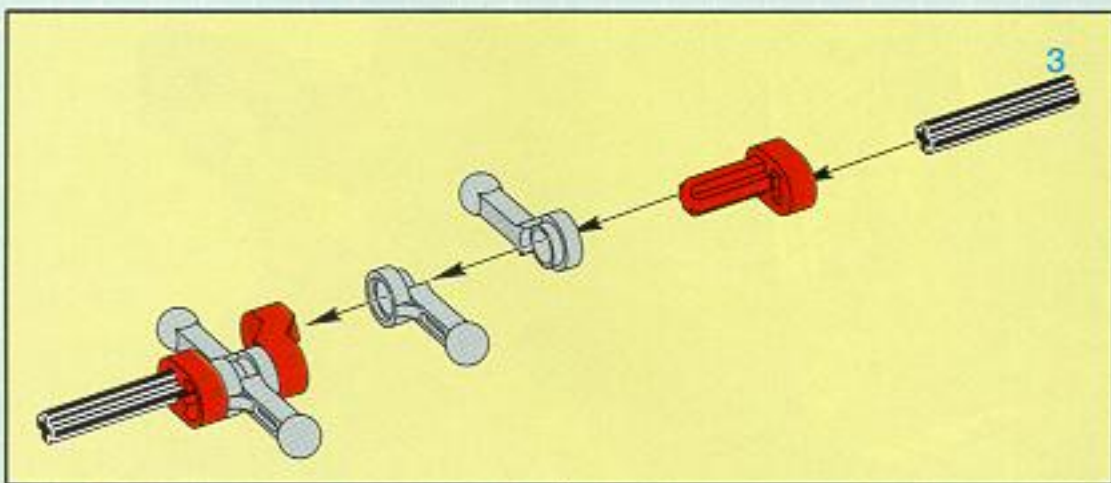




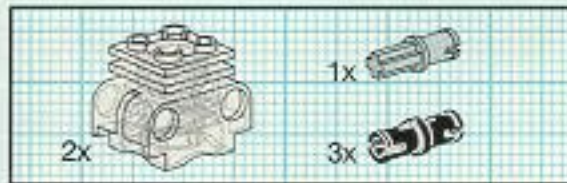
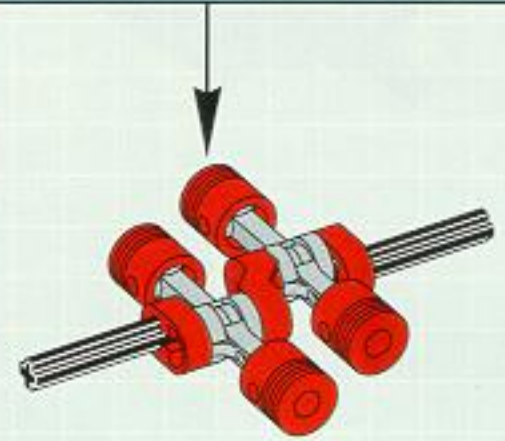
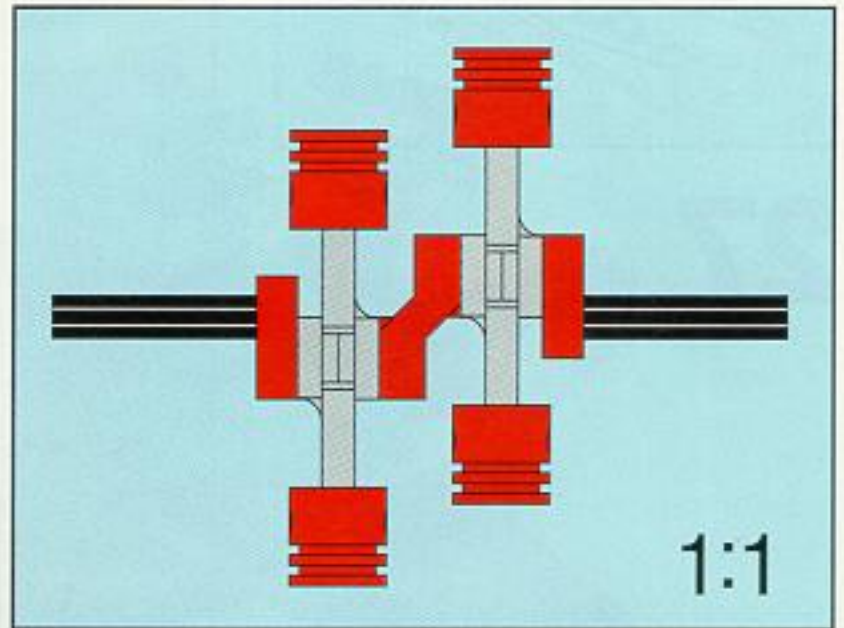
1



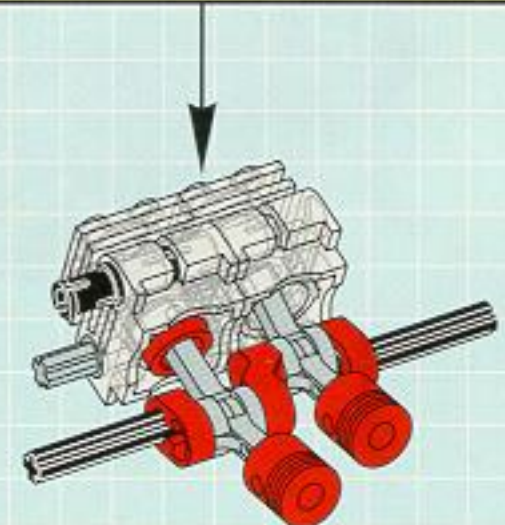
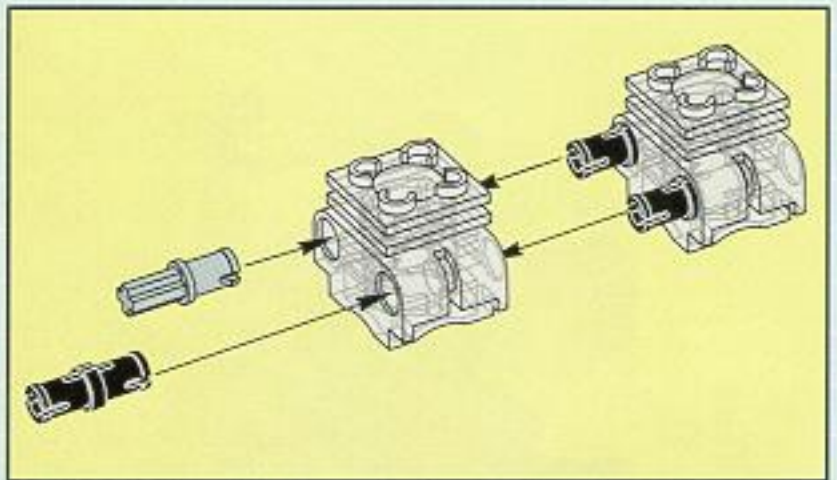
2

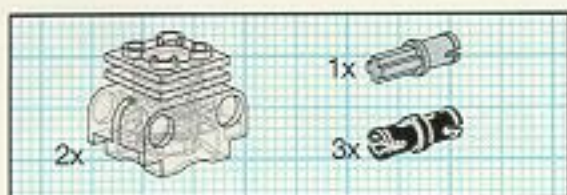


3

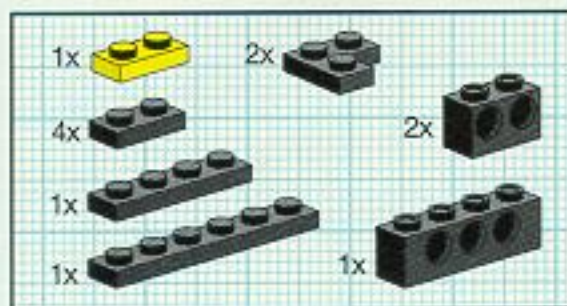
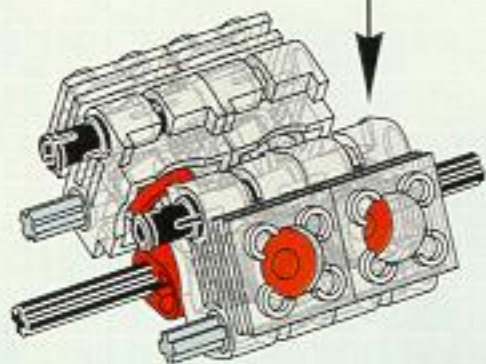
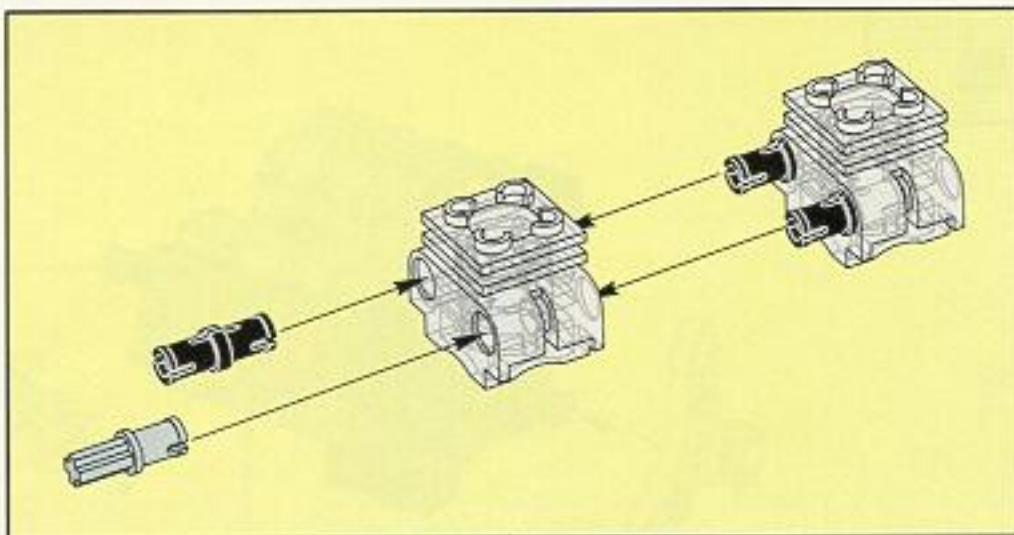


4

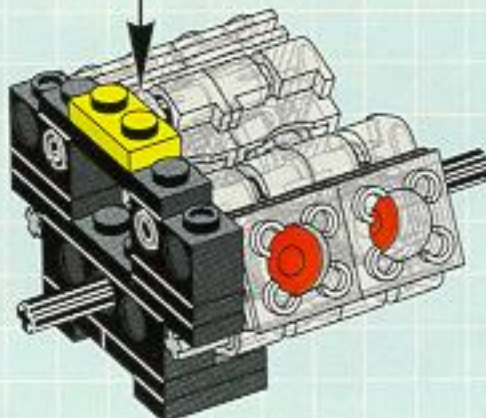
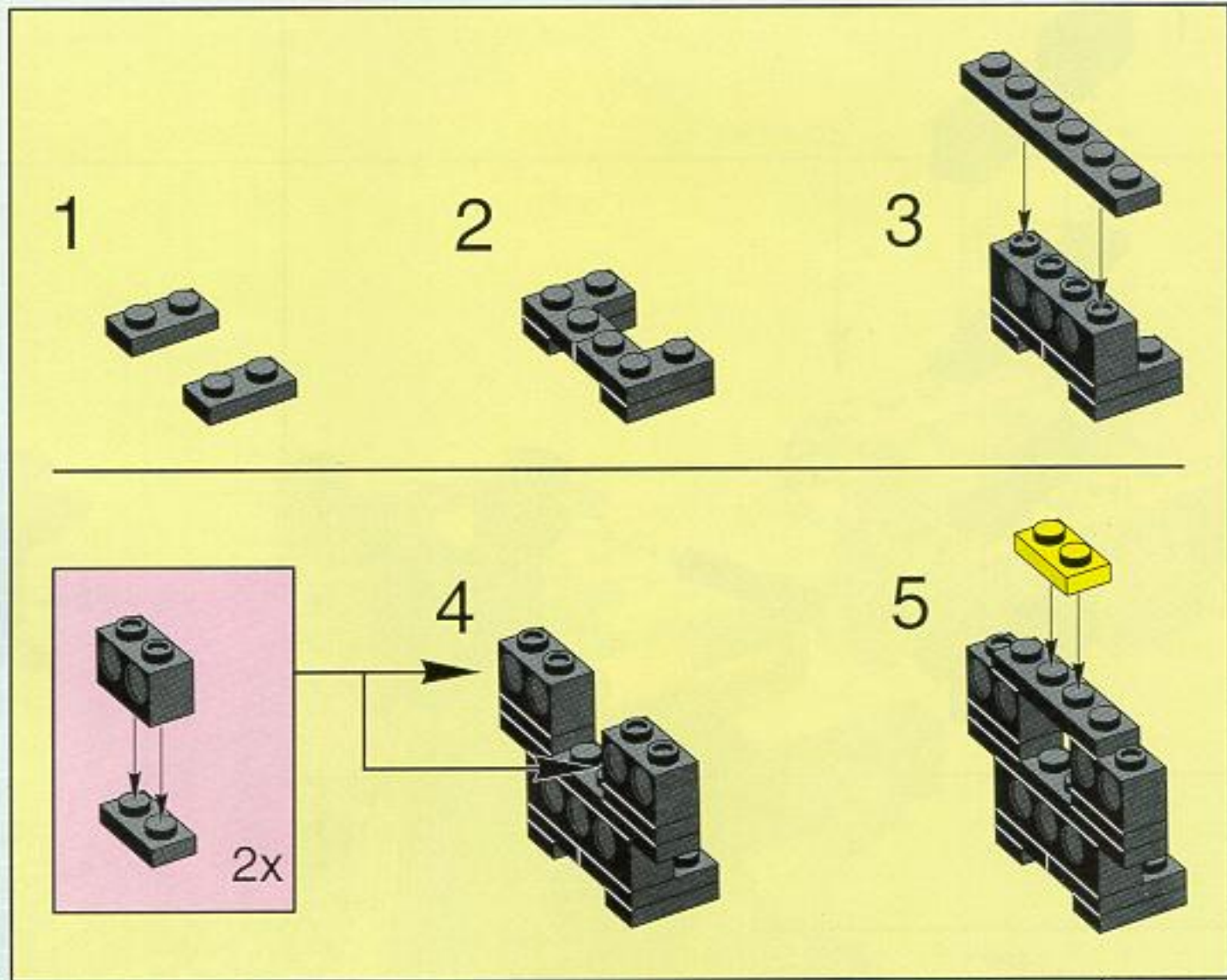




5

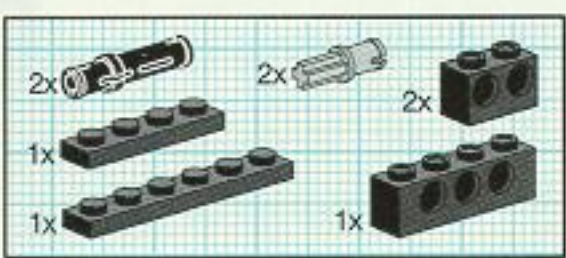
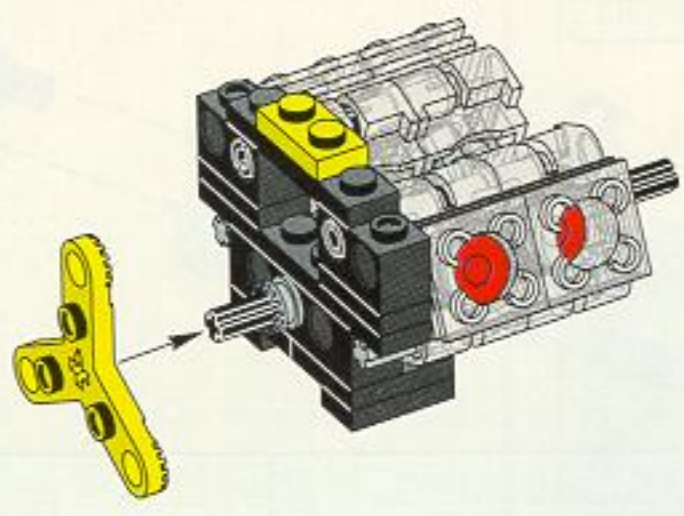


6

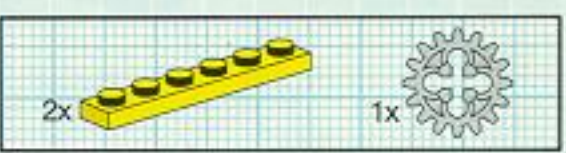
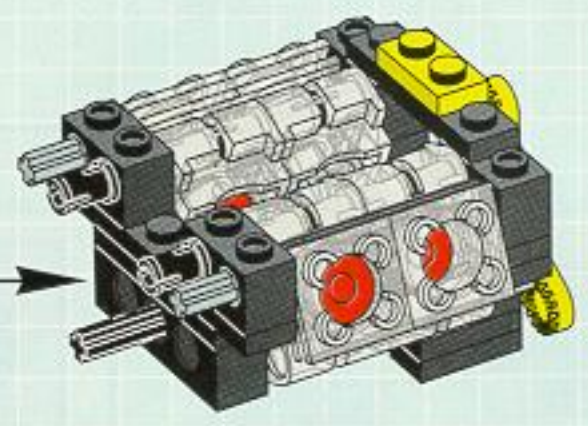
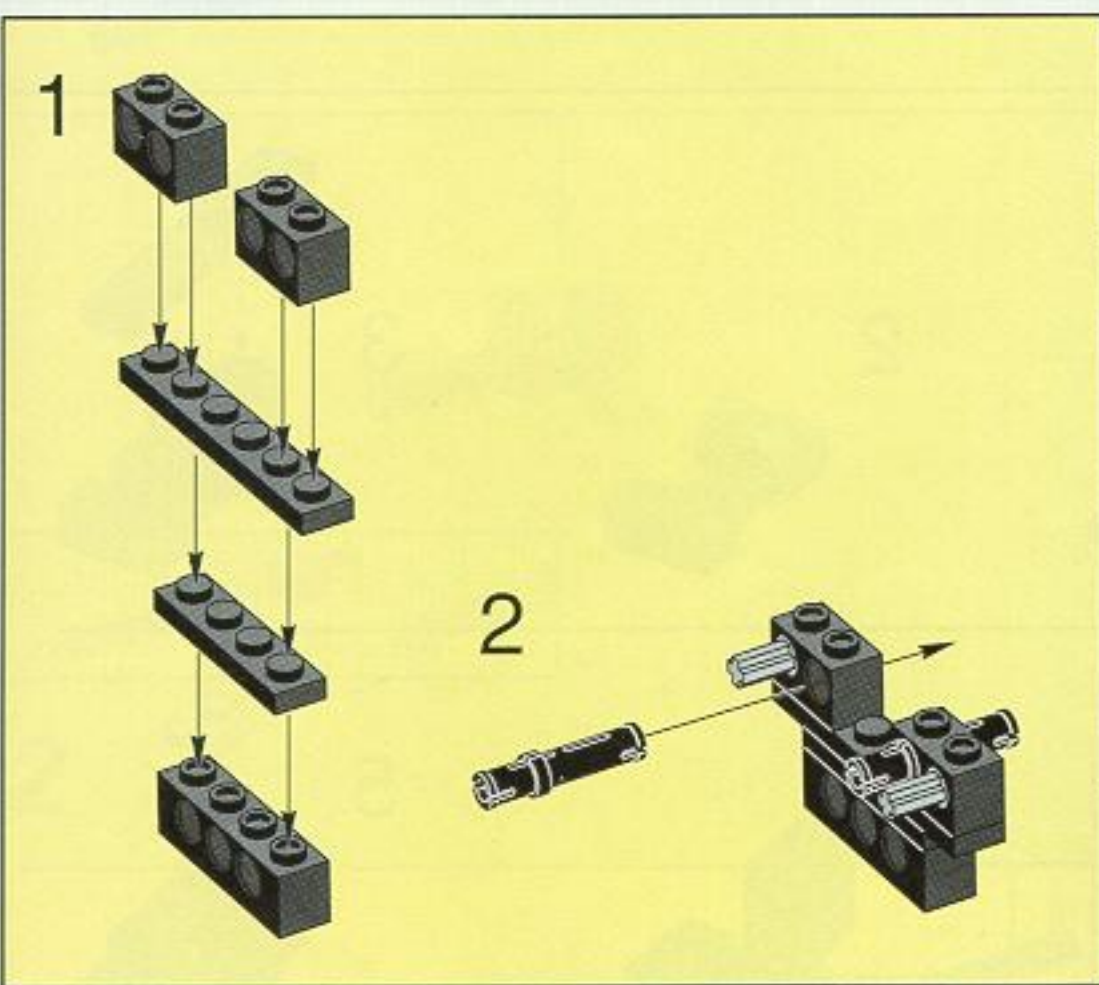




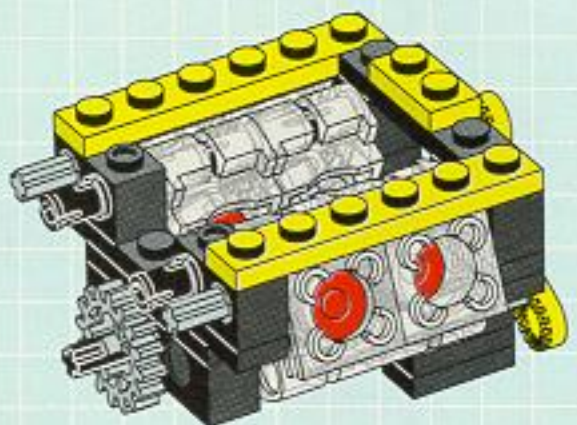
7

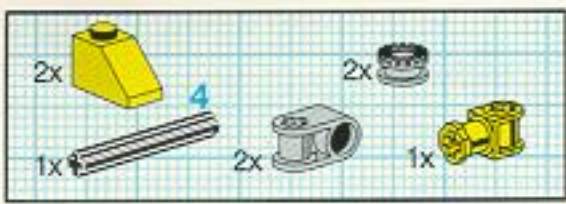


8

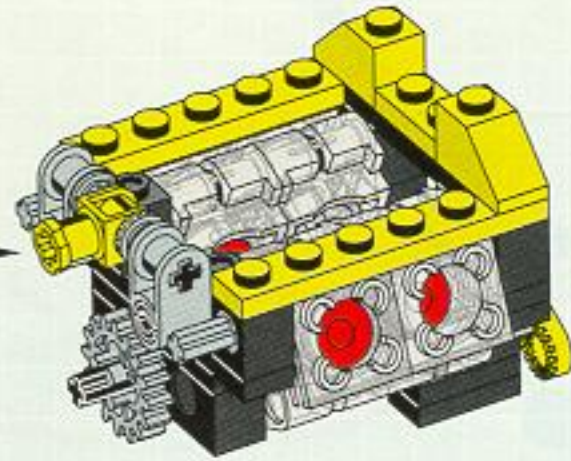
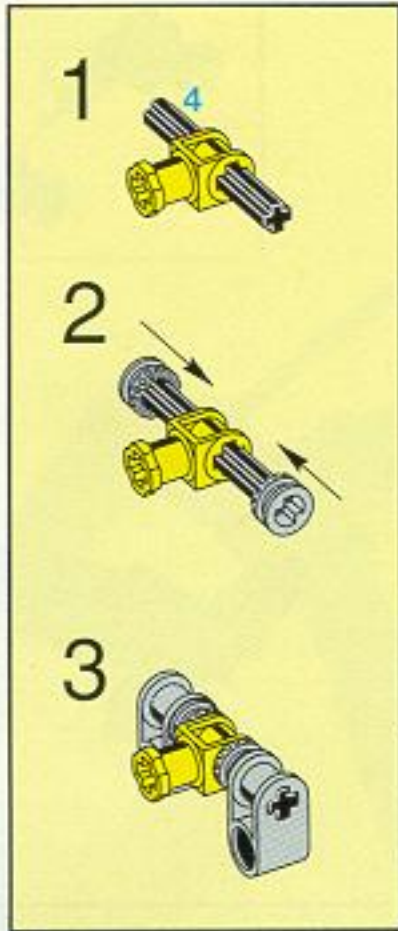


9

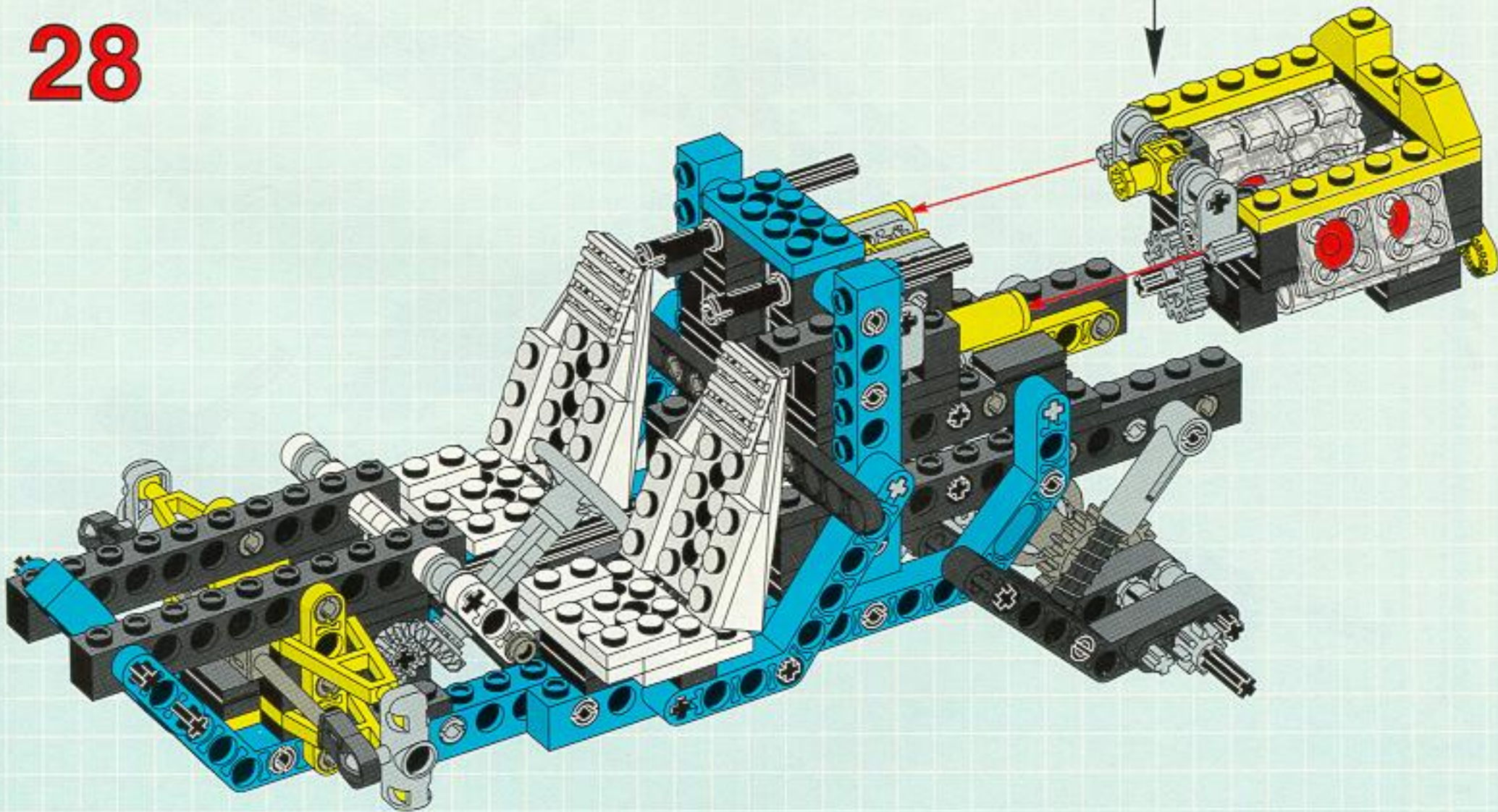


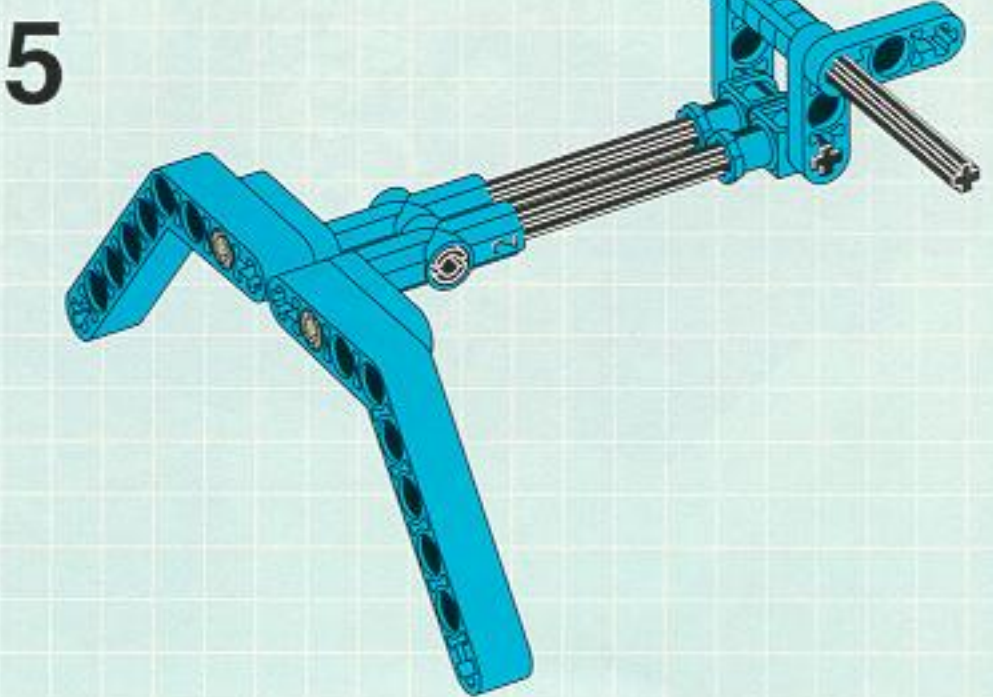
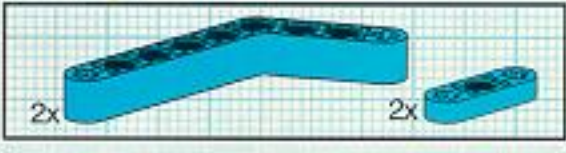
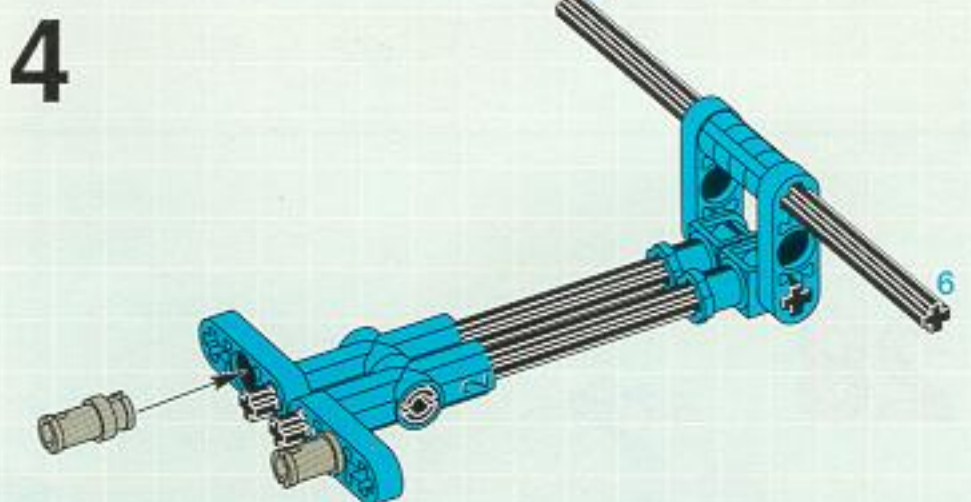
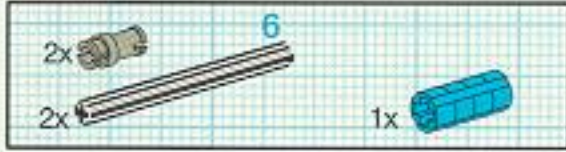
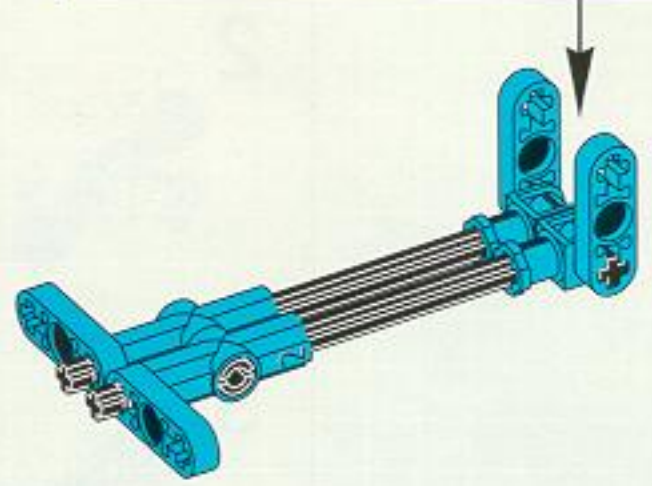
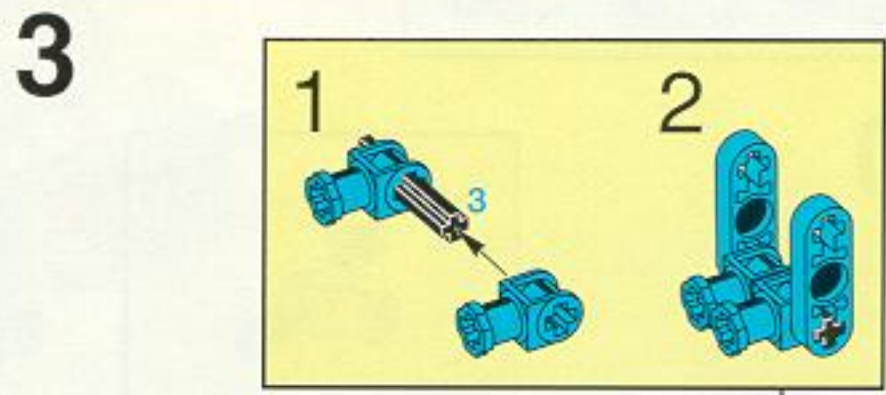
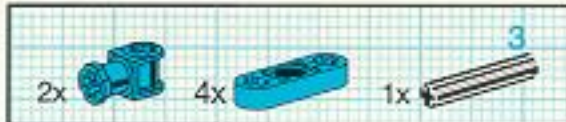
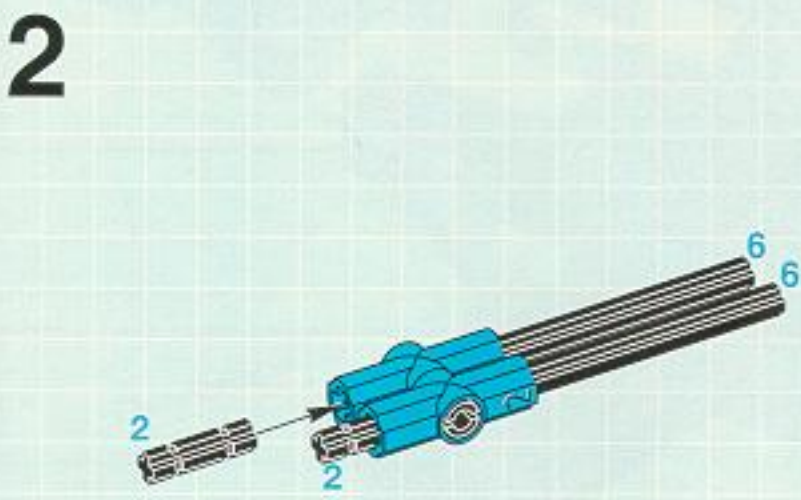
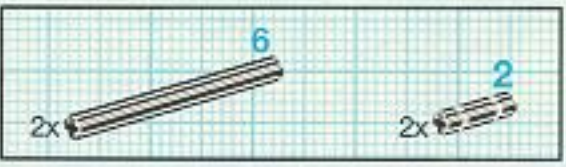
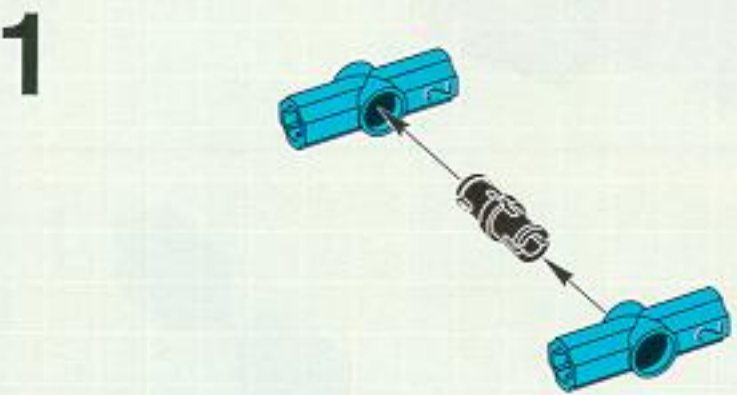
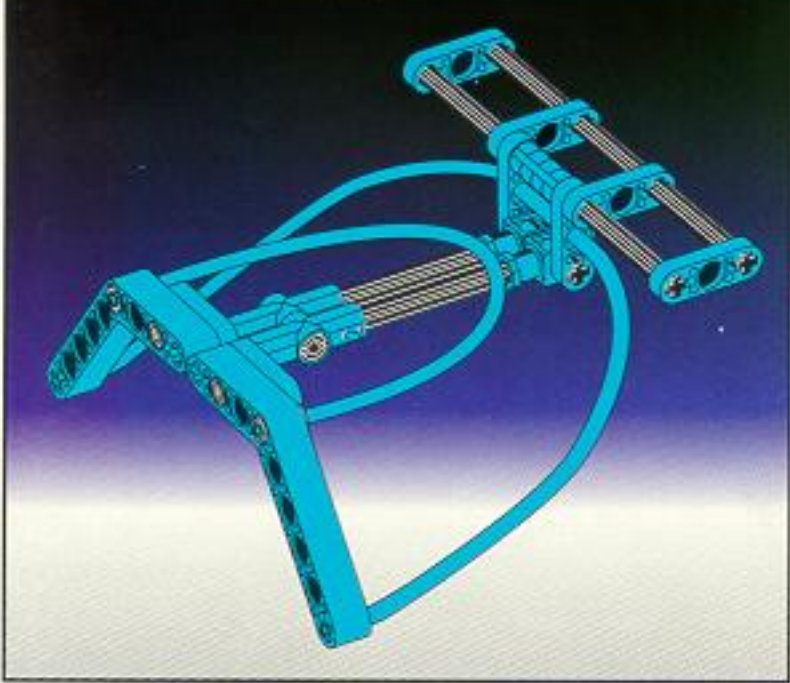


10

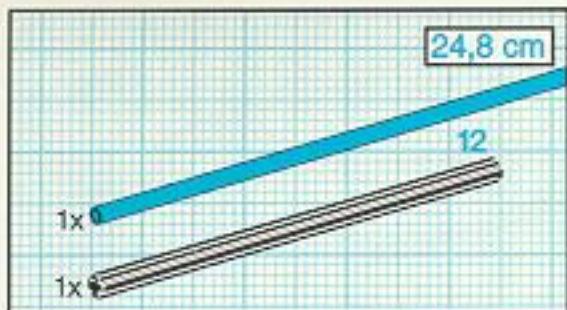


28

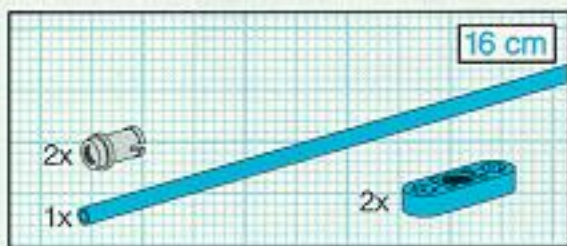
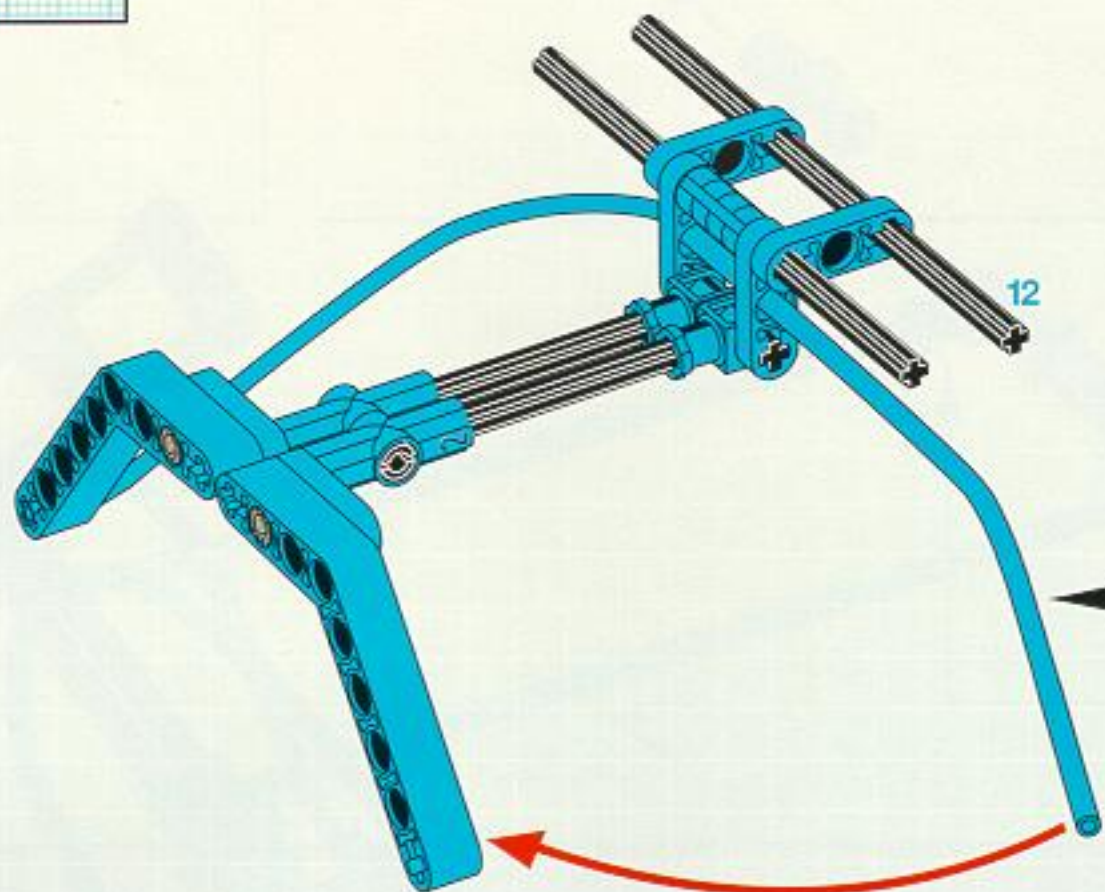




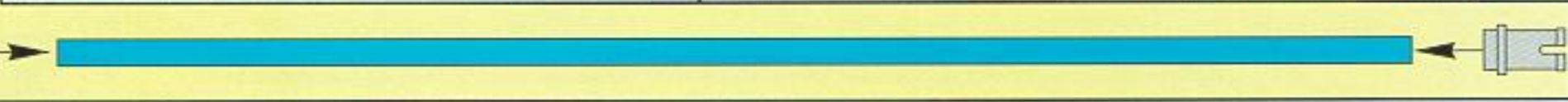
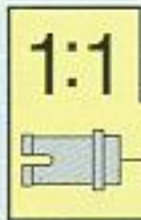
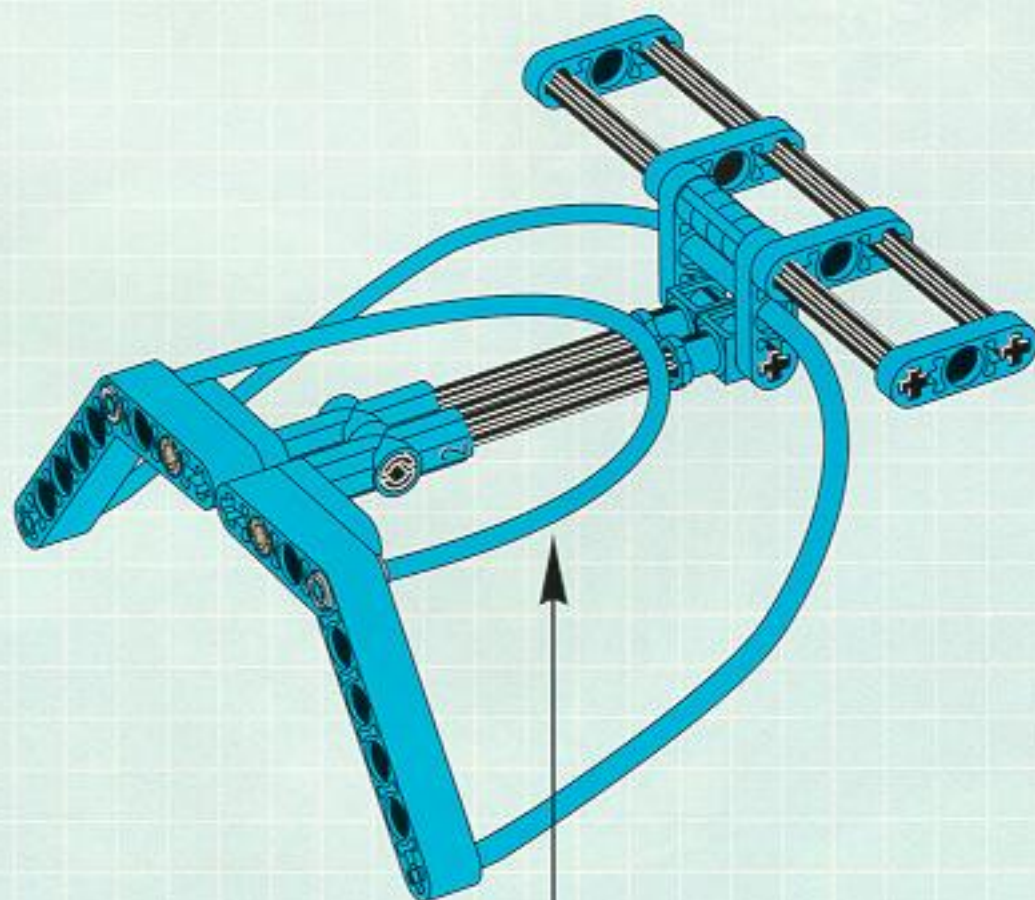




6

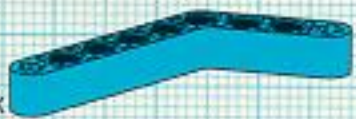


7

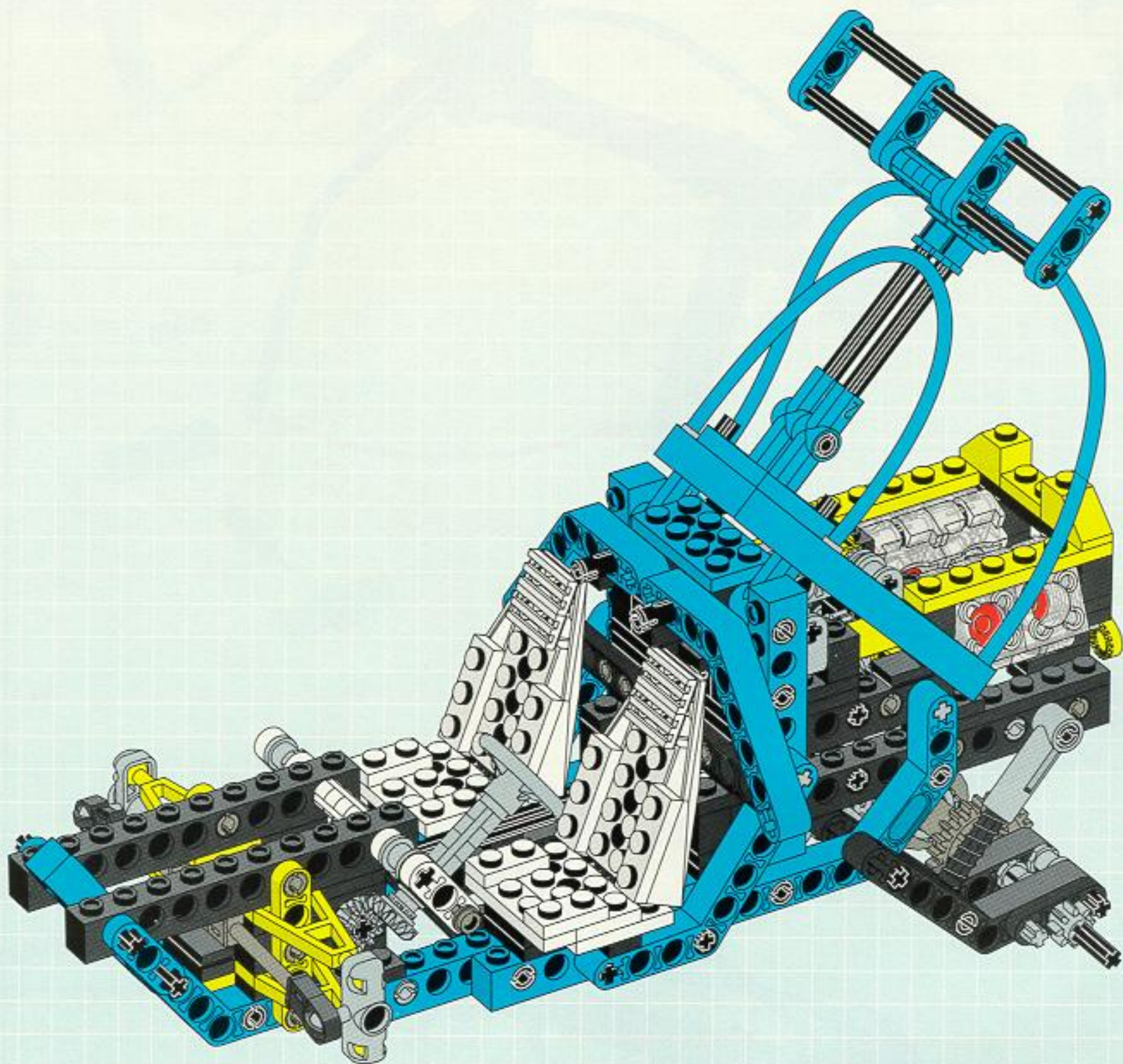


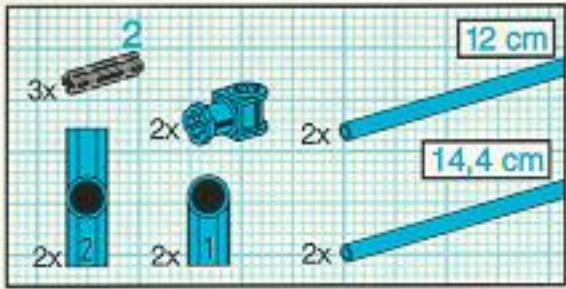
1:1

2x

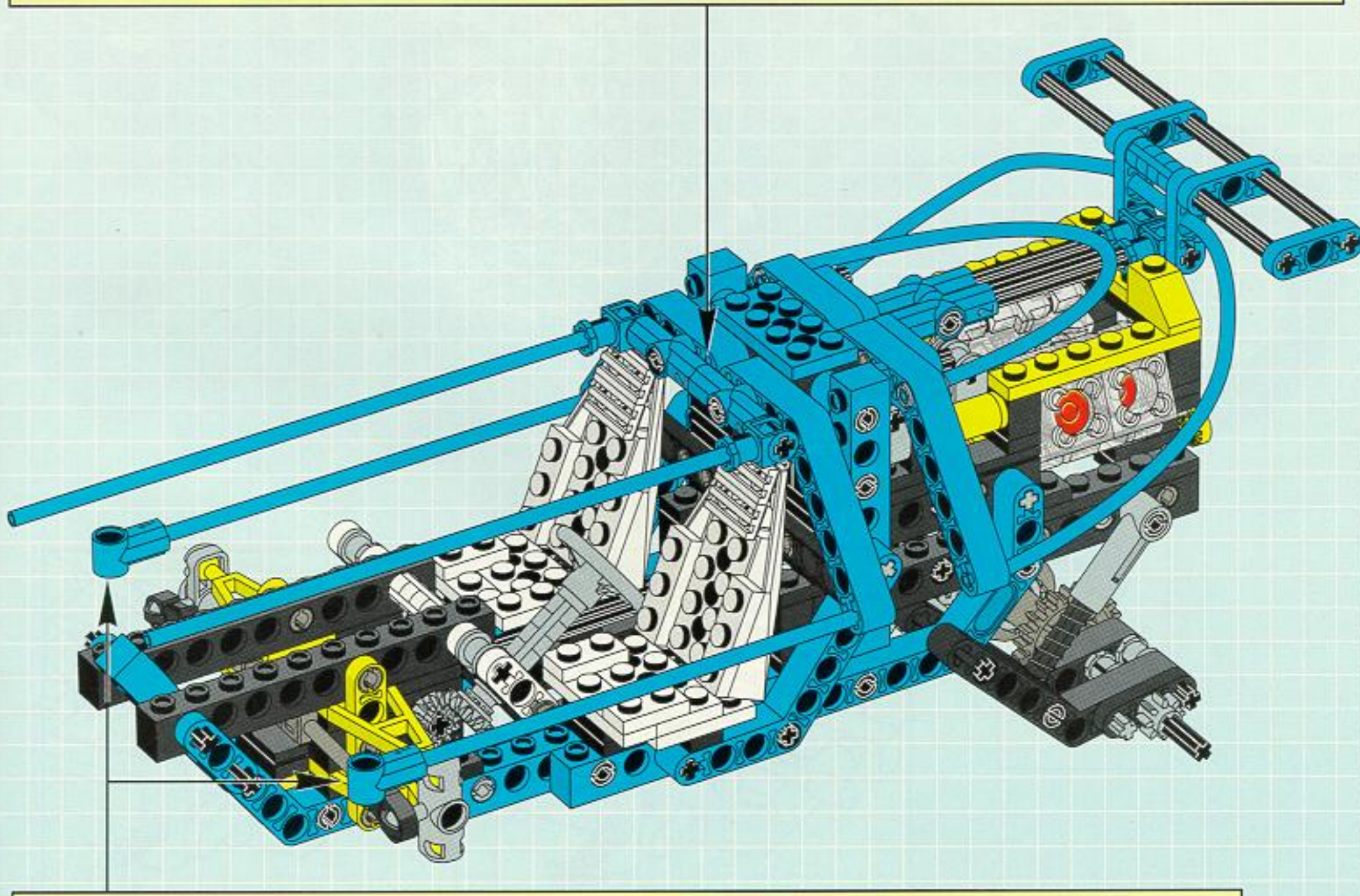
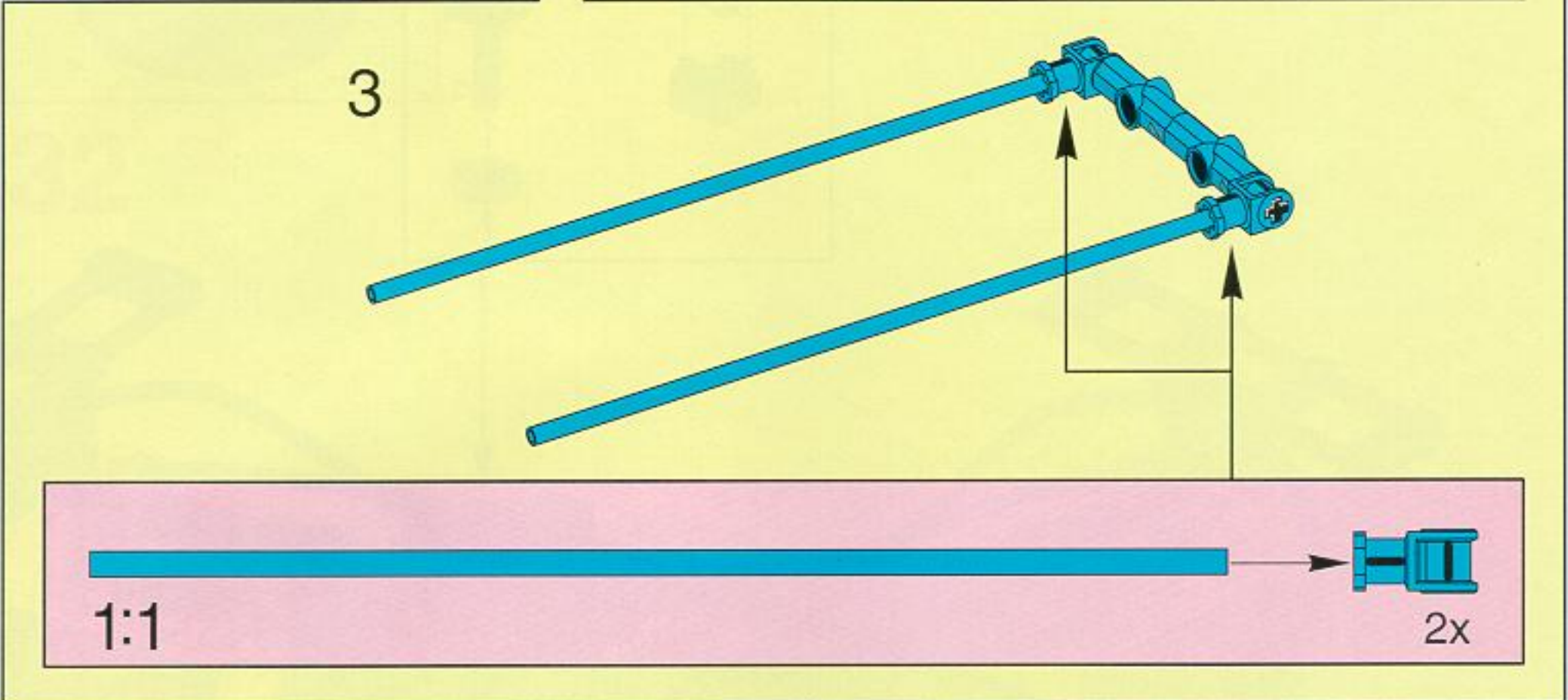
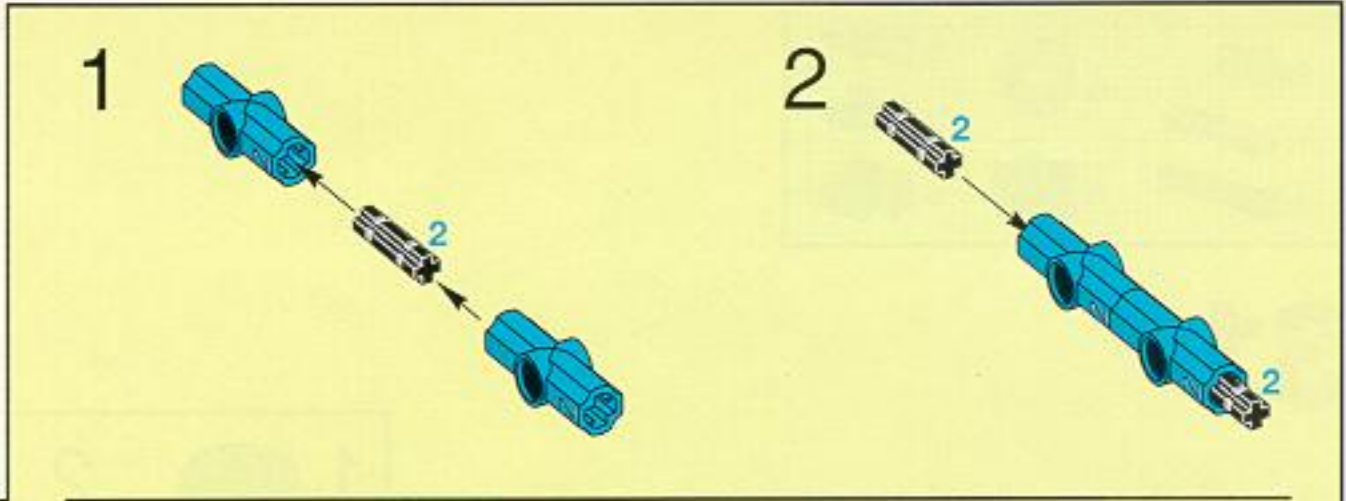


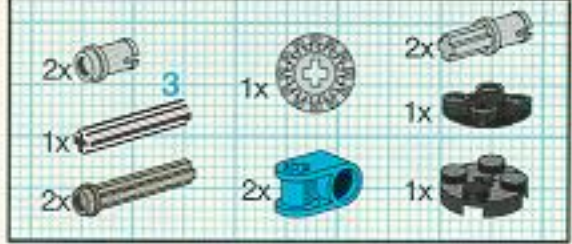
29



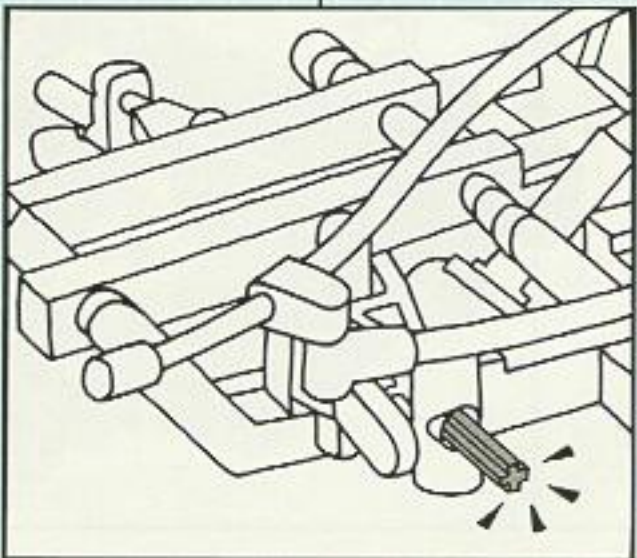
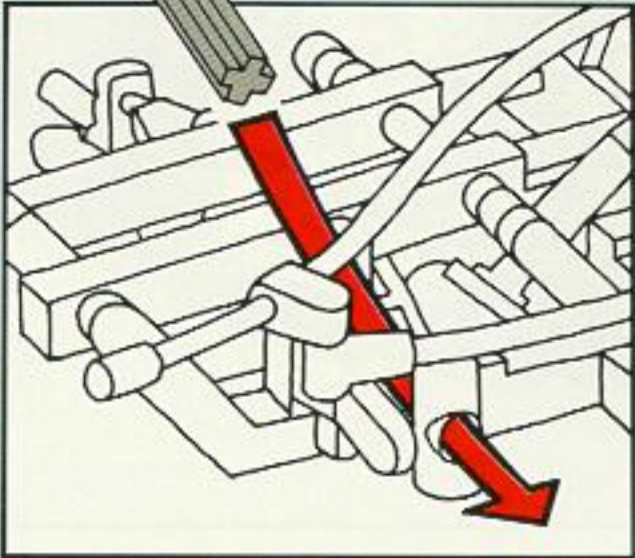
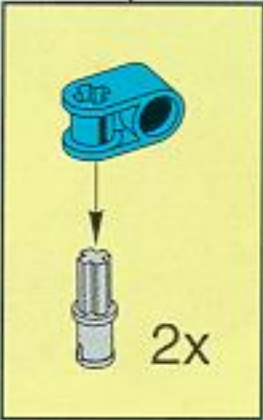
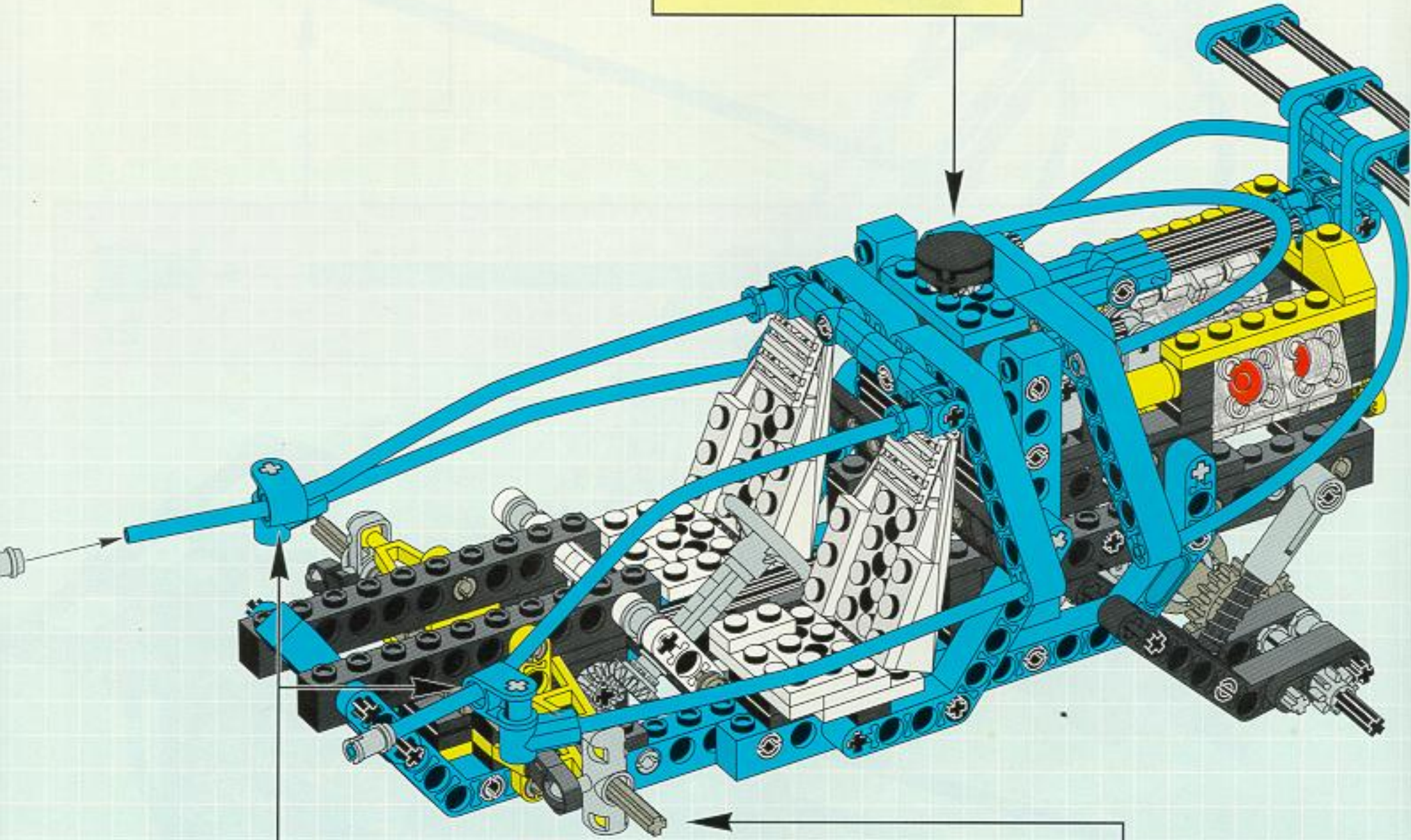
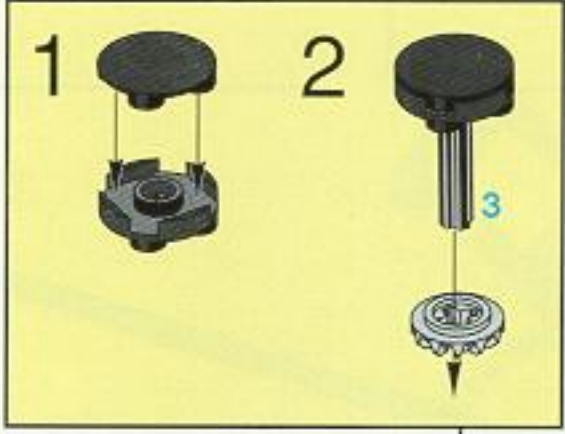


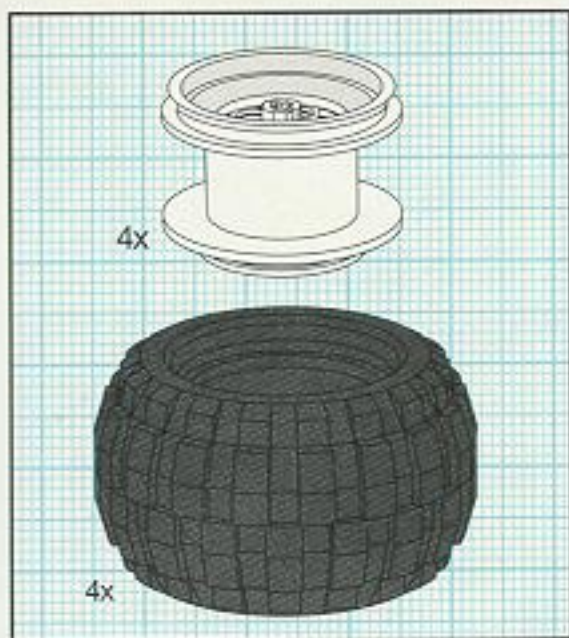
30



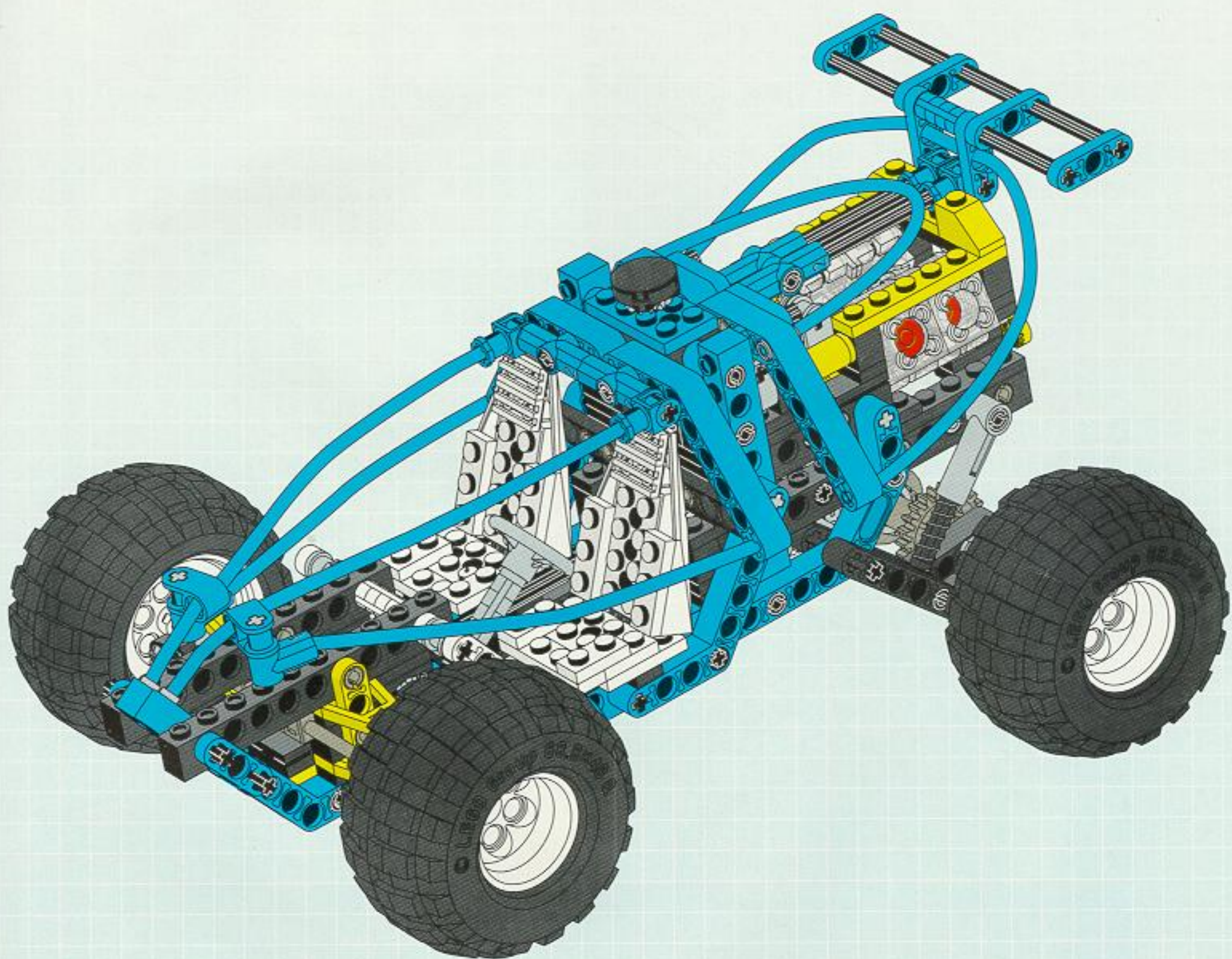


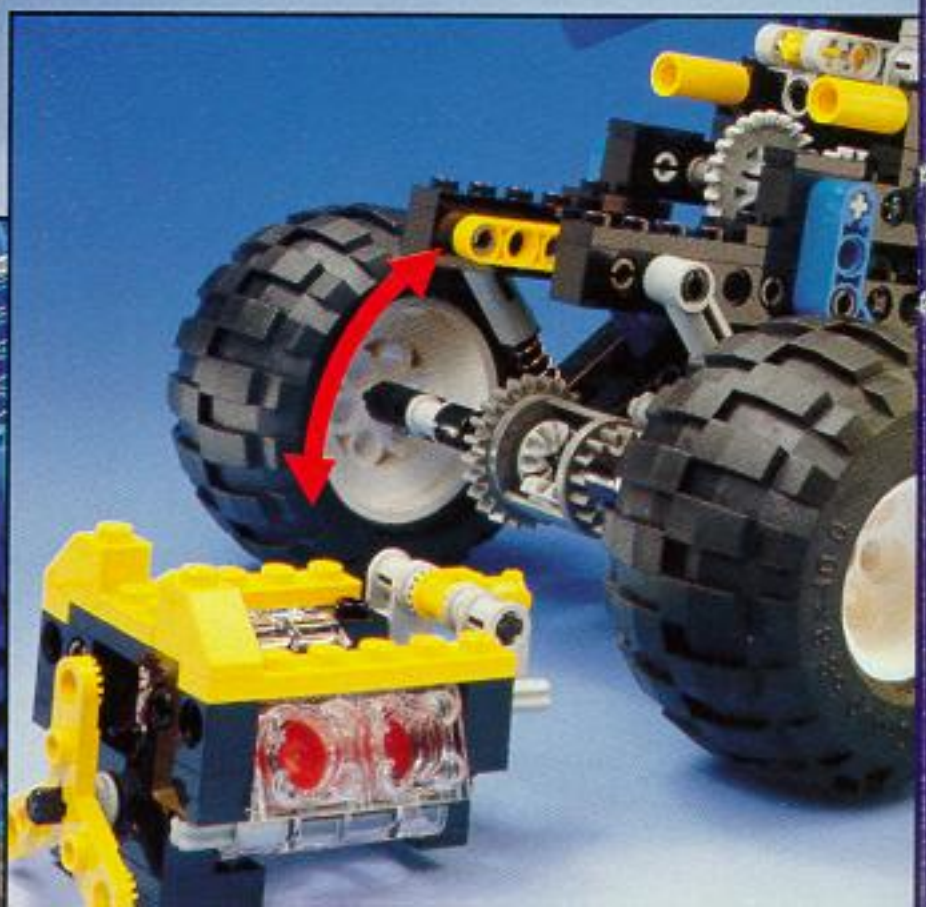
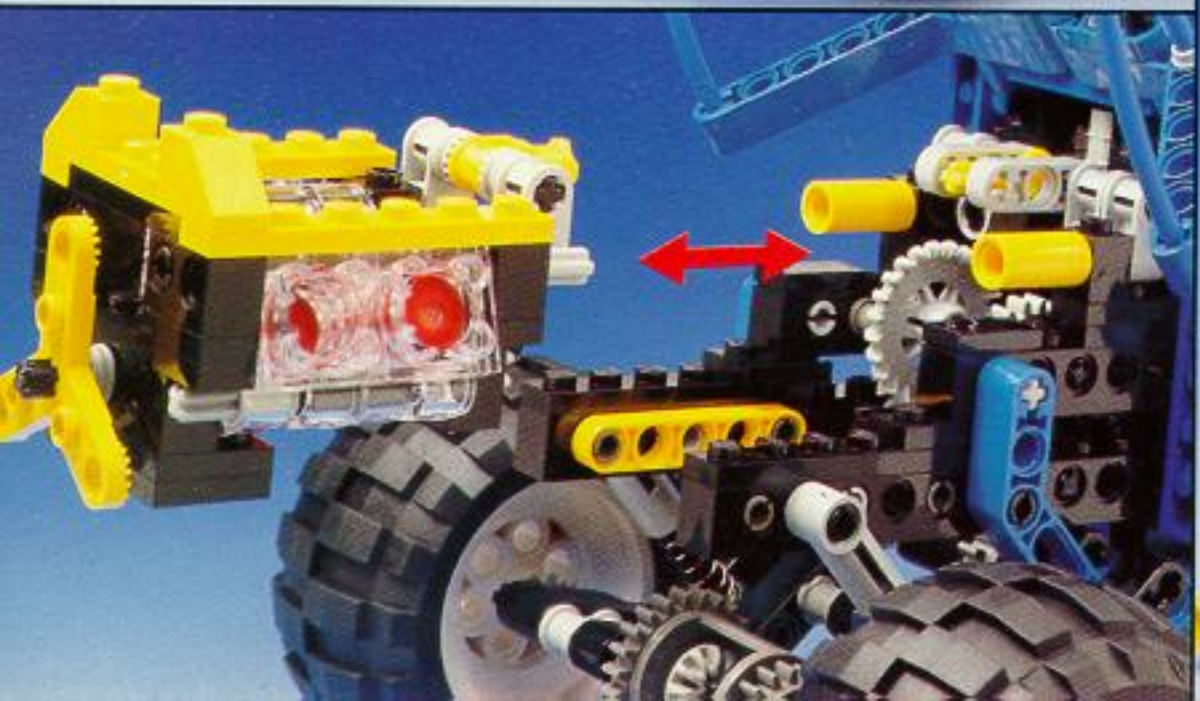
# 31

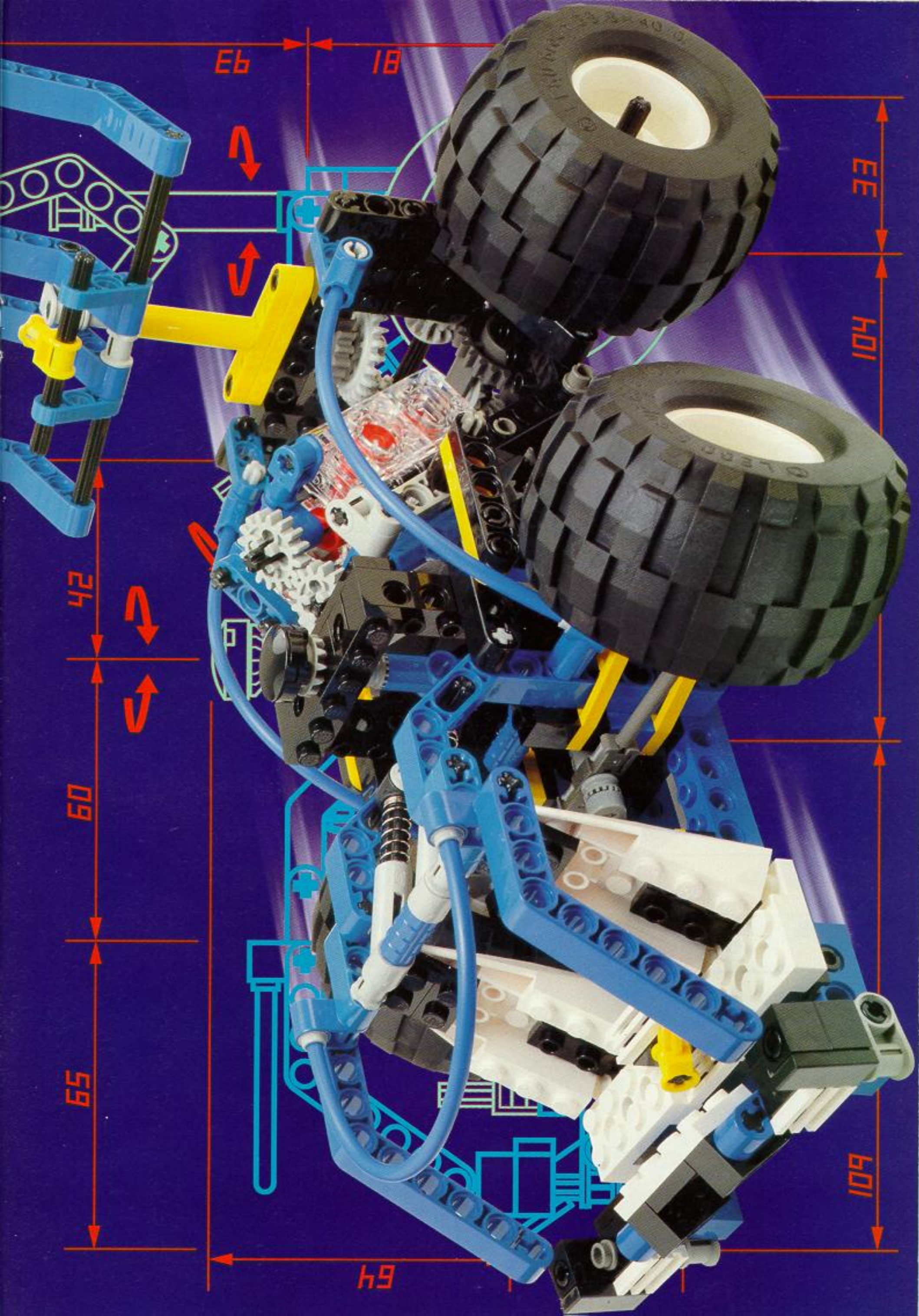




**32**







EB

IB

EE

HD1

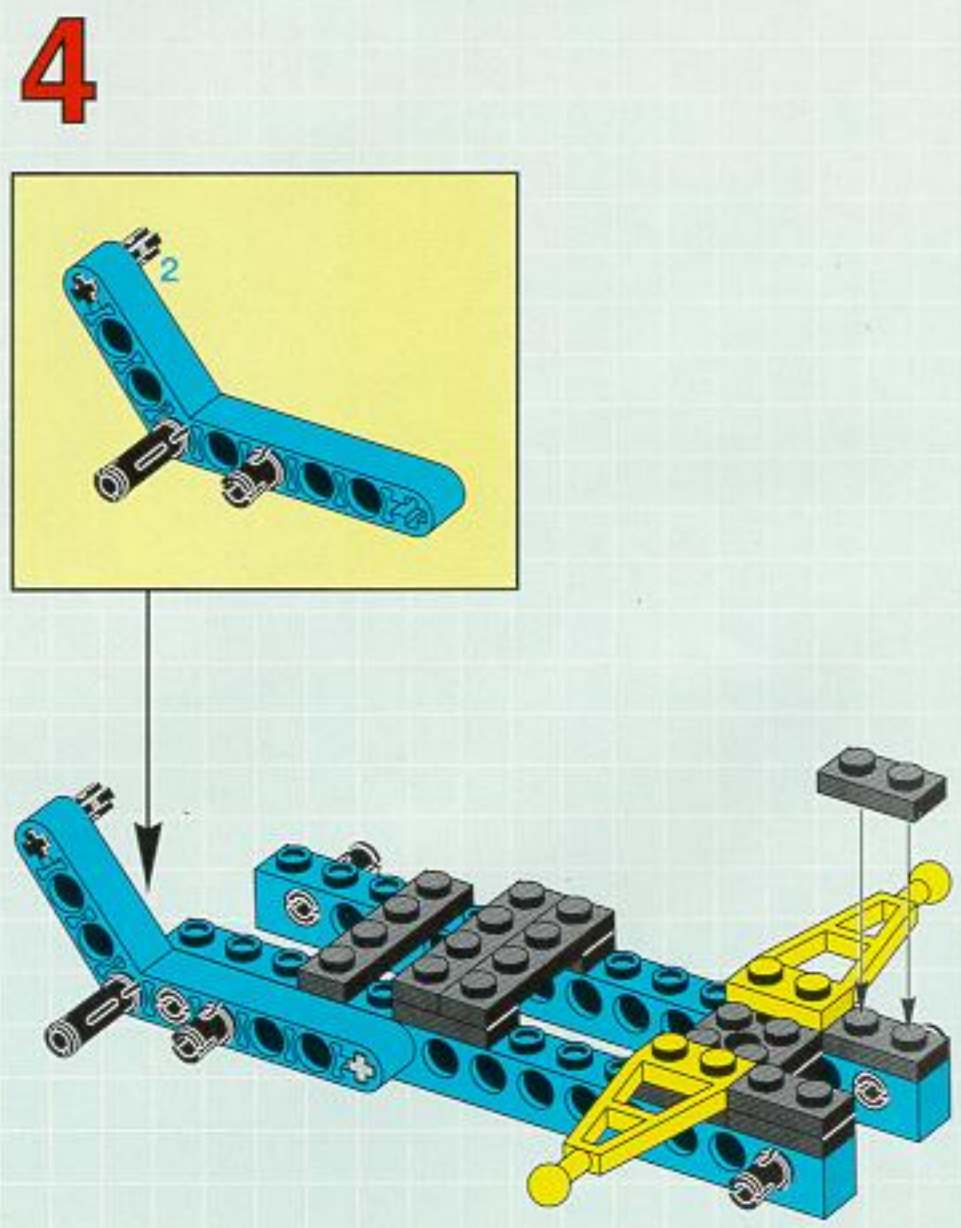
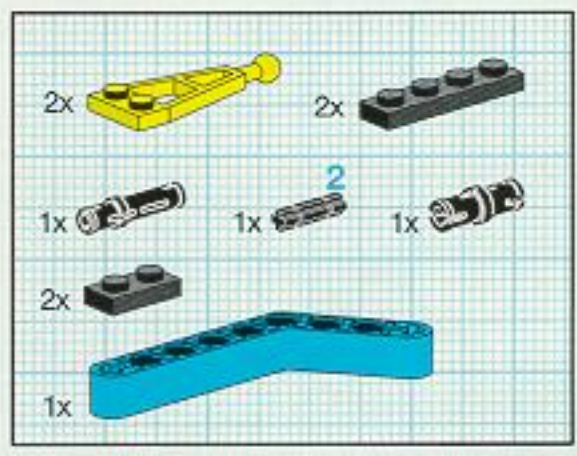
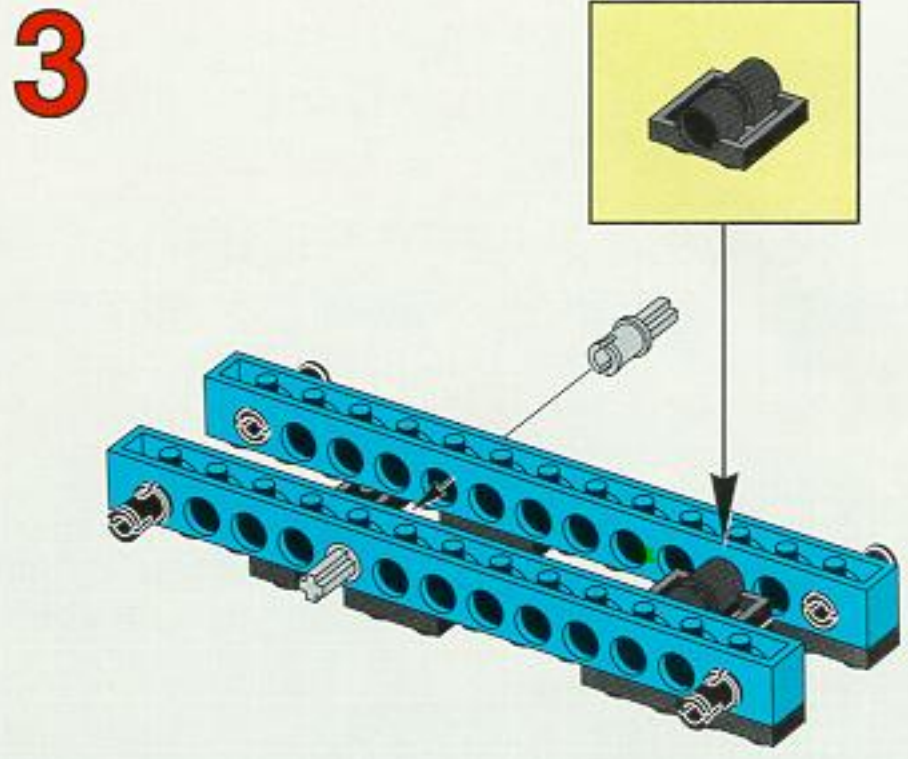
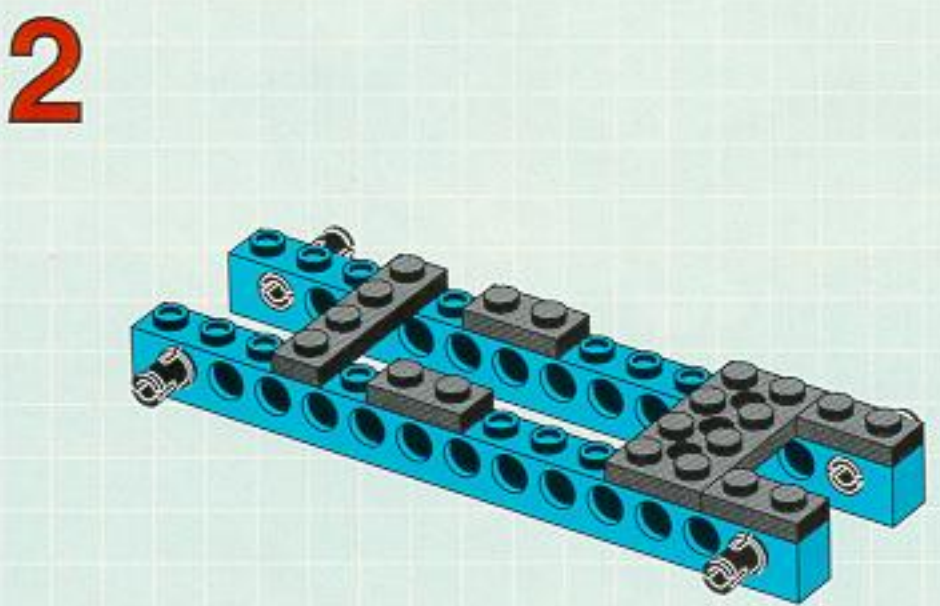
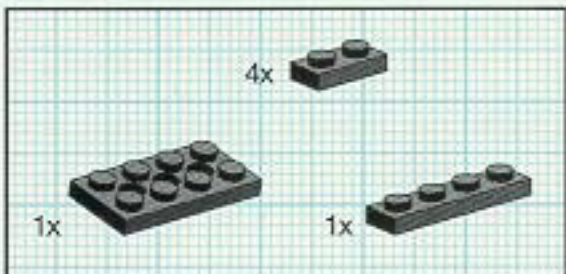
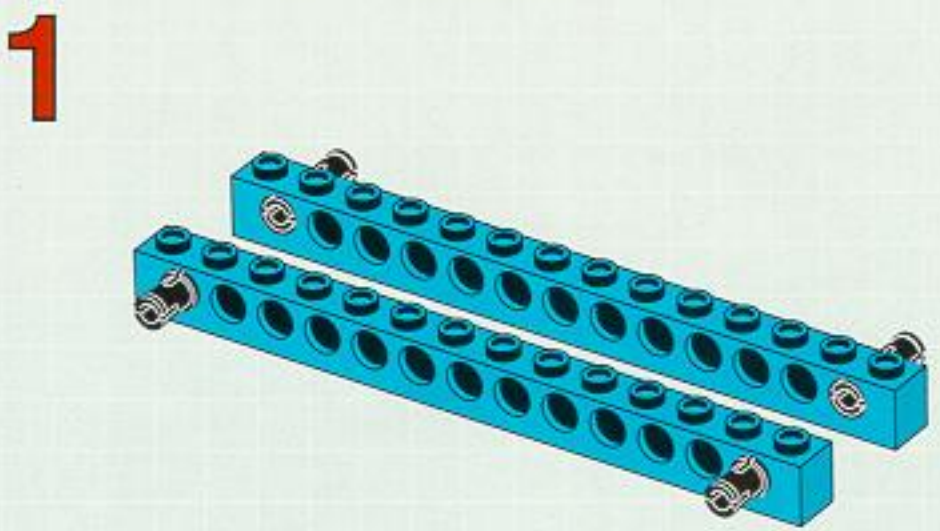
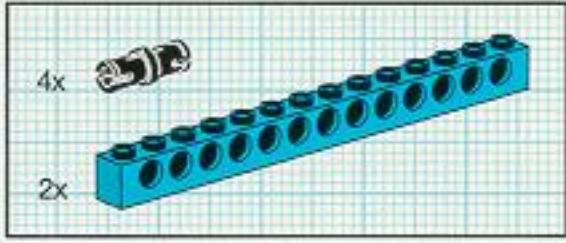
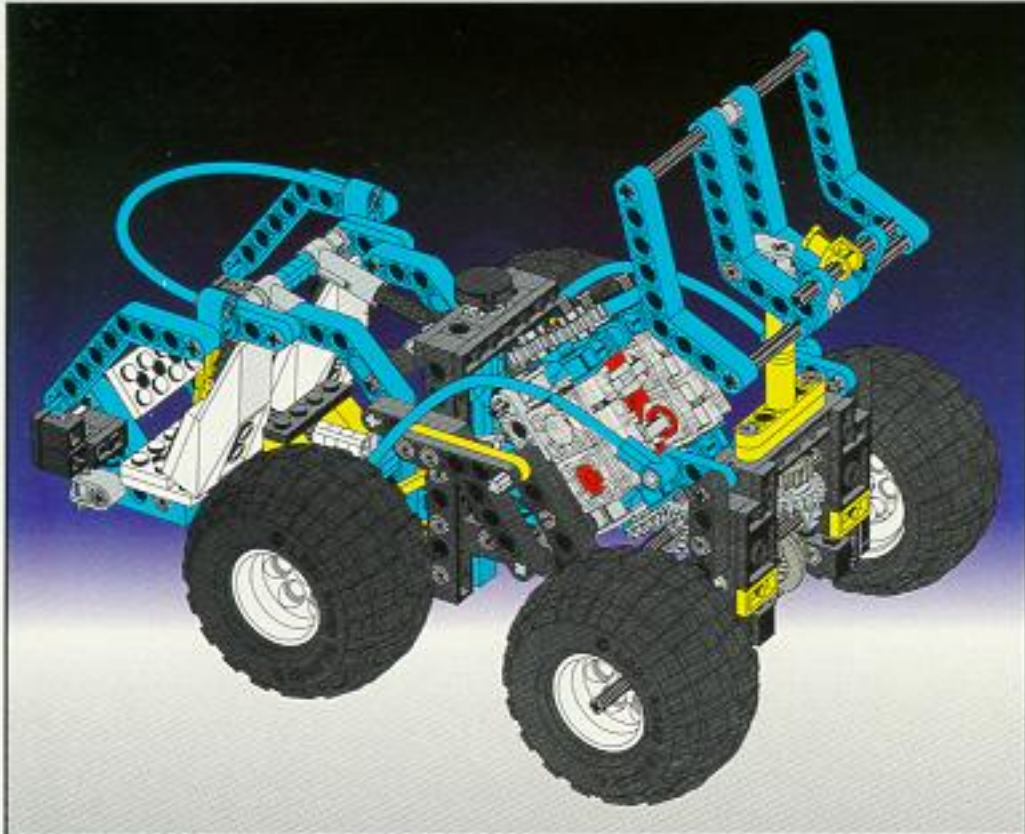
42

60

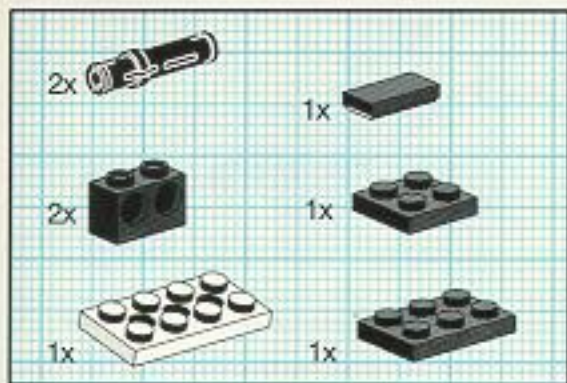
59

64

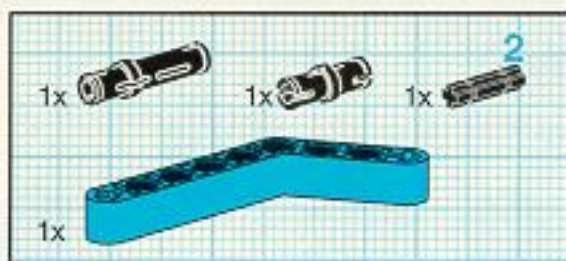
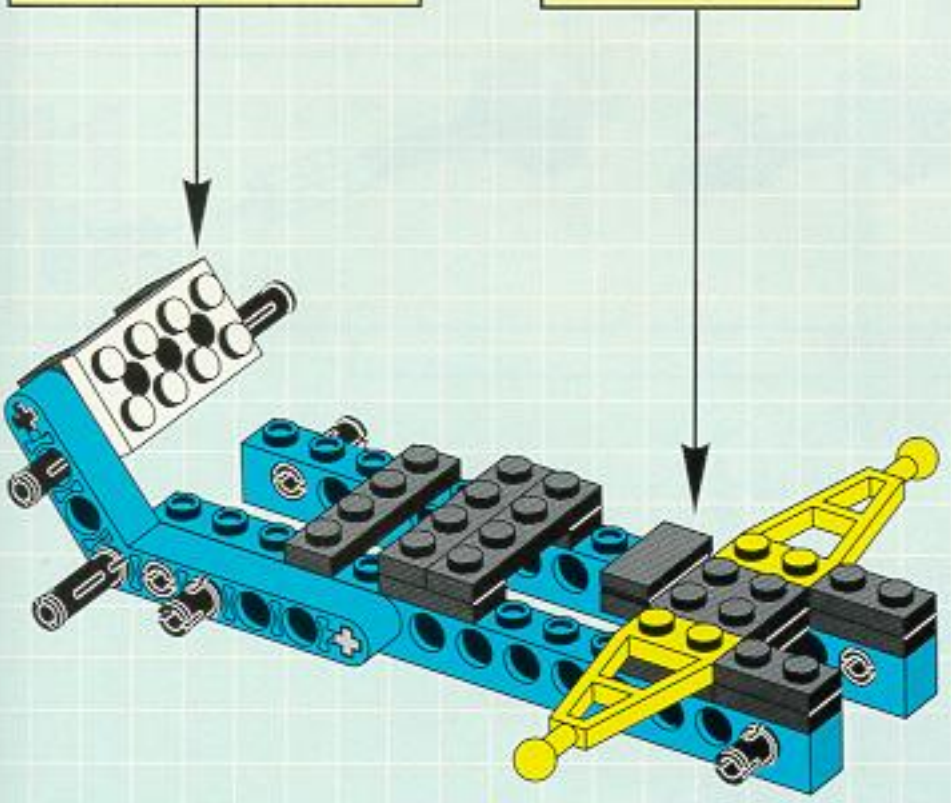
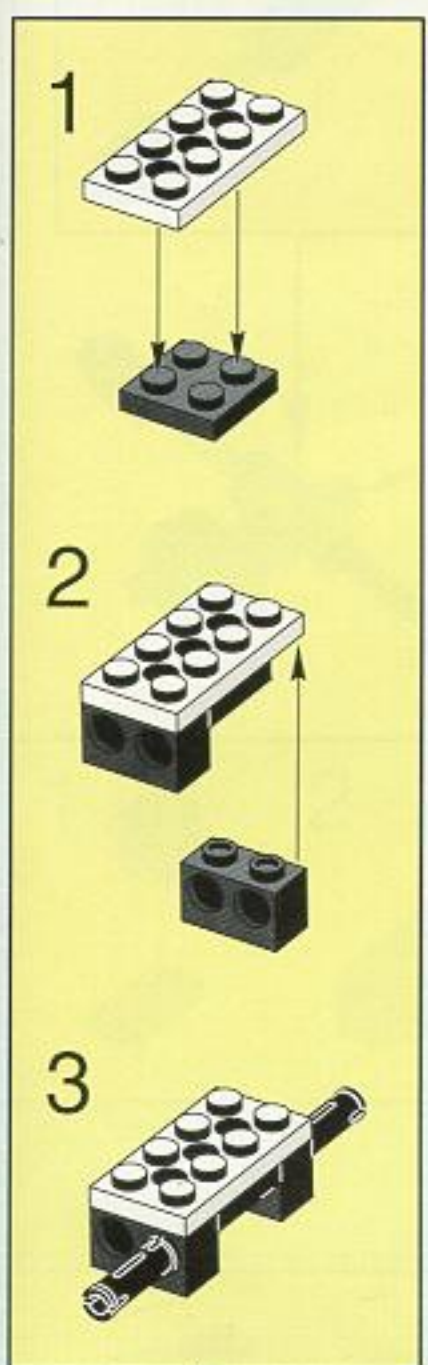
601



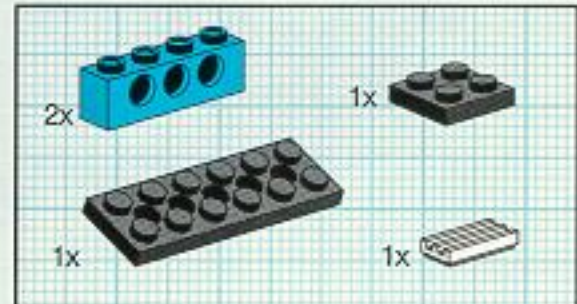
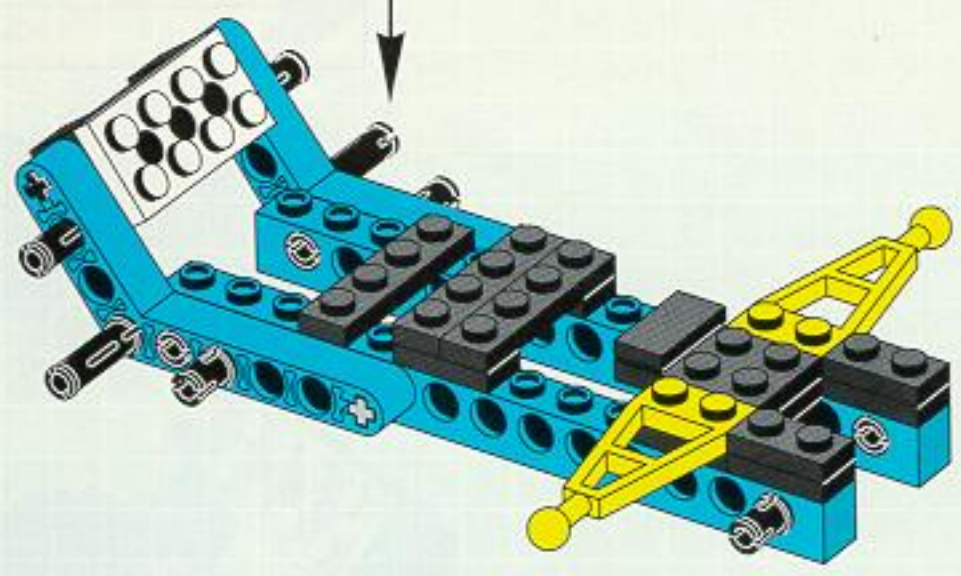
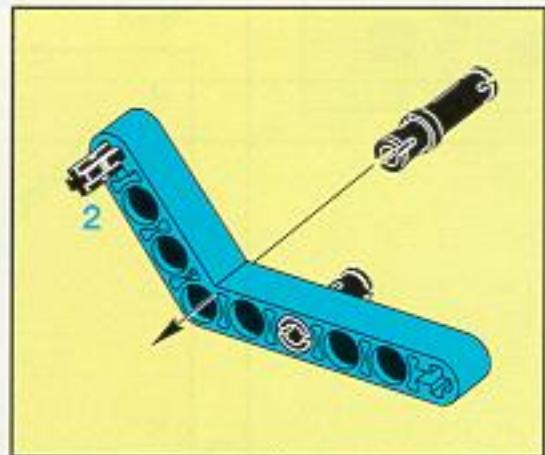




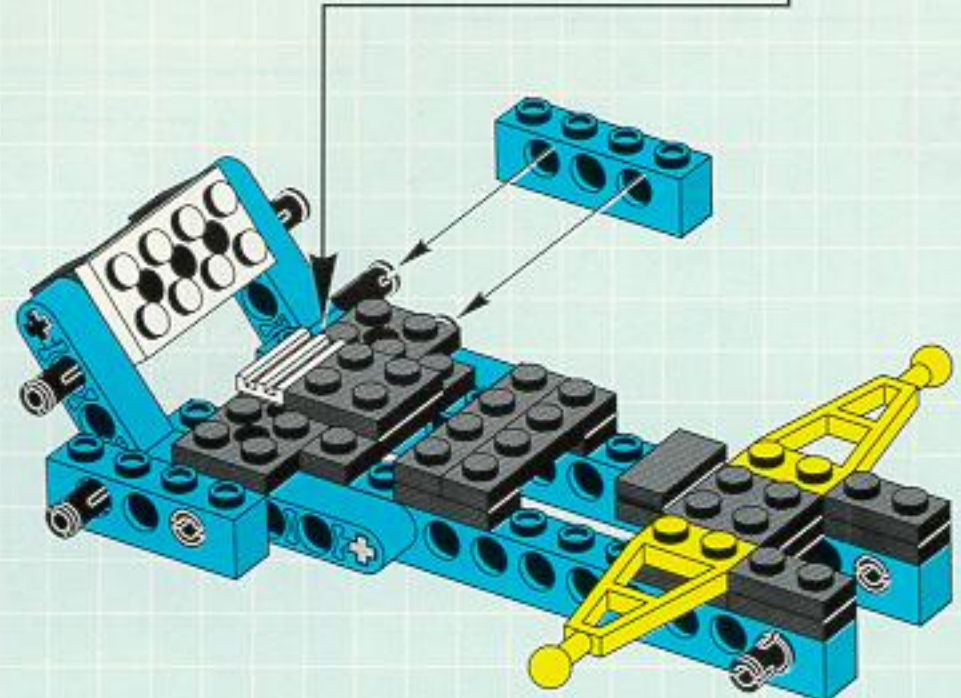
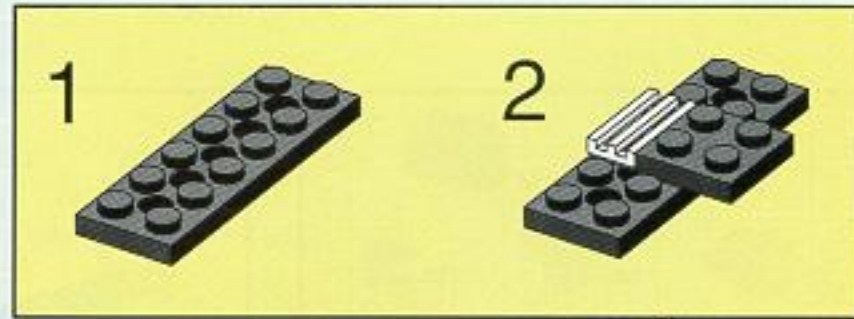
5



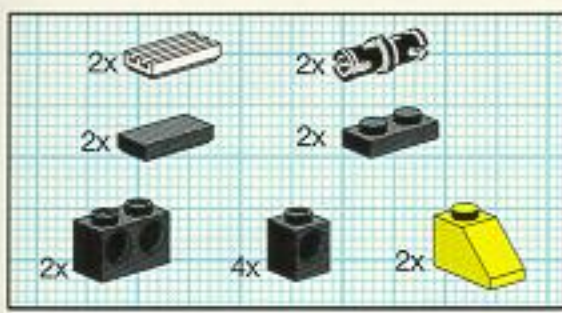
6



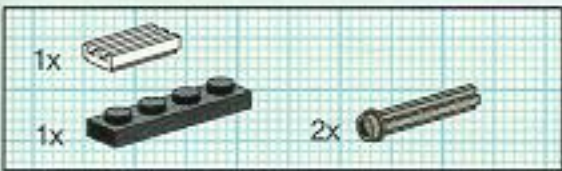
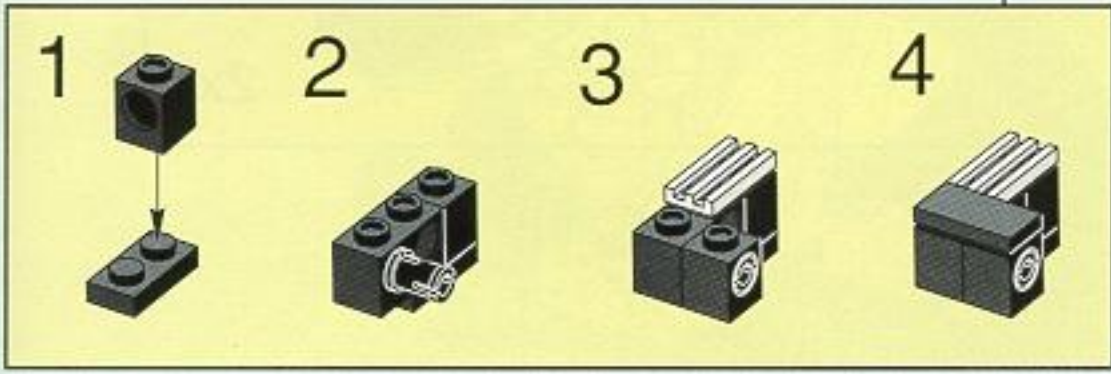
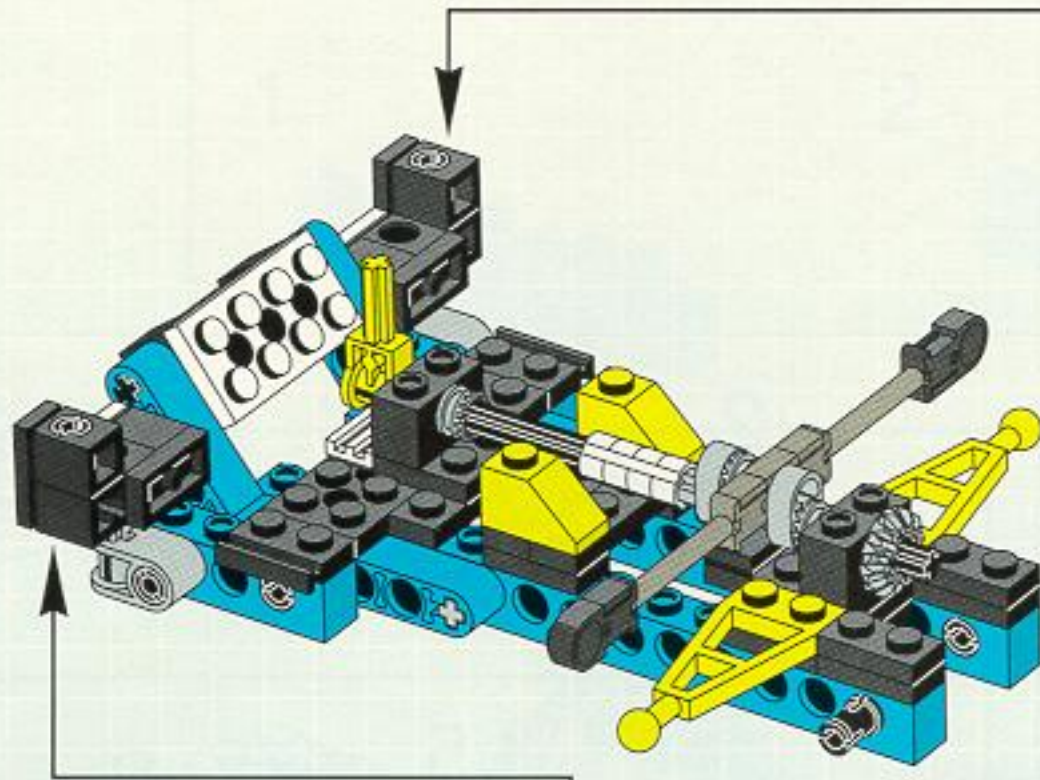
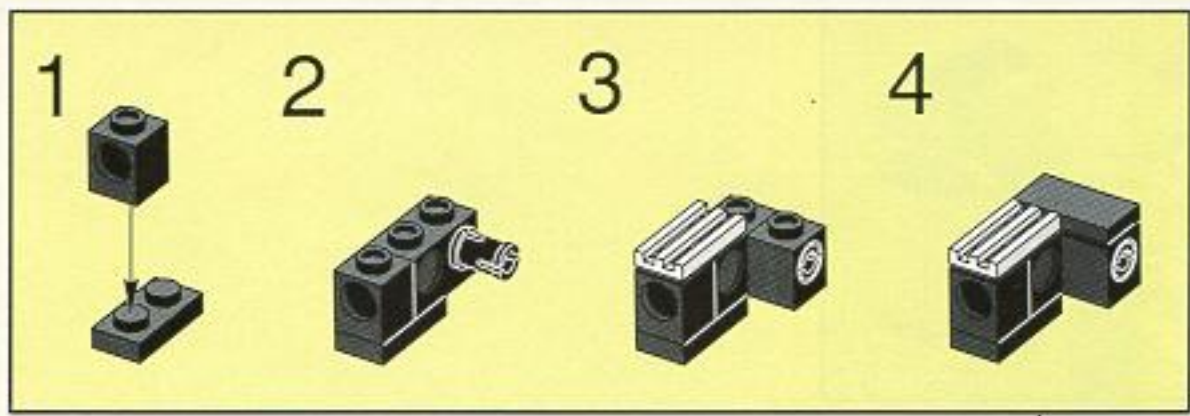
7



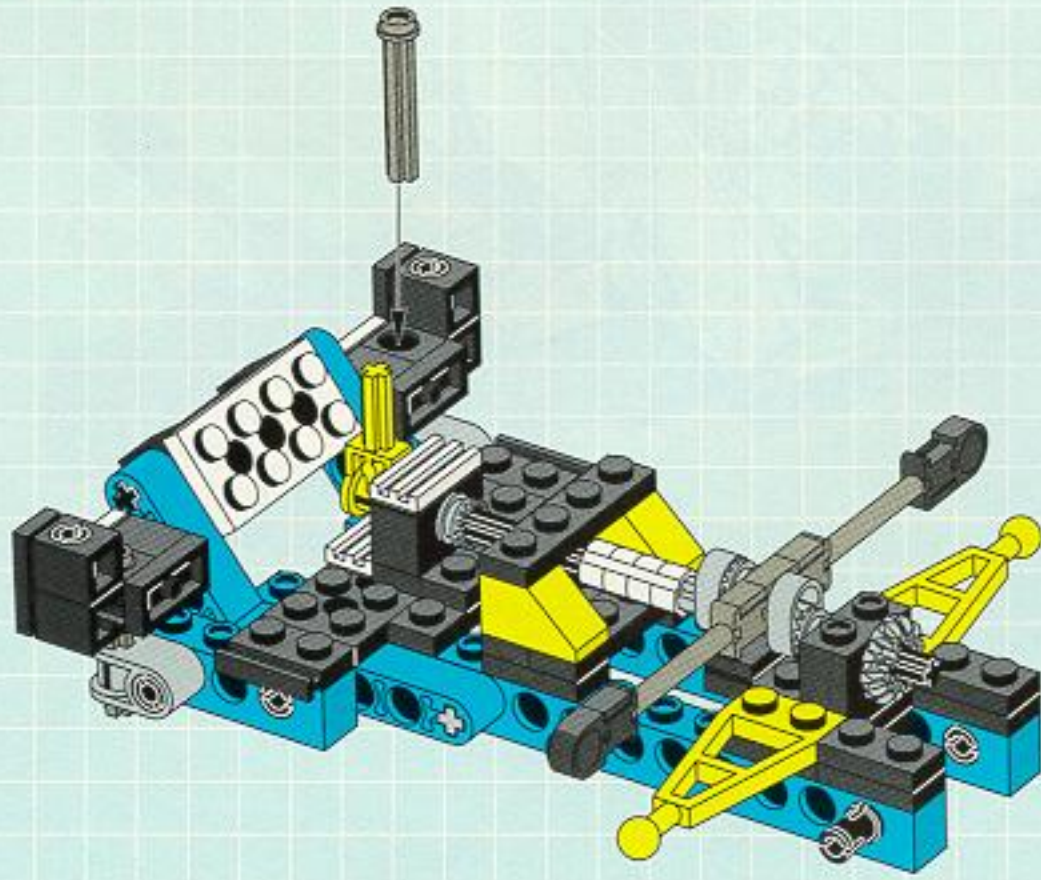


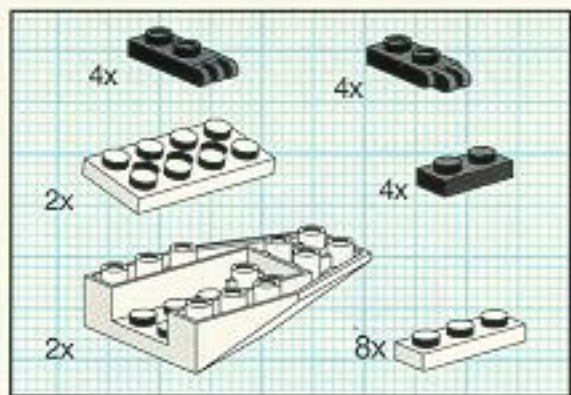


10

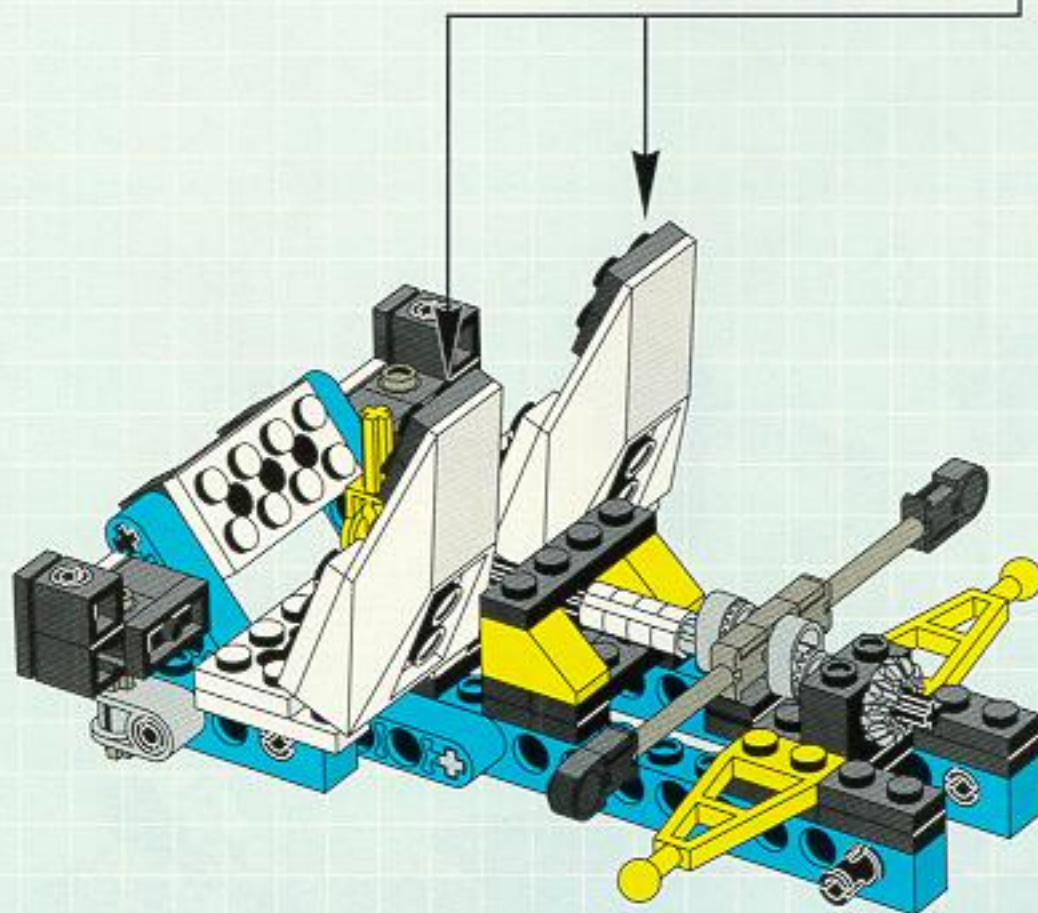
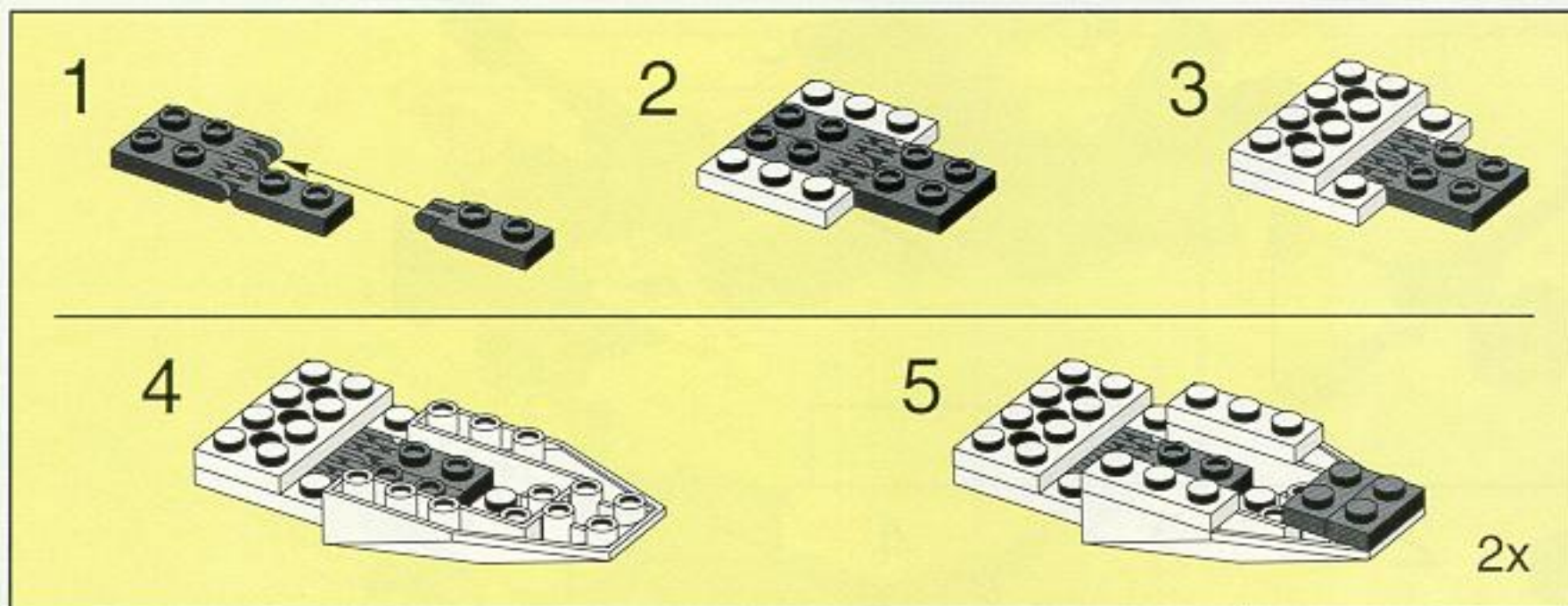


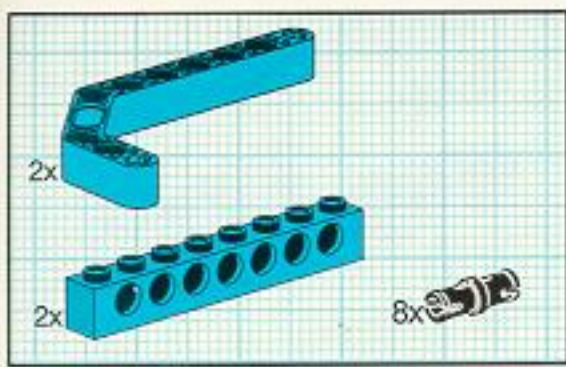
11



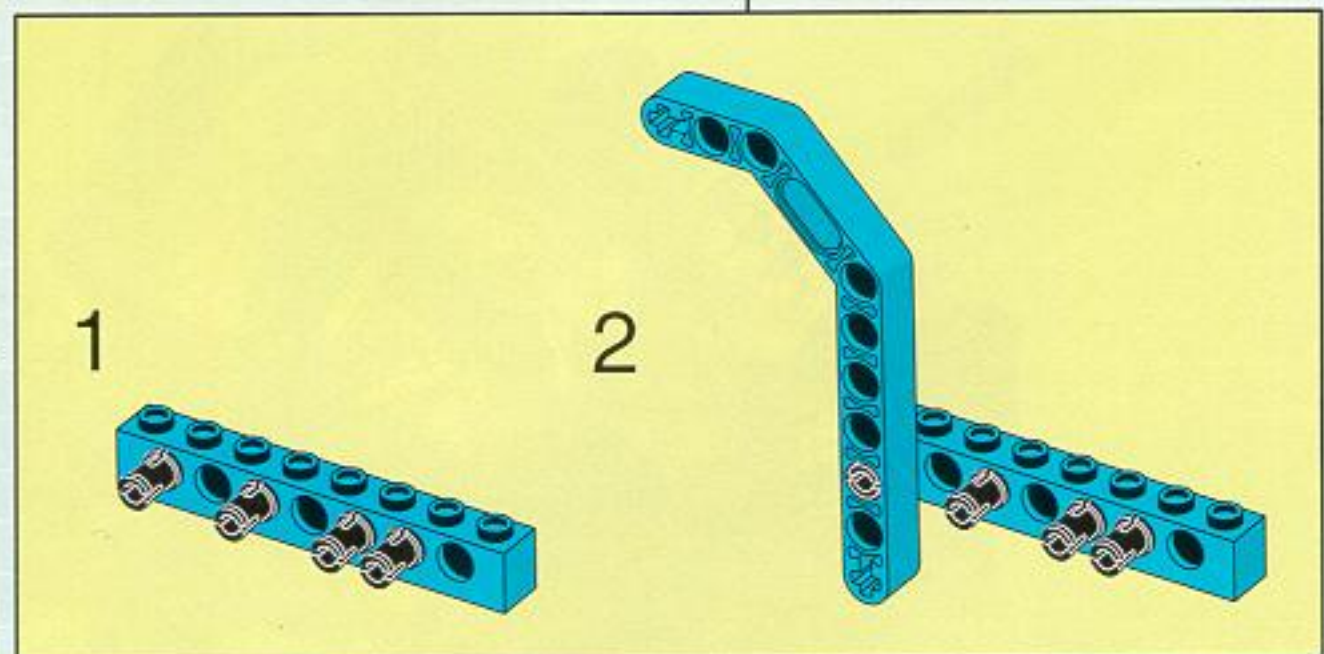
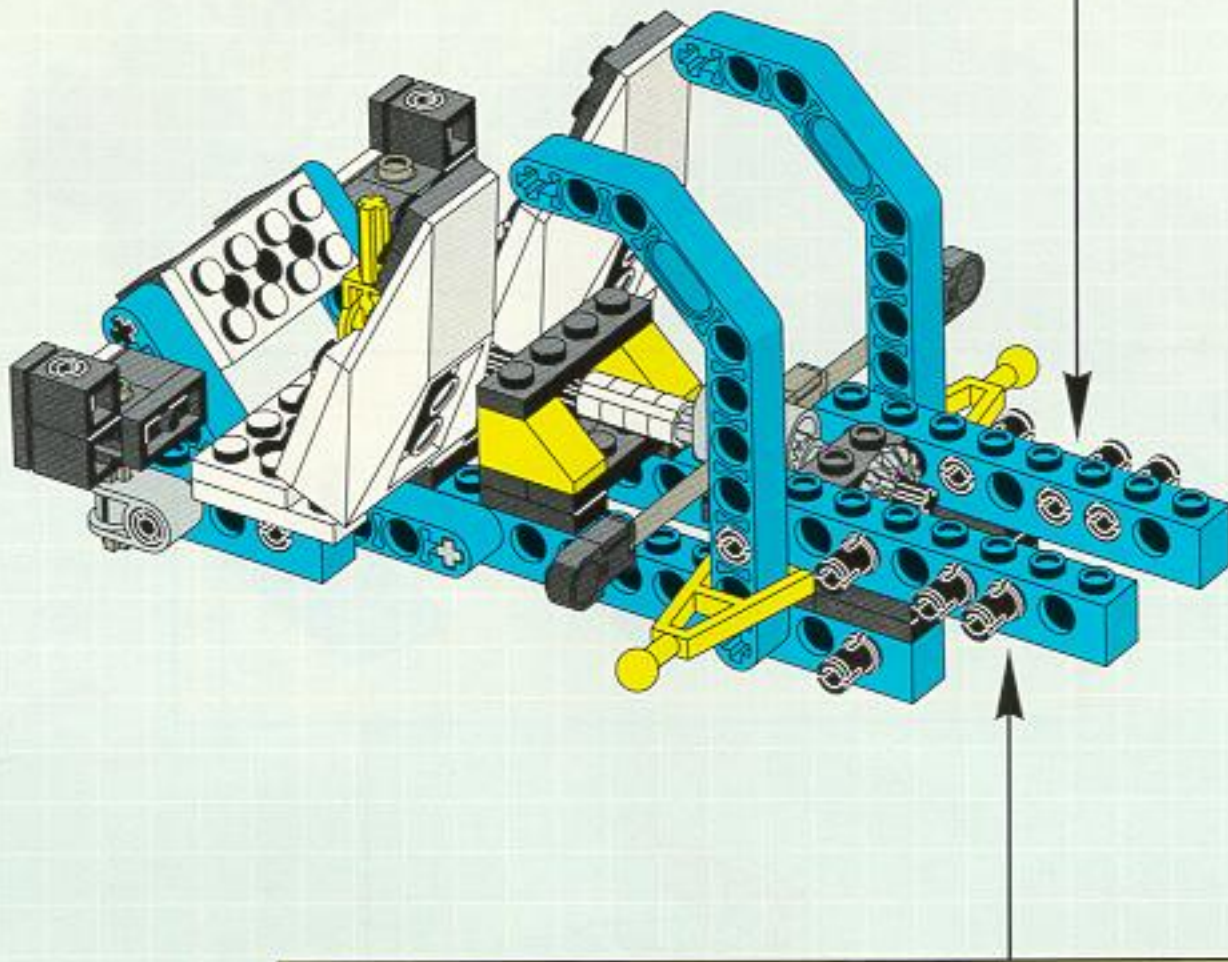
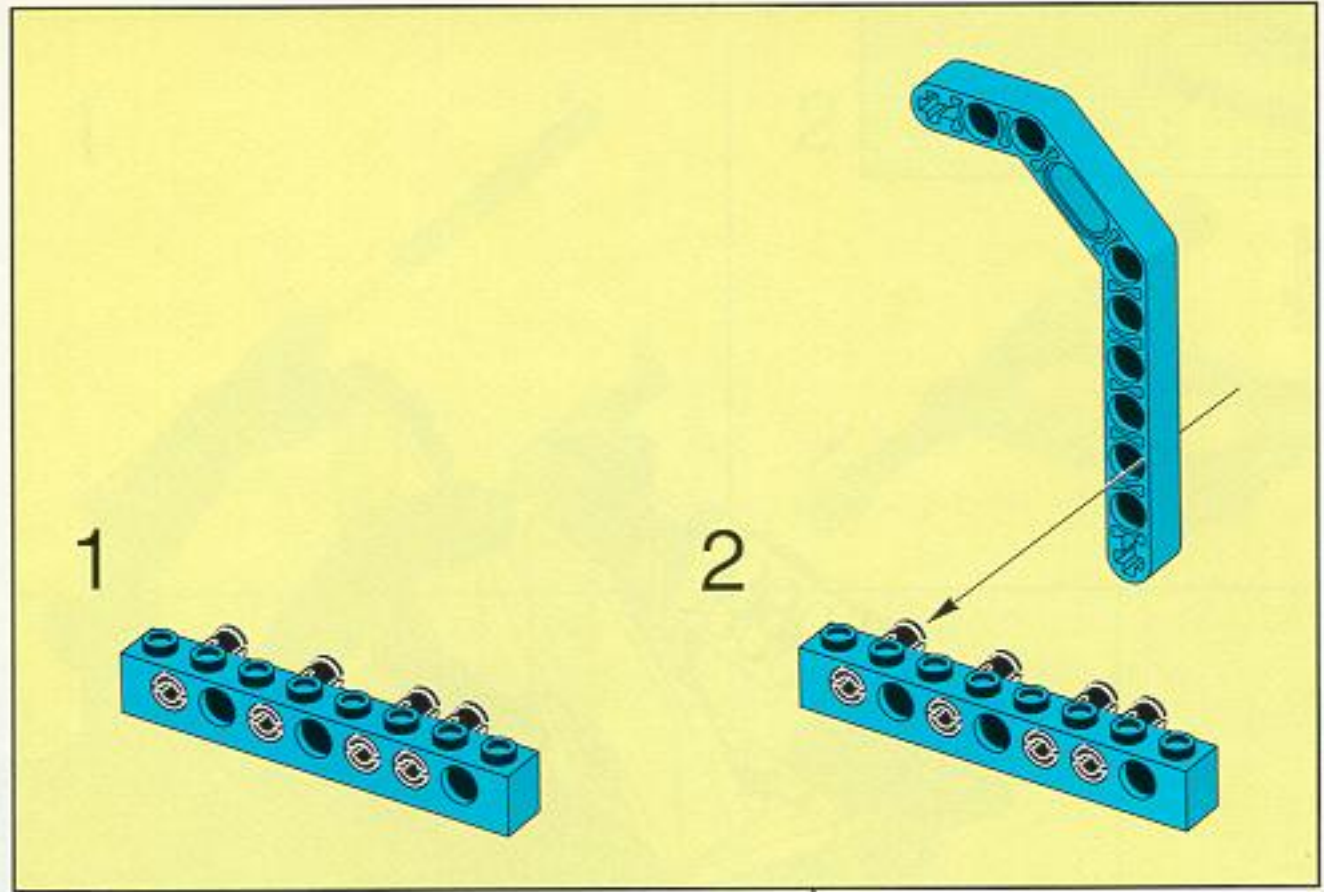


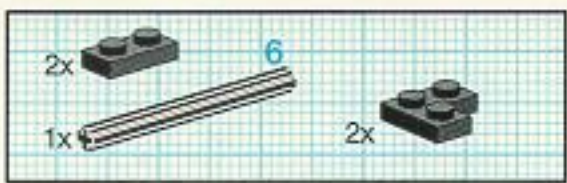
# 12



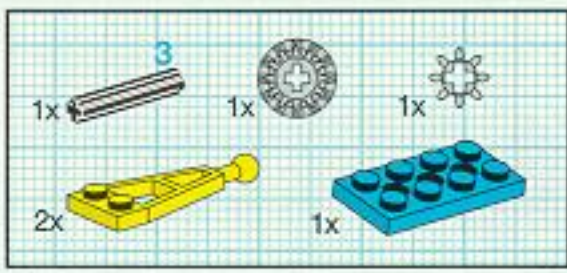
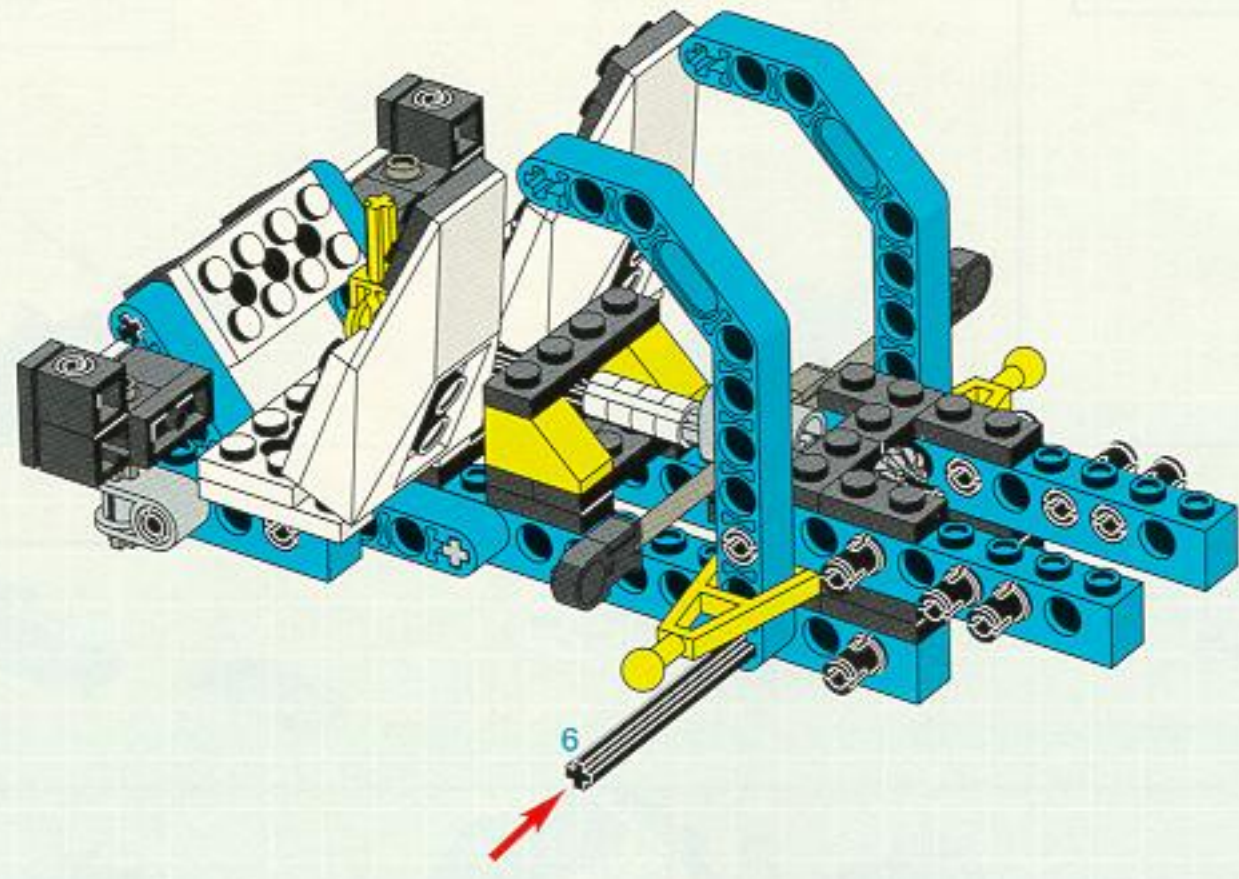


13

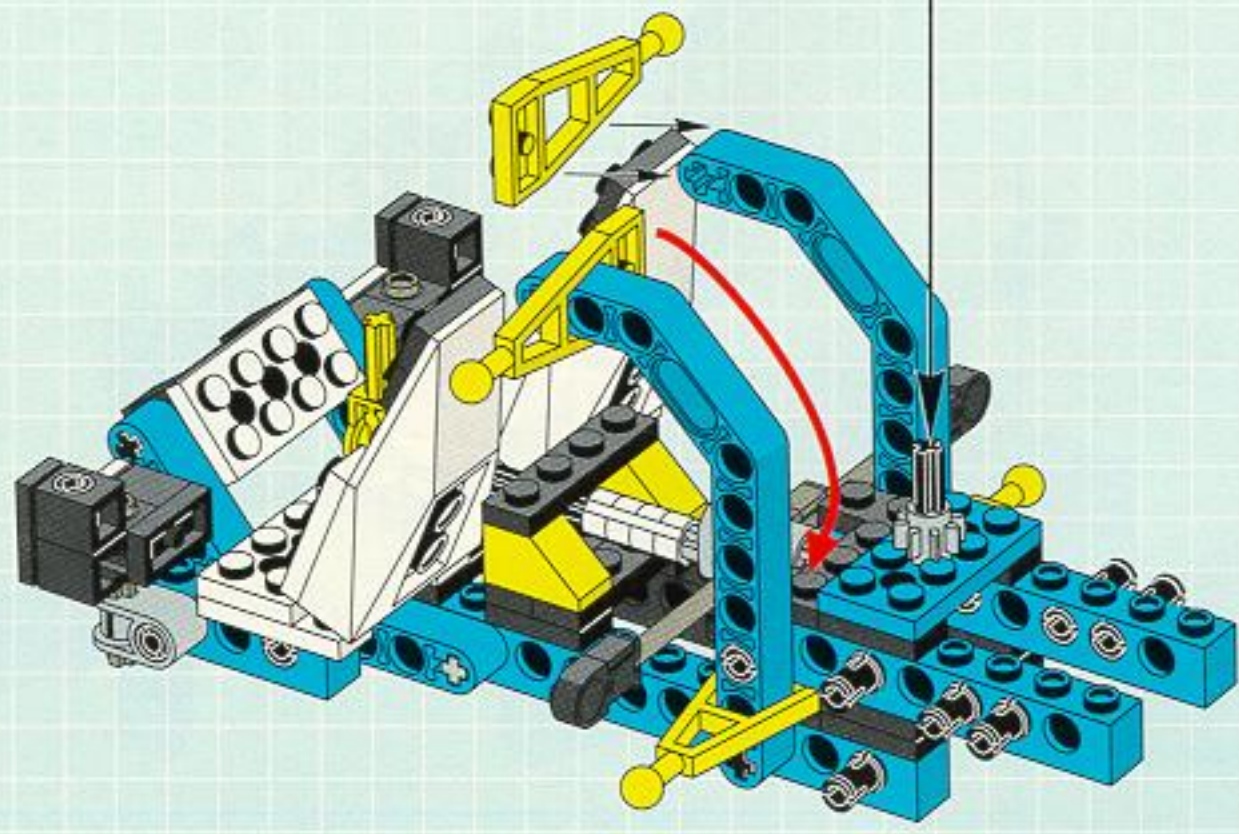
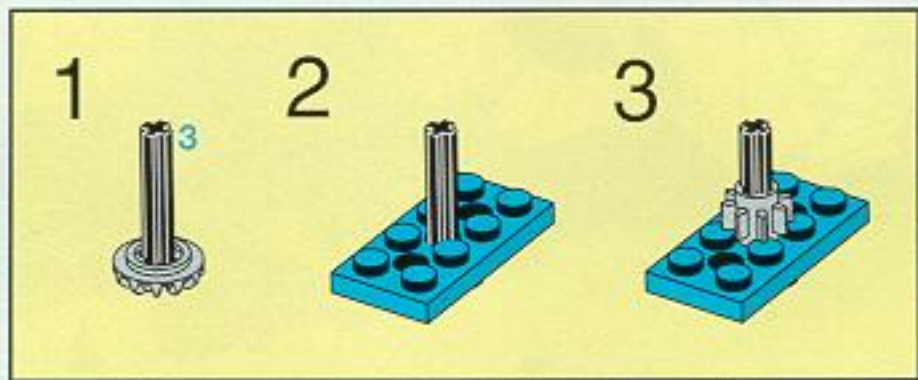


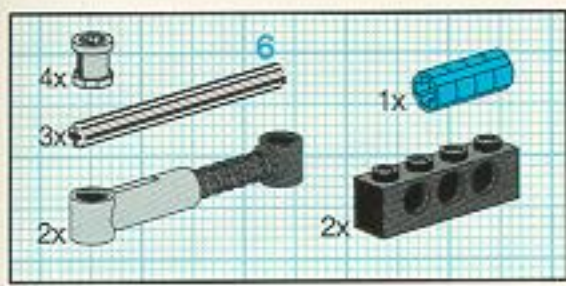


# 14

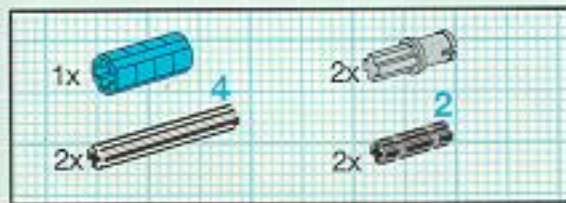
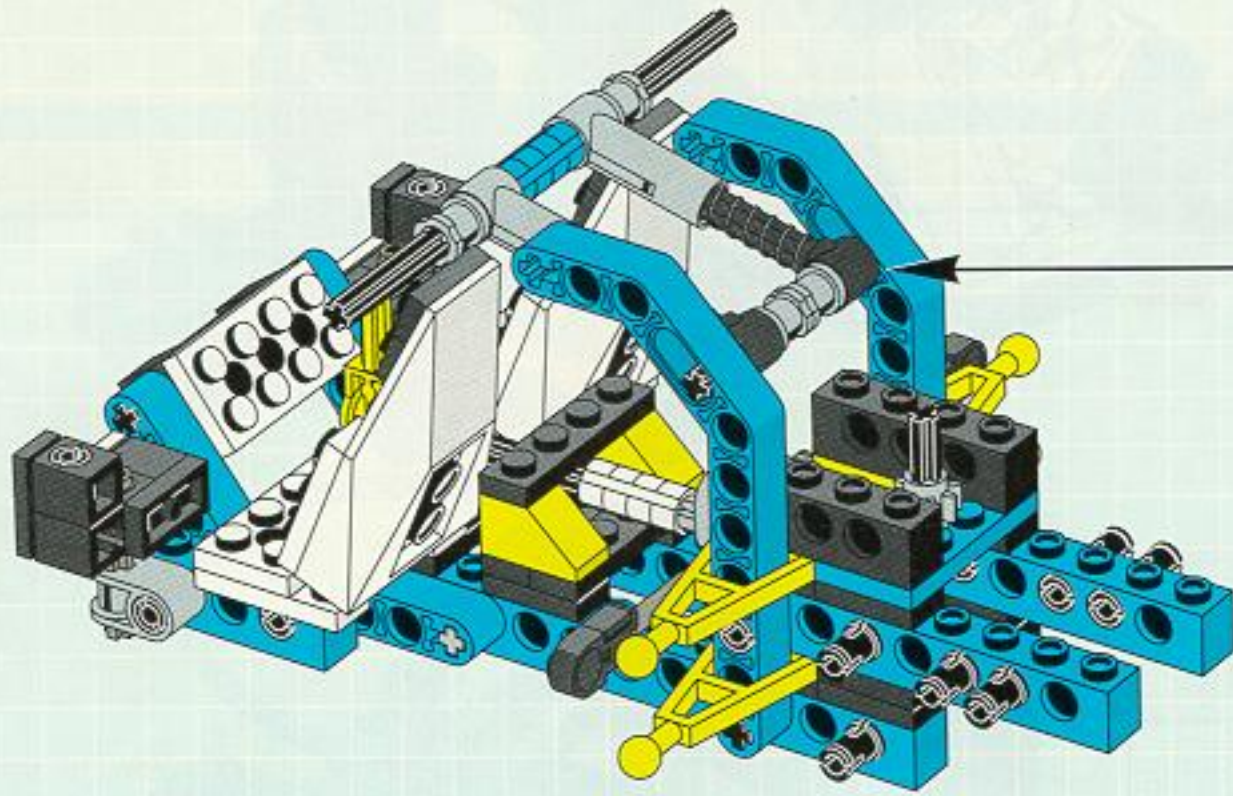
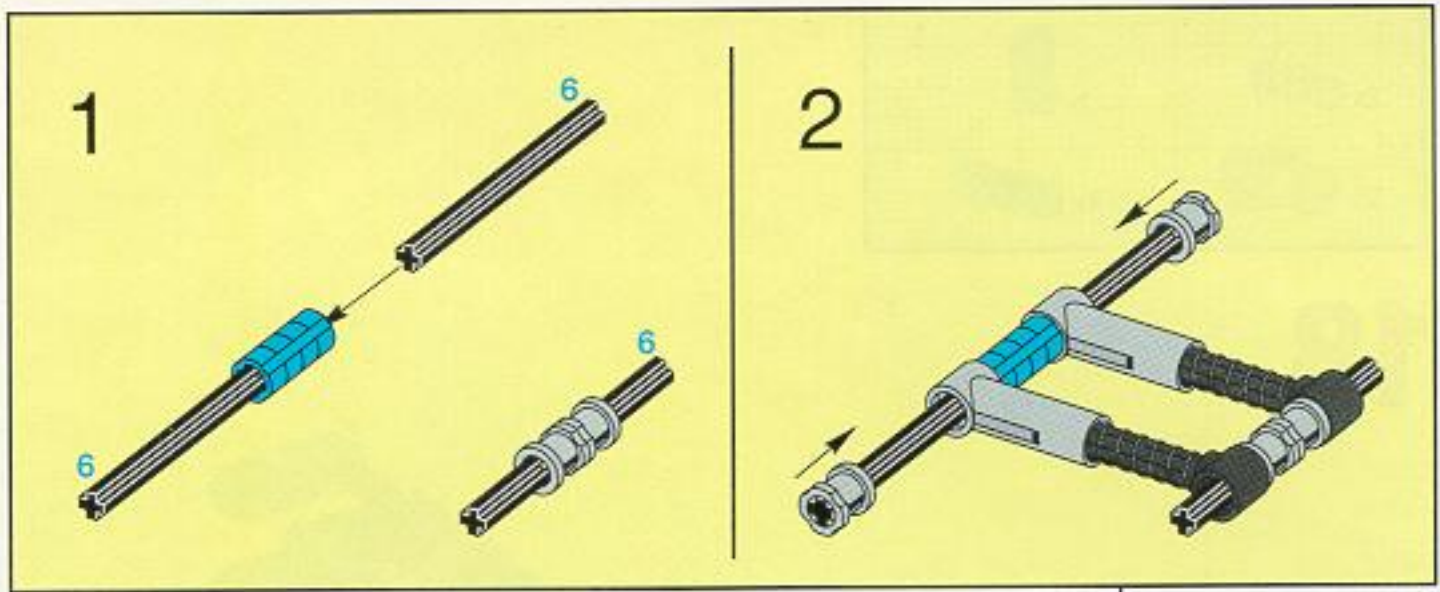


# 15

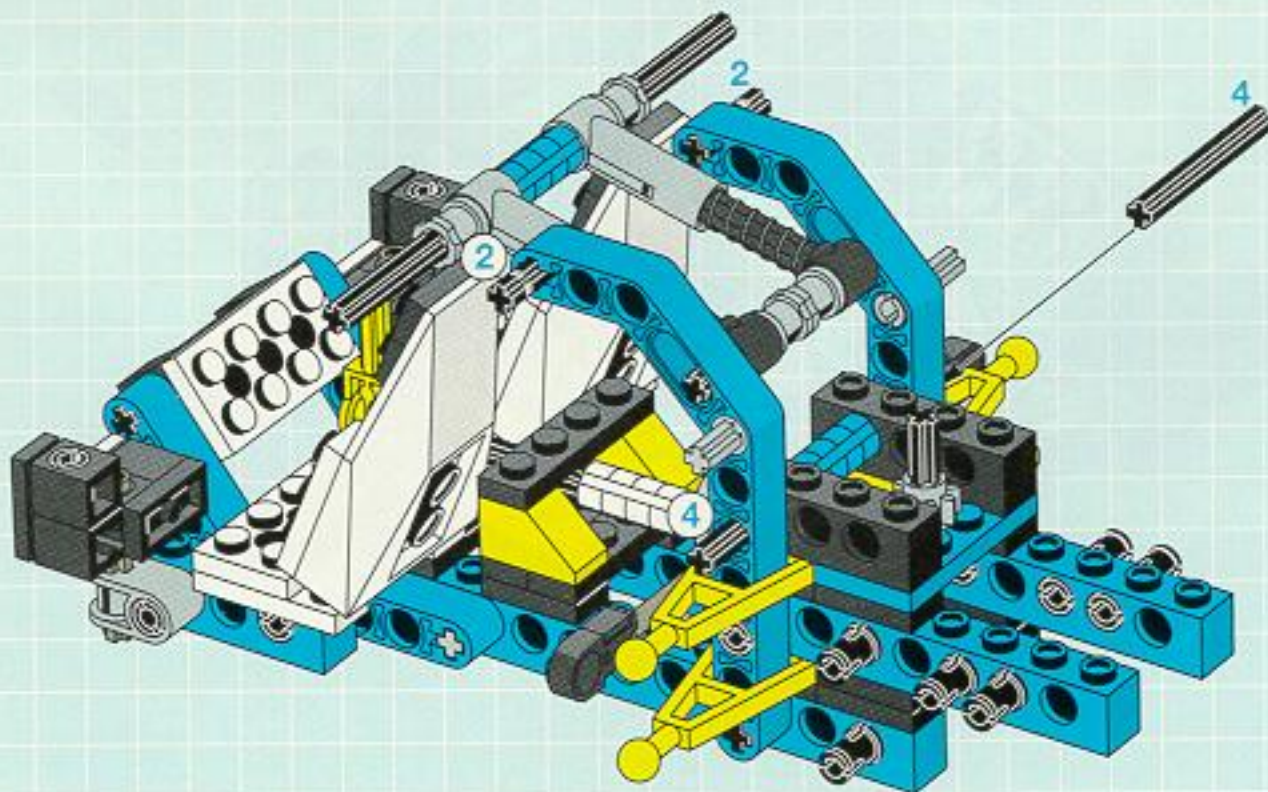


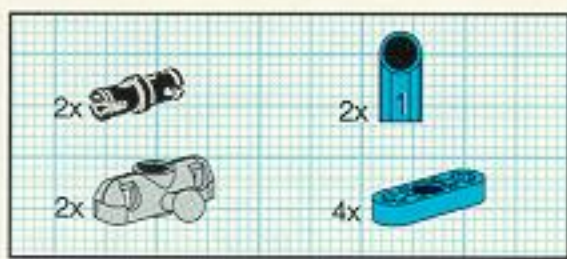


16

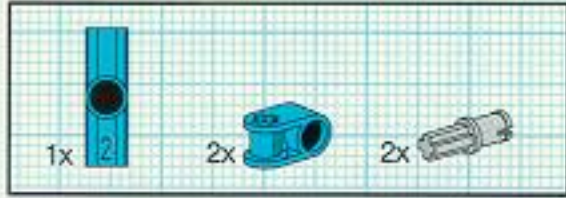
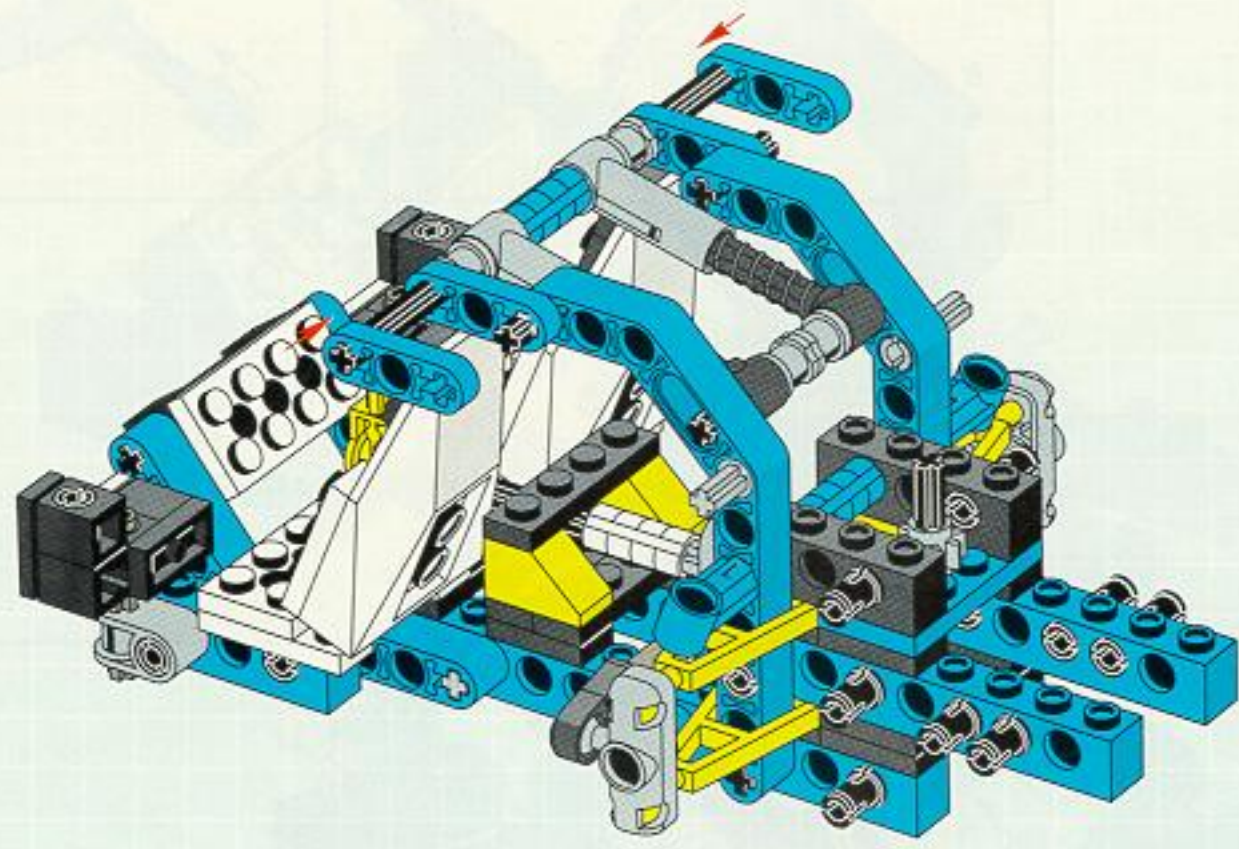


17

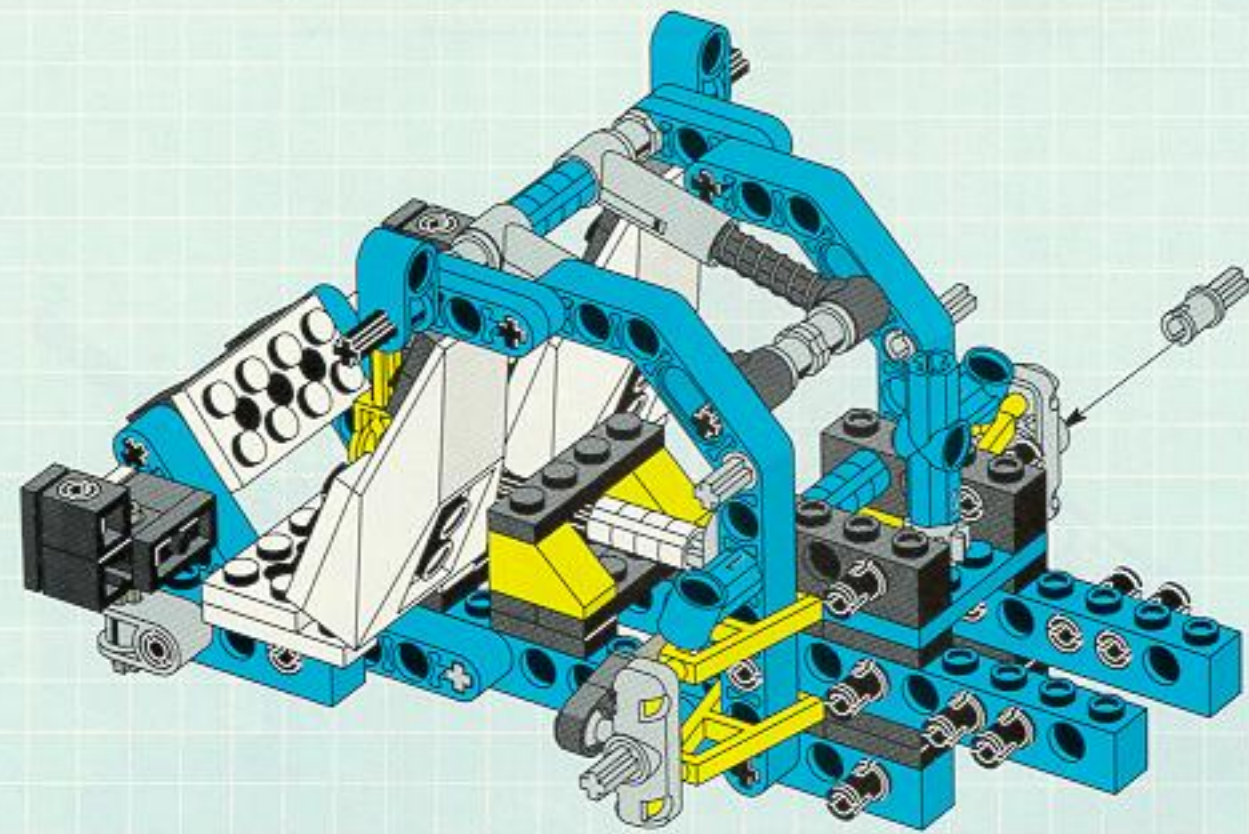




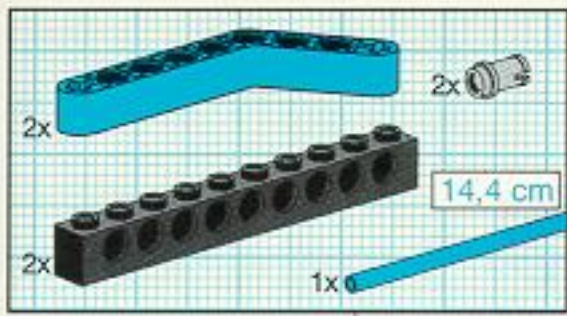
18



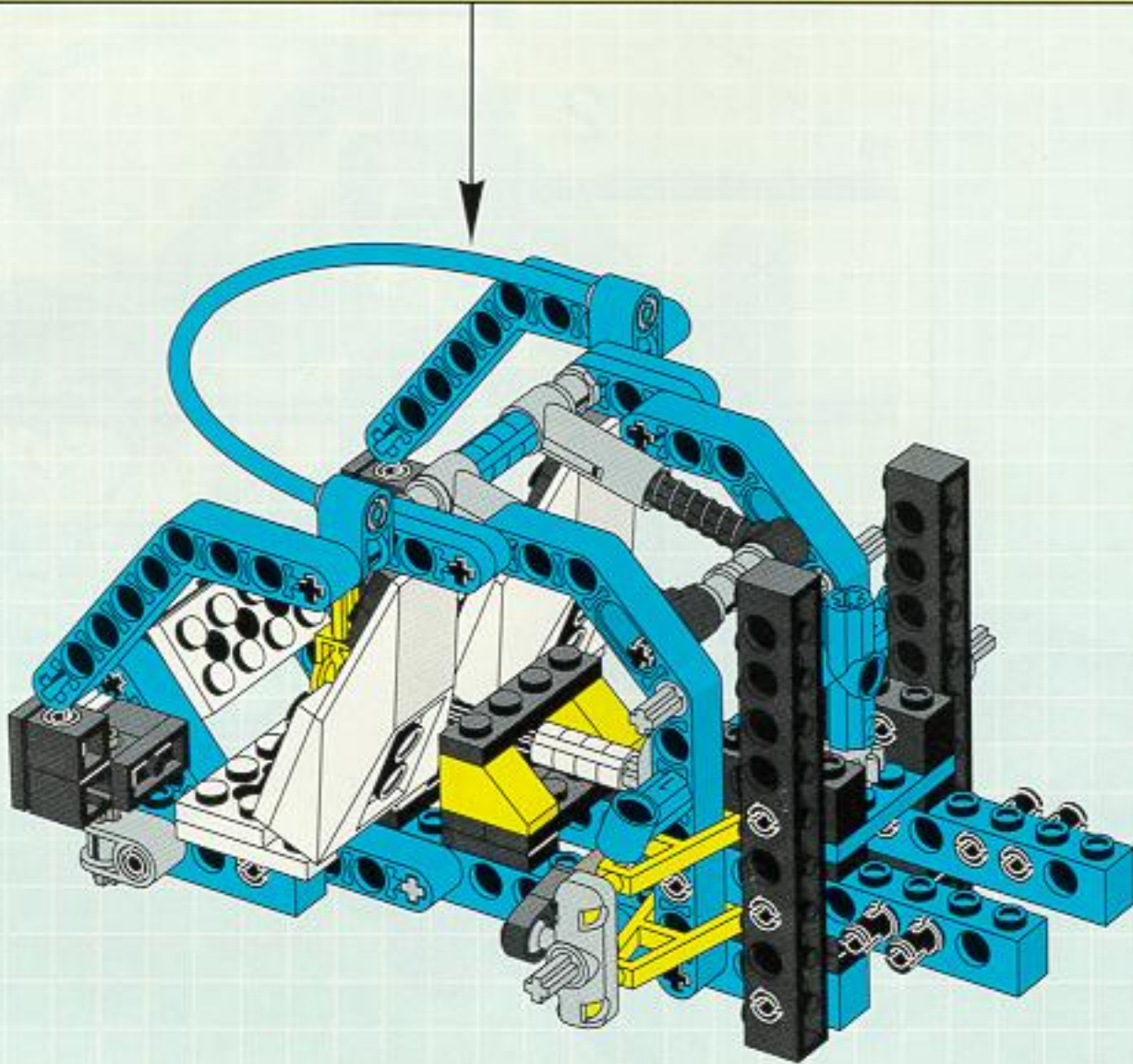
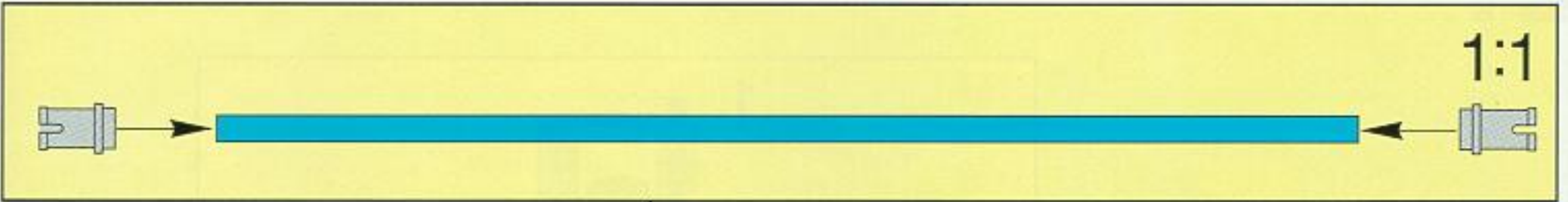
19



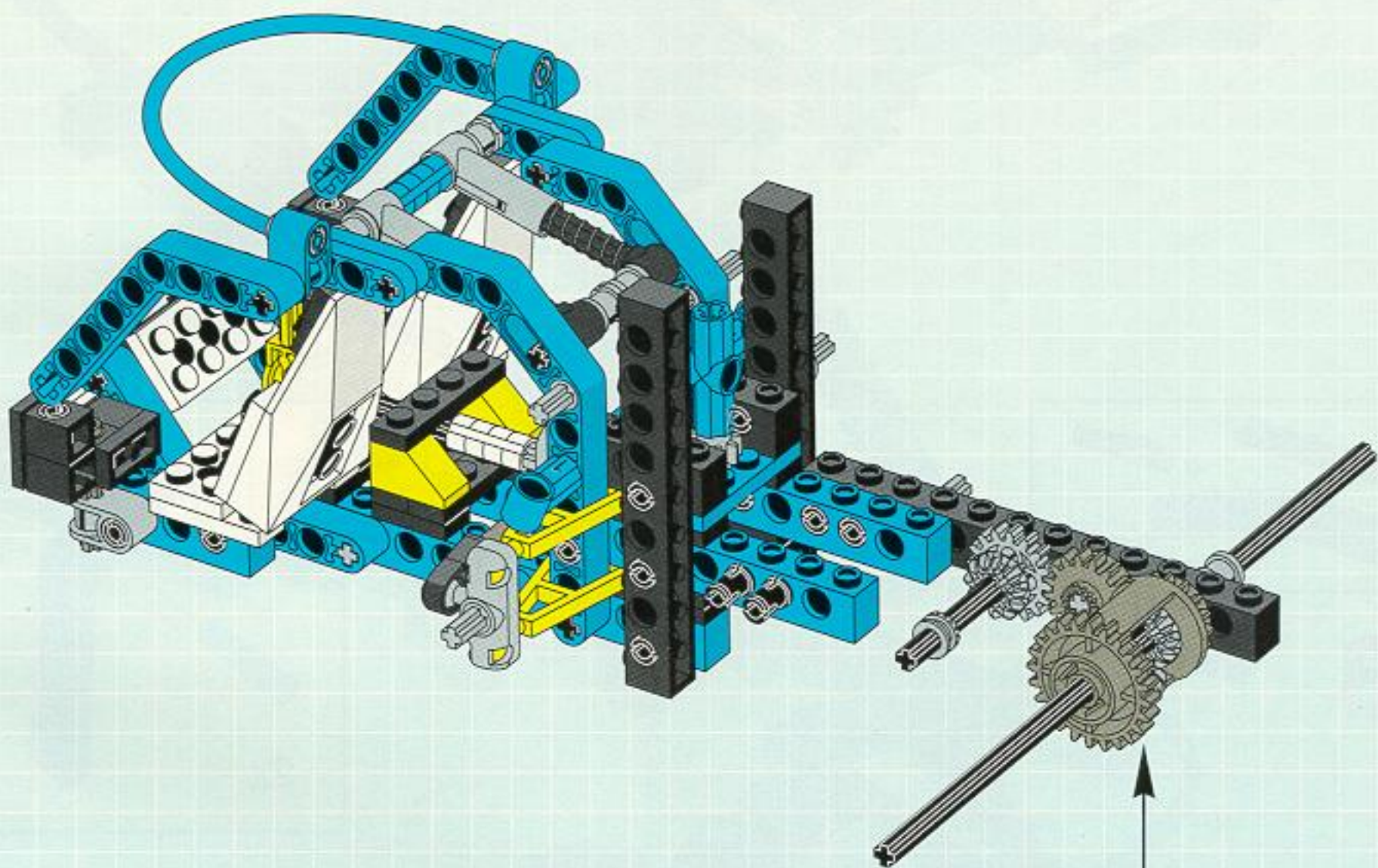


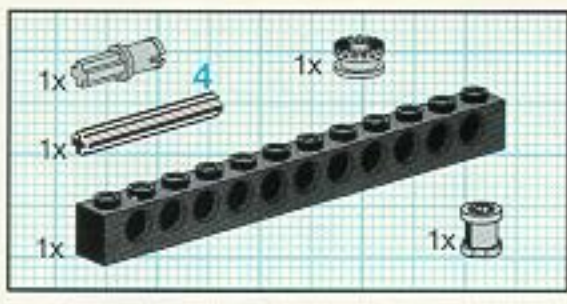


20

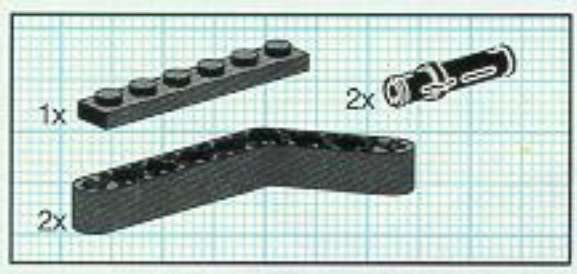
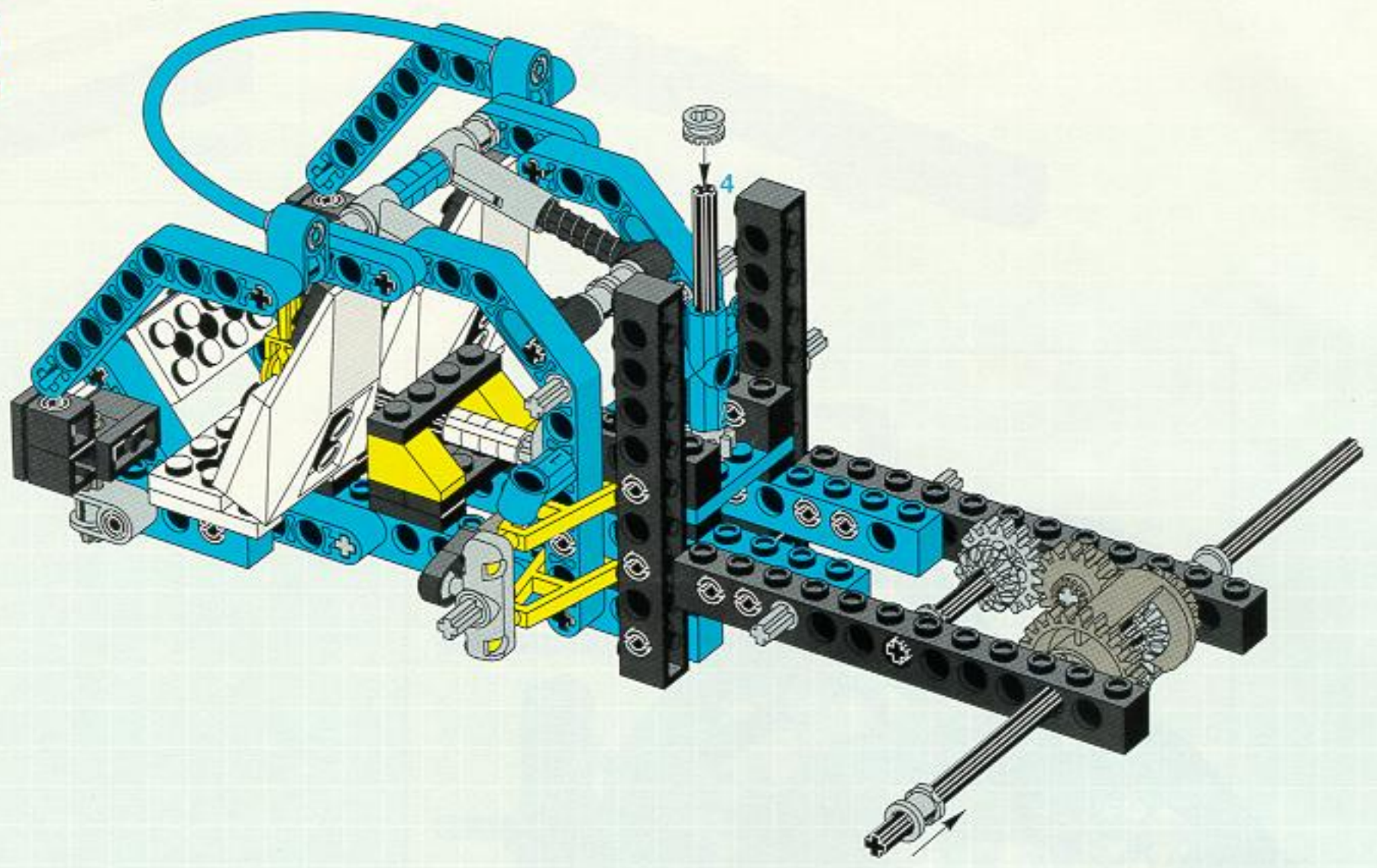




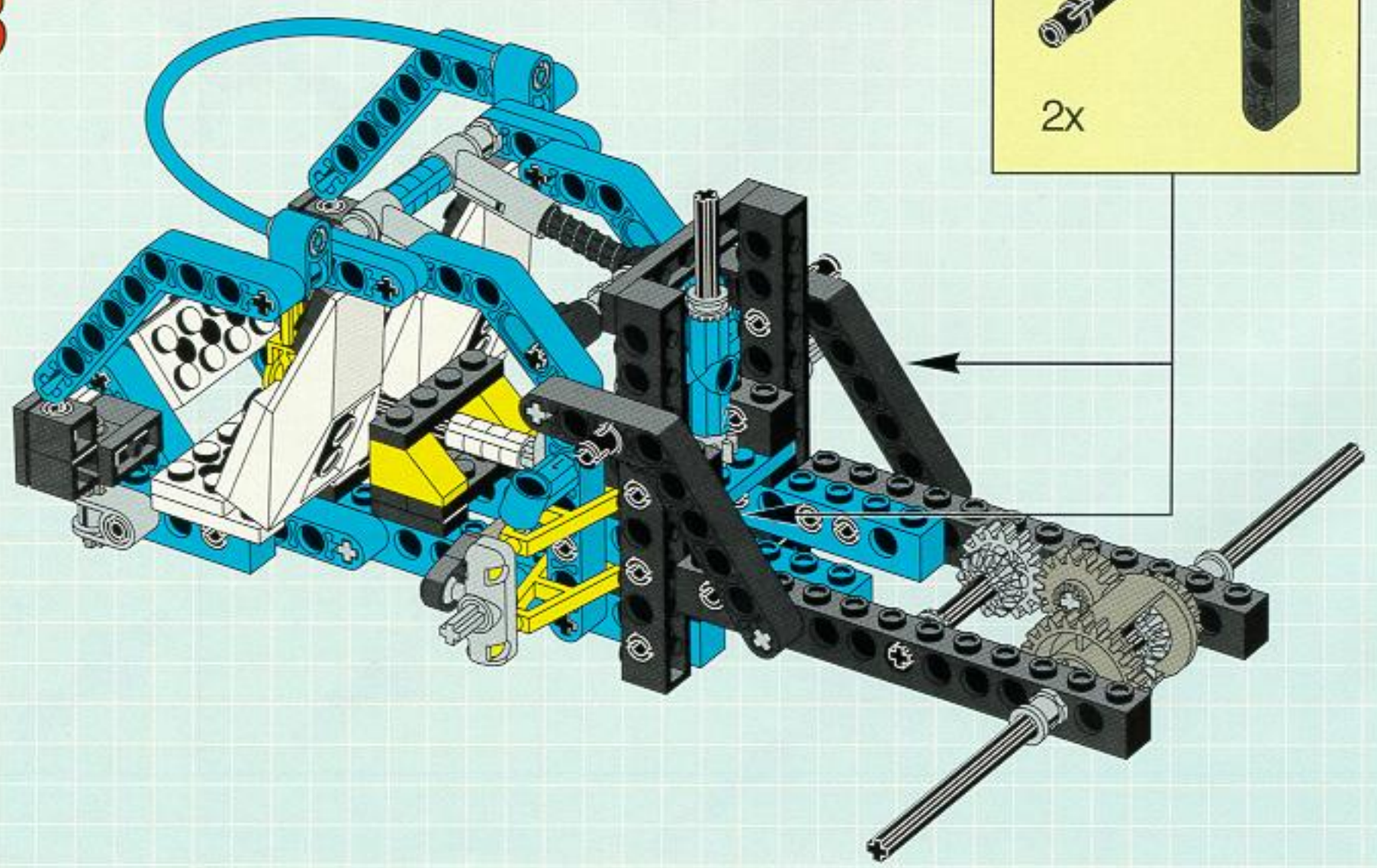
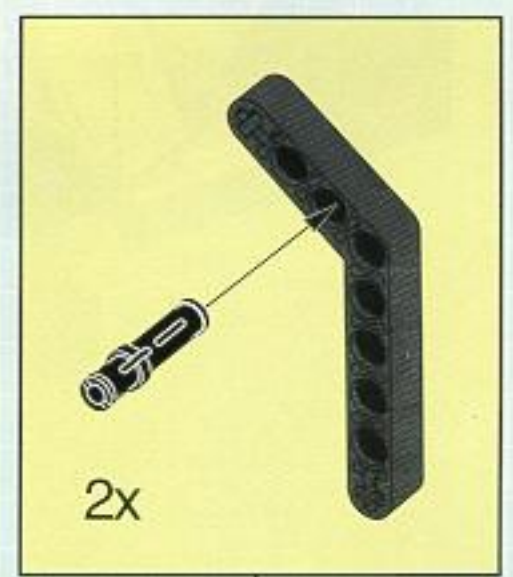


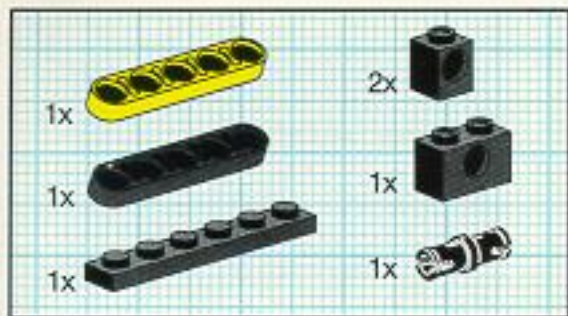


22

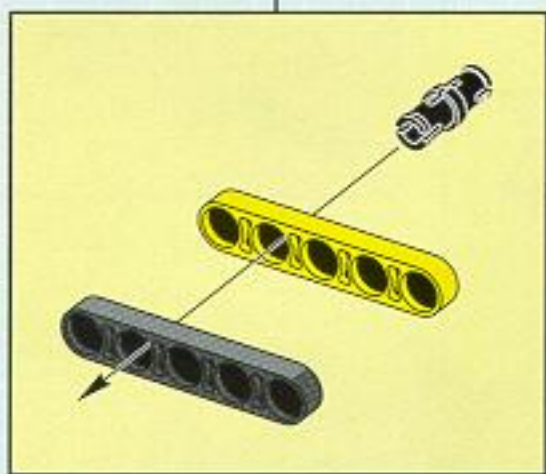
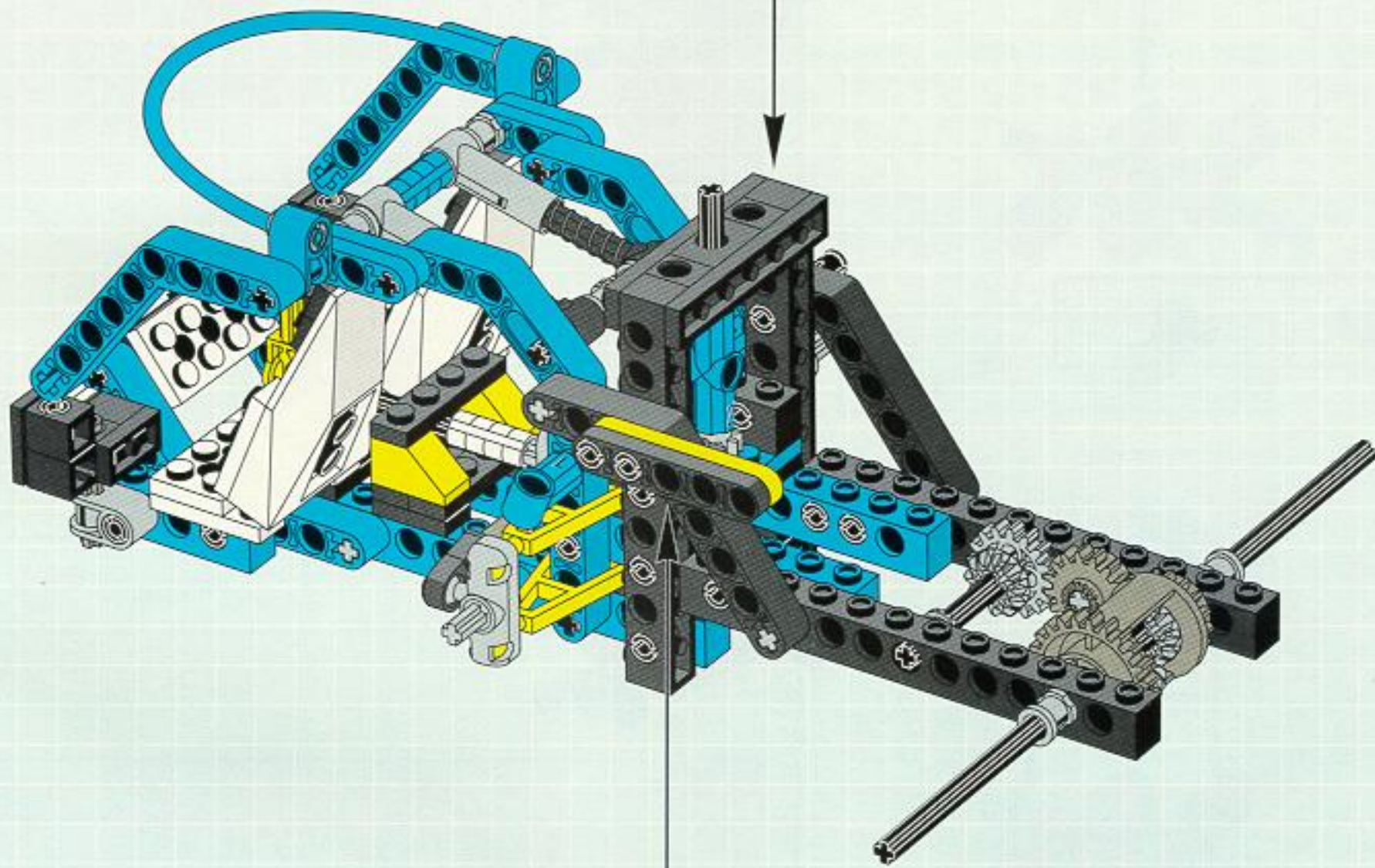
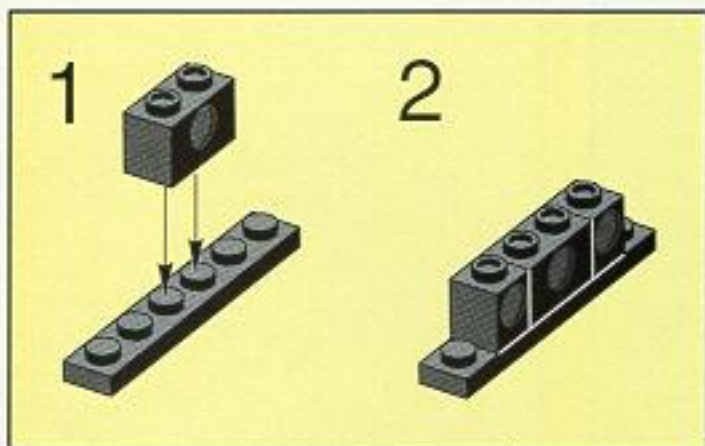


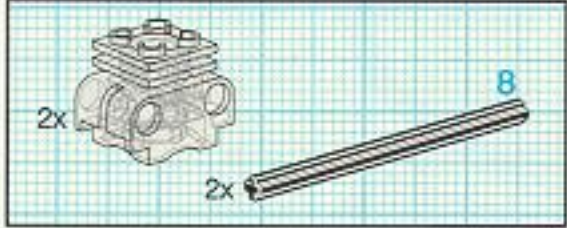
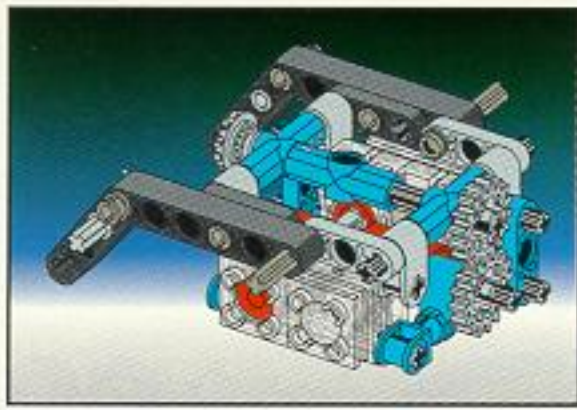
23



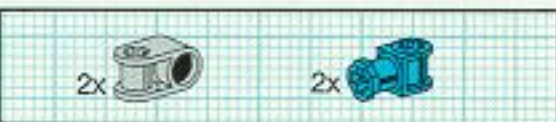
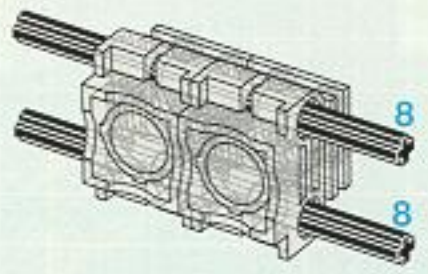


24

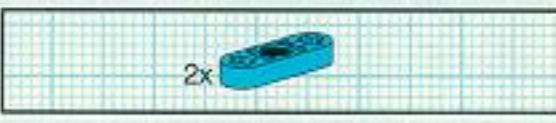
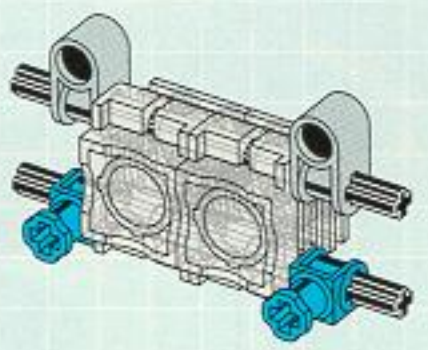




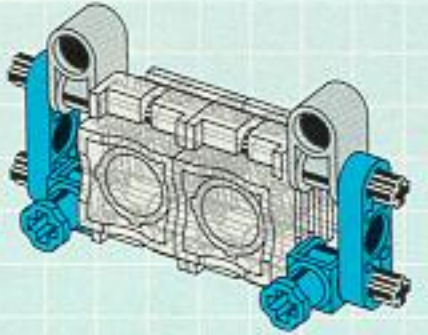
1

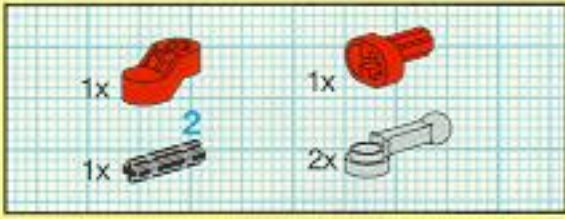
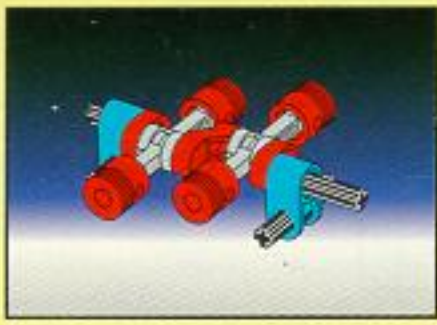


2

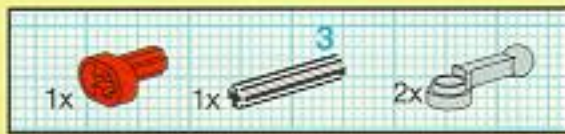
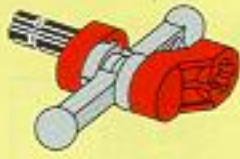
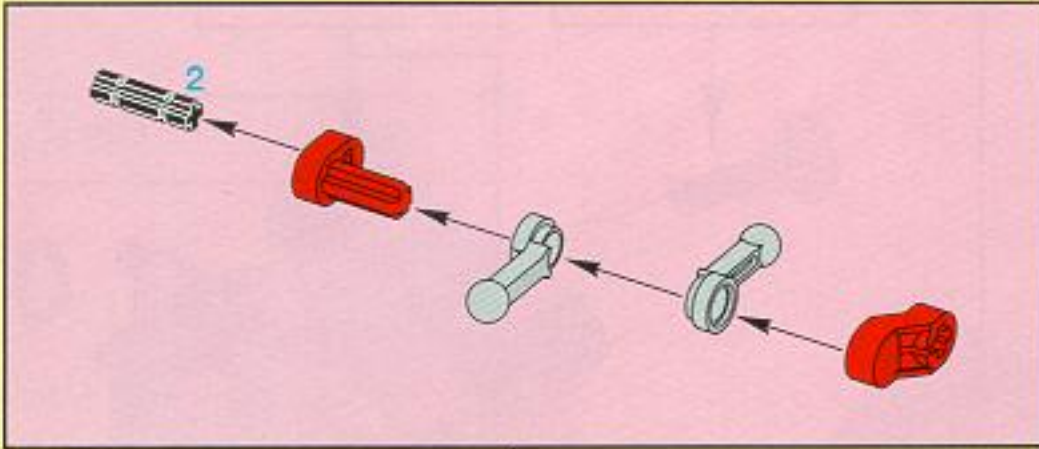


3

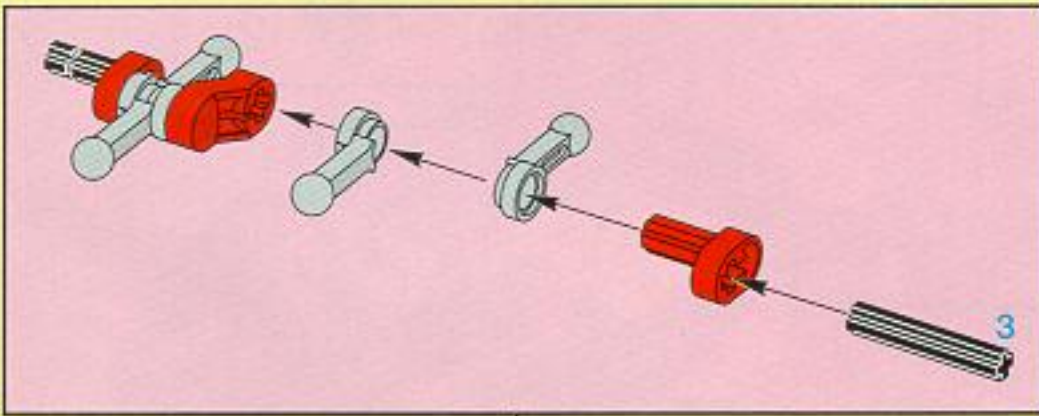




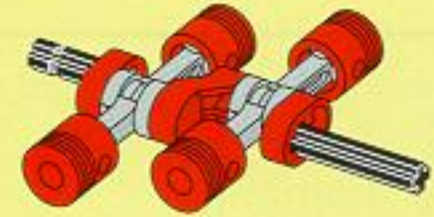
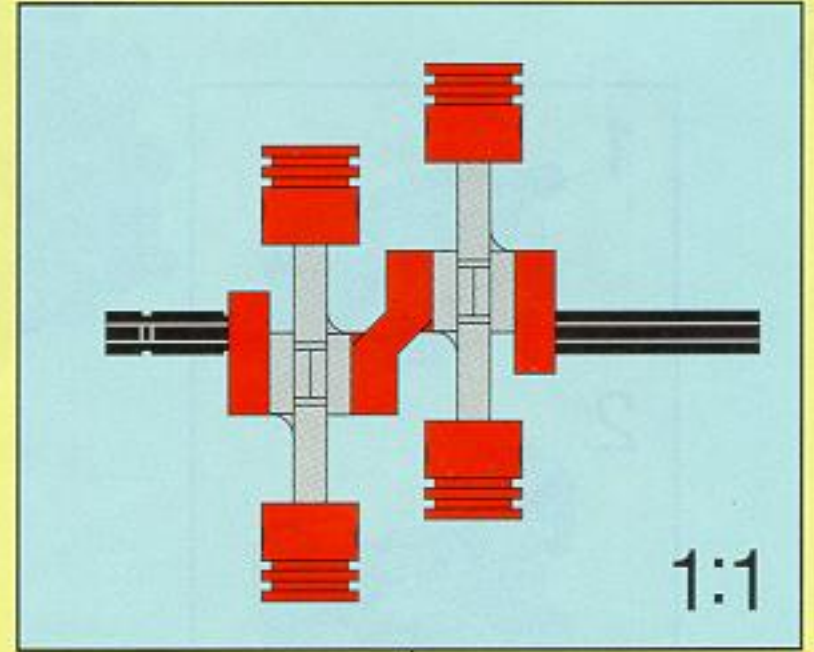
1



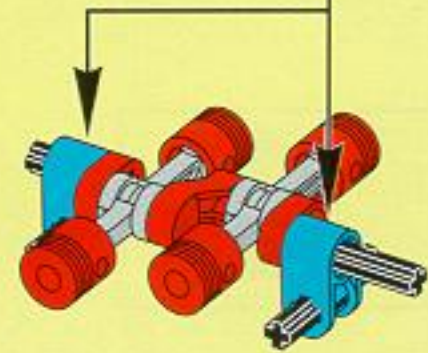
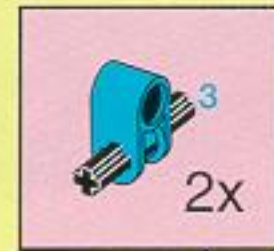
2



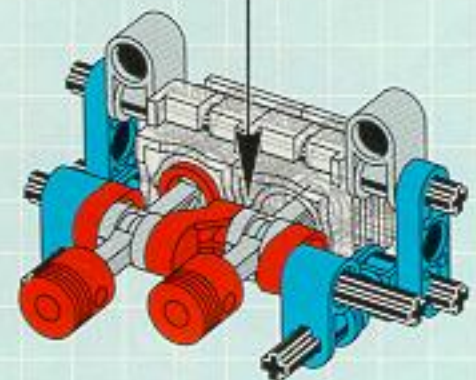
3

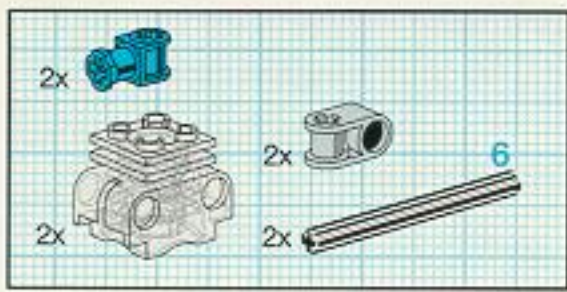


4

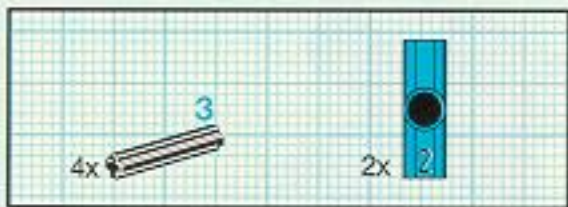
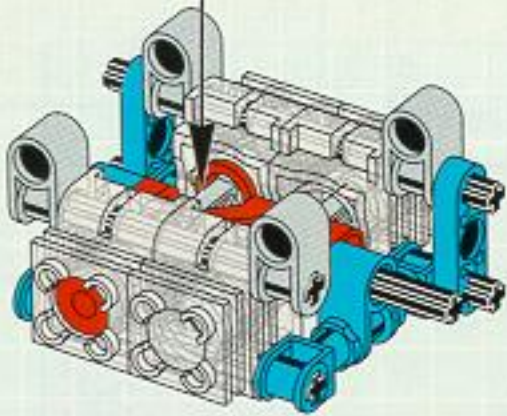
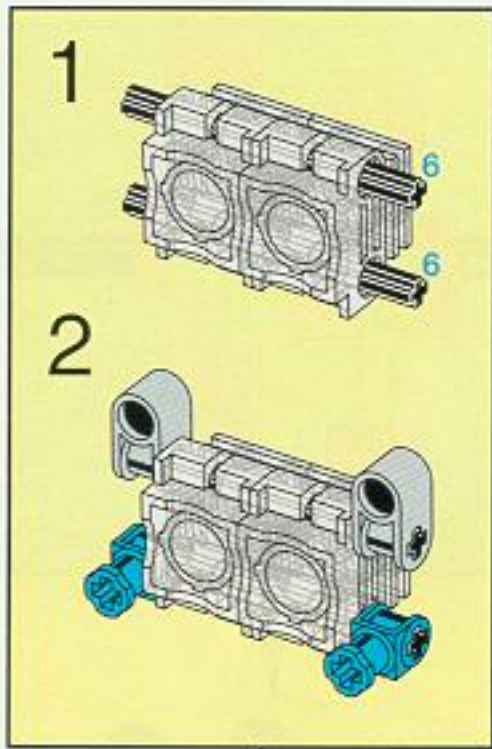


4

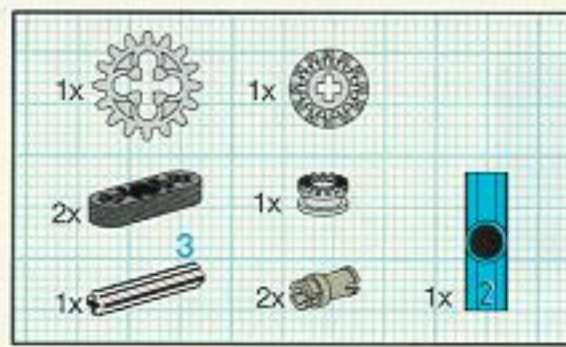
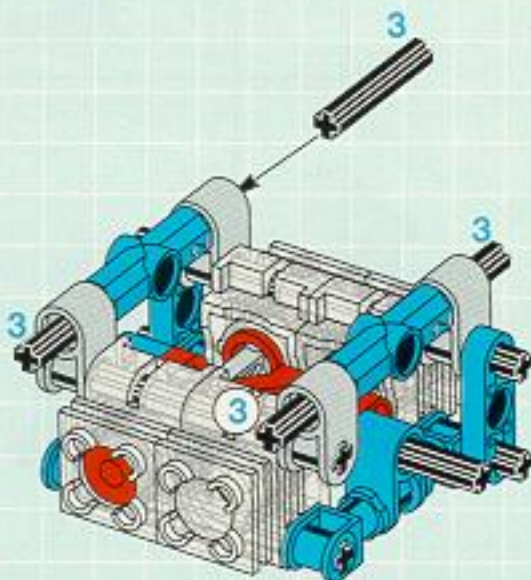




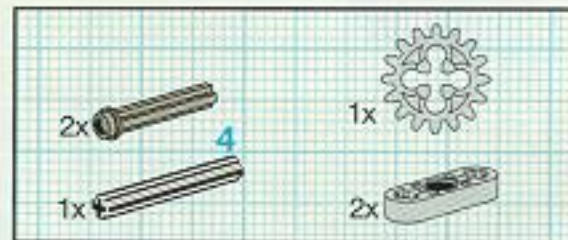
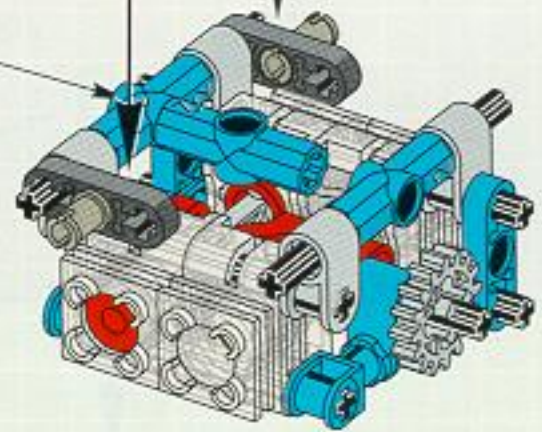
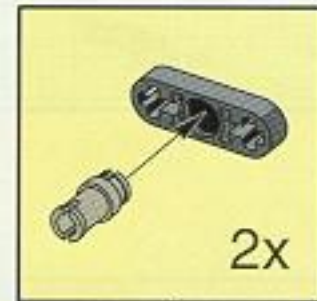
5



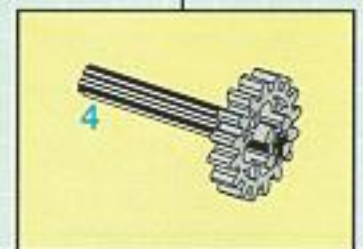
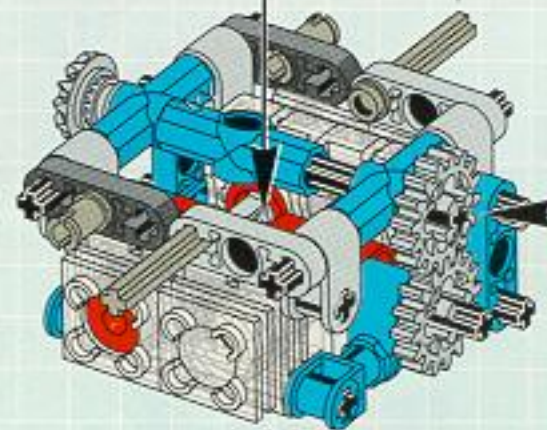
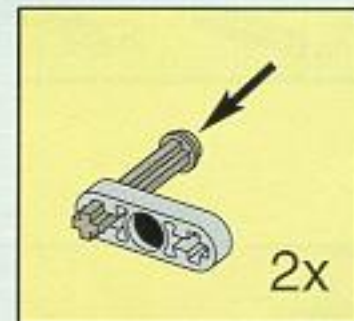
6



7



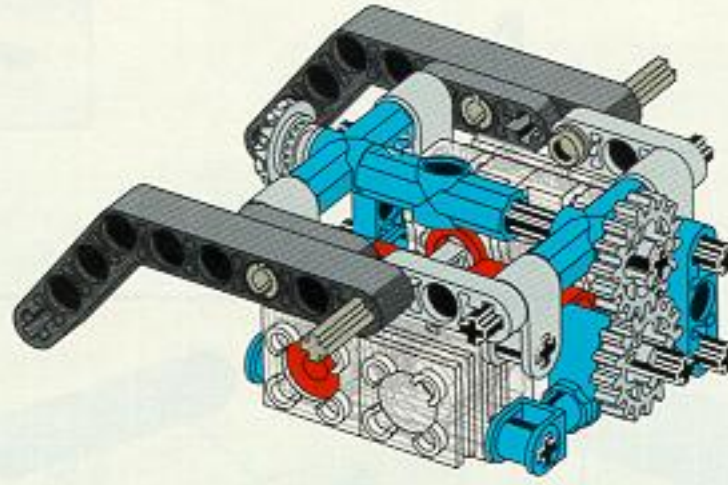
8



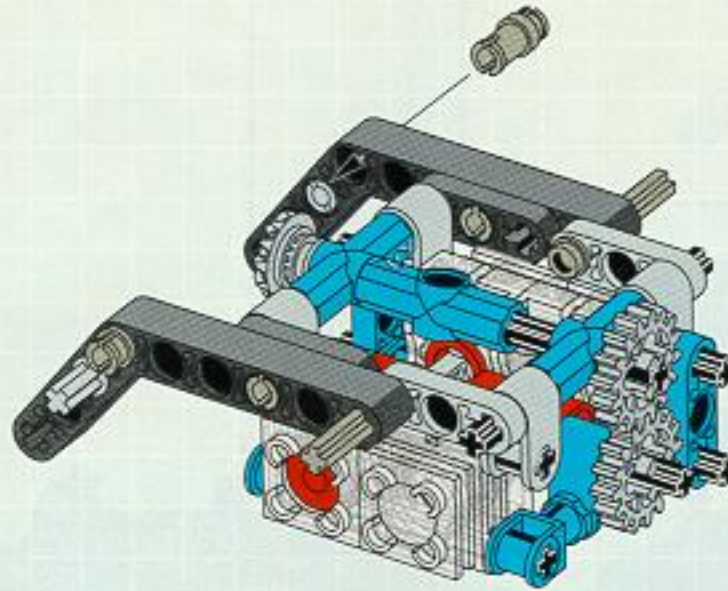




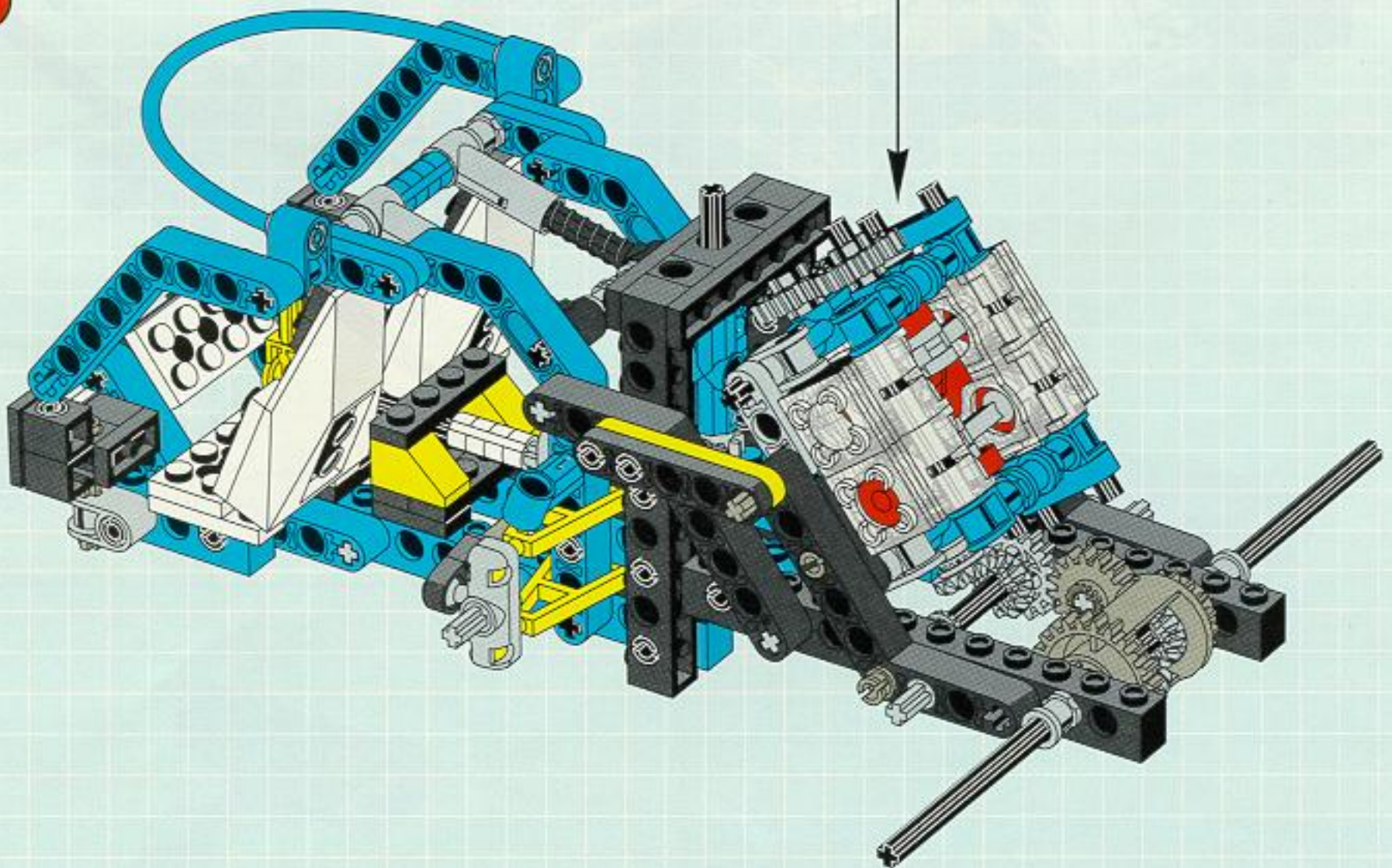
9

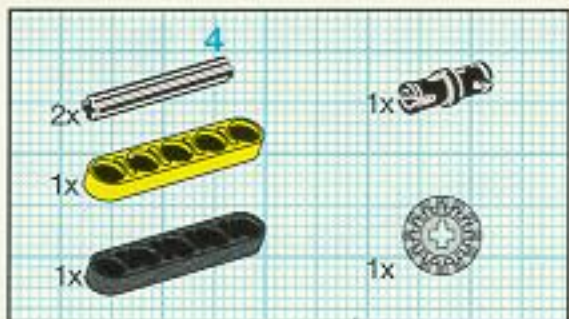


10

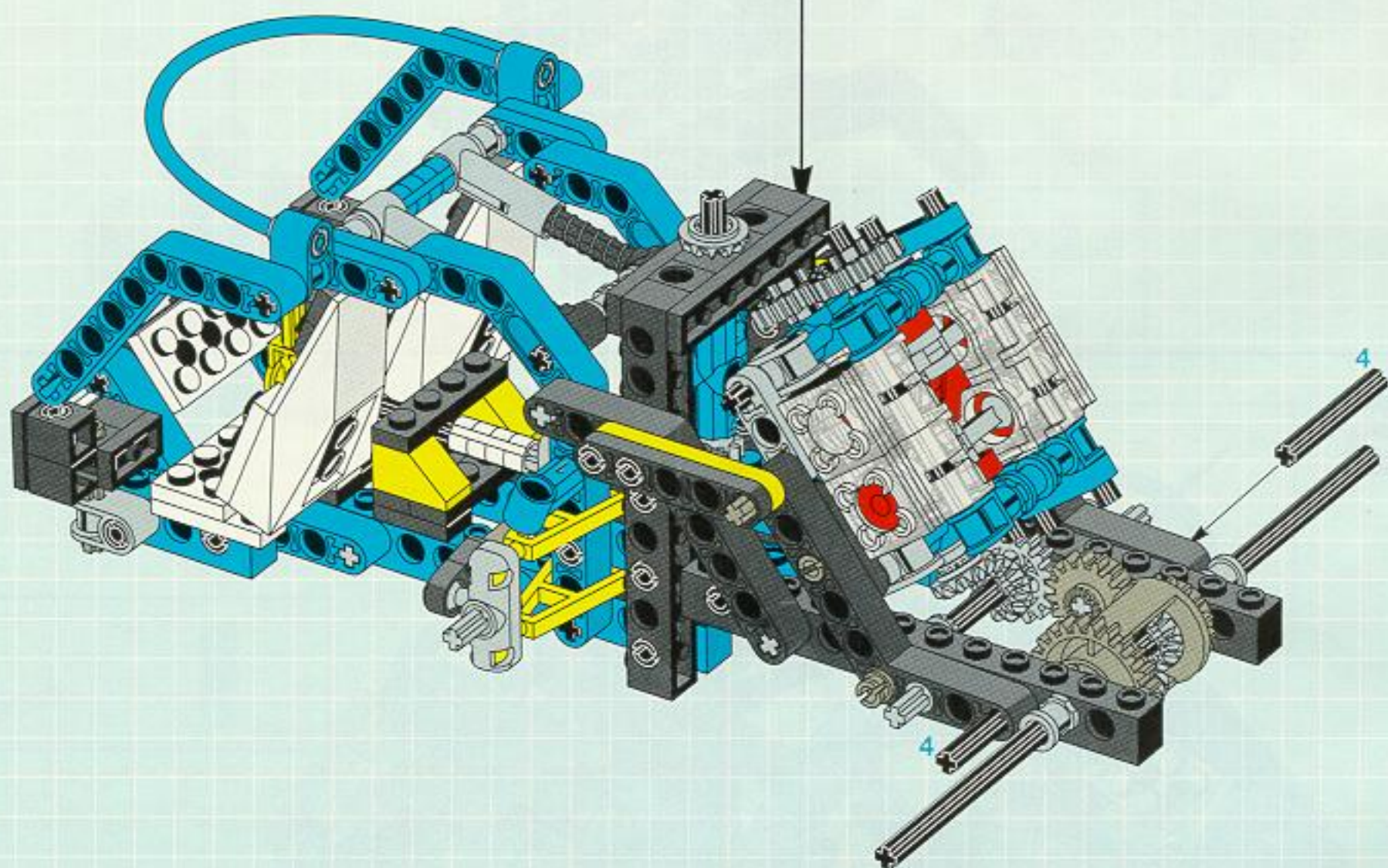
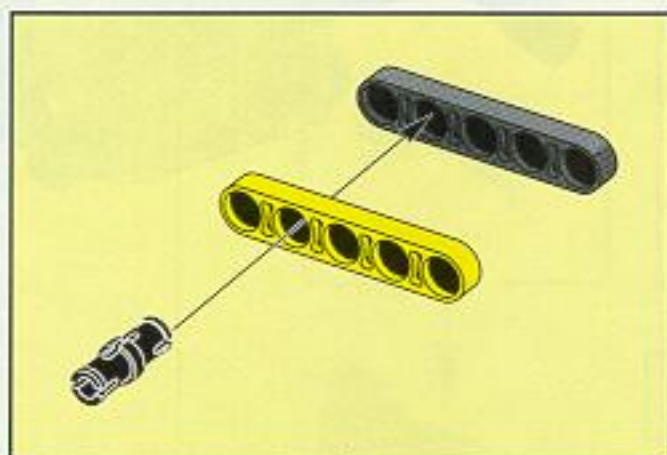


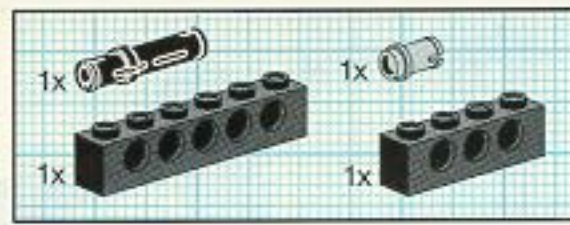
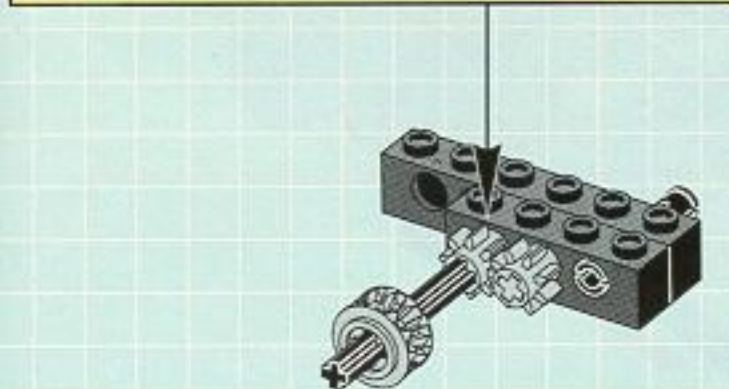
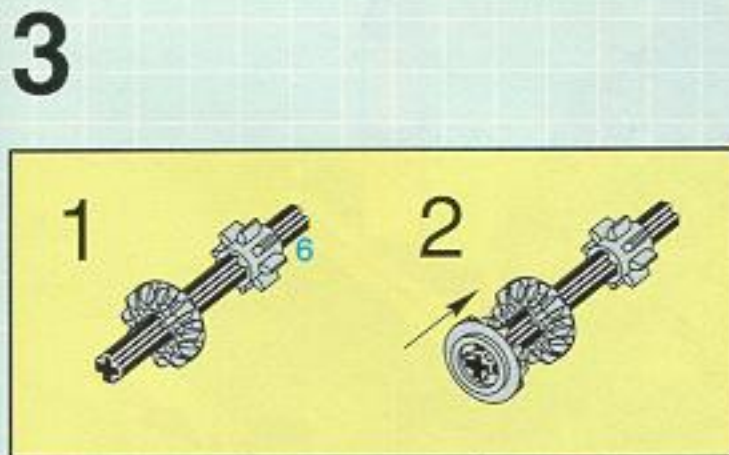
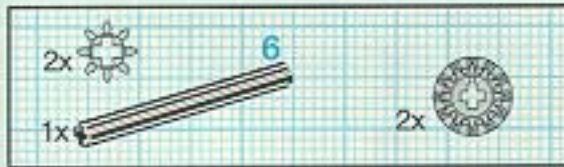
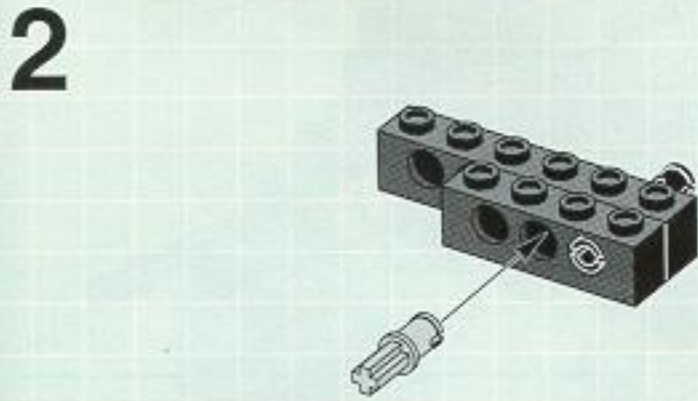
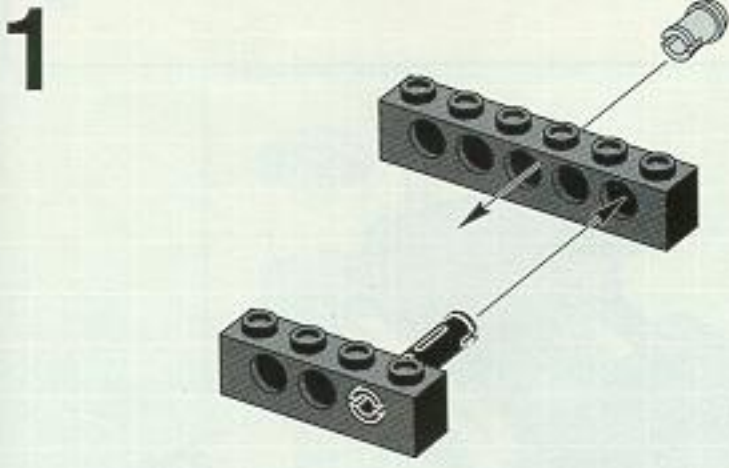
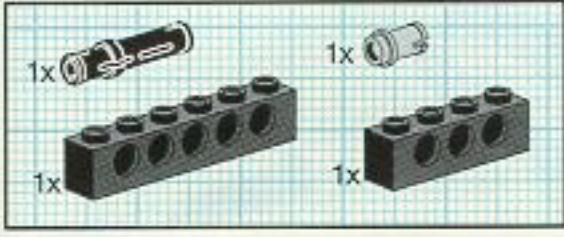
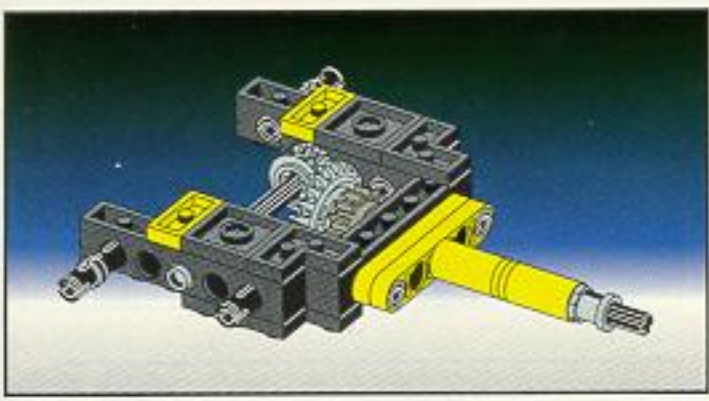
25



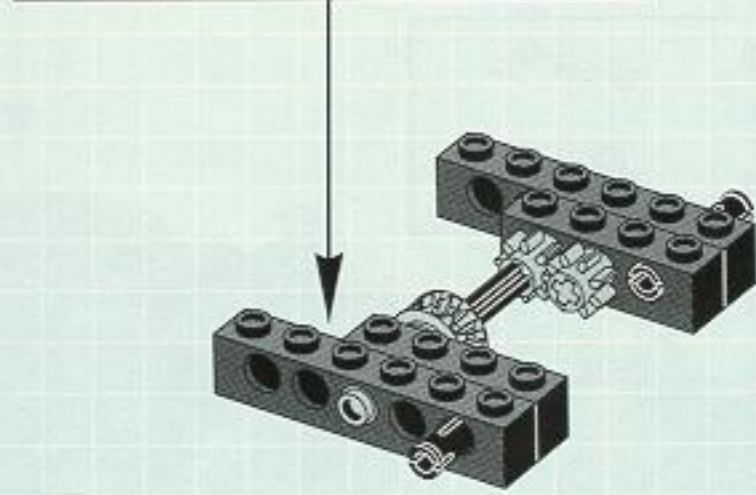
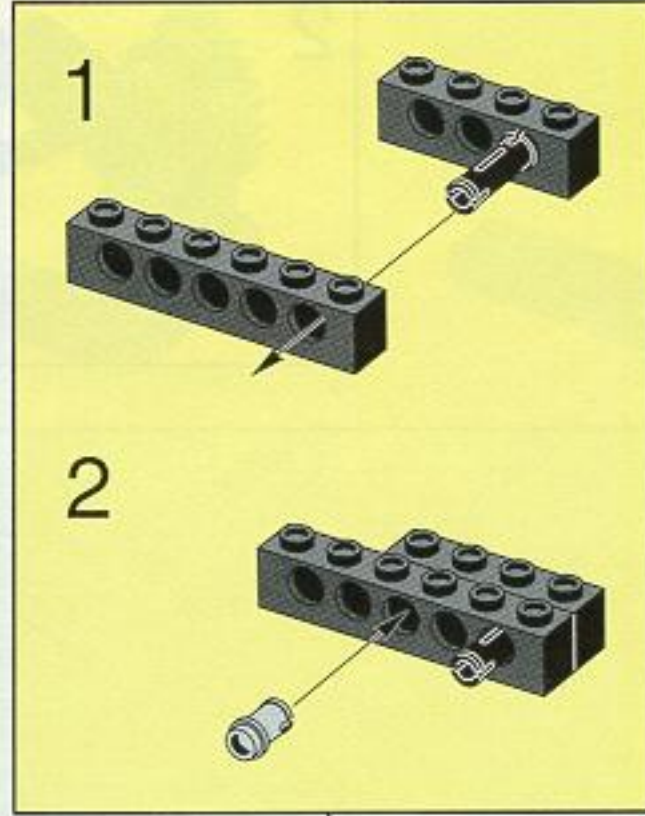


26

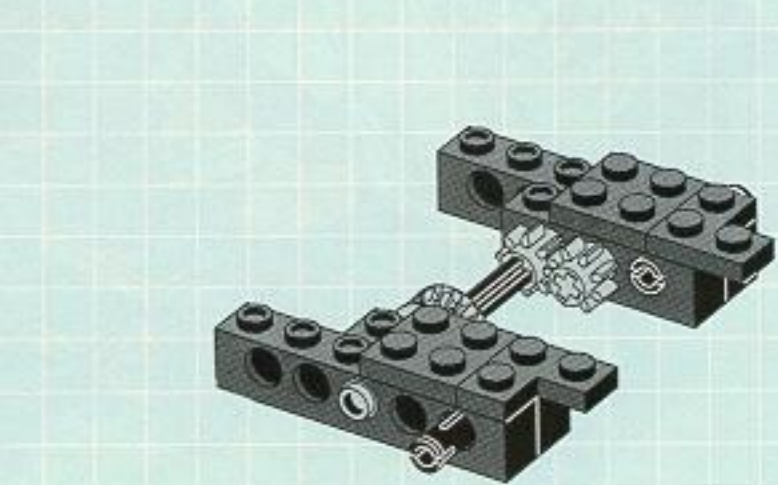


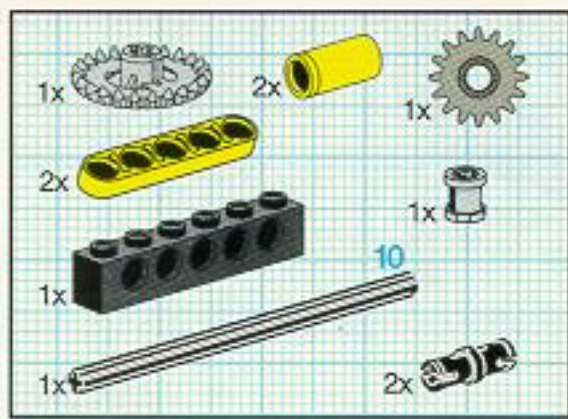


**4**

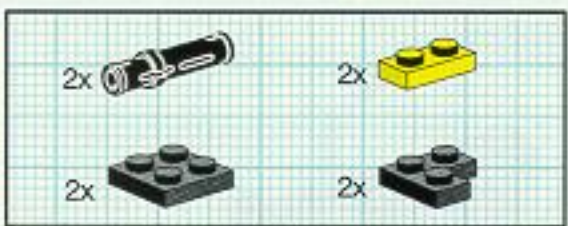
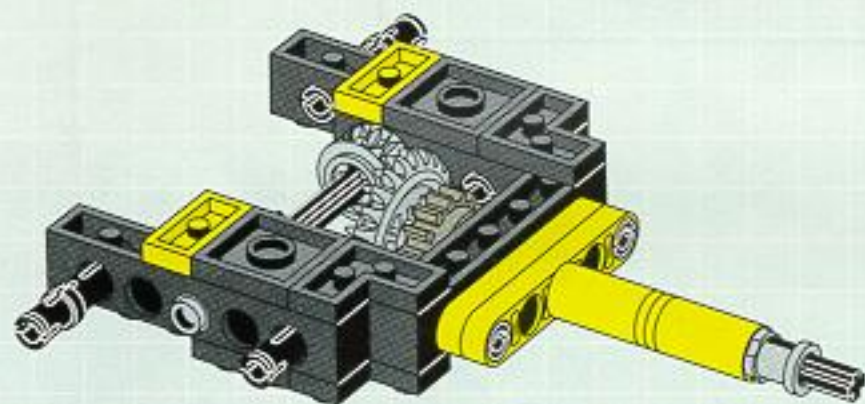
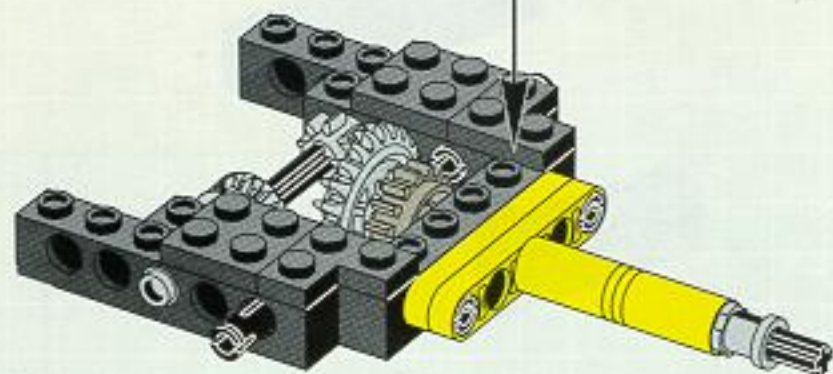
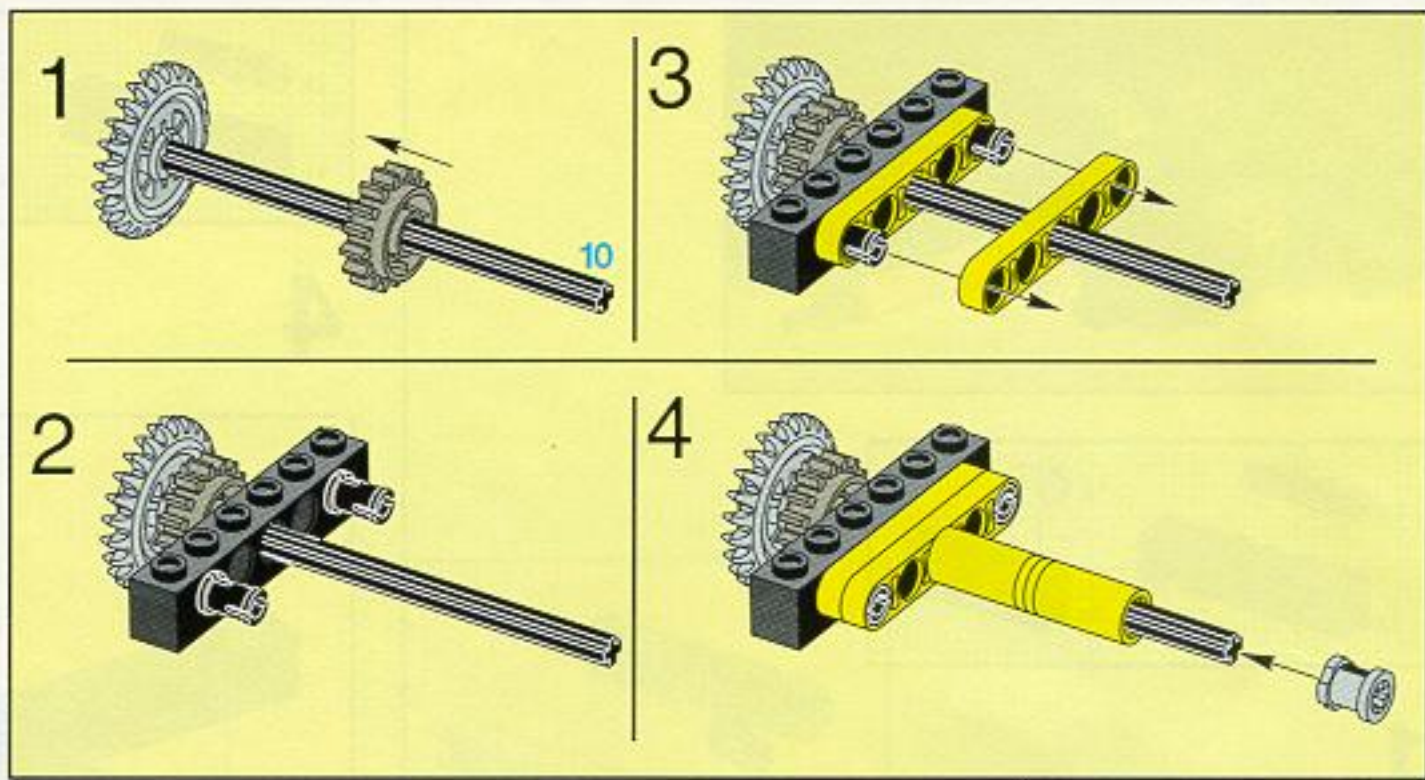


**5**



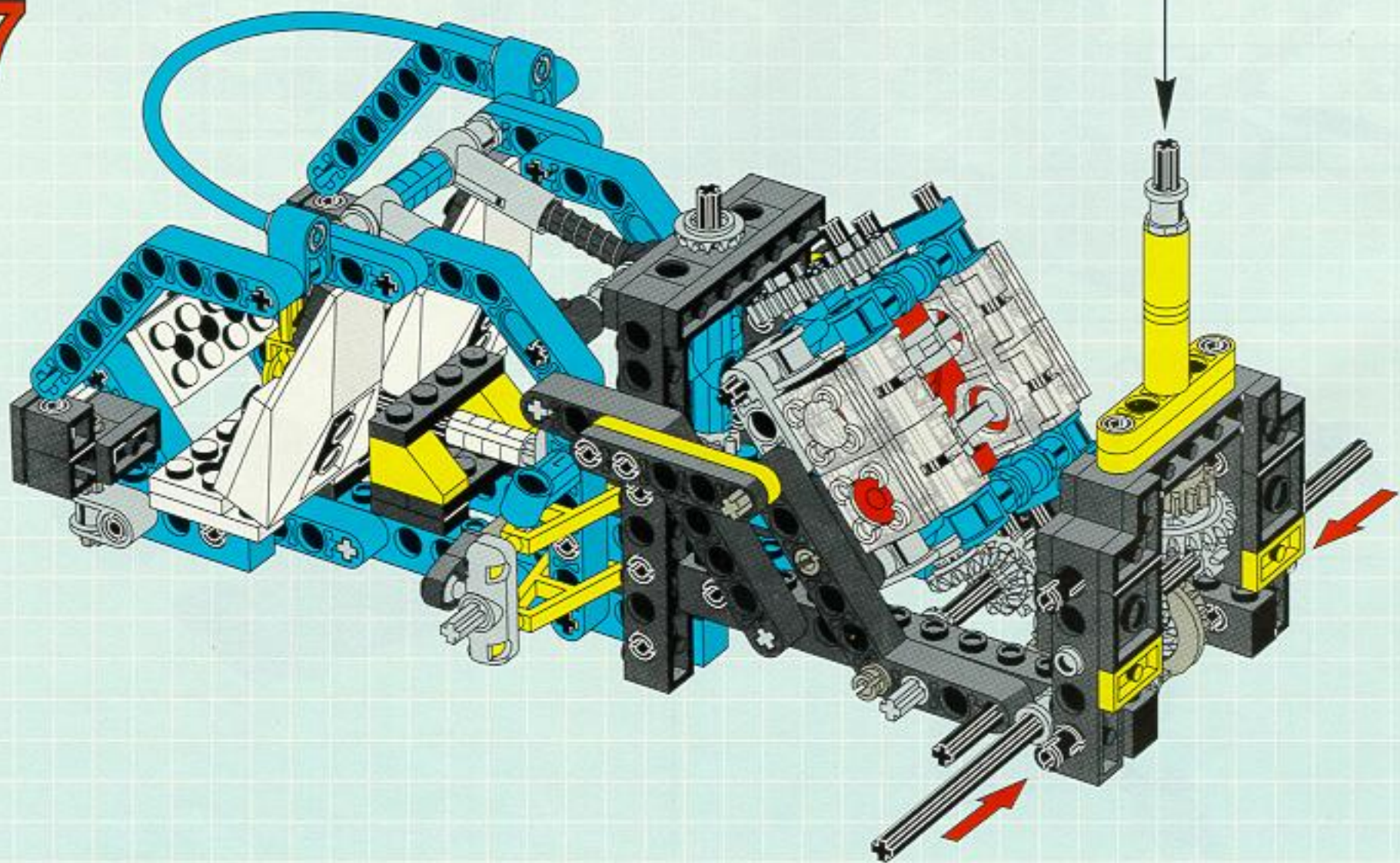


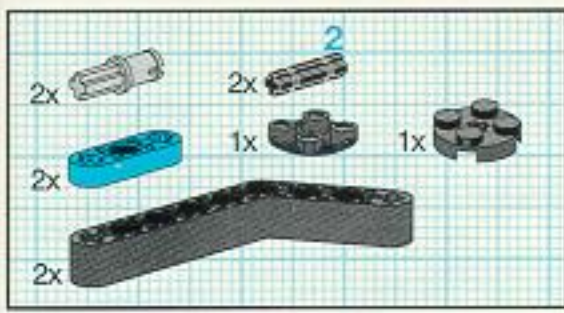
6



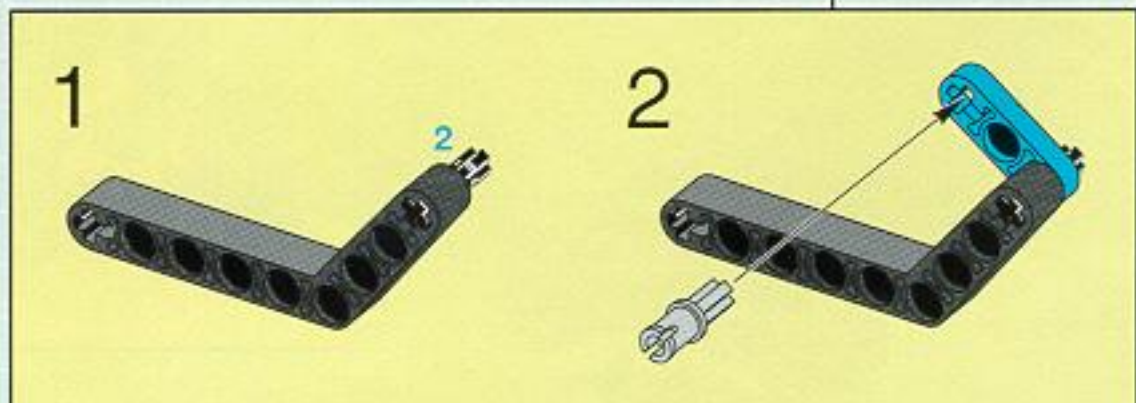
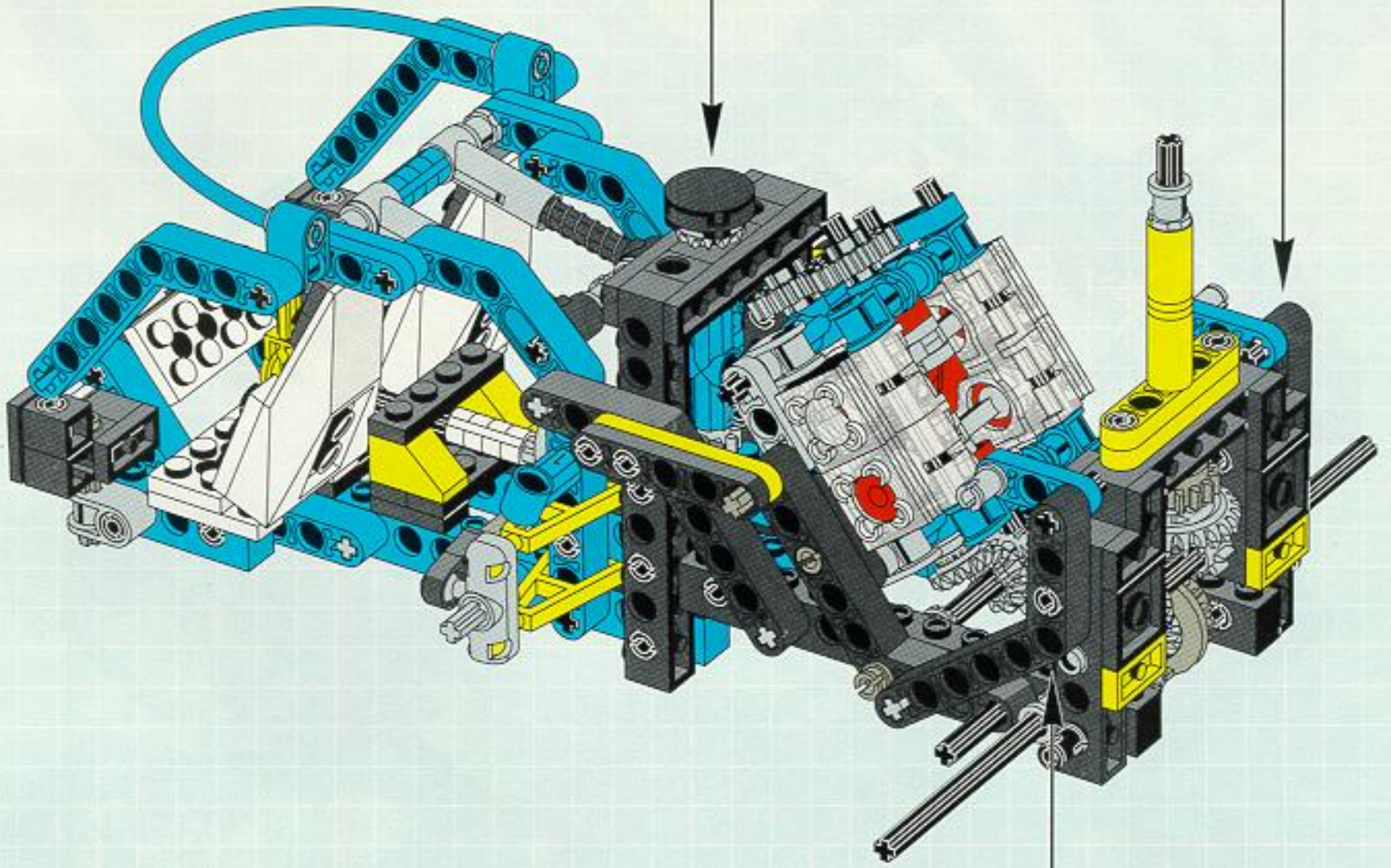
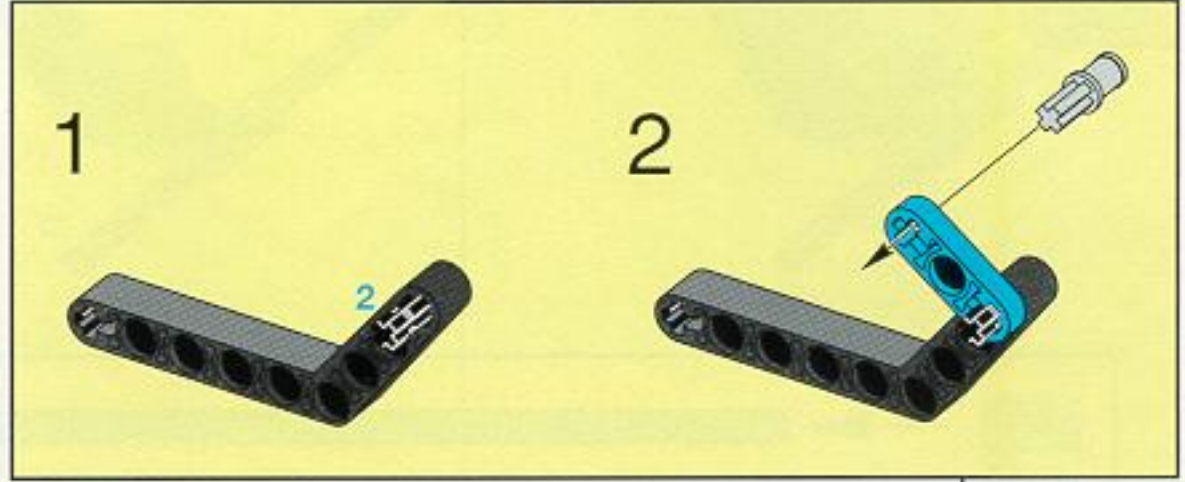
7

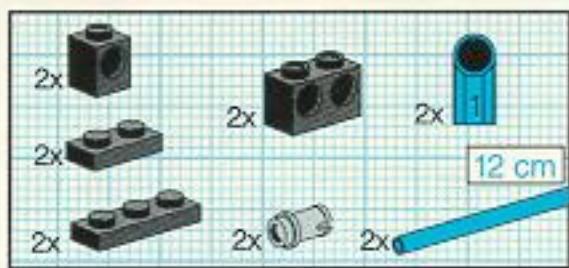
27



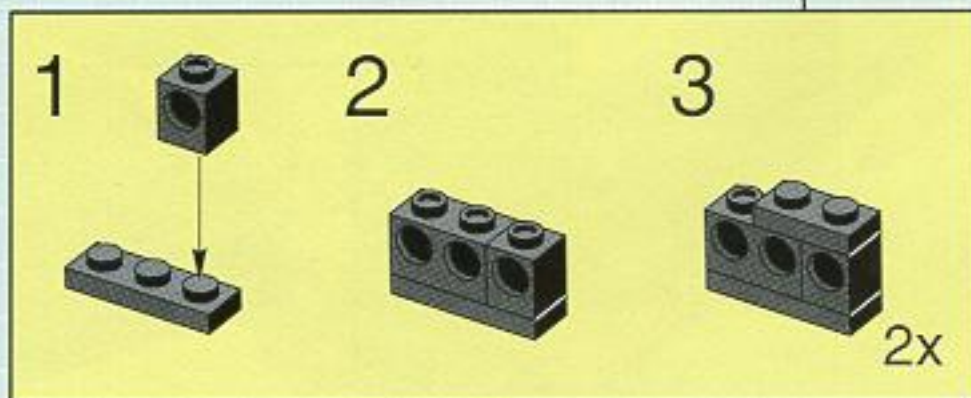
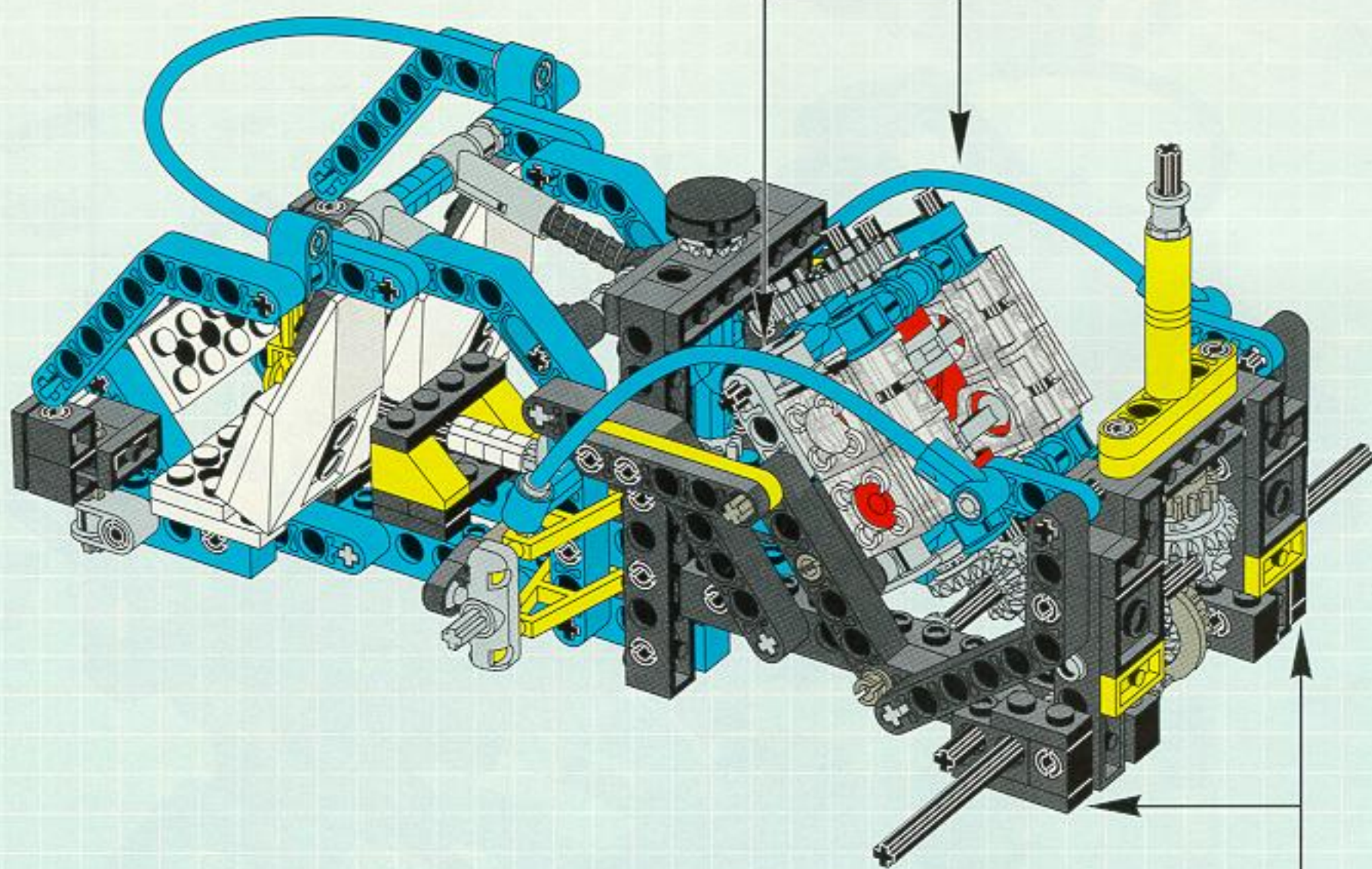
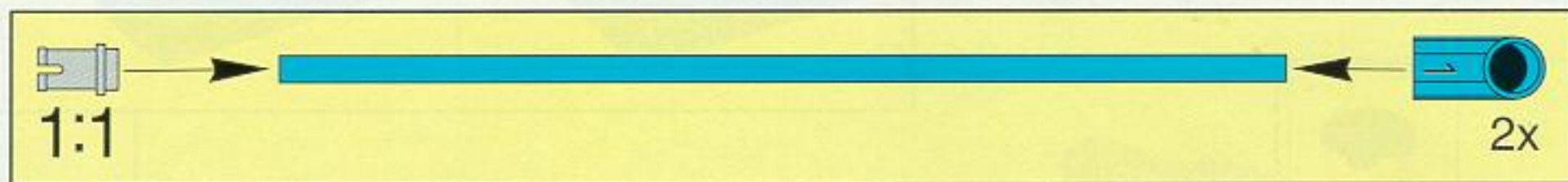


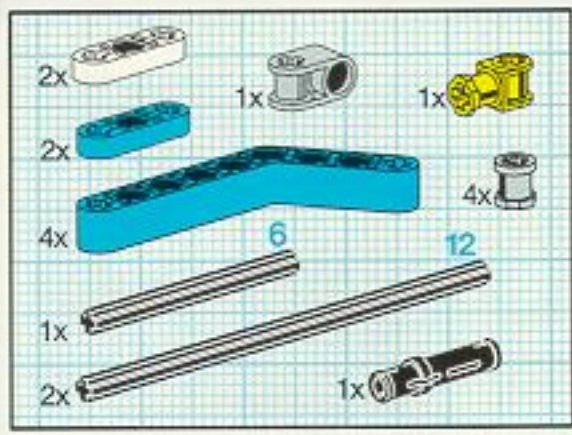
28



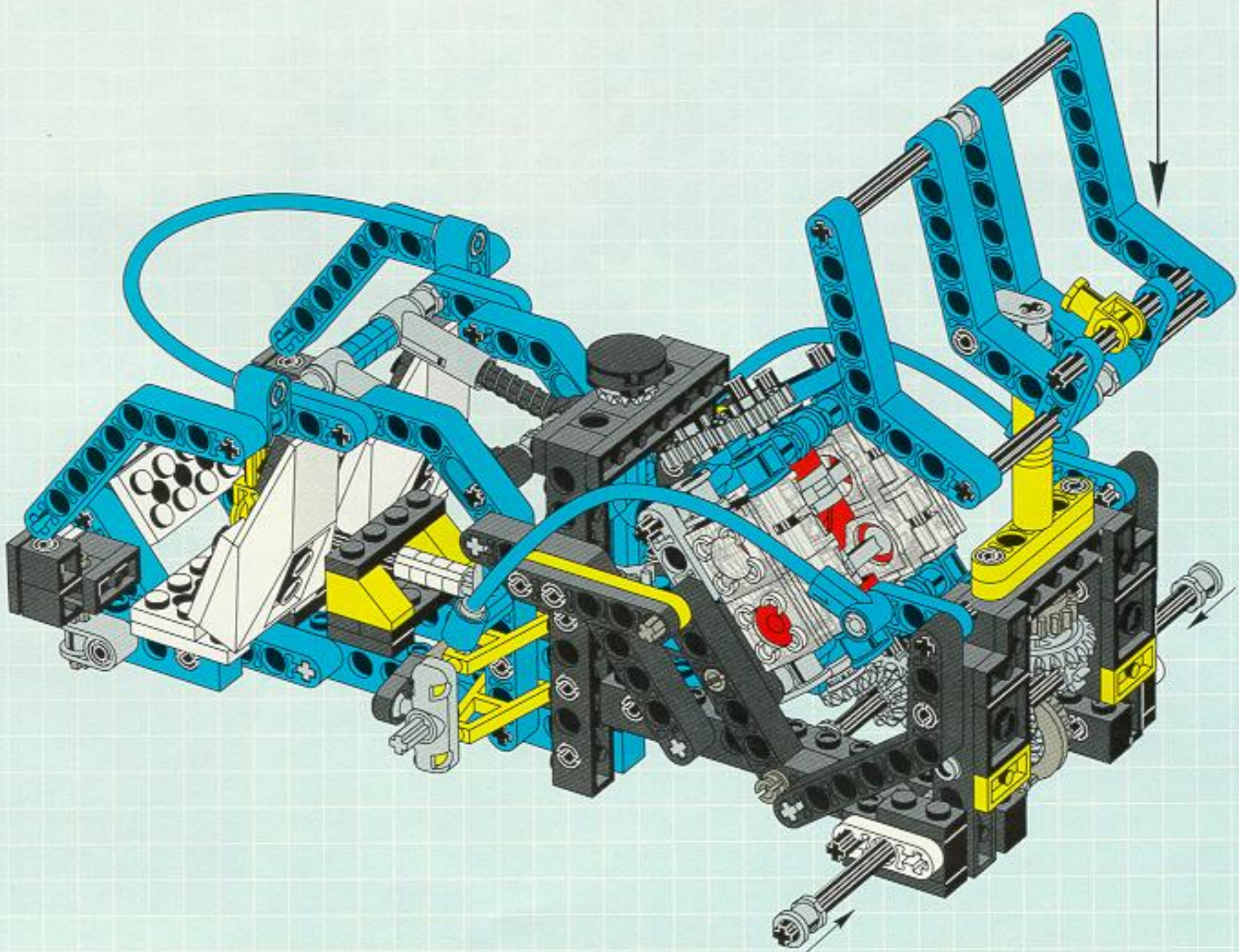
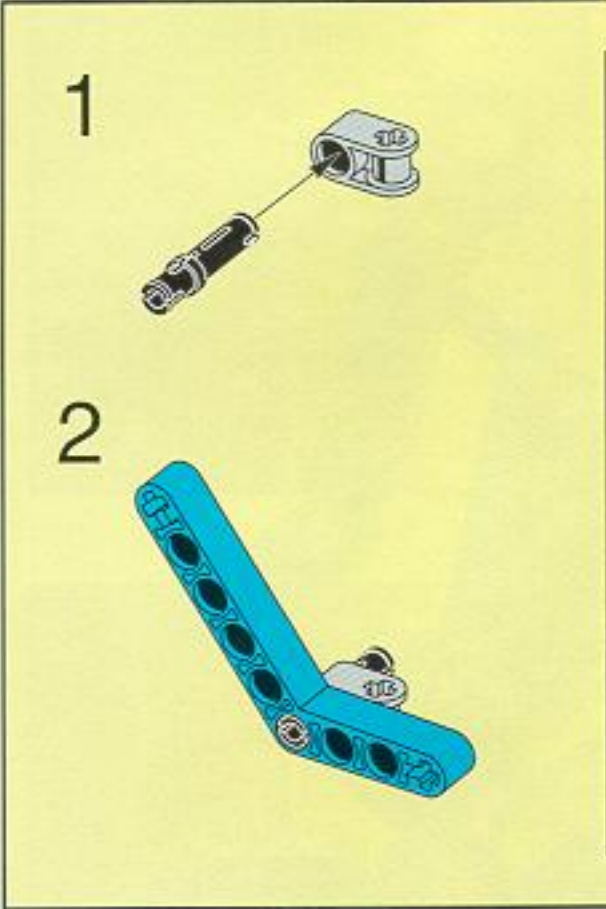
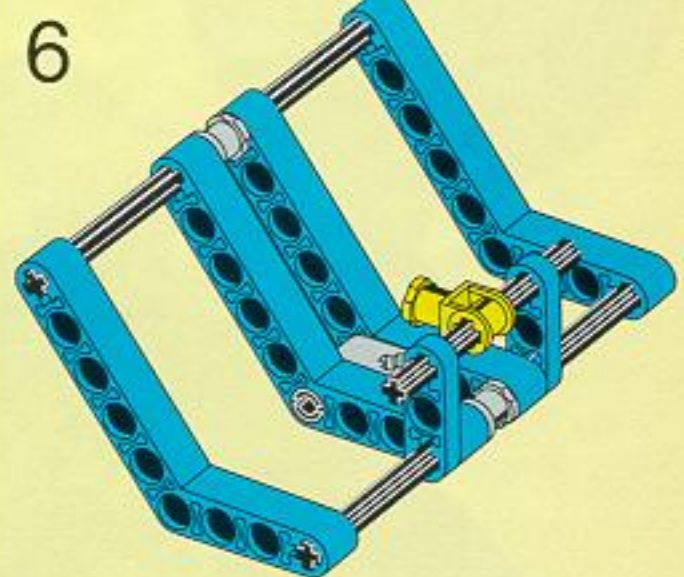
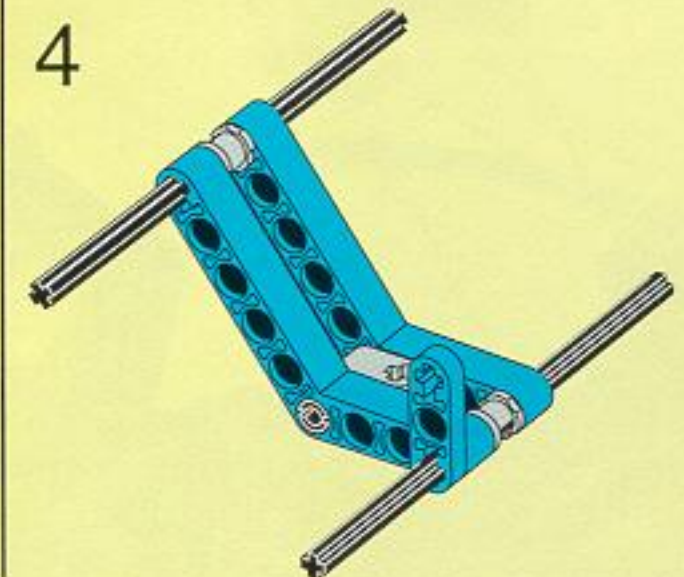
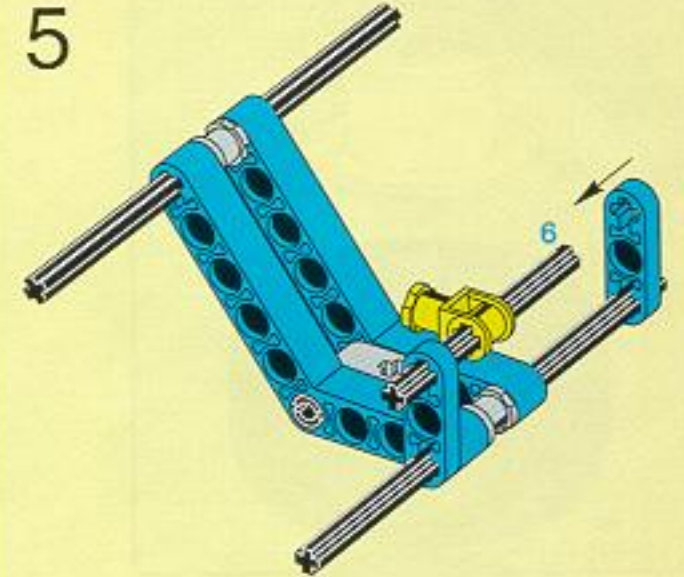
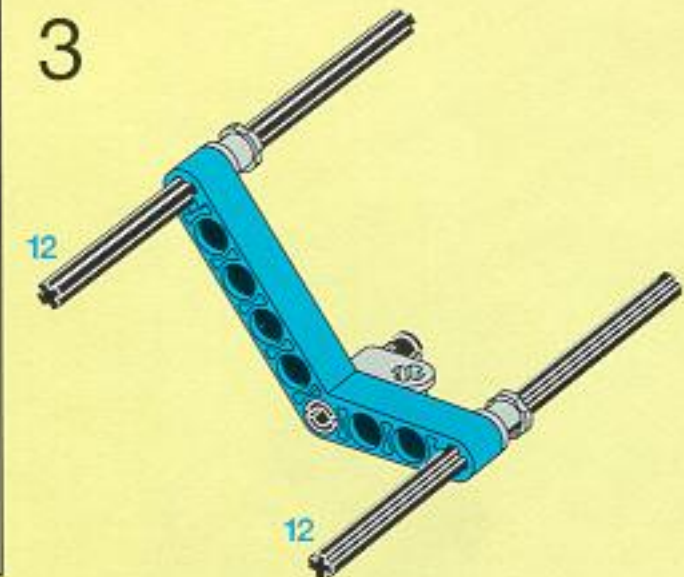


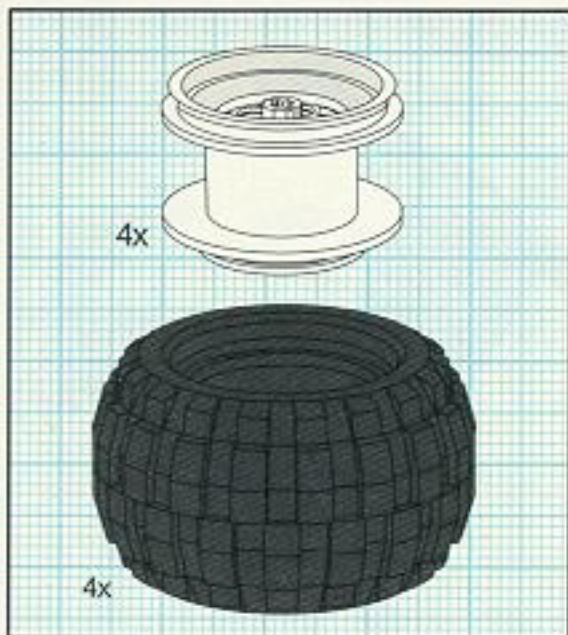
# 29



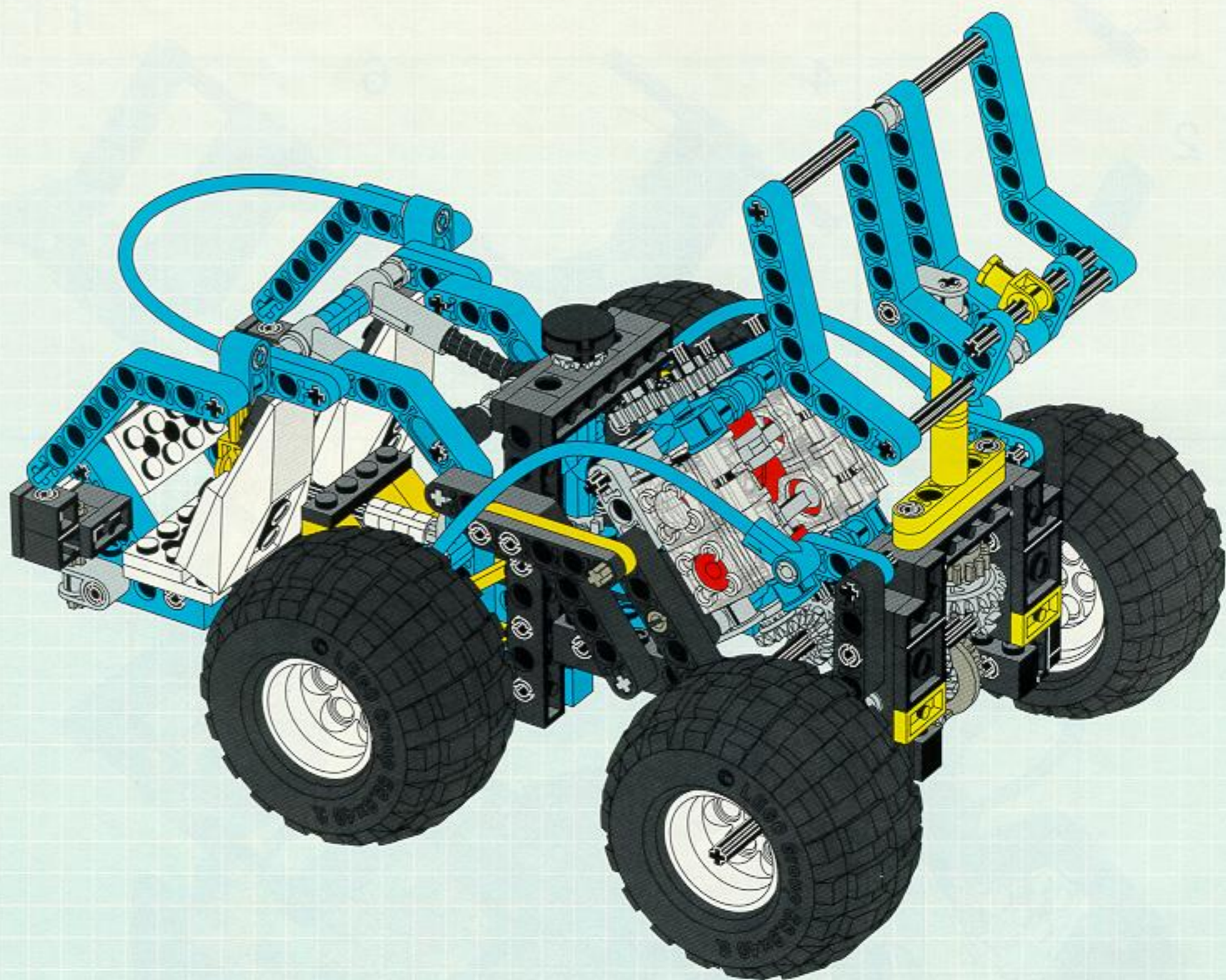


# 30





31



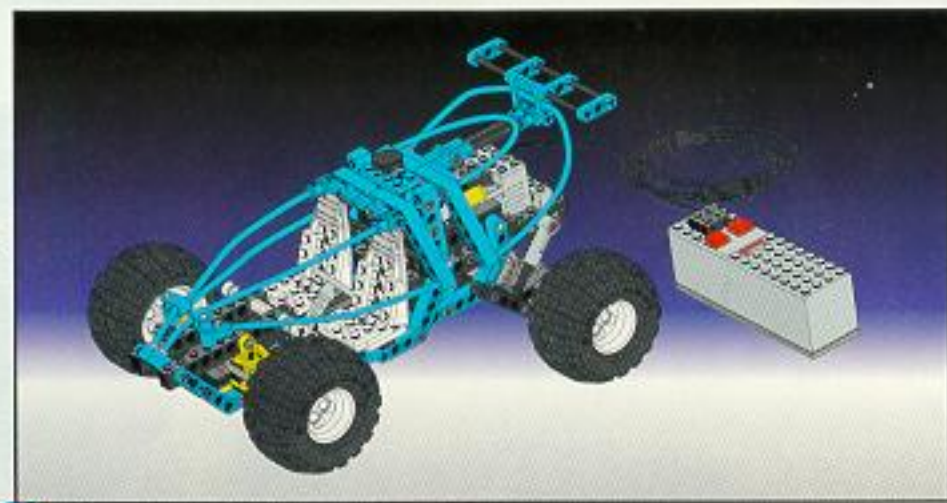




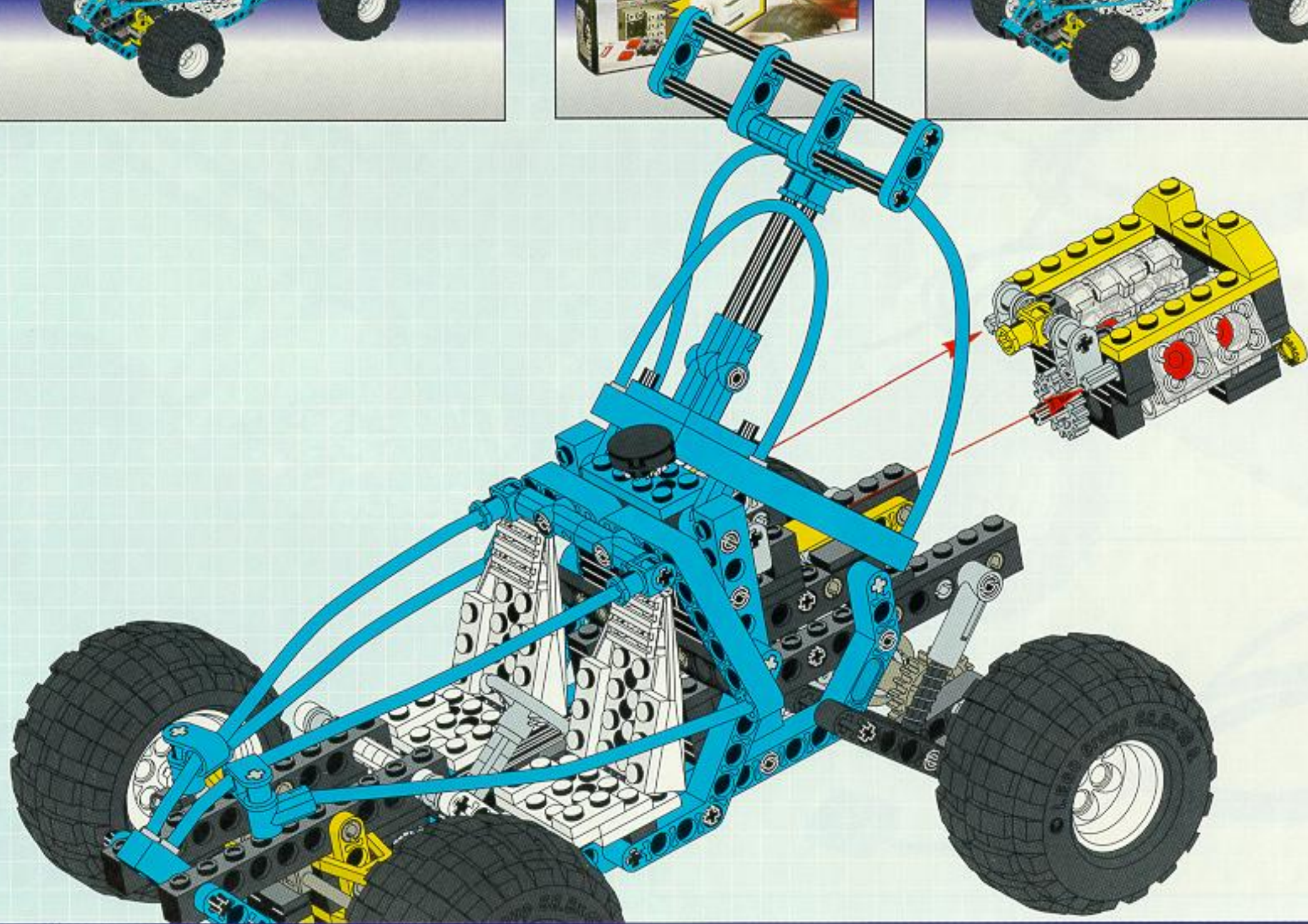
+

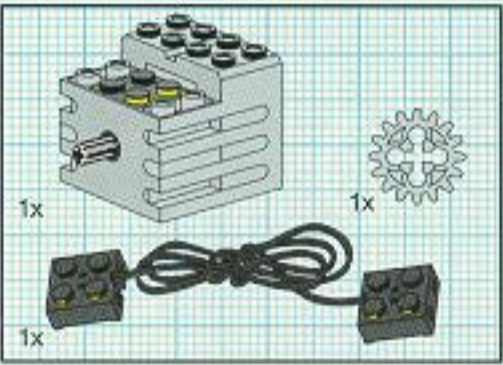


=

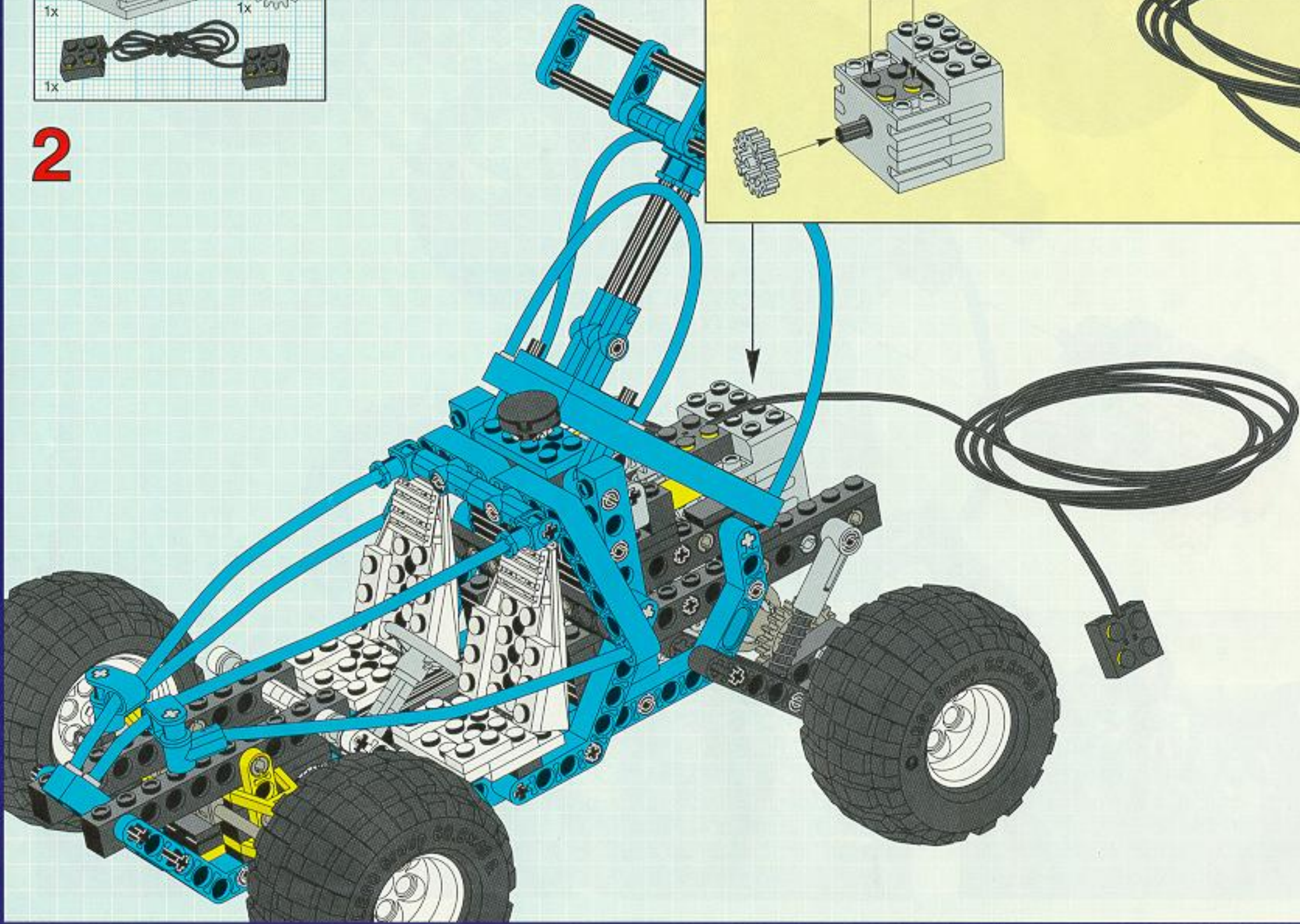
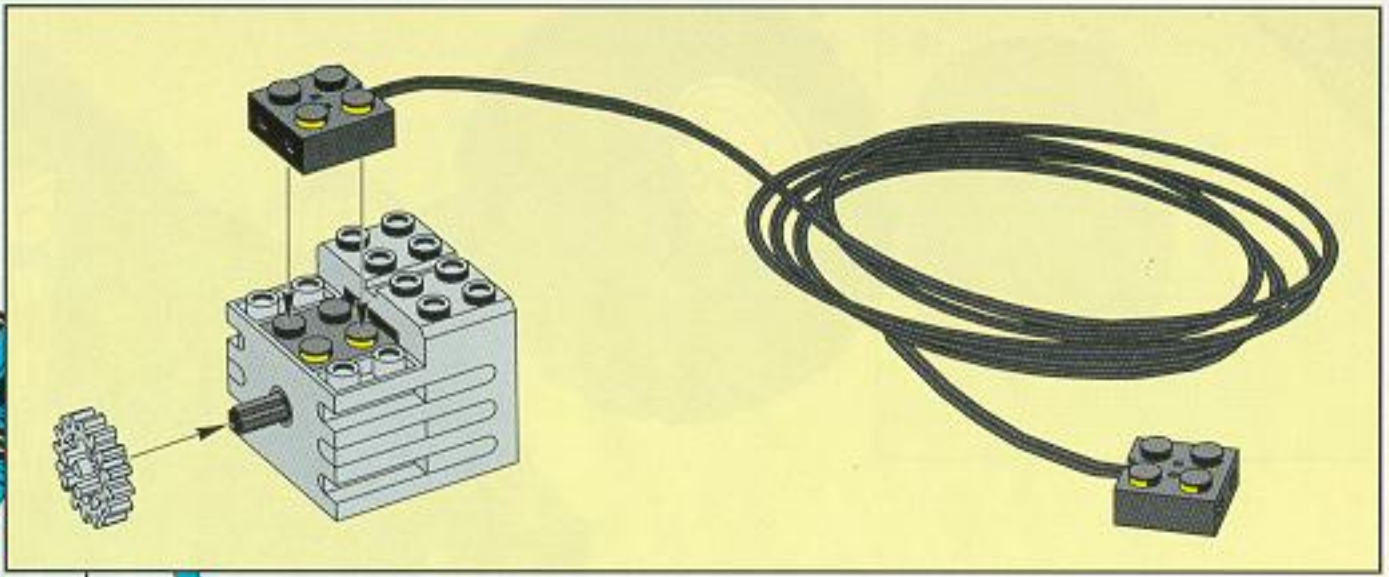


1





# 2





3

