



# TECHNIC™

42150





 **FR**  
**DONNEZ**  
OU  
**RECYCLEZ**

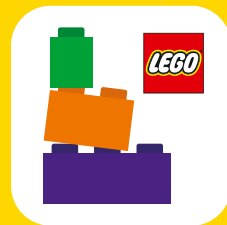
 OU  OU 

ASSOCIATION MAGASIN DÉCHÈTERIE

Adresses sur [quefairedemesdechets.fr](http://quefairedemesdechets.fr)



[LEGO.com/sustainable-packaging](https://LEGO.com/sustainable-packaging)



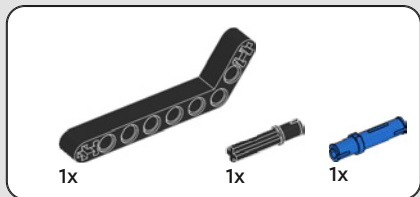
# BUILDER



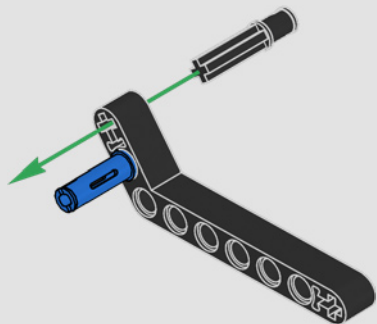
Apple and the Apple logo are trademarks of Apple Inc., registered in the U.S. and other countries and regions. App Store is a service mark of Apple Inc. Google Play and the Google Play logo are trademarks of Google LLC. Tencent and the Tencent logo are trademarks of Tencent Inc.

Q [LEGO.com/devicecheck](https://www.lego.com/devicecheck)

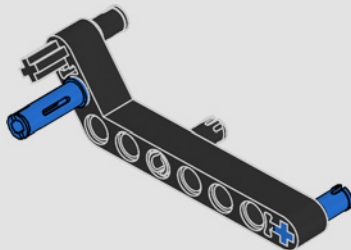
**EN** Ask parents' permission before going online | **DE** Eltern um Erlaubnis bitten, bevor du online gehst | **FR** Demande l'autorisation d'un parent avant d'aller en ligne | **IT** Chiedi il permesso ai tuoi genitori prima di andare online | **ES** Pídeles permiso a tus papás antes de conectarte a Internet | **PT** Pede autorização aos pais antes de acederes online | **JA** オンラインになる前に ほか者の方のきよかをもらおう | **ZH** 上网前应先征得父母的同意 | **KO** 온라인 접속 전에 보호자 동의가 필요합니다 | **RU** Спроси разрешения у родителей, прежде чем заходить в интернет | **PL** Poproś rodziców o zgodę, zanim wejdziesz do Internetu | **CS** Než půjdeš na internet, požádej rodiče o svolení | **SK** Skôr než pôjdeš na internet, vypýtaj si povolenie od rodičov | **HU** Kérj szülői engedélyt, mielőtt online csatlakoznál! | **RO** Cere permisiunea părinților înainte de a te conecta online | **BG** Поискайте разрешение от родител, преди да влезете онлайн | **LV** Pirms došanās tiešsaistē palūdz atļauju vecākiem | **ET** Enne Interneti kasutamist küsi vanematelt luba | **LT** Prieš prisijungdami prie interneto, atsklauskite tėvų



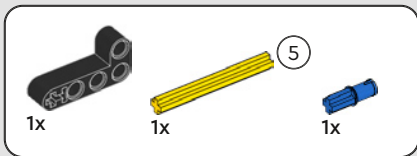
1



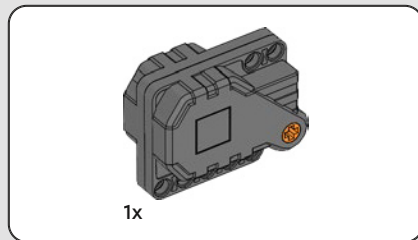
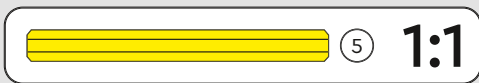
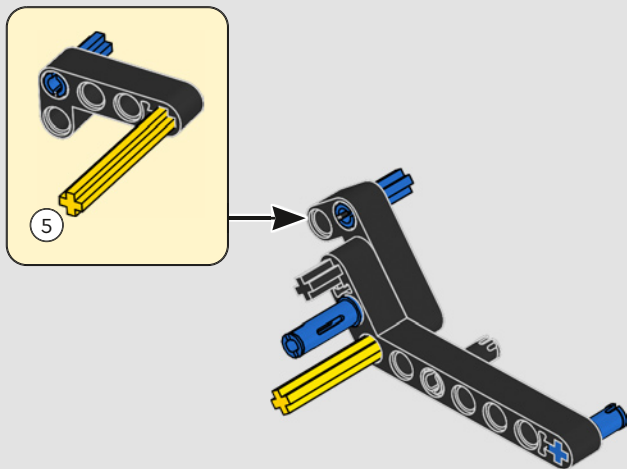
2



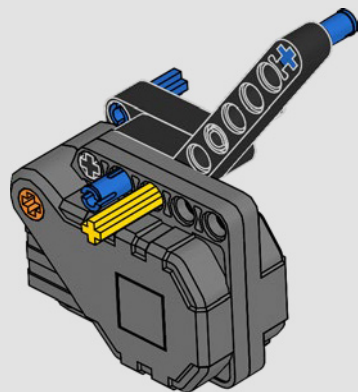


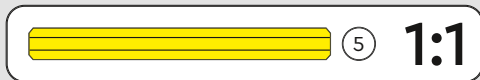
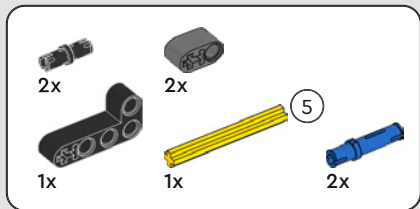


3

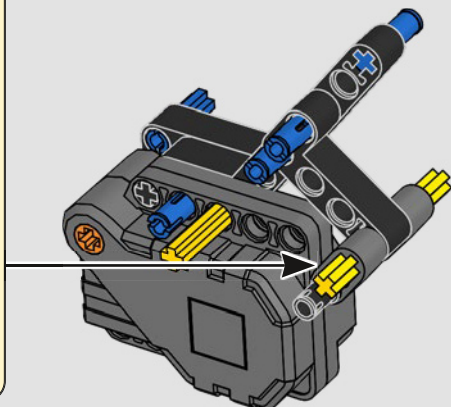
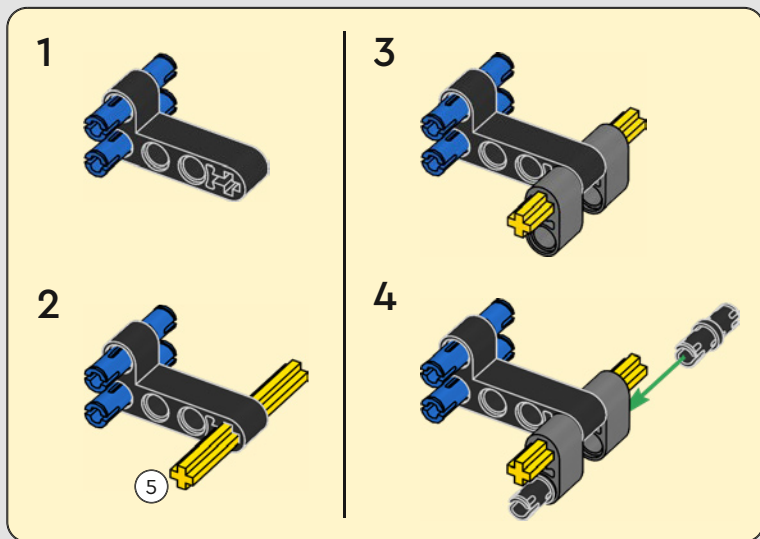


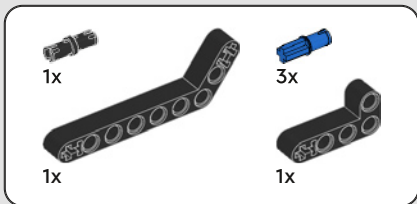
4



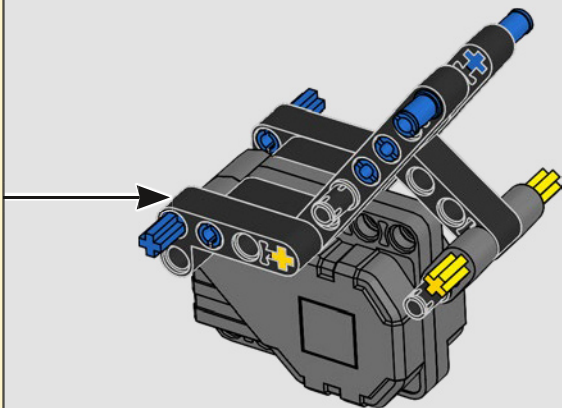
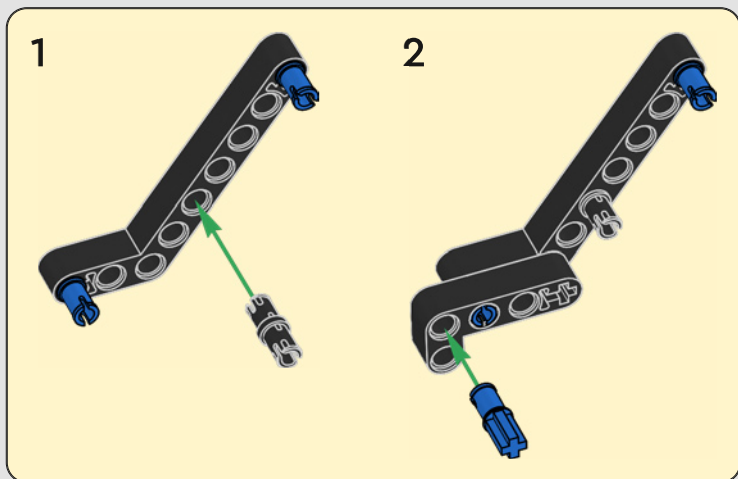


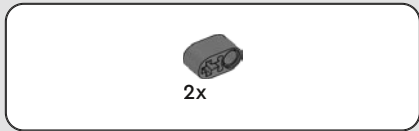
5



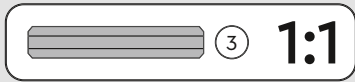
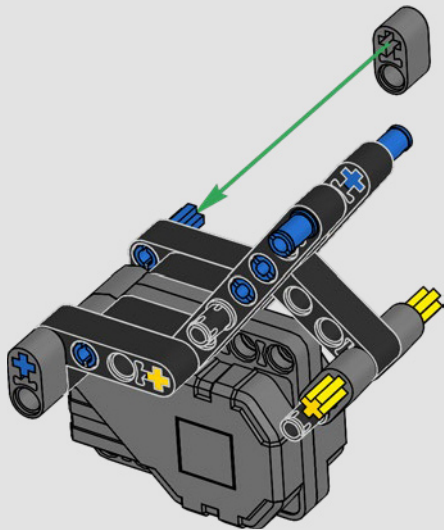


6

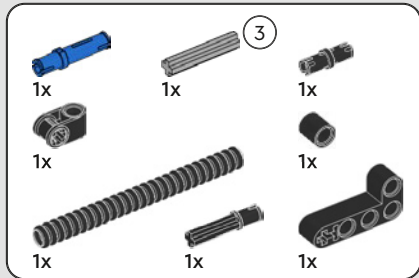




7

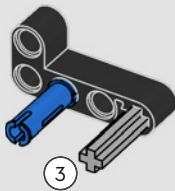


8

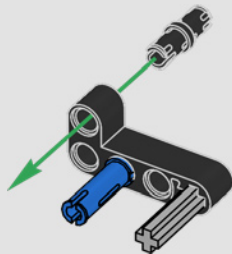


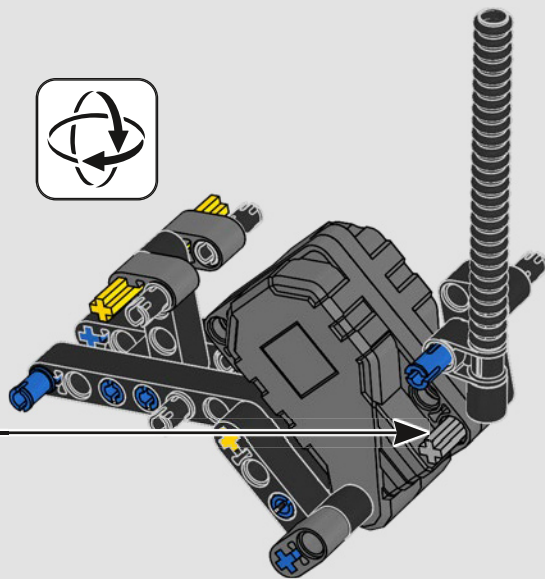
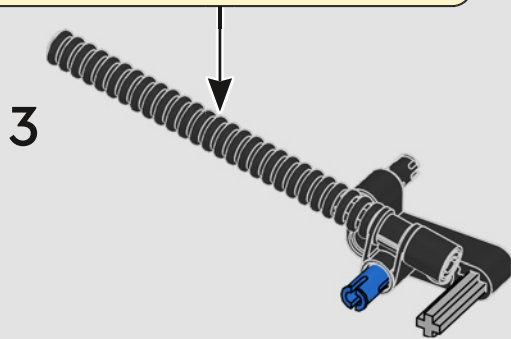
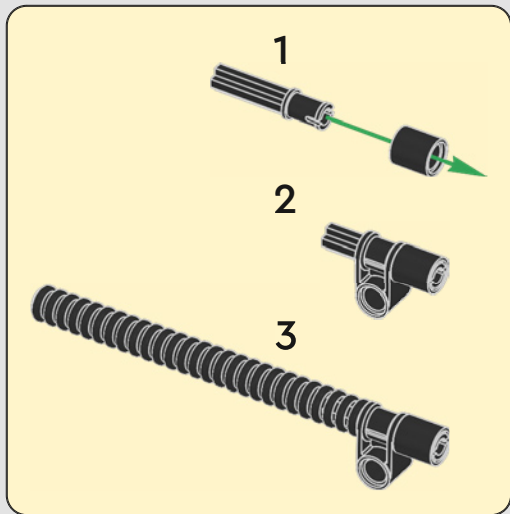
8

1

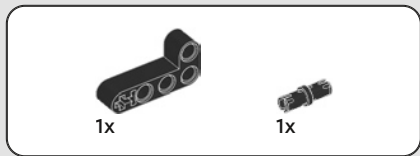


2

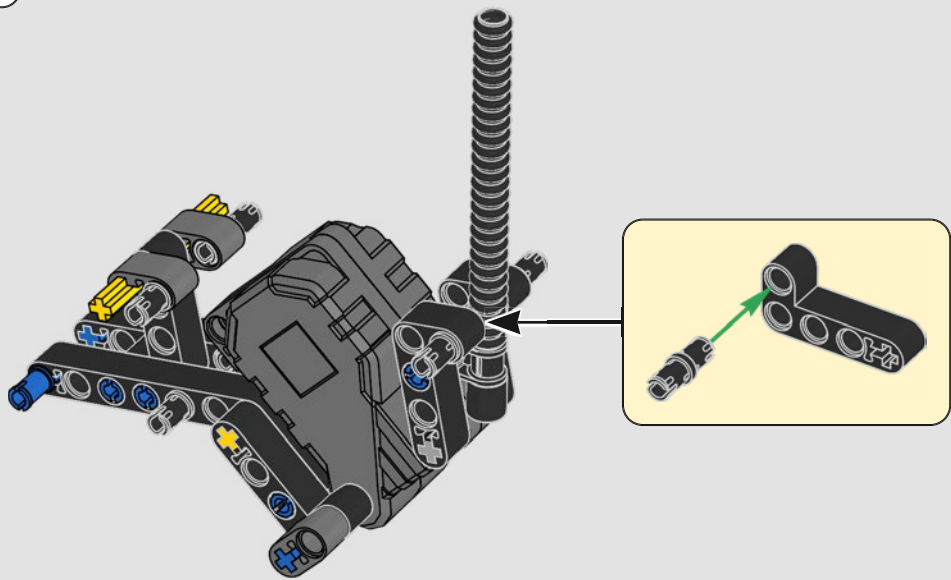


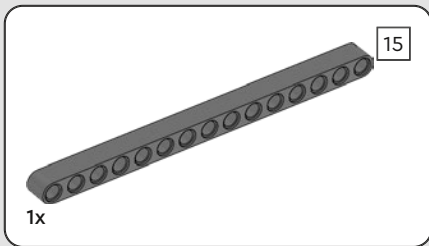




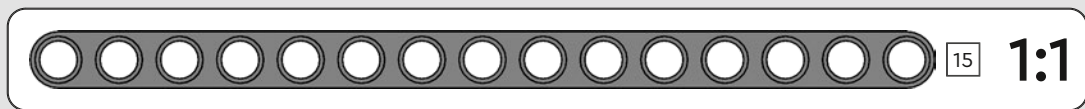
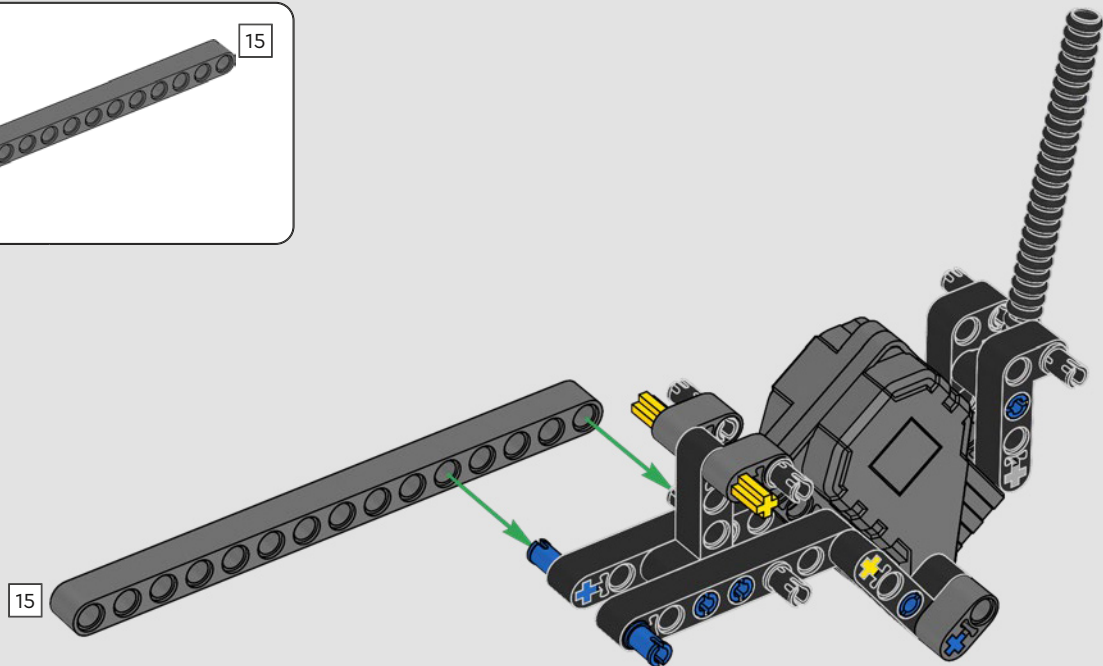


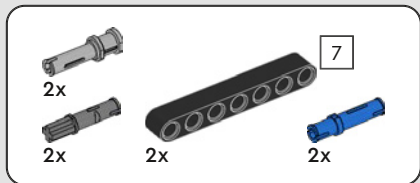
9





10



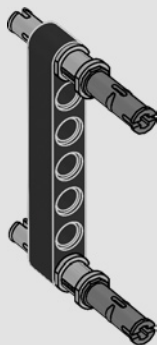


# 11

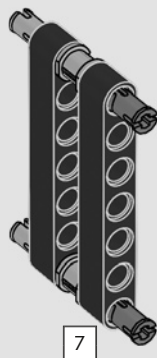
1



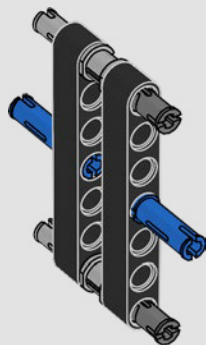
2

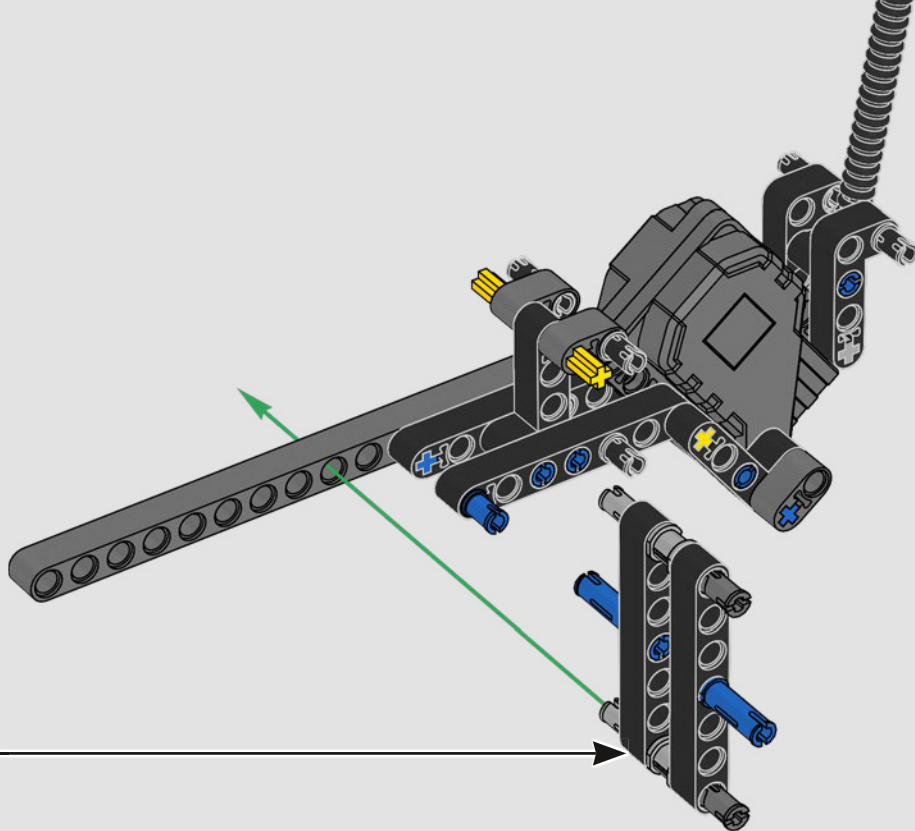


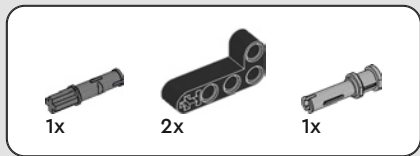
3



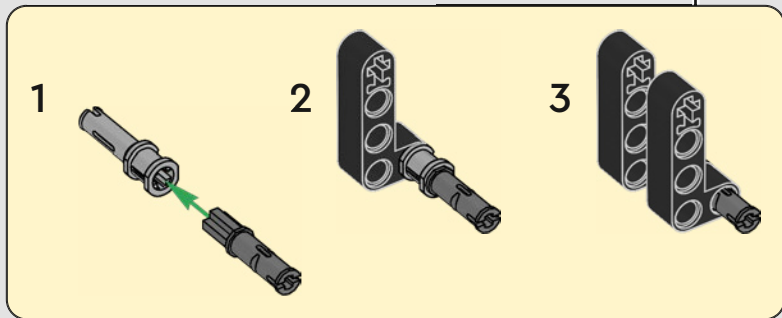
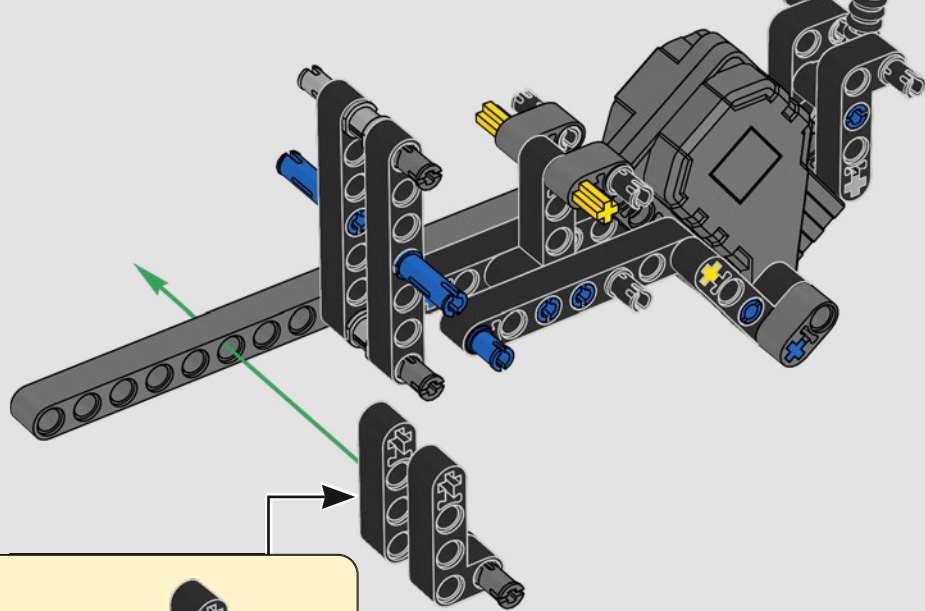
4



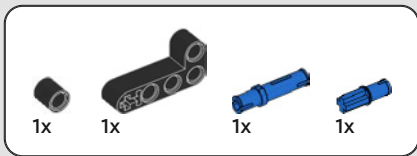




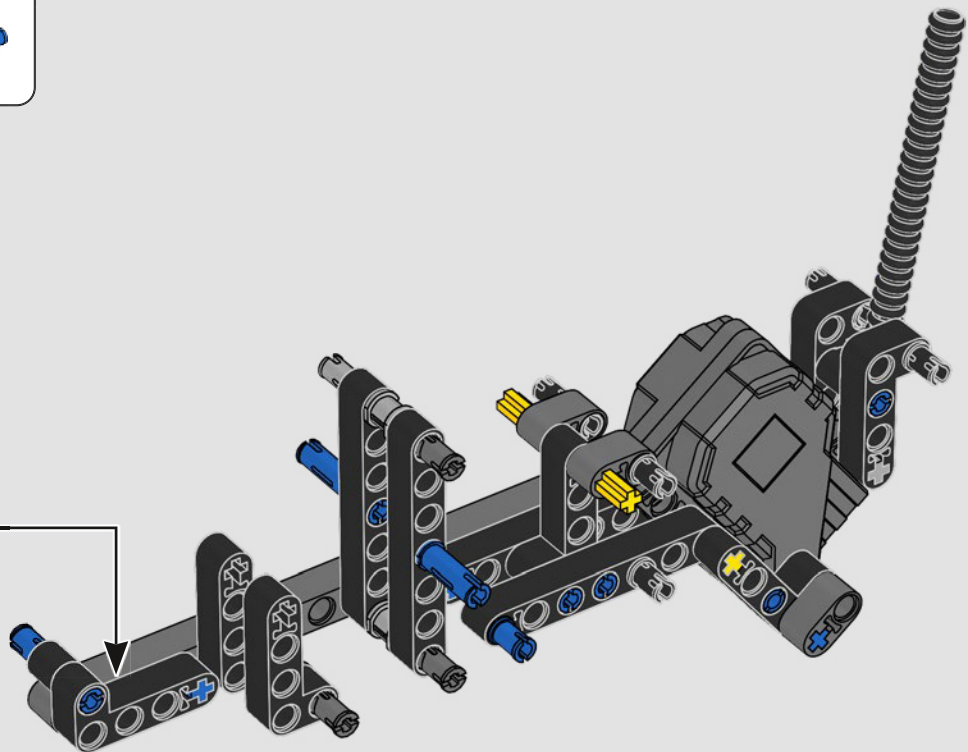
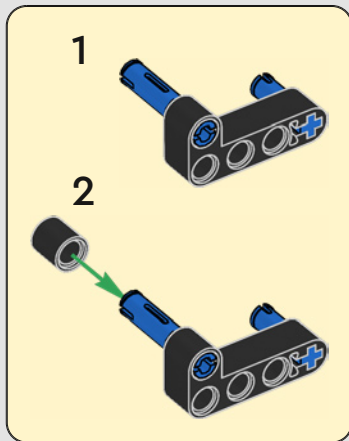
12

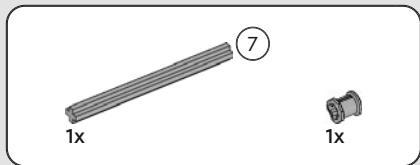




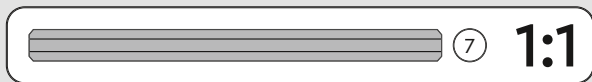
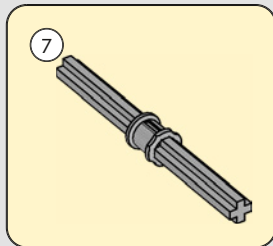
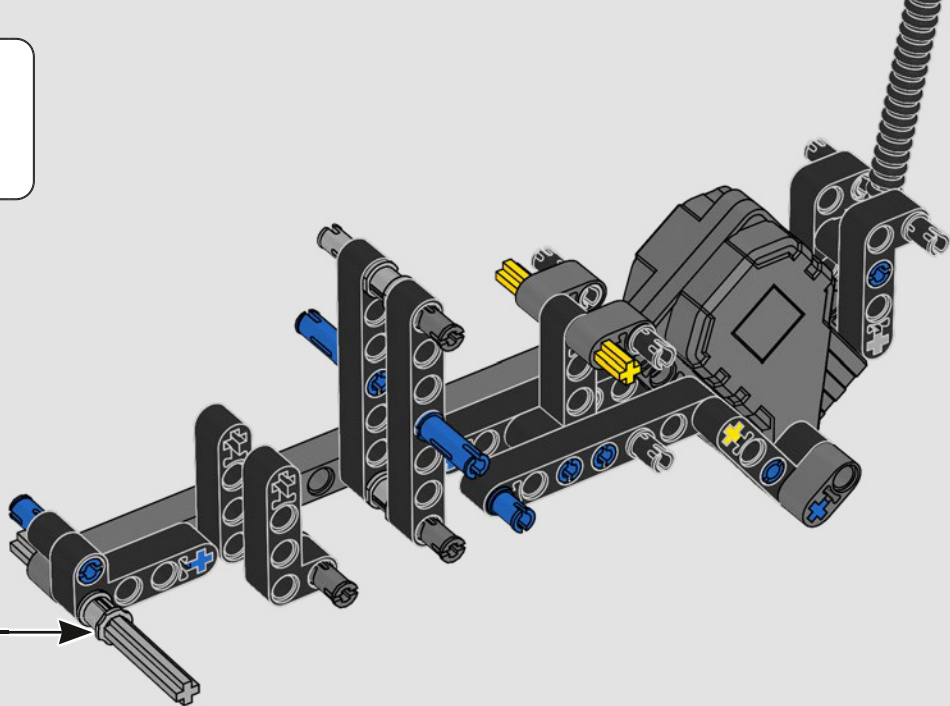


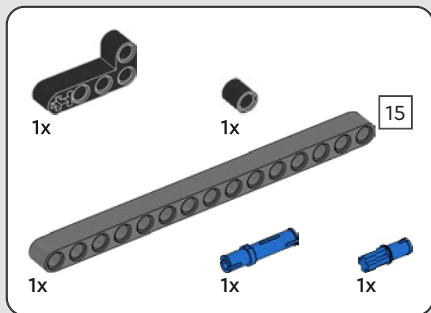
13



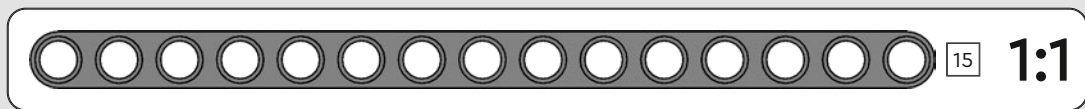
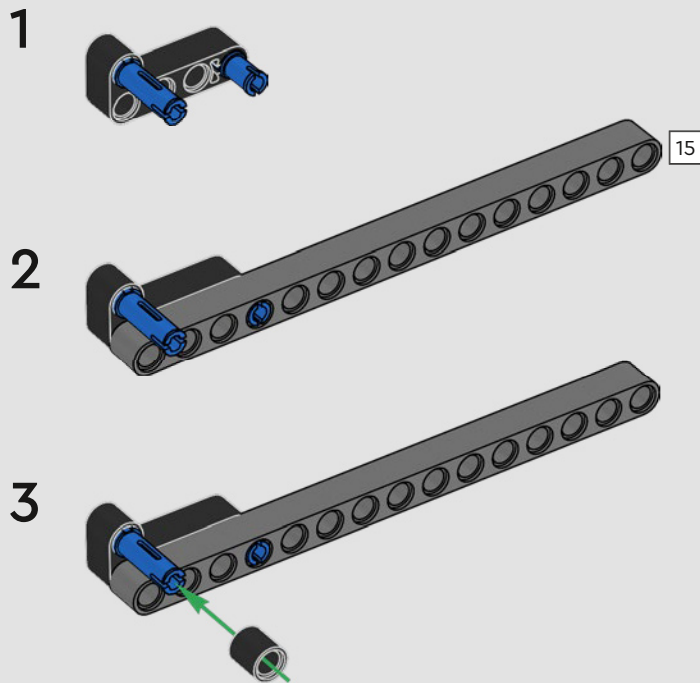


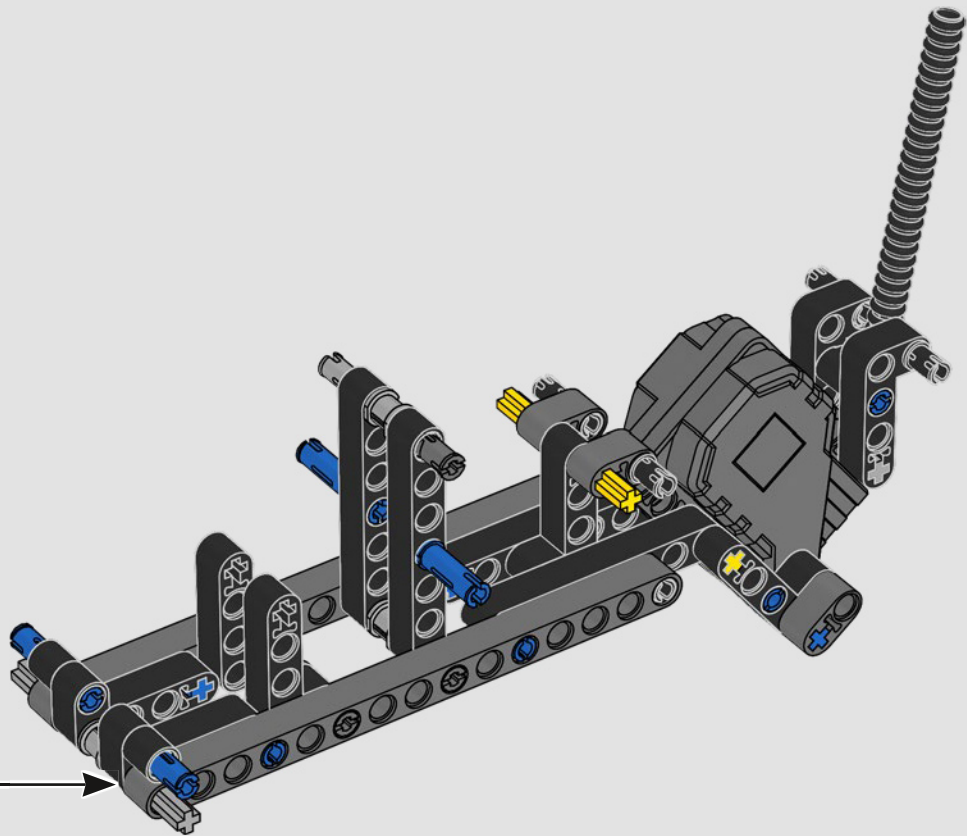
14

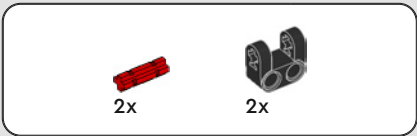




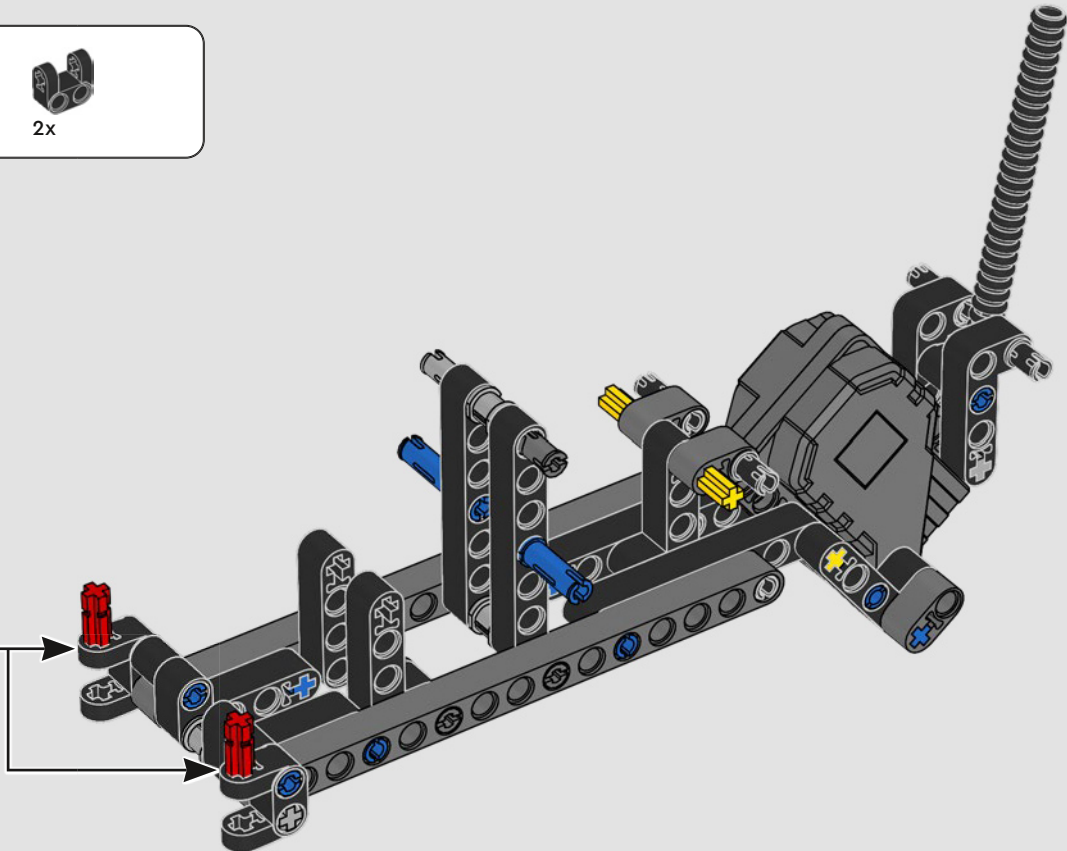
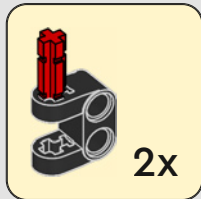
15



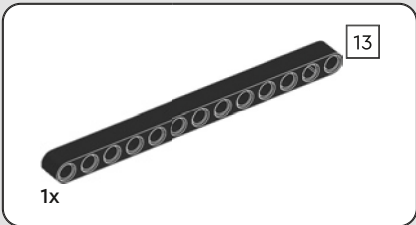




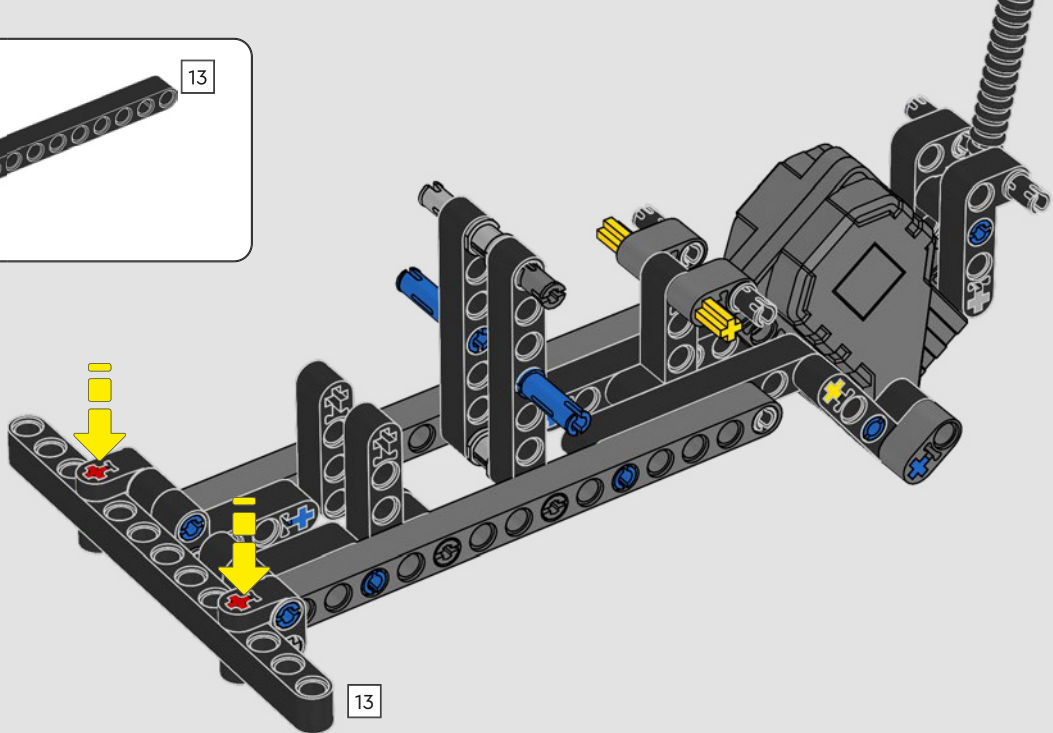
16

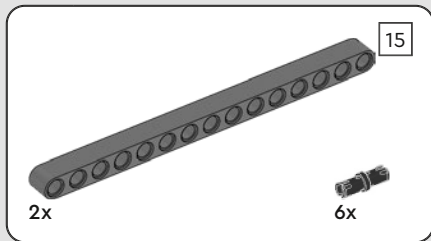




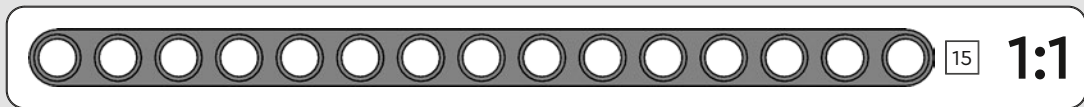
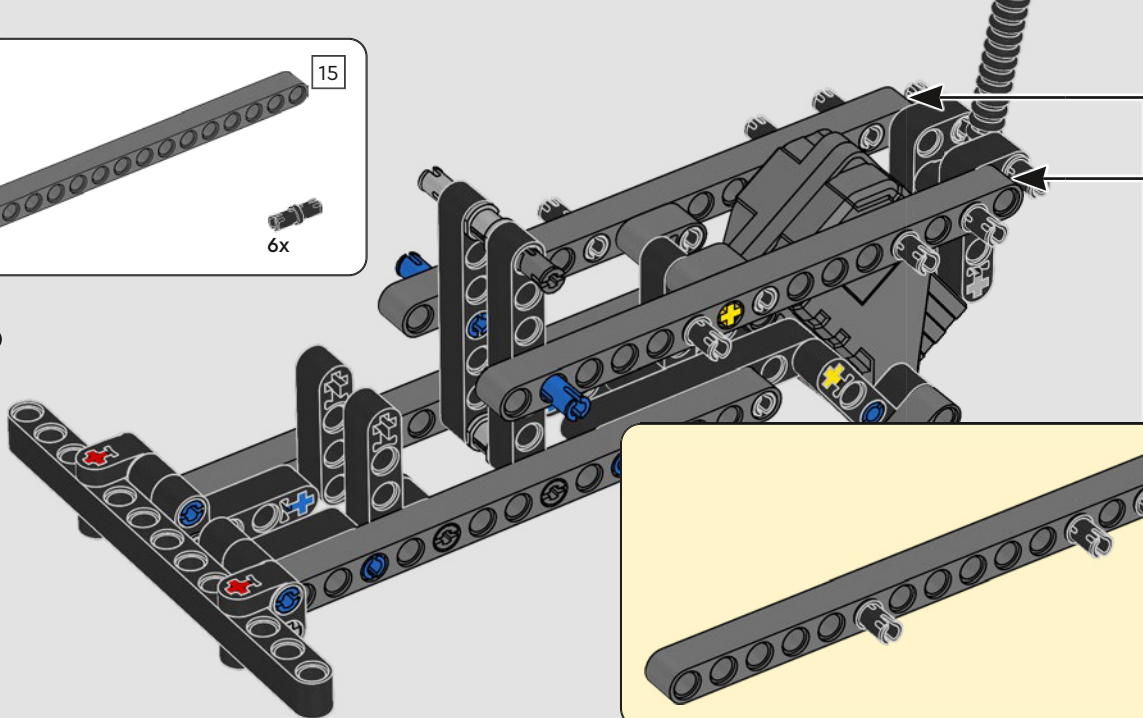


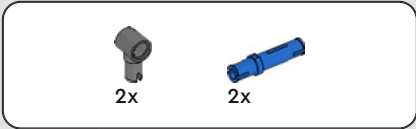
17



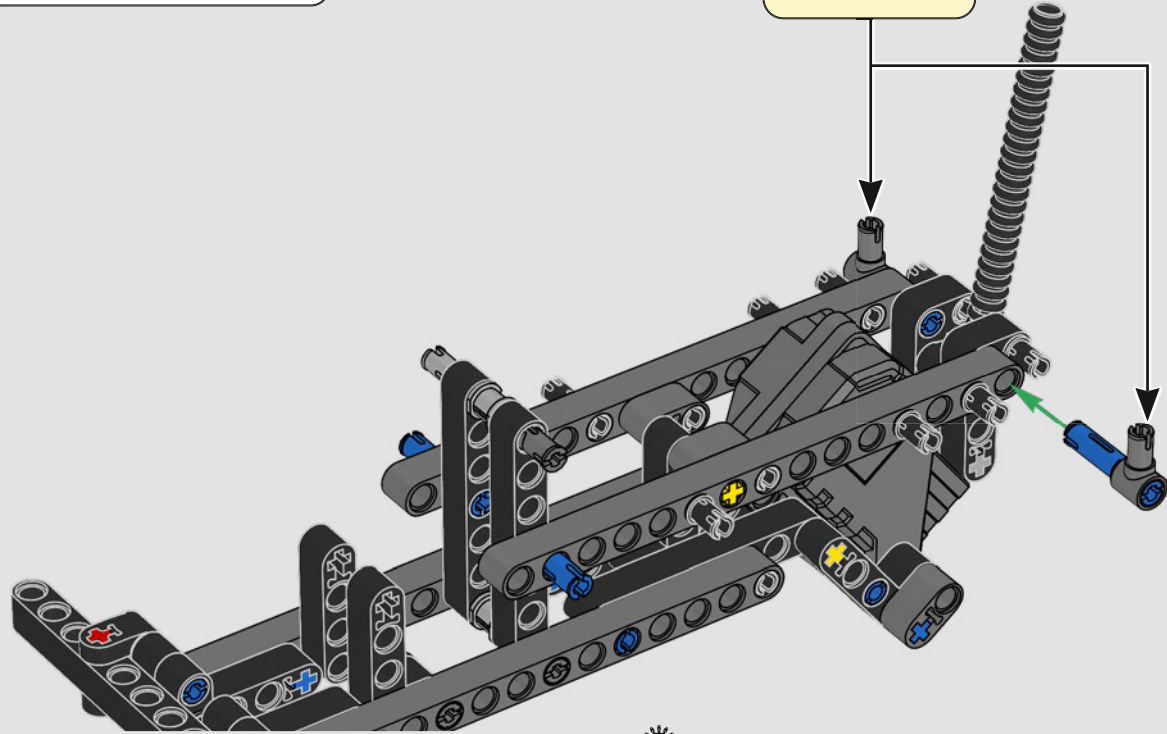
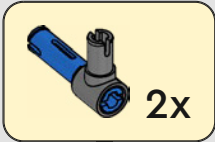


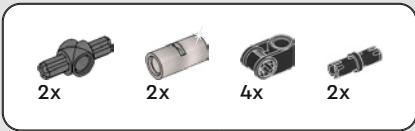
18



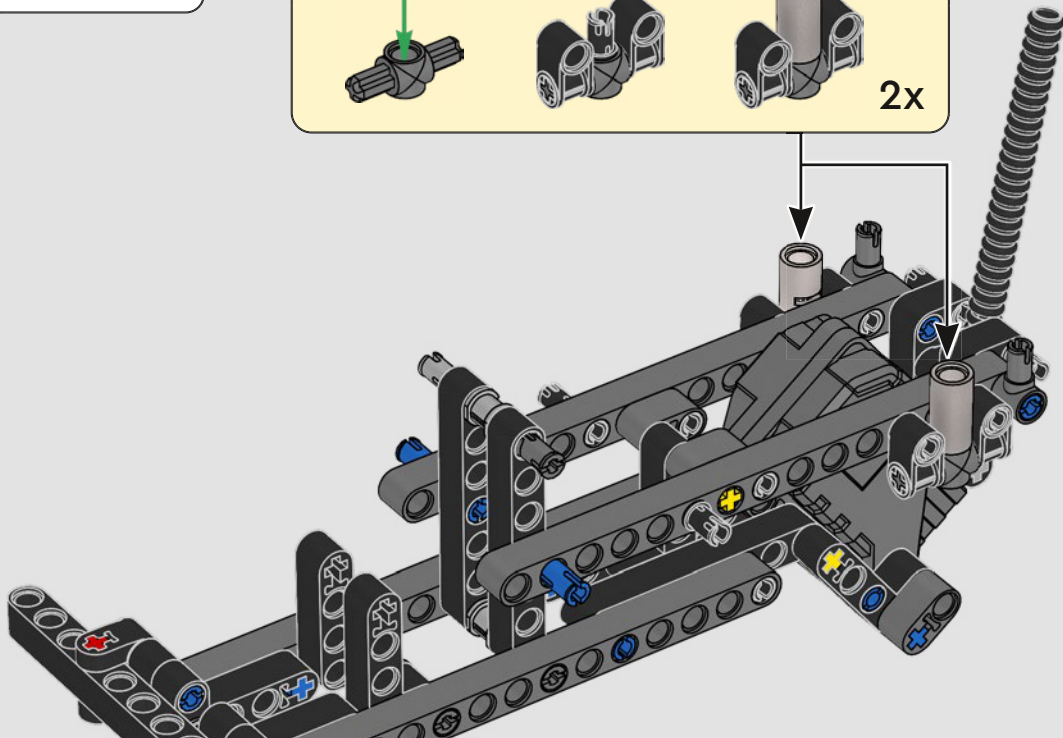
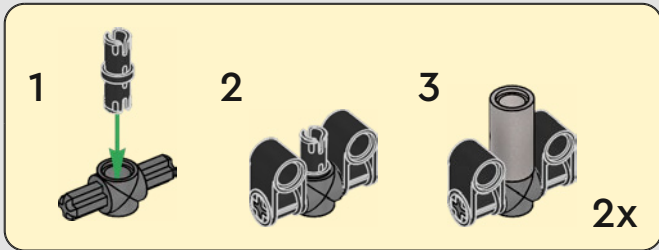


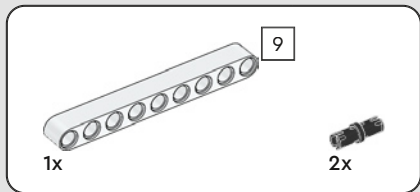
19



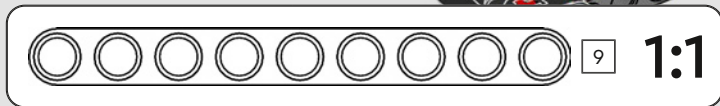
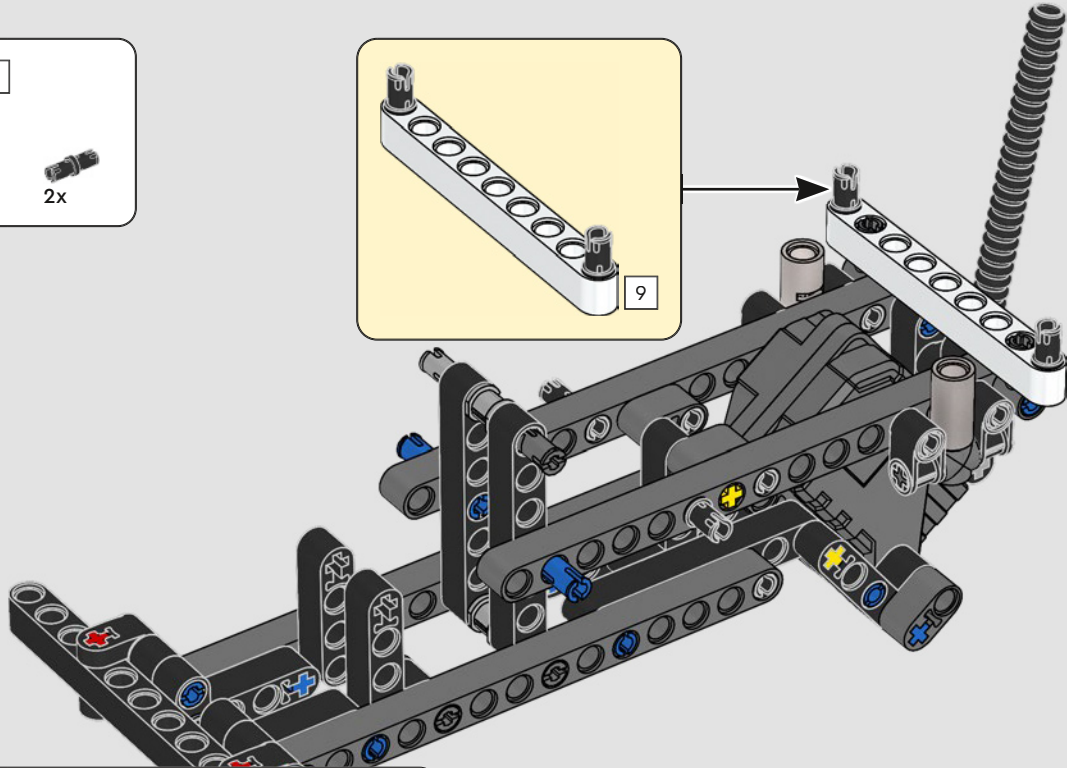
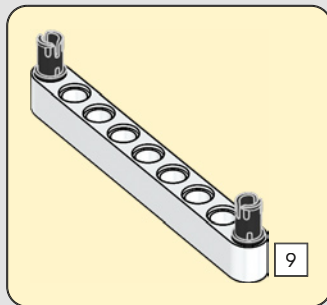


20

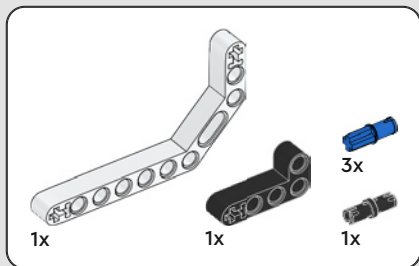




21

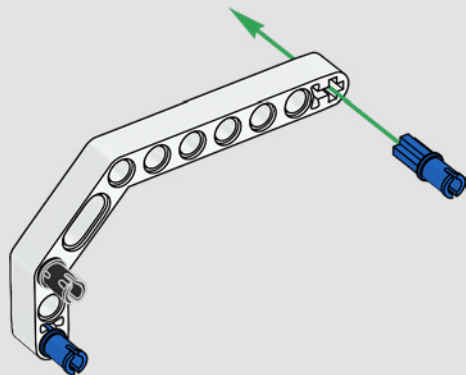




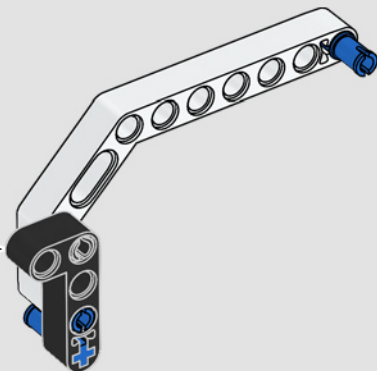
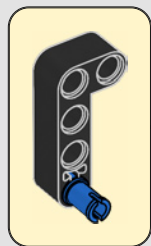


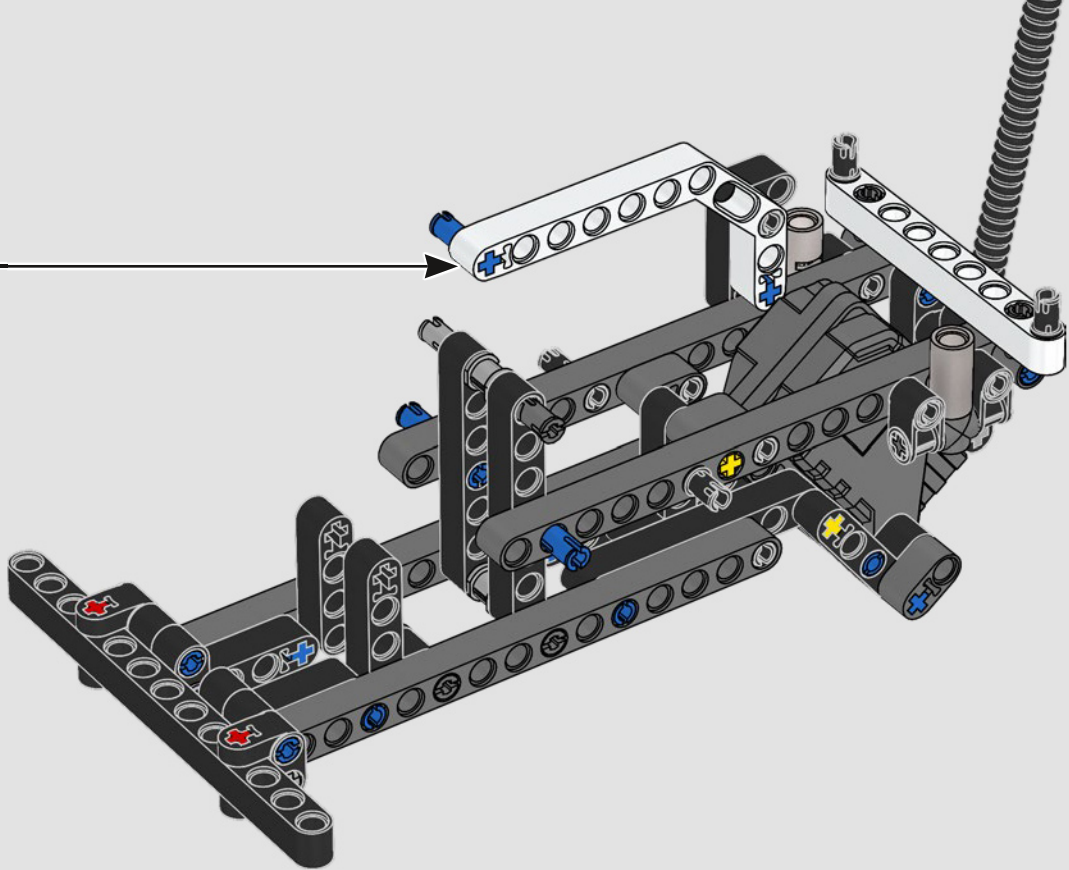
22

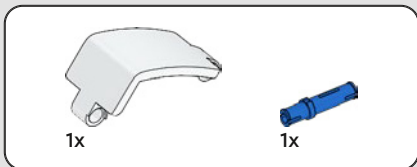
1



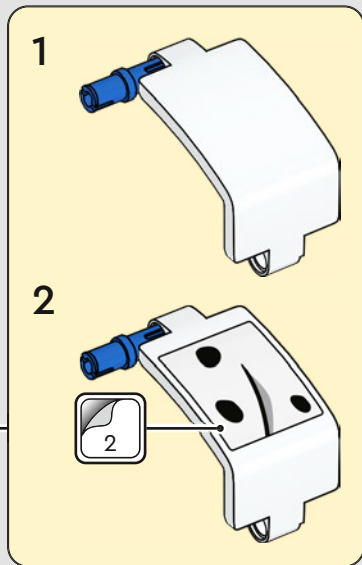
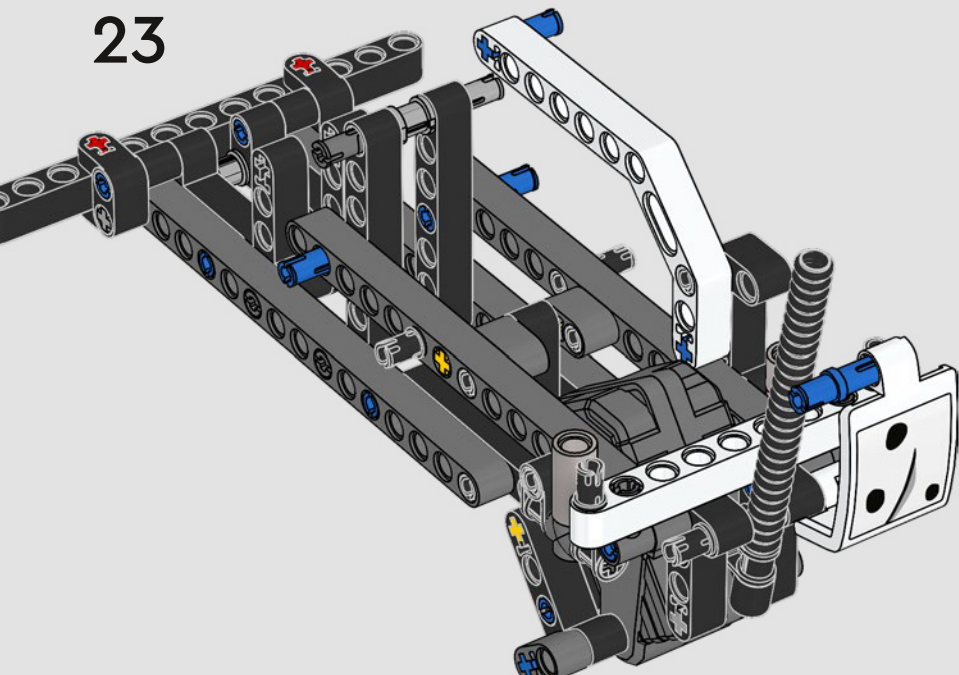
2



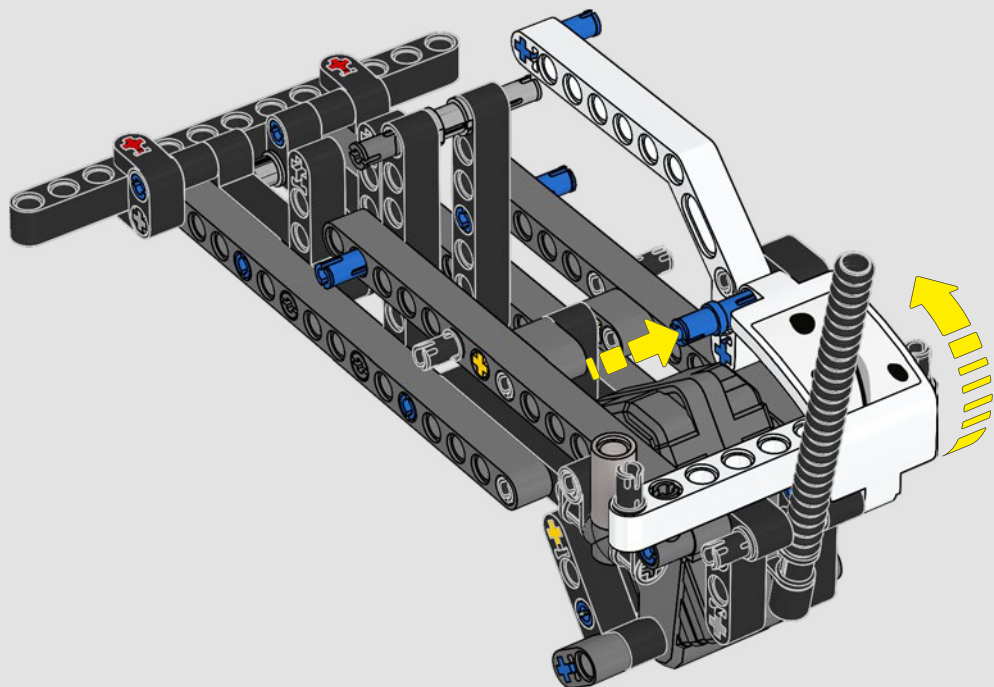


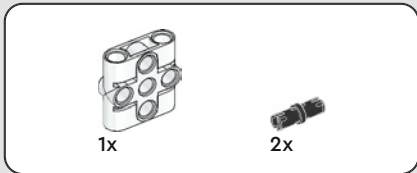


23

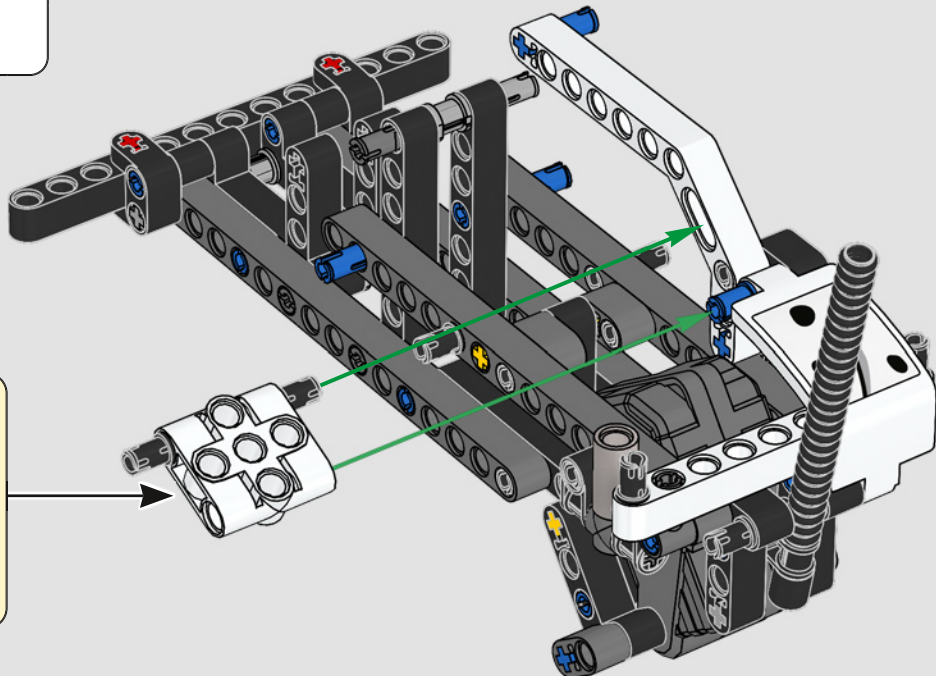
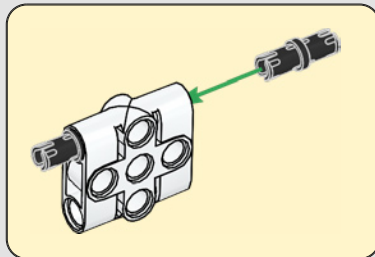


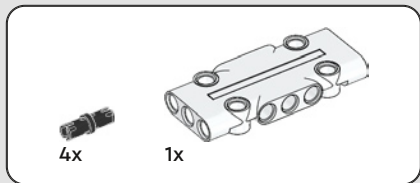
24



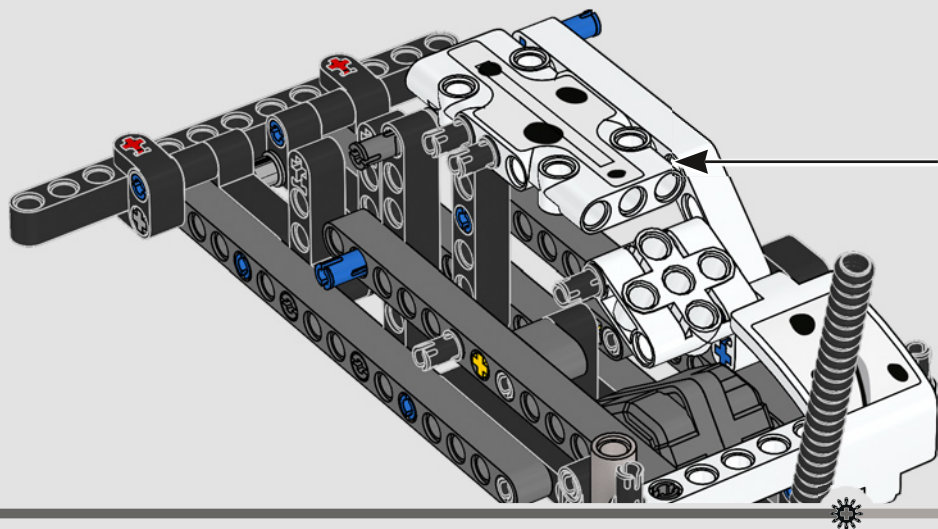
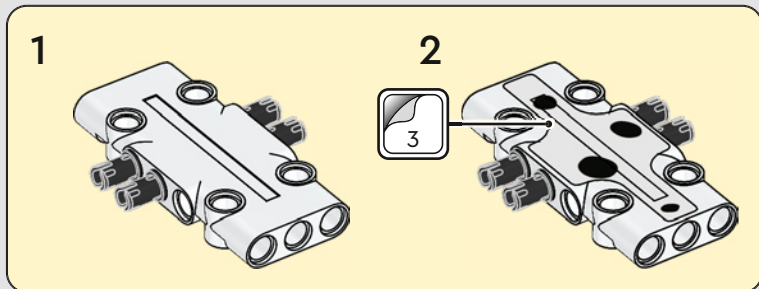


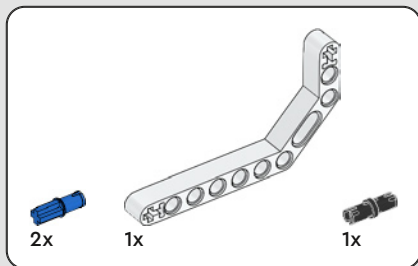
25



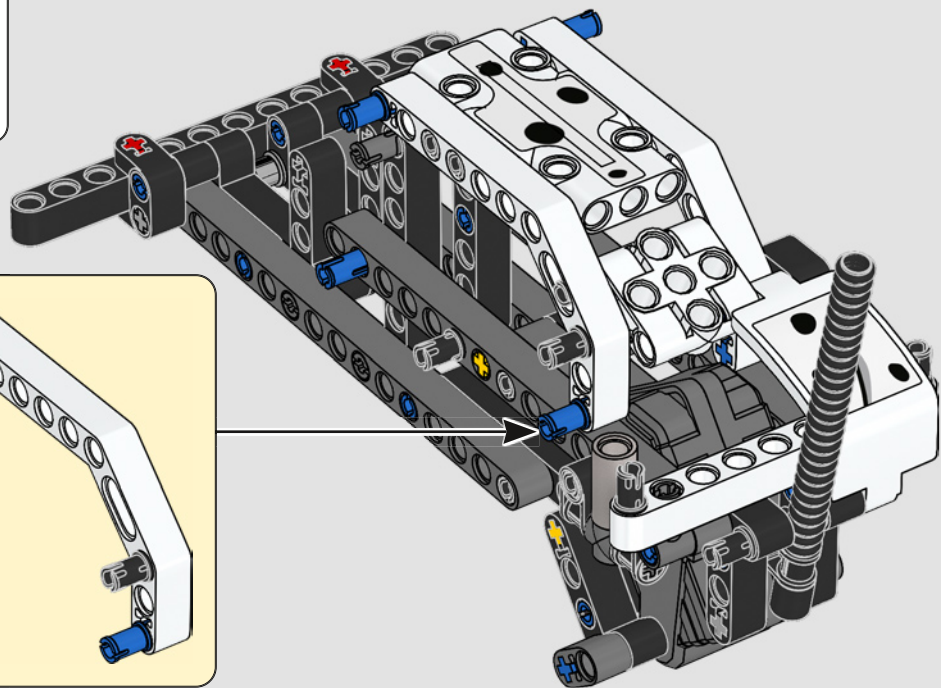
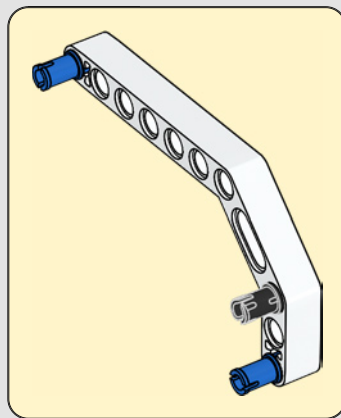


26

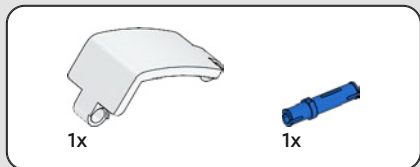




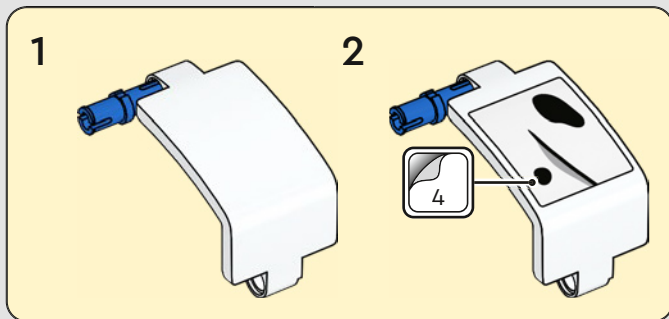
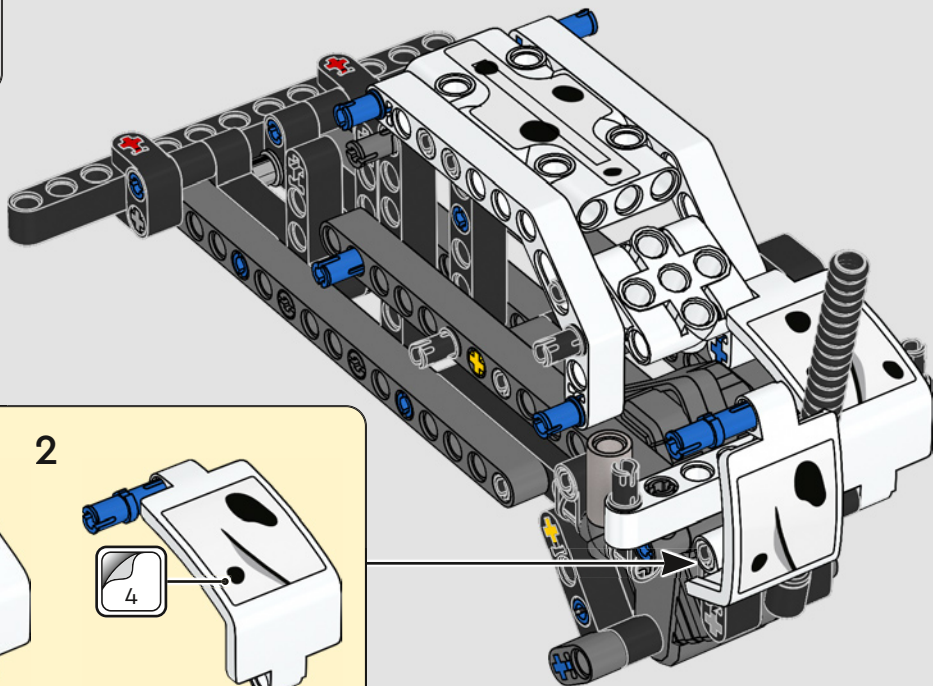
27





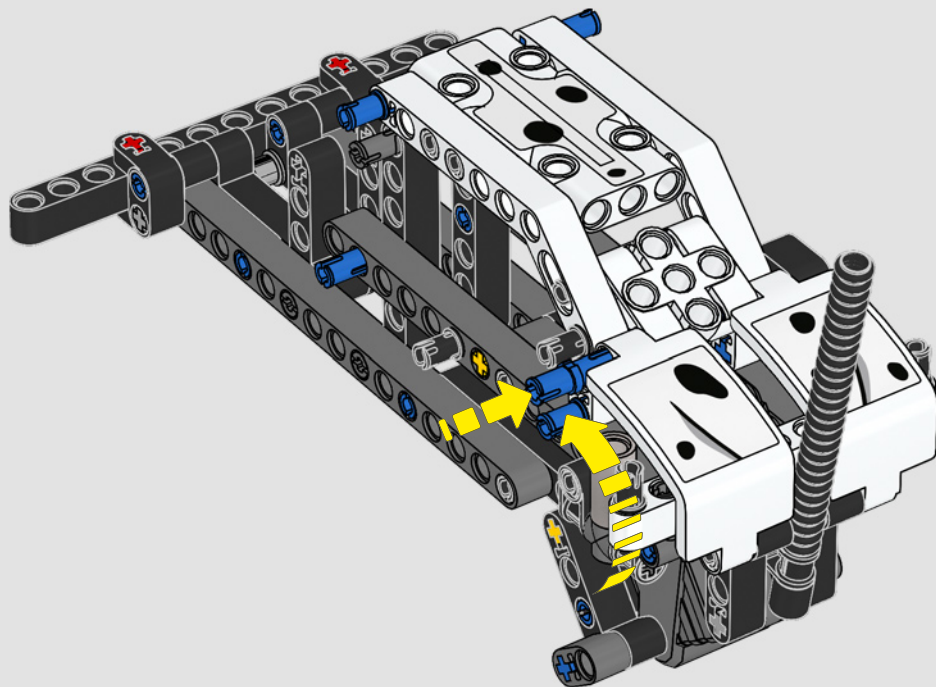


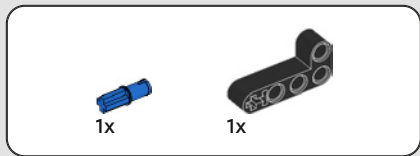
28



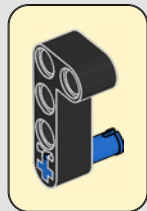
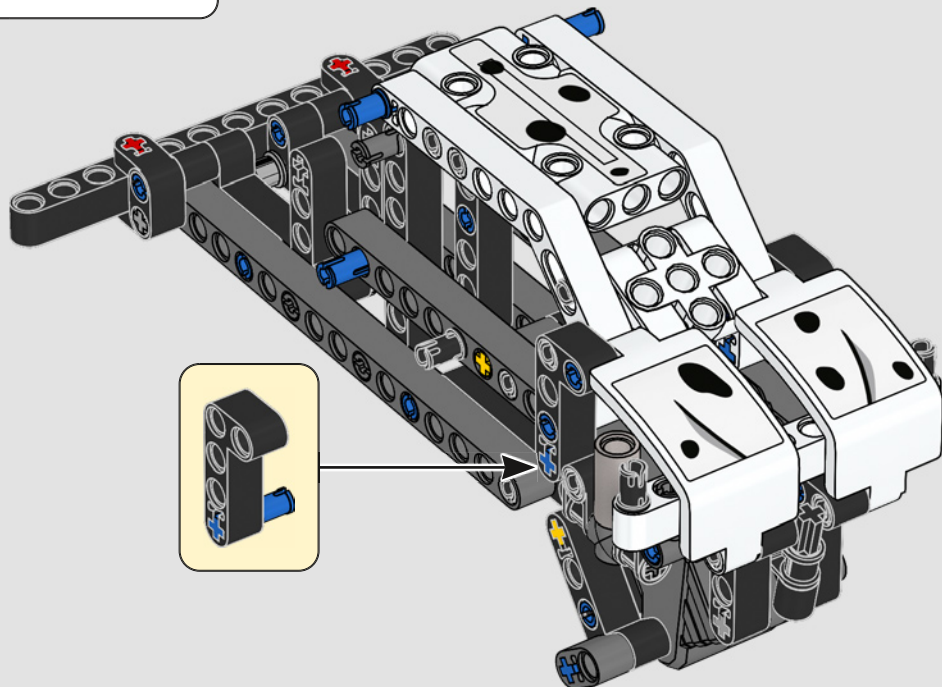


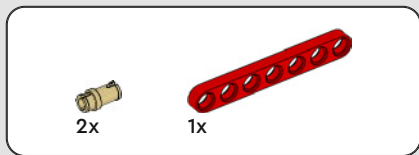
29



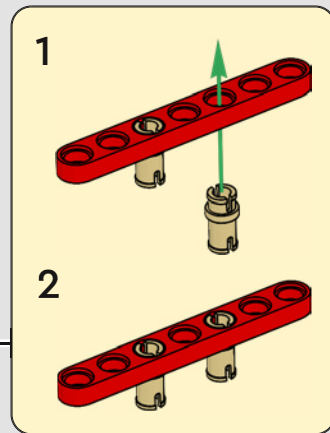
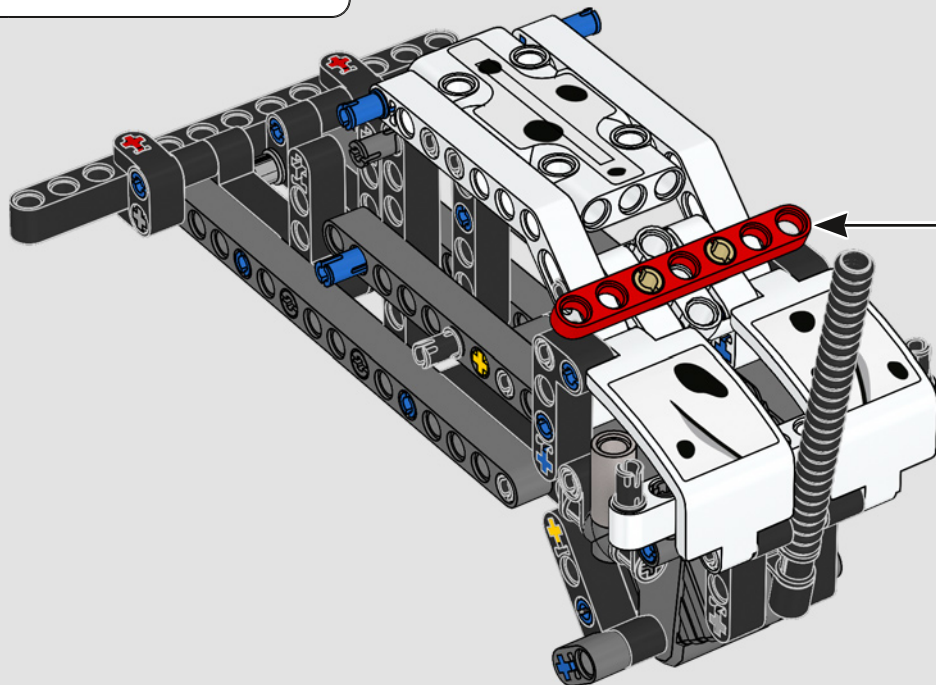


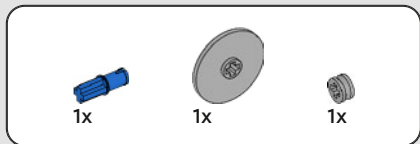
30



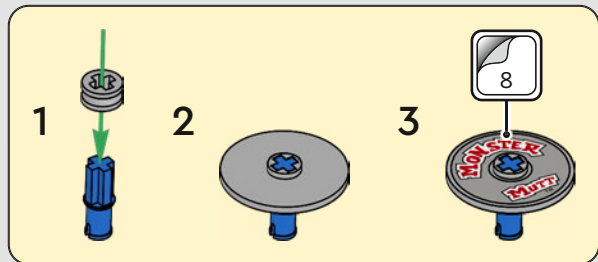
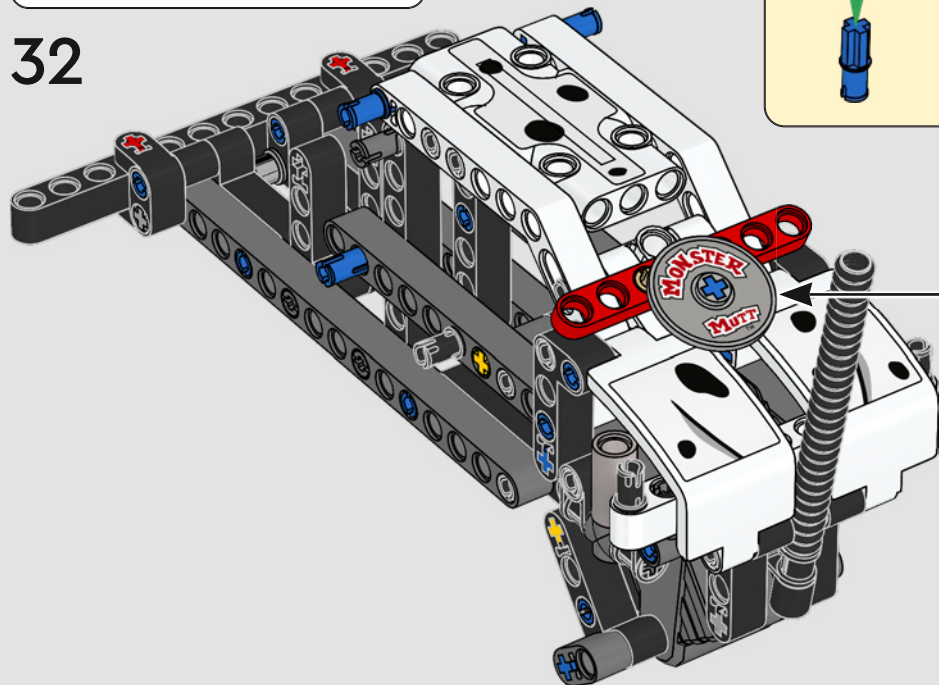


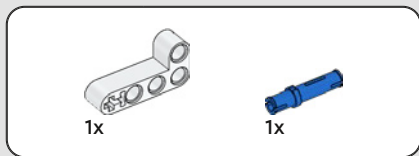
31



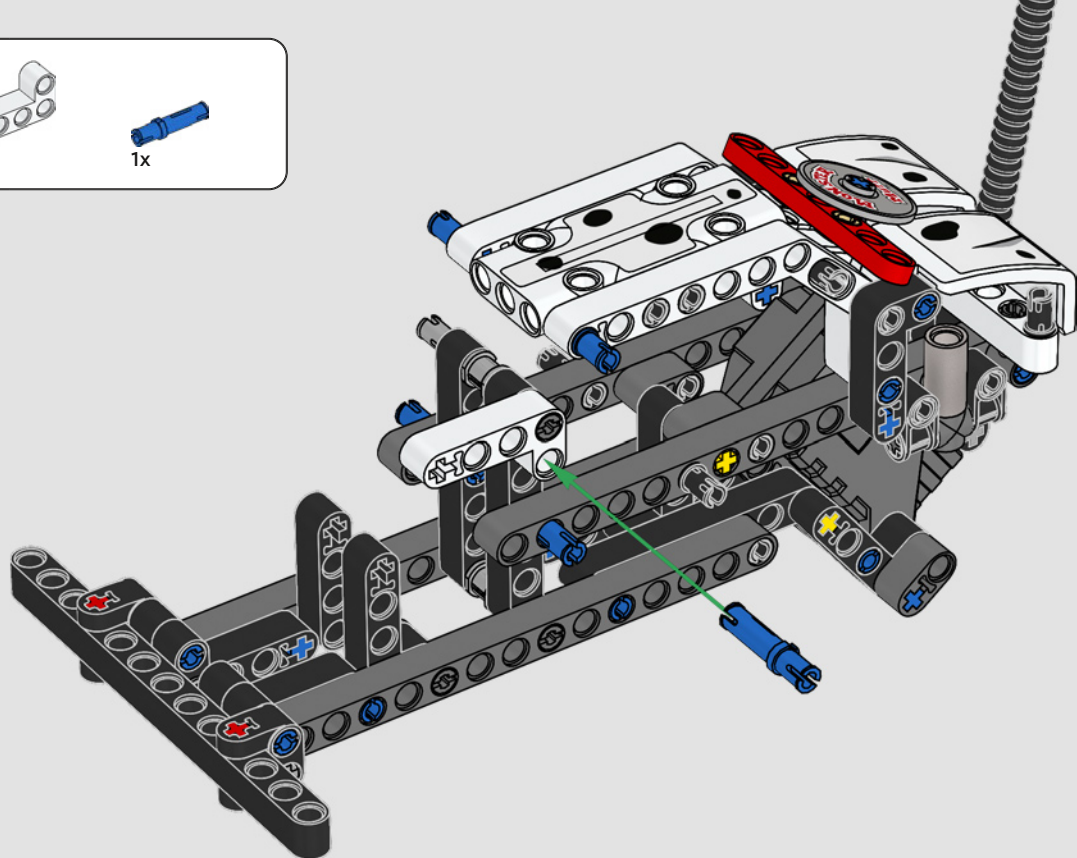


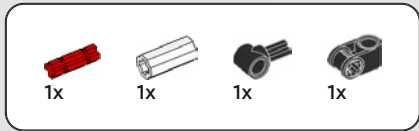
32



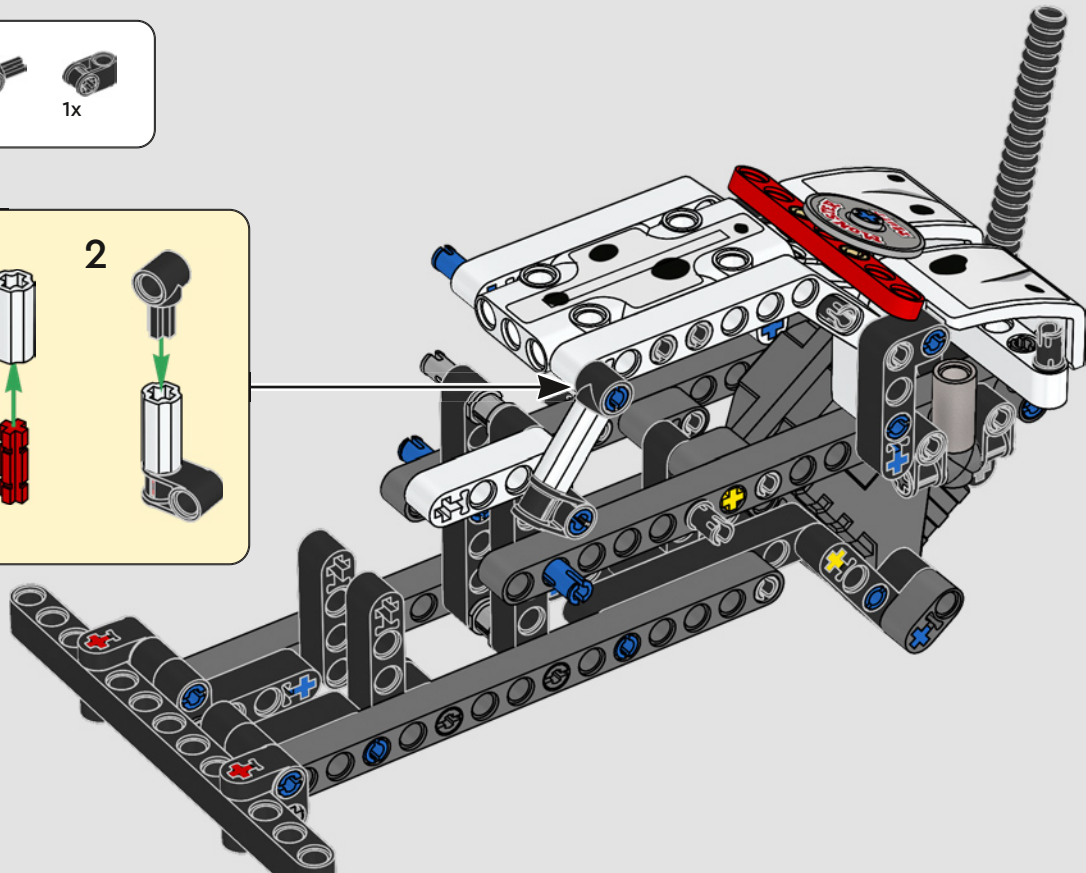
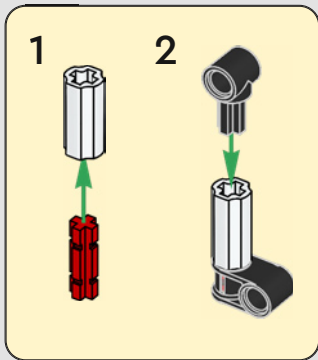


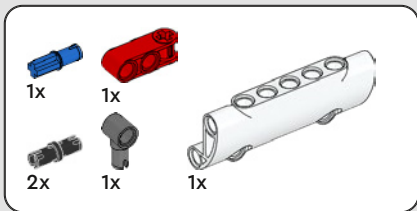
33





34



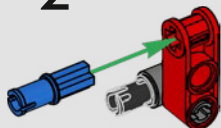


35

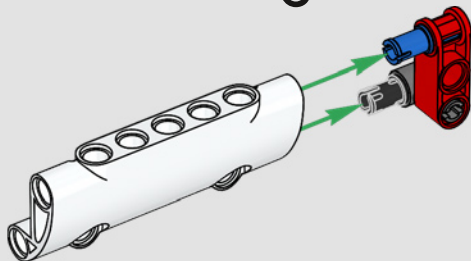
1



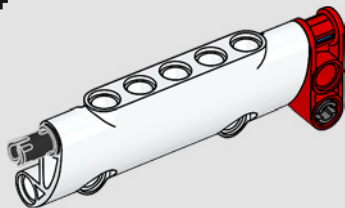
2



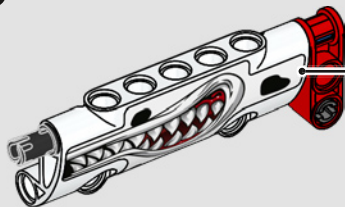
3



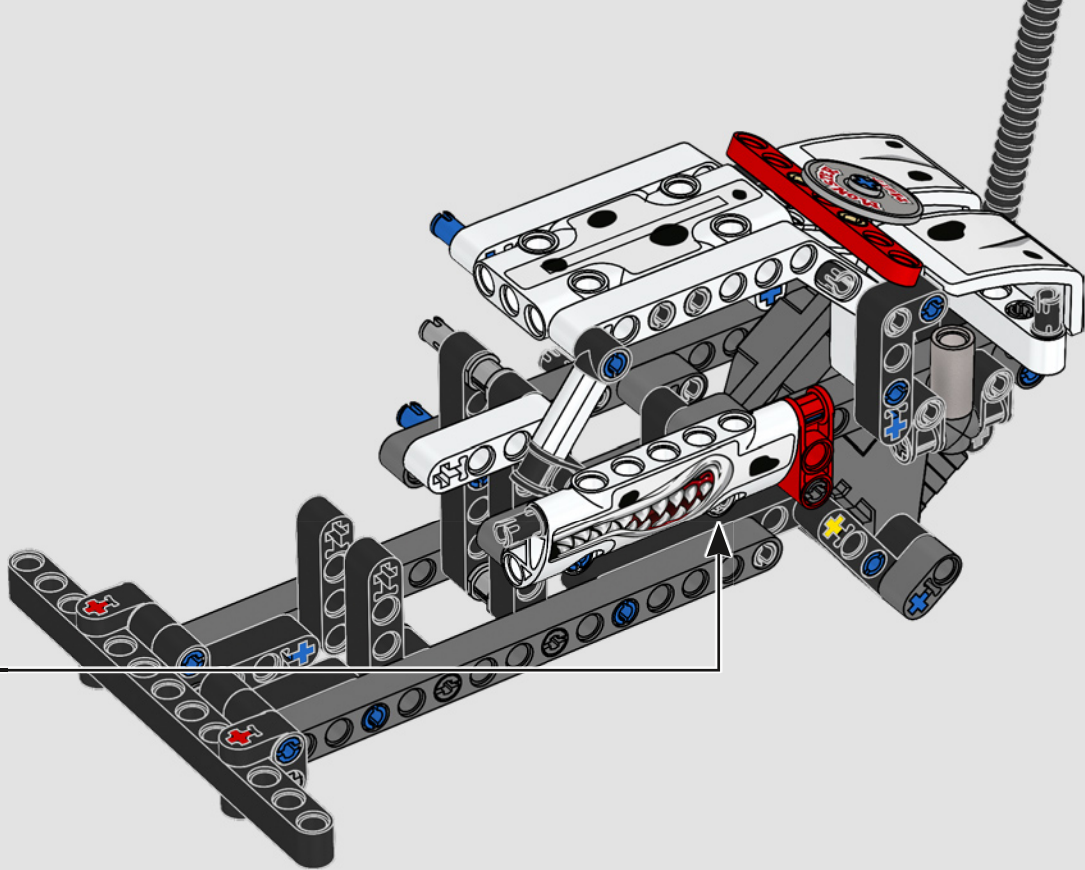
4



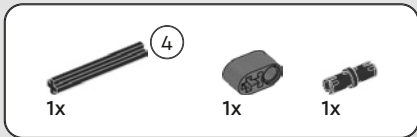
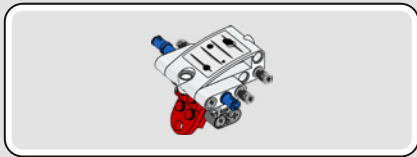
5



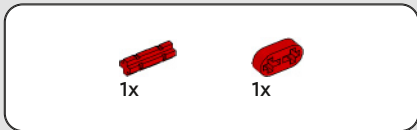




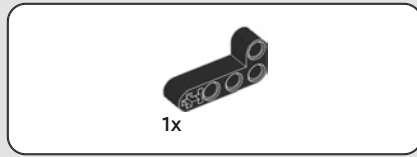
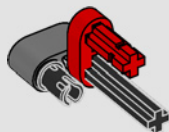




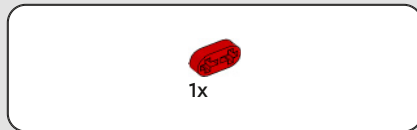
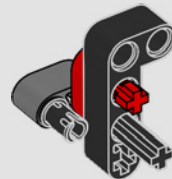
36



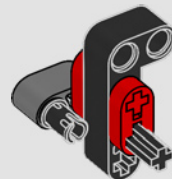
37



38



39





1x



1x



1x

# 40

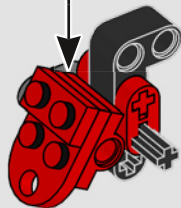
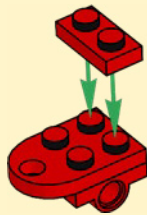
1



2



3



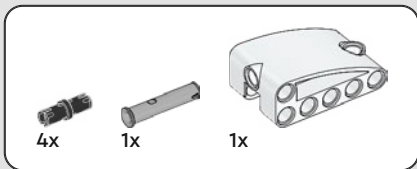
1x



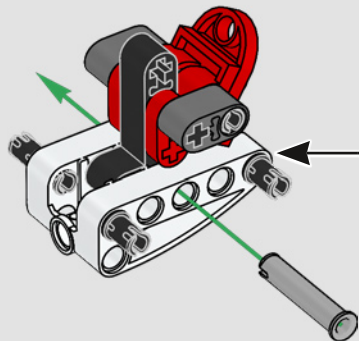
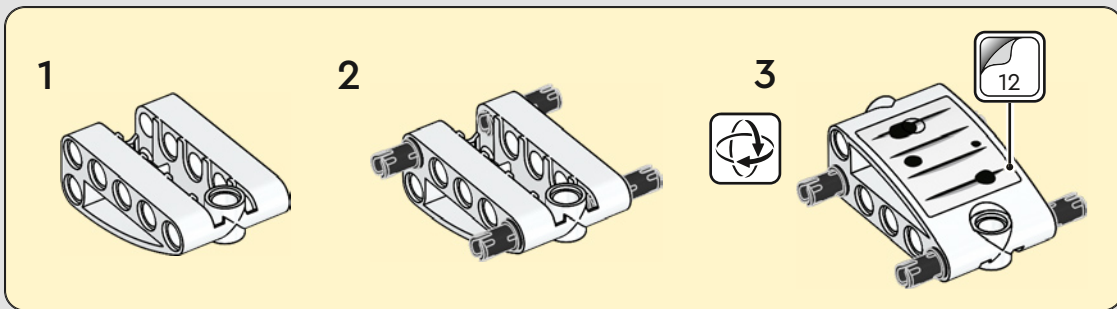
1x

# 41



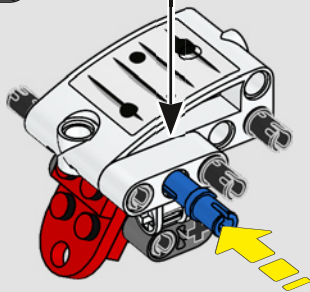
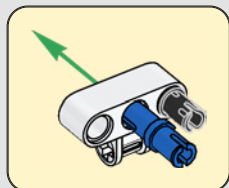


42

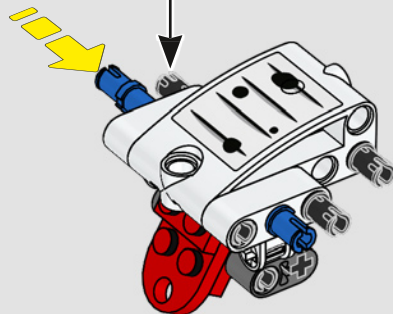




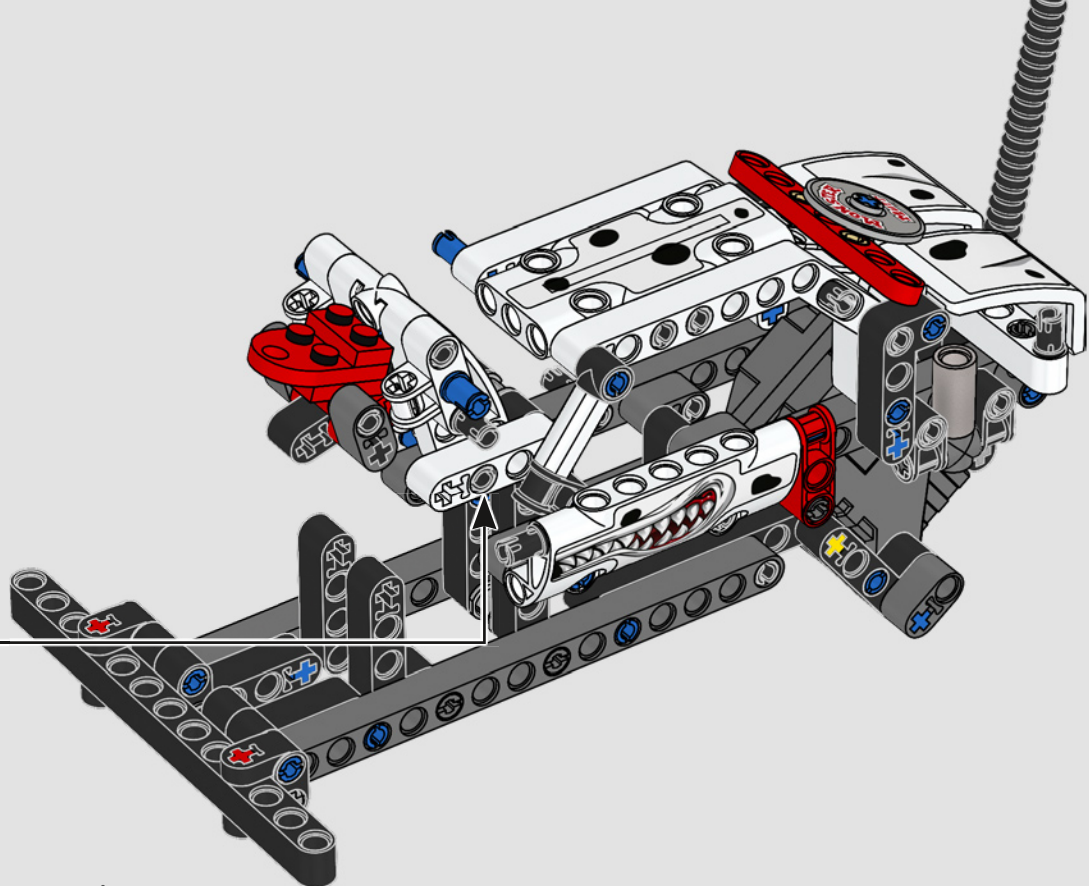
43

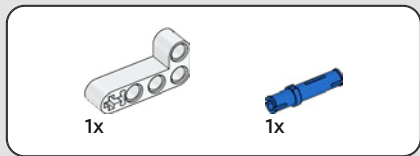


44

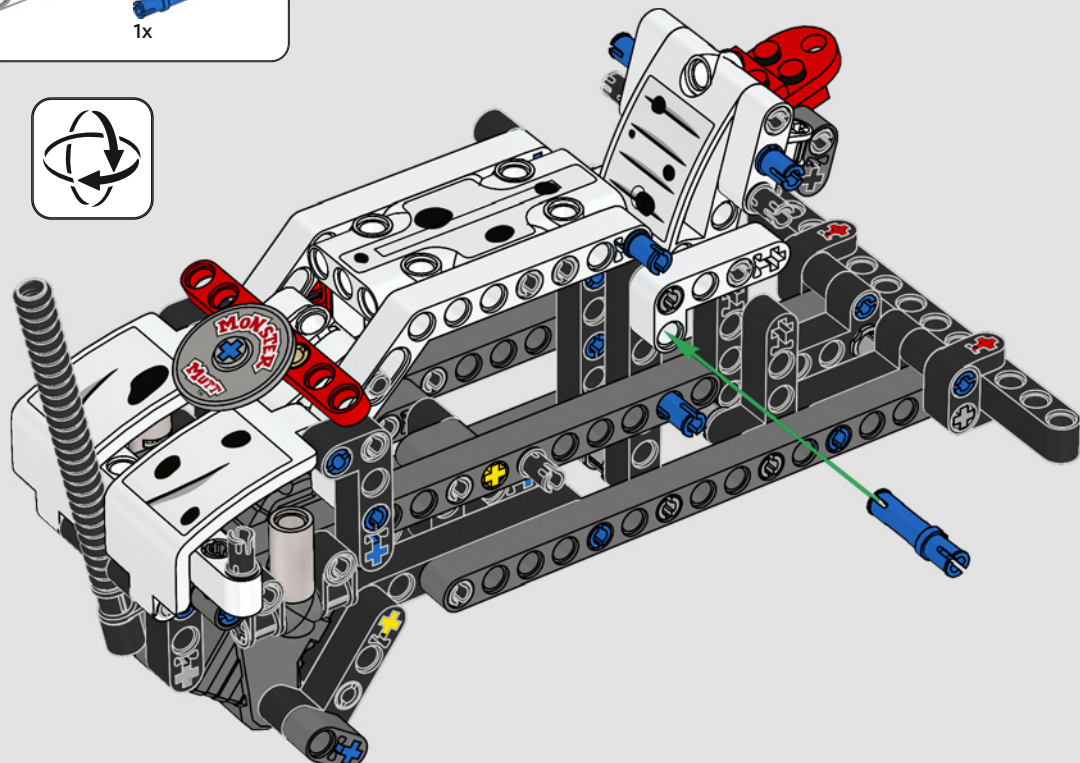


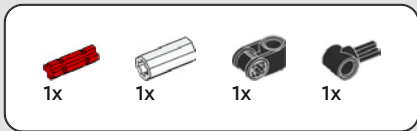
45



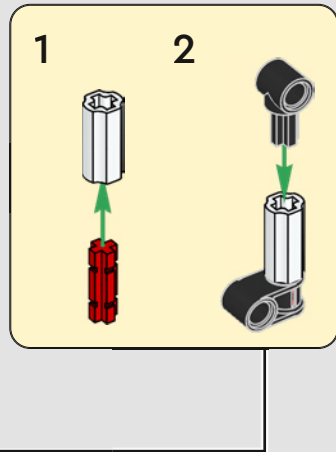
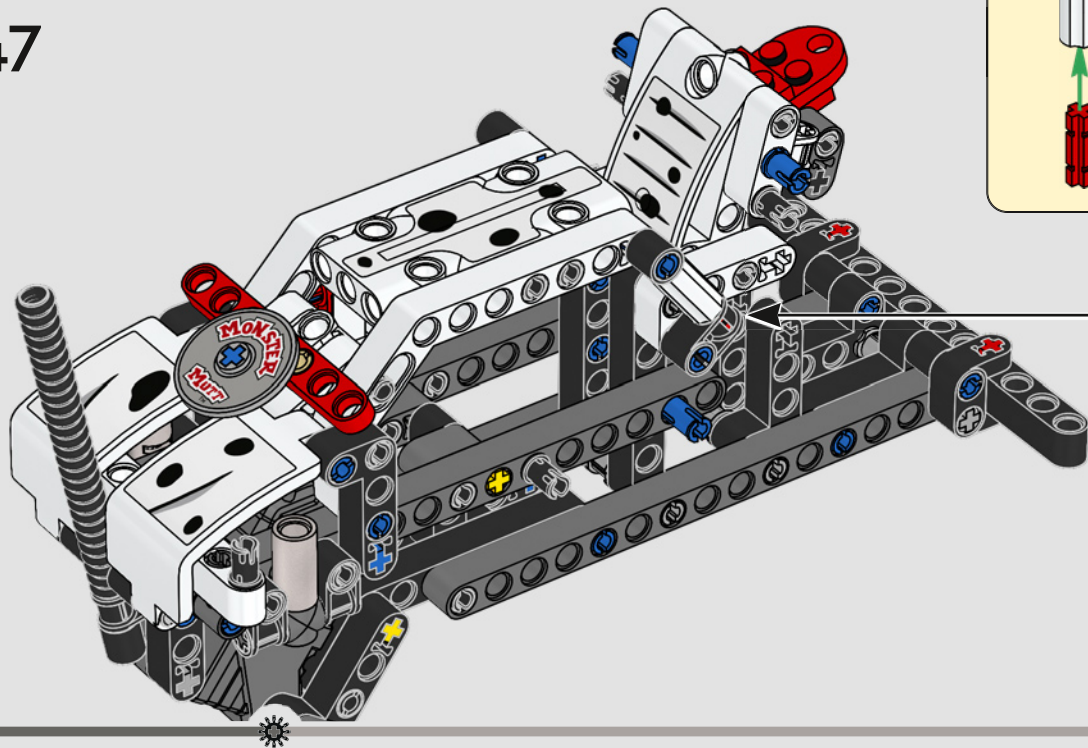


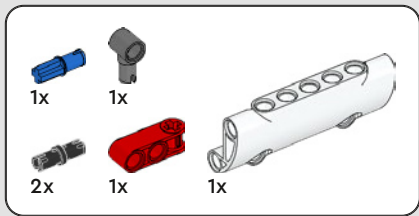
46





47



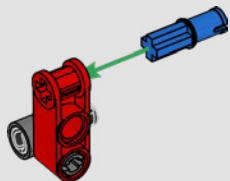


48

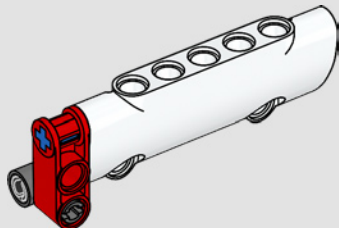
1



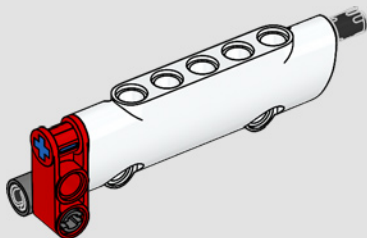
2



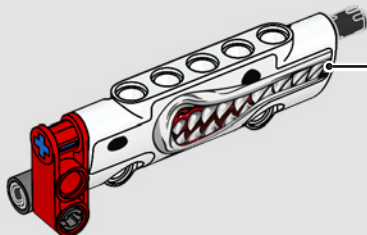
3



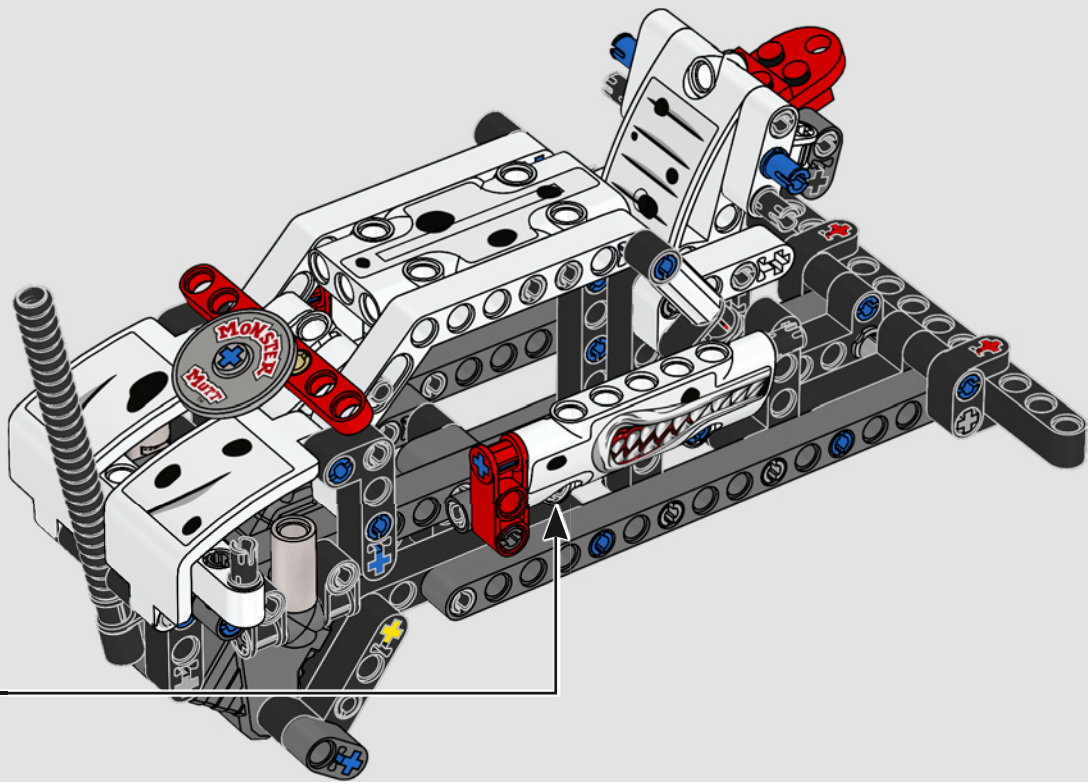
4

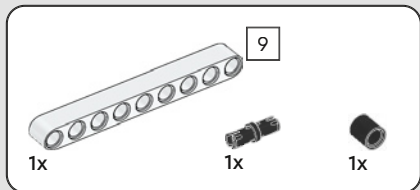


5

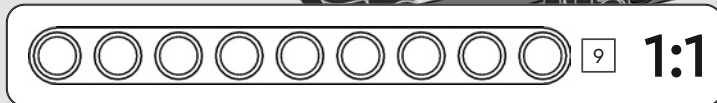
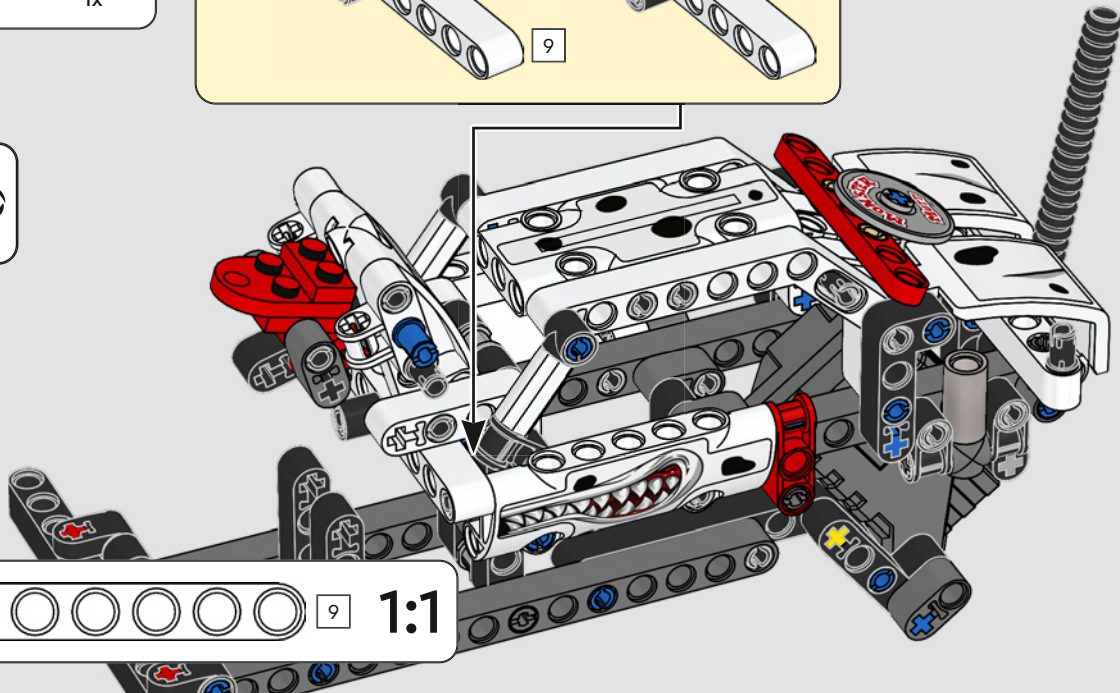
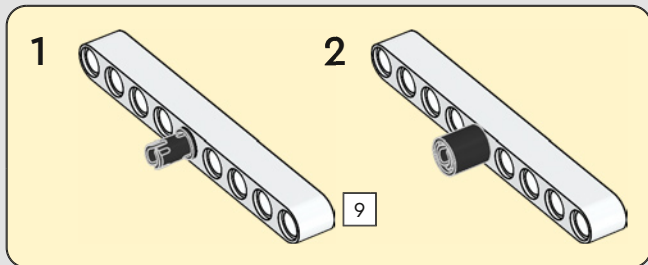


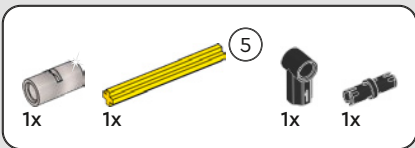




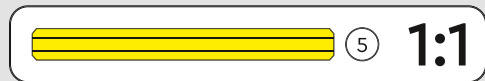
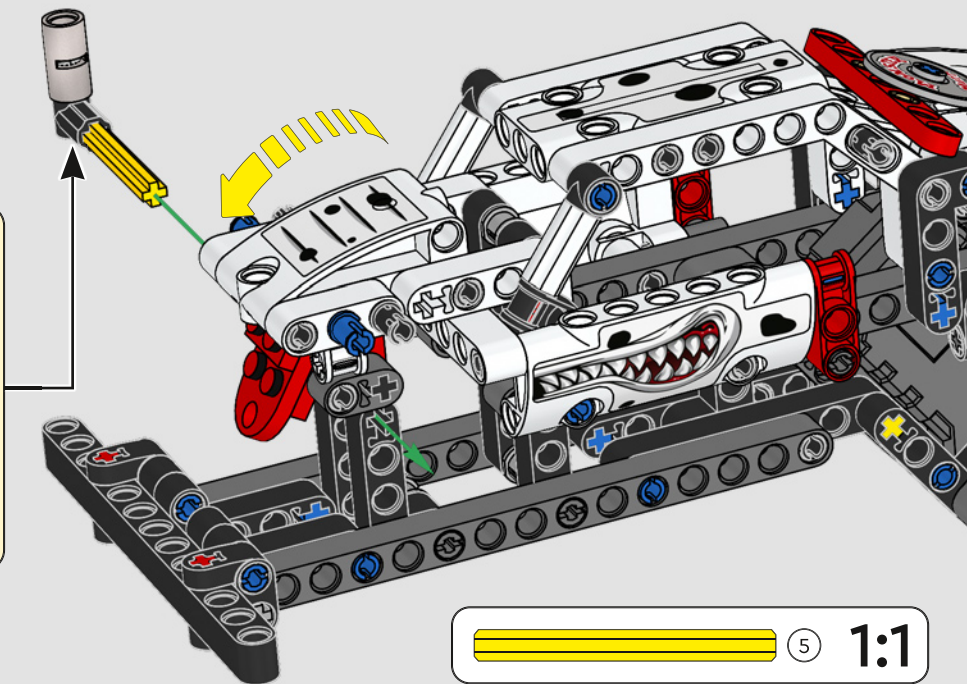
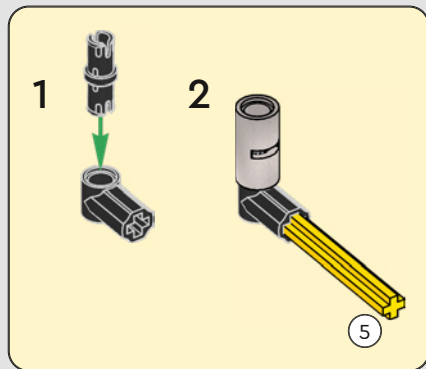


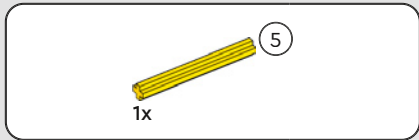
49



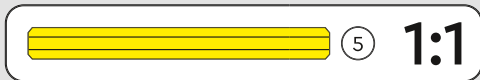
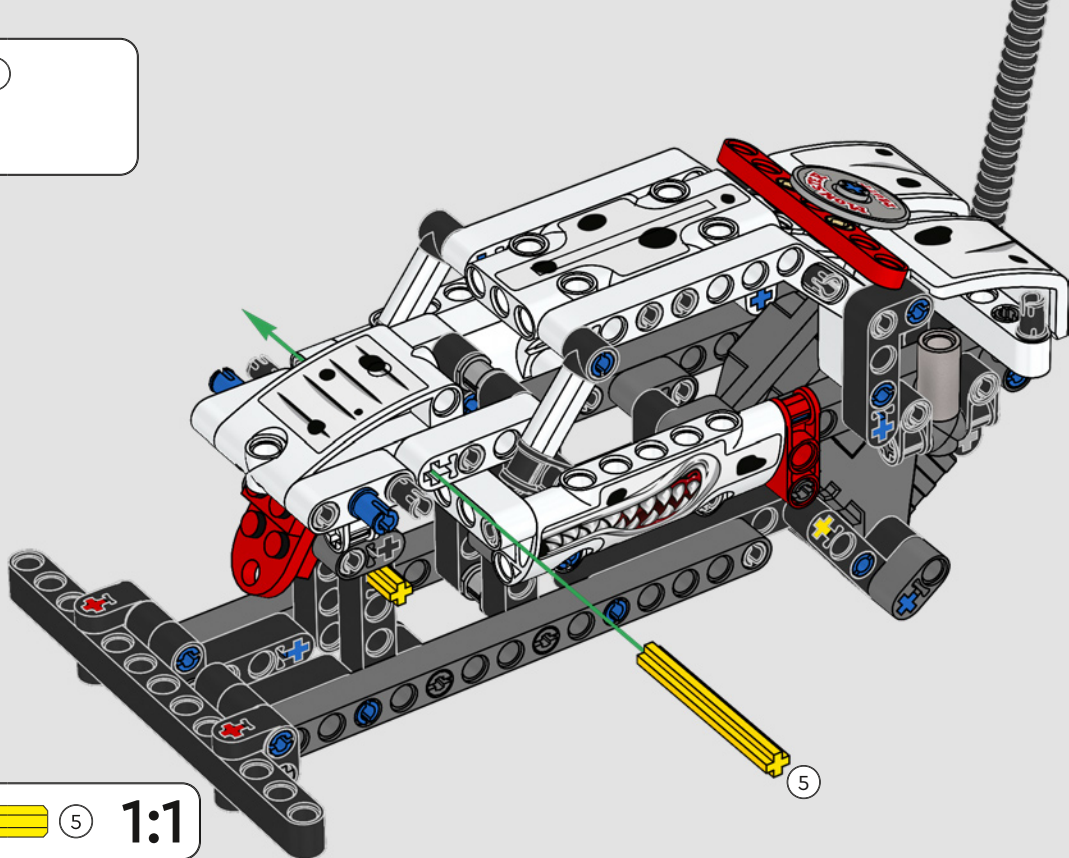


50



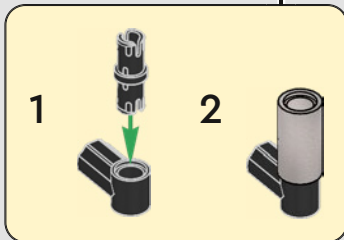
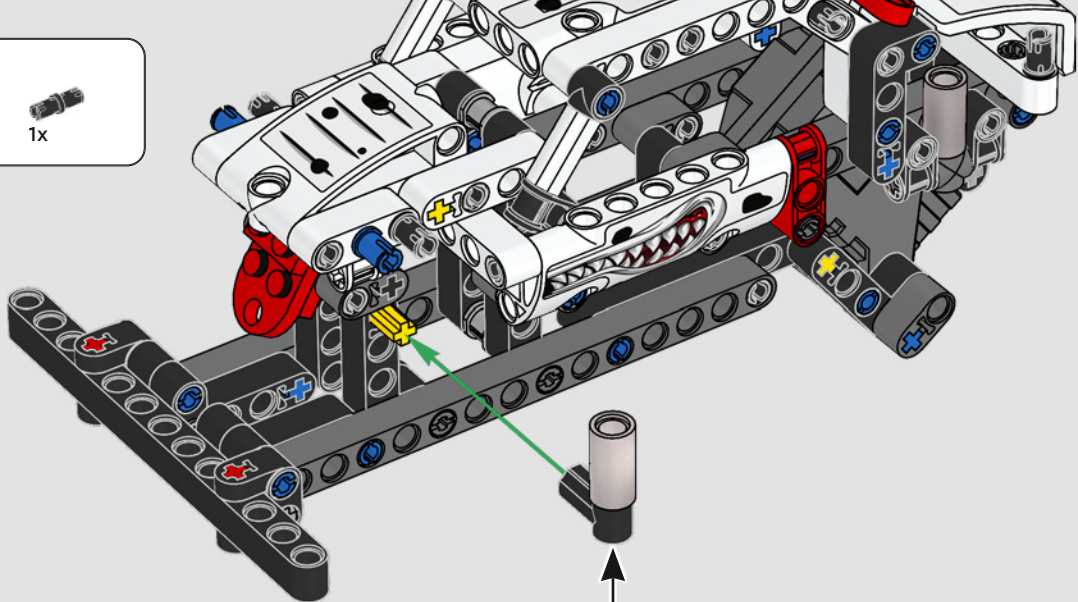


51

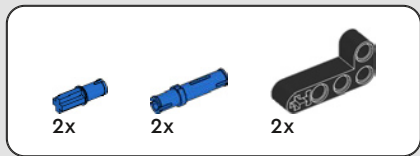




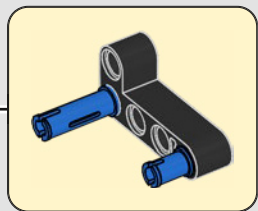
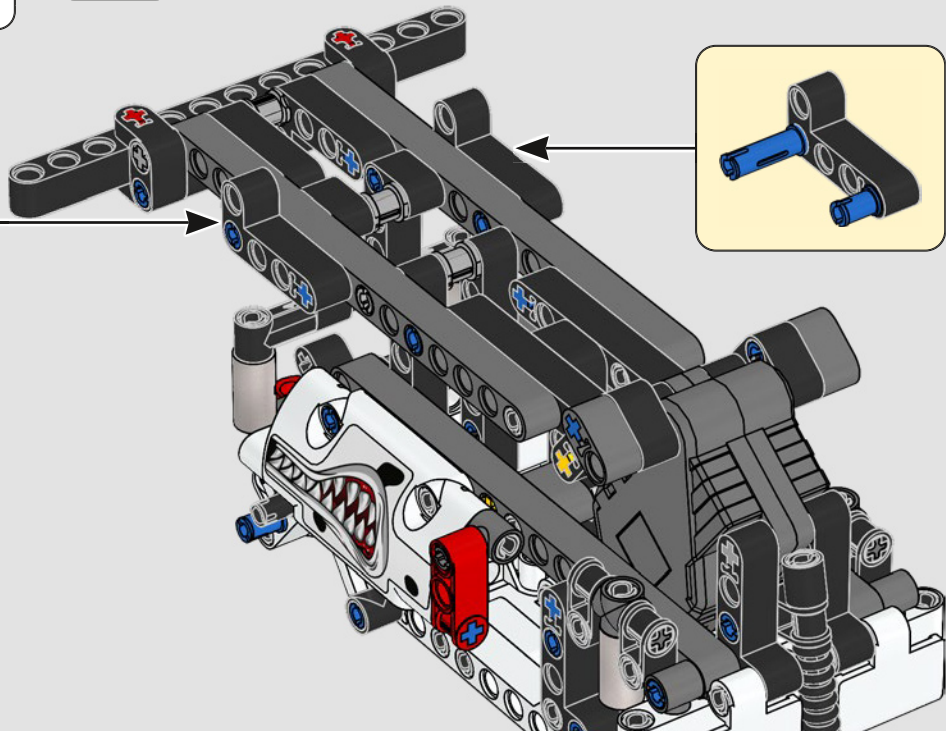
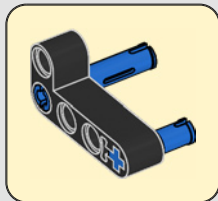
52

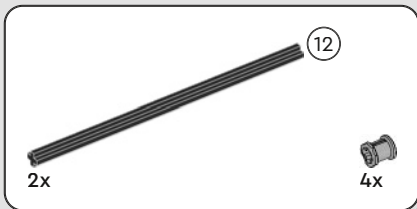




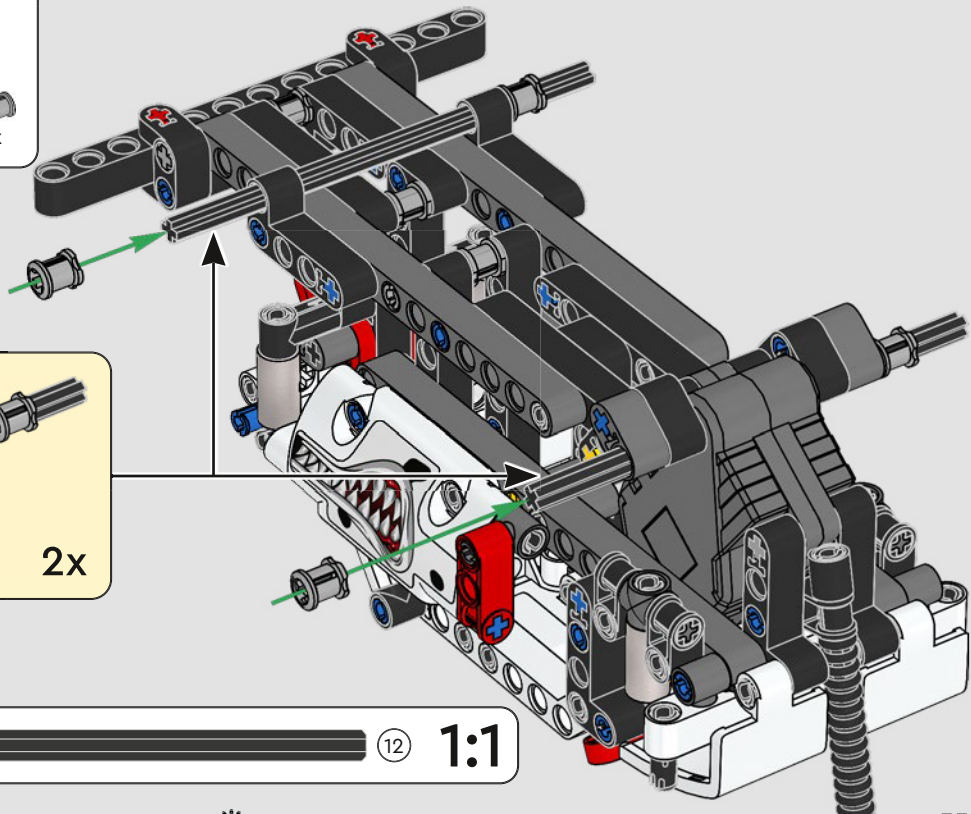
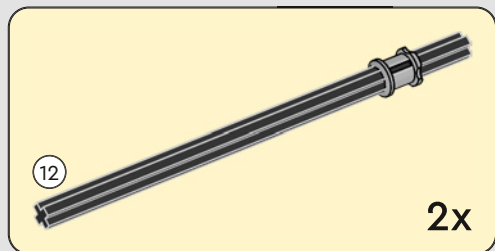


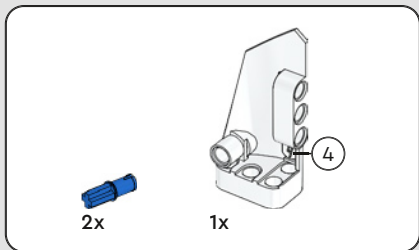
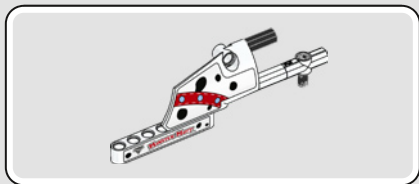
53



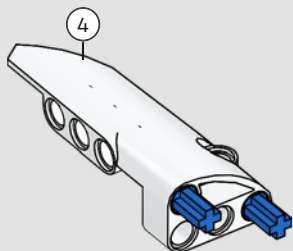


54

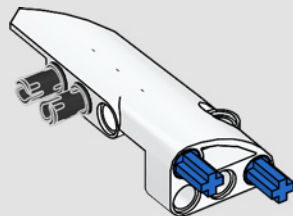




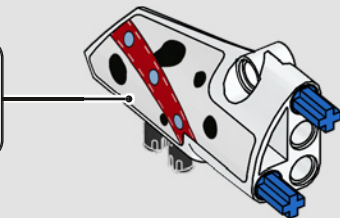
55



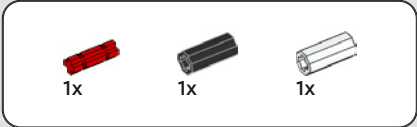
56



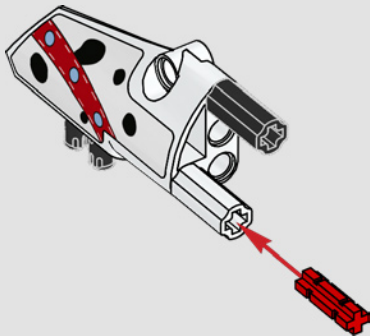
57



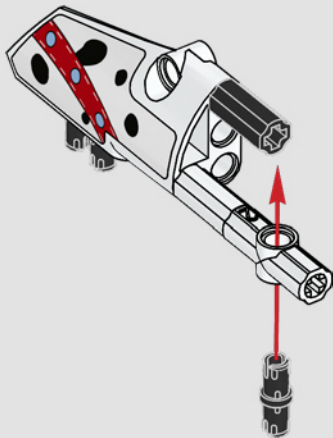


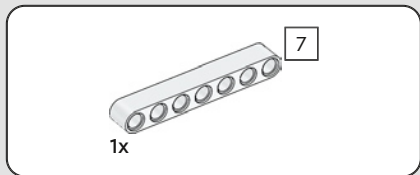


58

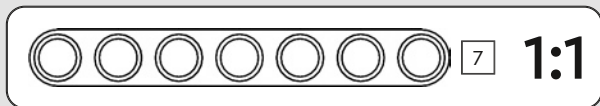
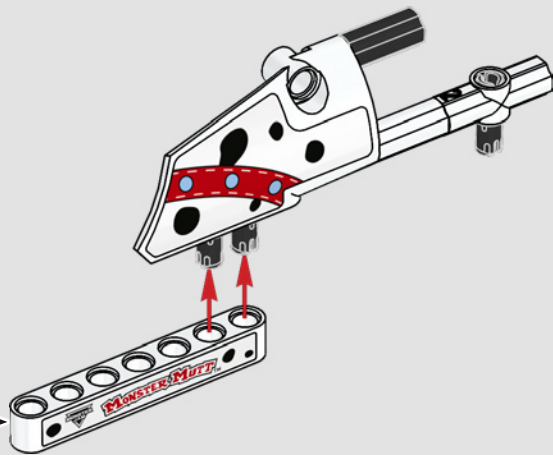
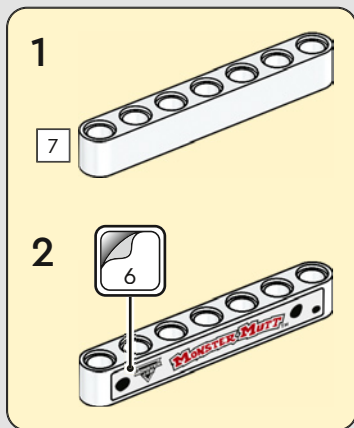


59

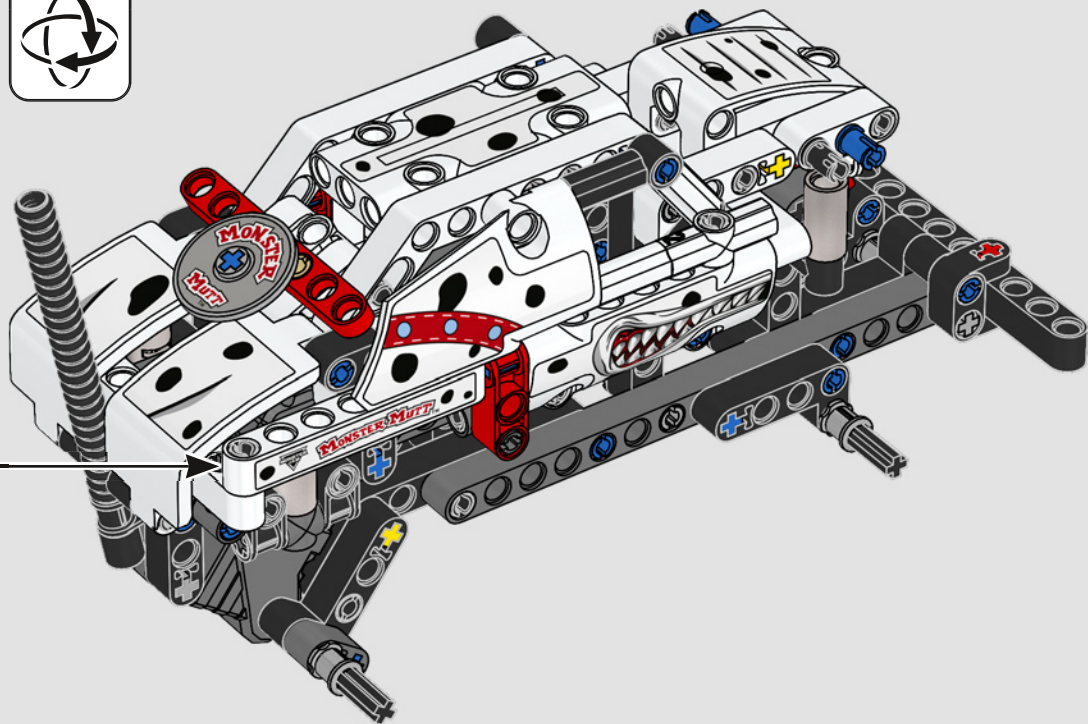


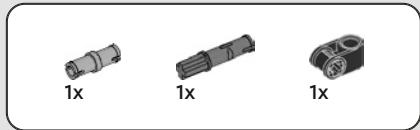


60

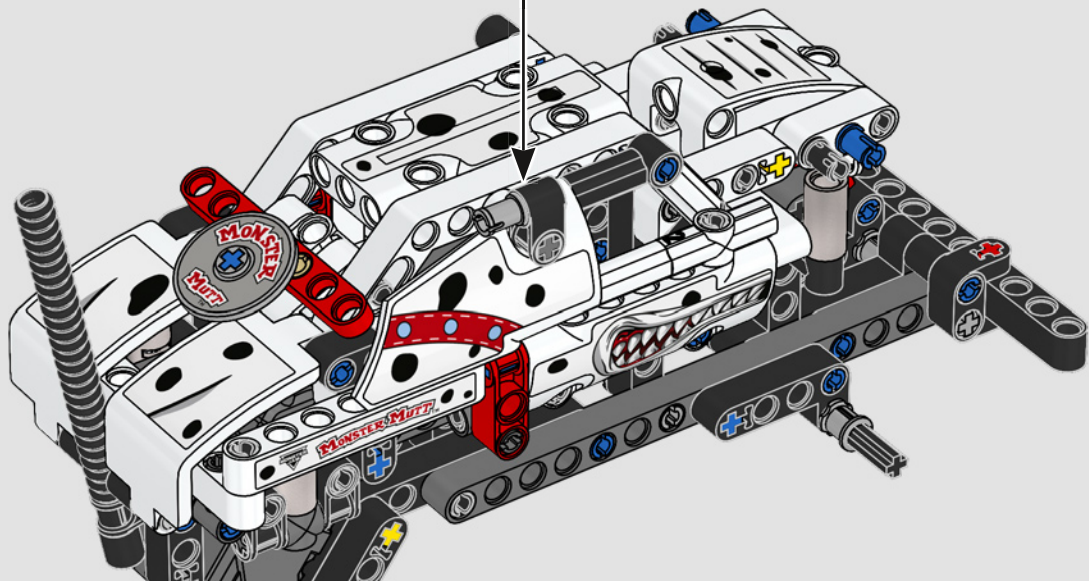
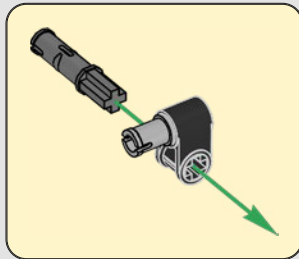


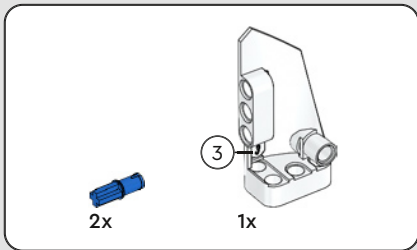
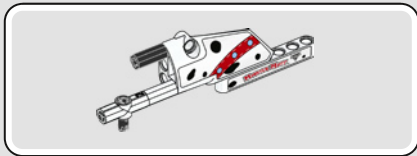
61



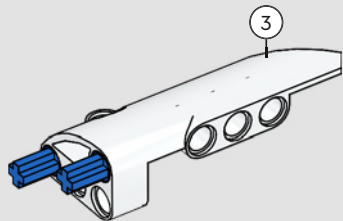


62

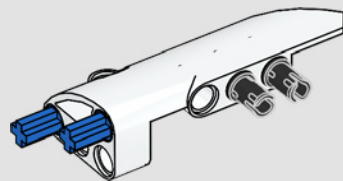




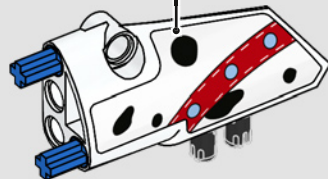
63

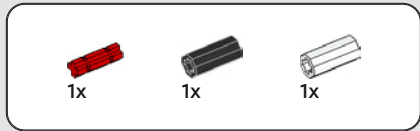


64

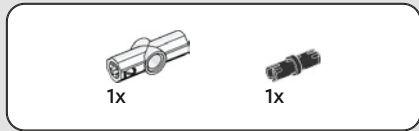
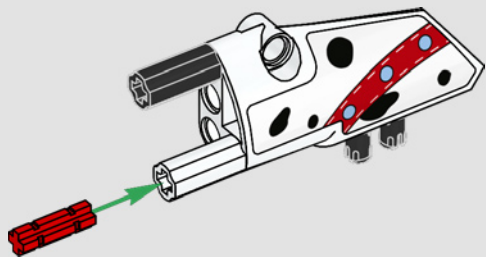


65

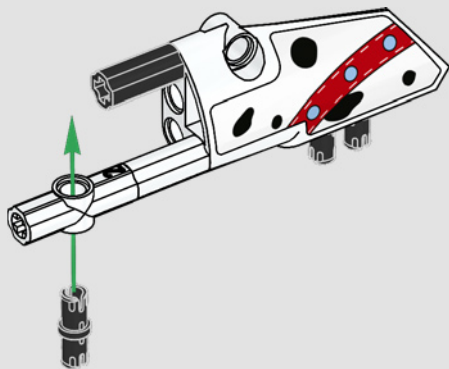


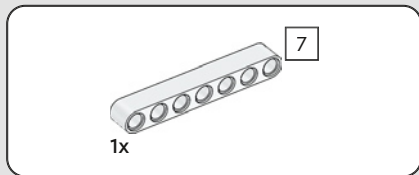


66

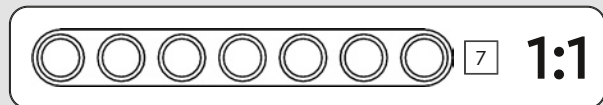
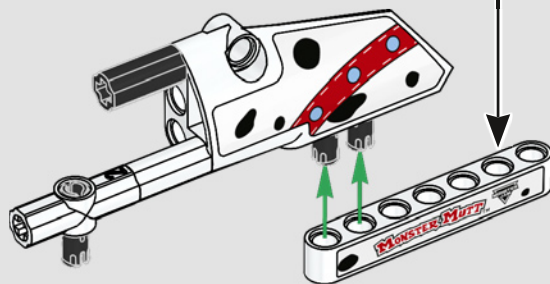
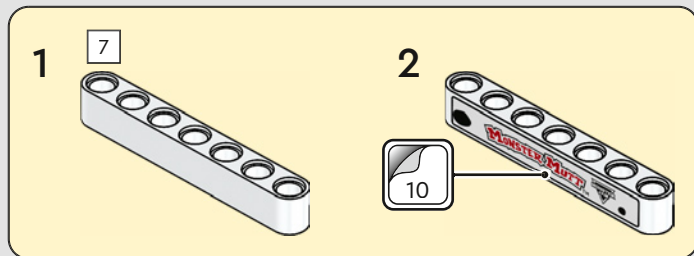


67

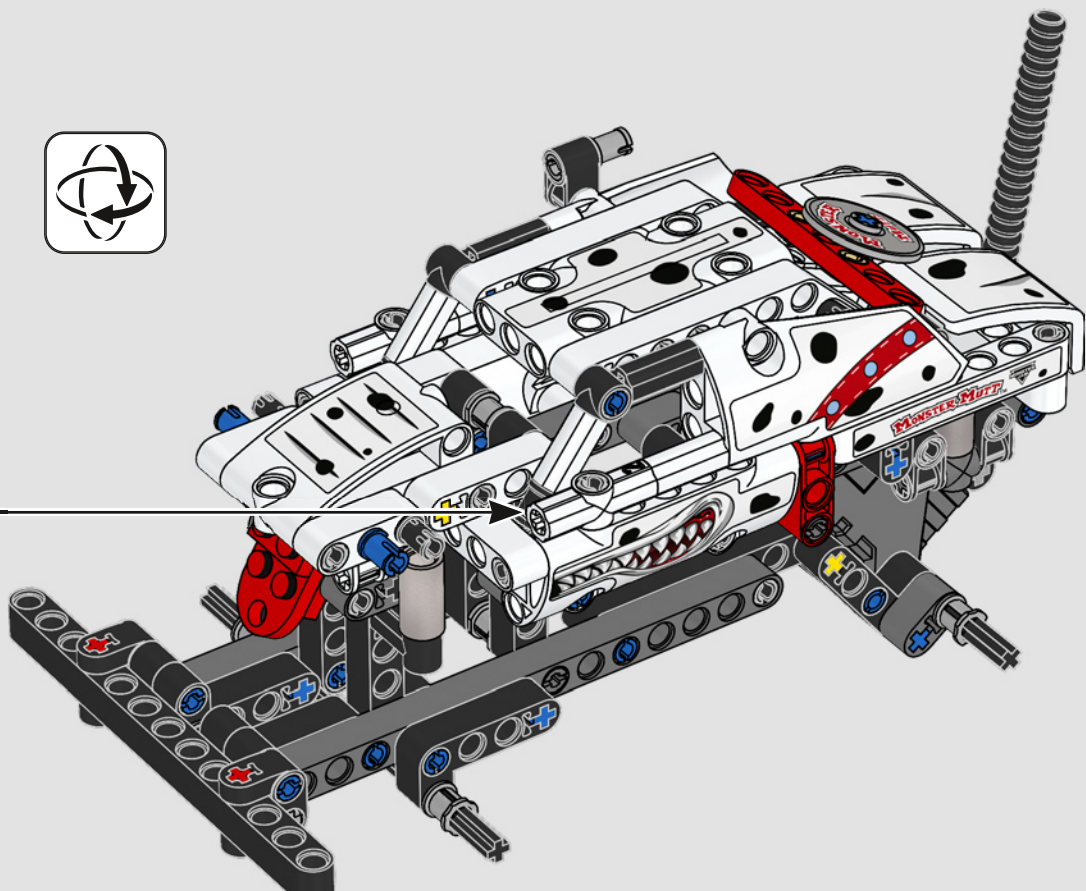




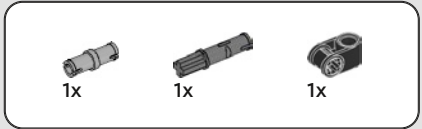
68



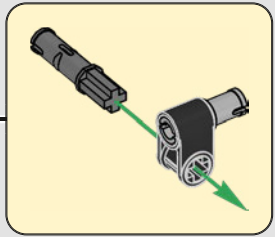
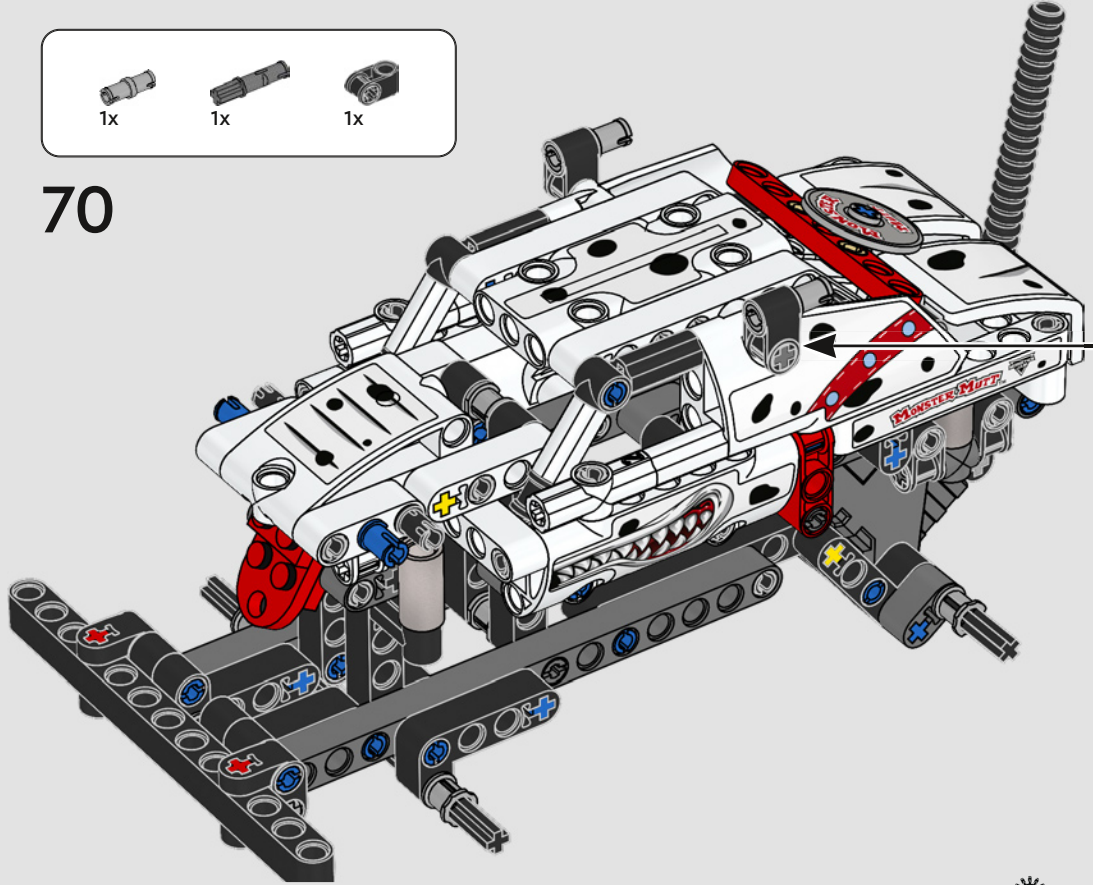
69







# 70



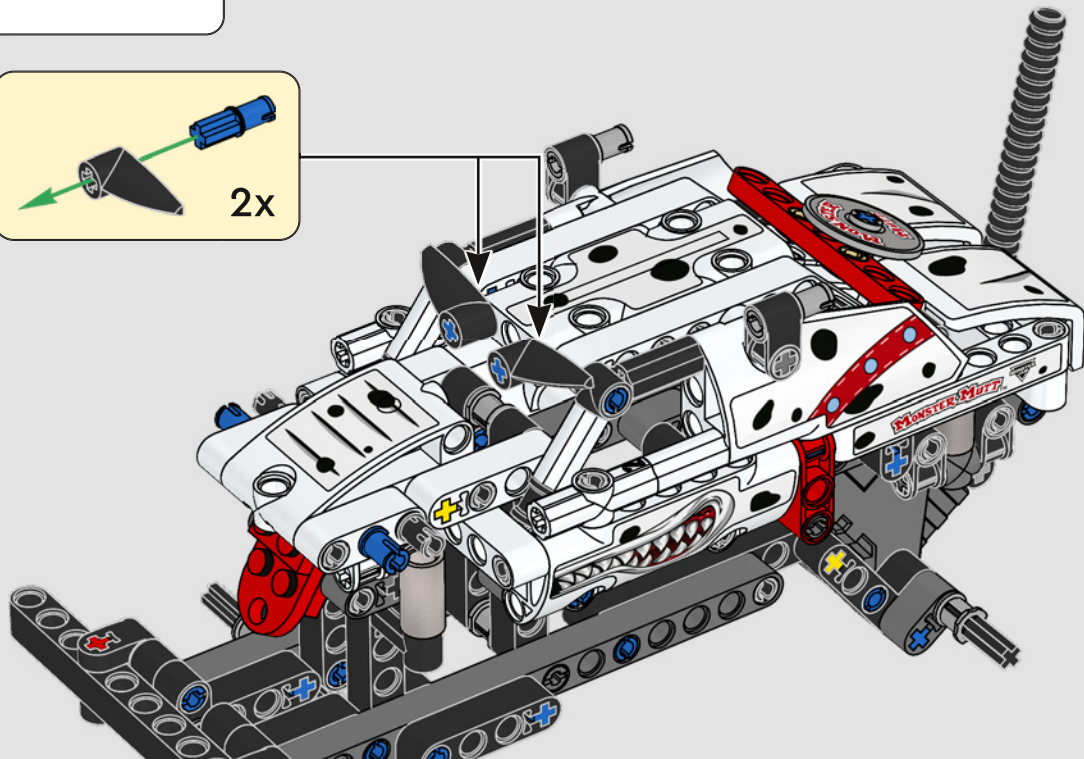
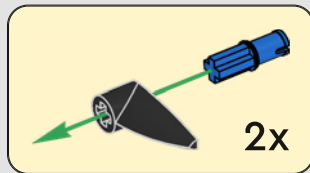


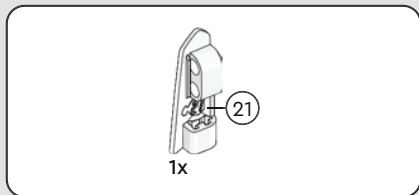
2x



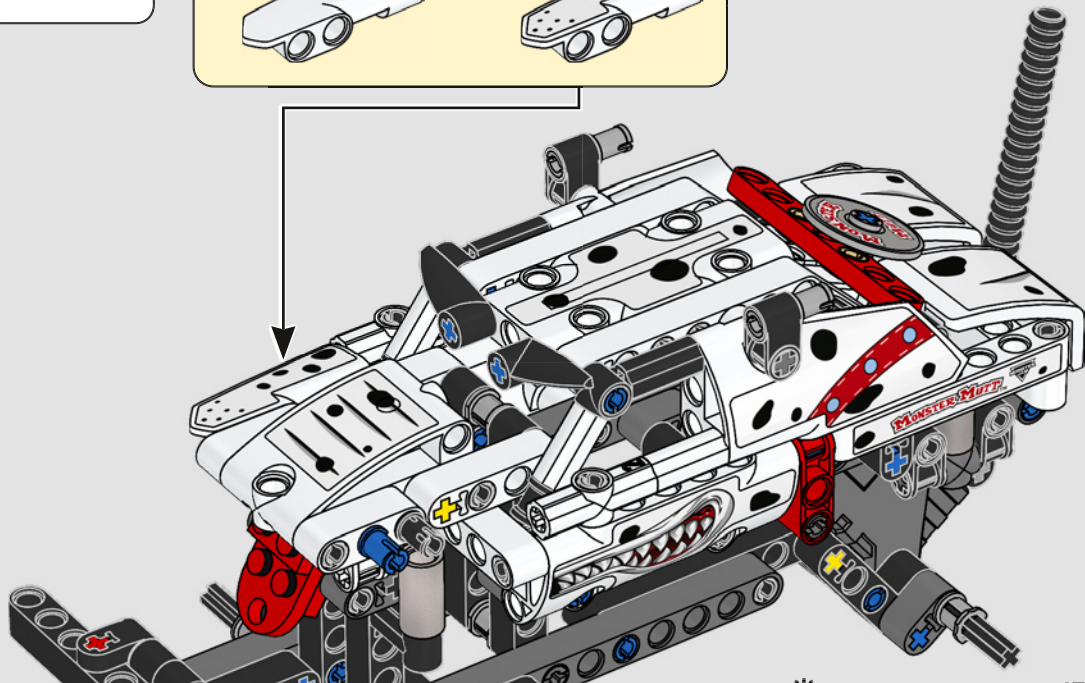
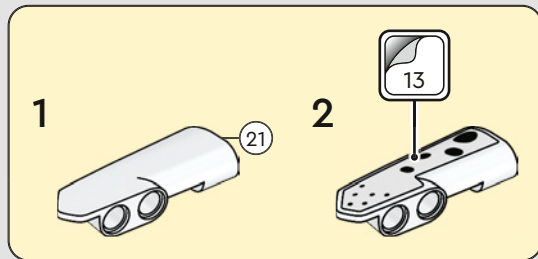
2x

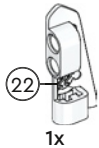
71





72





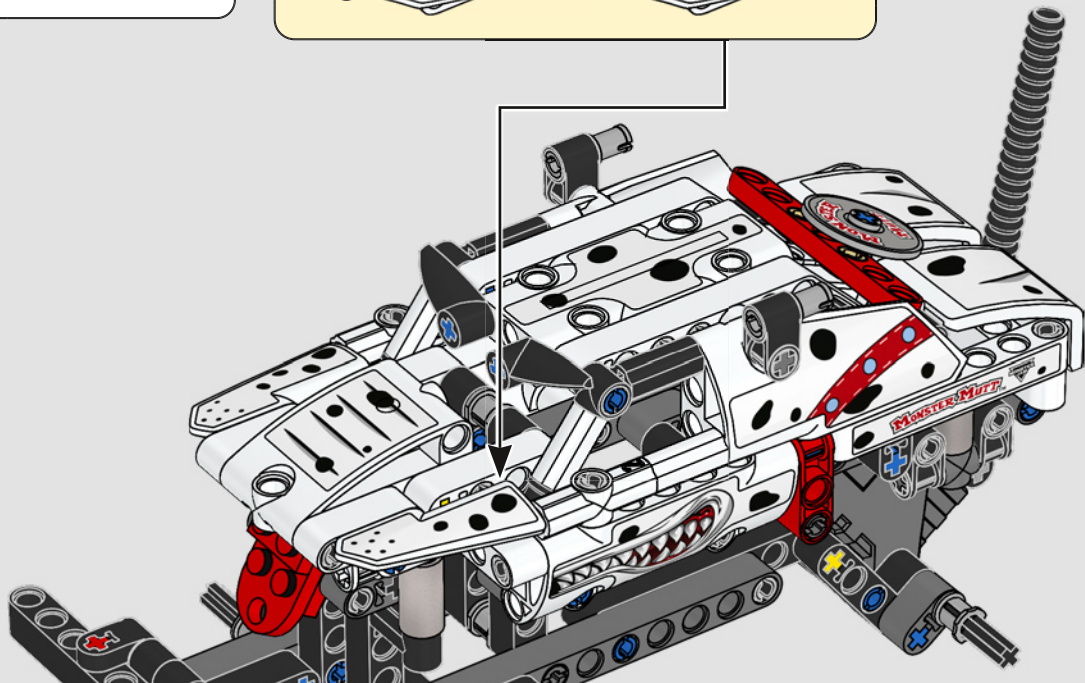
1

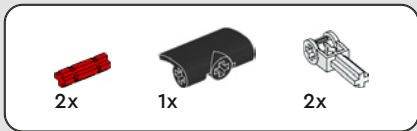
22

2

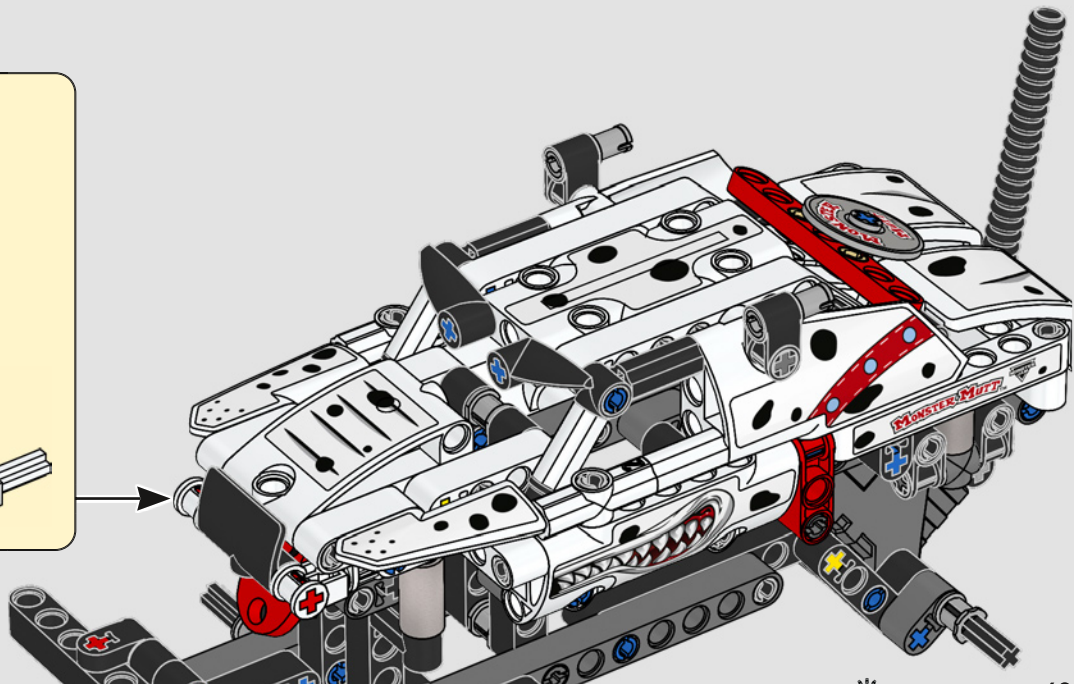
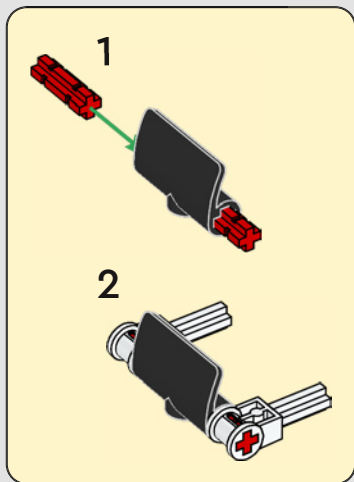
11

73





74

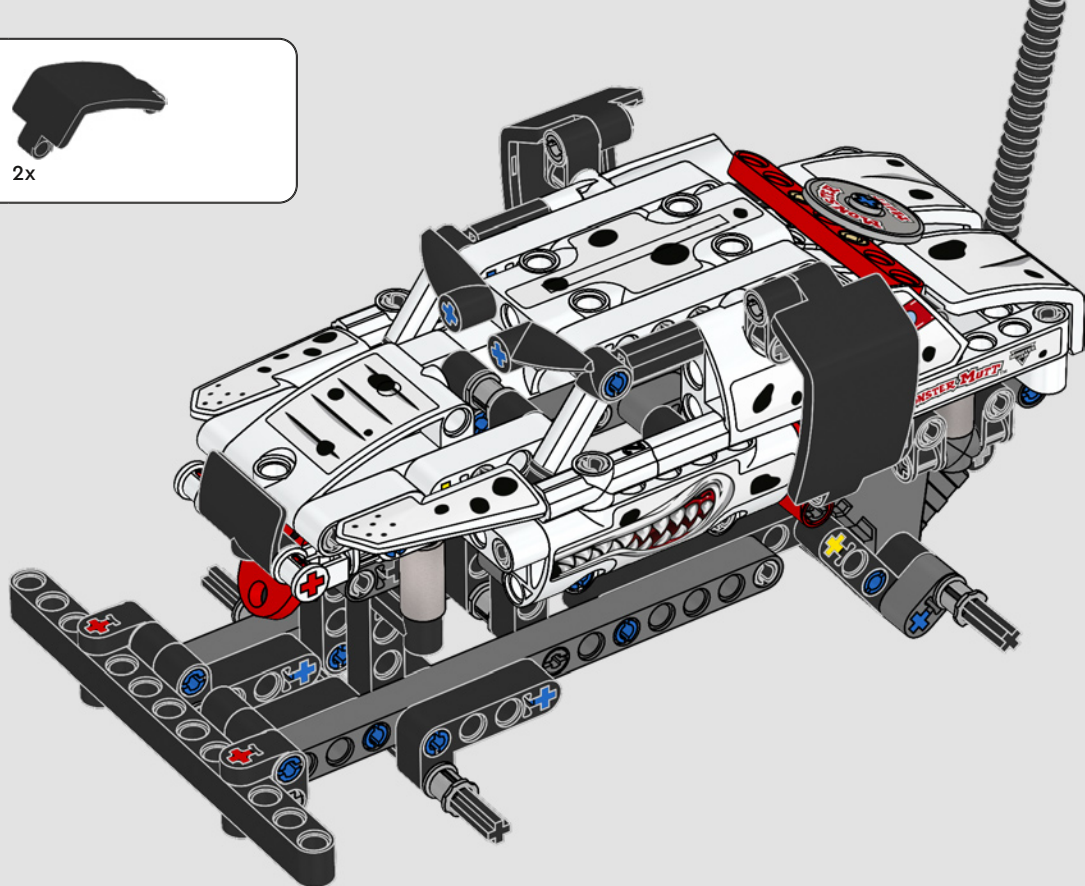


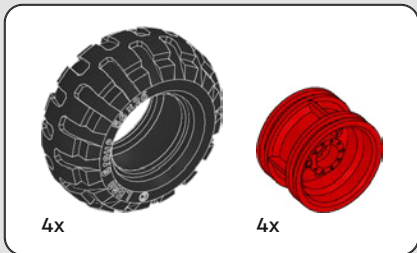




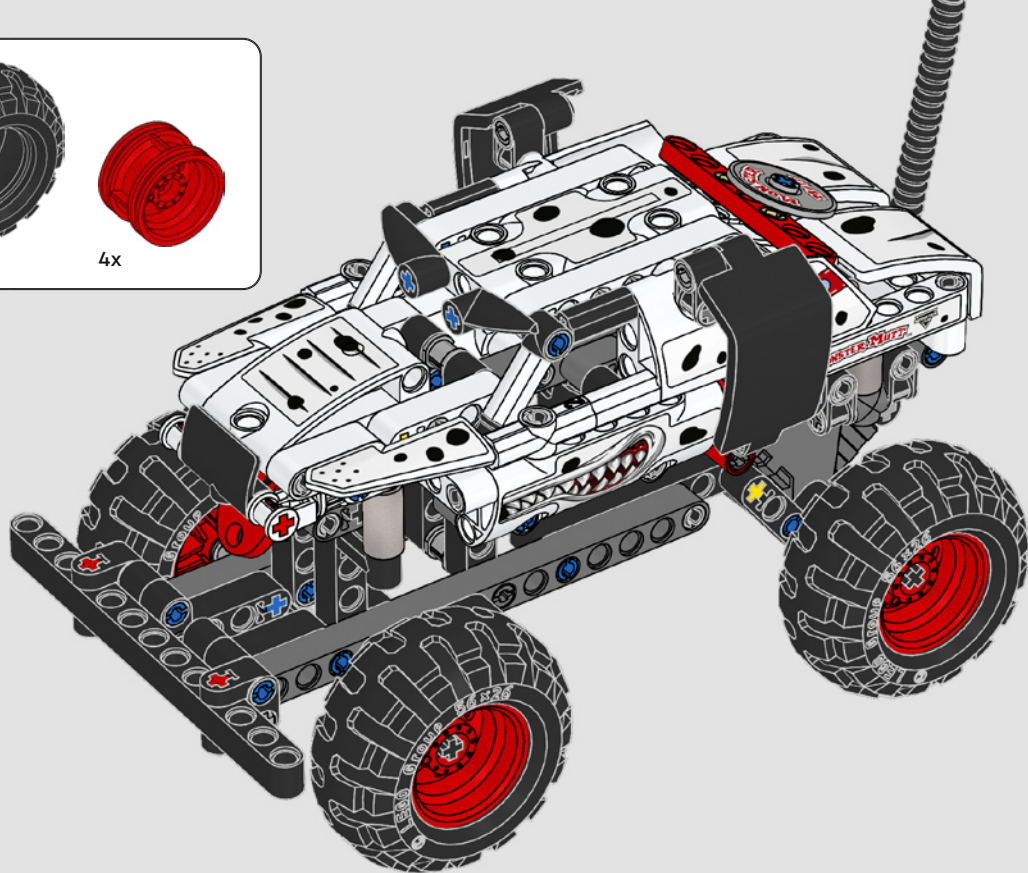
2x

75





76



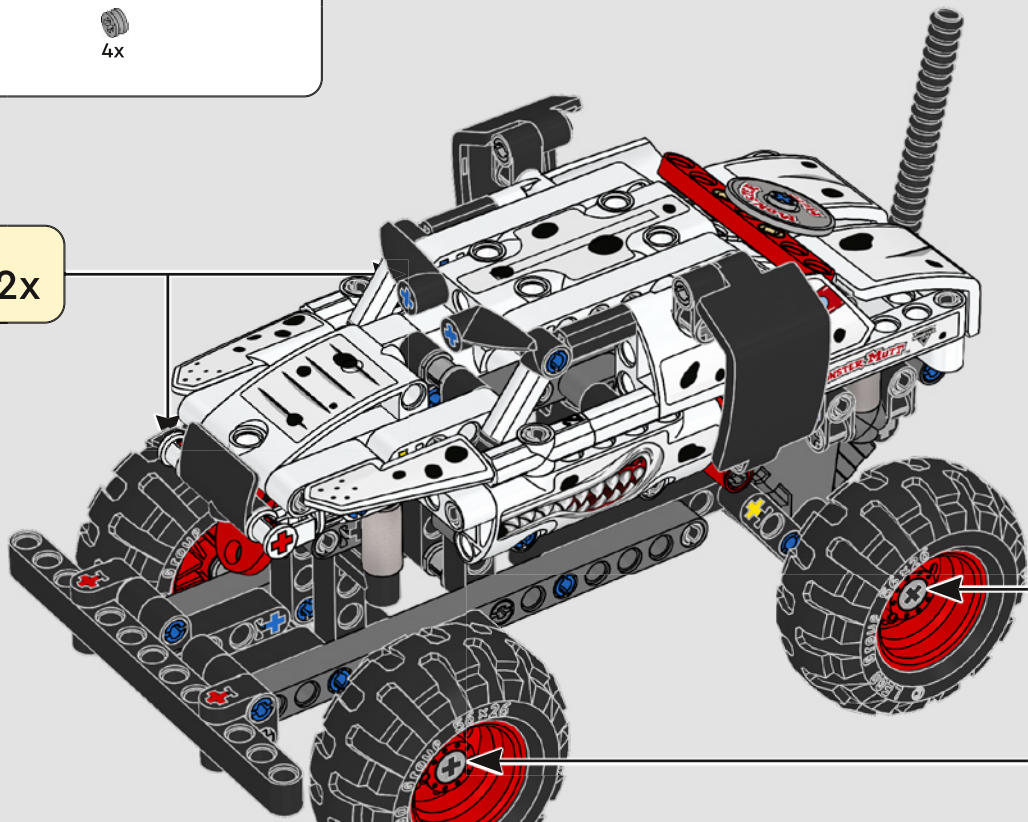


4x

77

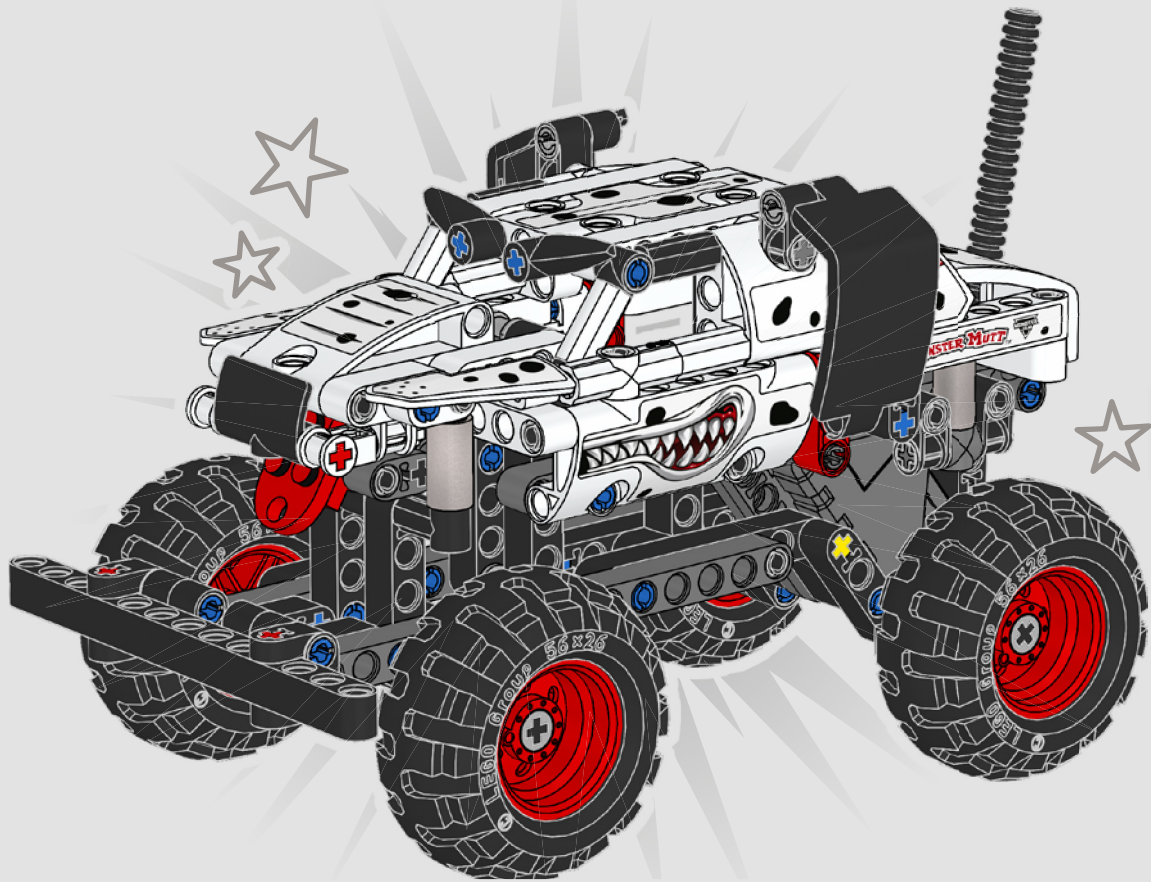


2x



2x







**TECHNIC**<sup>TM</sup>



2x  
6013938

4x  
6212049

2x  
6420462

2x  
6402213

2x  
6271870

1x  
6247424

2x  
6271824

2x  
6268001

1x  
6420460

2x  
6246996

1x  
6345328

2x  
4495927

2x  
6001831

2x  
6271161

1x  
6330084

1x  
4547582

1x  
6343987

1x  
4547581

1x  
4211815

4x  
6130008

2x  
6371442

9x  
4142865

1x  
302321

2x  
6273712

1x  
281721

1x  
4188189

4x  
6414466

1x  
6349634

3

5

2x  
6284699

4x  
6121485

9x  
6261371

45x  
6279875

2x  
6253260

2x  
4512363

2x  
6349281

2x  
6288220

2x  
6089119

1x  
6331026

2x  
6284699

2x  
6288220

2x  
6089119

1x  
6331026

1x  
6331026

24x  
4206482

18x  
6299413

4x  
6245499

1x  
370526

14x  
6271825

1x  
6420612

2x  
6268012

4x  
4297209

4x  
4297209

4x  
4297209

4x  
4297209

4x  
4297209

4x  
4297209

4x  
4297209

4x  
4297209

4x  
4297209

4x  
4297209

4x  
4297209

1x  
4211805

4x  
4542576

2x  
370826

2x  
4495935

1x  
4522933

2x  
6276835

5x  
6271165

5x  
6275844

2x  
4211807

2x  
4211807

2x  
4211807

2x  
4211807

2x  
4211807

2x  
4211807

2x  
4211807

2x  
4211807

2x  
4211807

2x  
4211807

7

15

12

7

13

7

13

7

7

7

7

7

7

7

1x  
6143751

4x  
6282144

6x  
6265093

2x  
6167281

5x  
6015356

3x  
6321747

1x  
4667578

1x  
6338962

1x  
6338962

1x  
6338962

1x  
6338962

1x  
6338962

1x  
6338962

1x  
6338962

1x  
6338962

1x  
6338962

1x  
6338962

1x  
6338962

1x  
6338962

1x  
6338962

1x  
6338962

1x  
6338962

1x  
6338962



 [LEGO.com/service](https://www.LEGO.com/service)

YOU COULD  
**WIN**



Scan this QR code or go to  
**LEGO.COM/PRODUCTFEEDBACK** and give us  
your short feedback about this LEGO® set for  
a chance to win a cool LEGO prize.

Terms and Conditions apply\*



**DE: Du könntest GEWINNEN.** Es gelten die Teilnahmebedingungen\* **FR: Tu pourrais GAGNER.** Des conditions s'appliquent\* **IT: Potresti VINCERE tu.** Termini e condizioni sono applicabili\* **ES: Puedes GANAR.** Aplican términos y condiciones\* **PT: Poderá GANHAR.** Aplicam-se termos e condições\* **JA: プレゼント付き! 利用規約が適用されます\*** **ZH: 轻松获奖. 条款和条件适用\*** **KO: 상품의 주인이 되어보세요. 소정의 약관이 적용됩니다\*** **RU: Вы можете ВЫИГРАТЬ.** Действуют положения и условия\* **PL: Szansa na WYGRANĄ.** Obowiązują warunki korzystania\* **CS: Máte šanci VYHRÁT.** Platí všeobecné smluvní podmínky\* **SK: Máte šancu VYHRAŤ.** Platia všeobecné zmluvné podmienky\* **HU: TE IS NYERHETSZ.** Felhasználási feltételek érvényesek\* **RO: Ai putea CÂȘTIGA.** Se aplică termenii și condițiile\* **BG: Можете да СПЕЧЕЛИТЕ.** Има определени правила и условия\* **LV: Tu vari LAIMĒT.** Ir spēkā noteikumi un nosacījumi.\* **ET: Sul on võimalus VÕITA.** Kehtivad tingimused\* **LT: Jūs galite LAIMĖTI.** Taikomos sąlygos\*

\*[LEGO.com/productfeedback/terms](https://www.lego.com/productfeedback/terms)

LEGO and the LEGO logo are trademarks of the LEGO Group. ©2023 The LEGO Group.

©2023 Feld Motor Sports, Inc. MONSTER JAM™, MONSTER MUTT™ DALMATIAN, and all related logos and characters/designs are intellectual property of and used under license from Feld Motor Sports, Inc. All rights reserved.