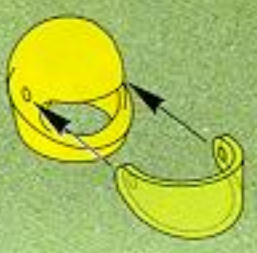
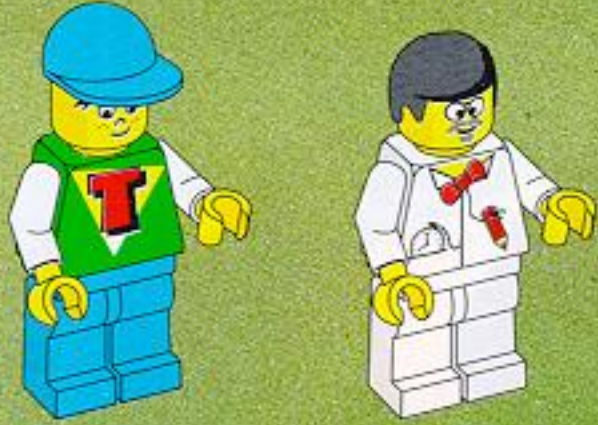




SYSTEM

6492/1853





1



2



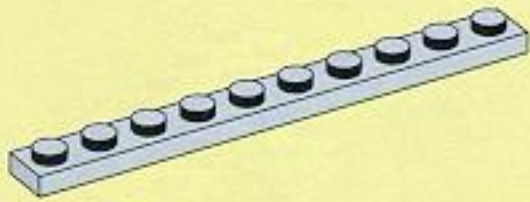
3



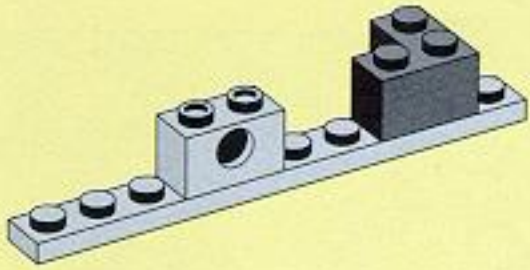
4



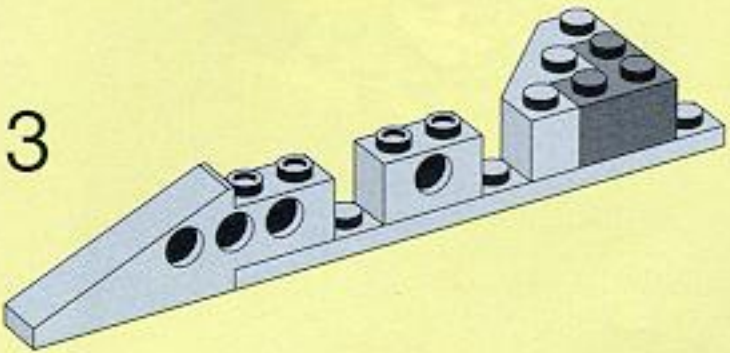
1



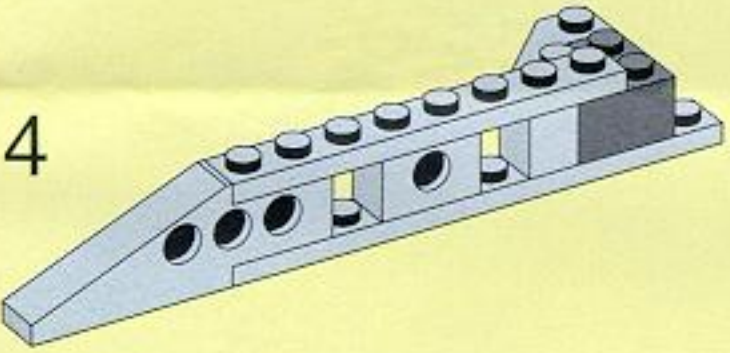
2



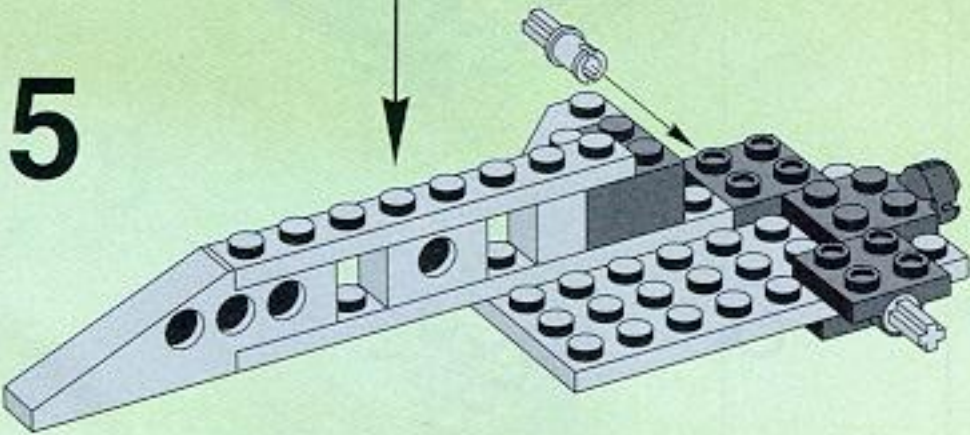
3



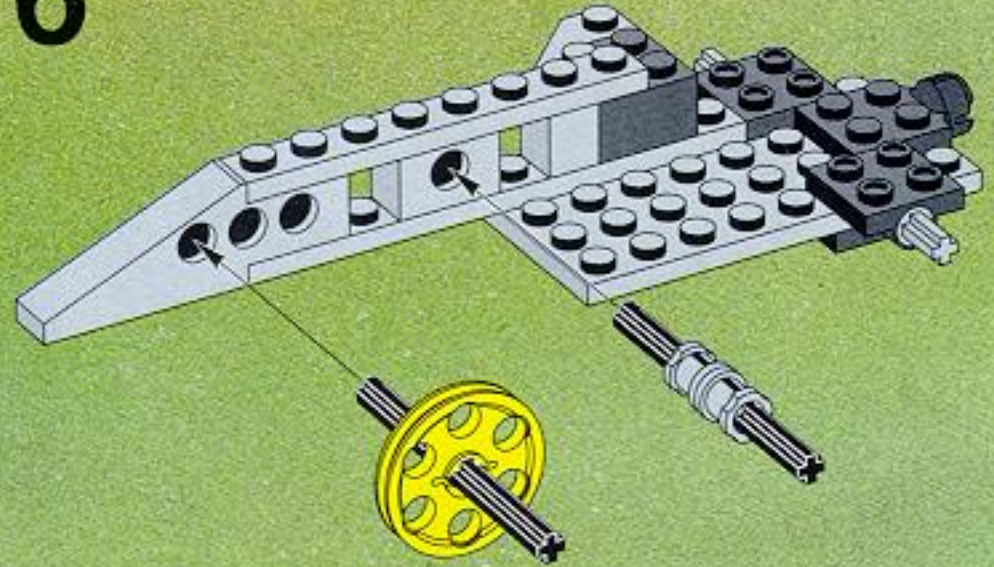
4



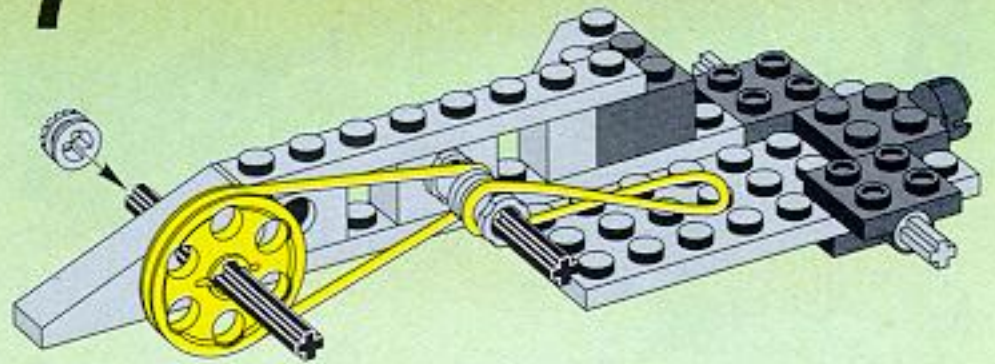
5

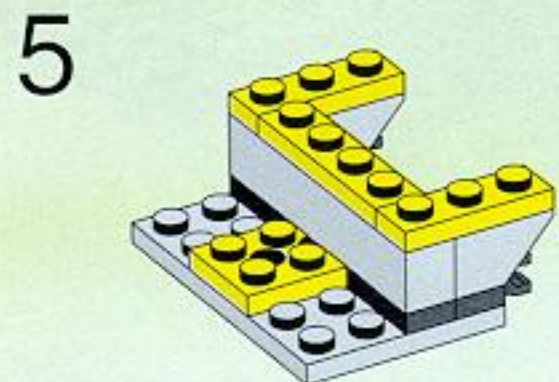
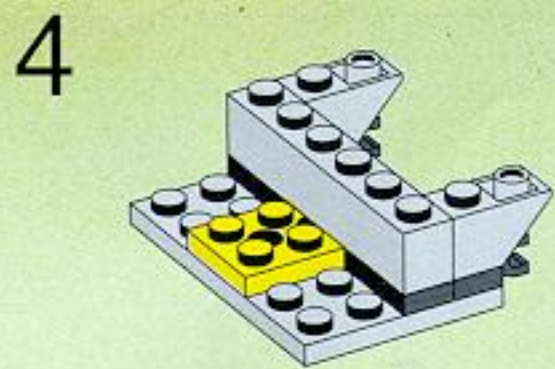
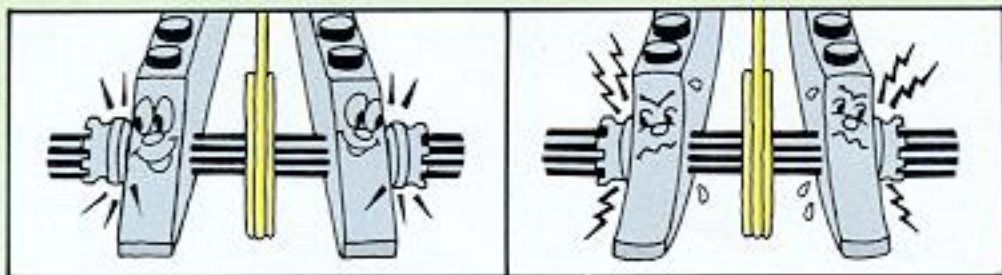
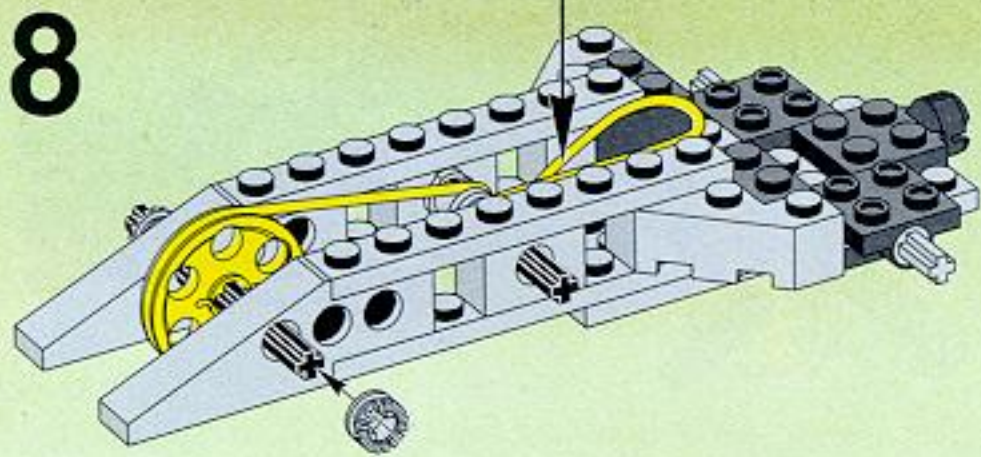
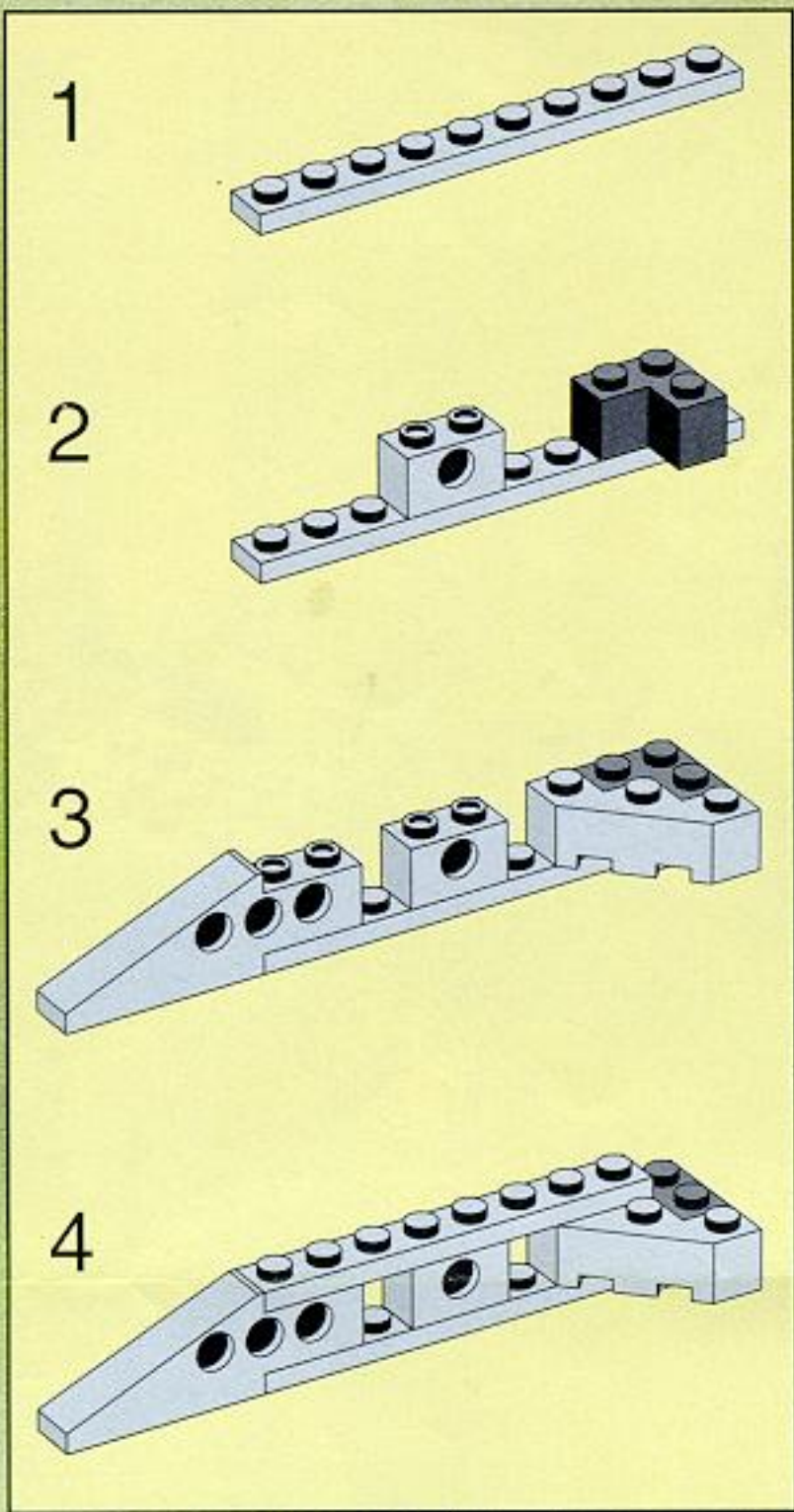


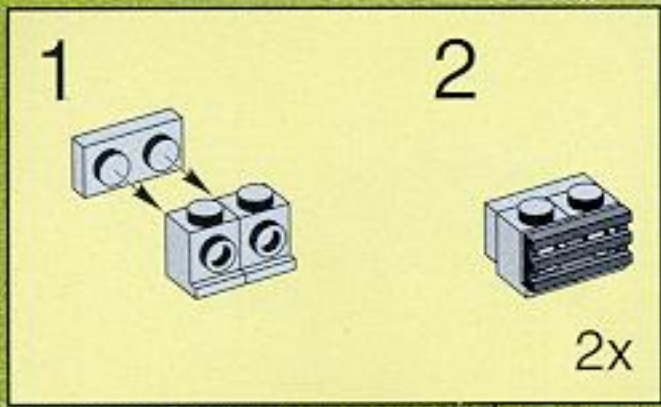
6



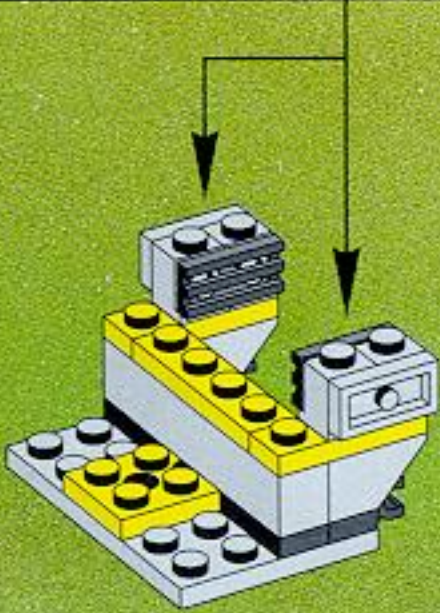
7



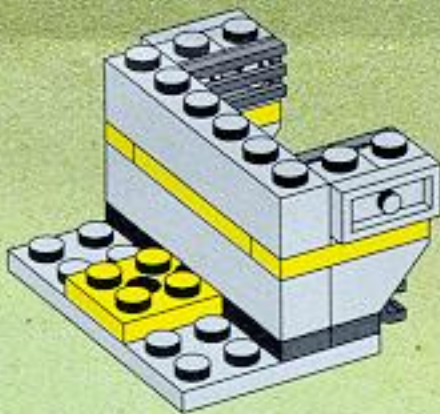




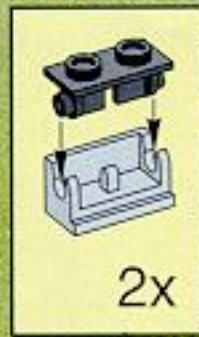
6



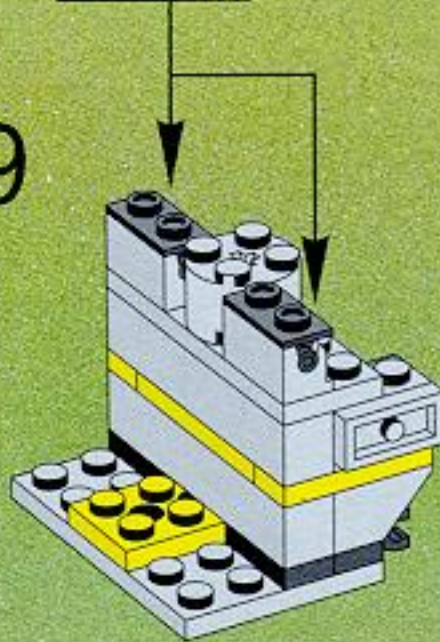
7



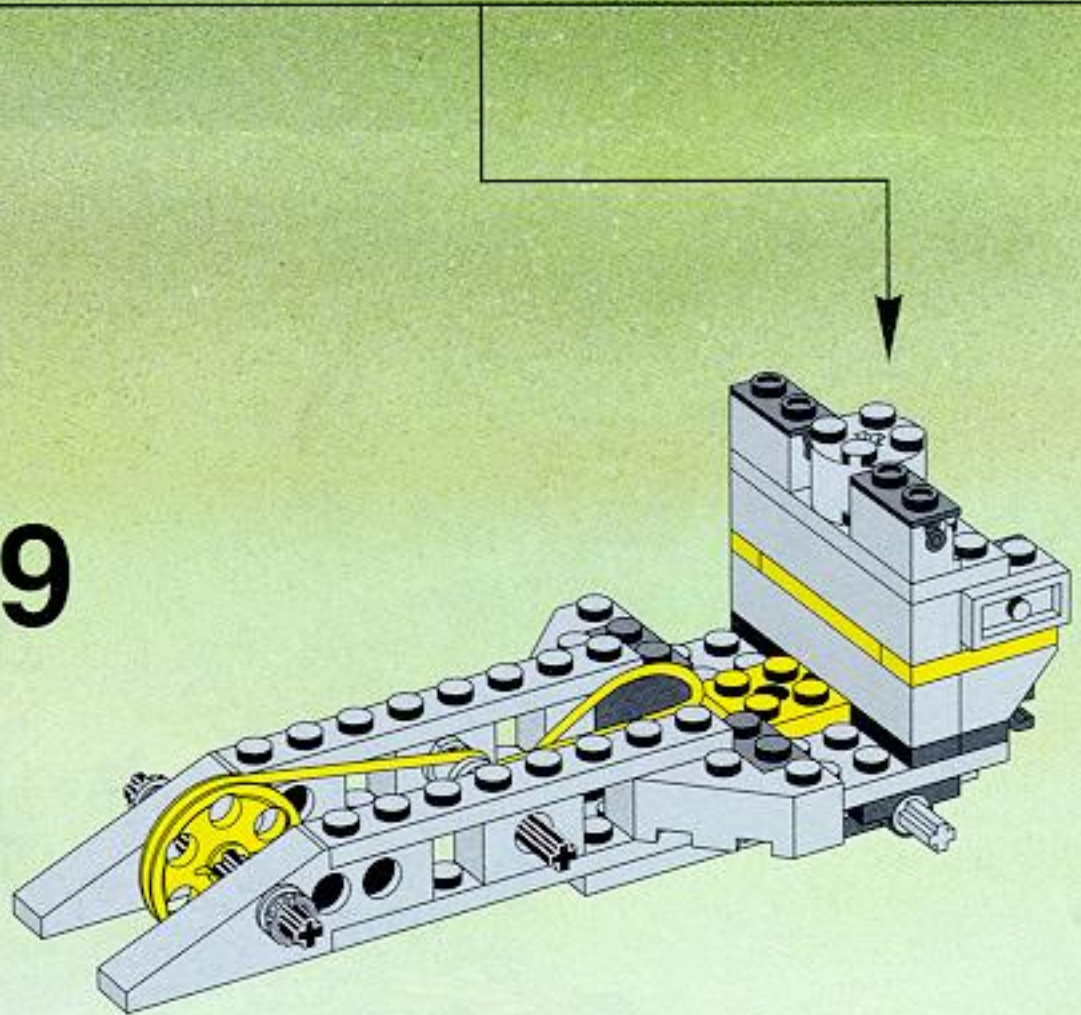
8



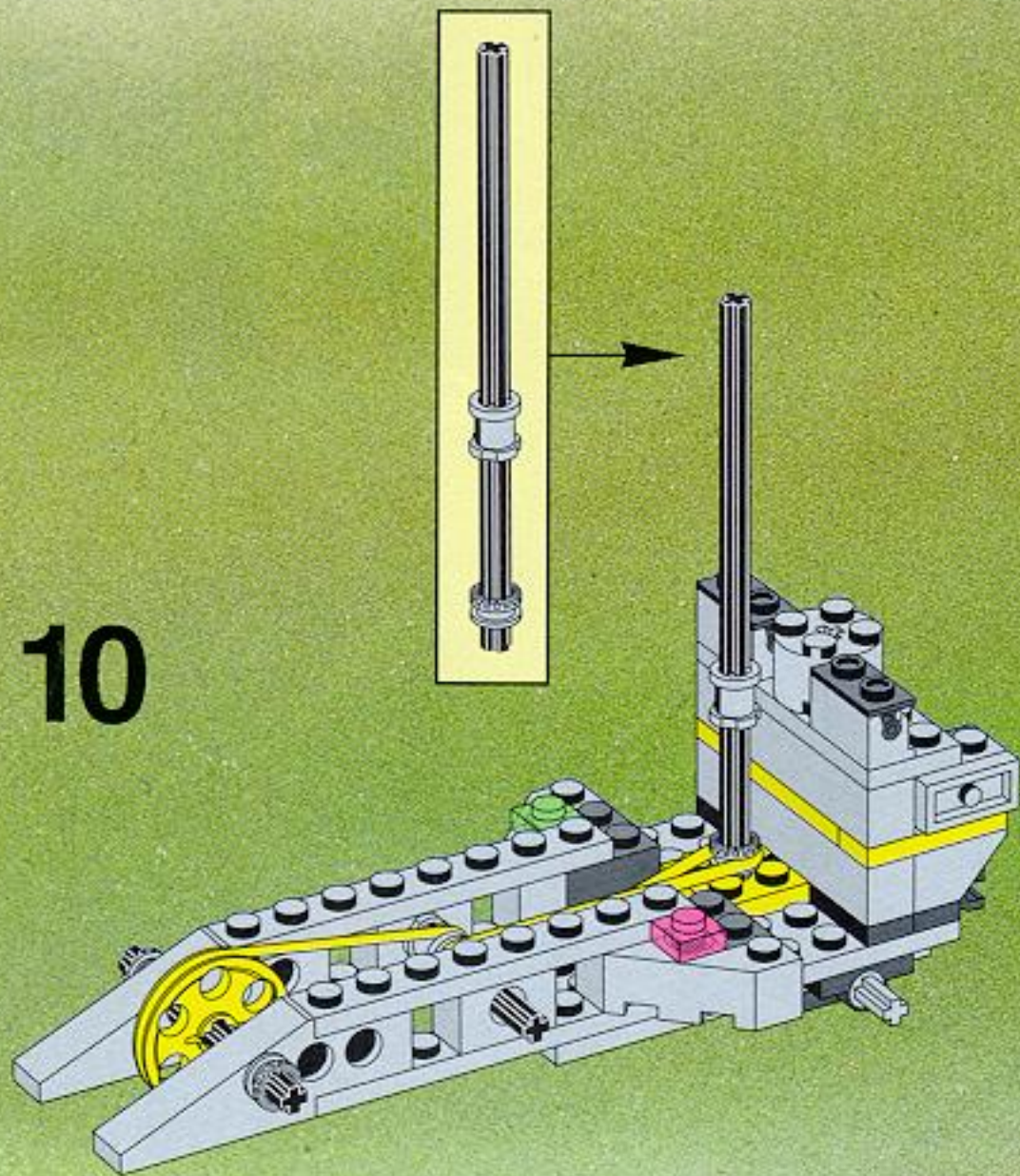
9



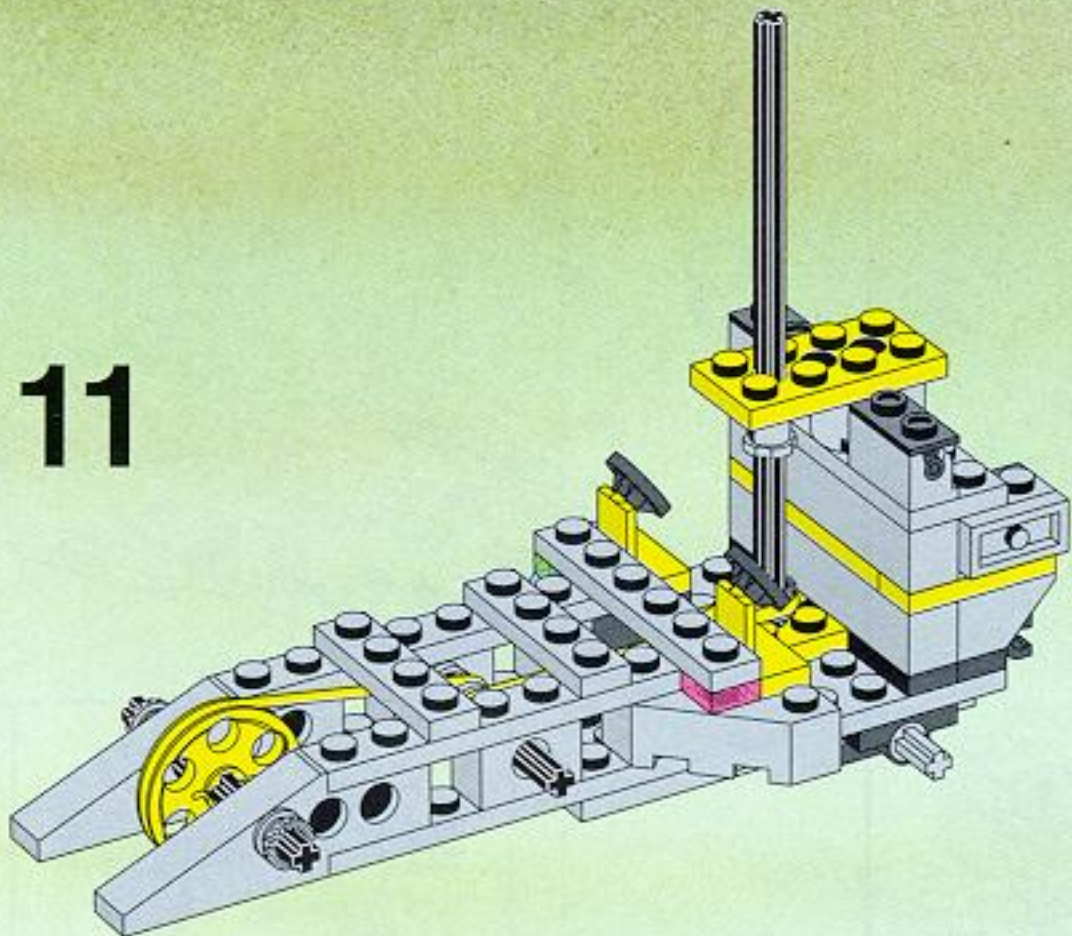
9



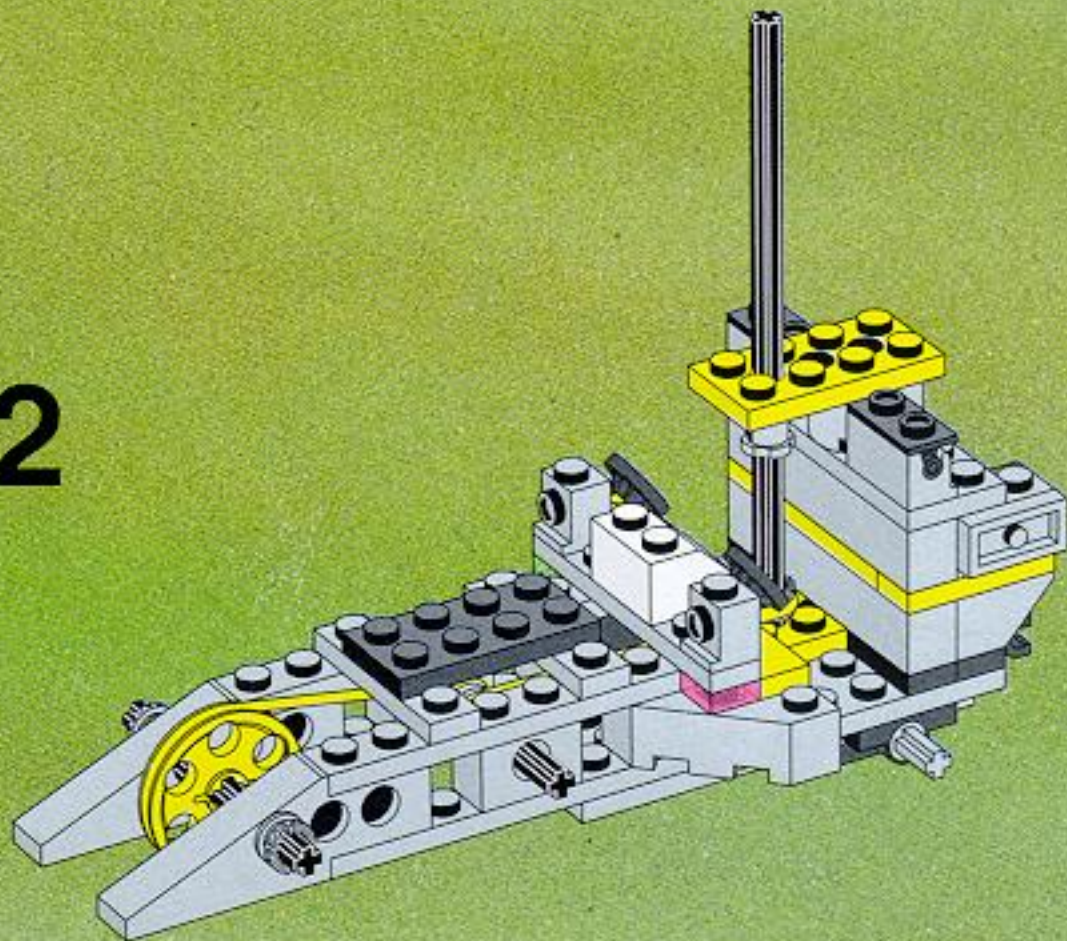
10



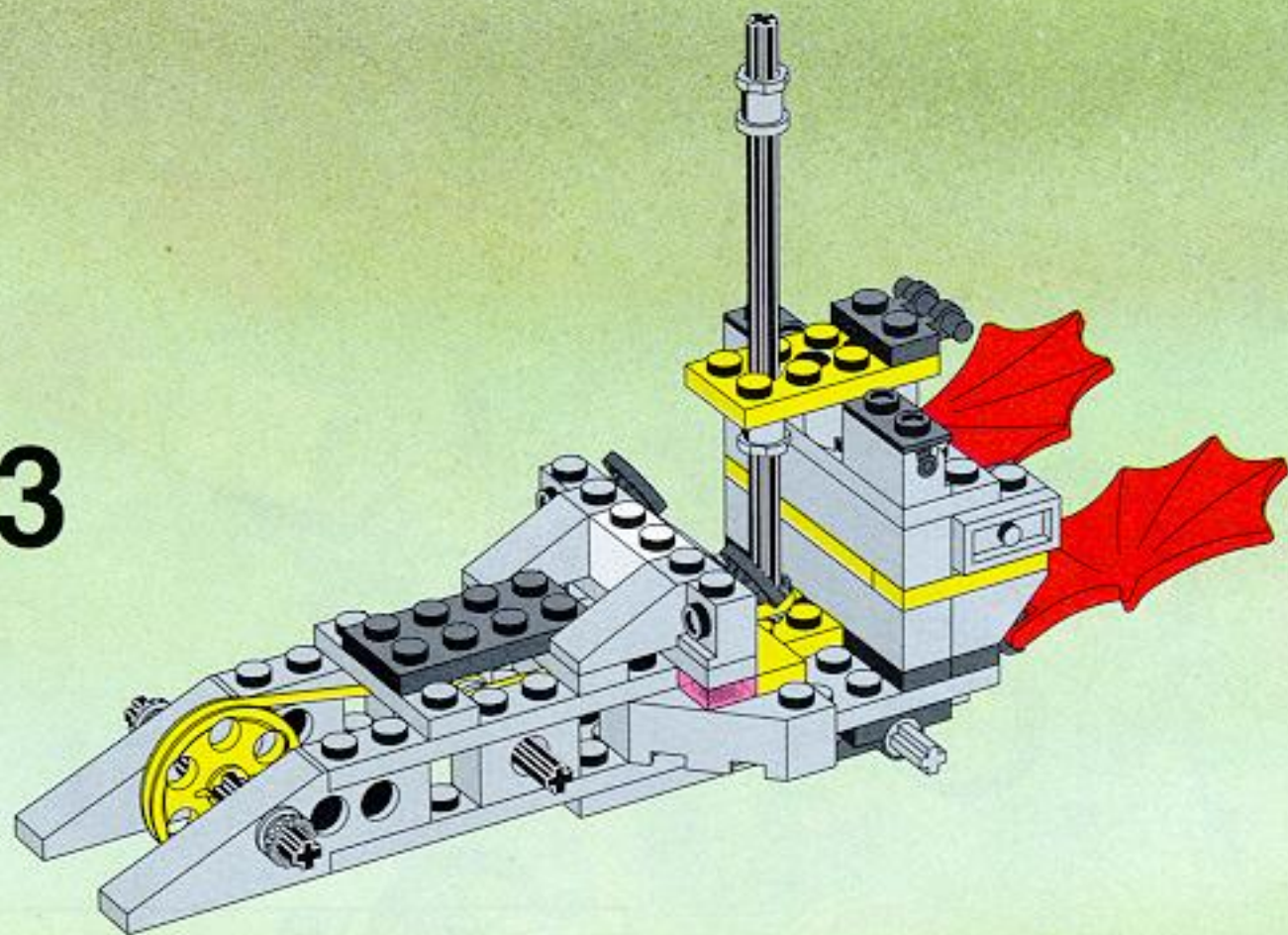
11

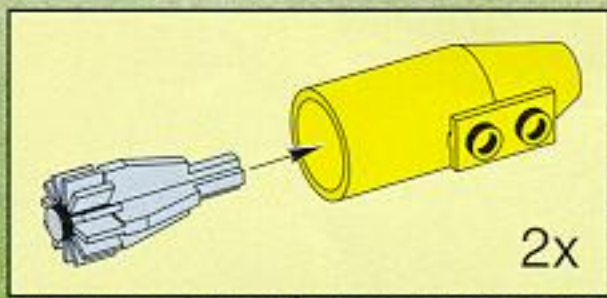


12

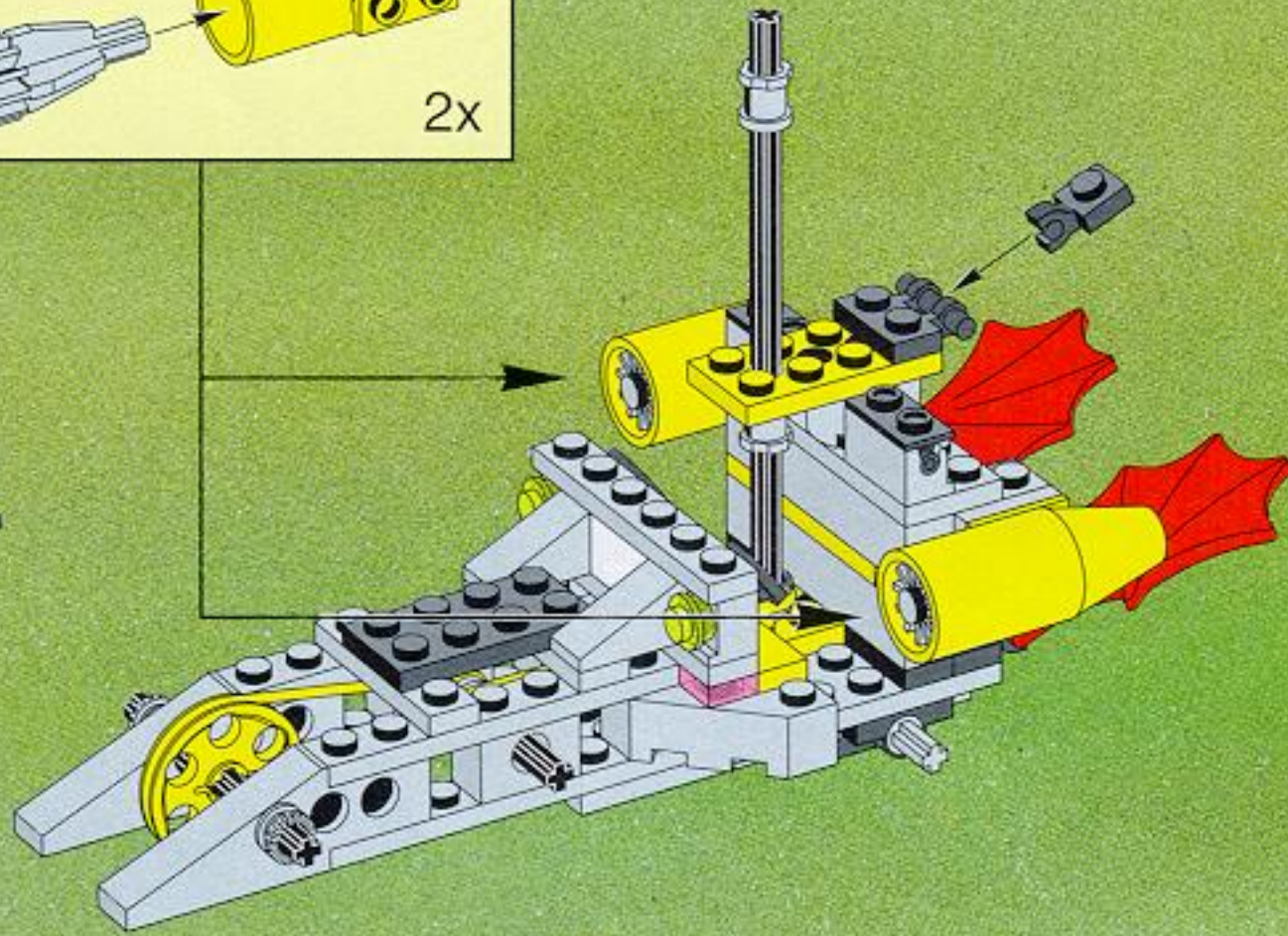


13

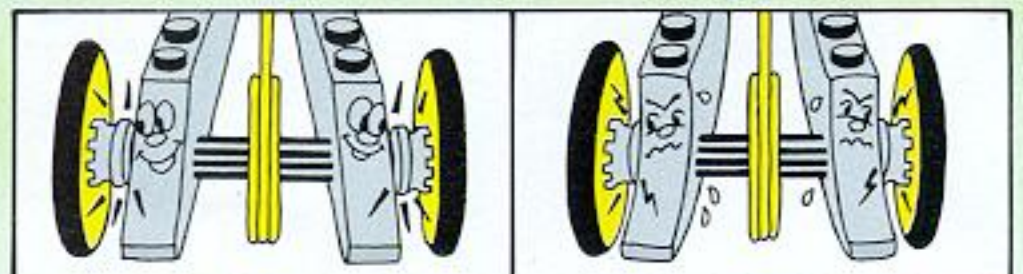
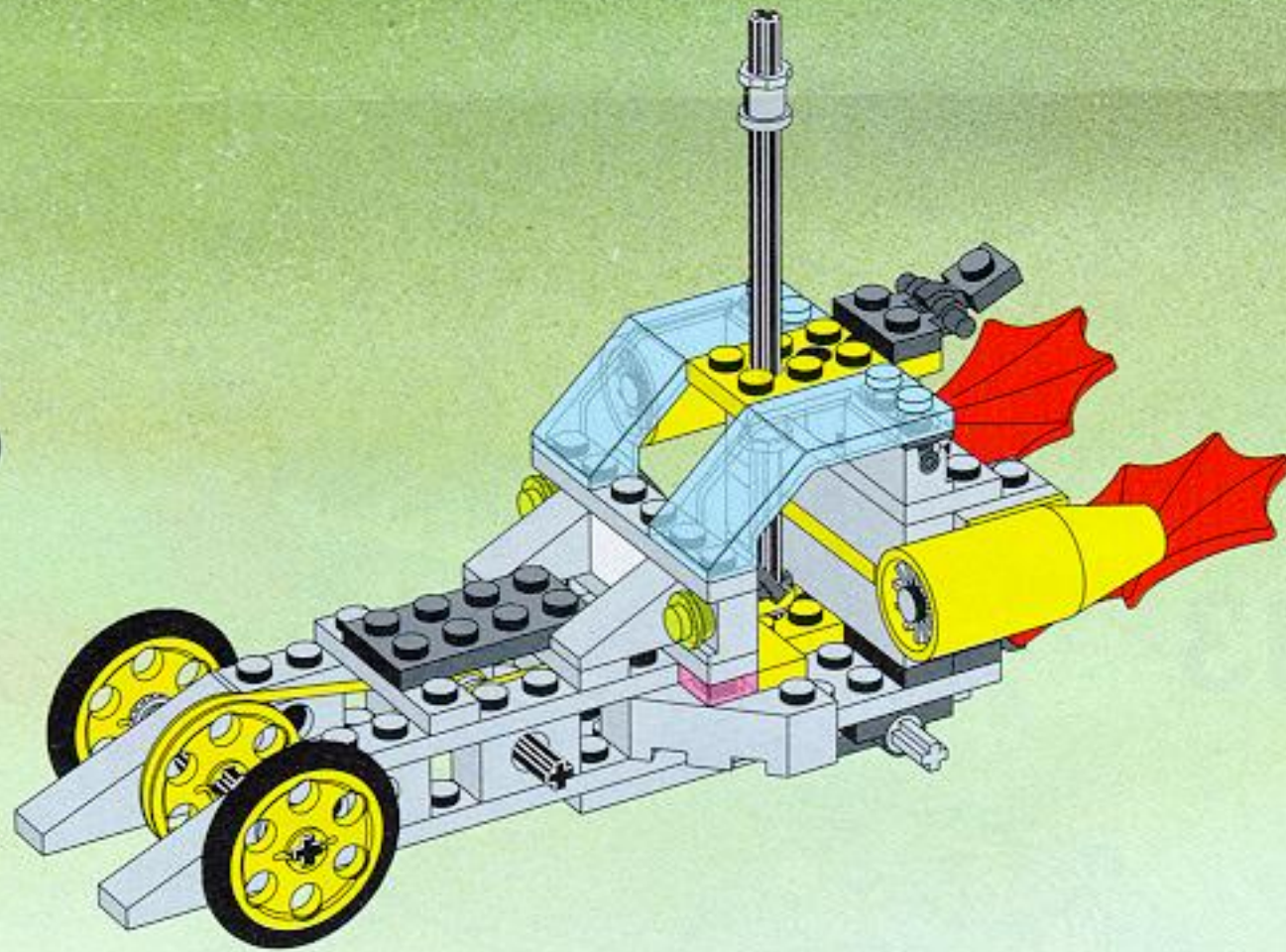




14



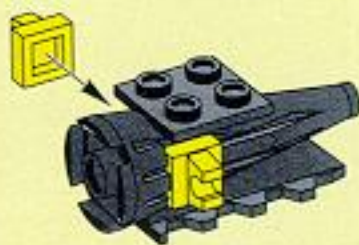
15



1



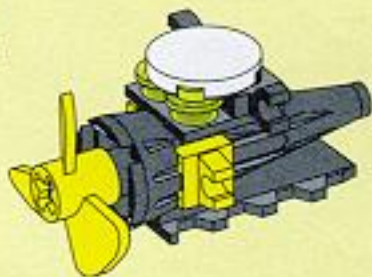
2



3



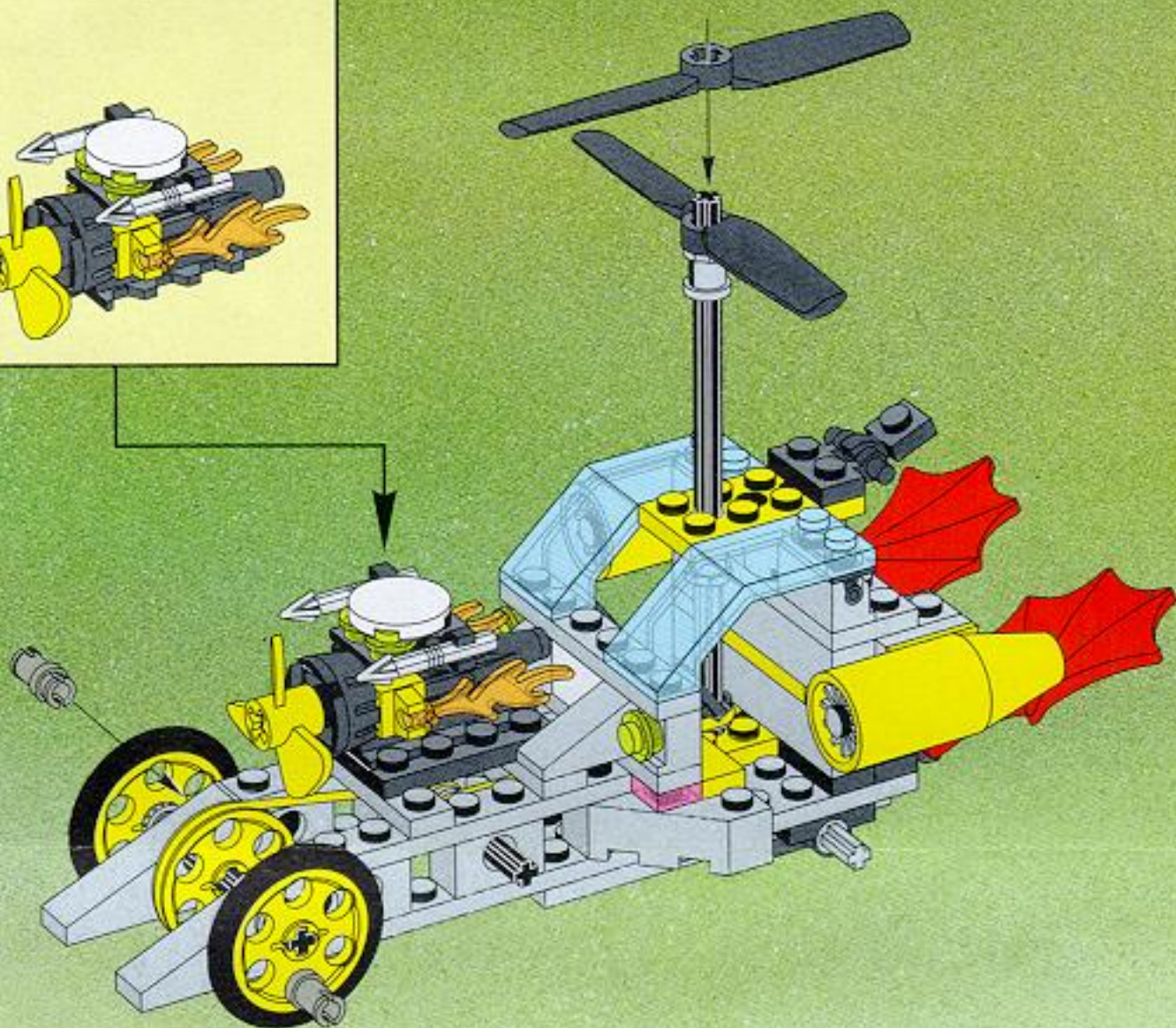
4



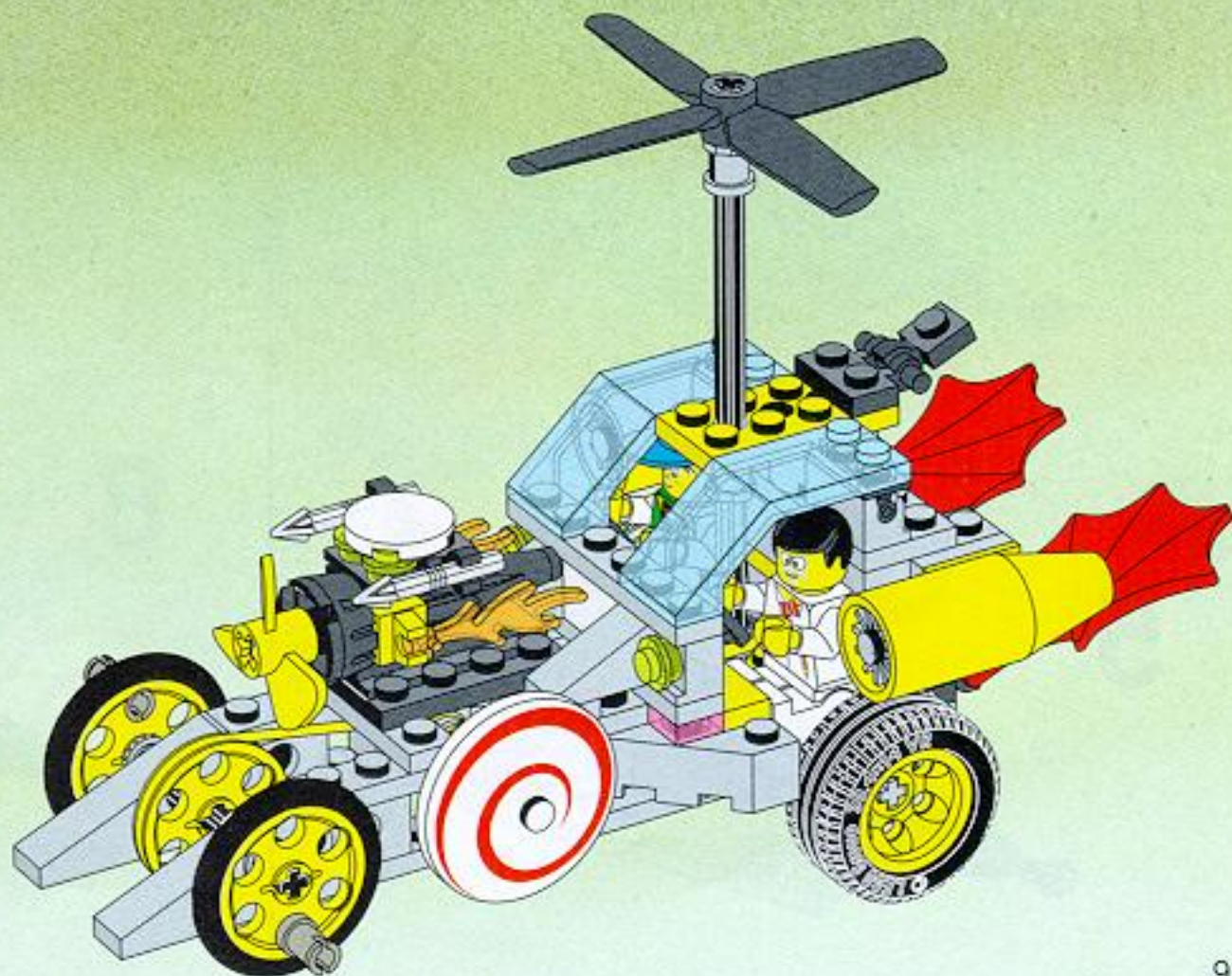
5



16



17



1



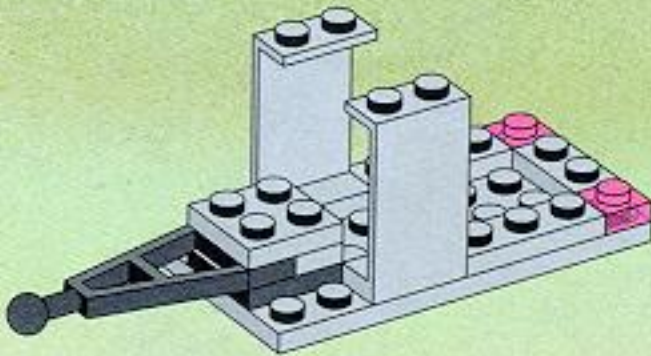
2



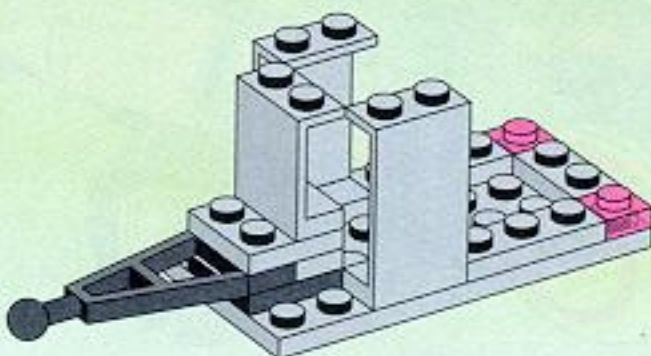
3



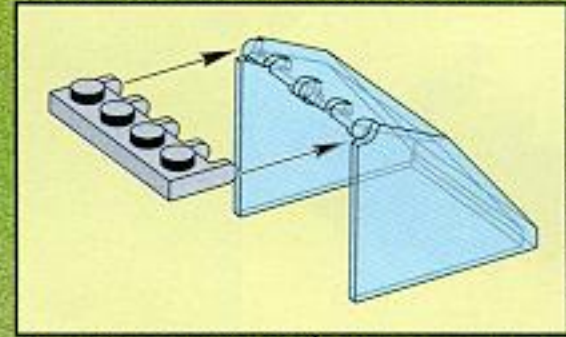
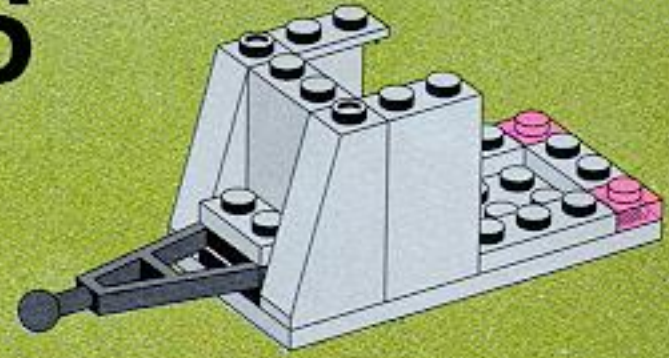
4



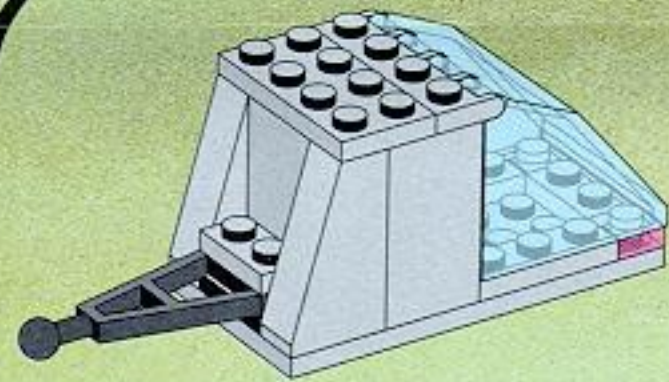
5



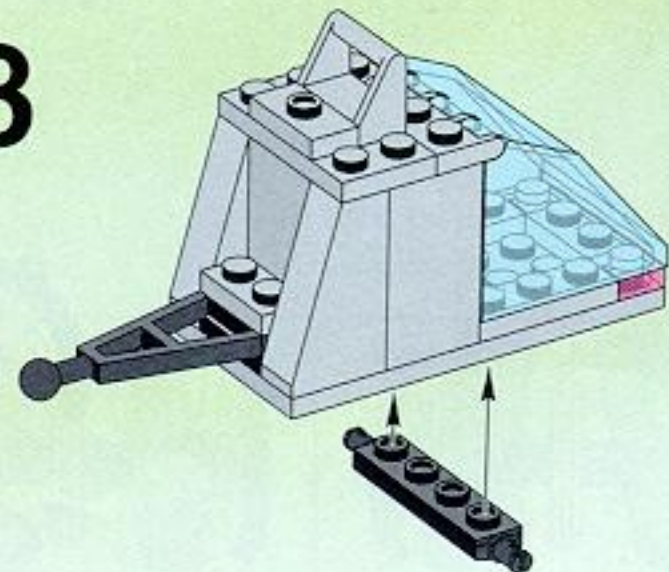
6



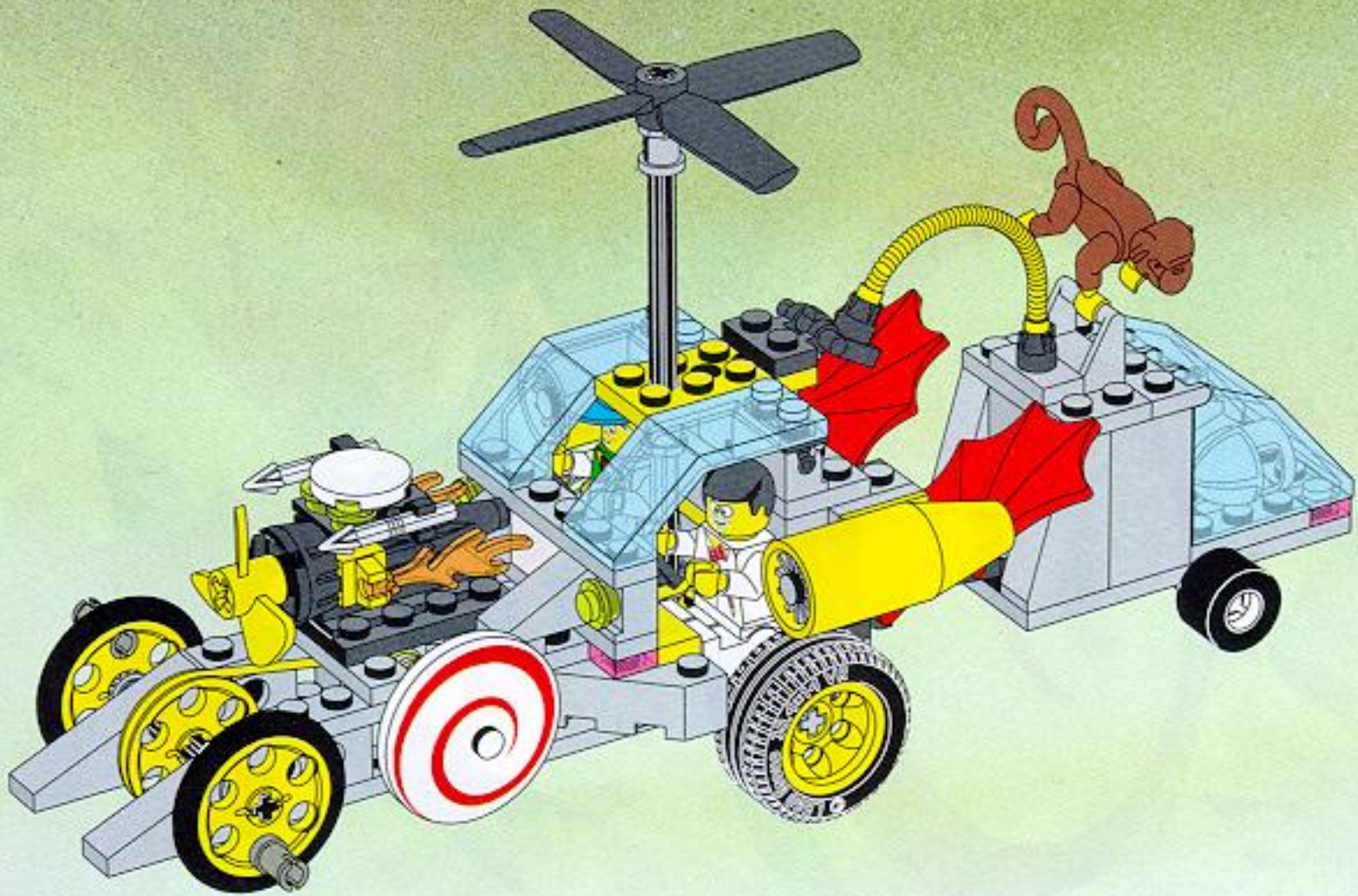
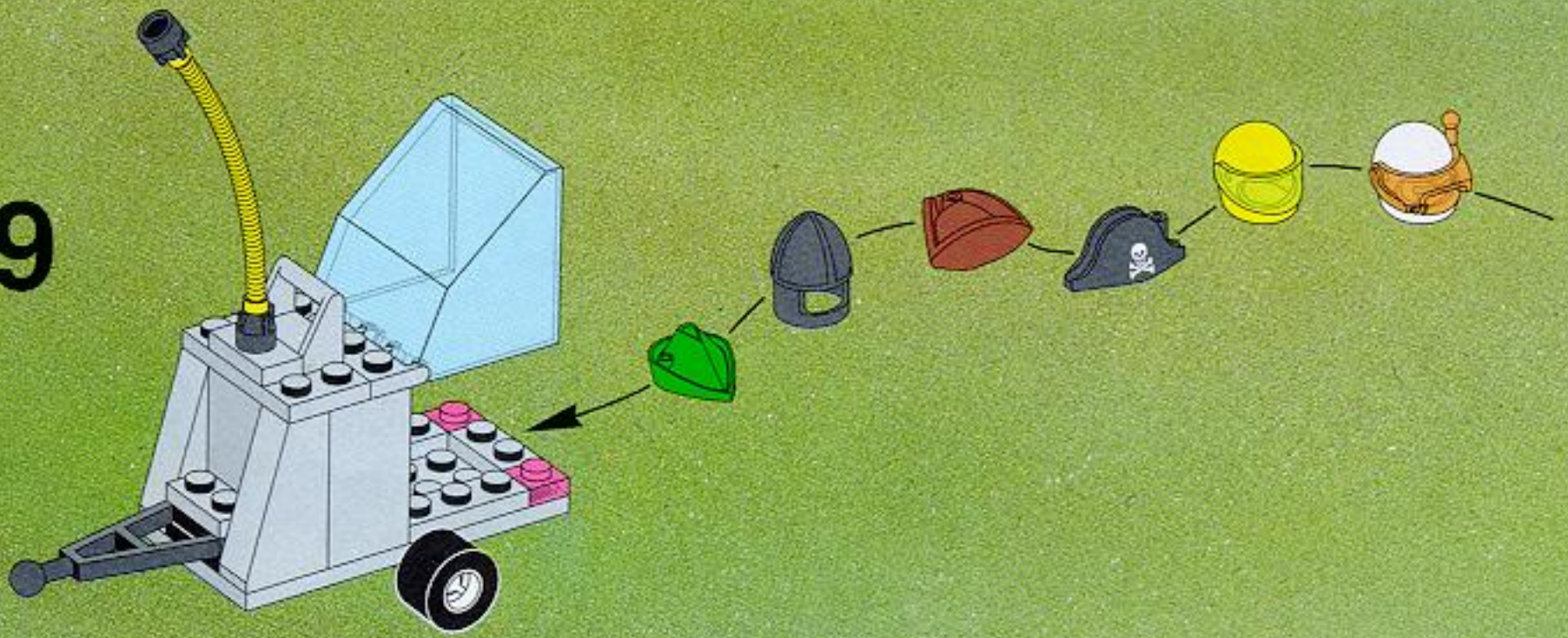
7



8



9



8492 1996



TIME CRUISERS