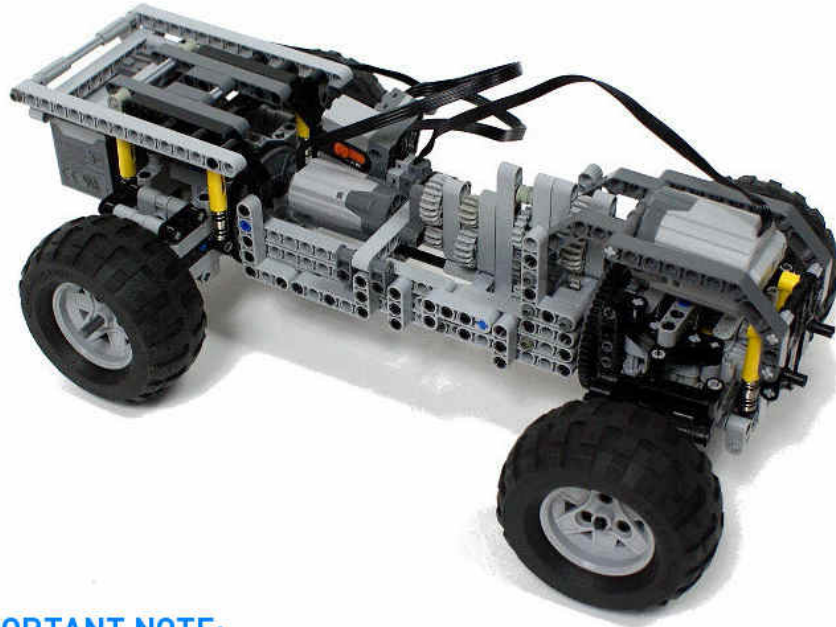


INSTRUCTION FOR 4X4 CHASSIS FROM MY LAND ROVER MODEL



ORIGINAL MODEL & INSTRUCTION BY:
SARIEL

FULL INFO ON THE ORIGINAL MODEL:
<http://sariel.pl/2010/09/land-rover-series-2/>

VIDEO:
<http://www.youtube.com/watch?v=iBy-6S0gmLI>

**PARTS LIST INCLUDED IN A SEPARATE PDF FILE.
LAND ROVER'S BLUEPRINT INCLUDED ON THE LAST PAGE.**

IMPORTANT NOTE:

THIS INSTRUCTION IS RELEASED FREE OF CHARGE.

YOU ARE FREE TO BUILD YOUR COPY OF THE CHASSIS,
TO MODIFY YOUR COPY OF THE CHASSIS, OR TO USE ANY IDEAS OR
SOLUTIONS INCLUDED IN IT IN YOUR OWN CREATIONS.
YOU ARE NOT REQUIRED TO CREDIT THE AUTHOR WHEN PUBLISHING
YOUR COPY OF THE CHASSIS.

YOU ARE FREE TO REDISTRIBUTE THIS INSTRUCTION FOR AS LONG AS
IT REMAINS UNALTERED AND COMPLETE WITH THIS PAGE.

PLEASE RESPECT THE AUTHOR'S EFFORT AND DO NOT SELL THIS
INSTRUCTION, NOR CLAIM THE AUTHORSHIP OF EITHER THIS
INSTRUCTION OR THE UNALTERED CHASSIS.

THANK YOU & ENJOY.

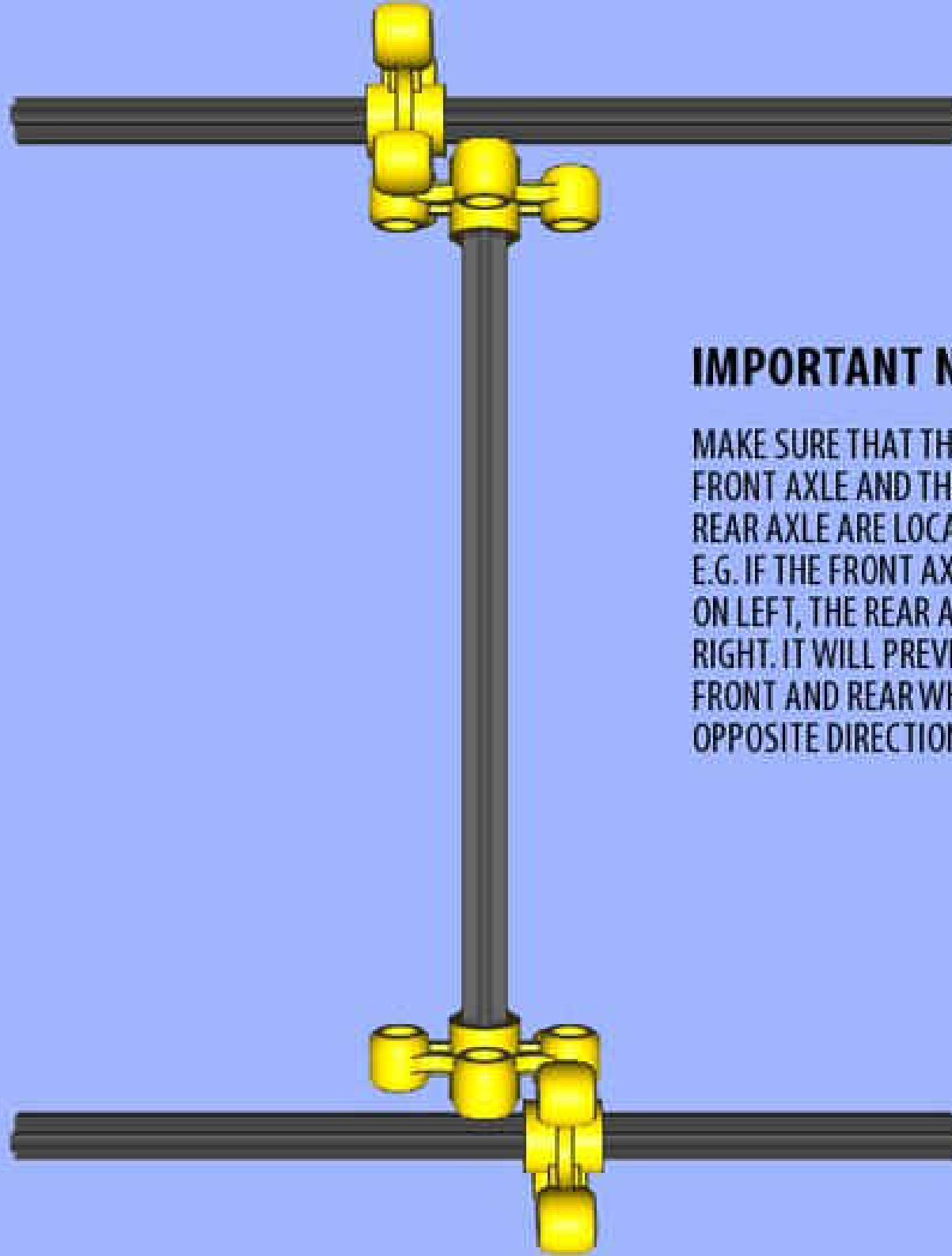
LEGAL NOTICE:

LEGO® IS A TRADEMARK OF THE LEGO GROUP OF
COMPANIES WHICH DOES NOT SPONSOR, AUTHORIZE
OR ENDORSE THIS CREATION. LEGO, THE LEGO LOGO,
THE BRICK AND KNOB CONFIGURATIONS, THE
MINIFIGURE AND MINDSTORMS ARE REGISTERED
TRADEMARKS OF THE LEGO GROUP.

www.lego.com

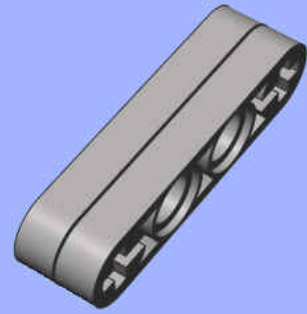
LAND ROVER® IS A TRADEMARK OF TATA MOTORS
WHICH DOES NOT SPONSOR, AUTHORIZE OR ENDORSE
THIS CREATION.

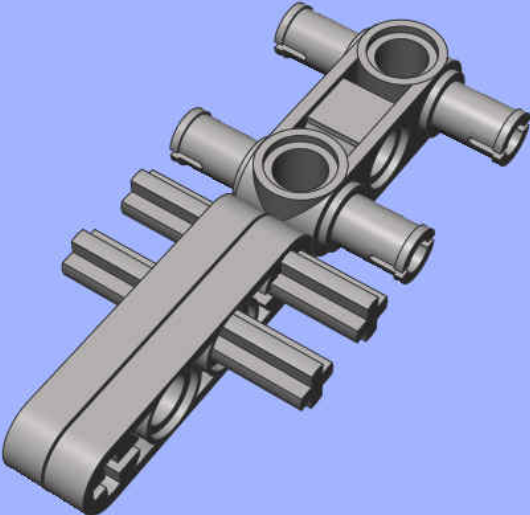
www.landrover.com
www.tatamotors.com

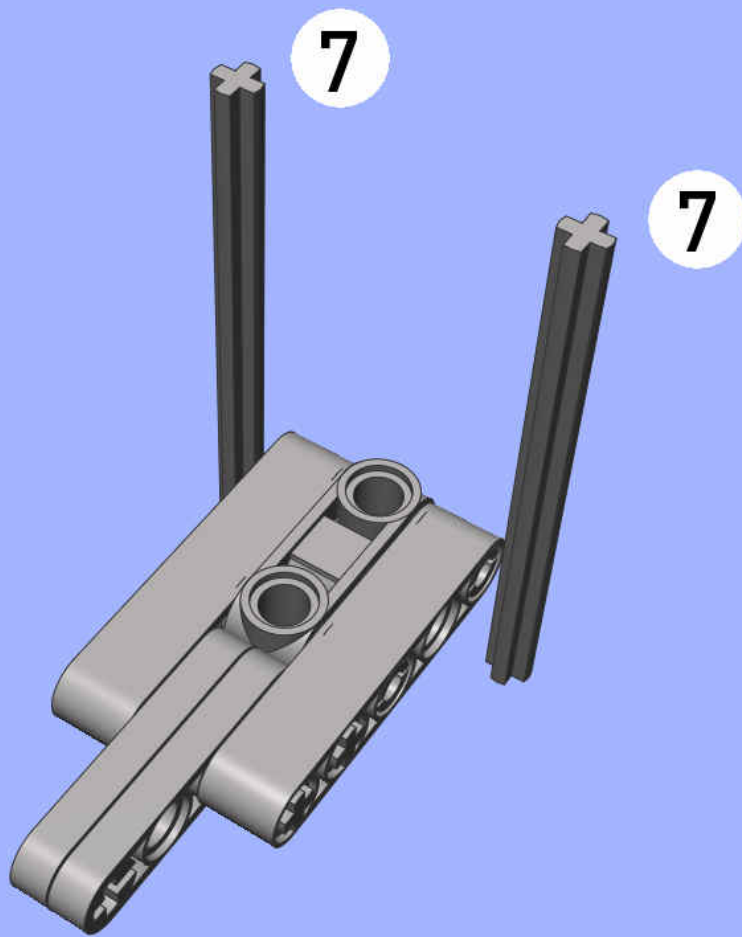


IMPORTANT NOTE:

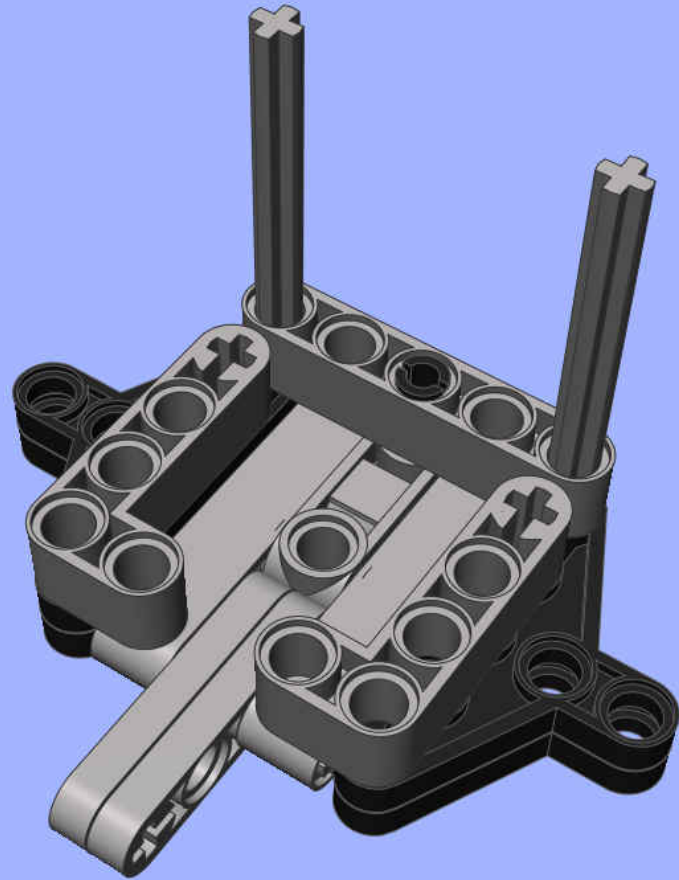
MAKE SURE THAT THE KNOB WHEEL ON THE FRONT AXLE AND THE KNOB WHEEL ON THE REAR AXLE ARE LOCATED ON OPPOSITE SIDES. E.G. IF THE FRONT AXLE HAS THE KNOB WHEEL ON LEFT, THE REAR AXLE SHOULD HAVE IT ON RIGHT. IT WILL PREVENT YOU FROM GETTING FRONT AND REAR WHEELS ROTATING IN OPPOSITE DIRECTIONS.

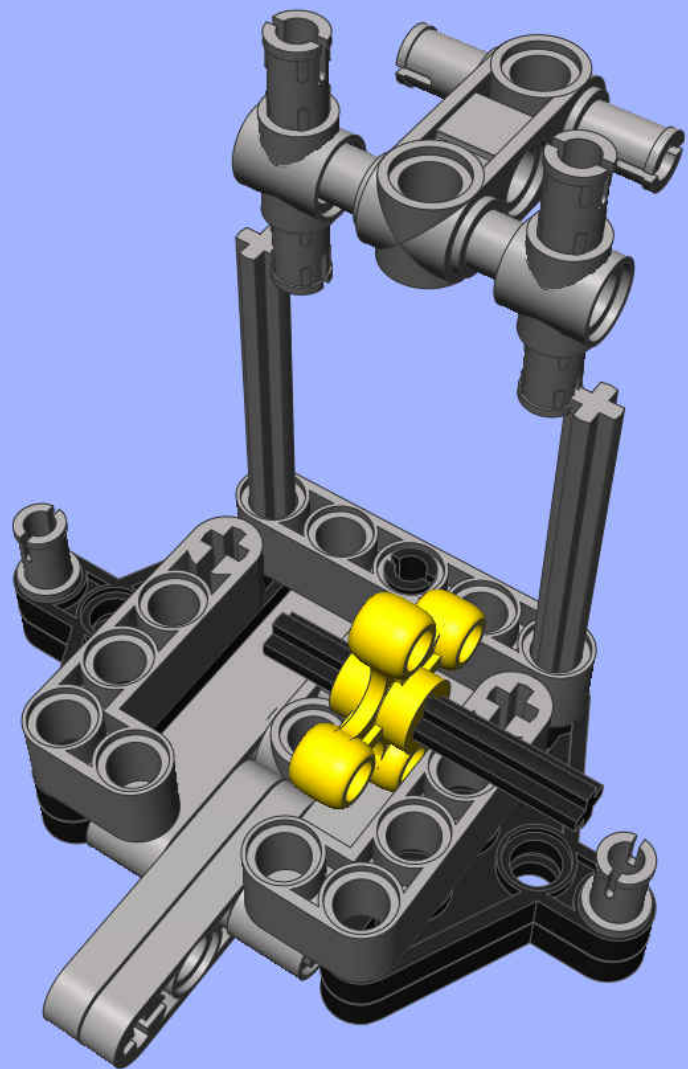


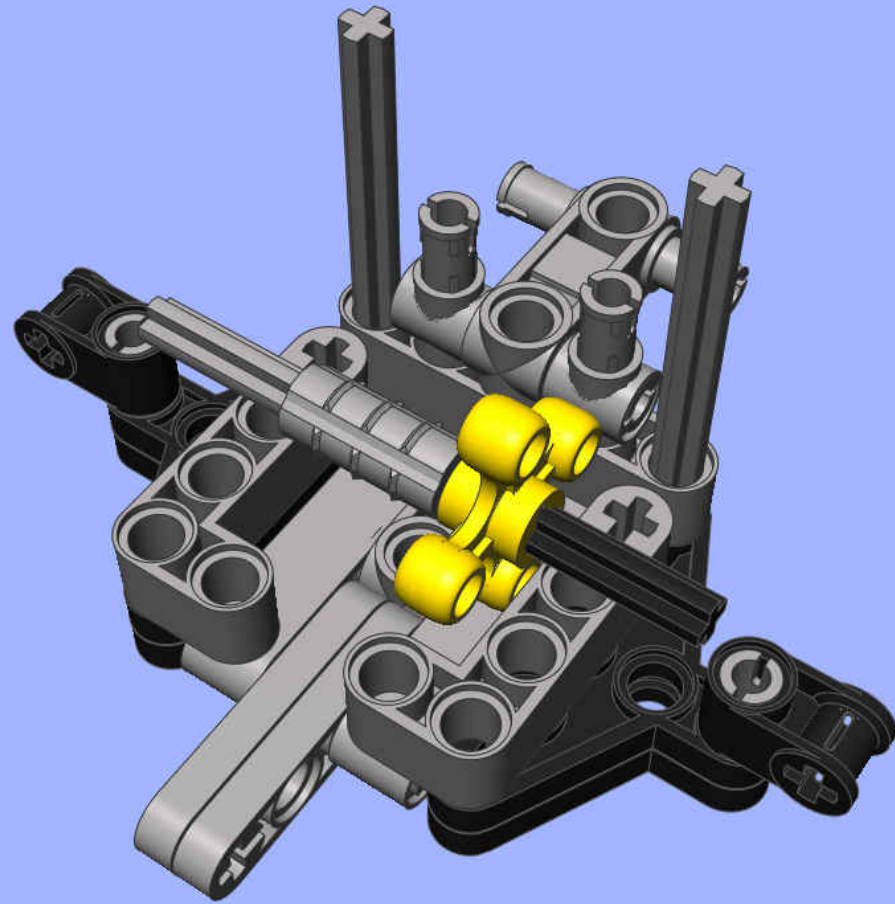


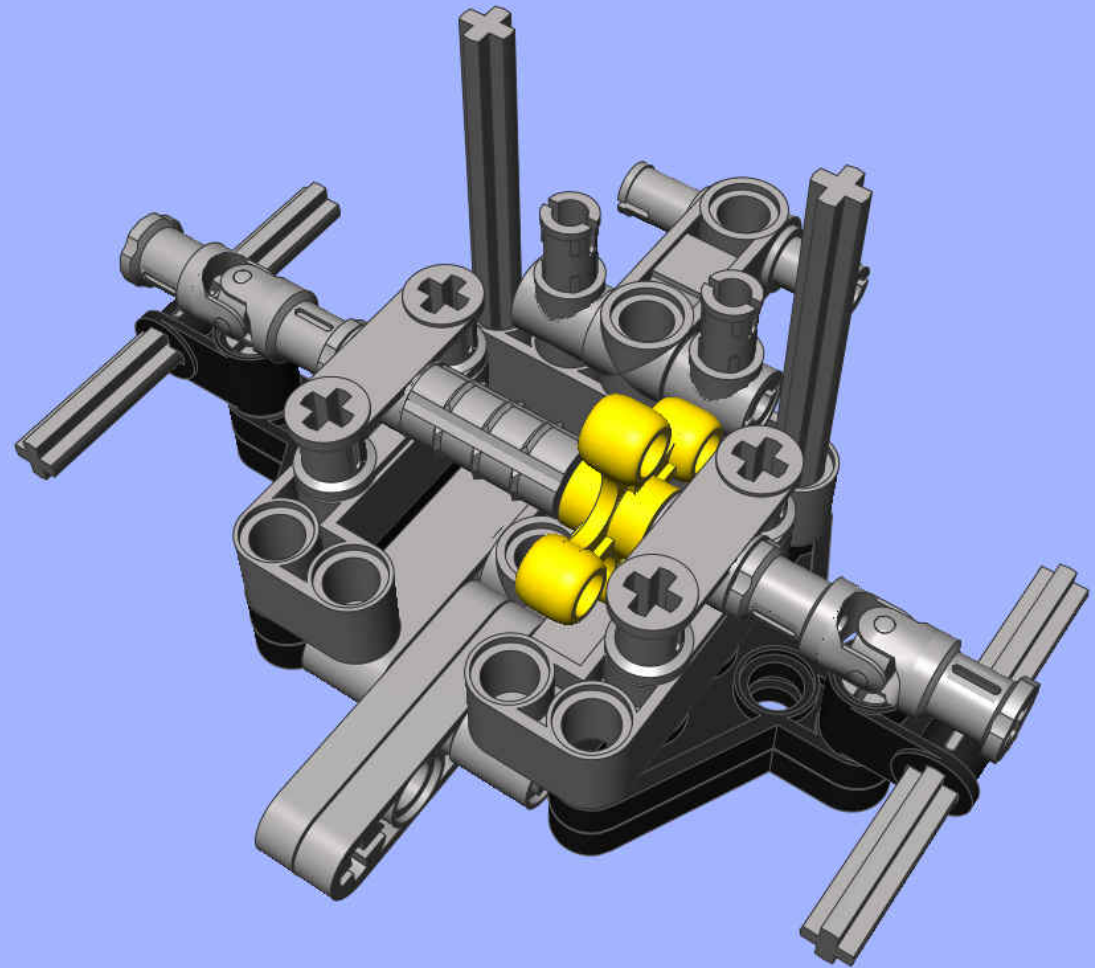


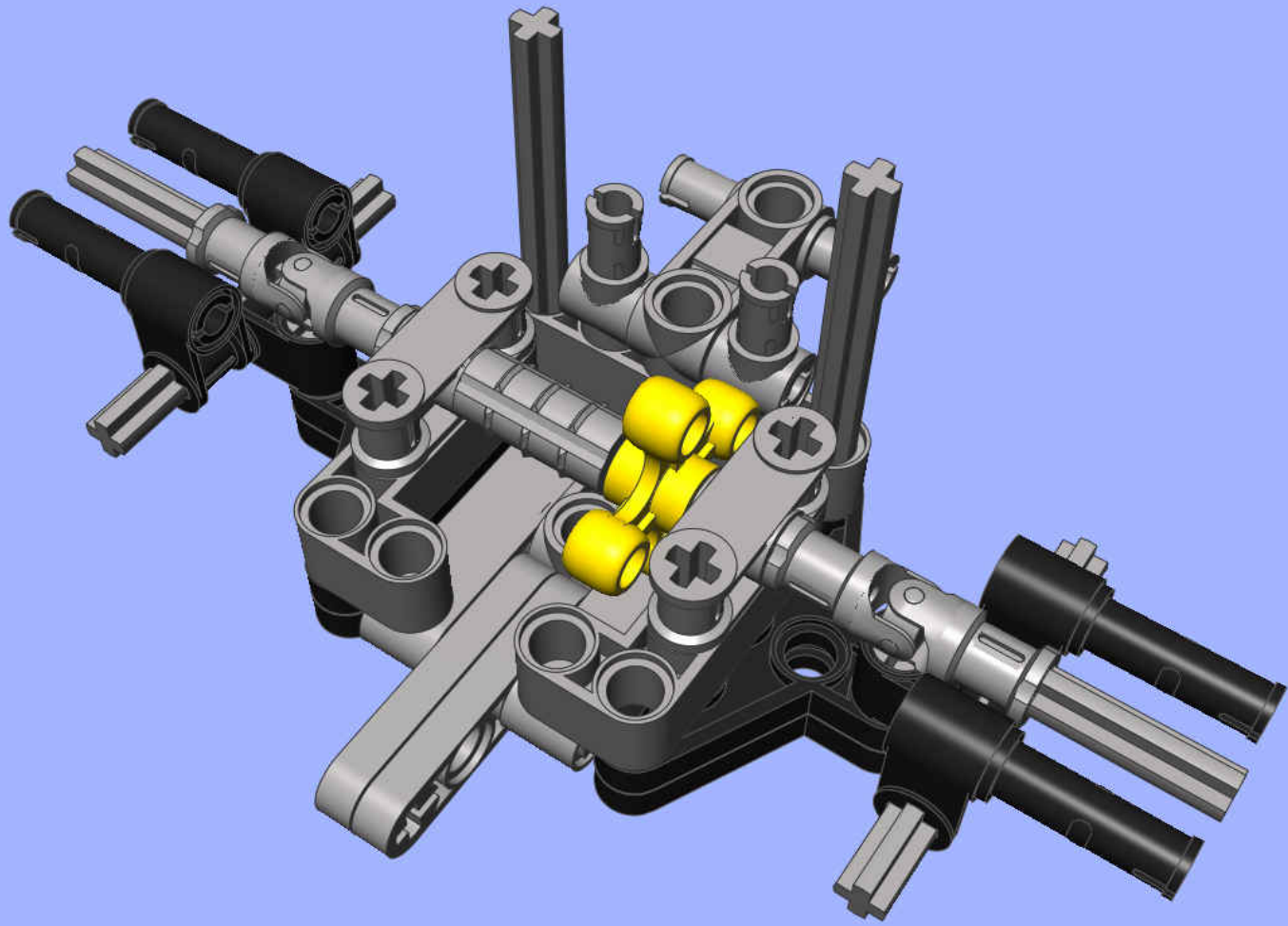


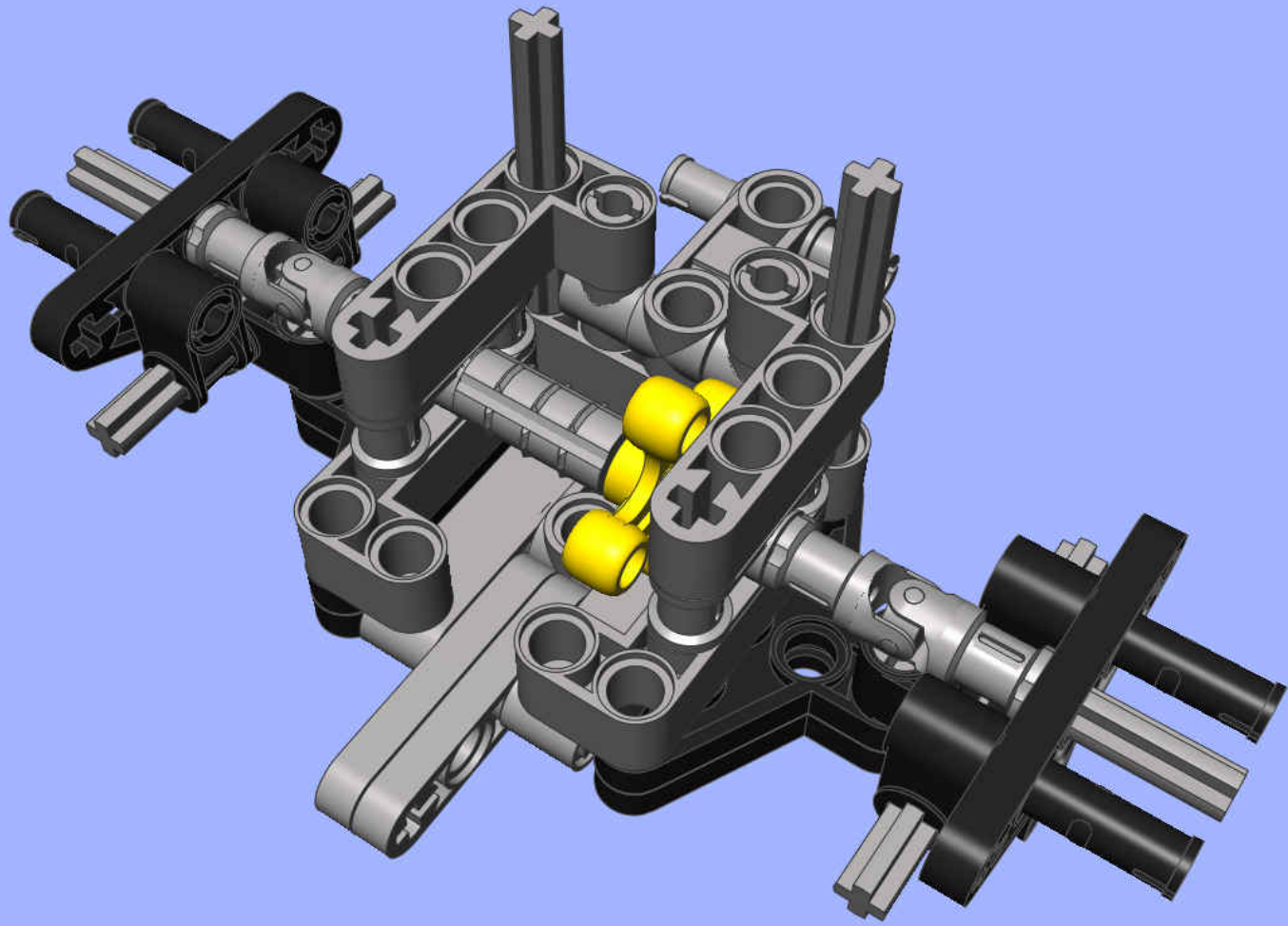




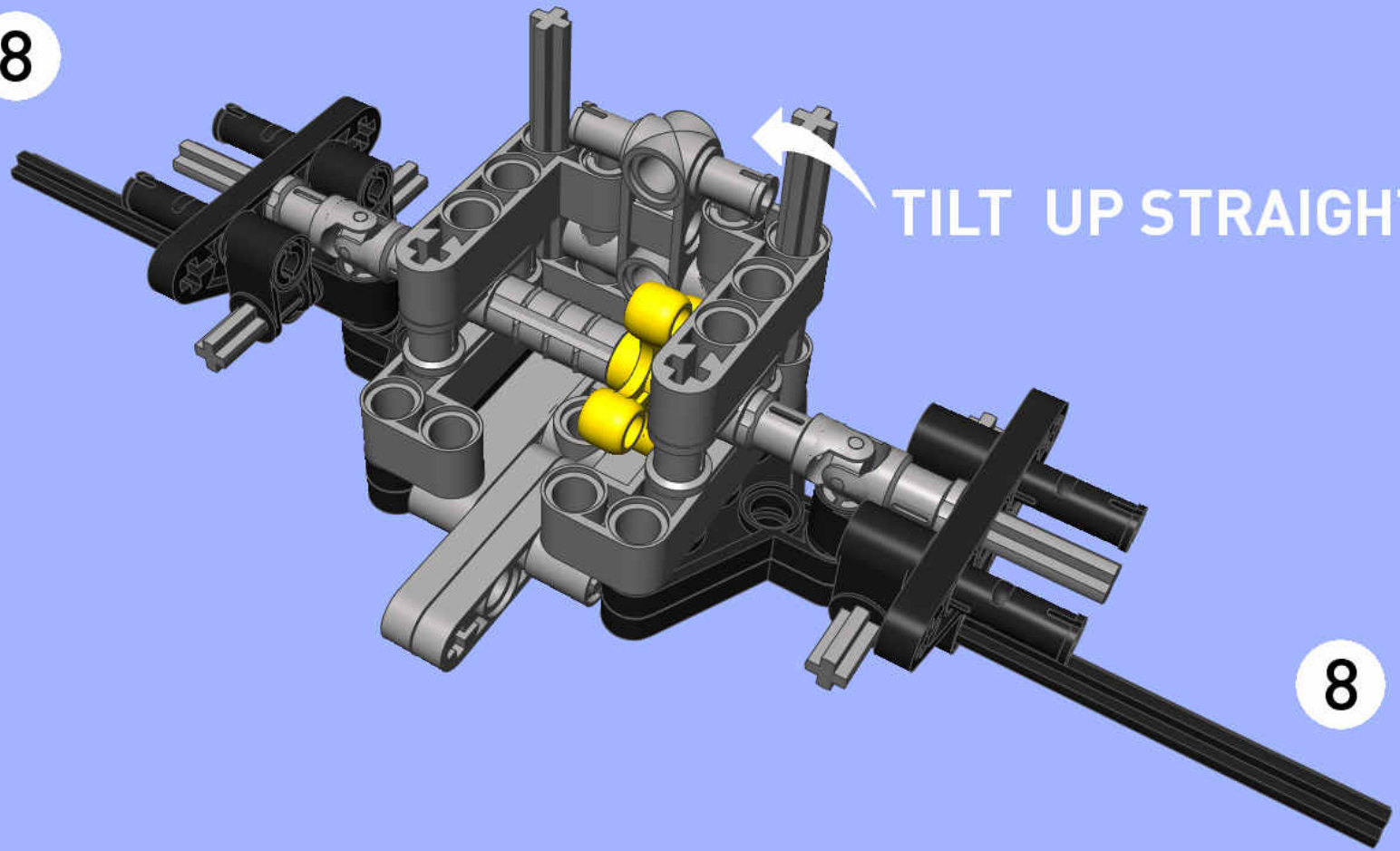






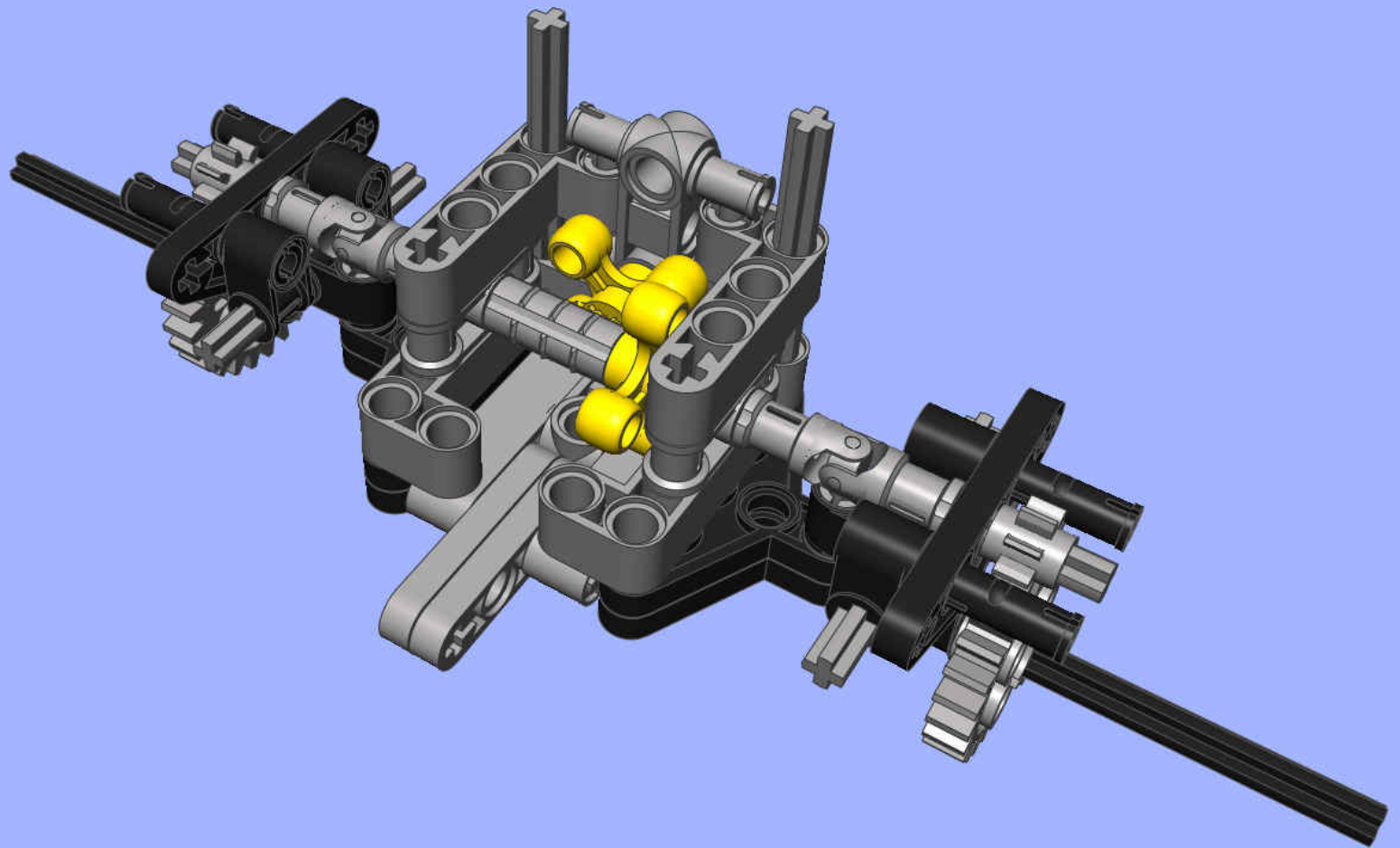


8

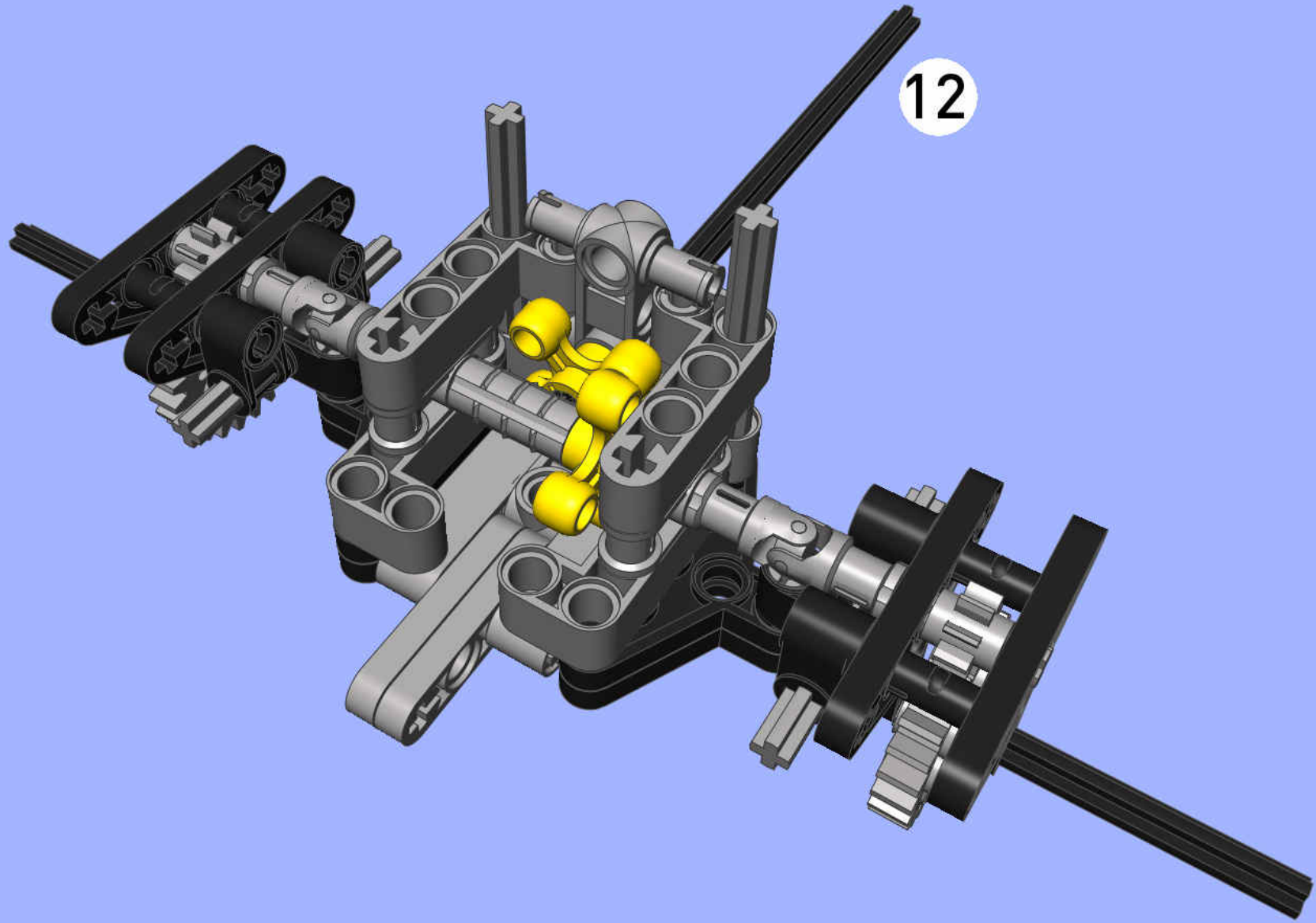


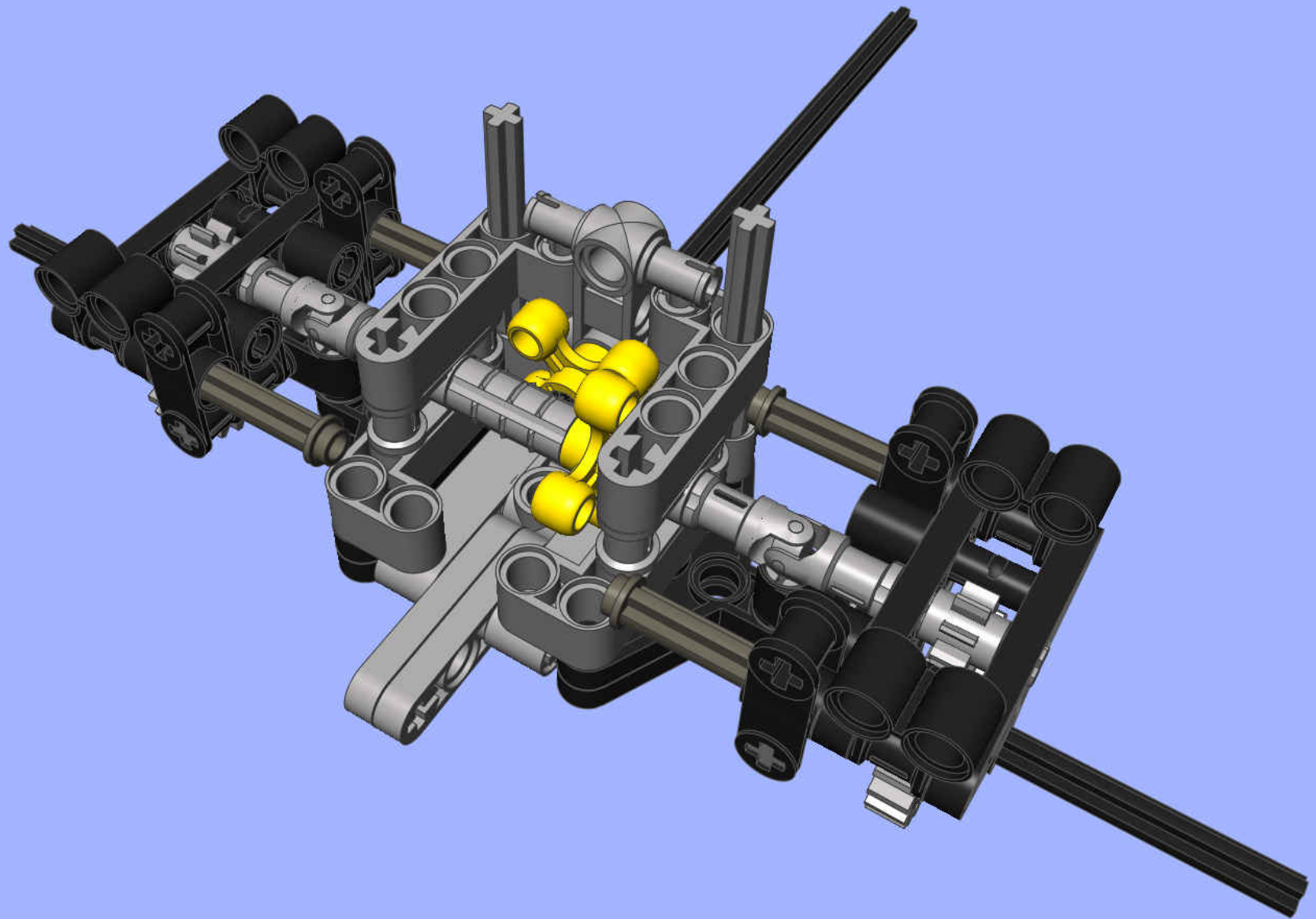
TILT UP STRAIGHT

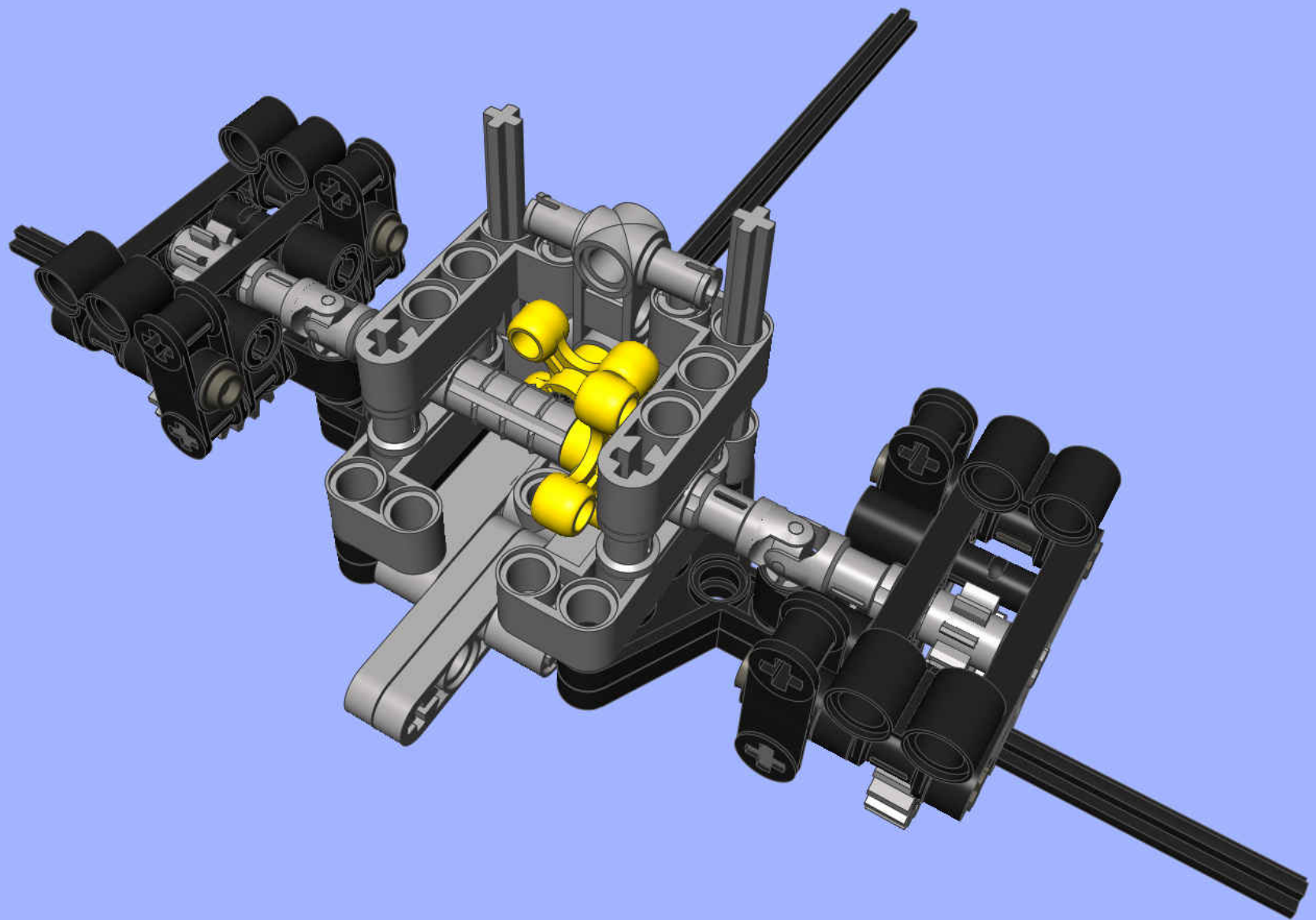
8



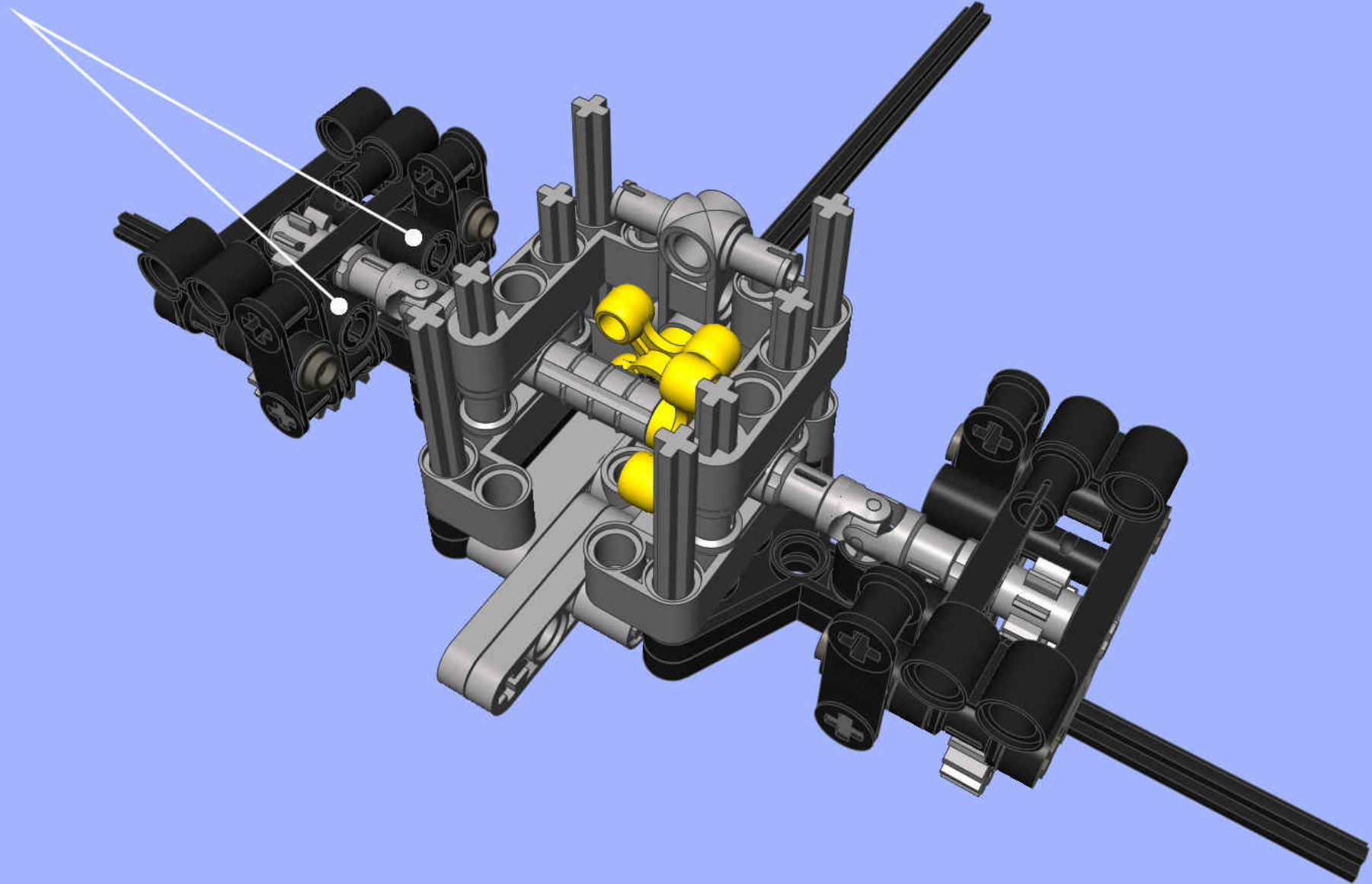
12

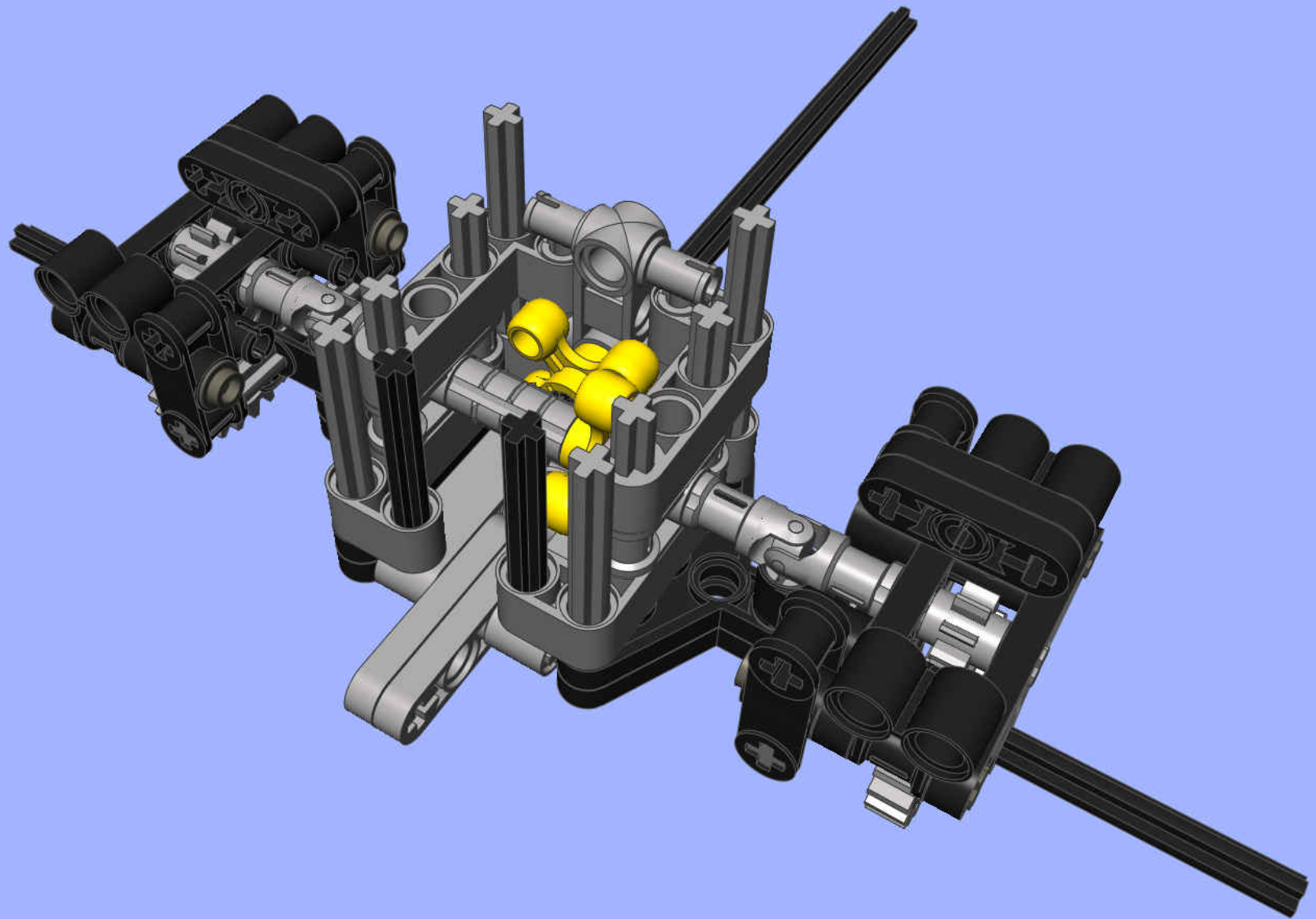


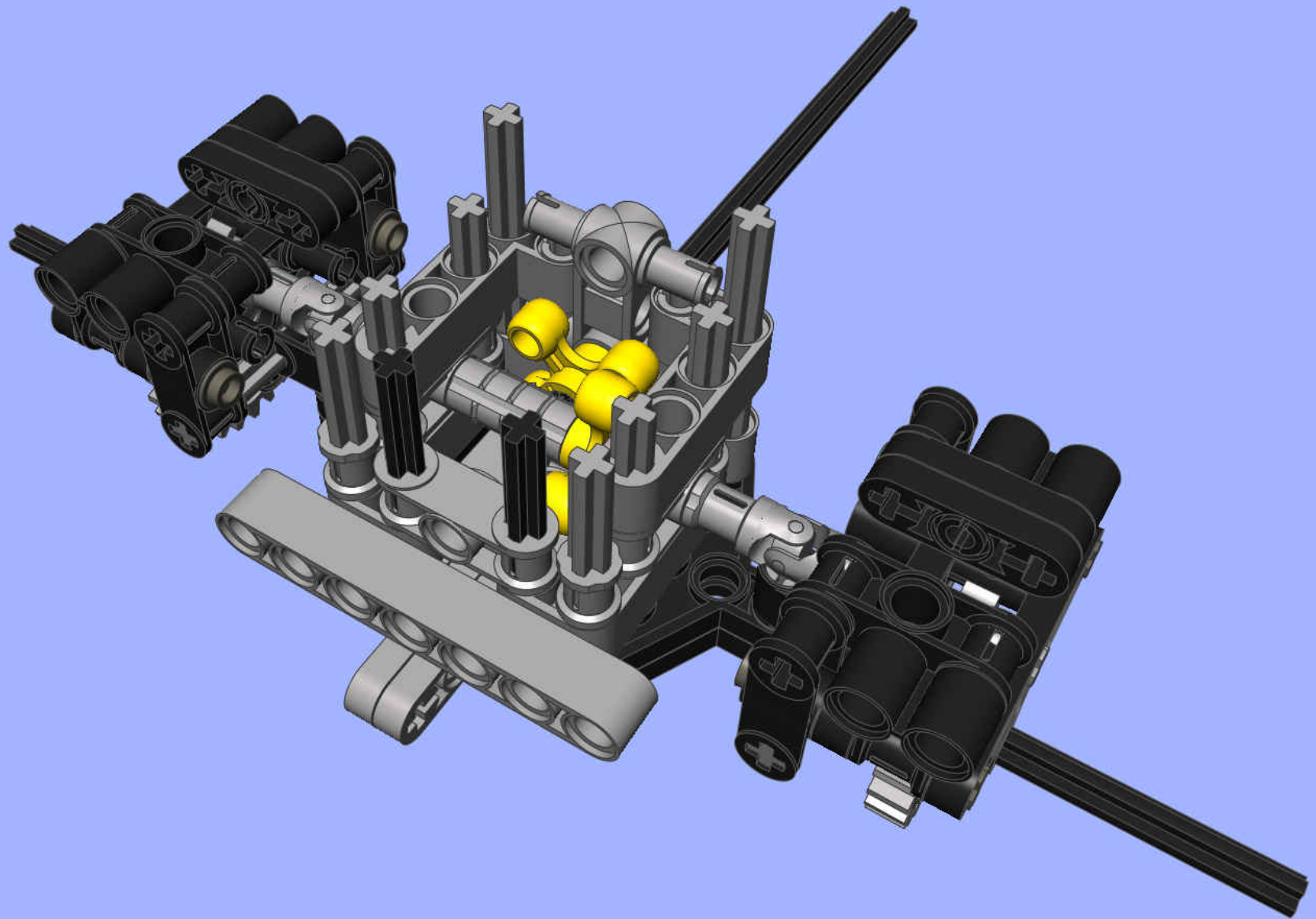


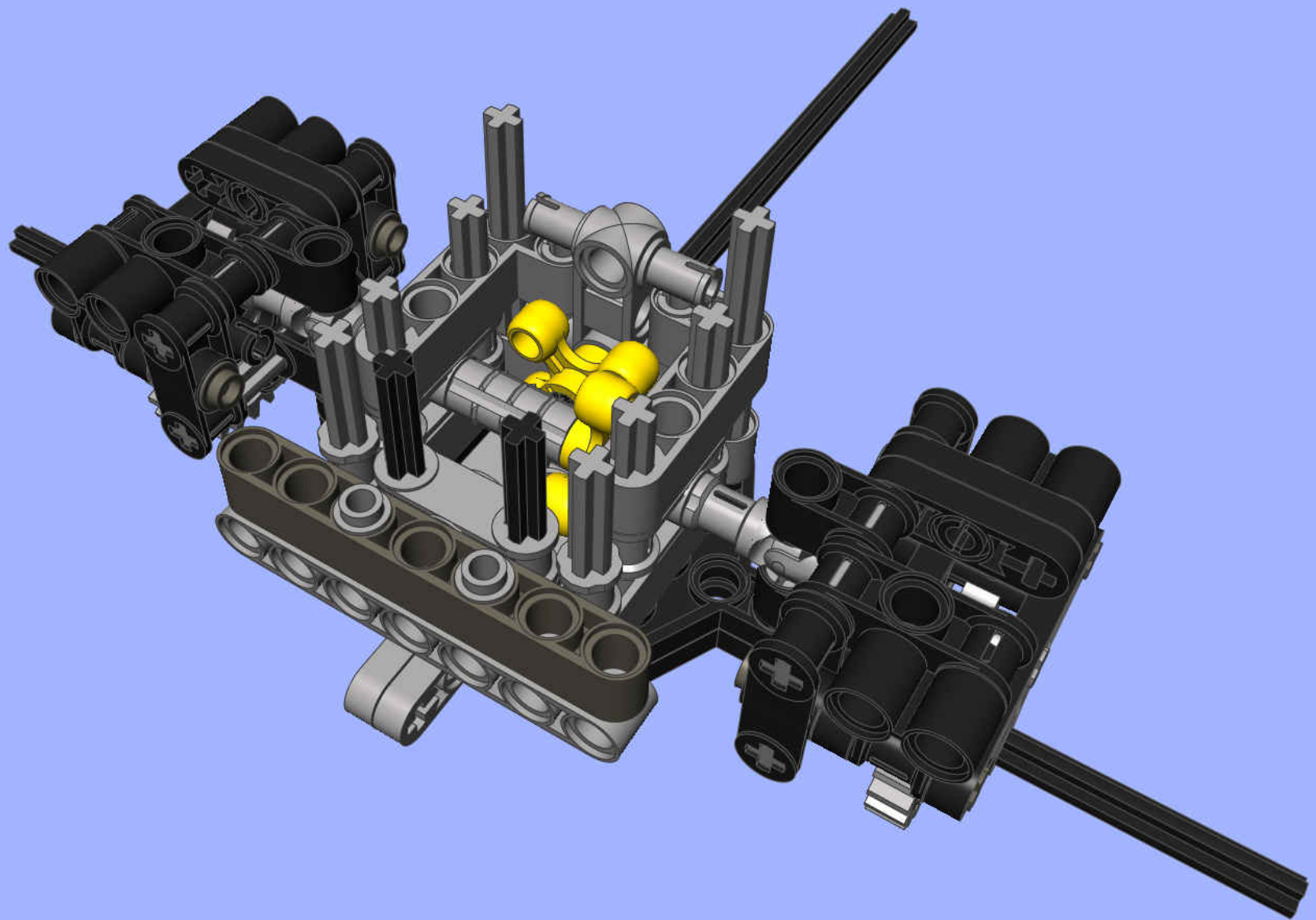


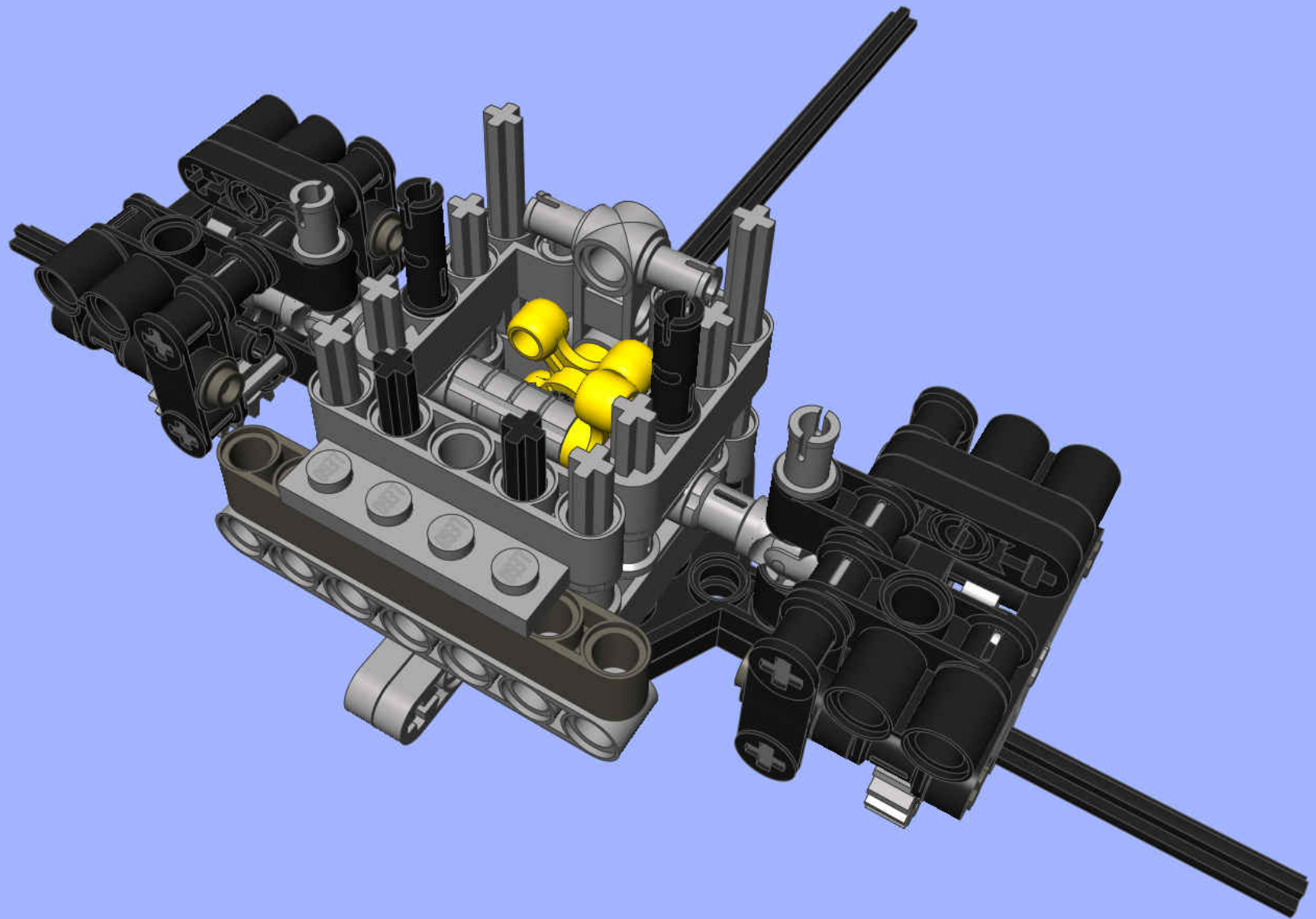
KEEP THESE TWO PIECES IN HERE.
THEY ARE ONLY GONE FROM THE NEXT STEPS
BECAUSE OF MY MODELLING MISTAKE.

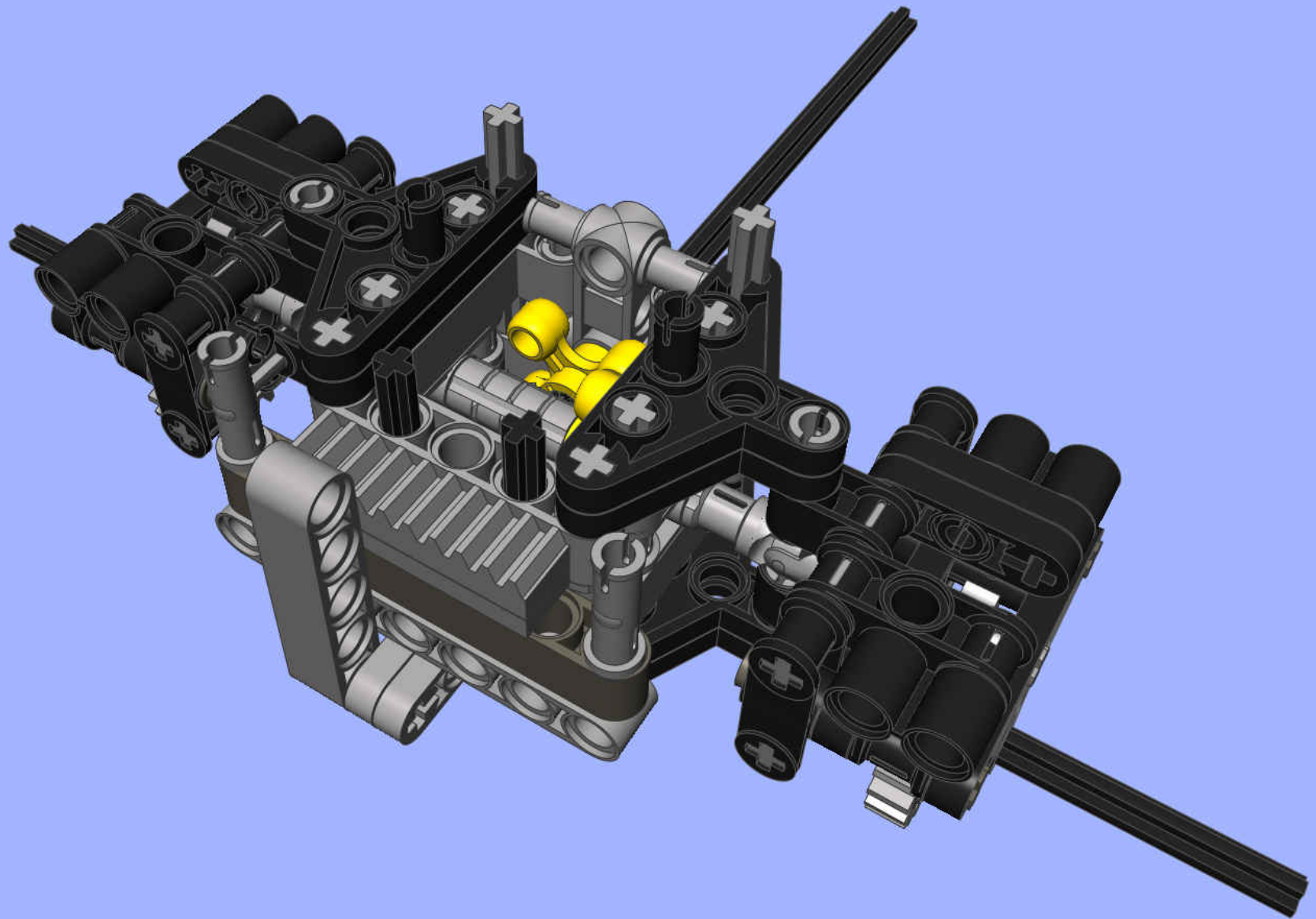


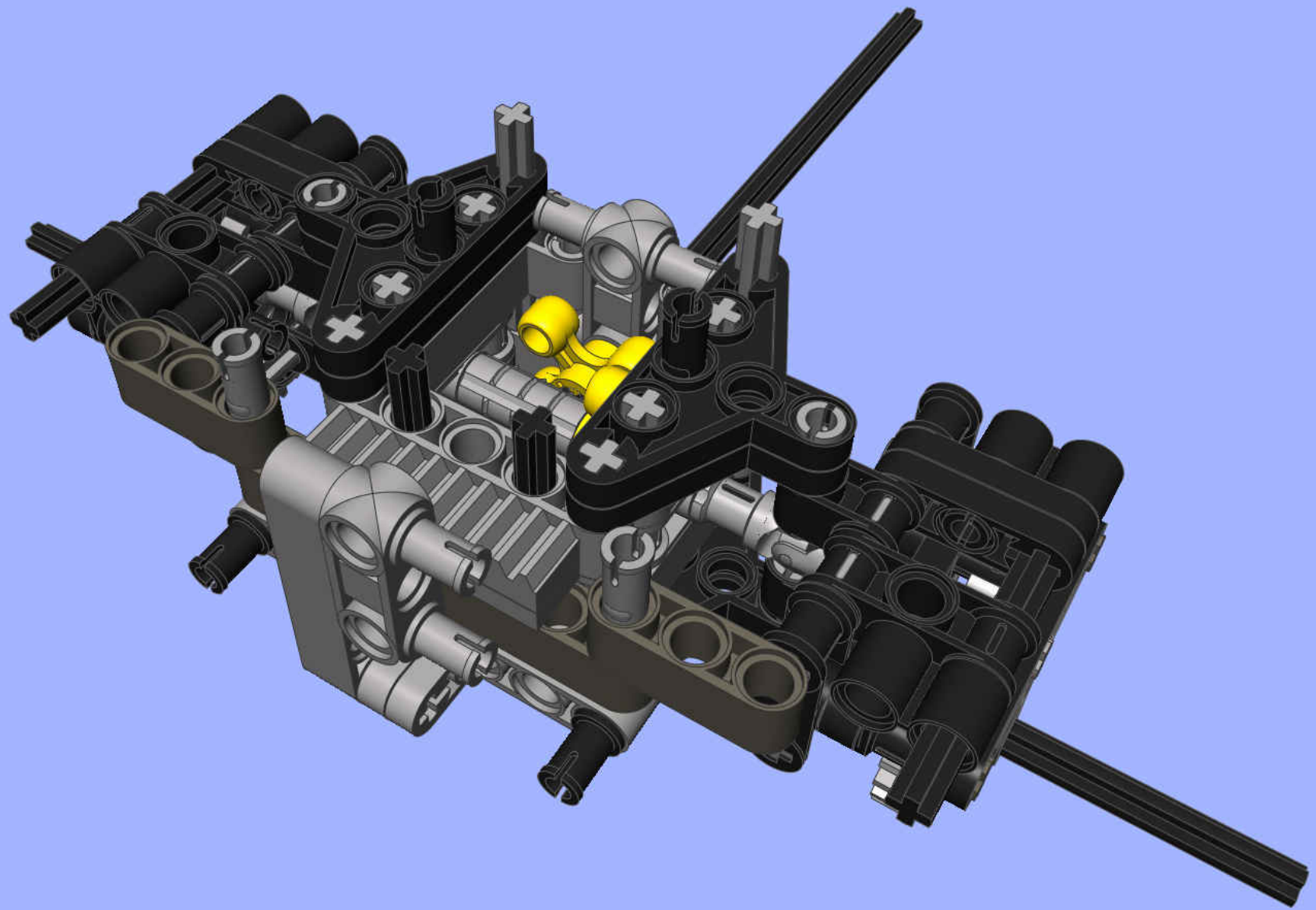


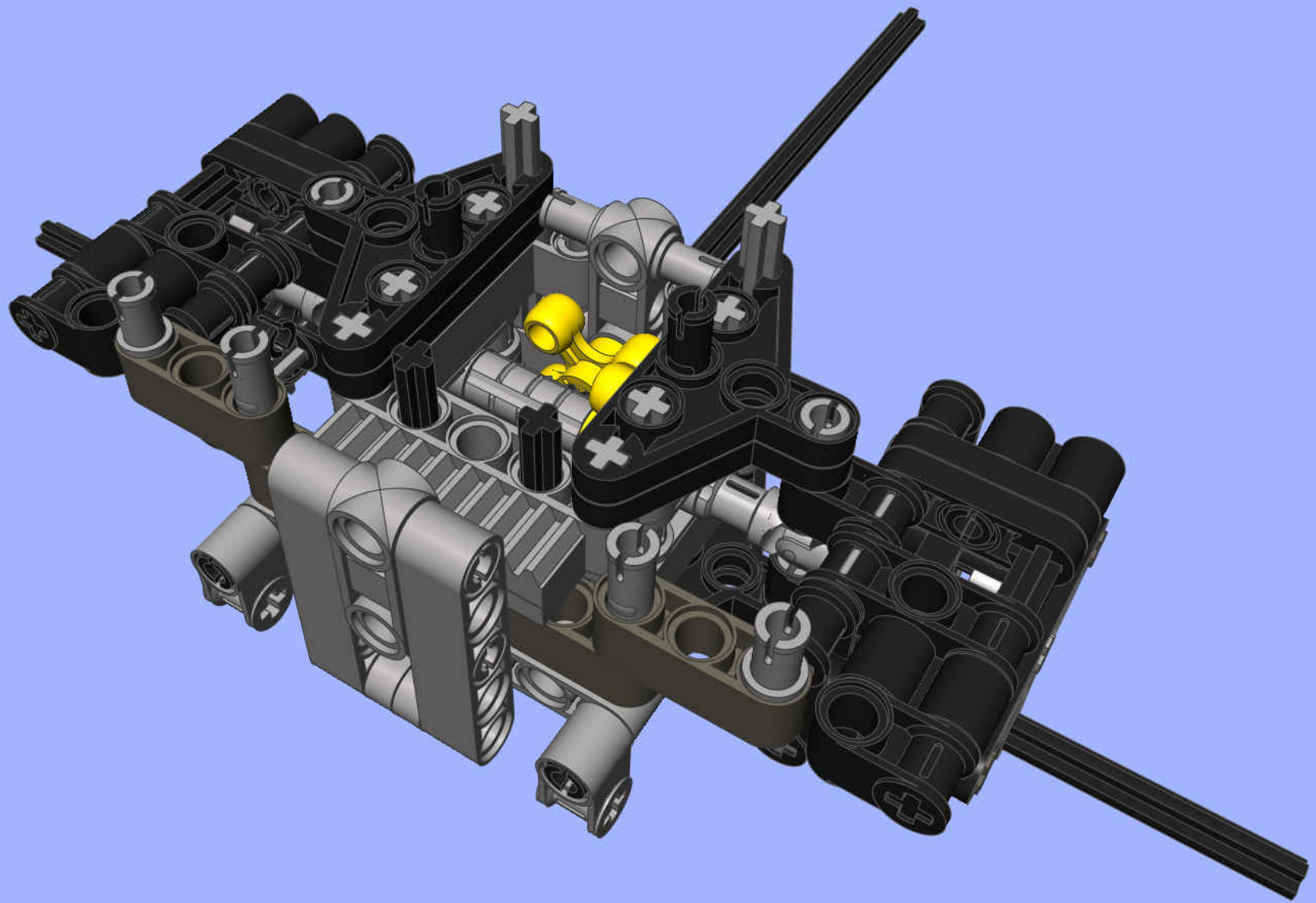


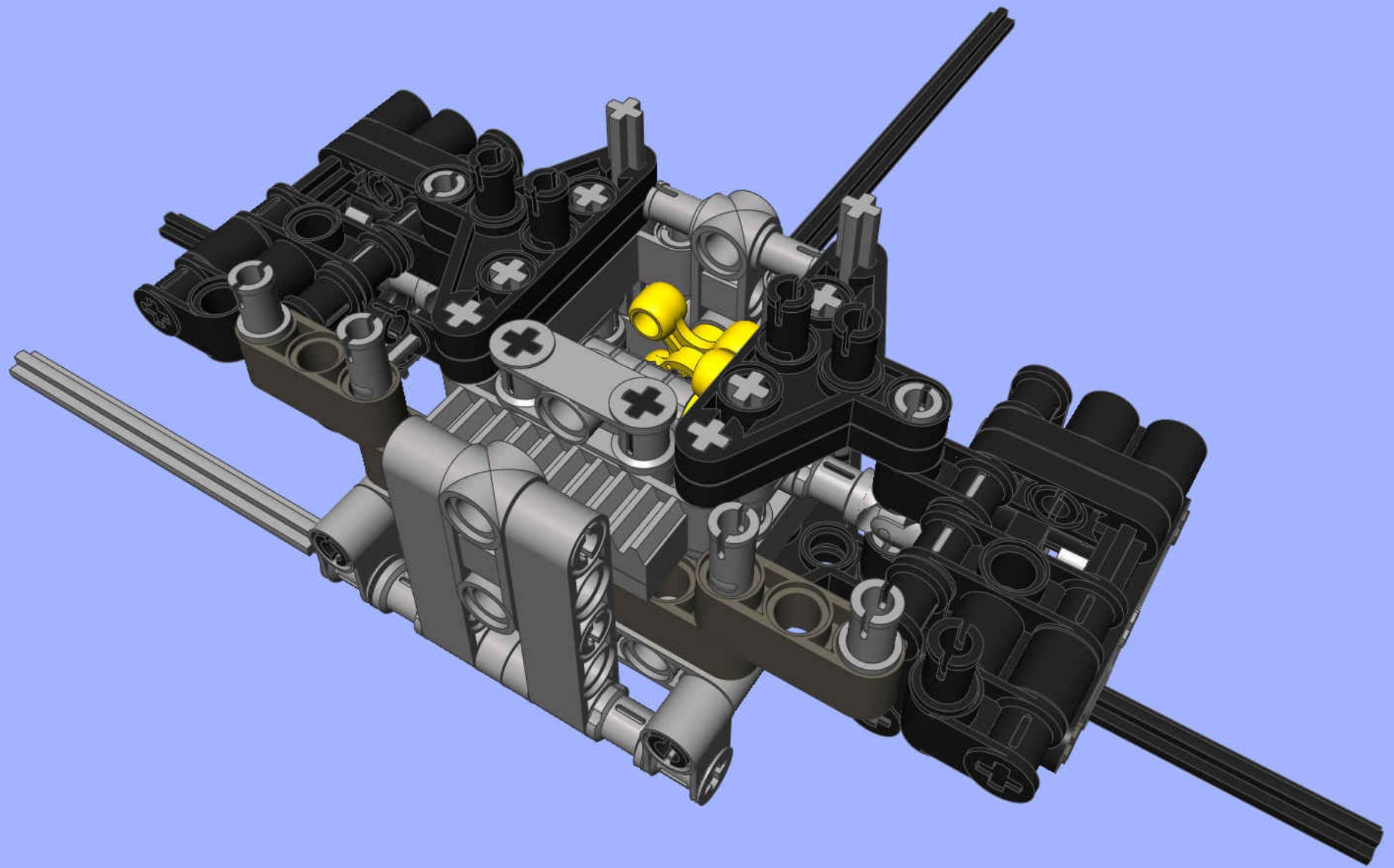


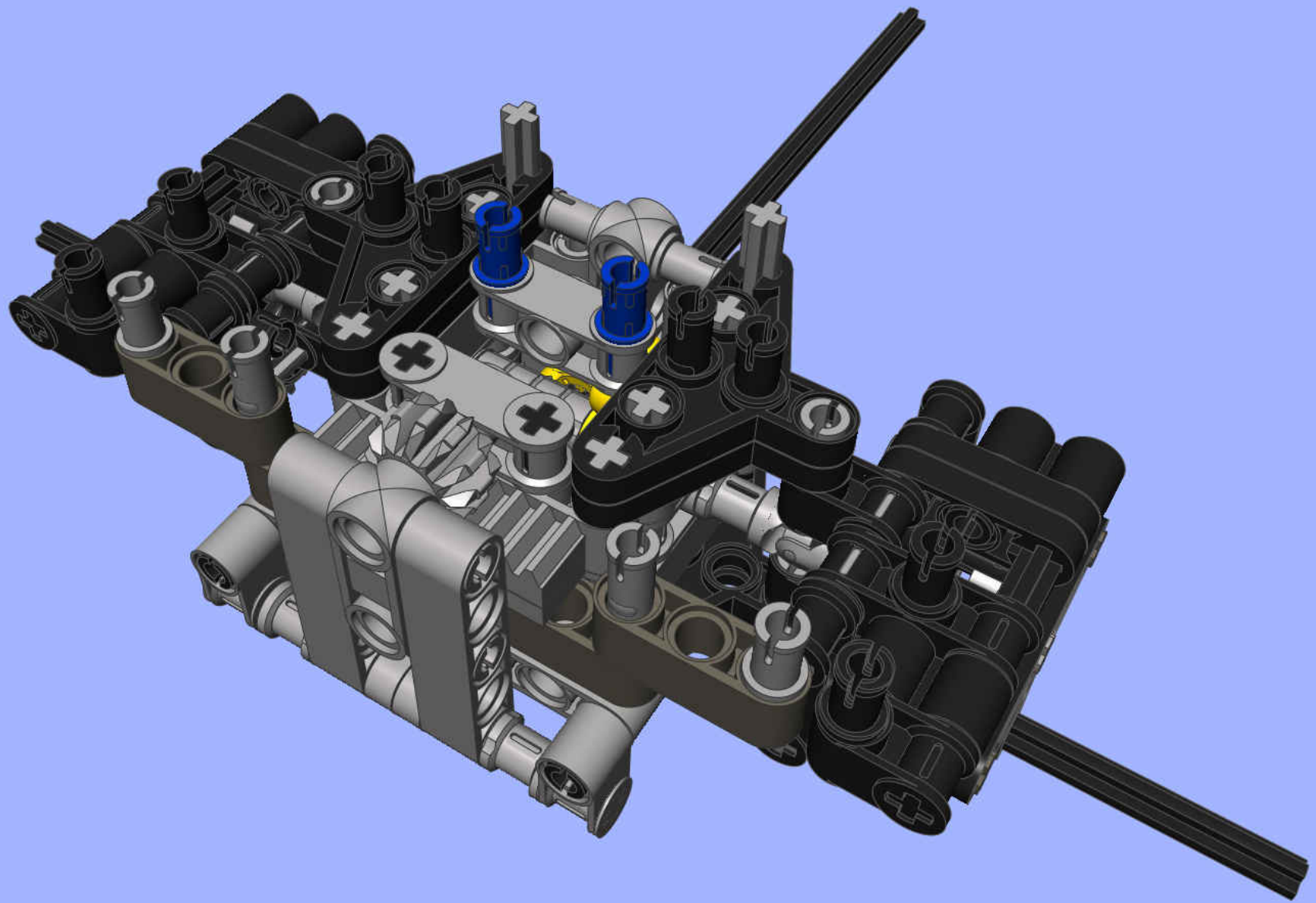


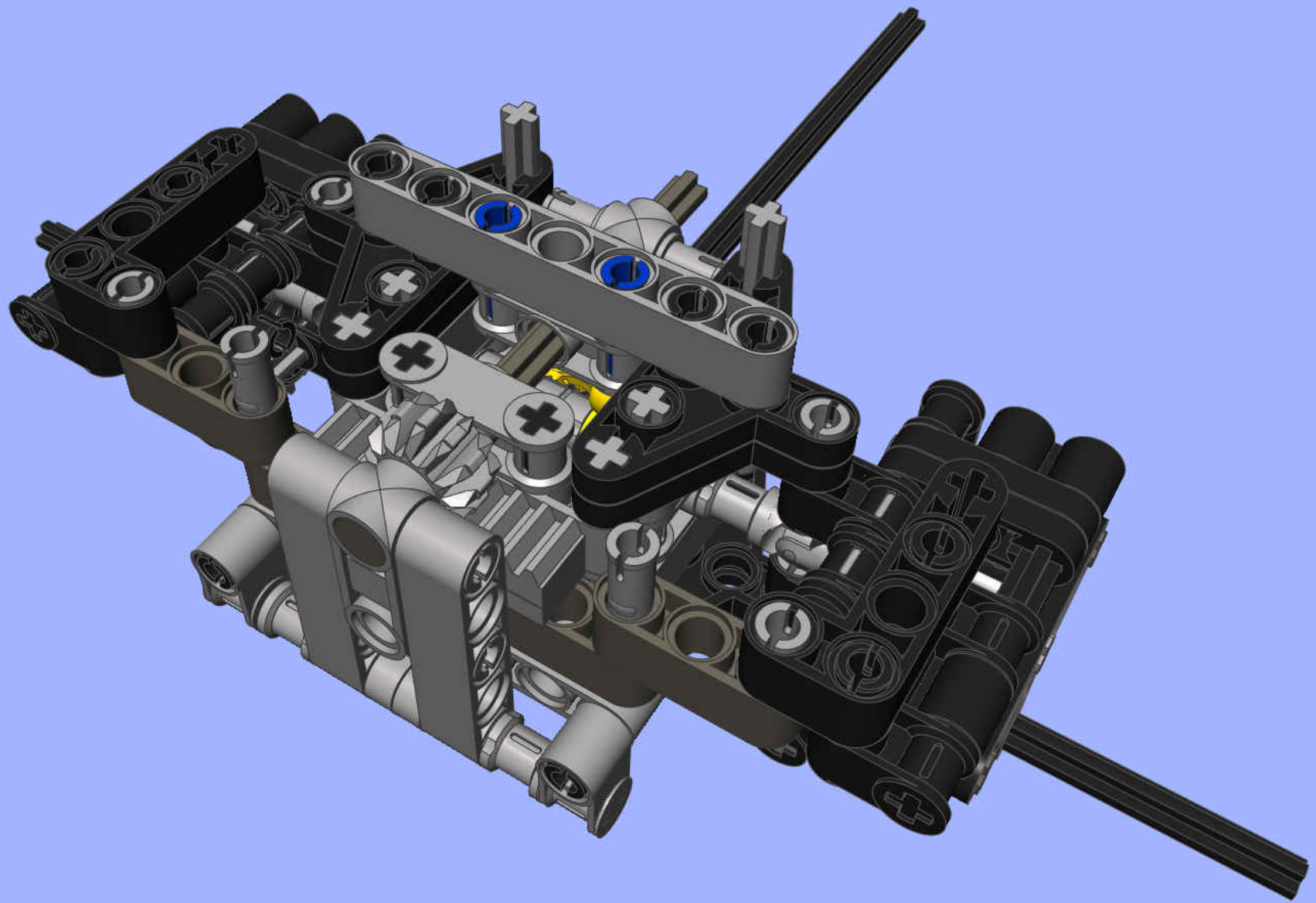


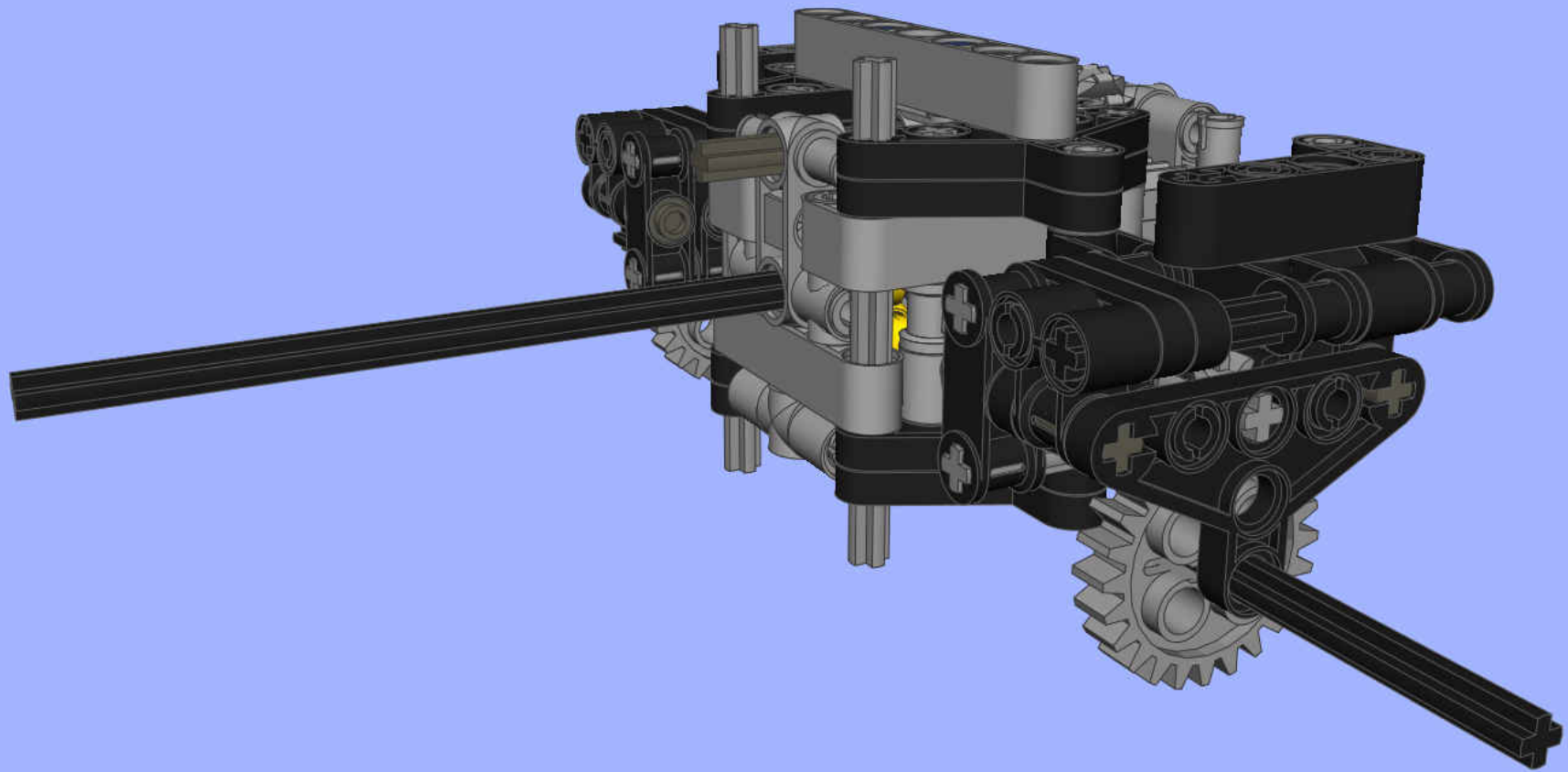


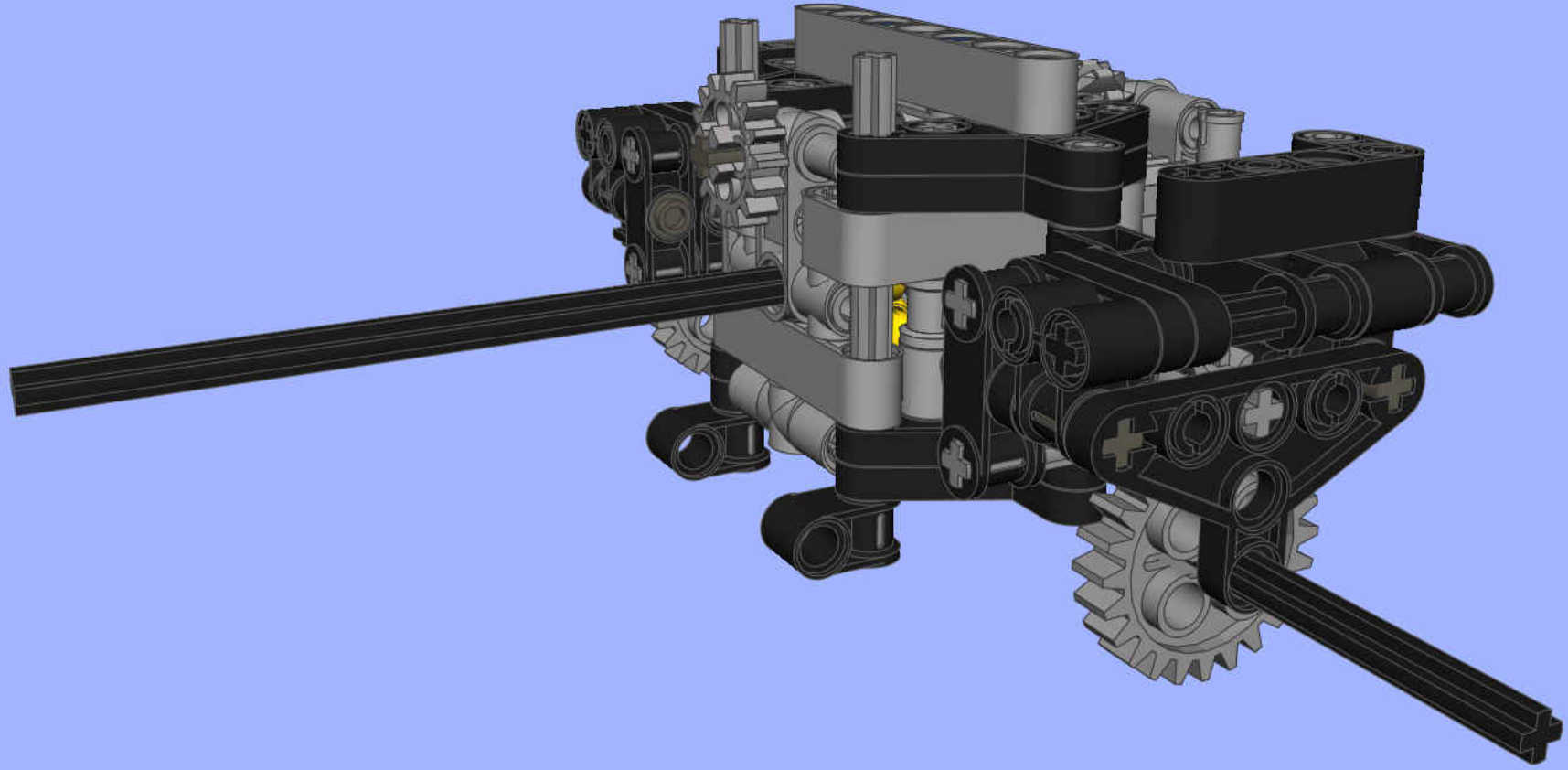


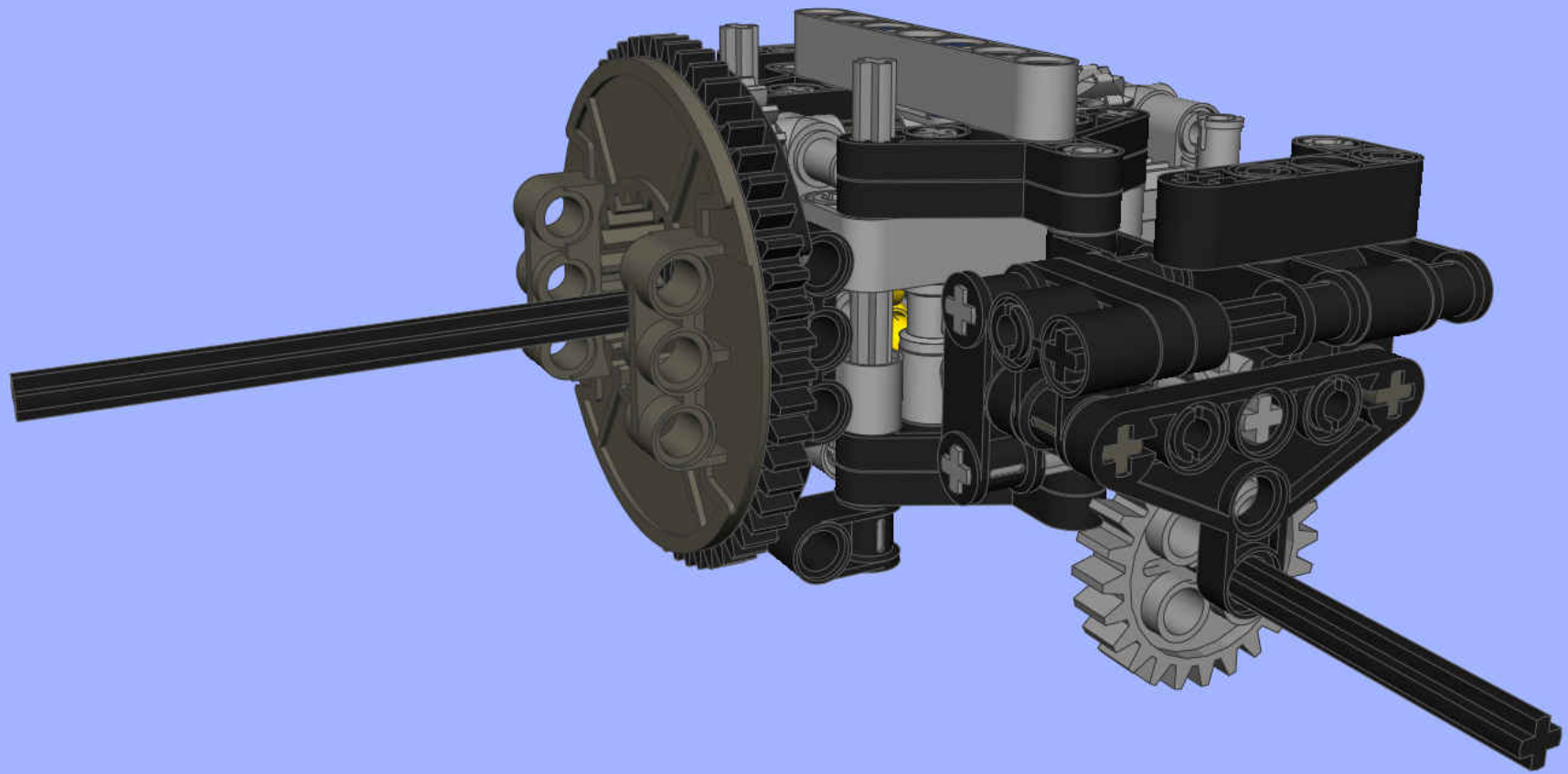


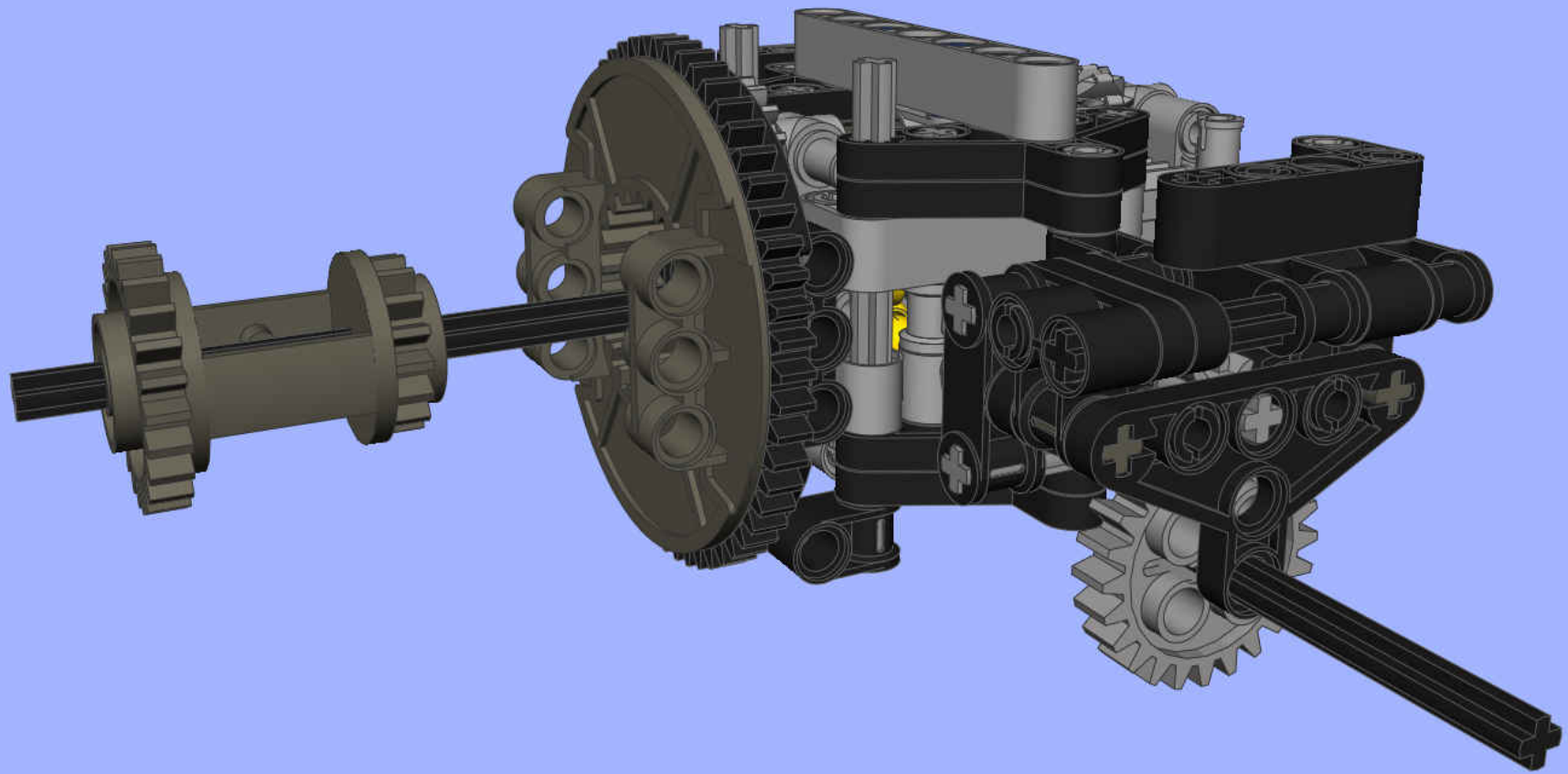


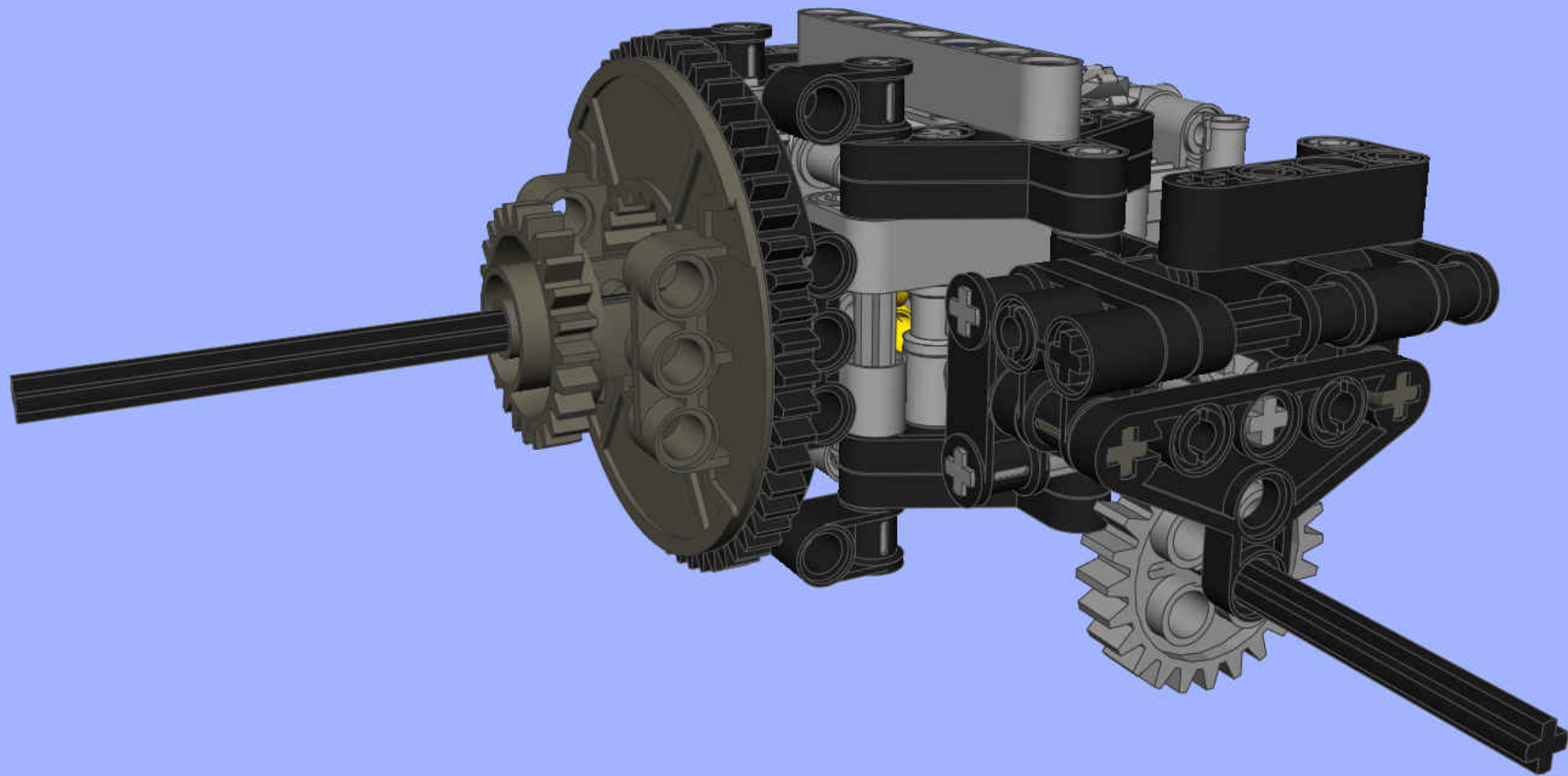


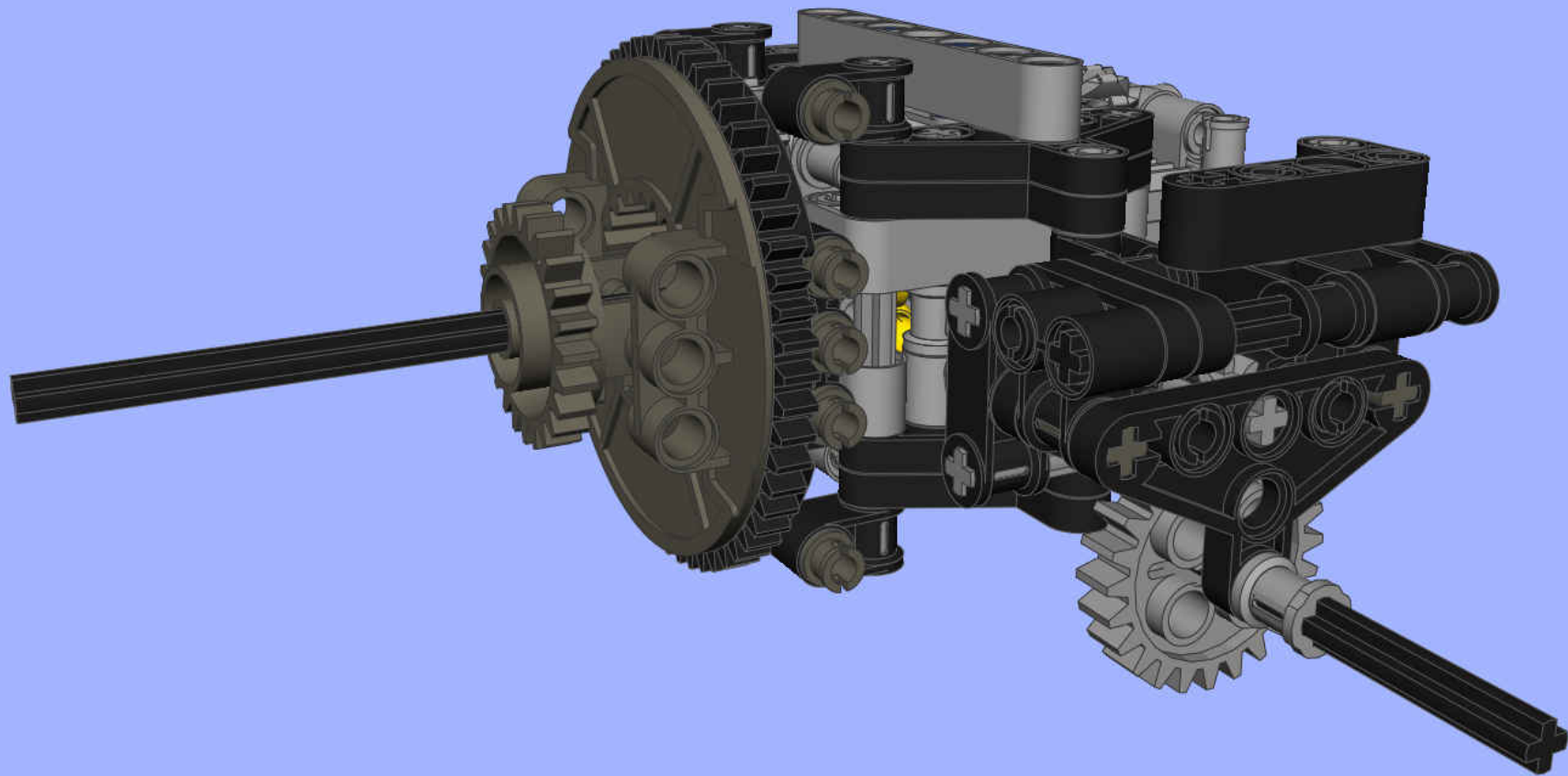


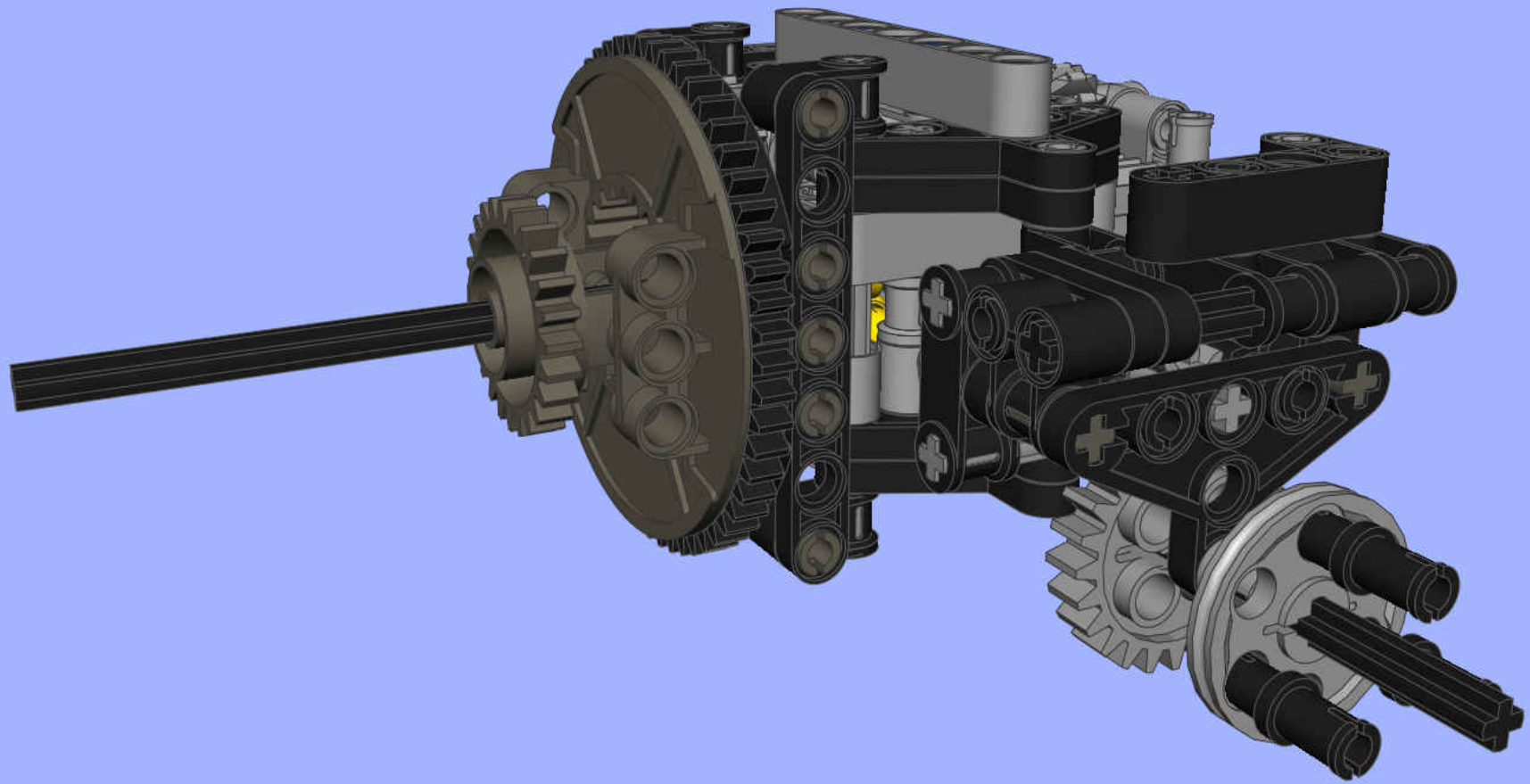


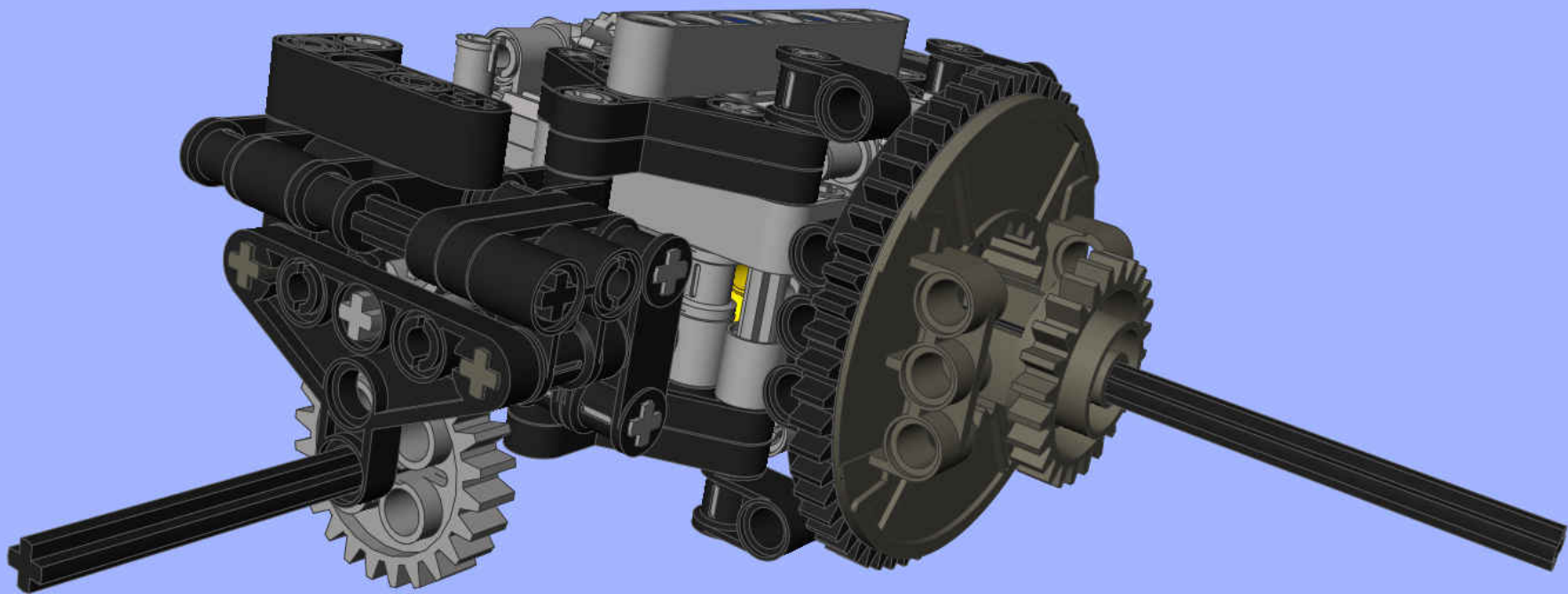


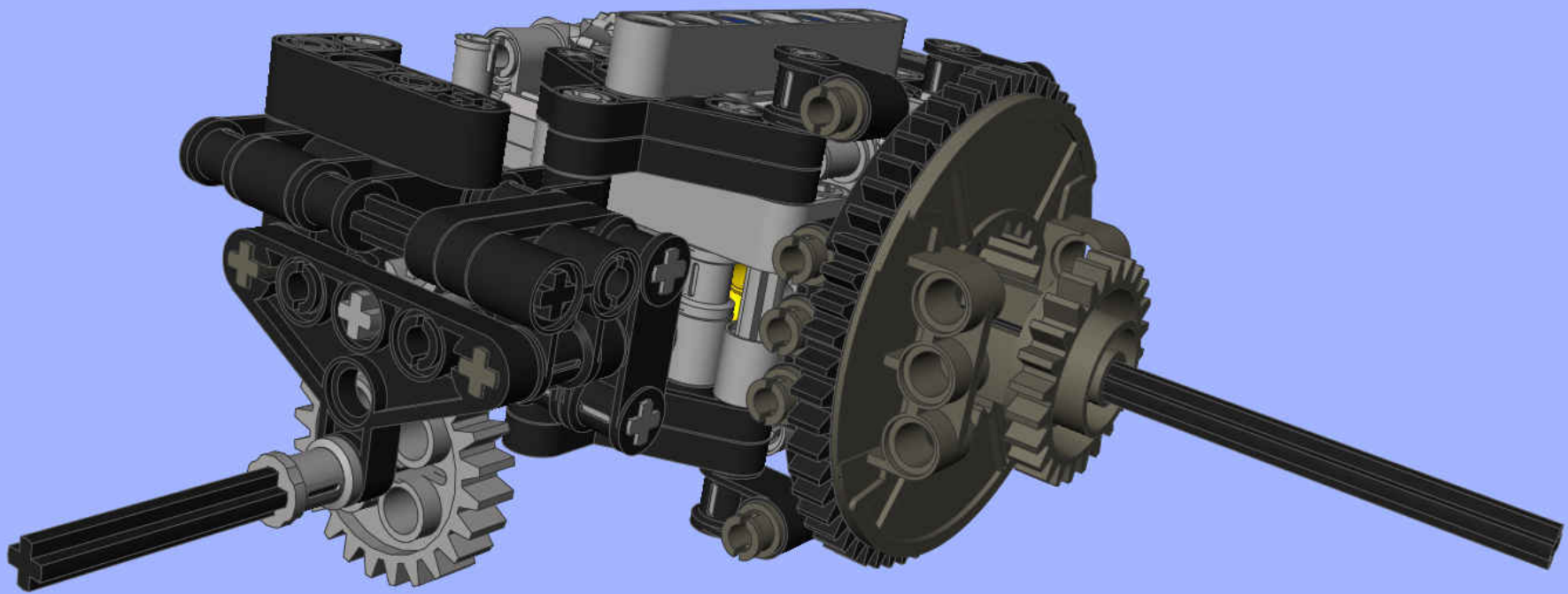


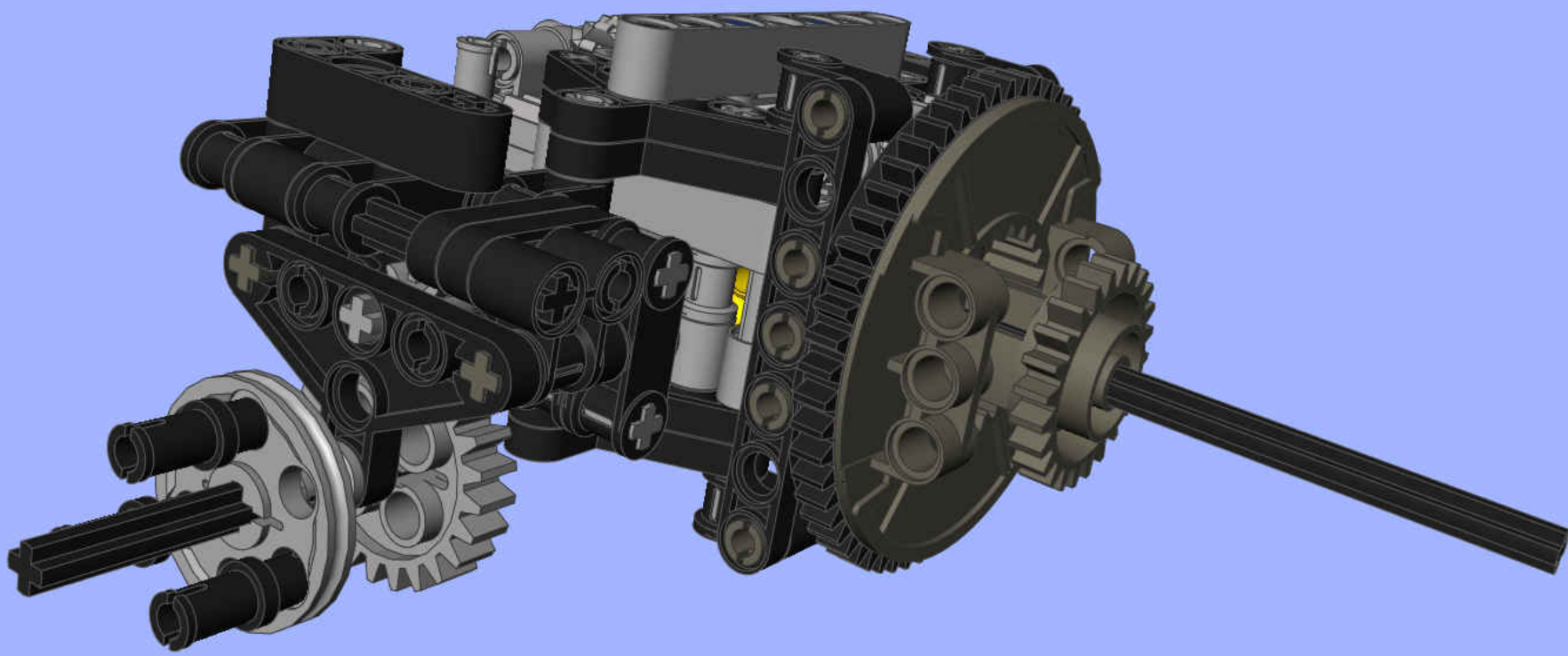


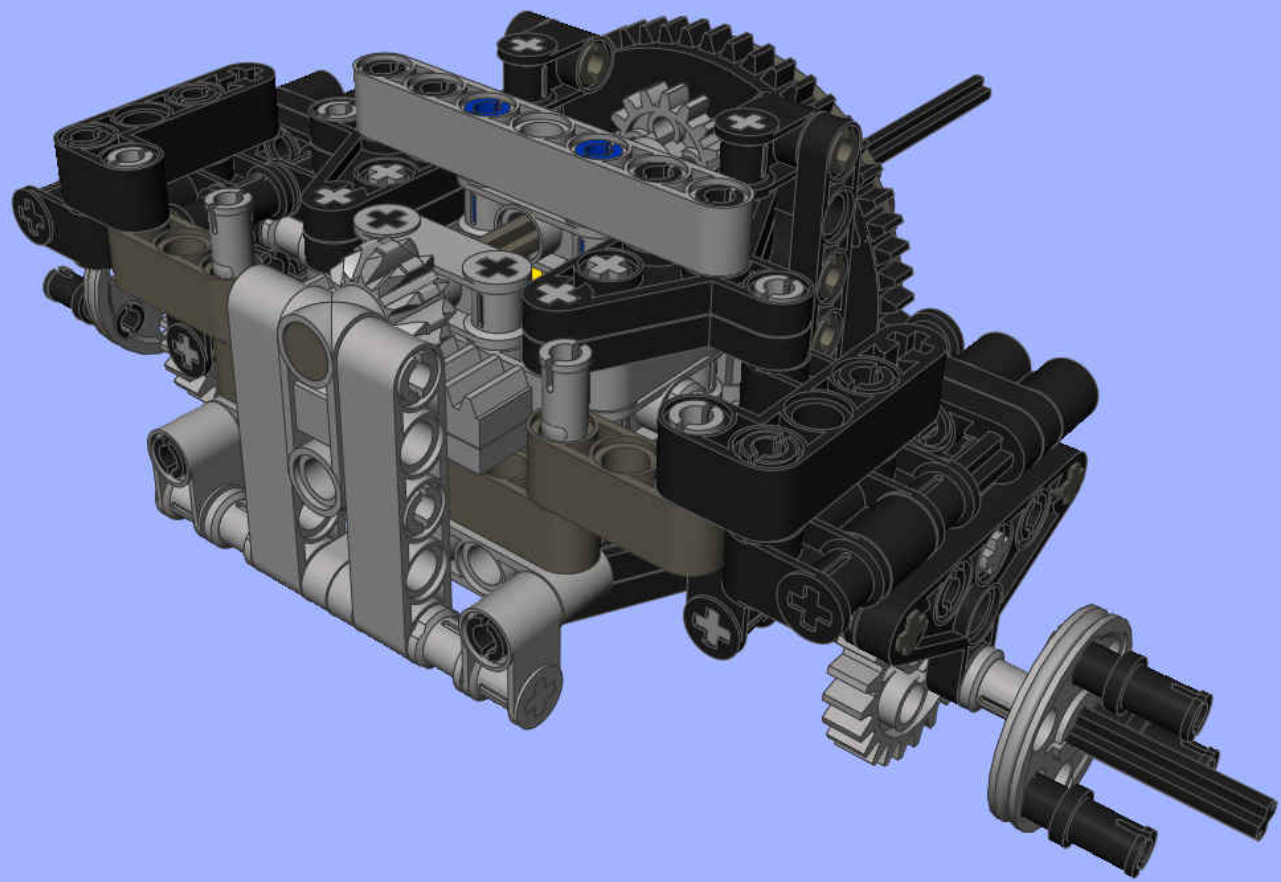


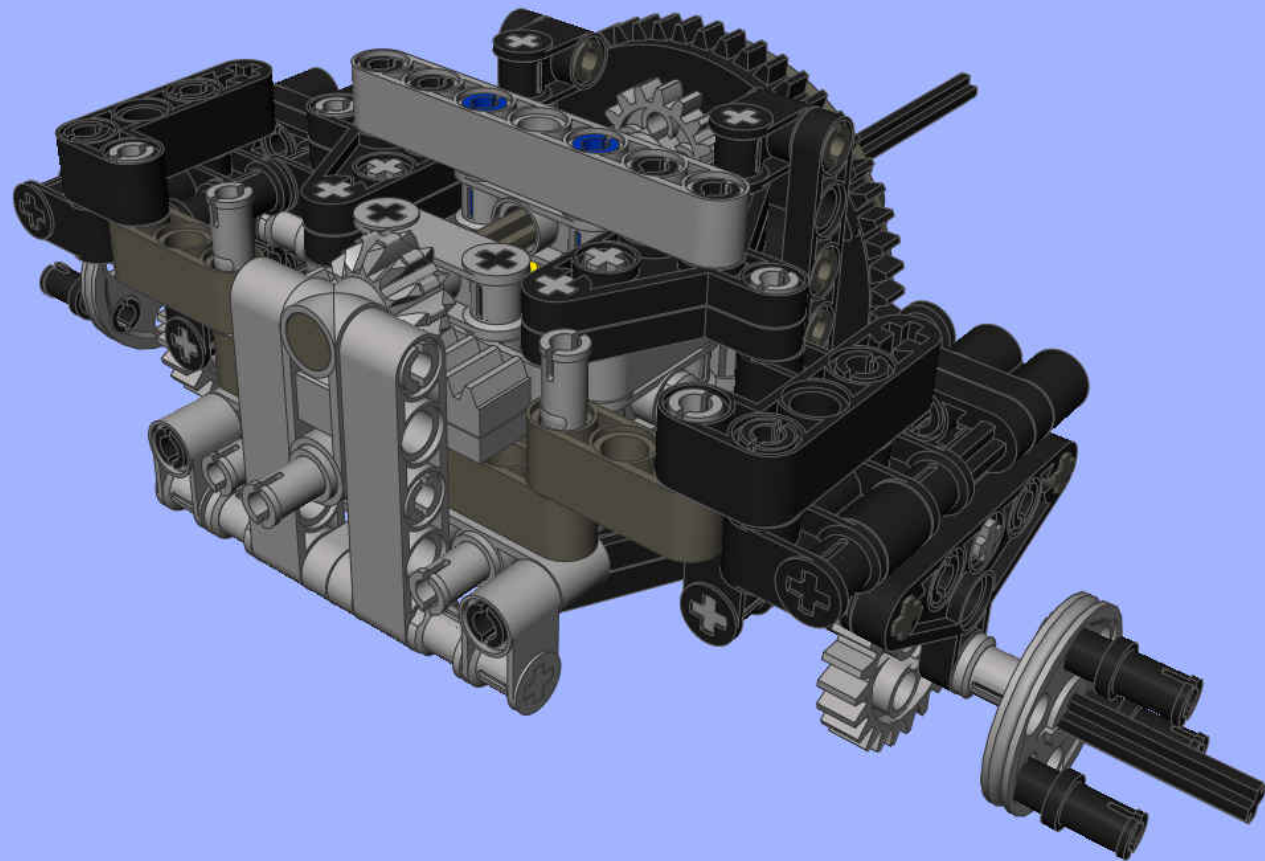


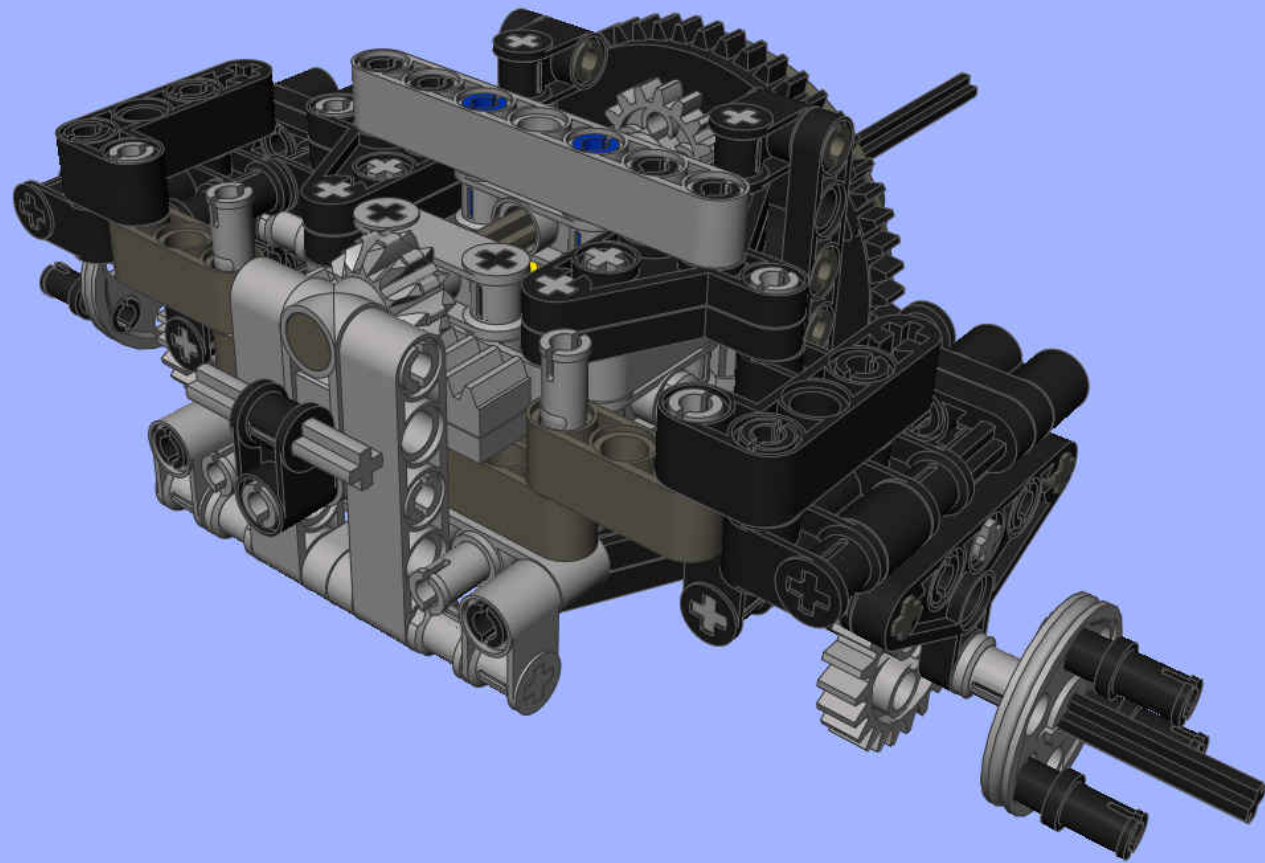


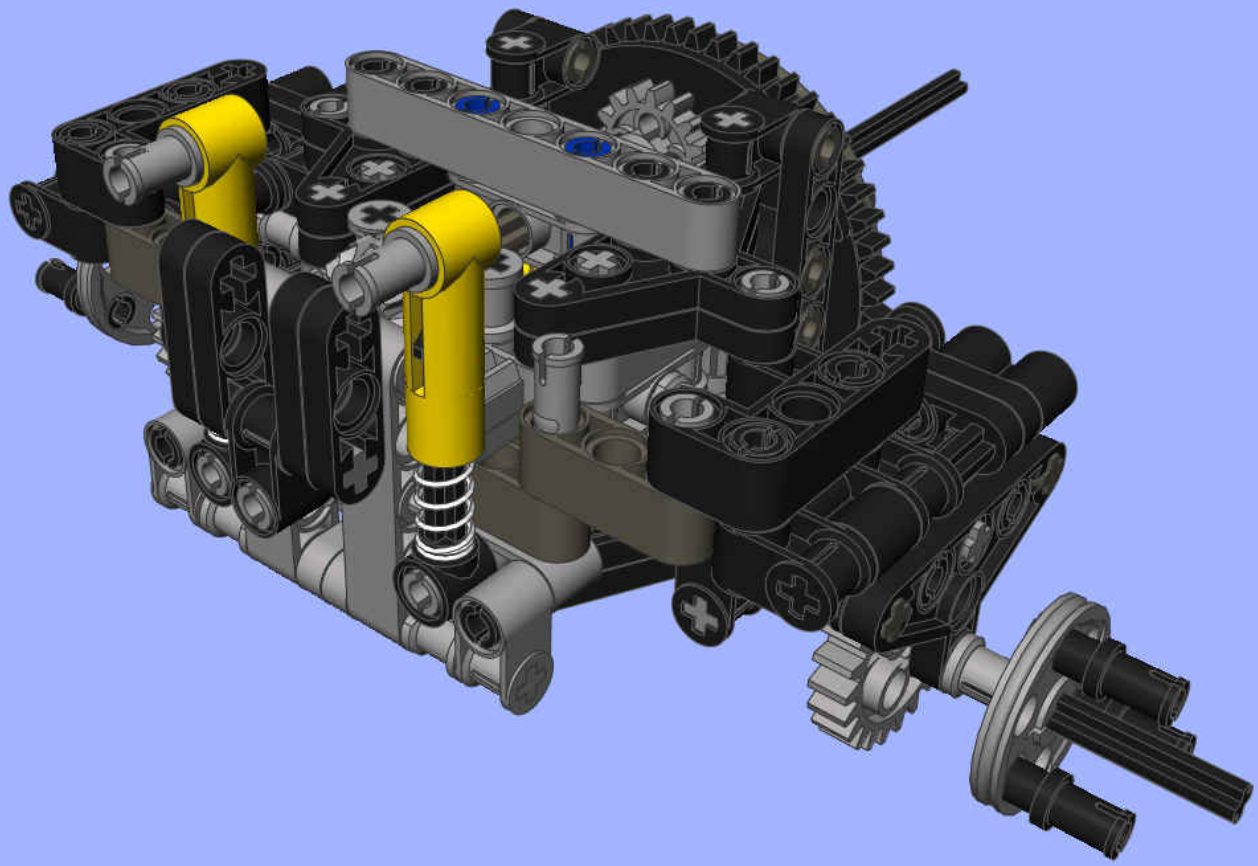


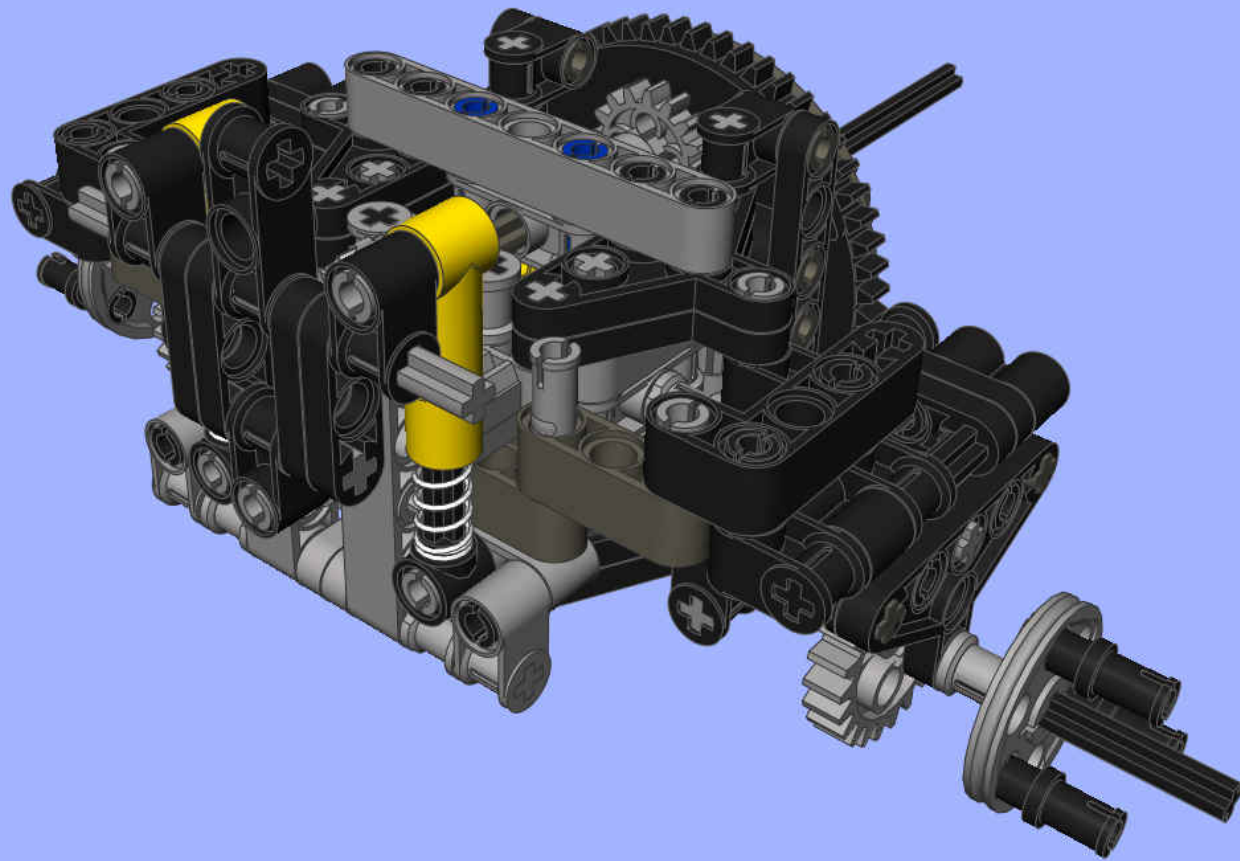


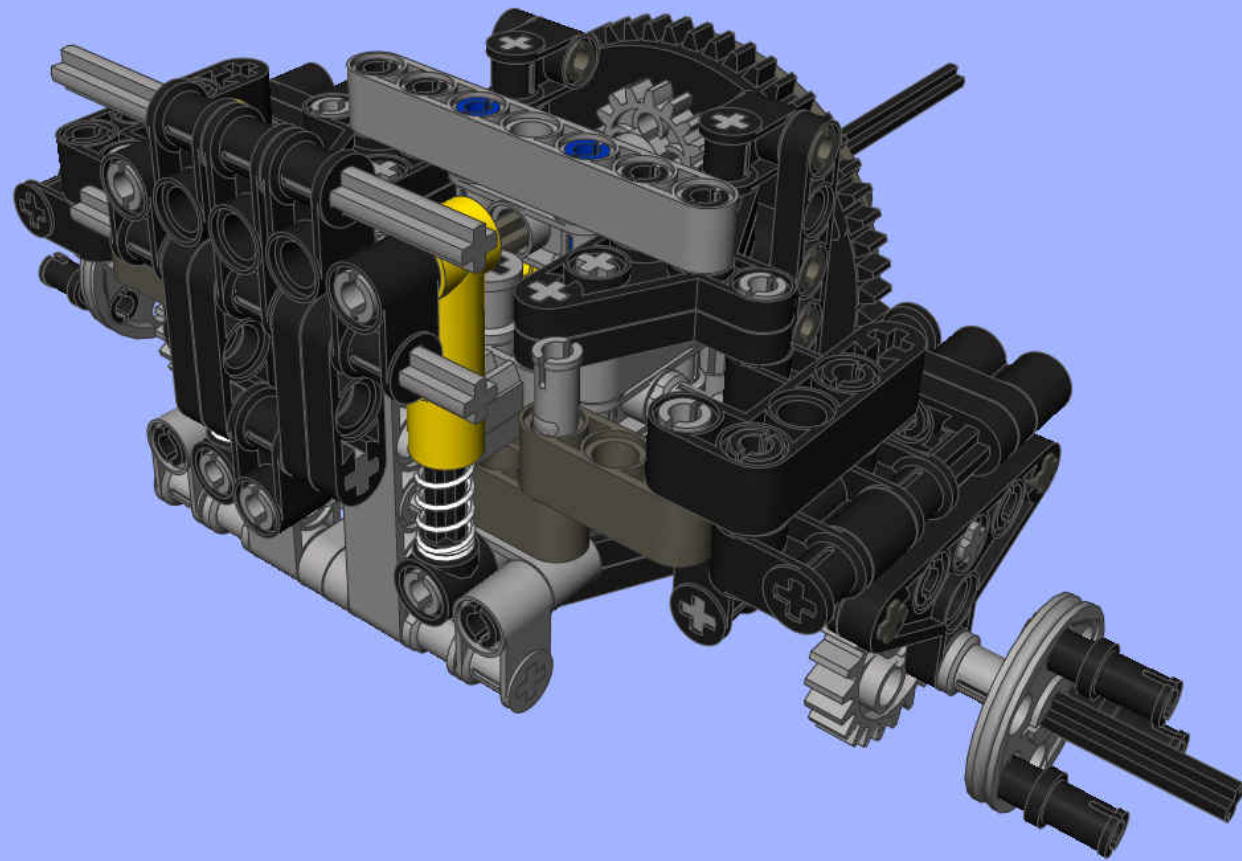


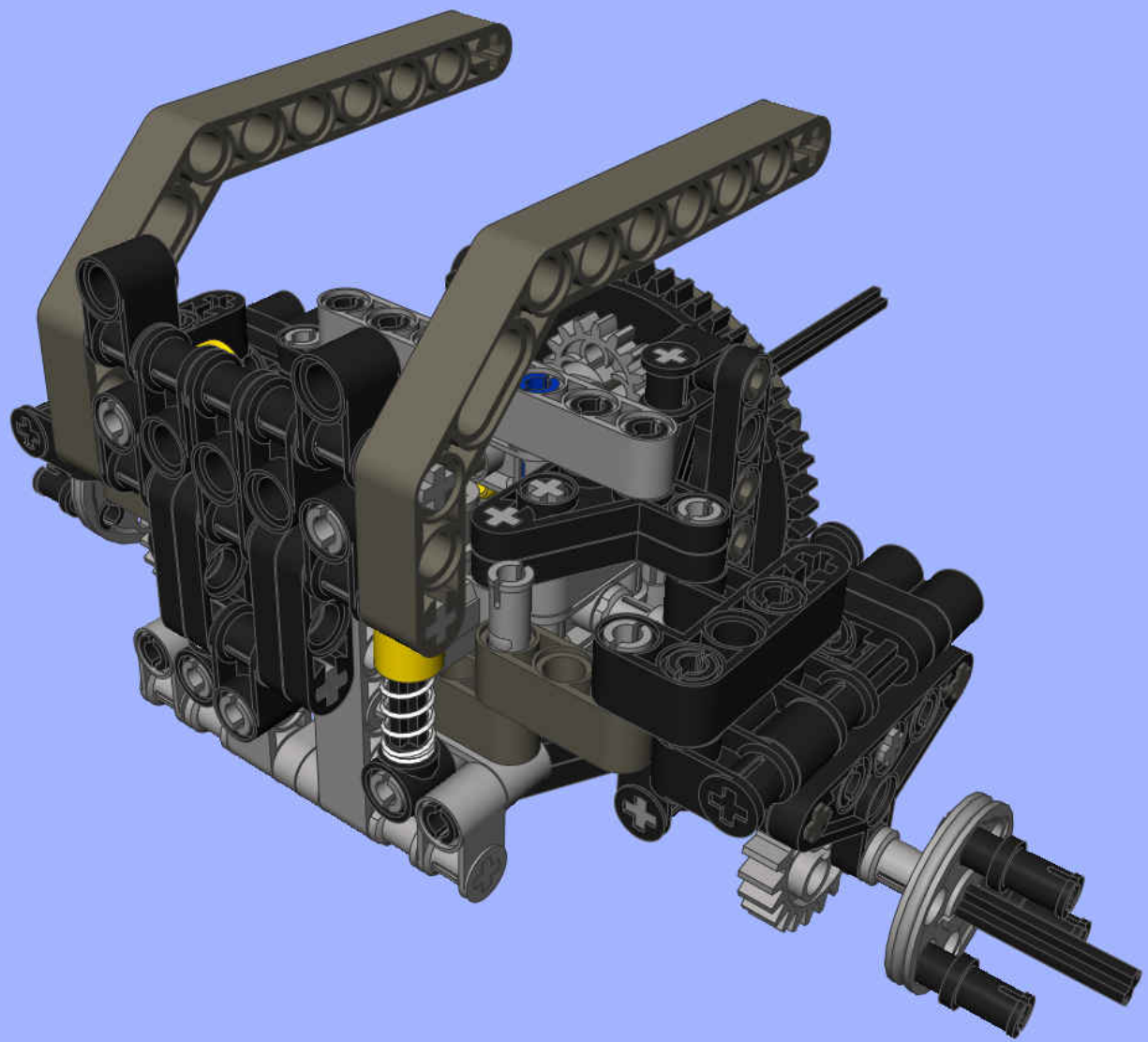


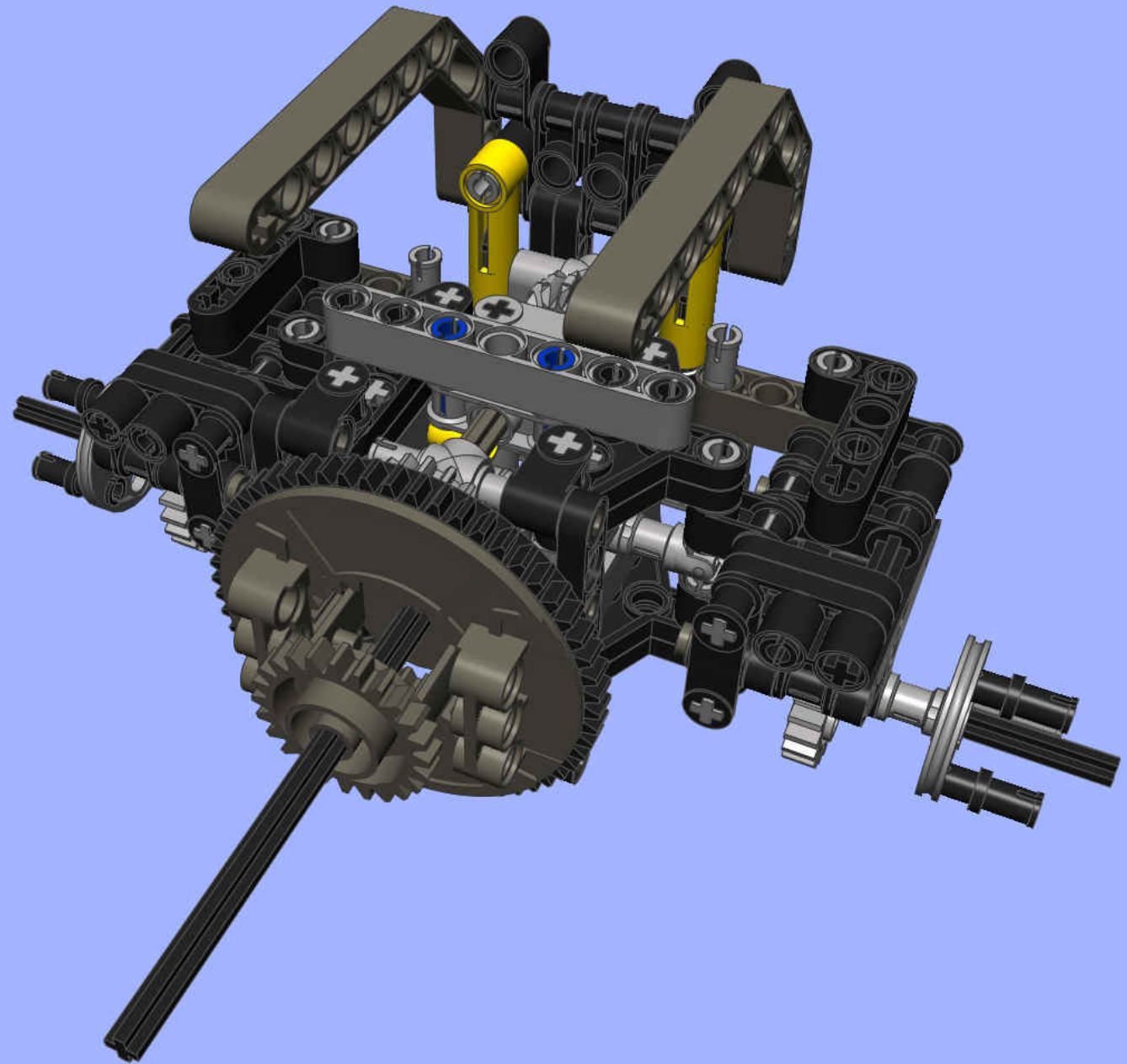


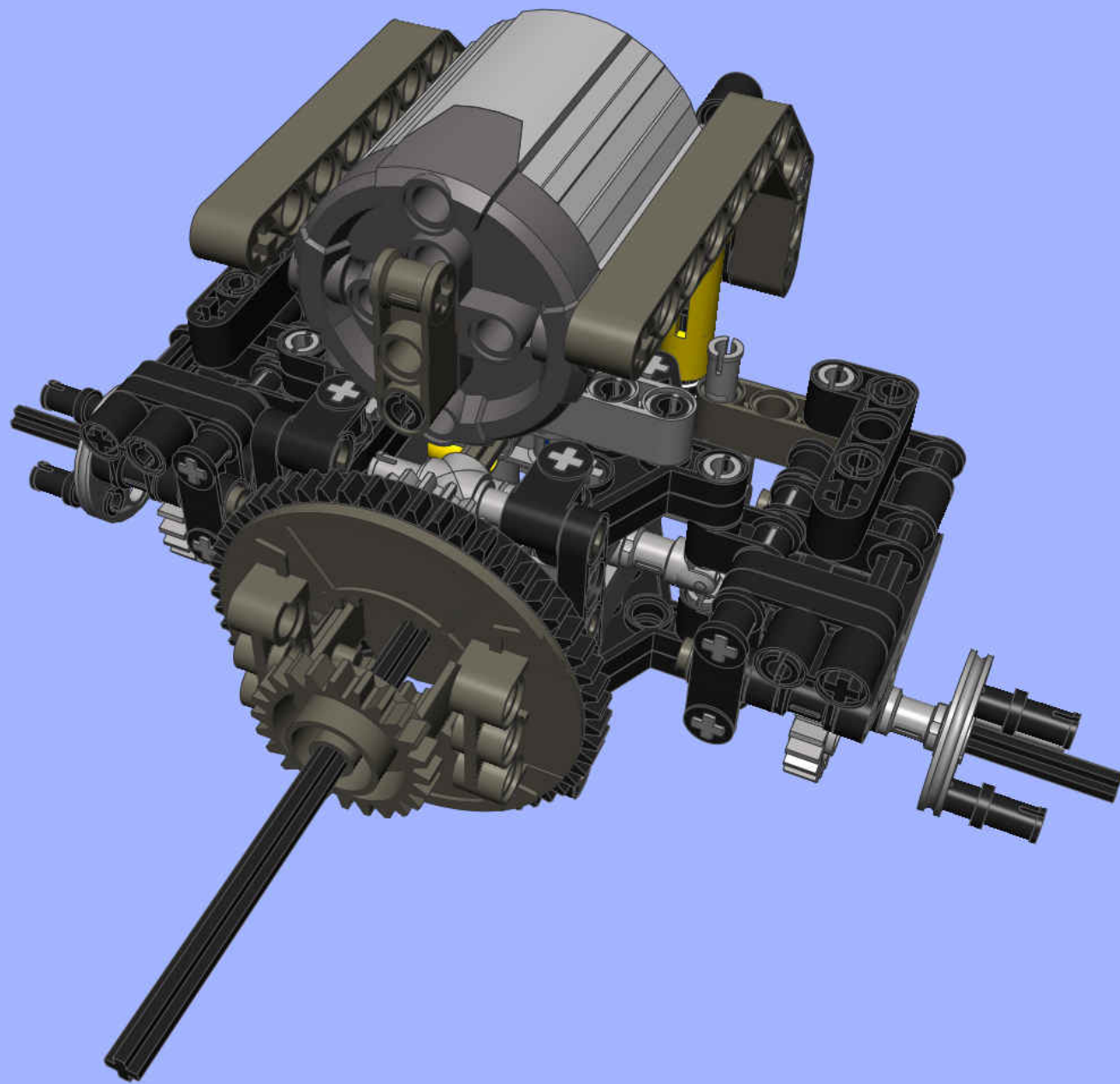


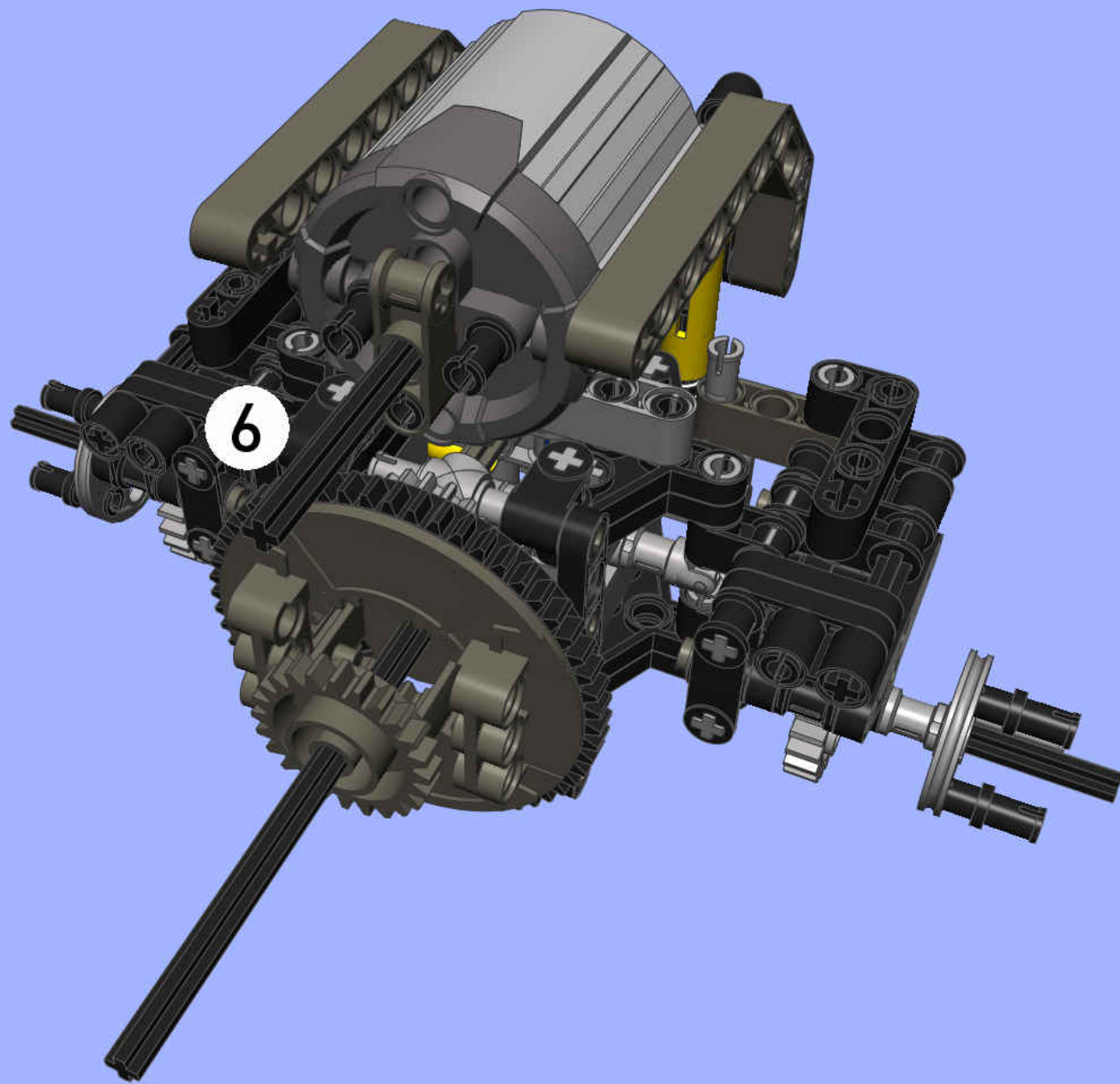


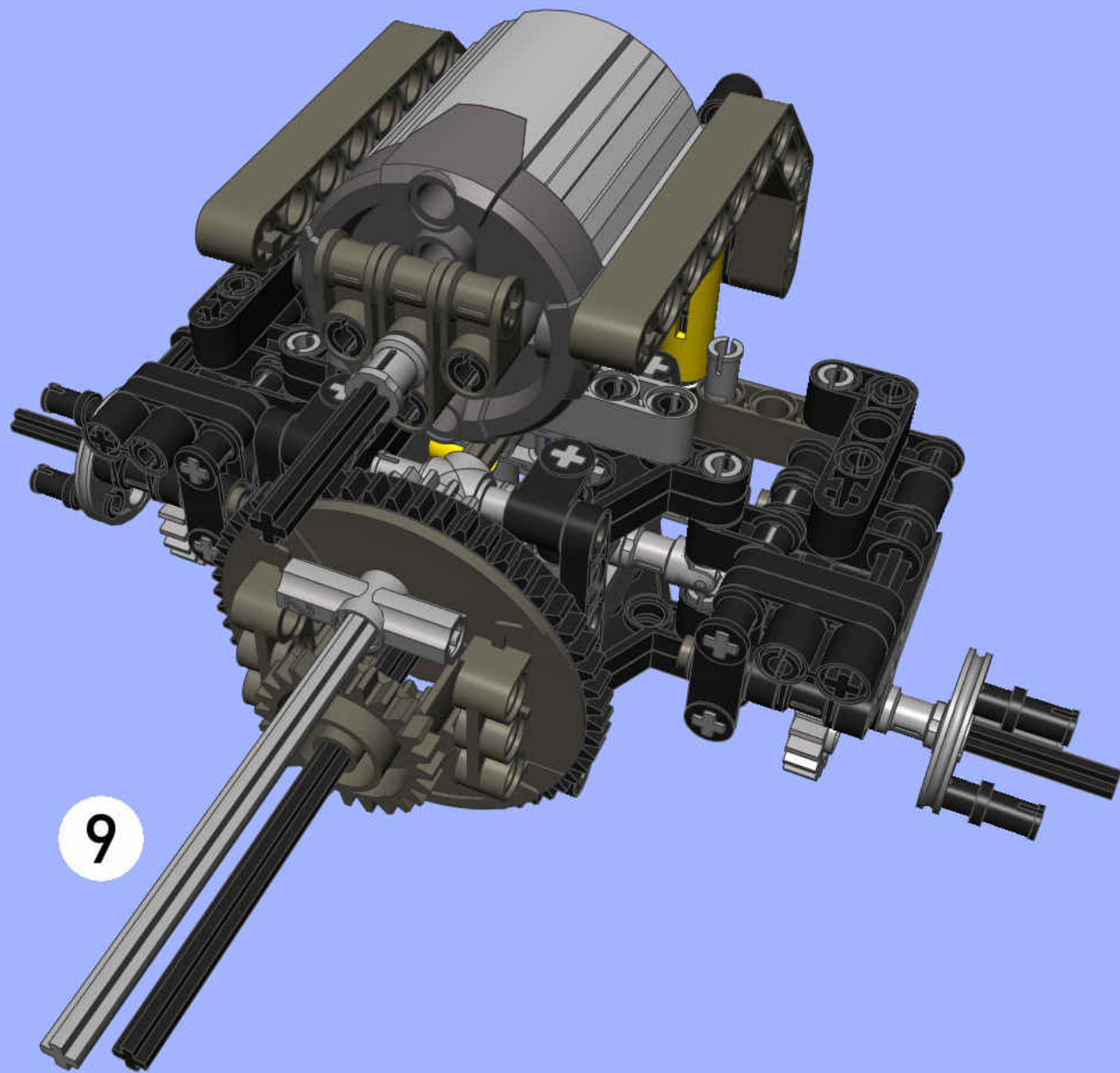


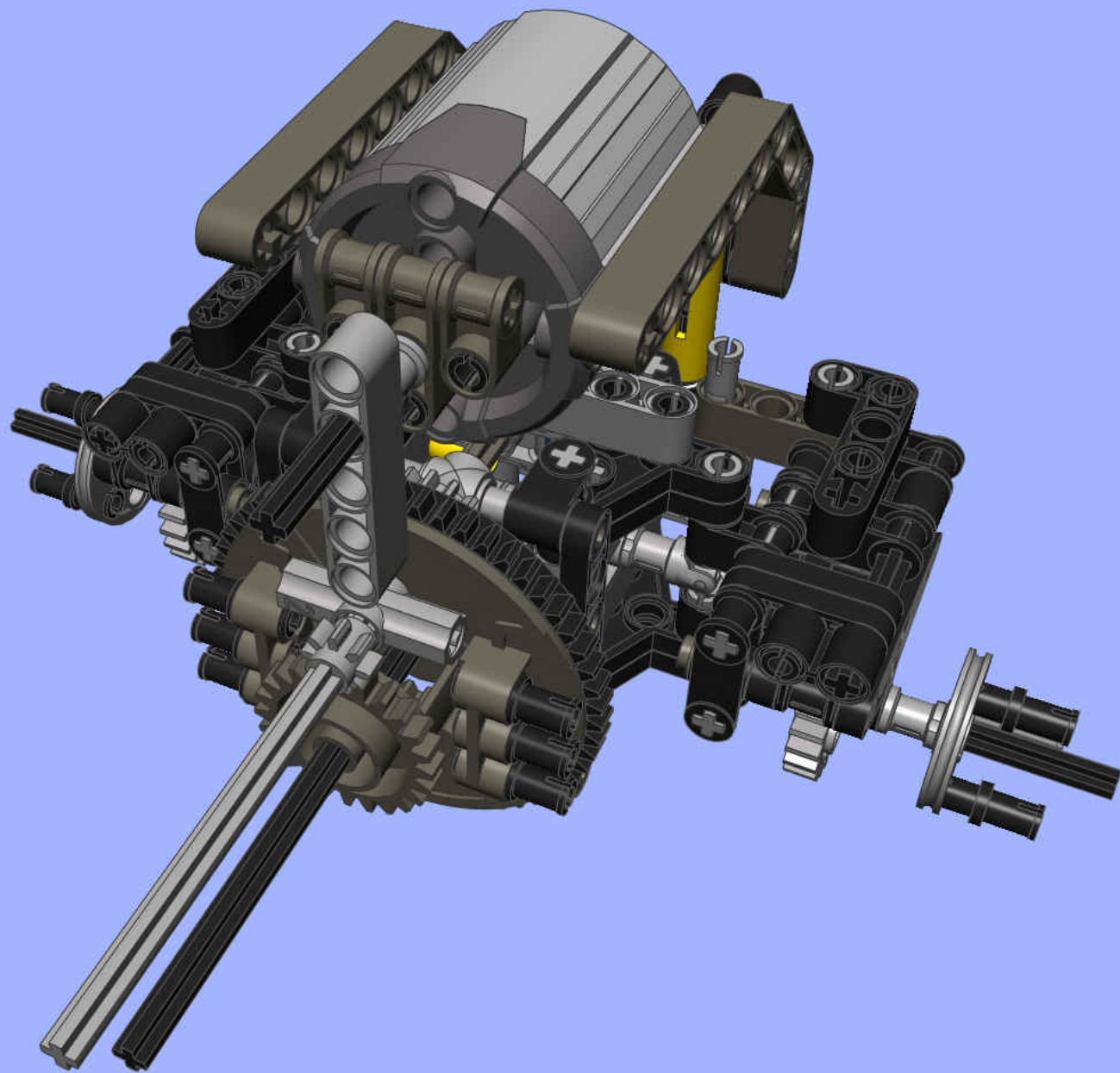


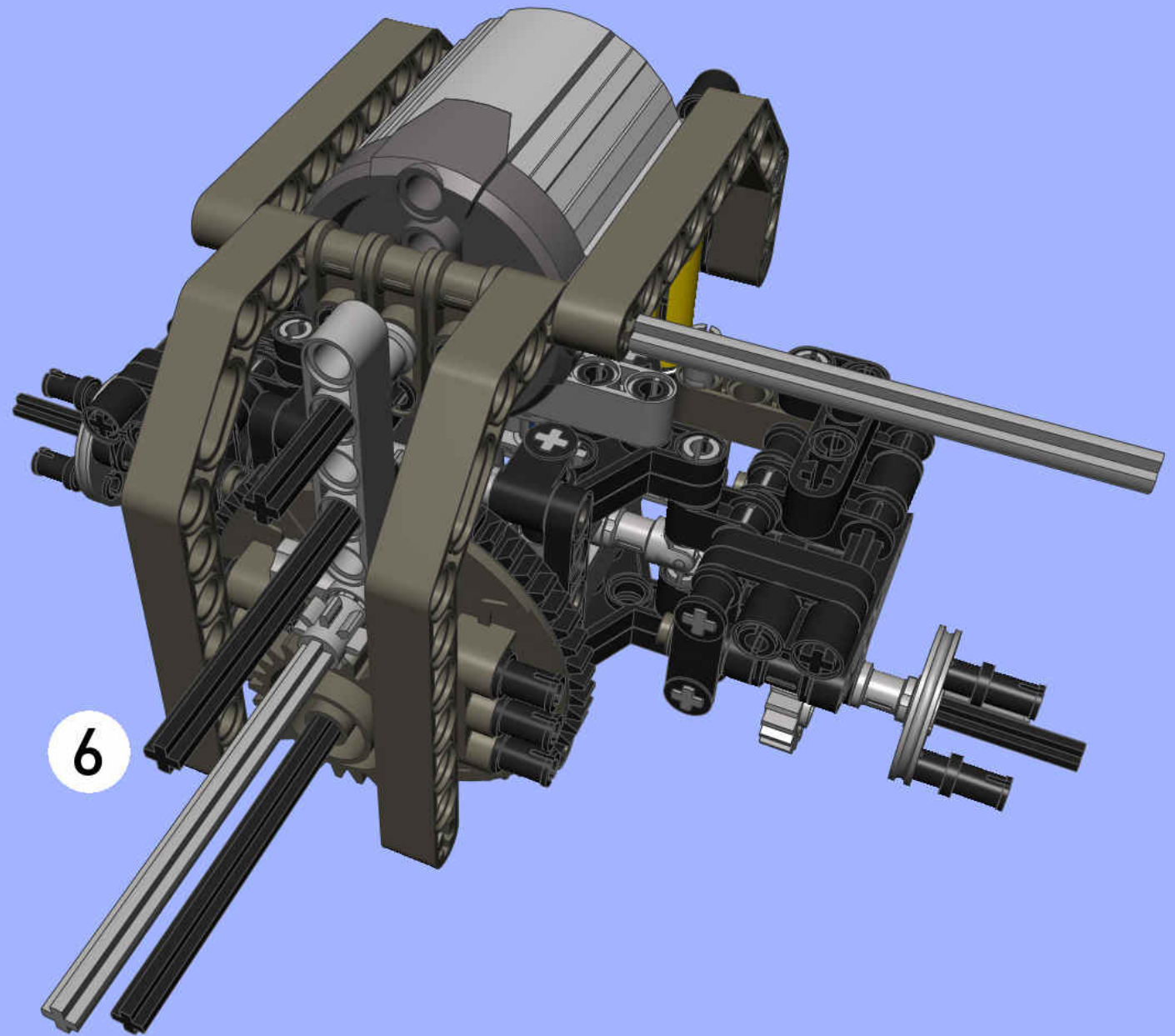


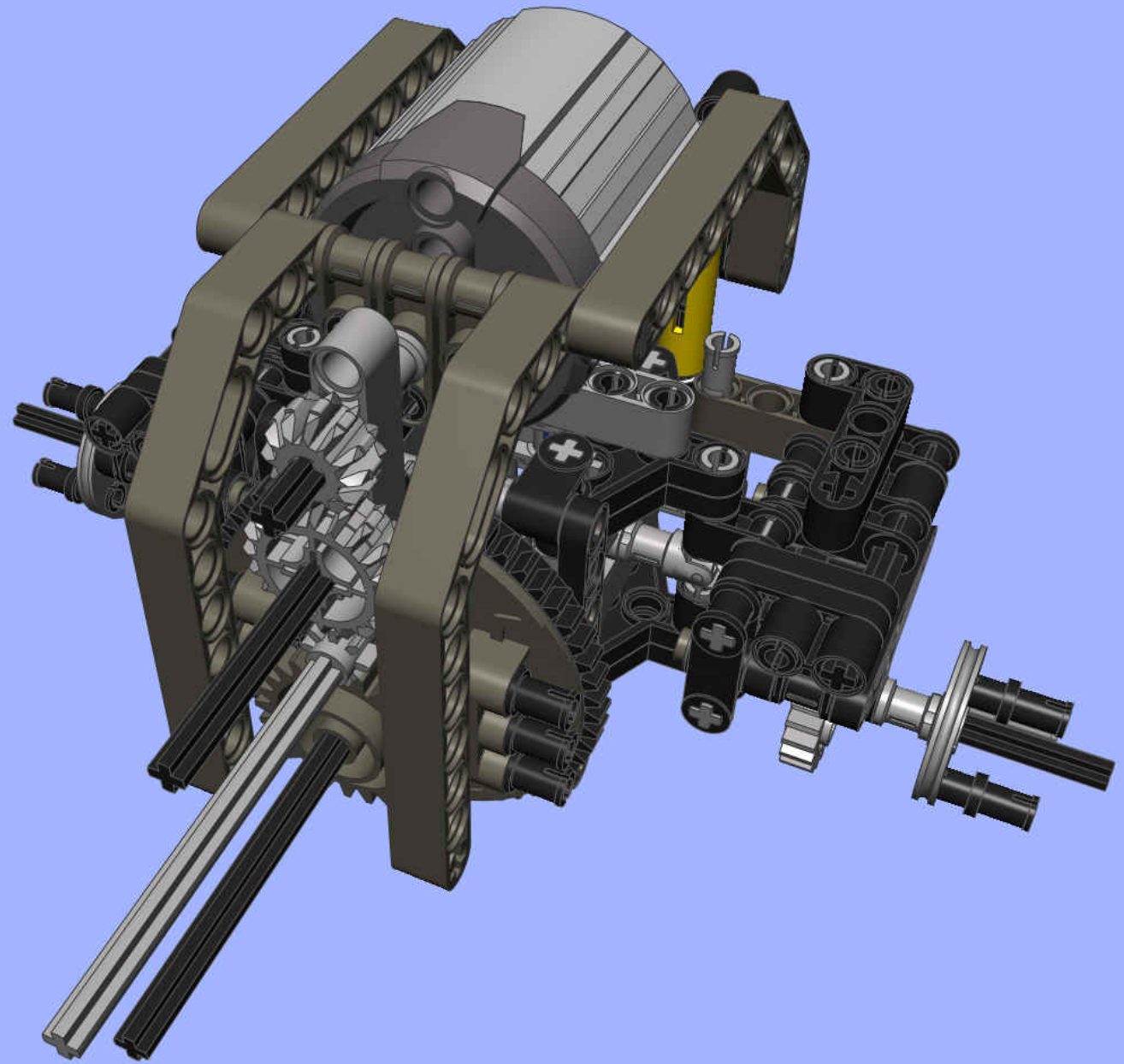


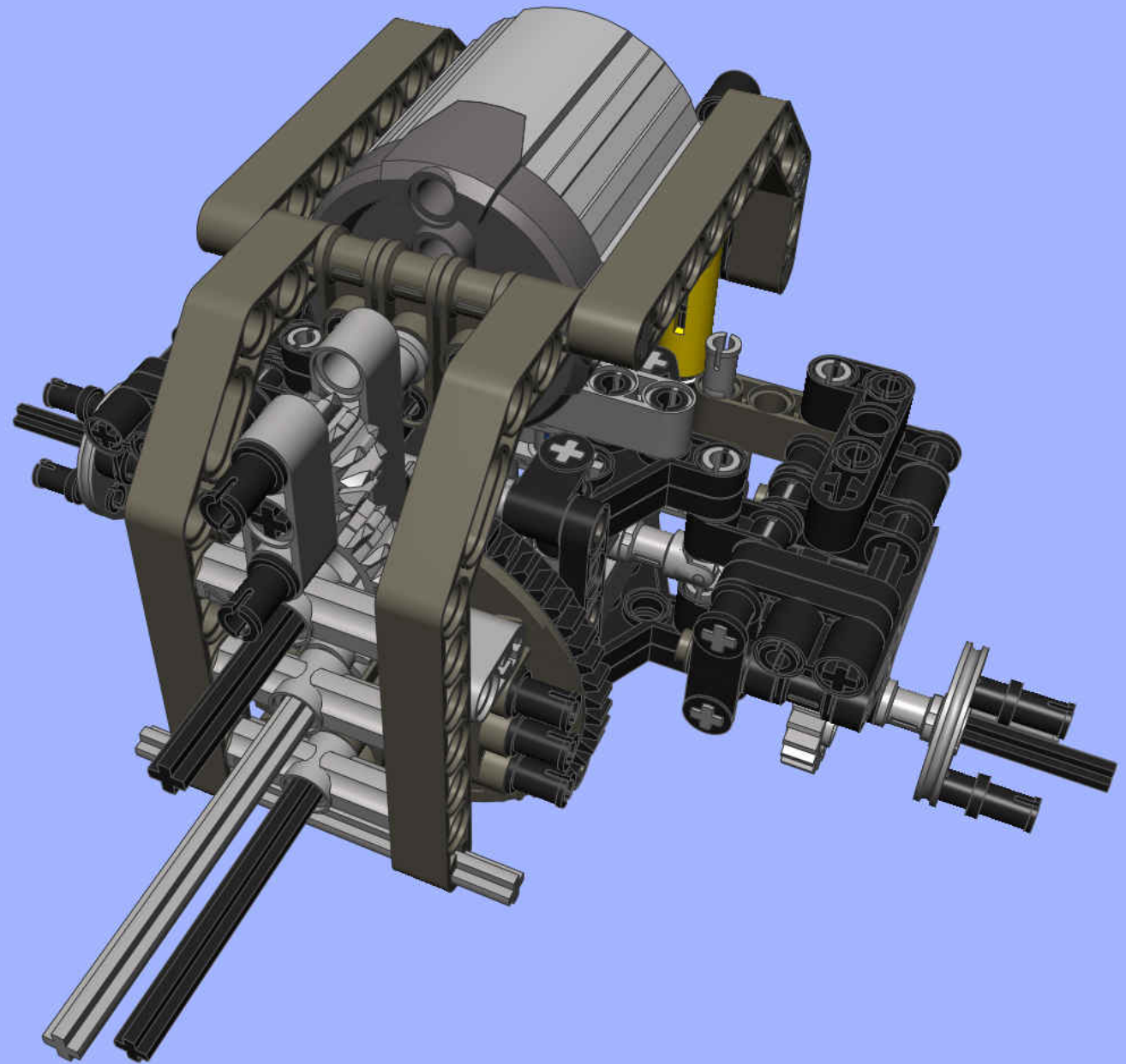


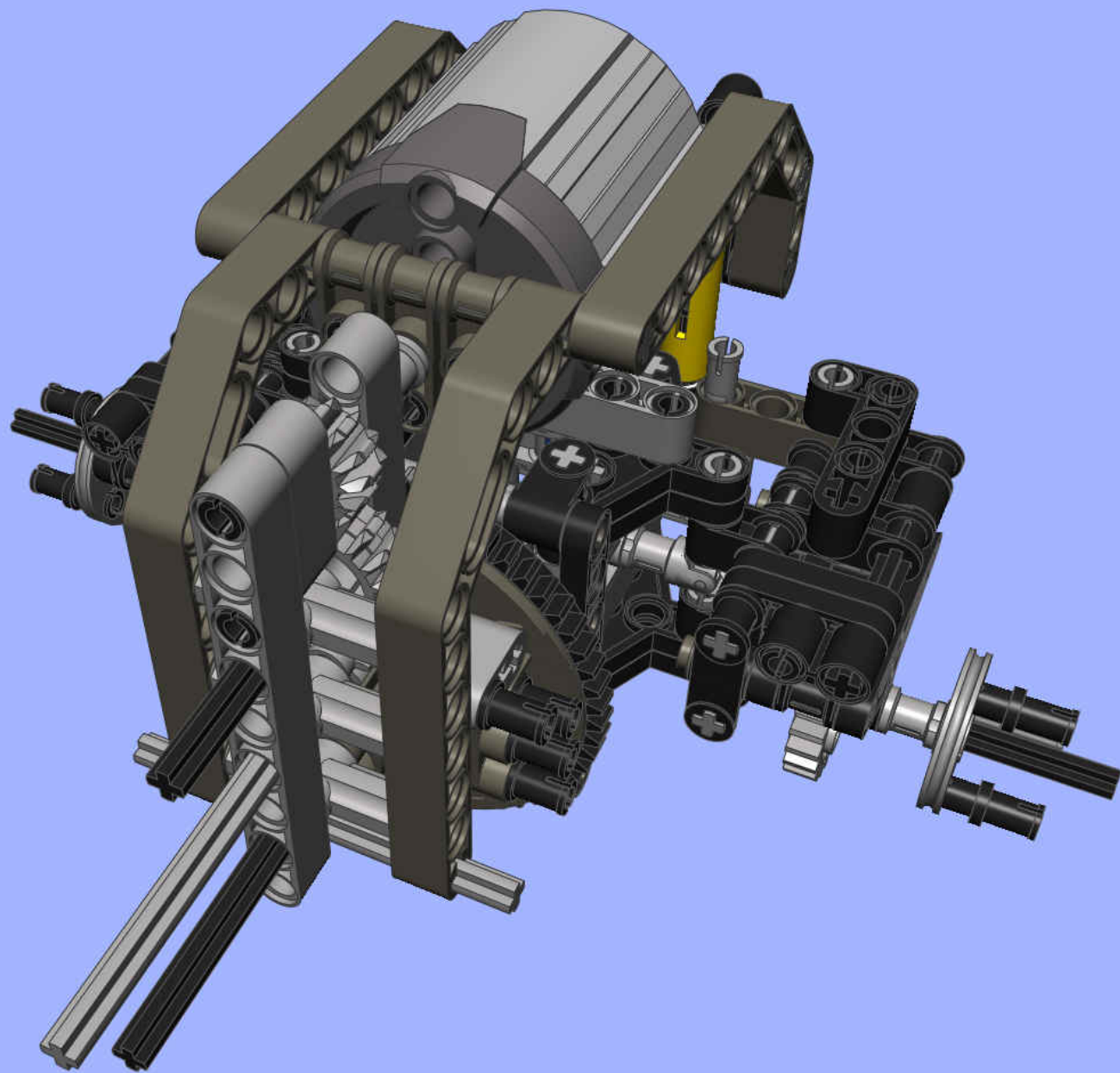


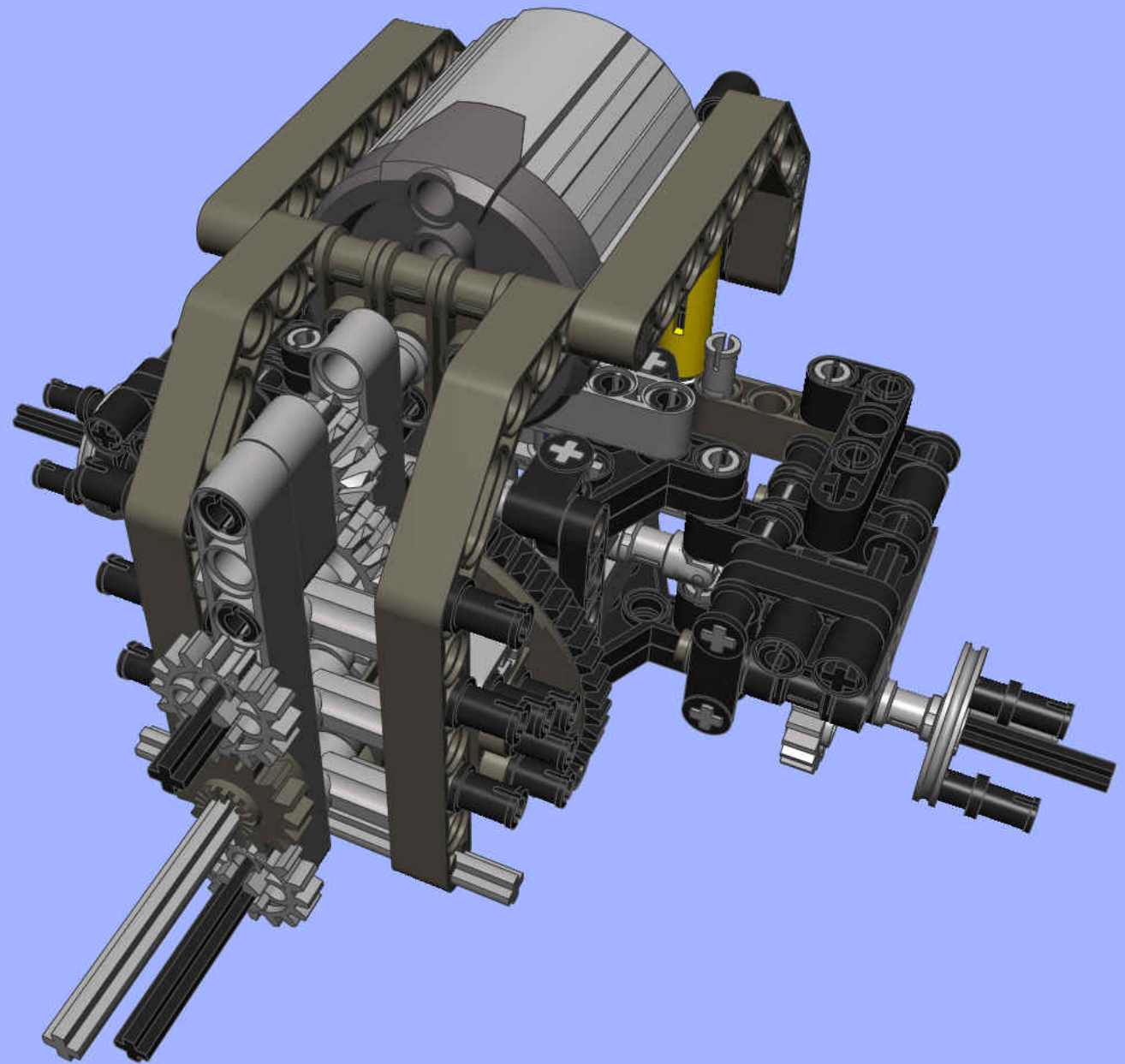


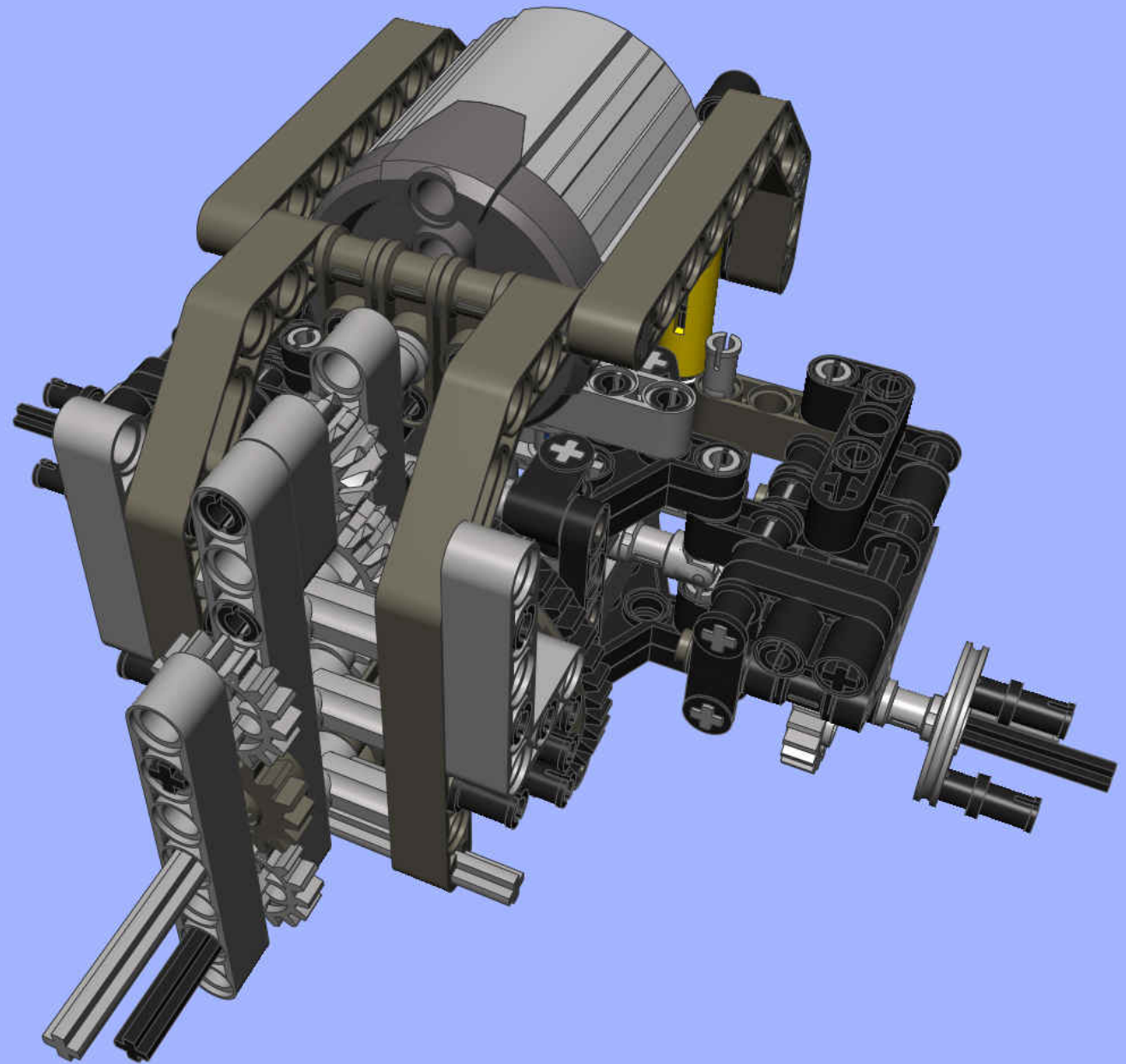


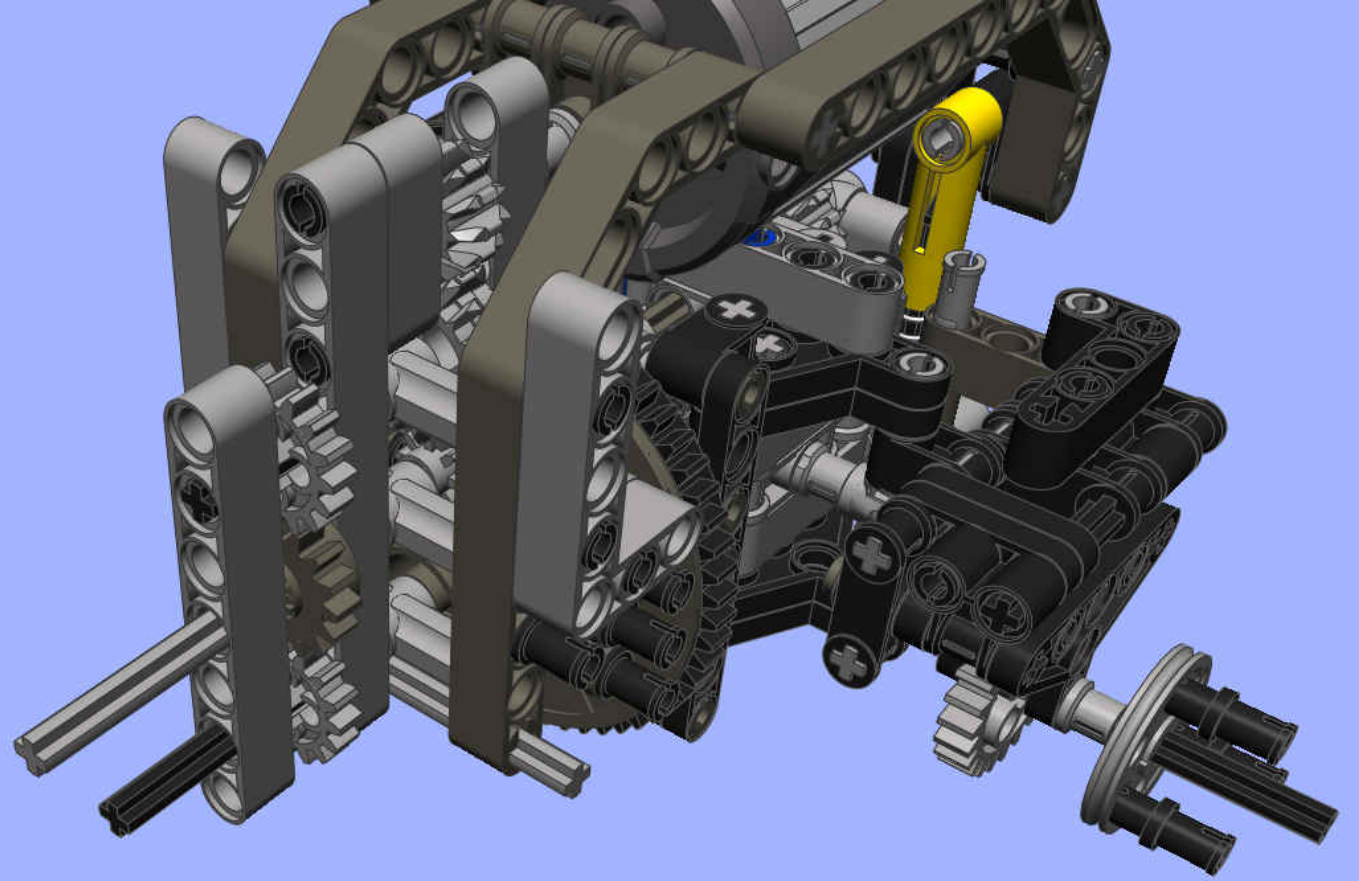


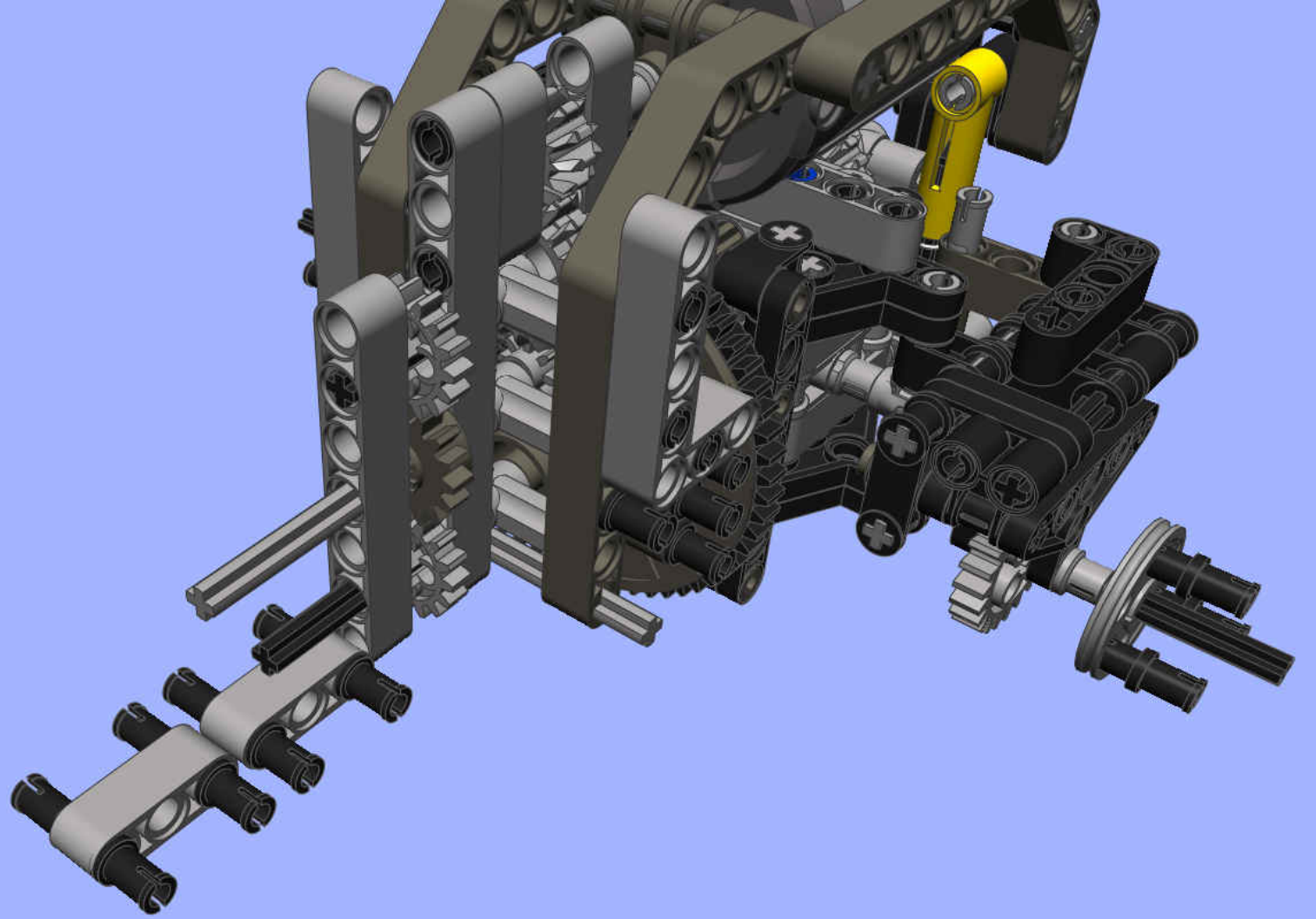


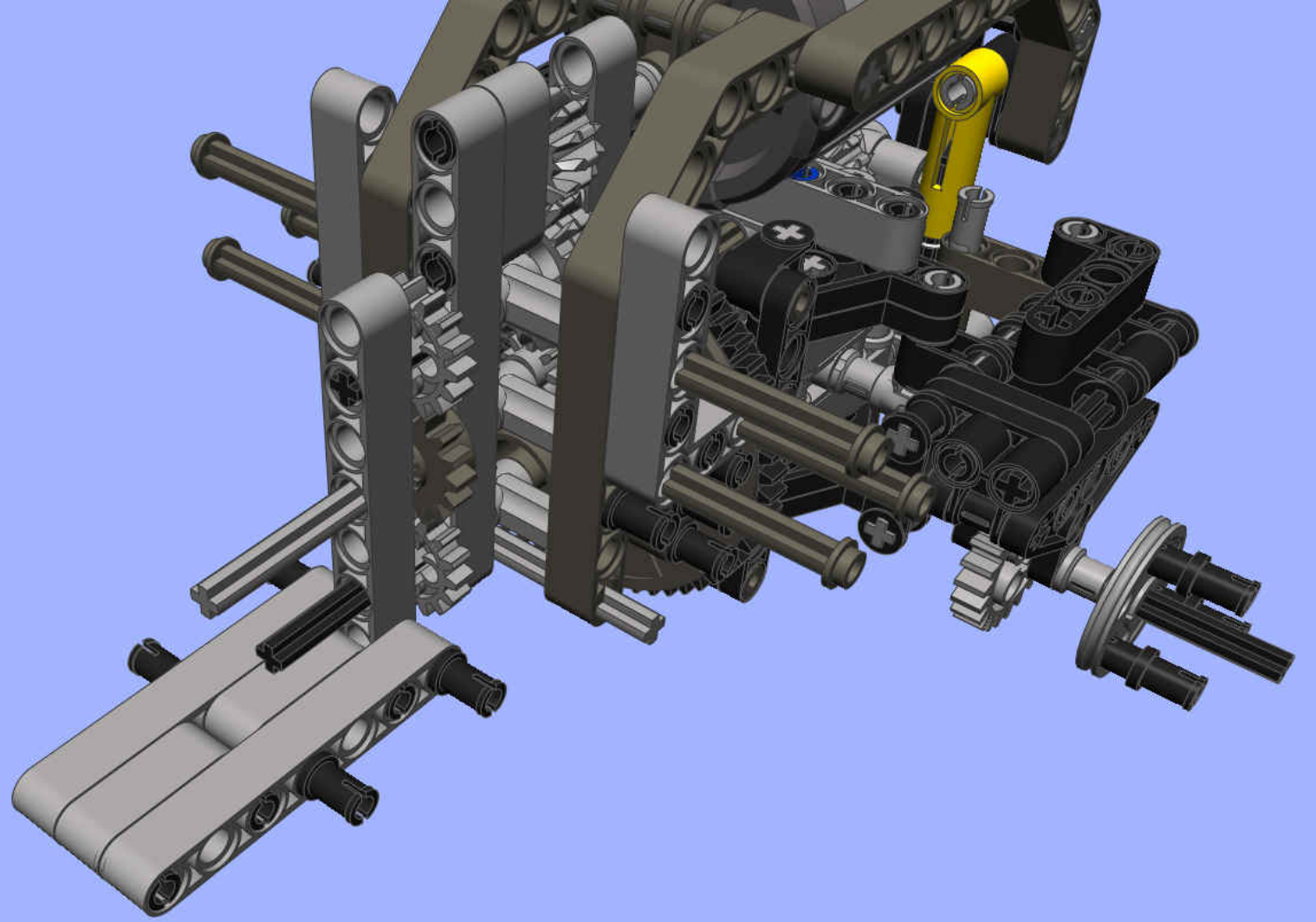


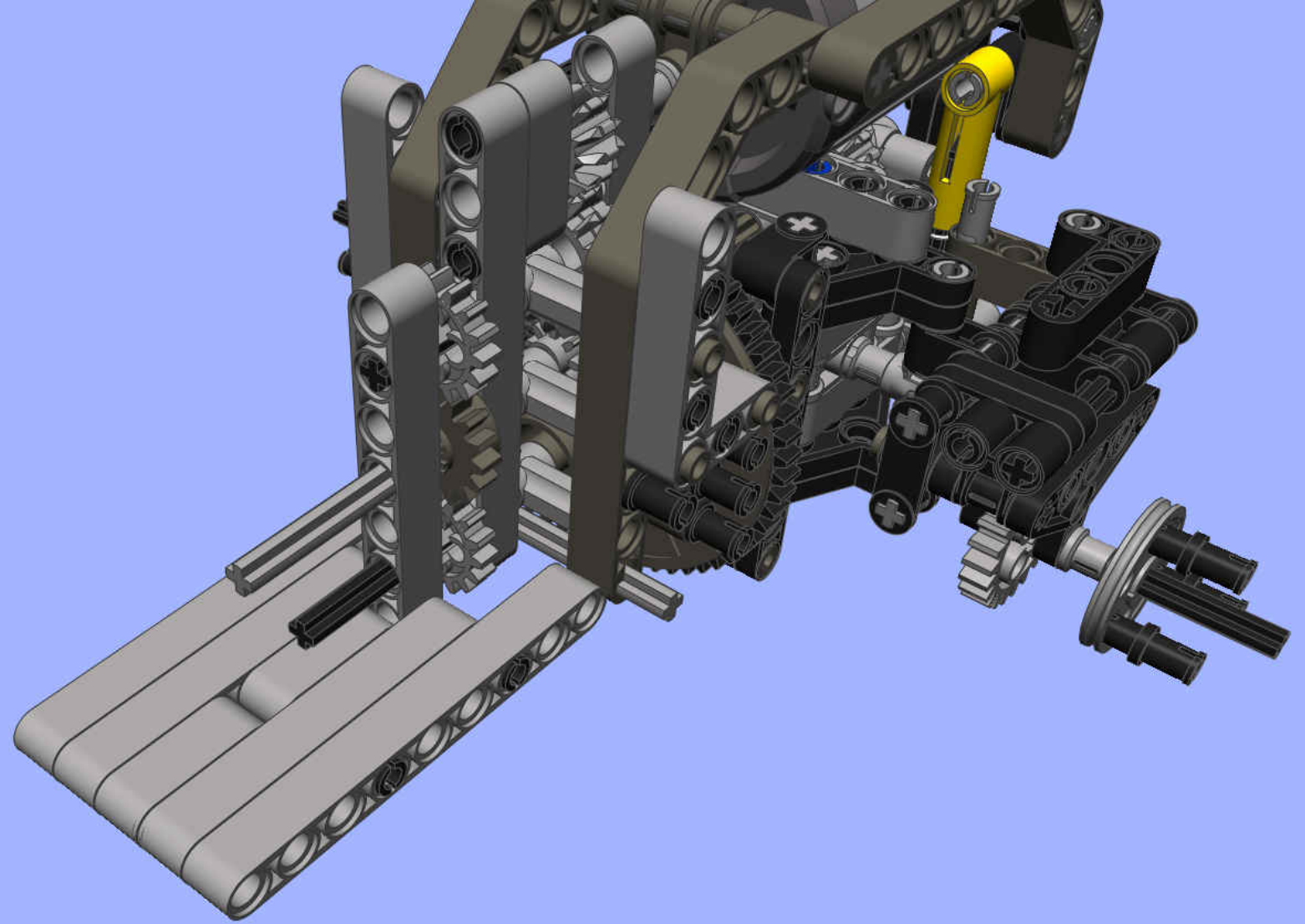


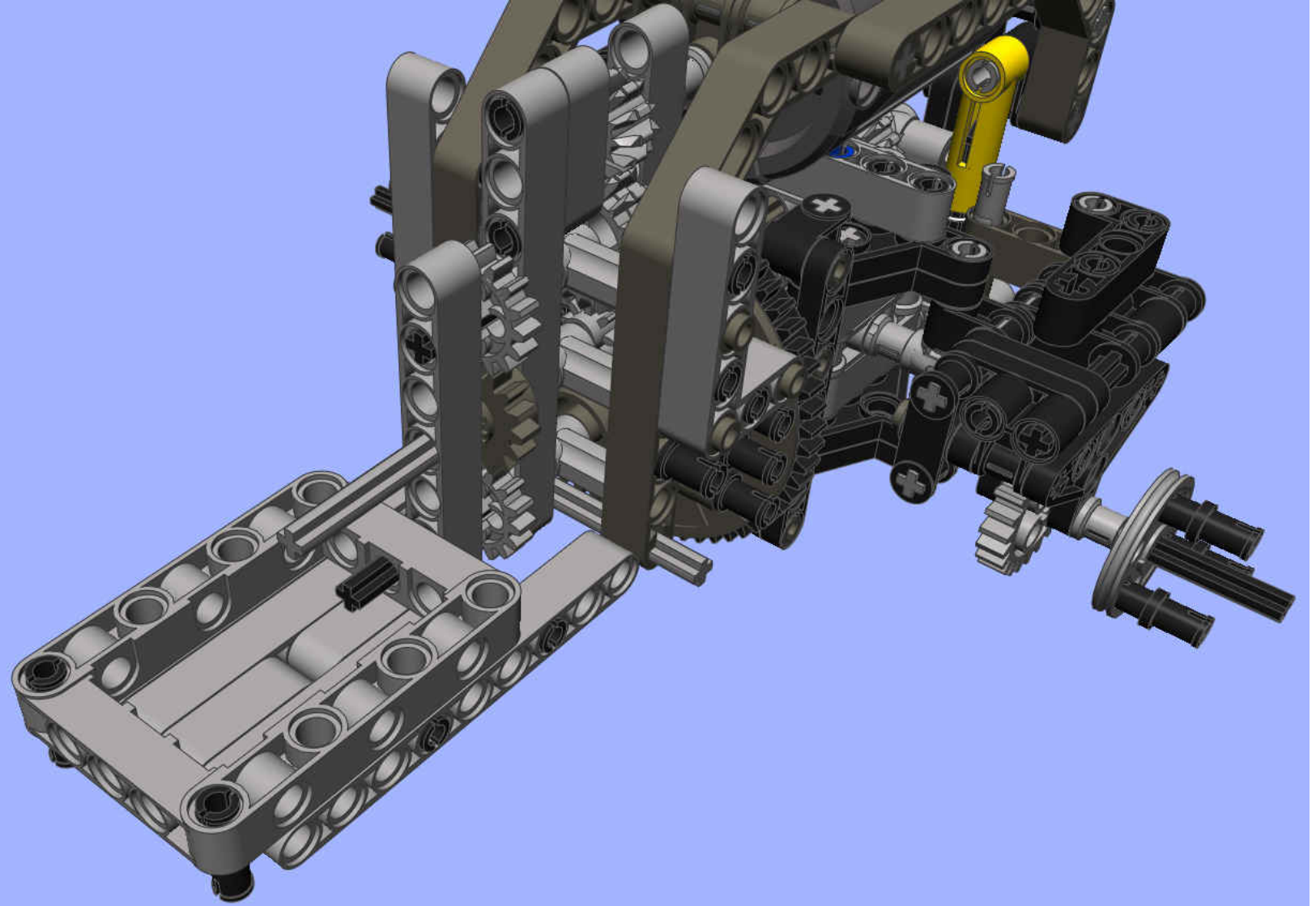


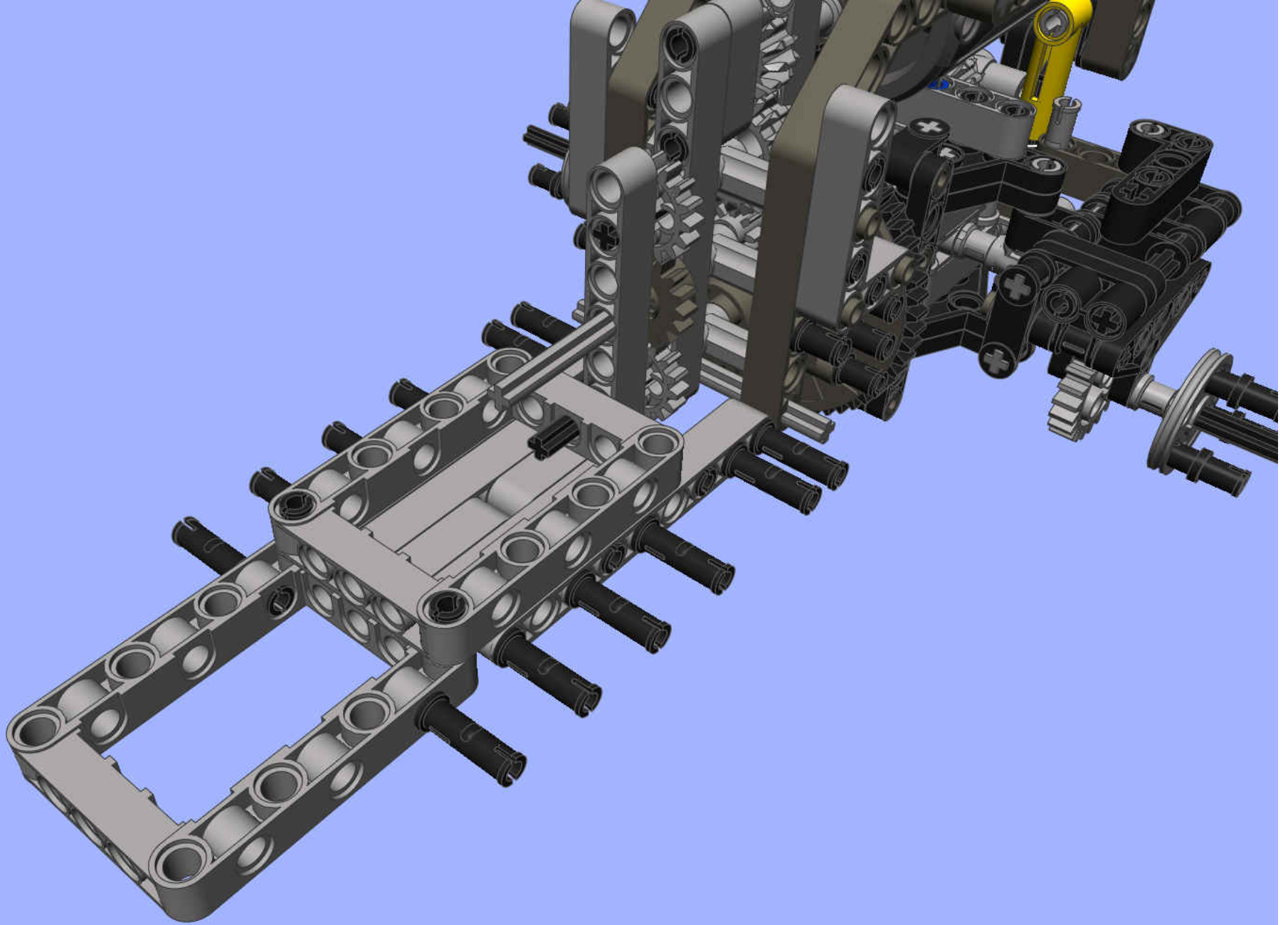


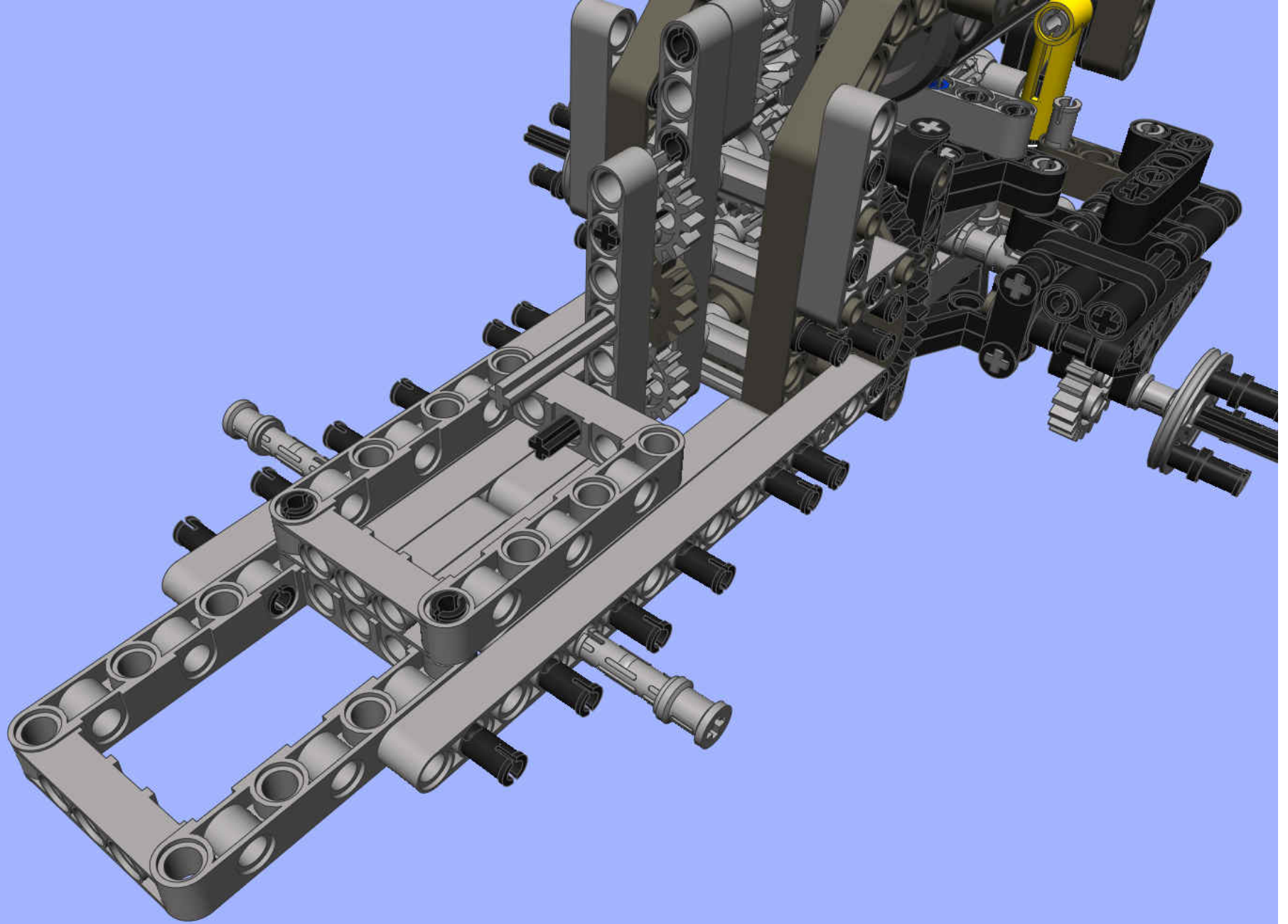


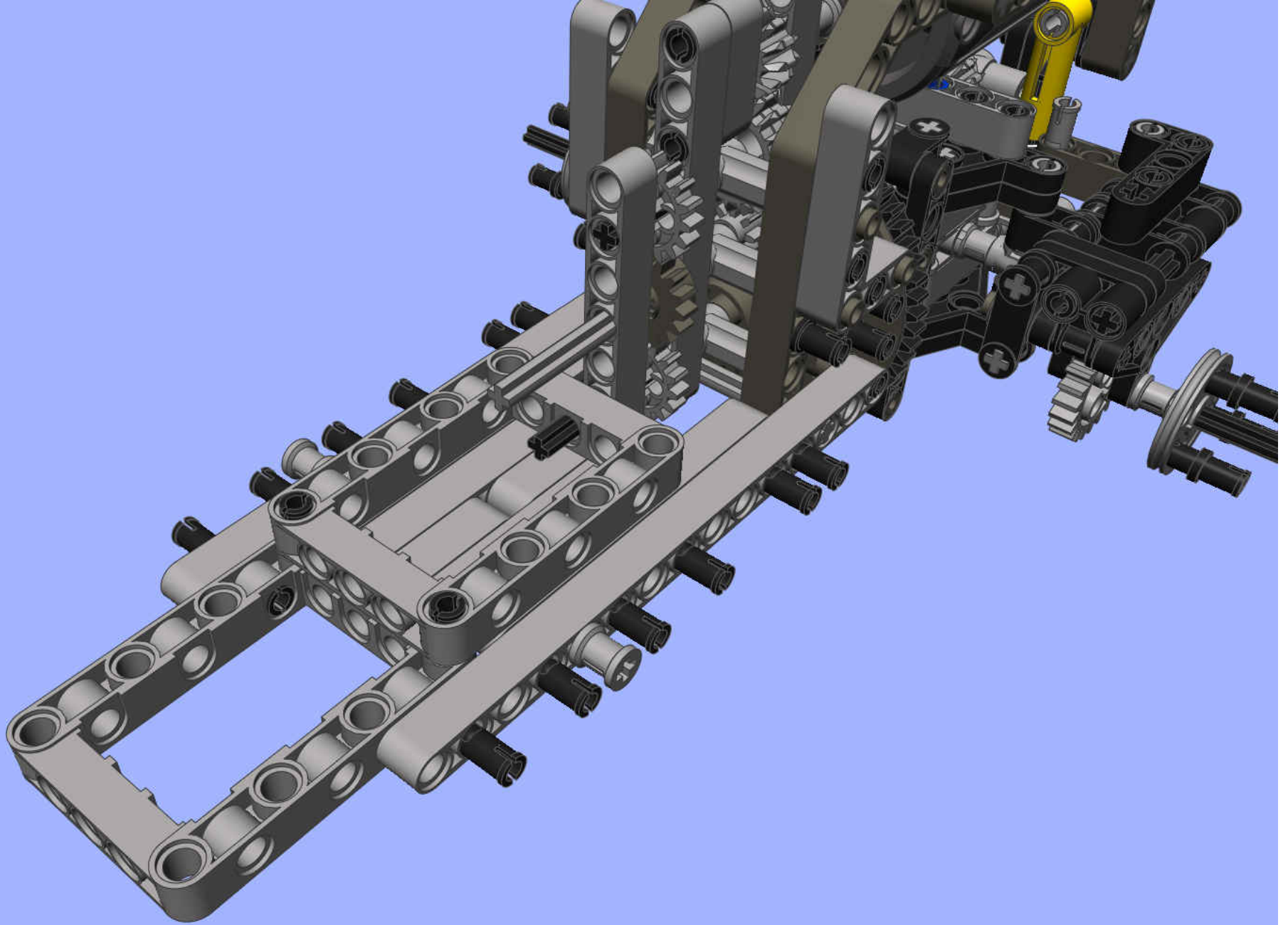


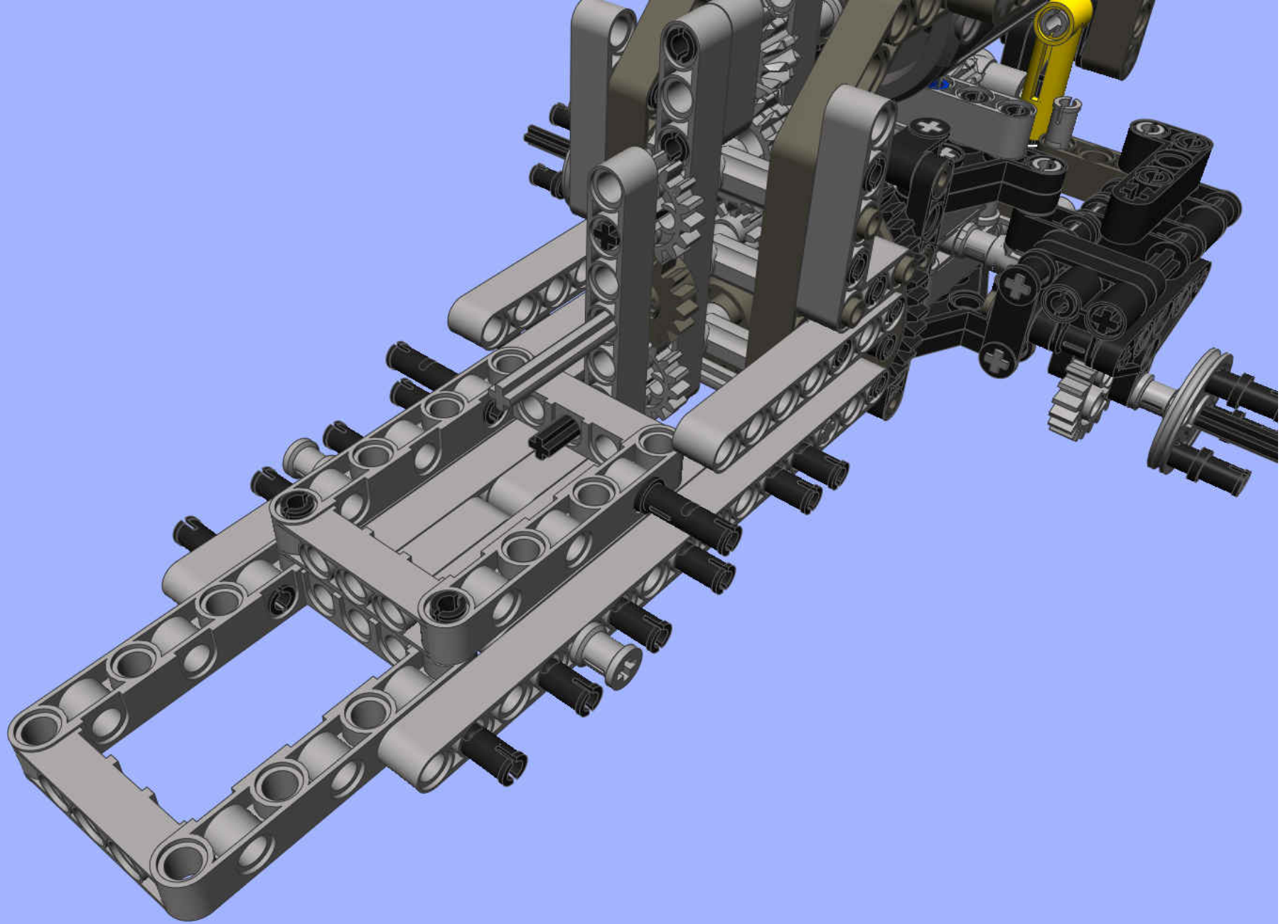


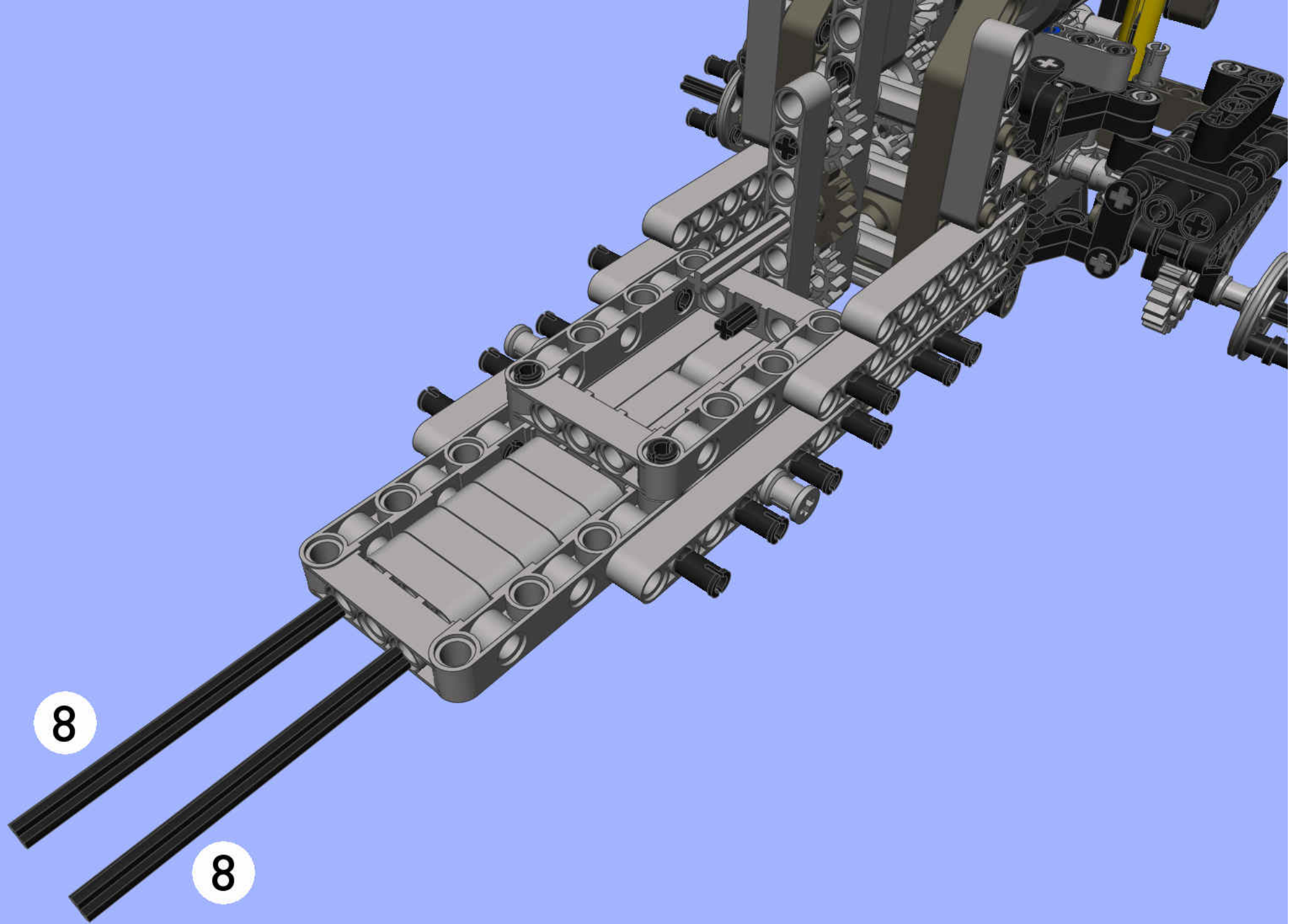


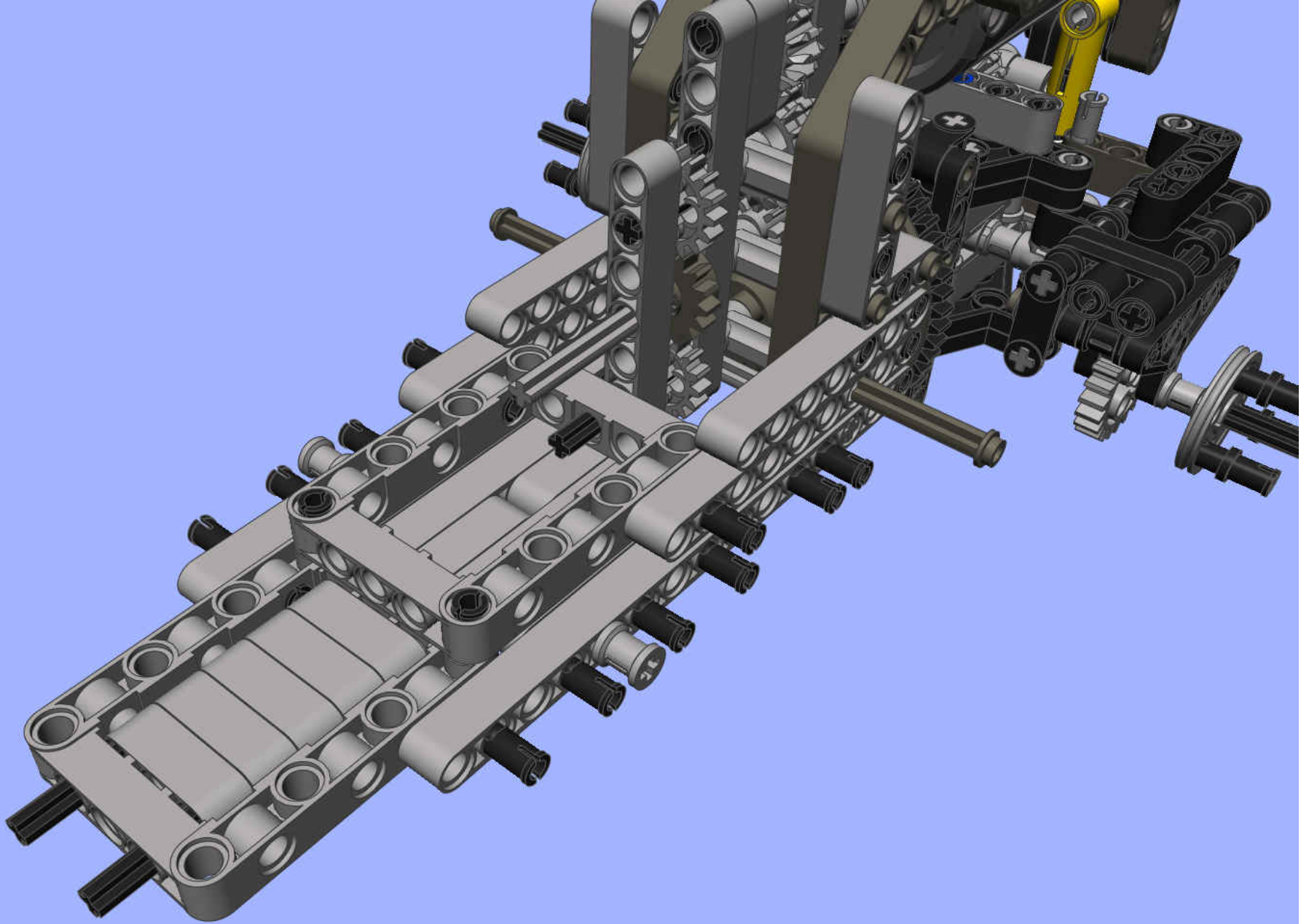


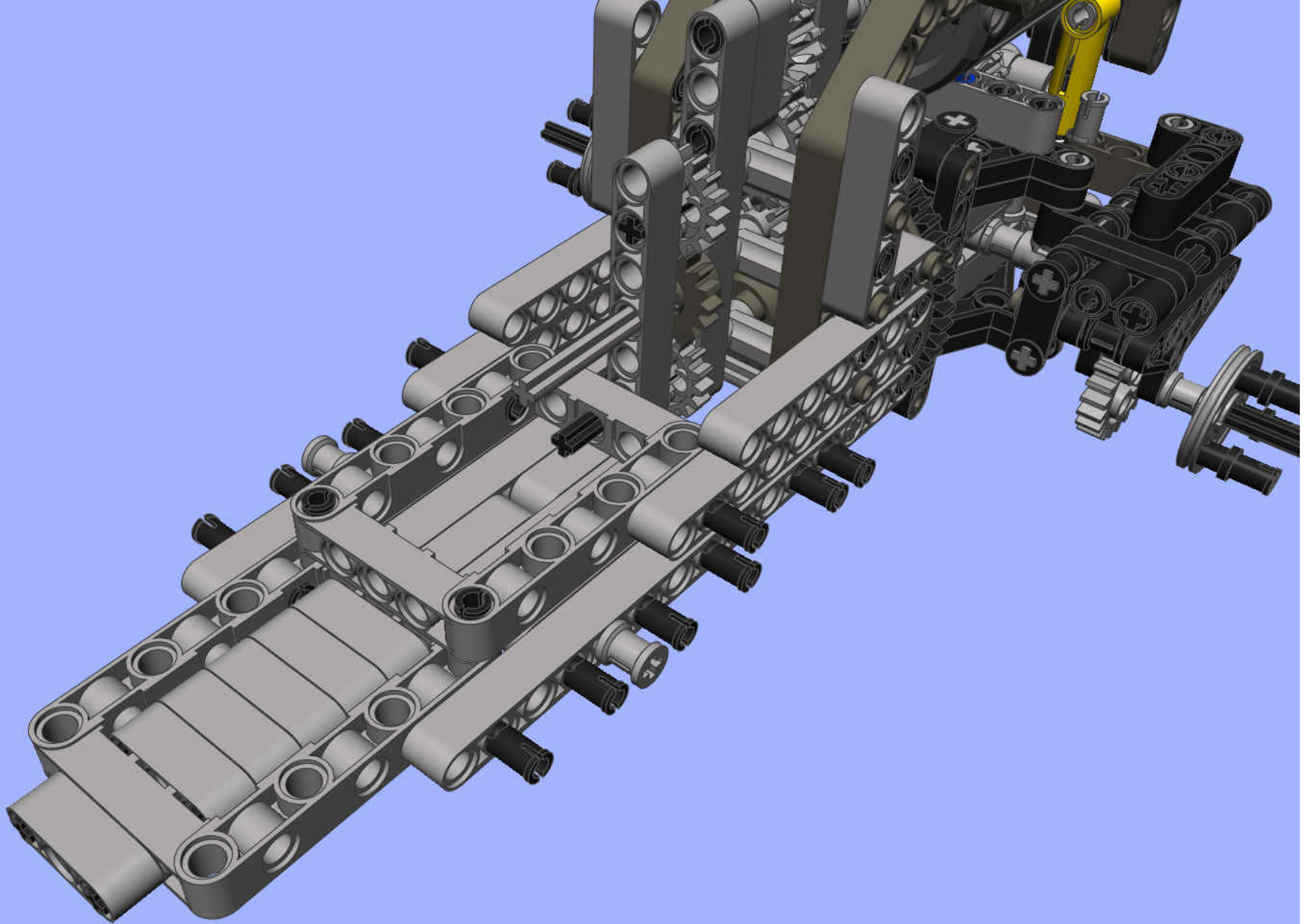


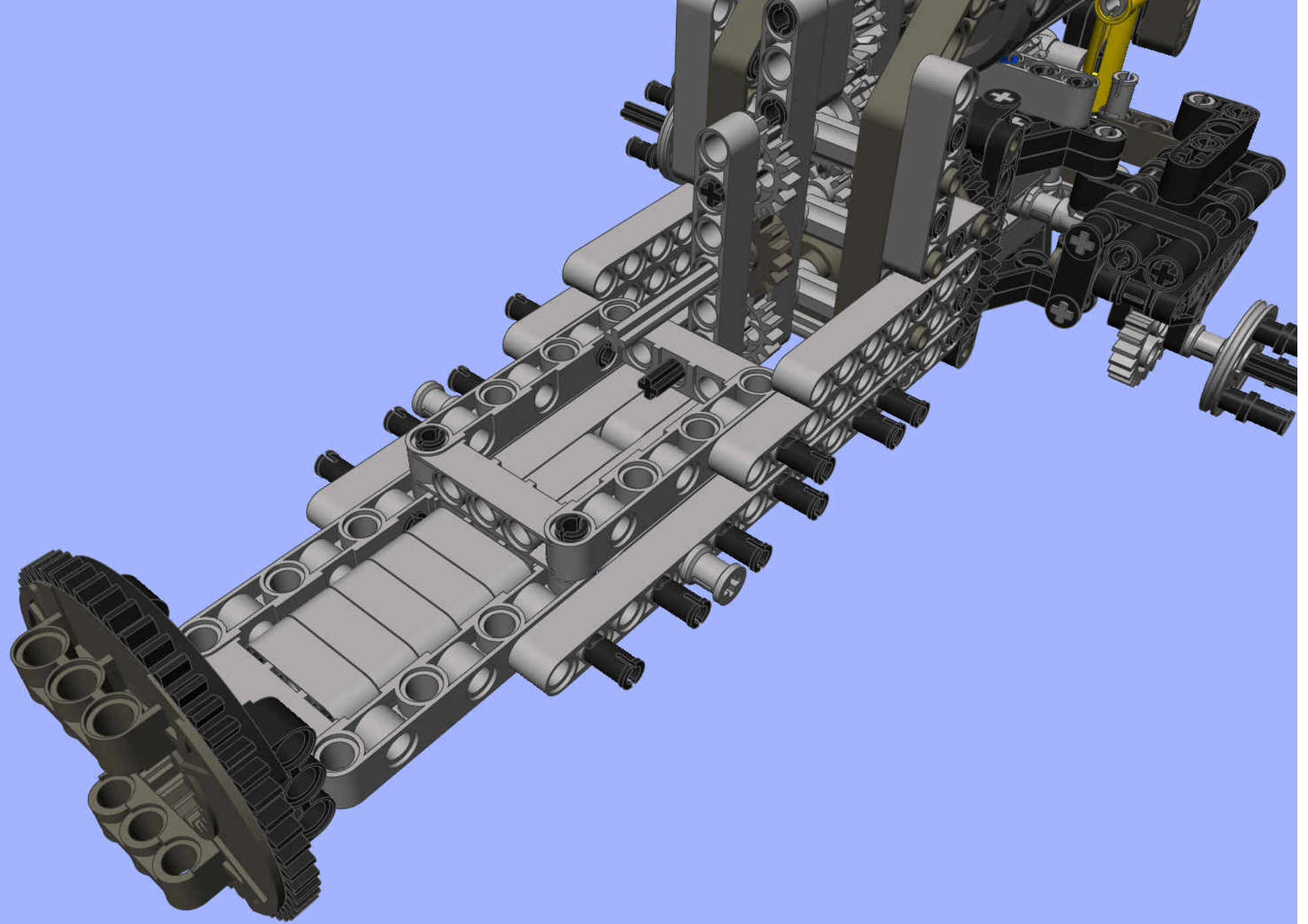


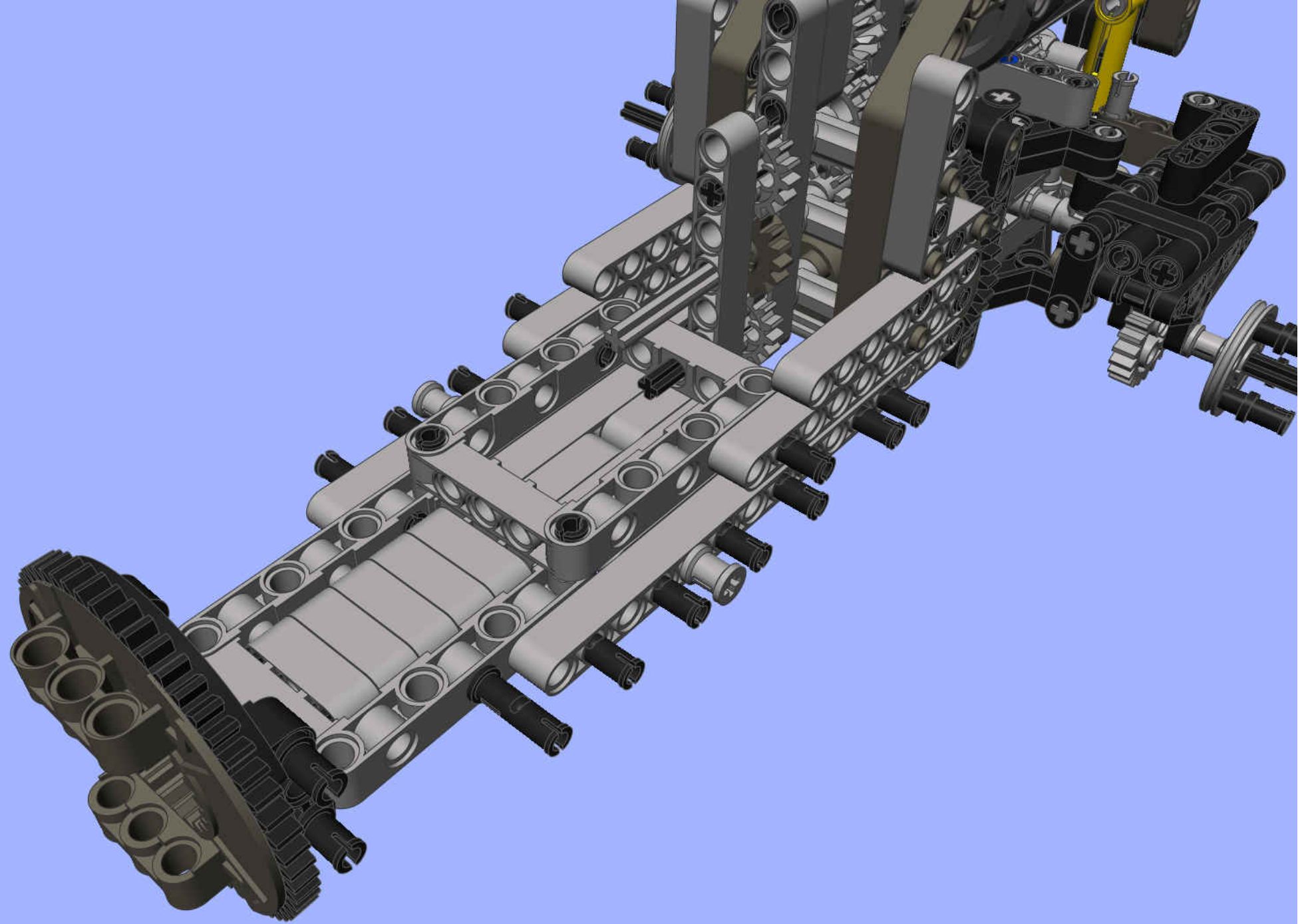


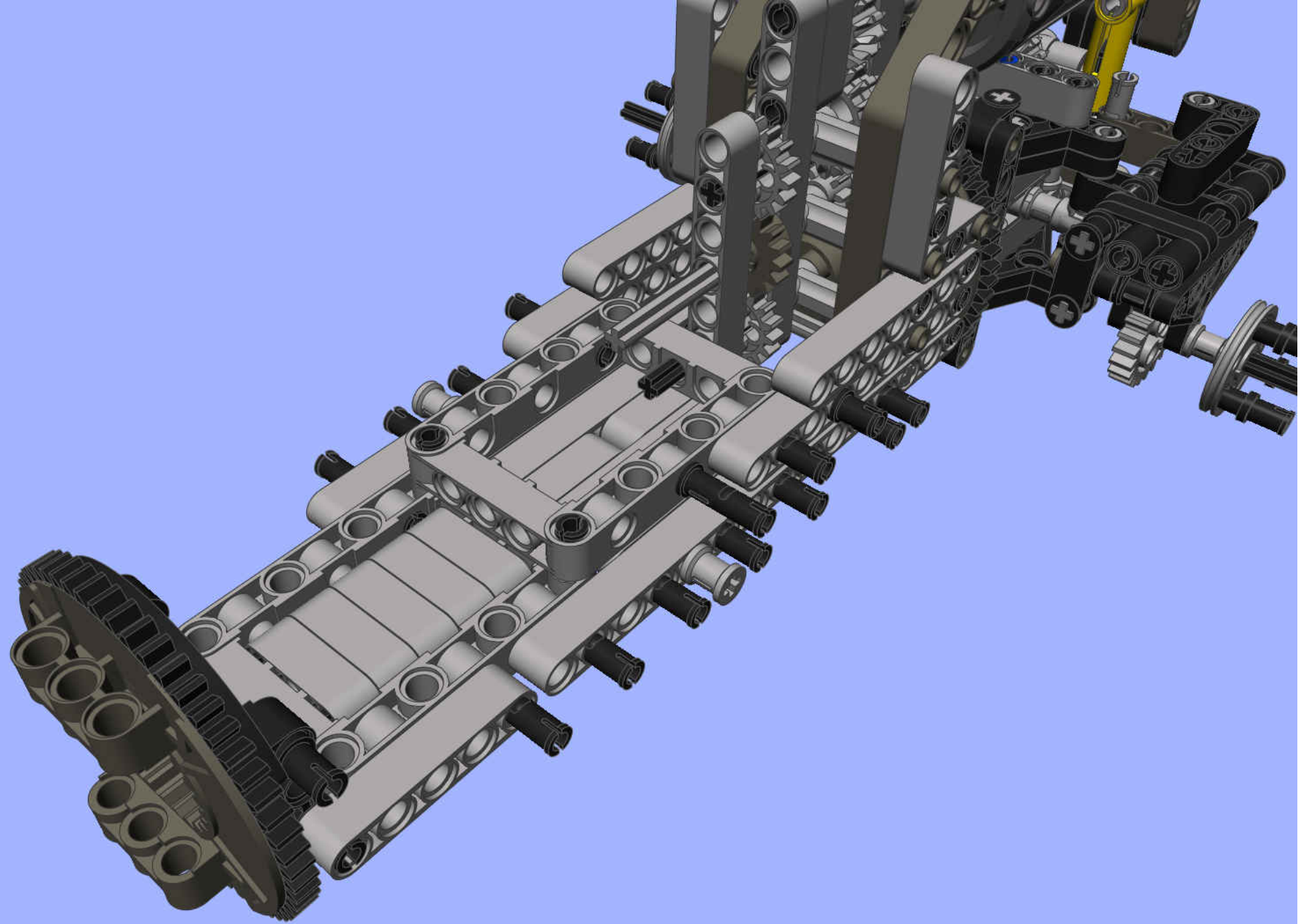


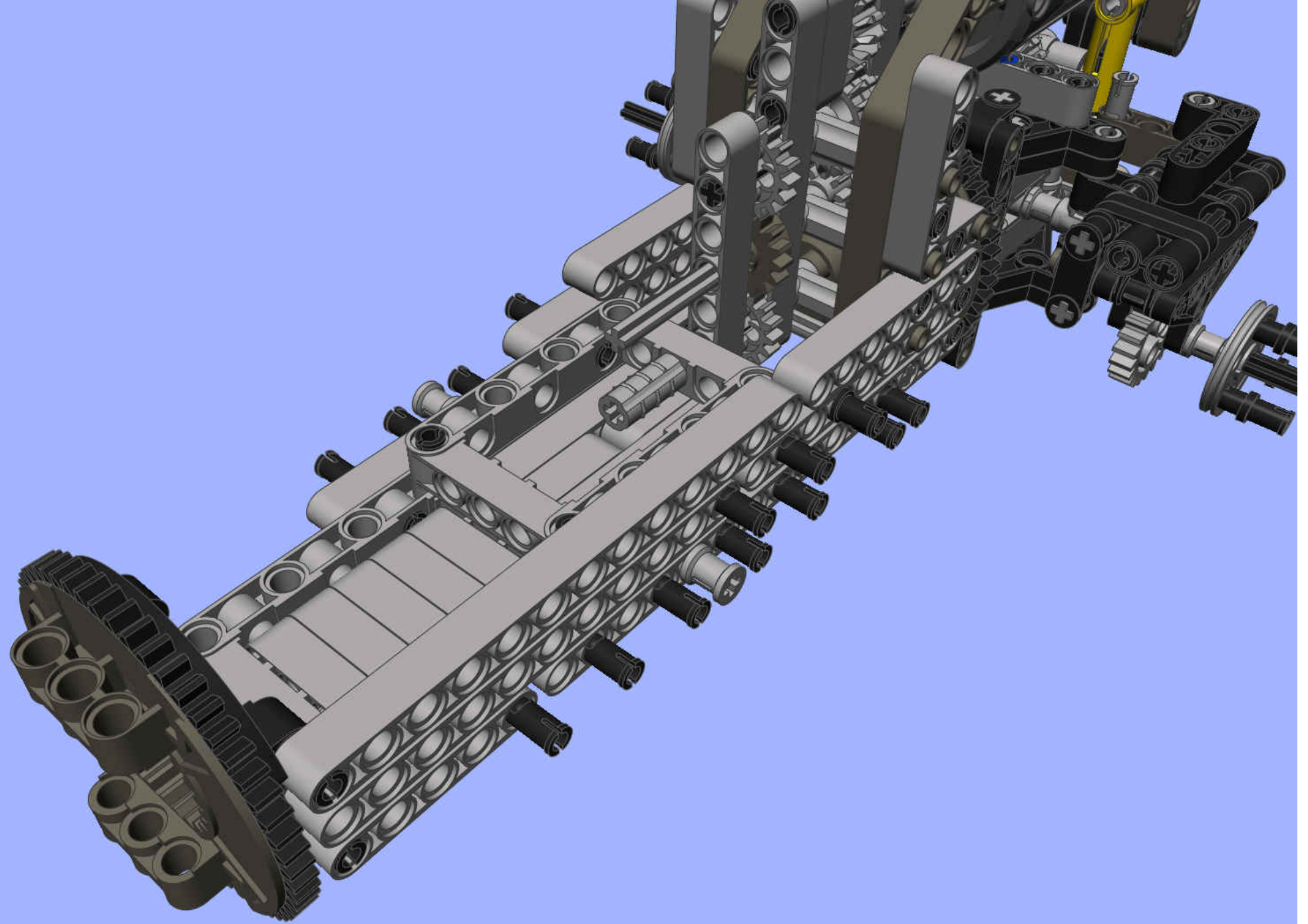


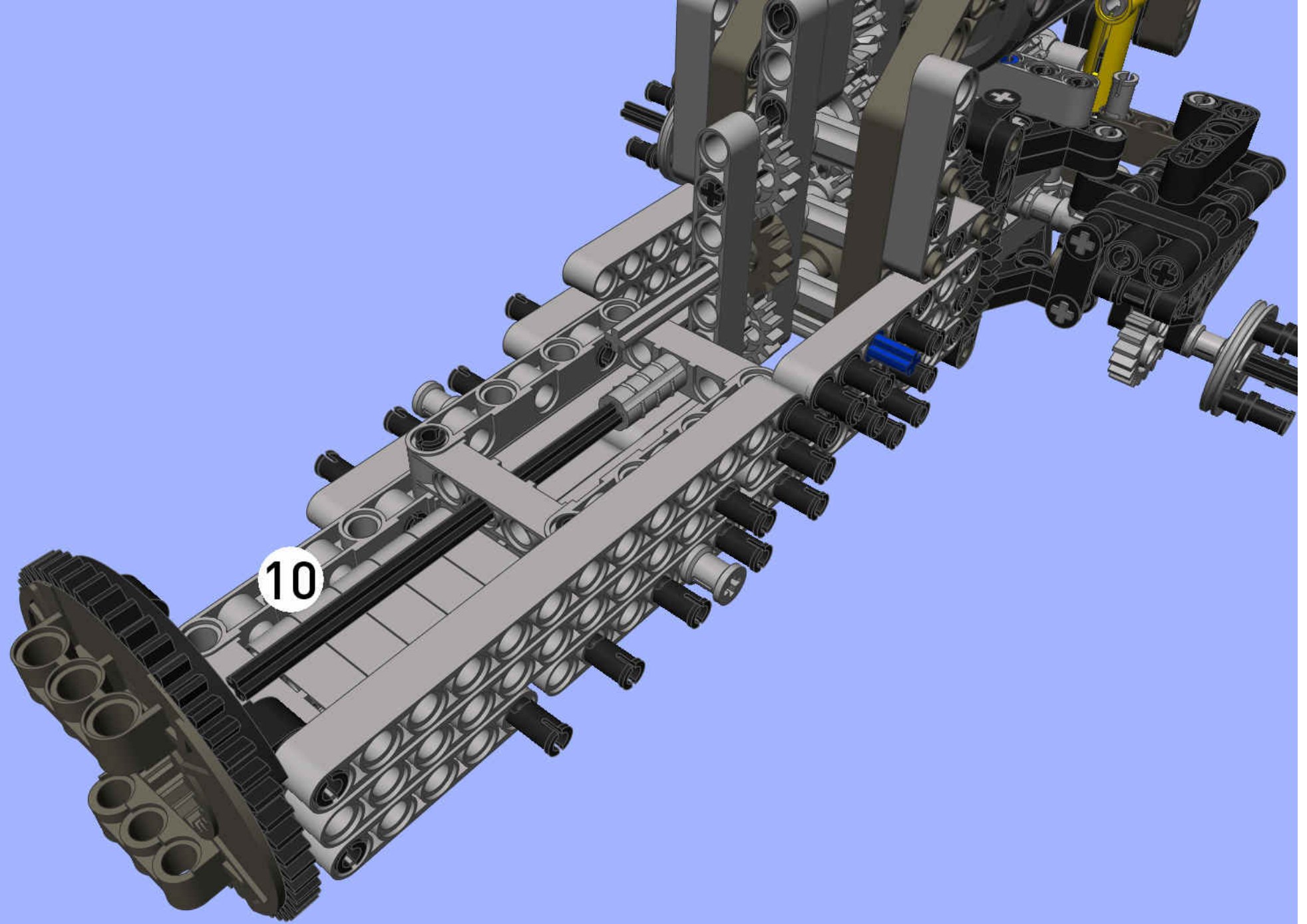




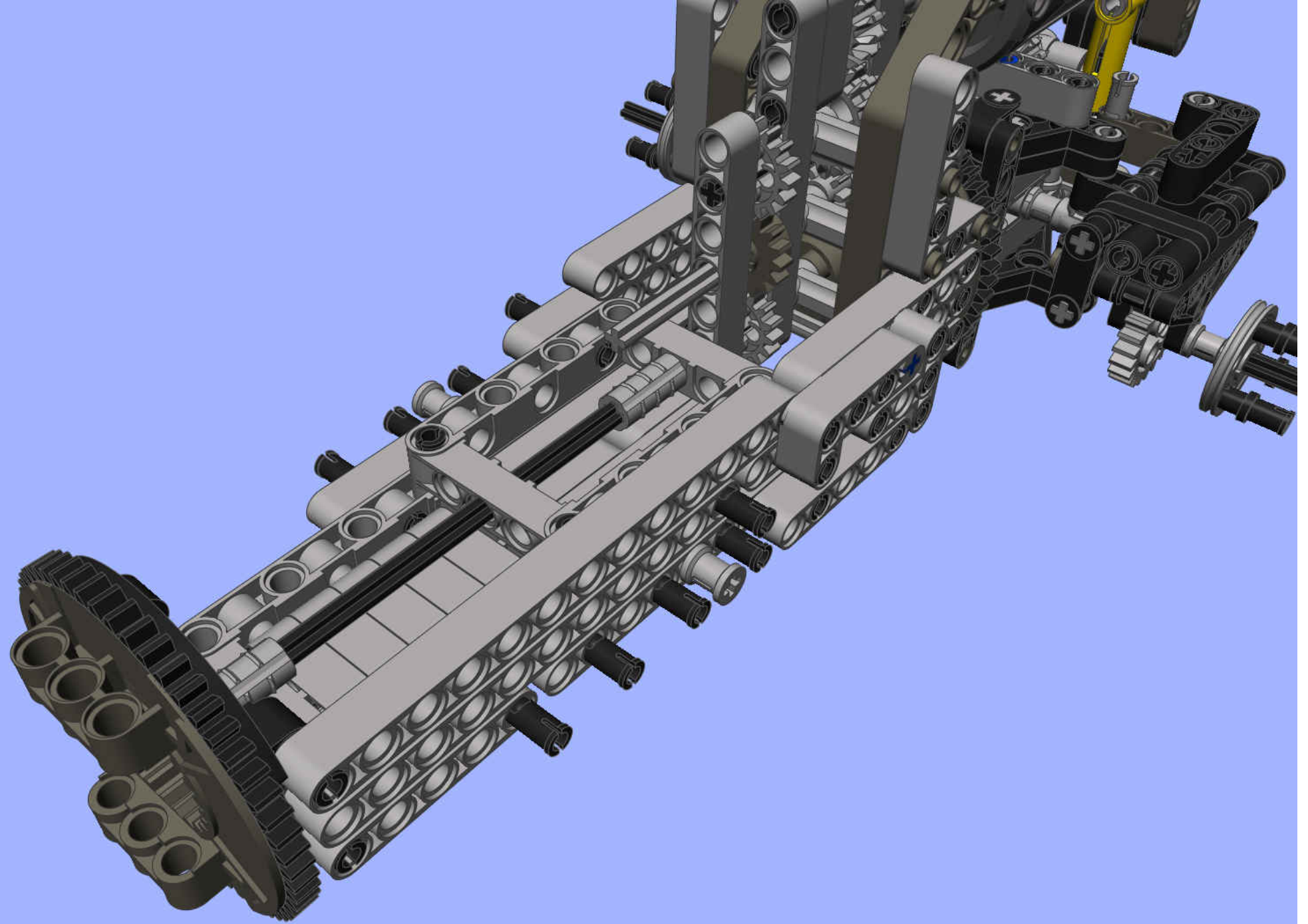


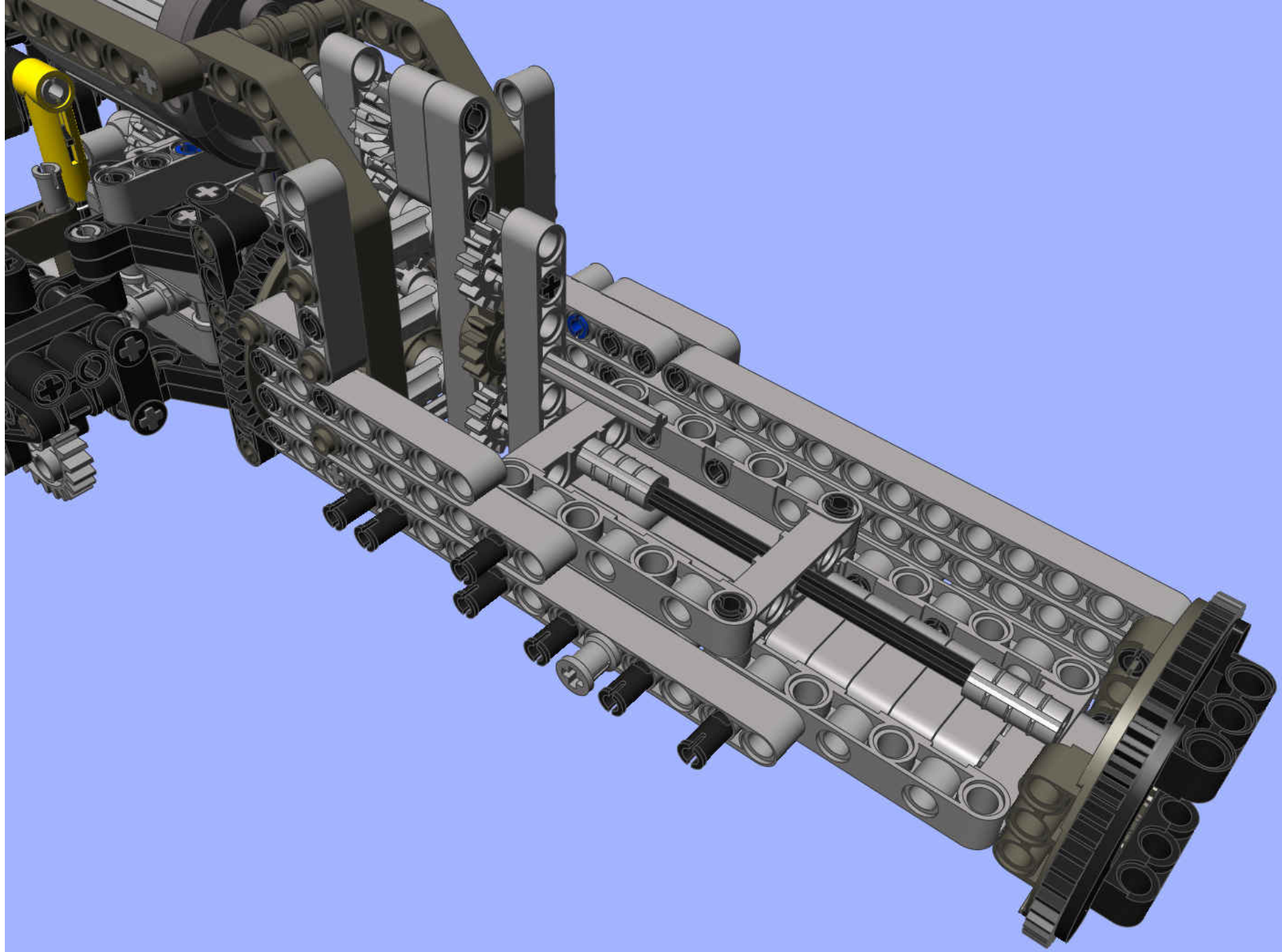


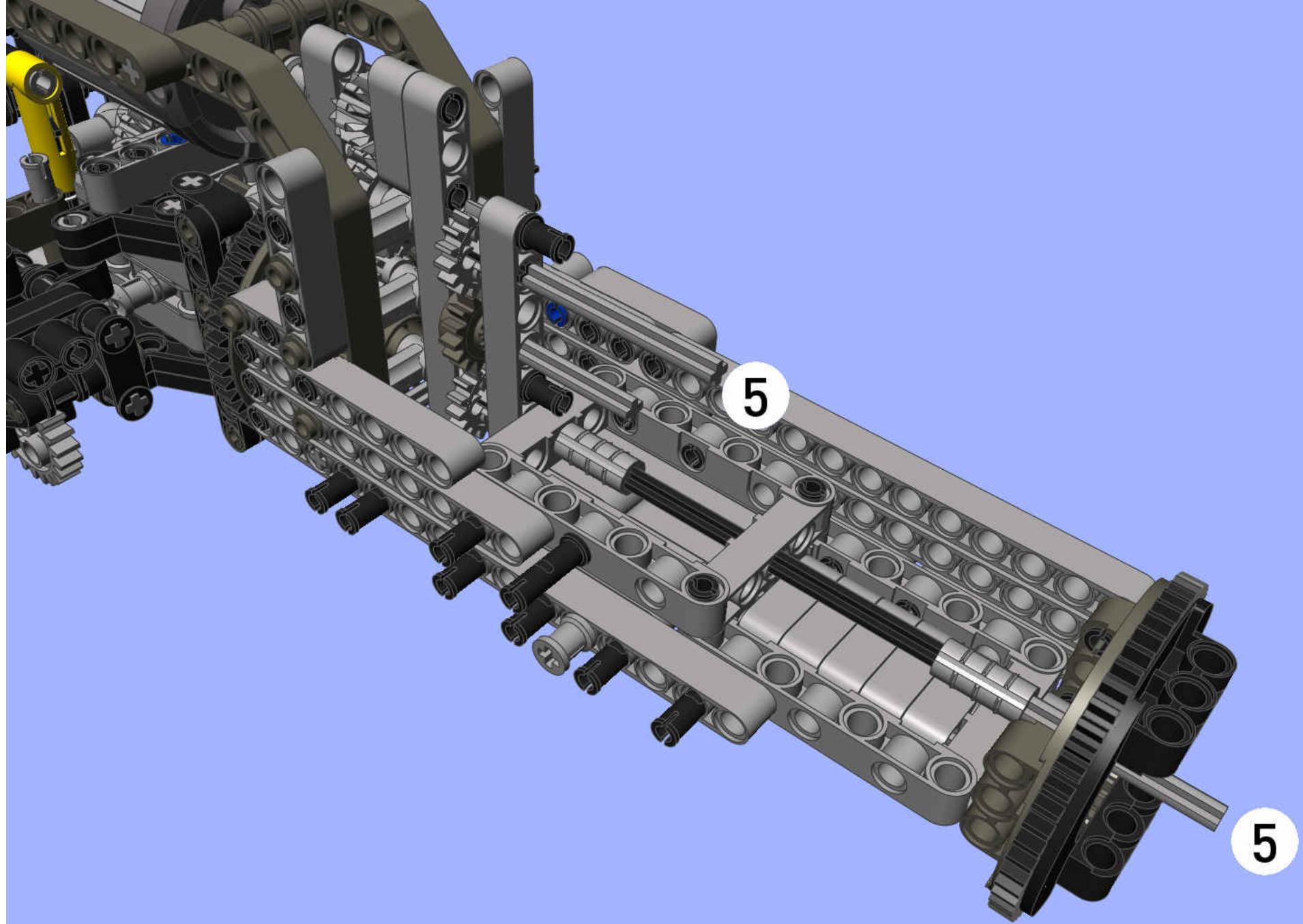


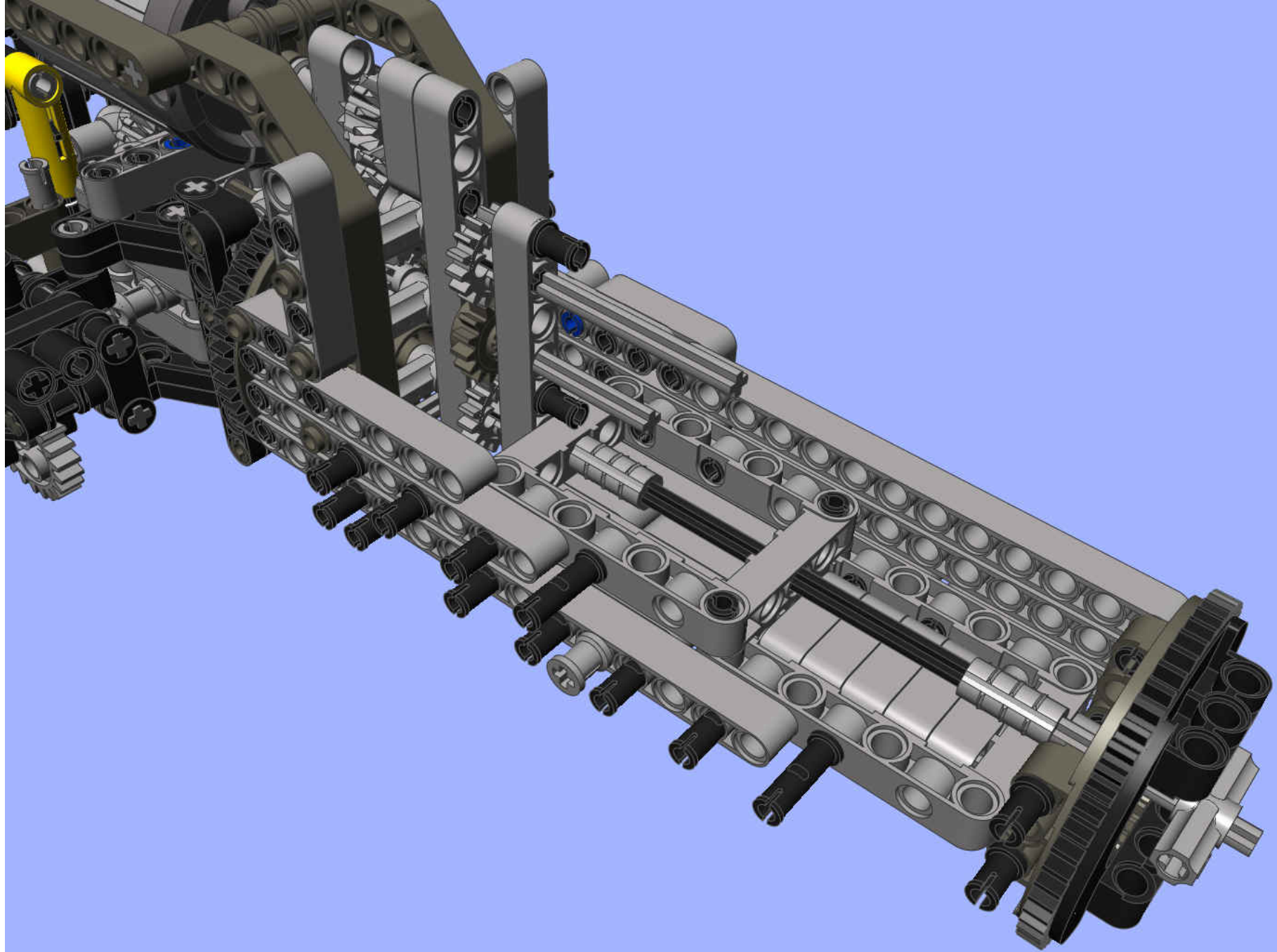


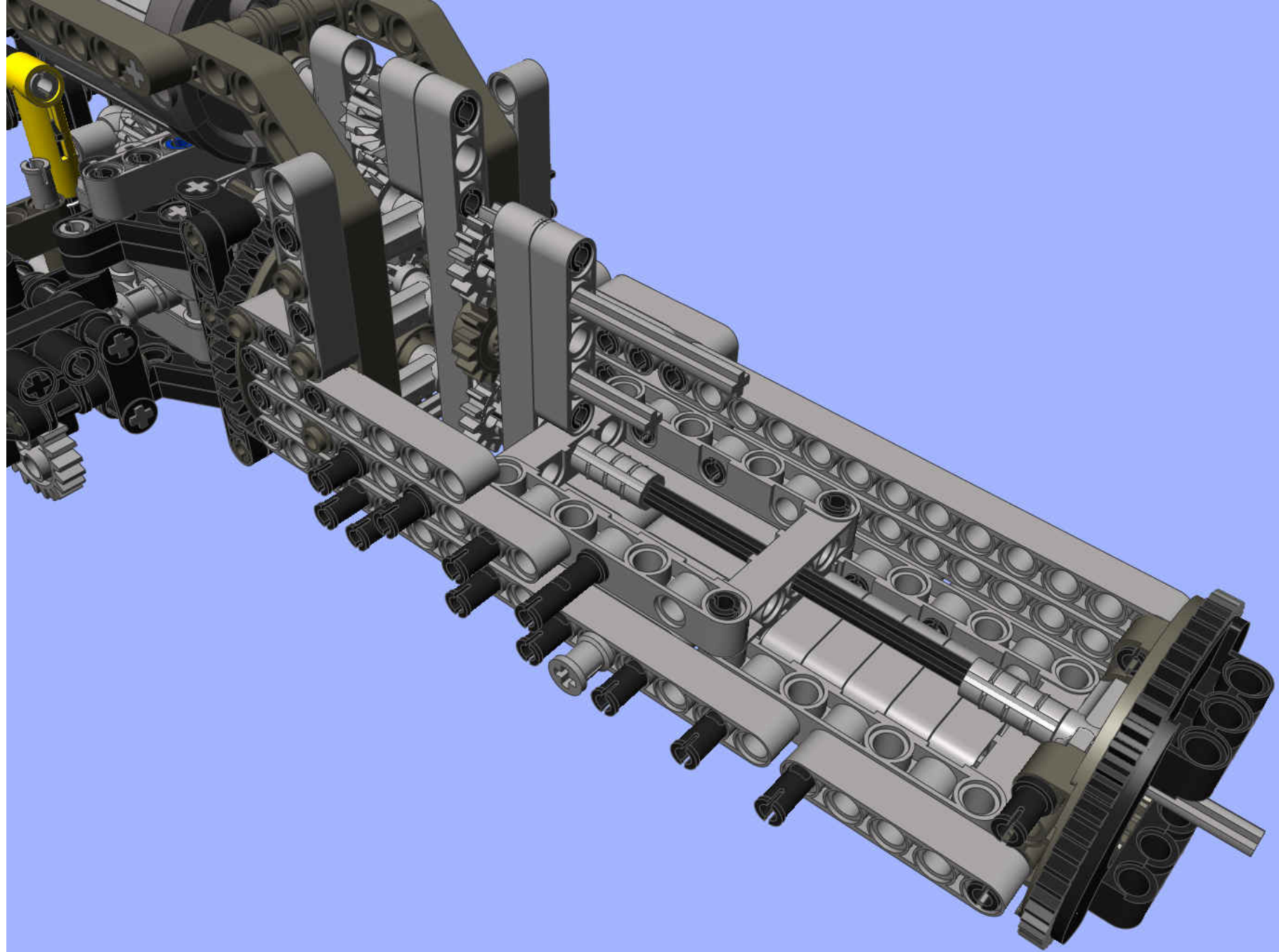
10

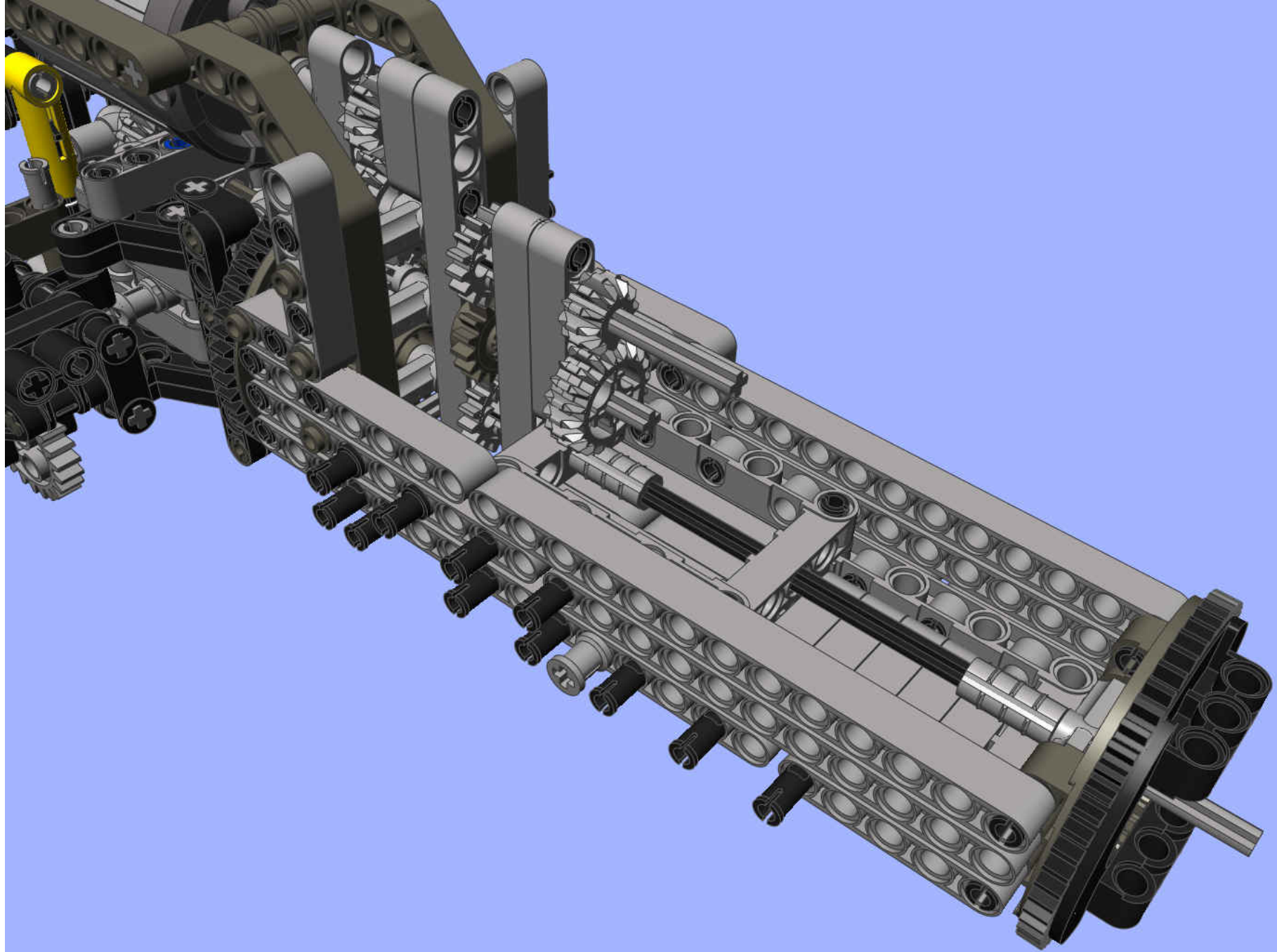


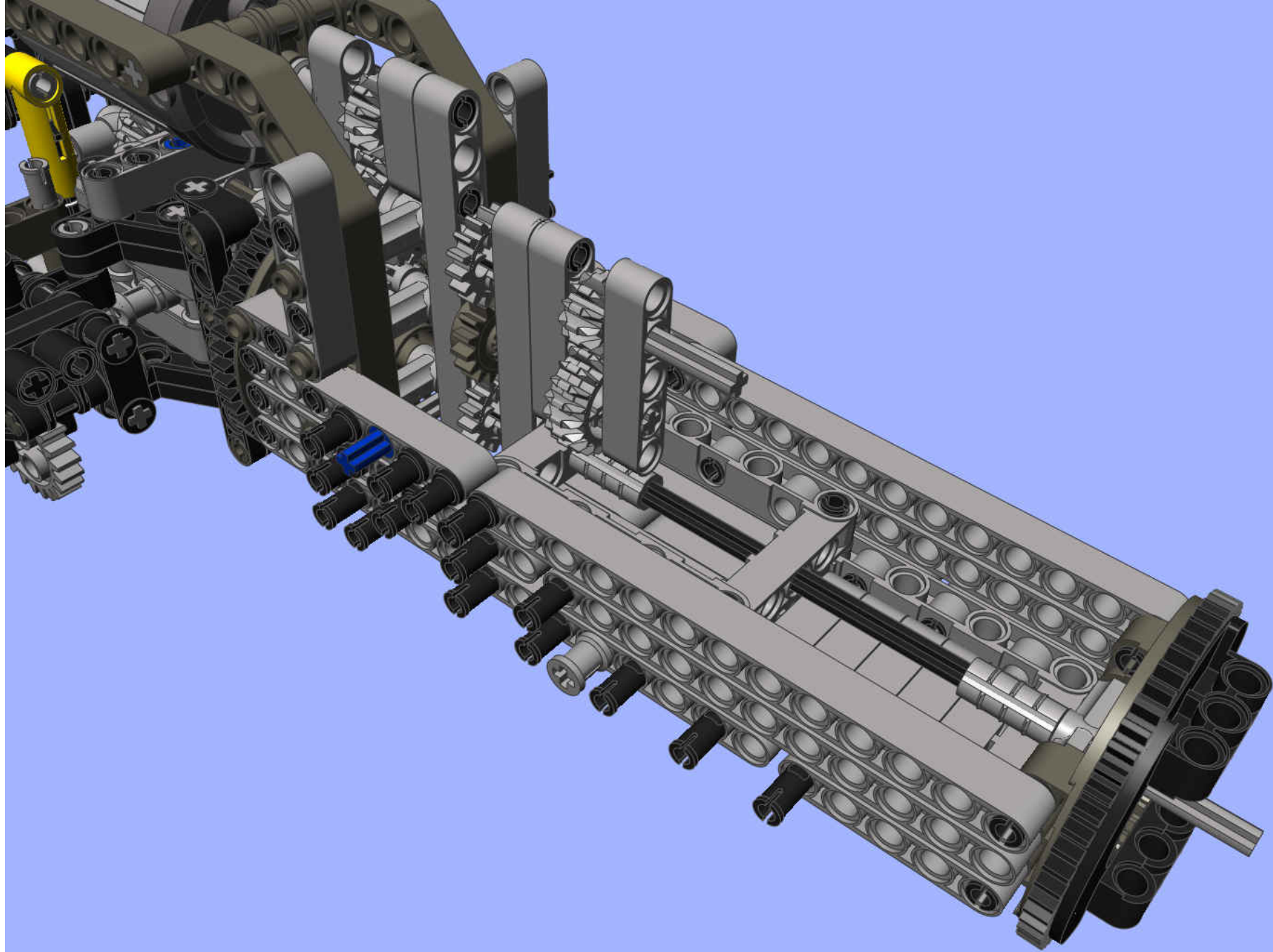


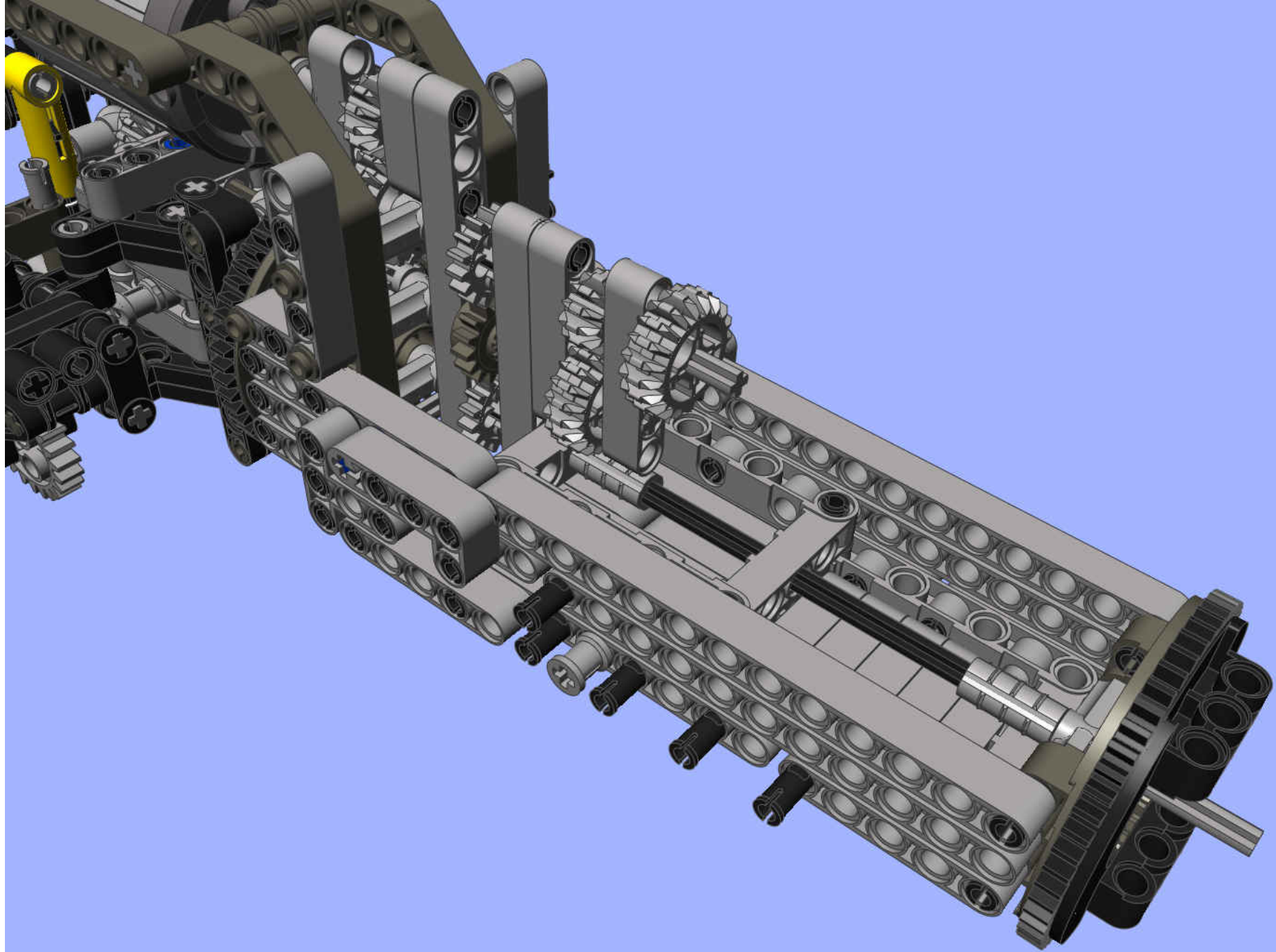


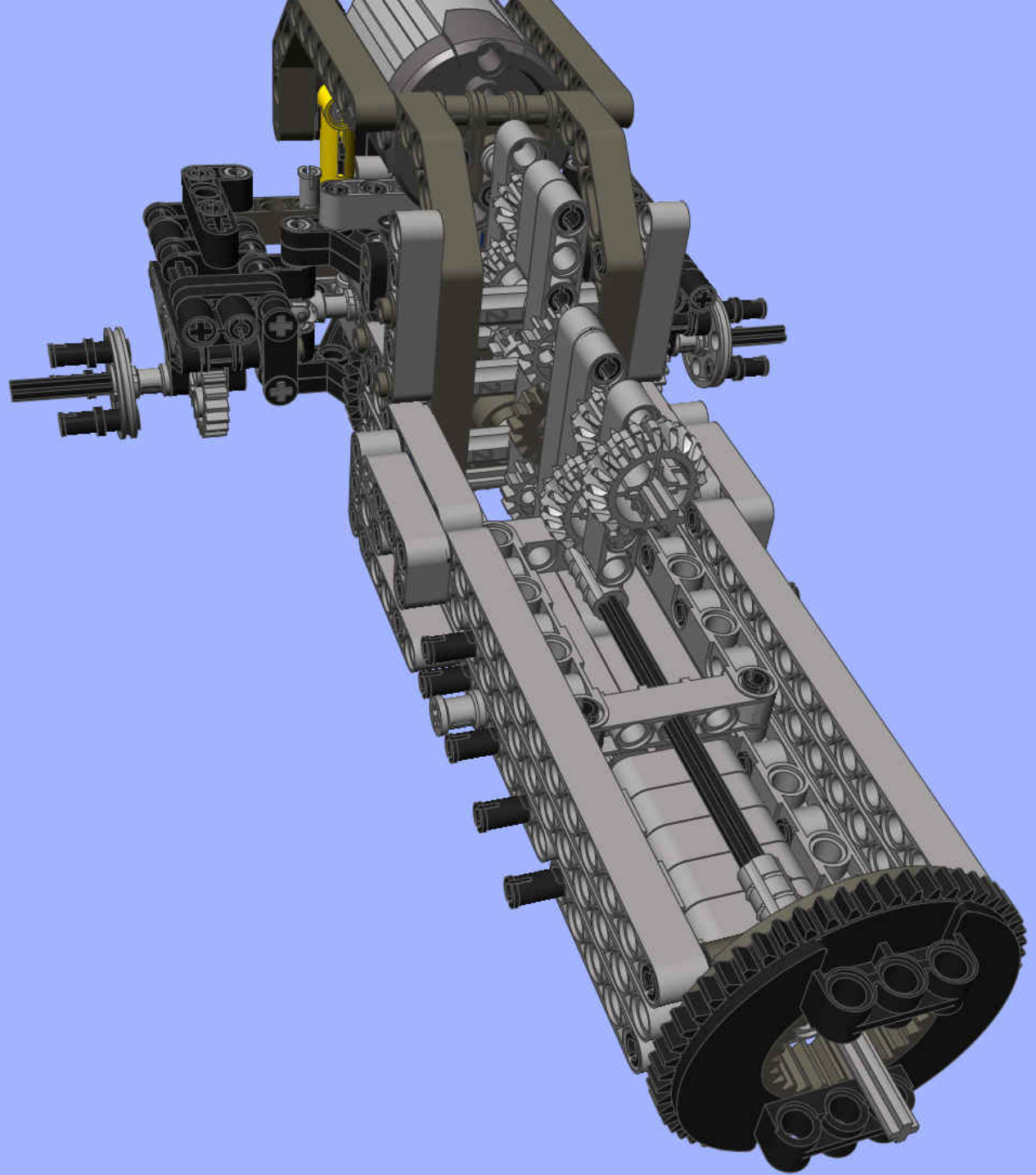


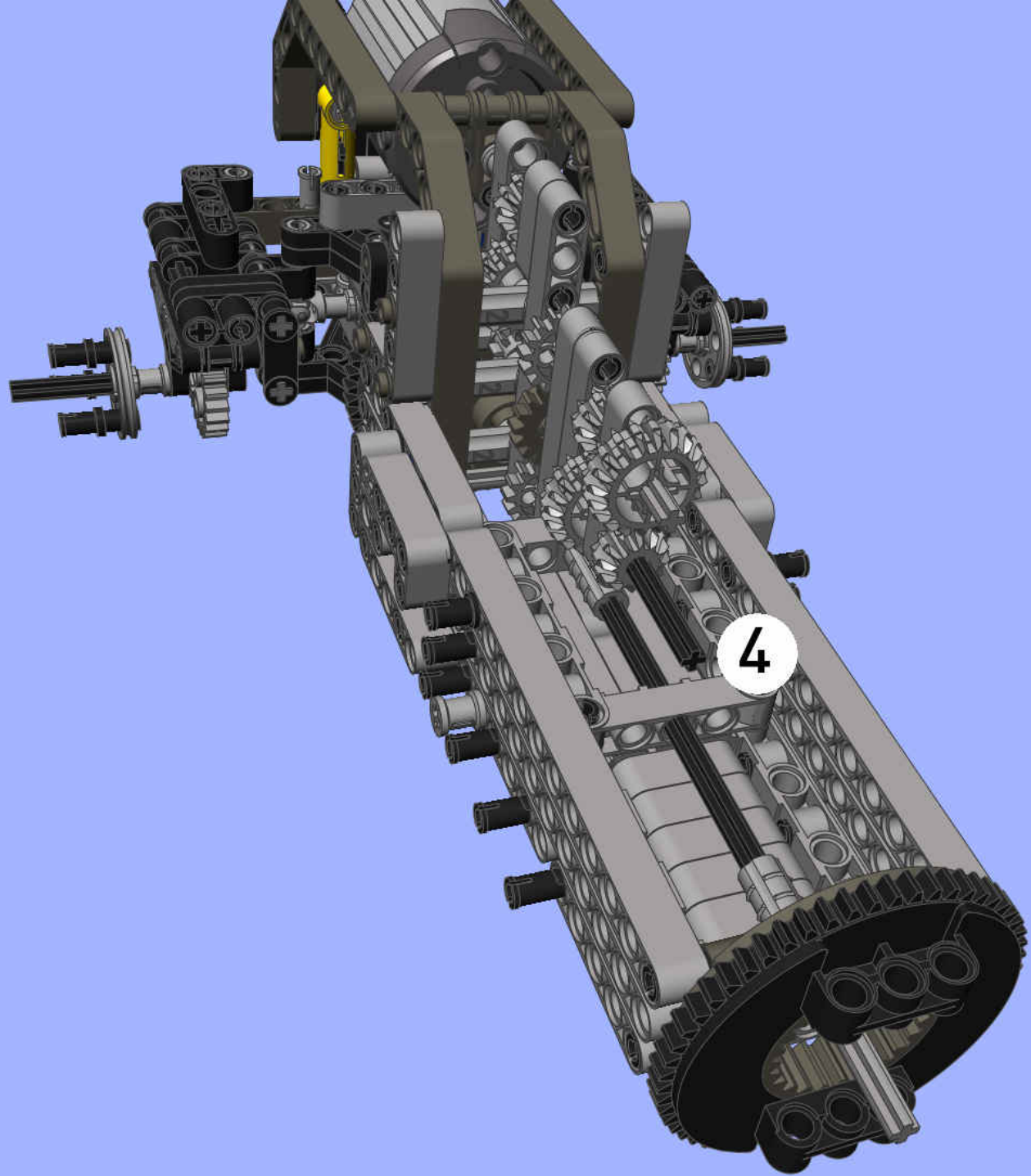












4

