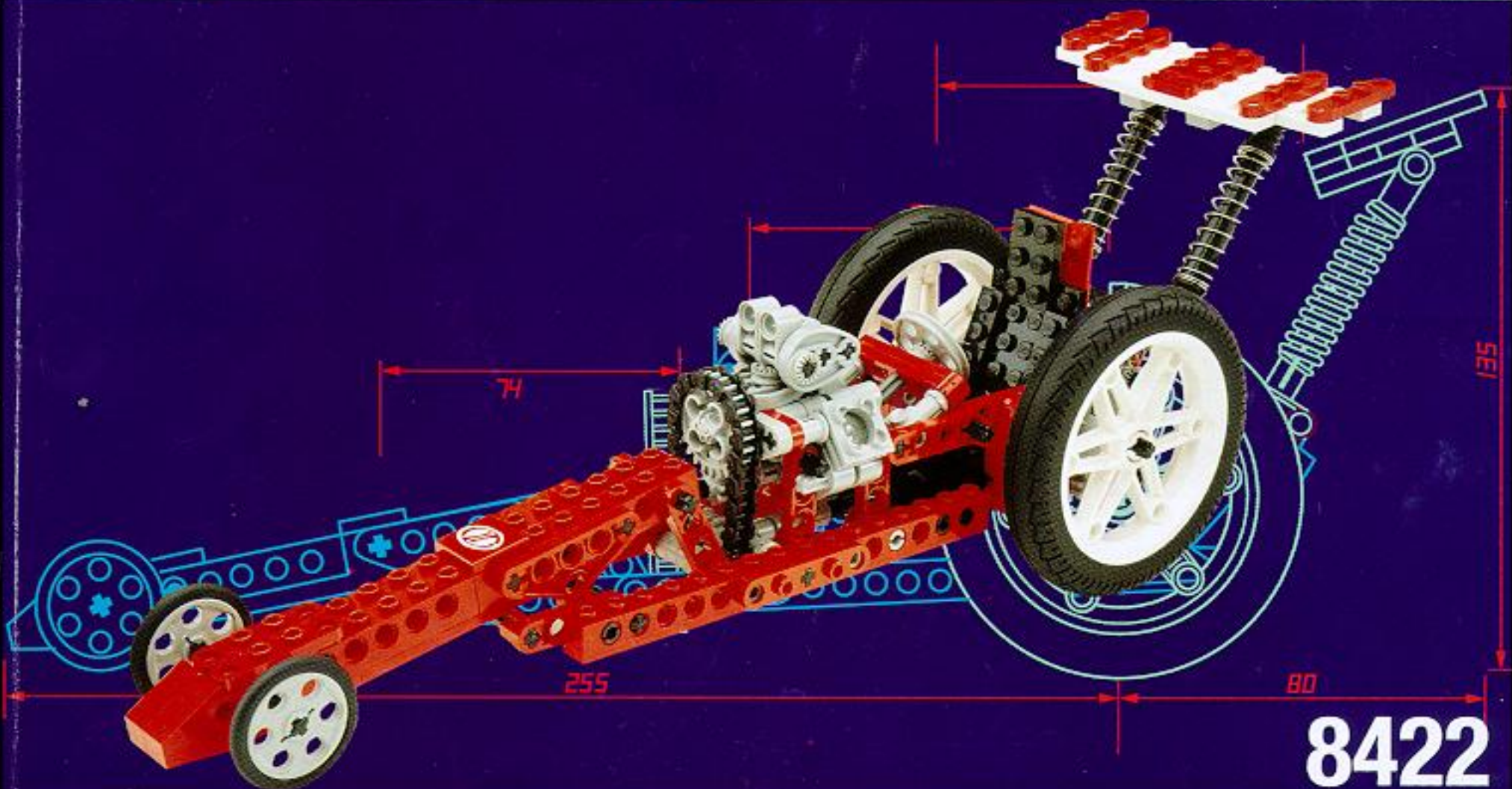
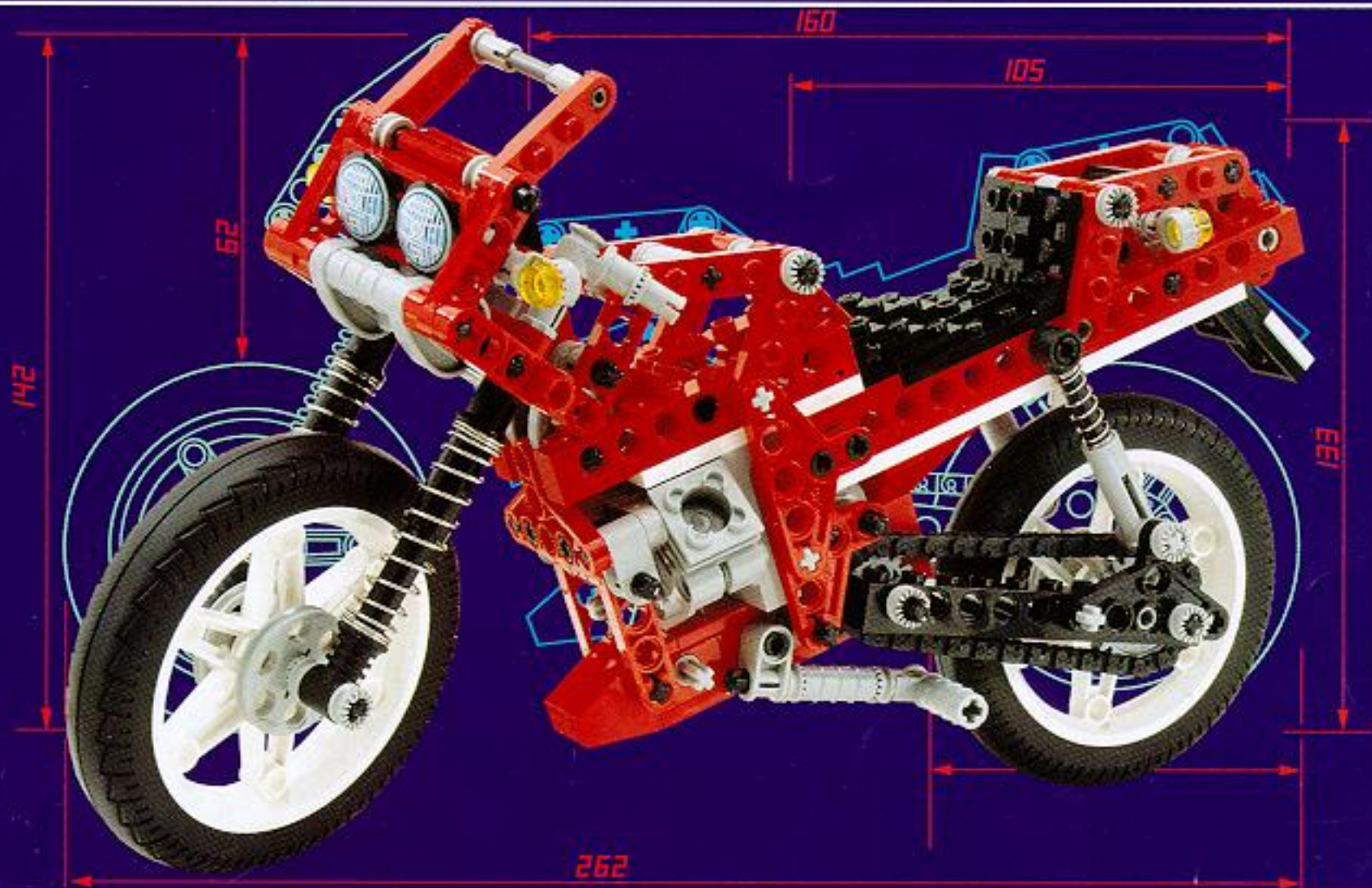
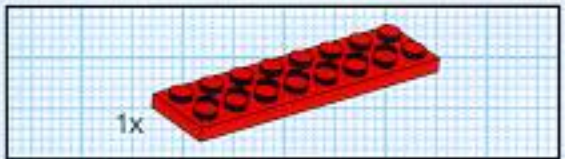
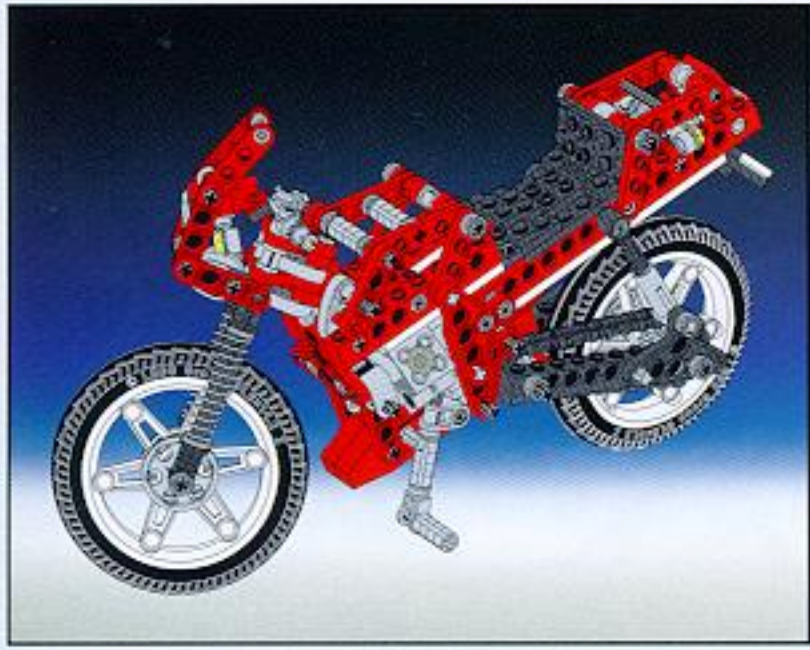
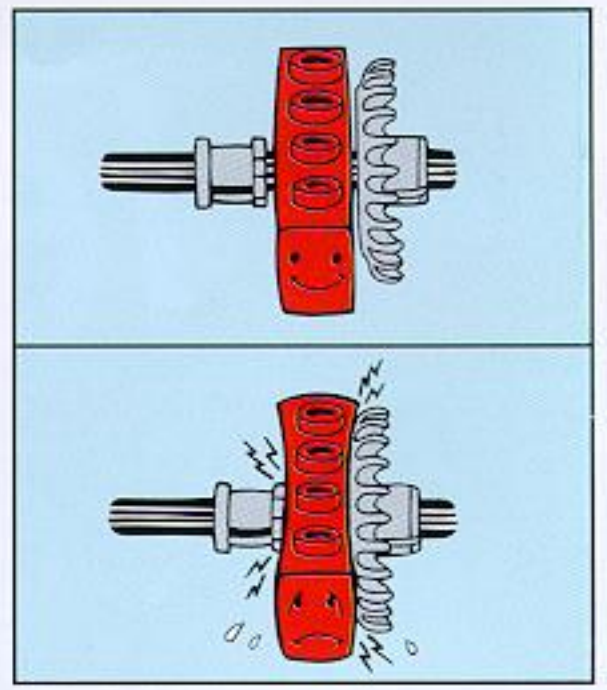
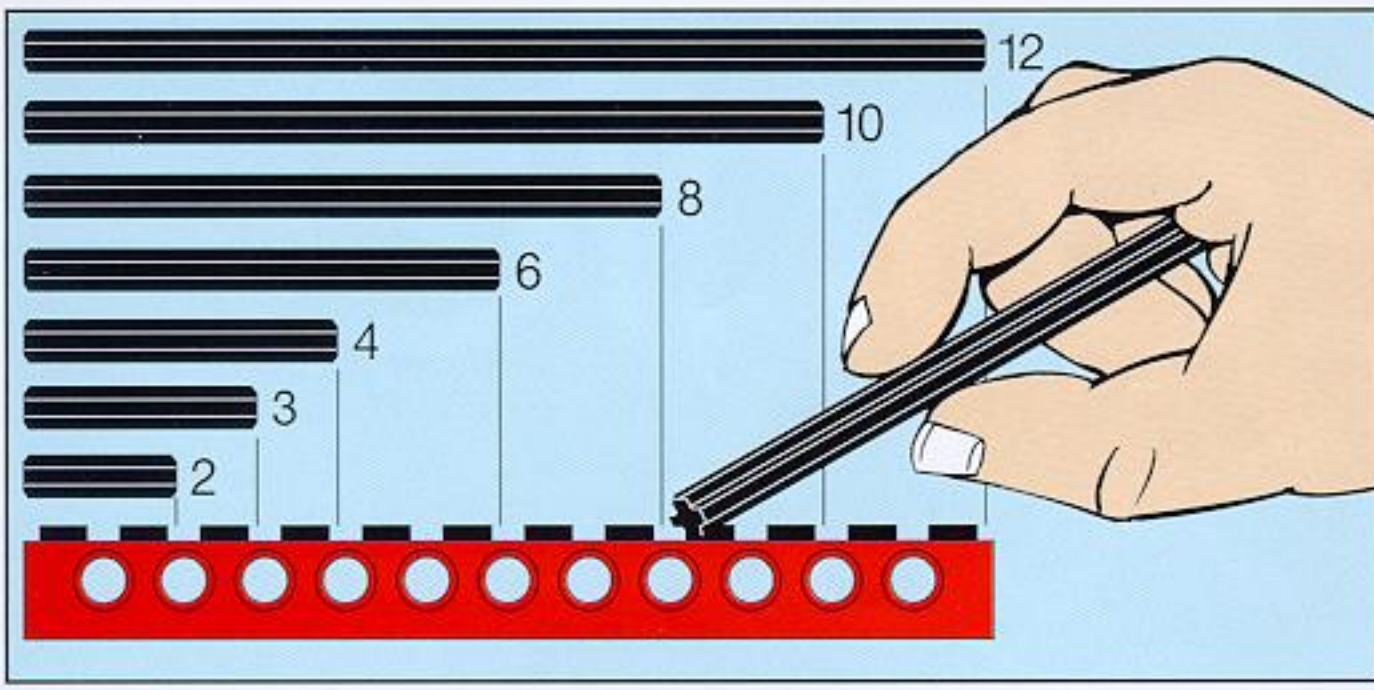




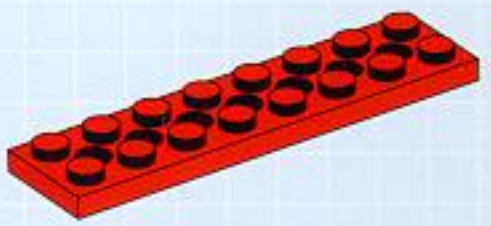
Technic



8422

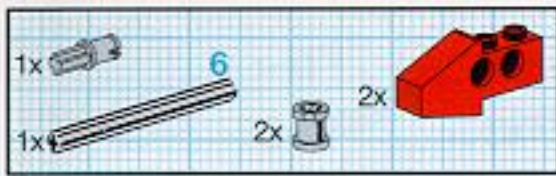


1

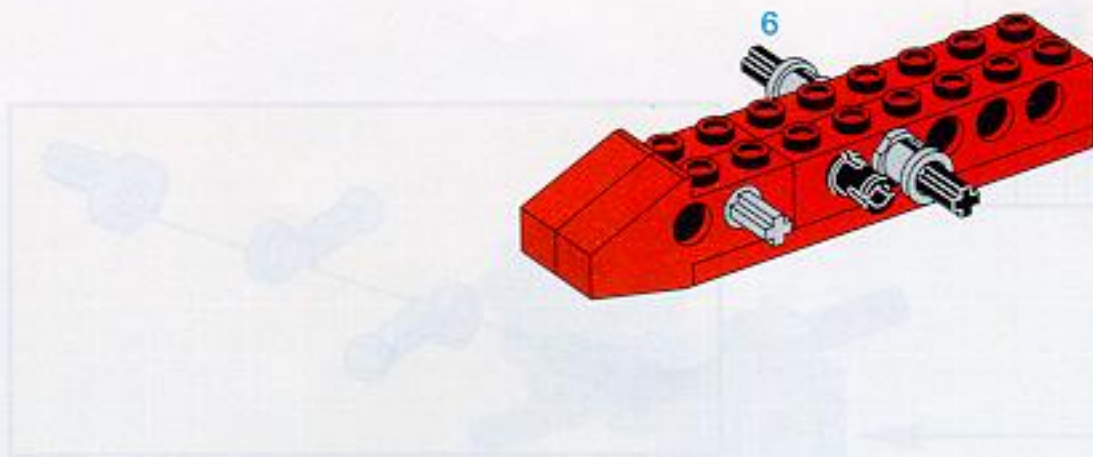


2

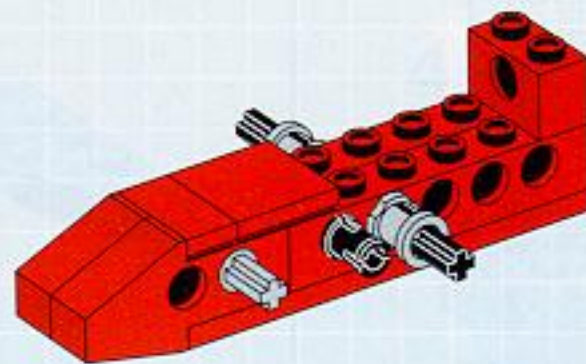




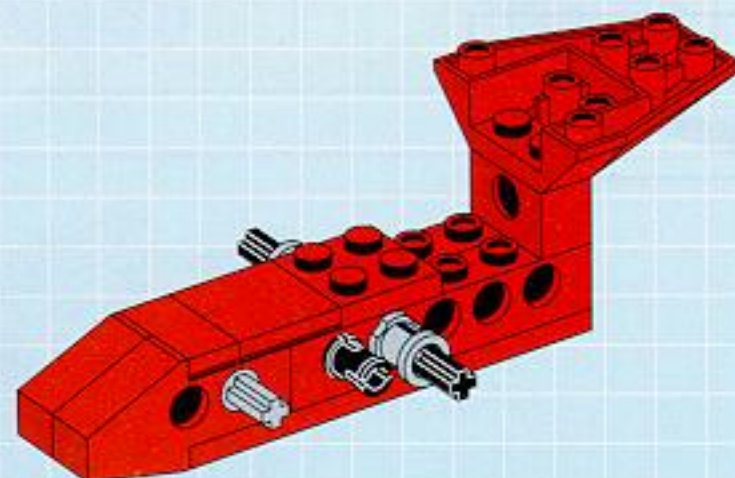
3



4

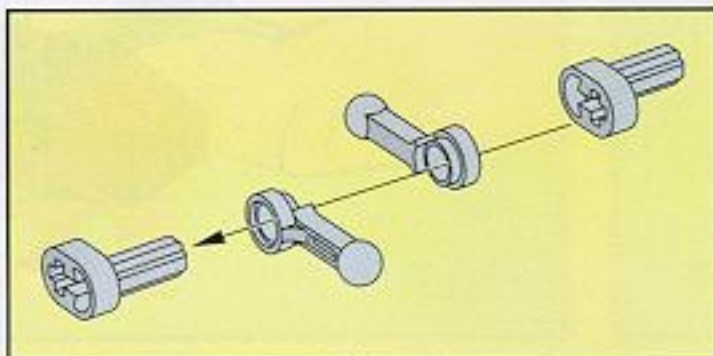


5

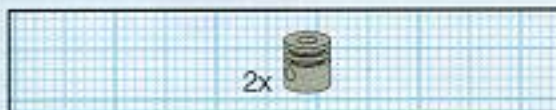




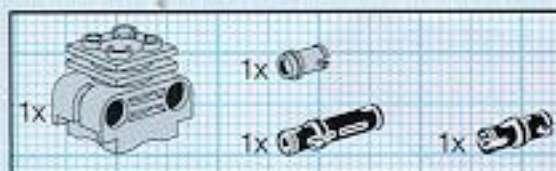
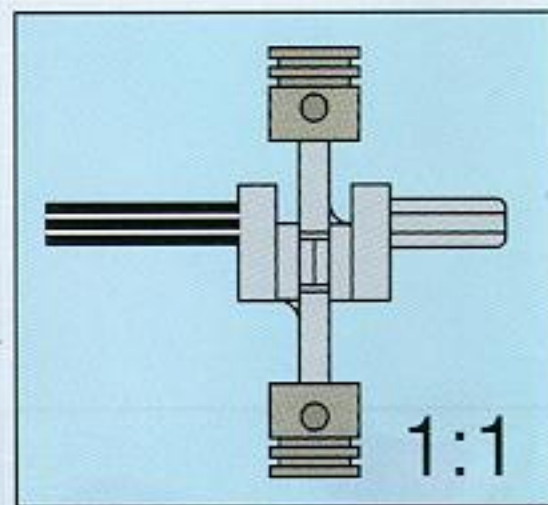
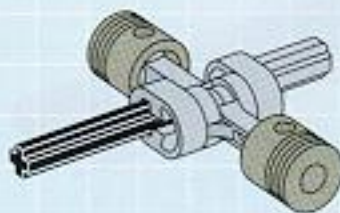
1



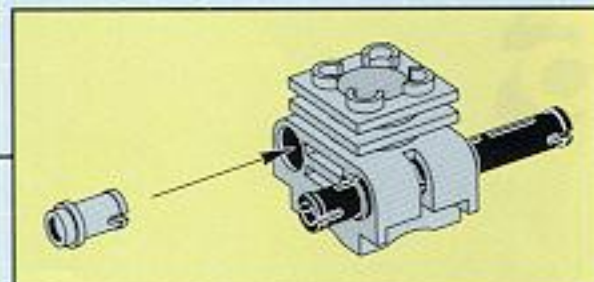
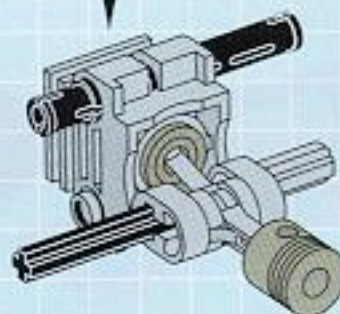
2

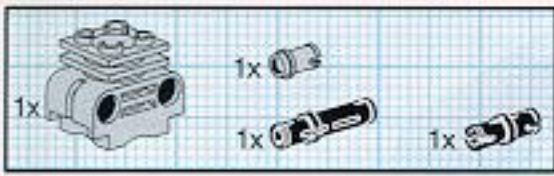


3

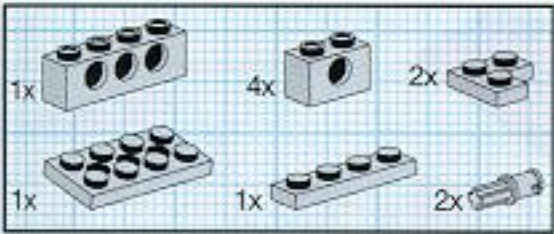
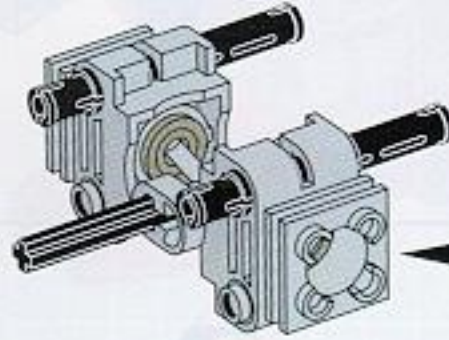
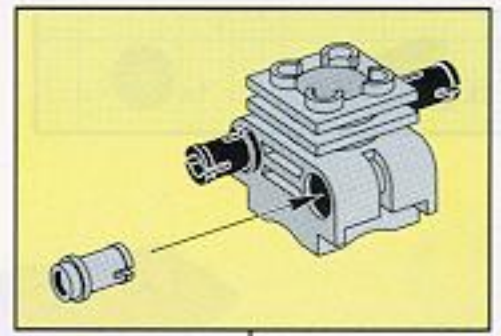


4

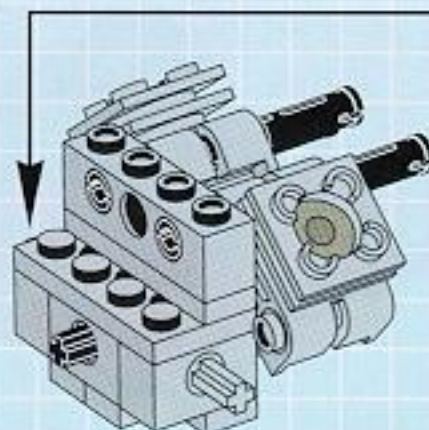
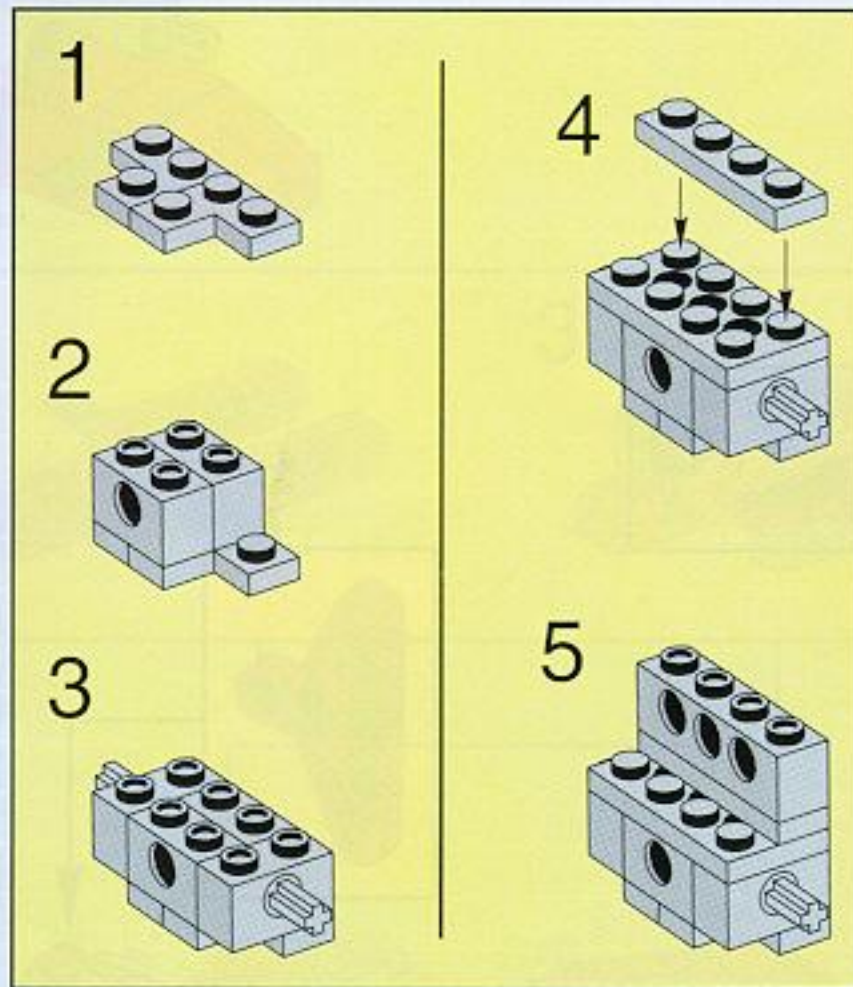




5

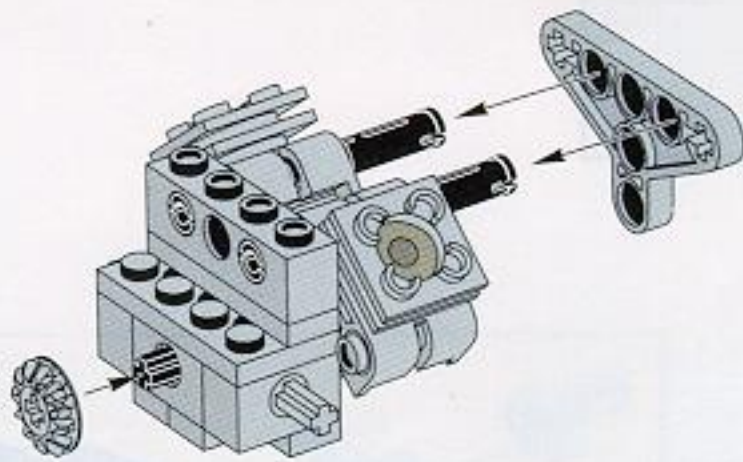


6

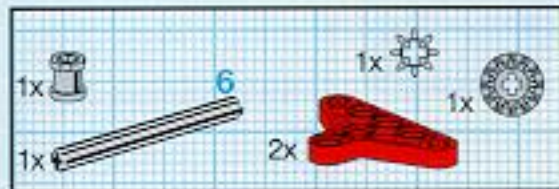
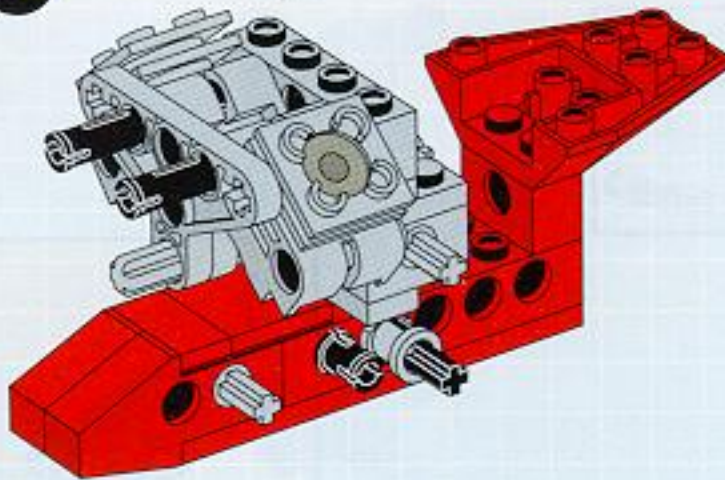




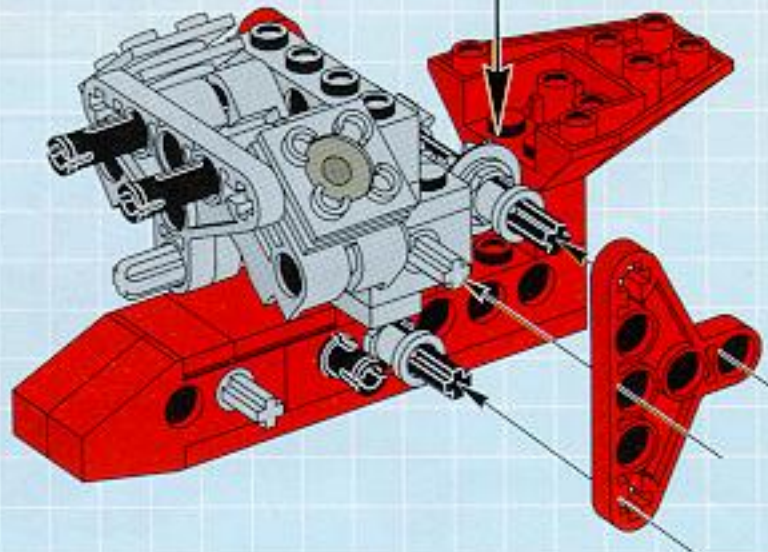
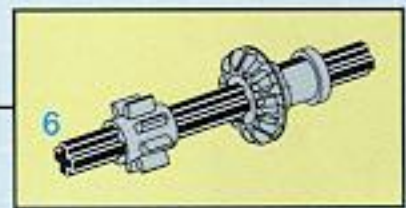
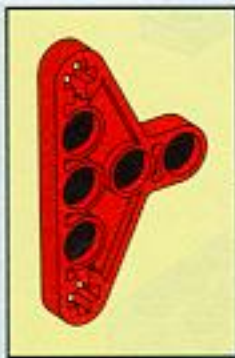
7

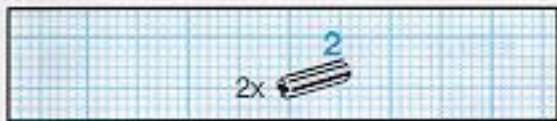


6

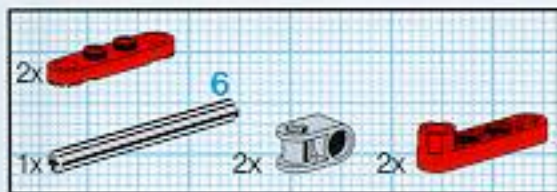
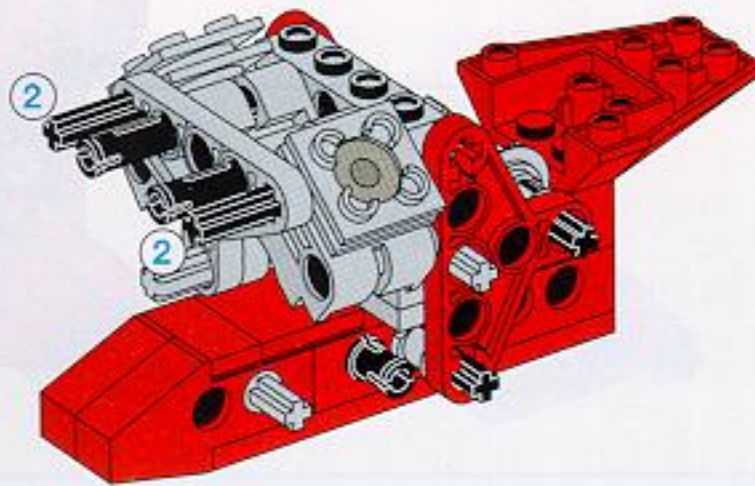


7

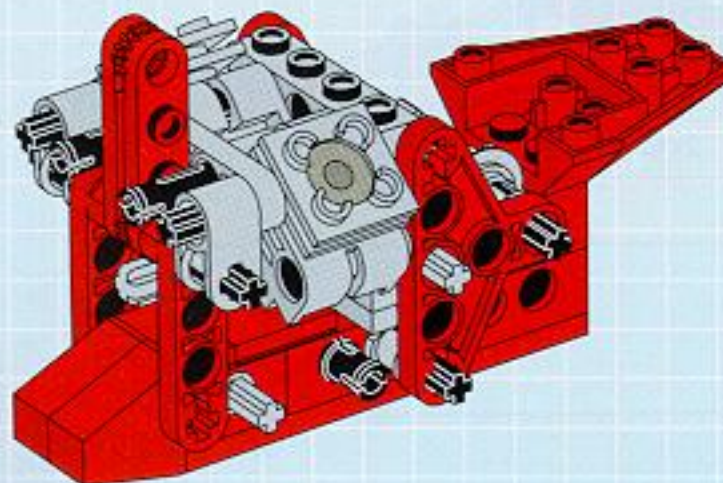
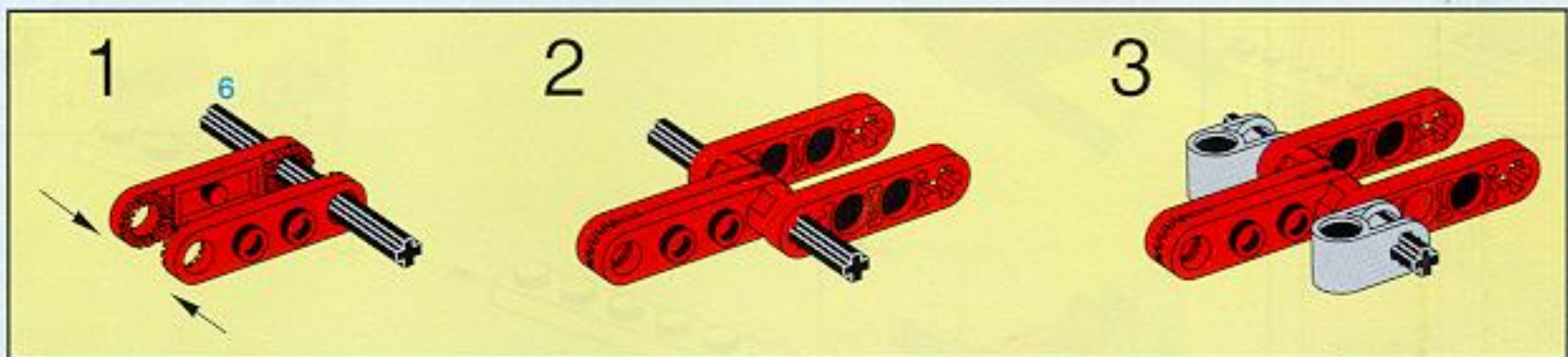




8

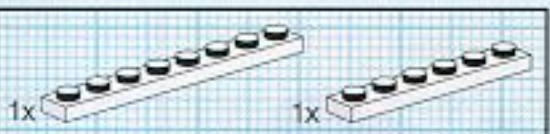
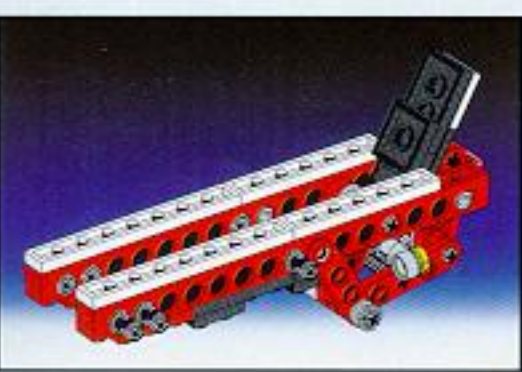
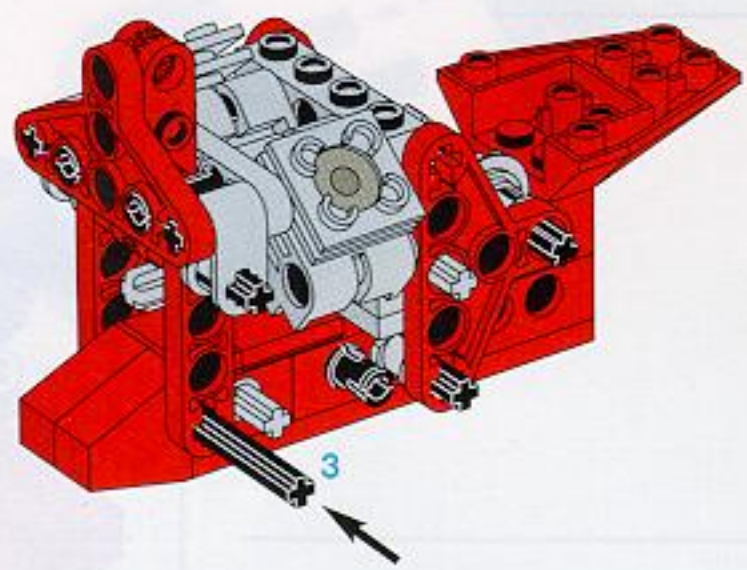


9

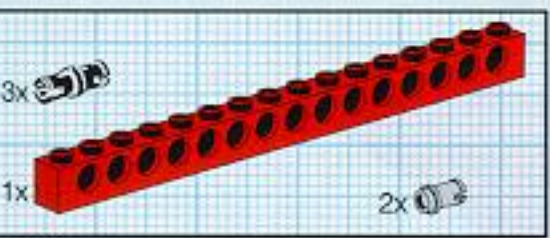
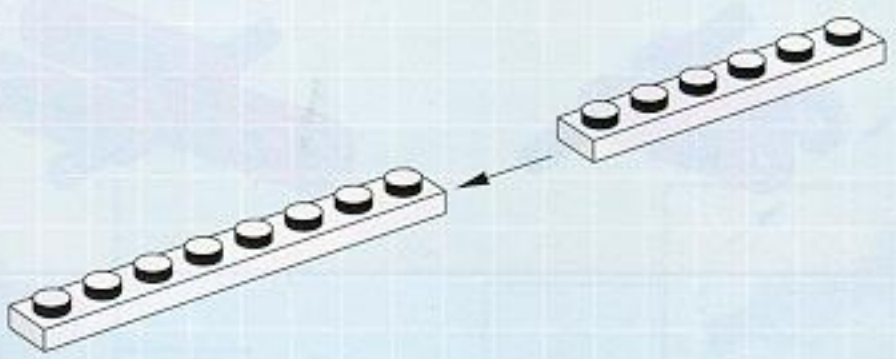




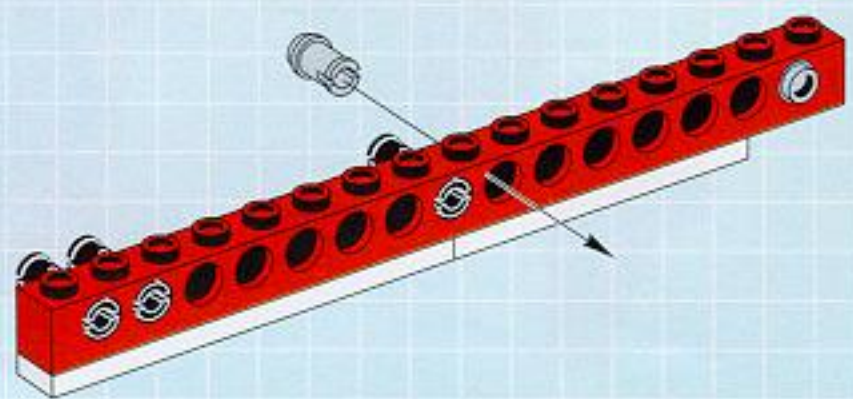
10



1



2



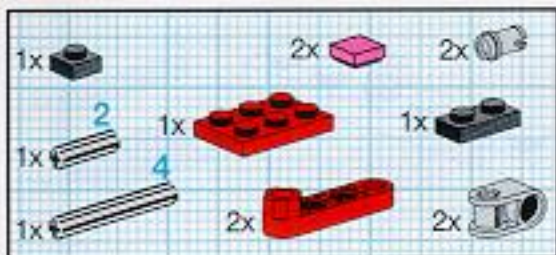
1x
1x
1x

3

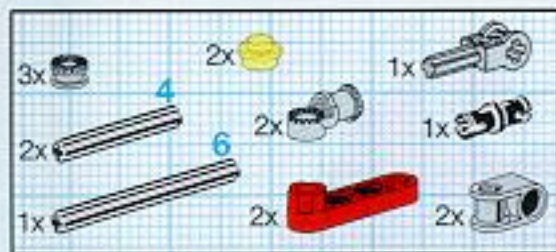
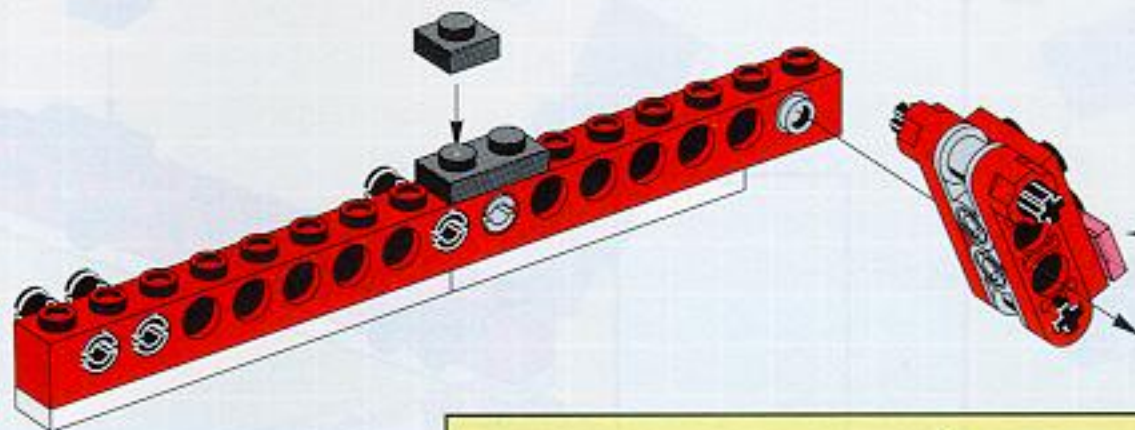
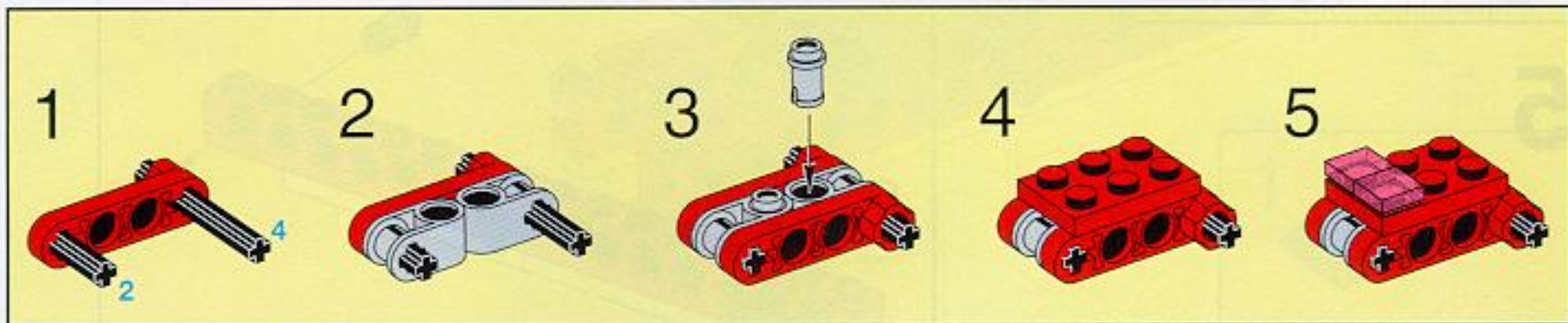
3x
2x
1x

4

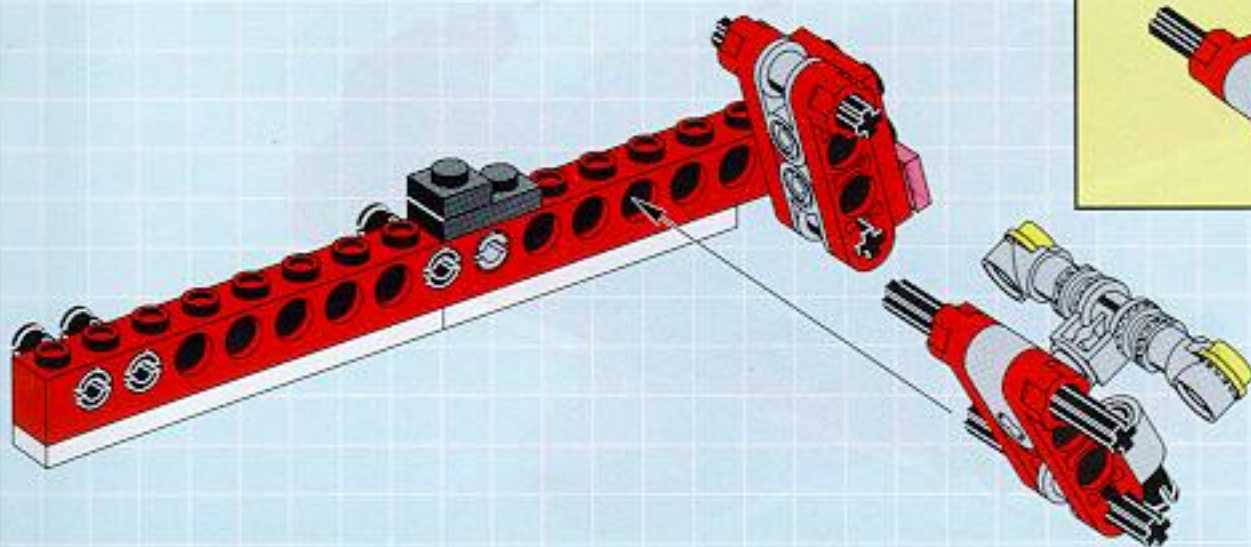
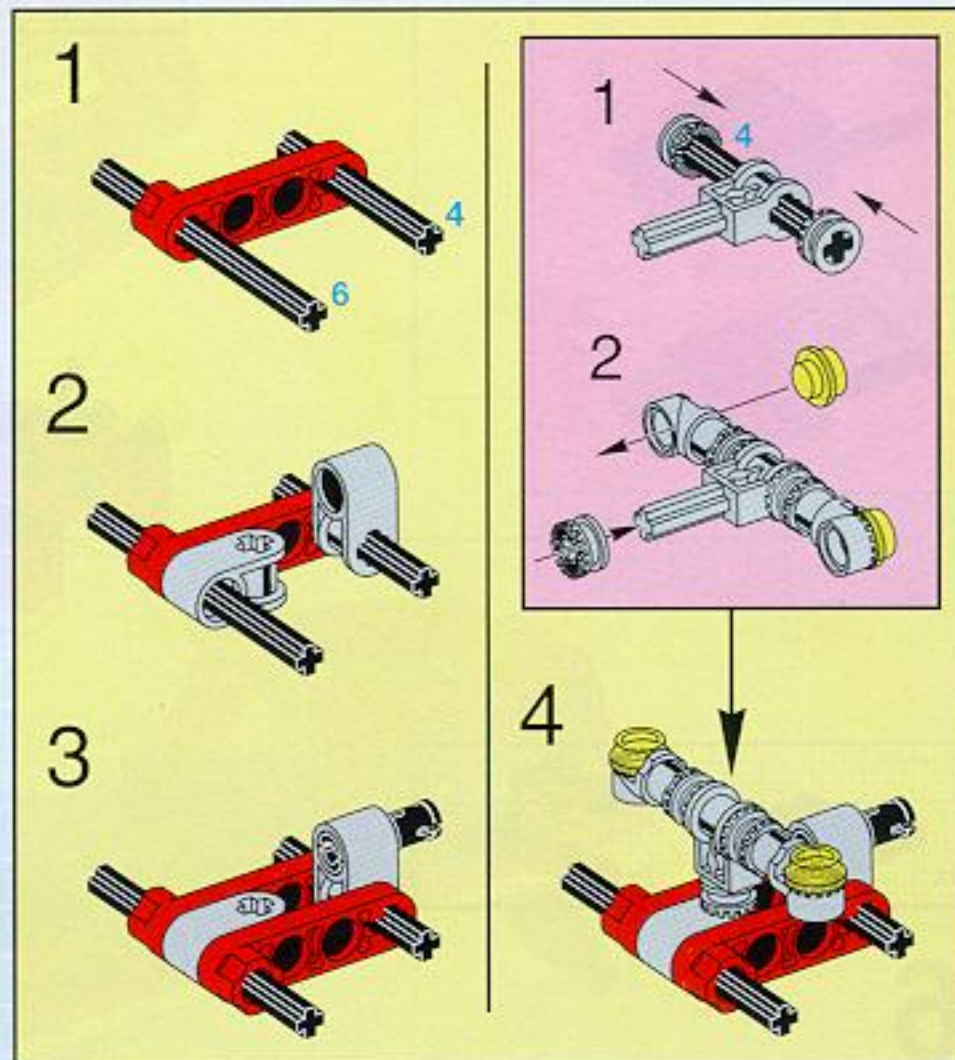


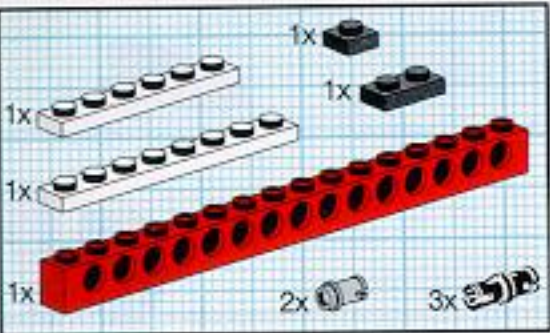


3

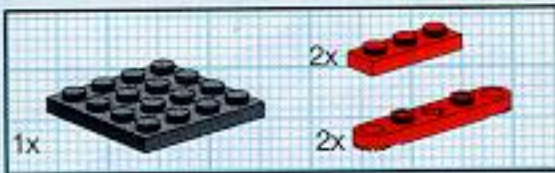
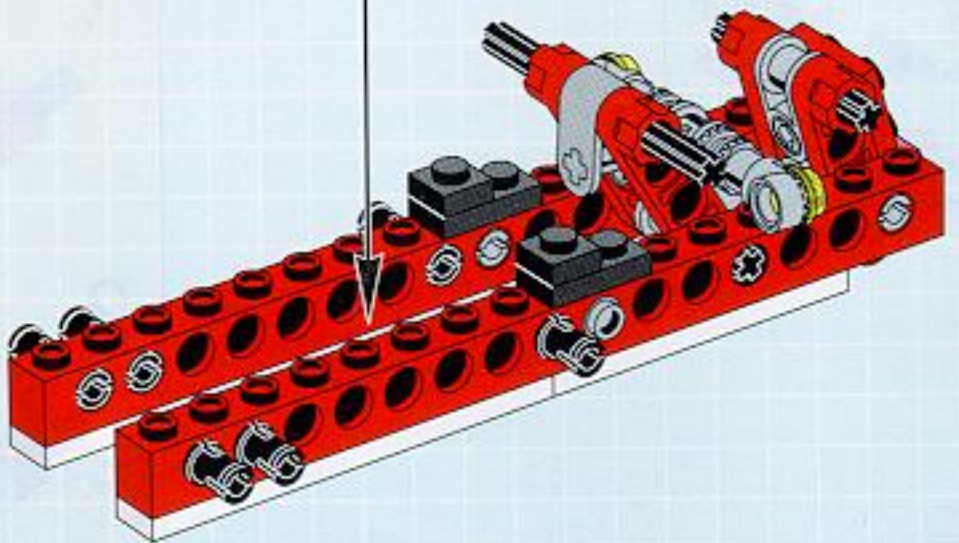
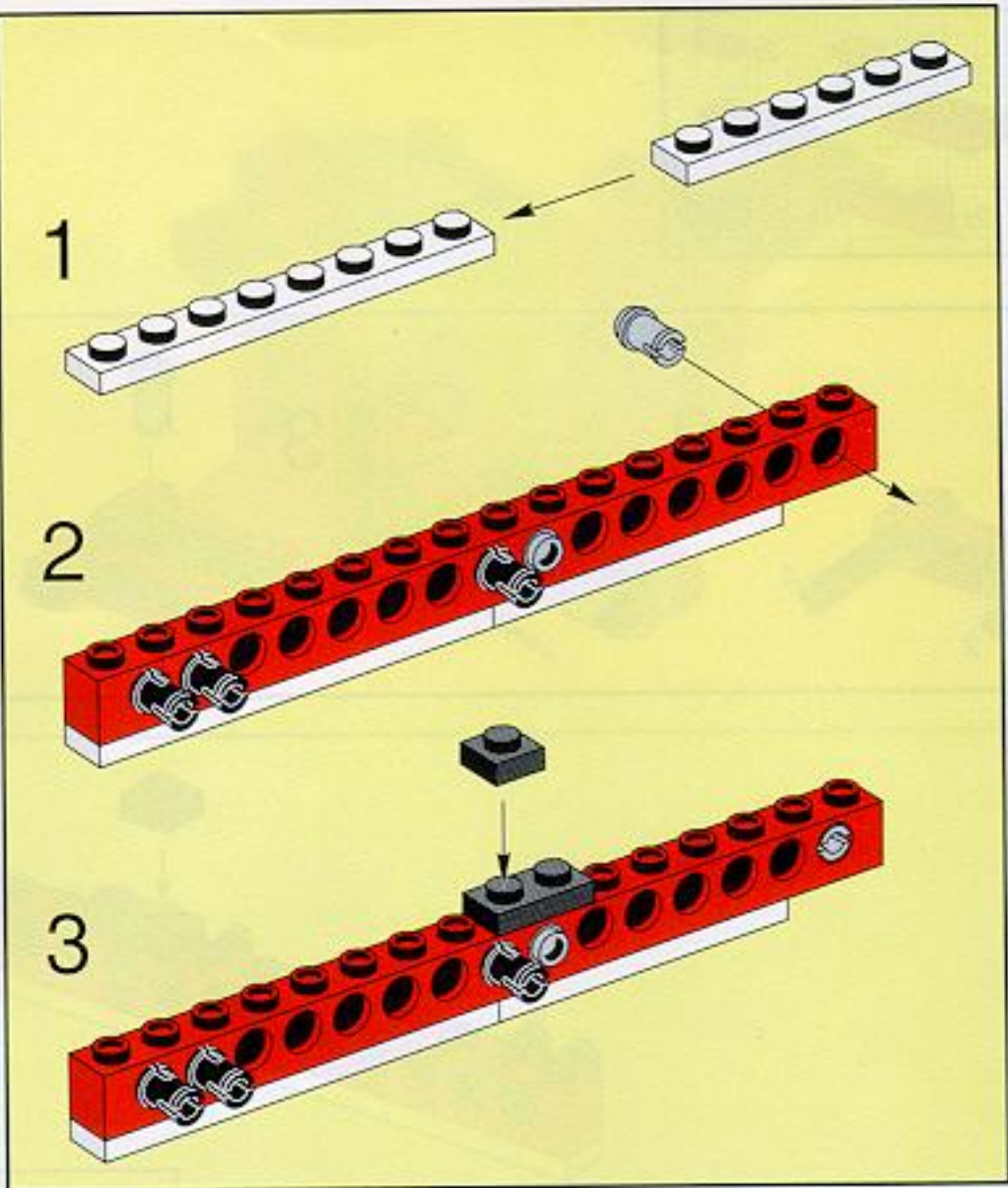


4

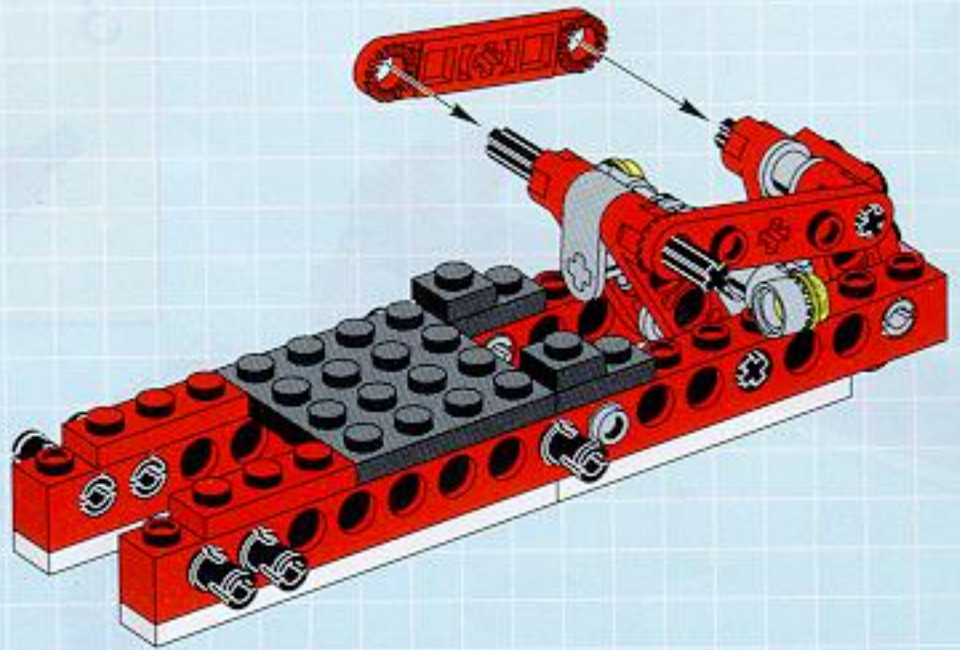


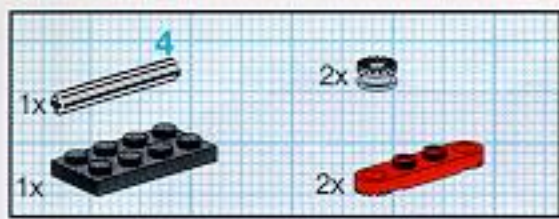


5

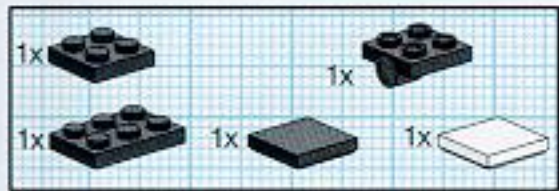
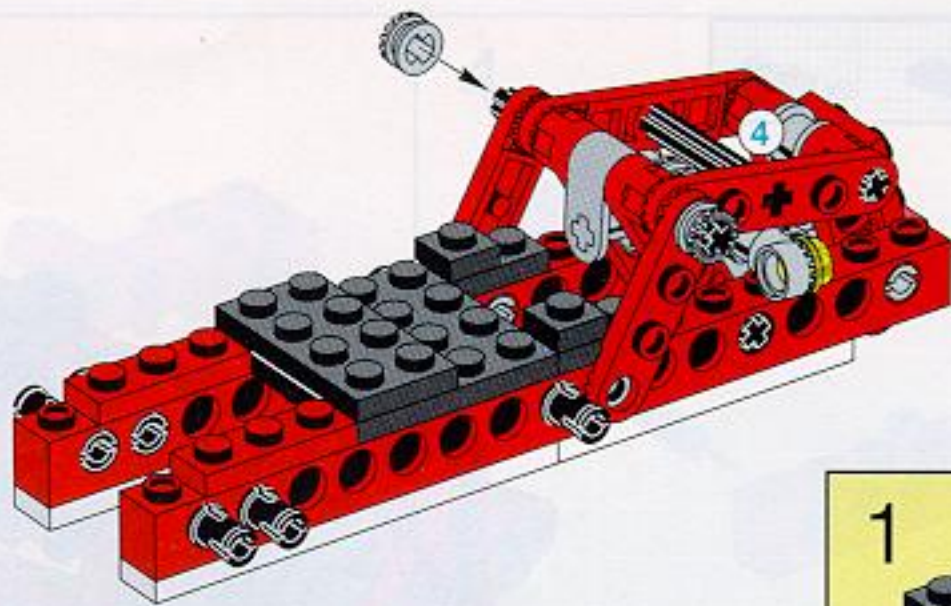


6

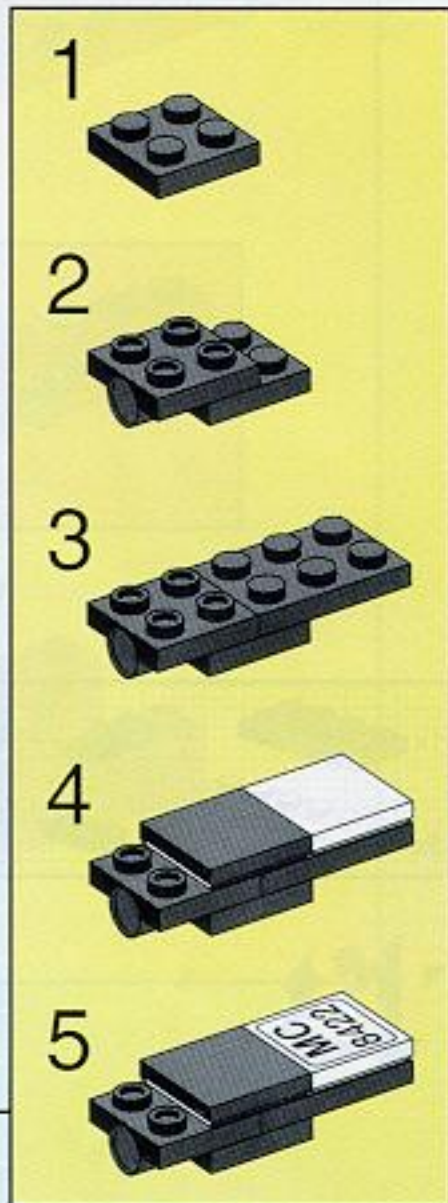
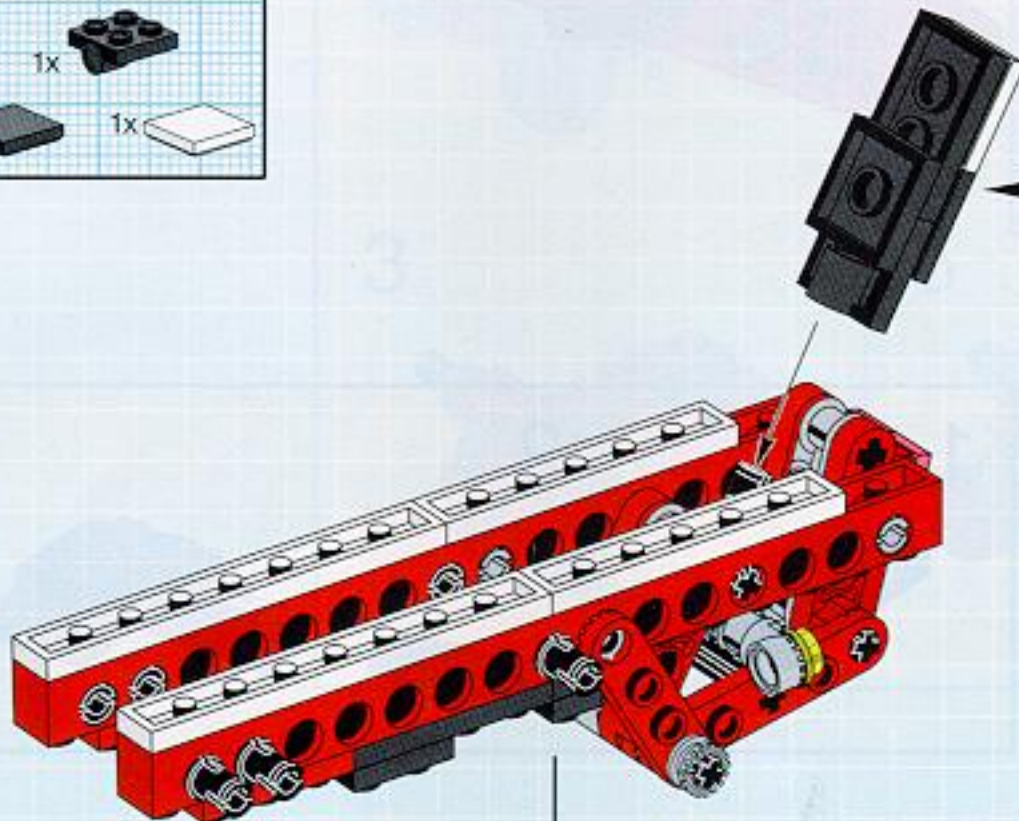




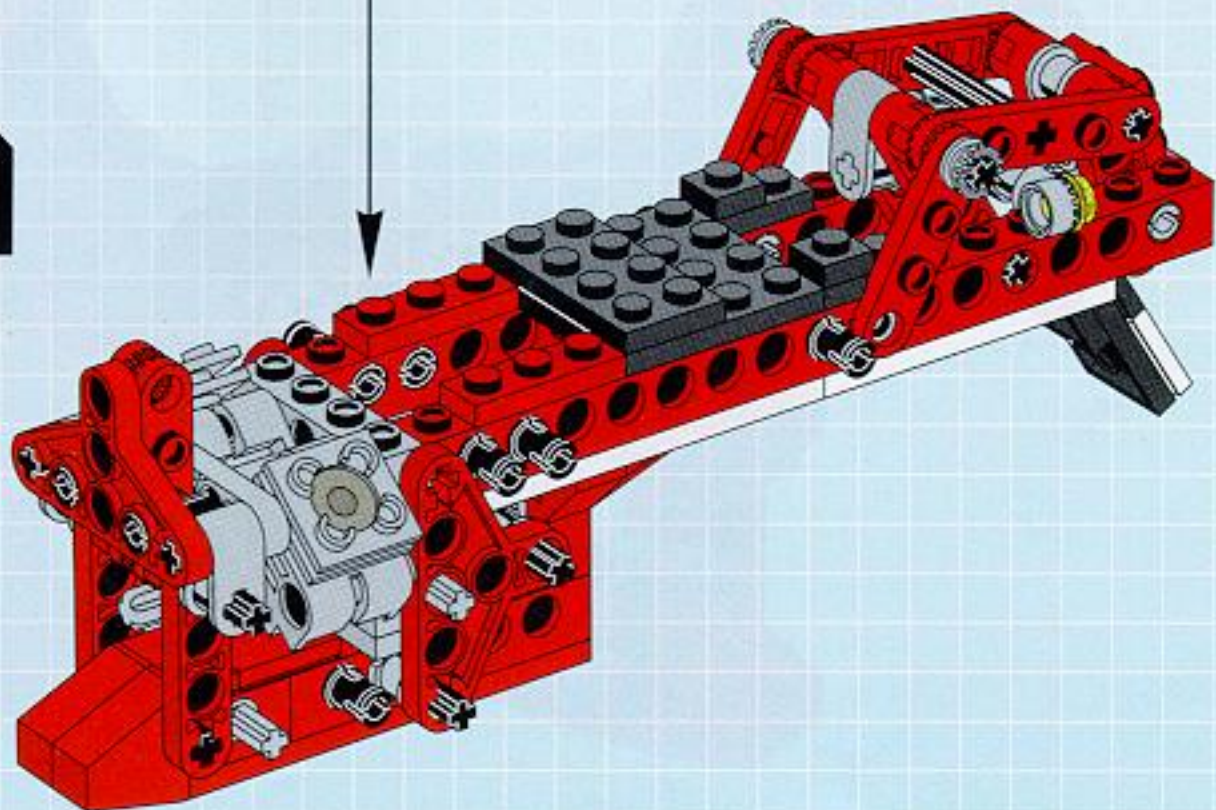
7



8

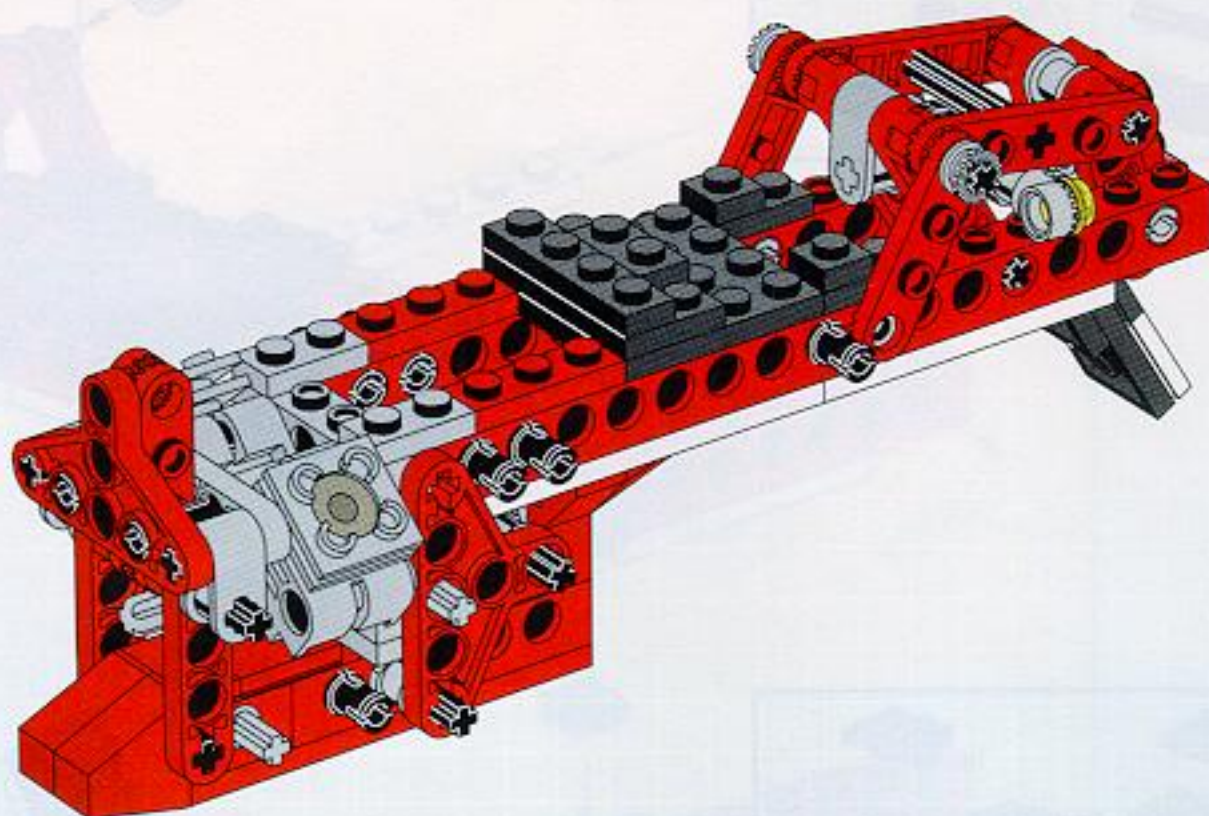


11

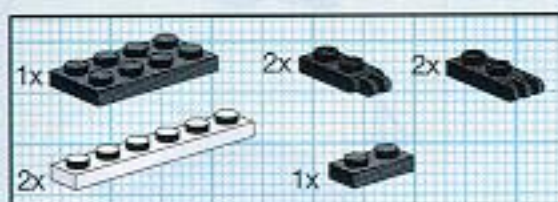




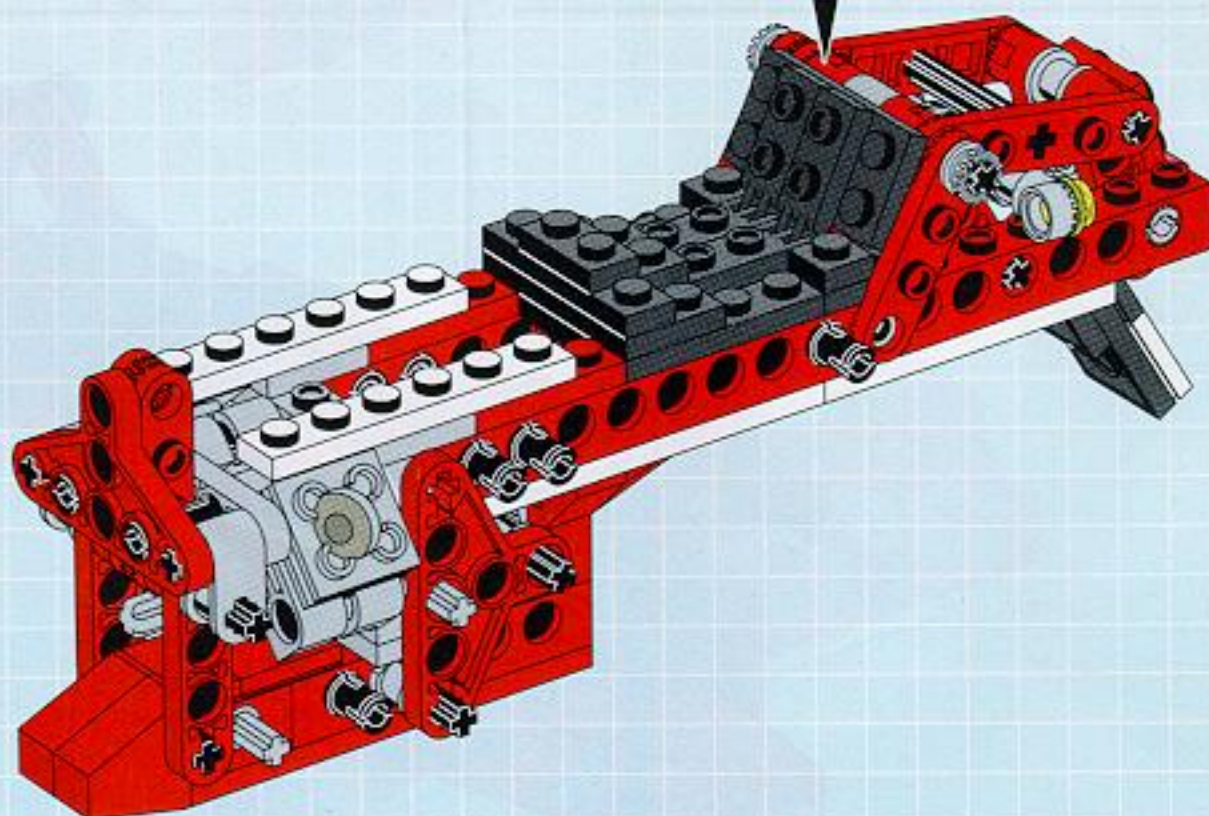
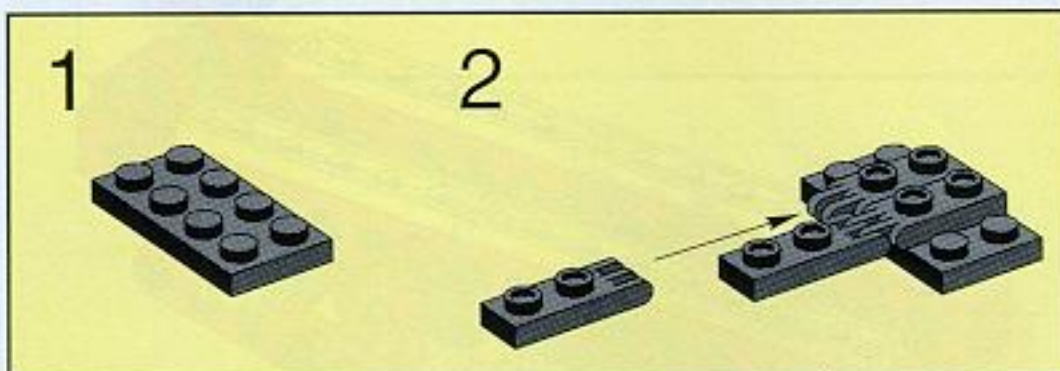
12

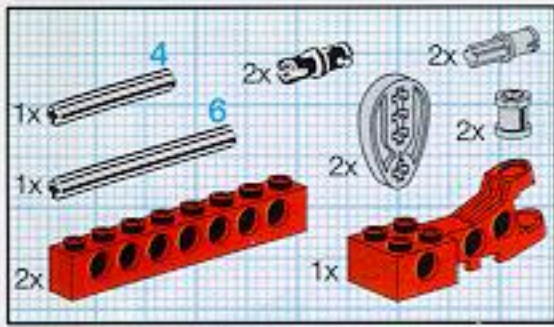


13

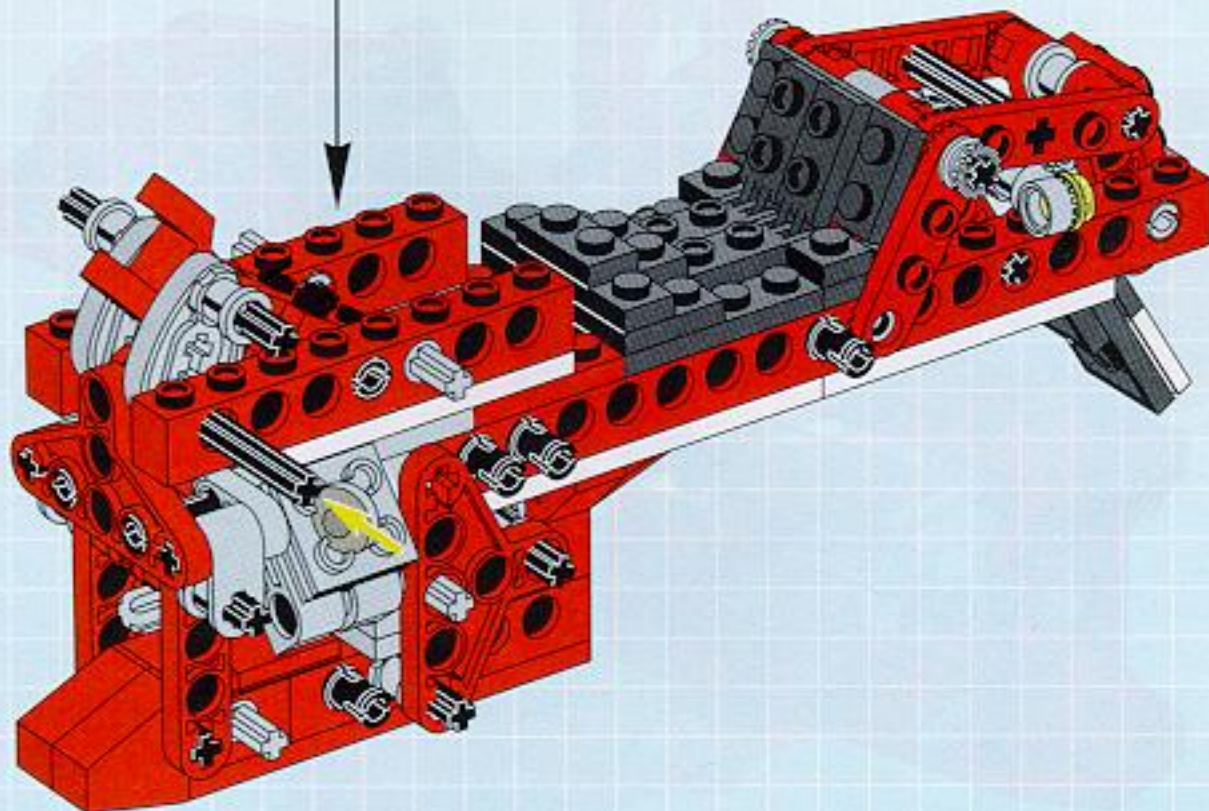
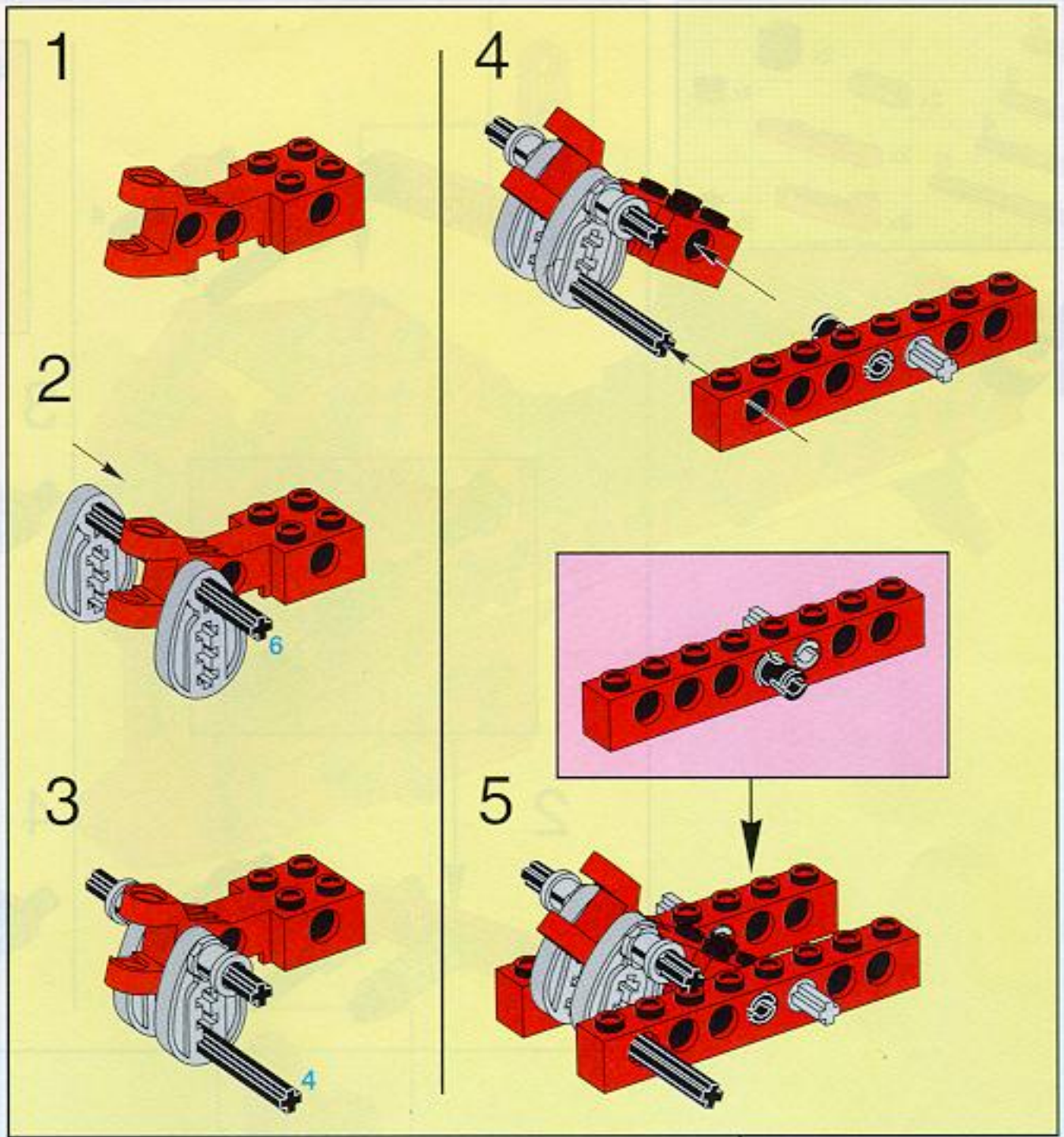


13



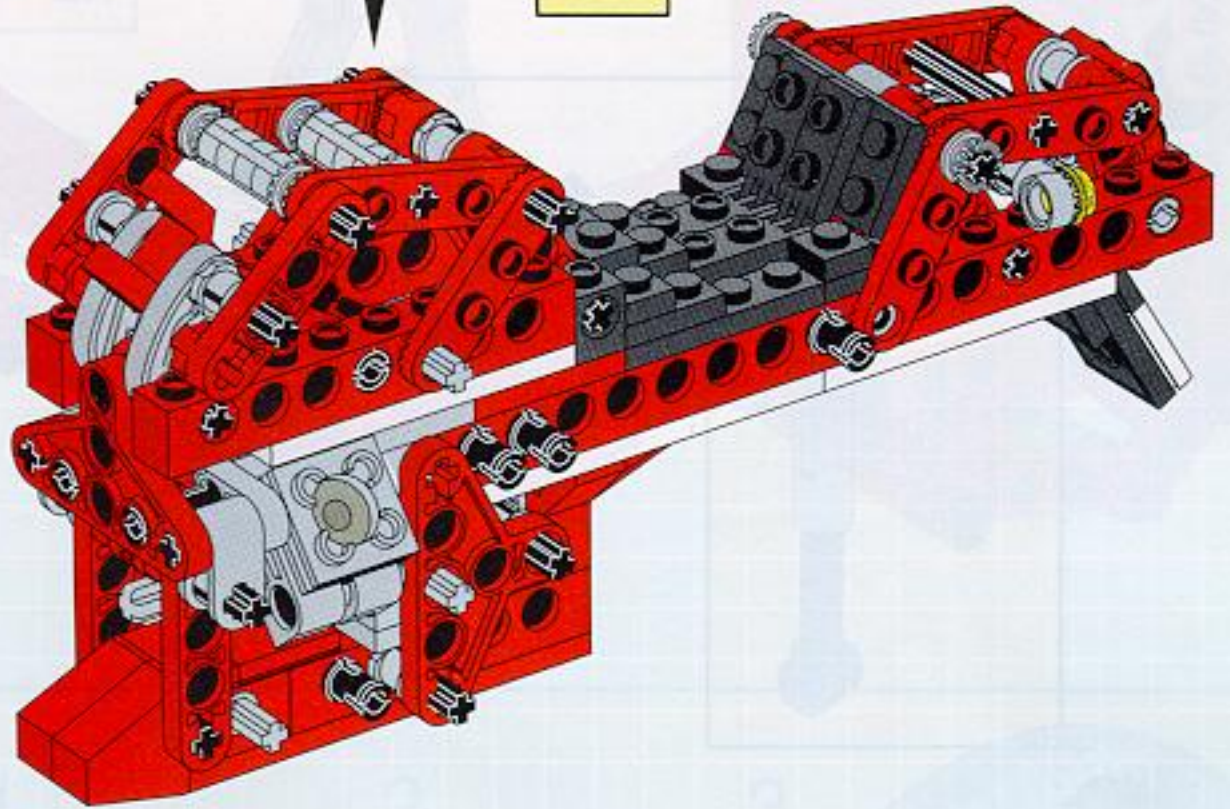
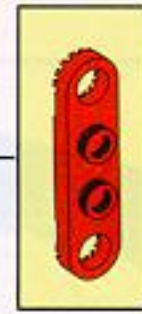


14

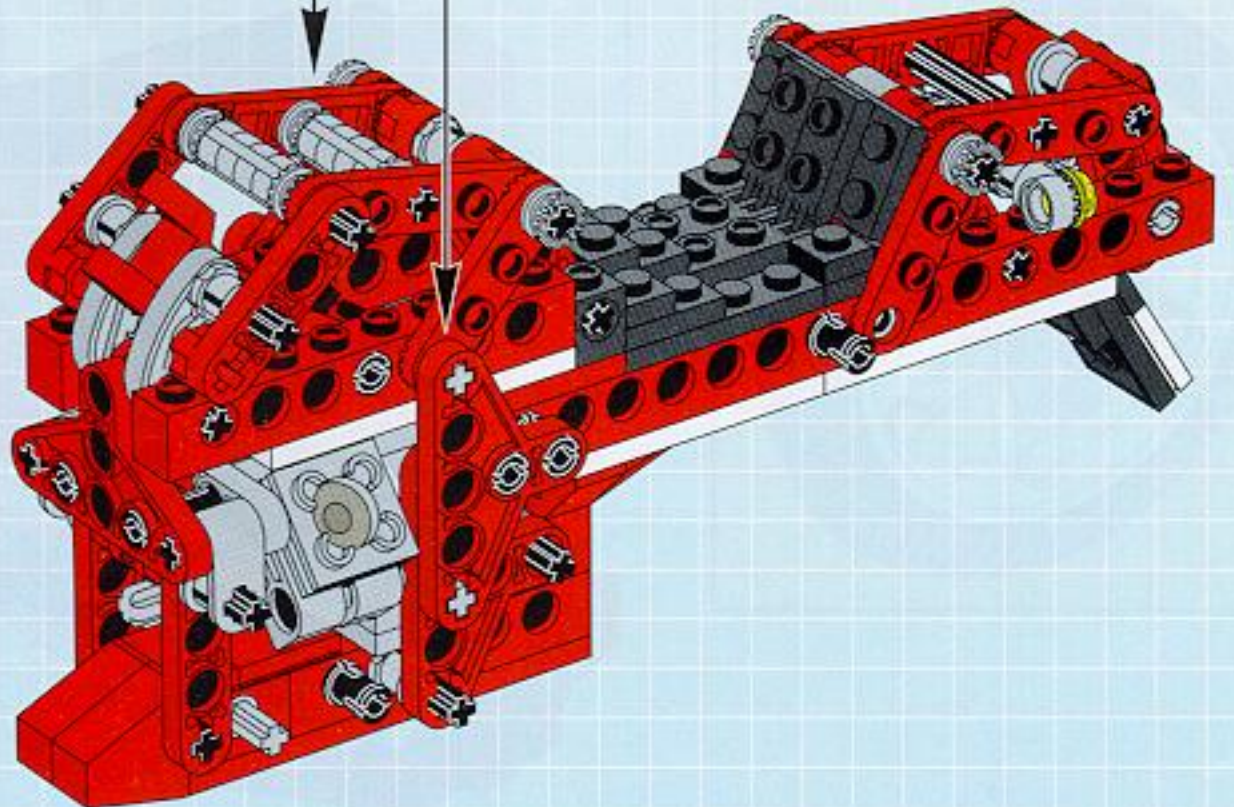


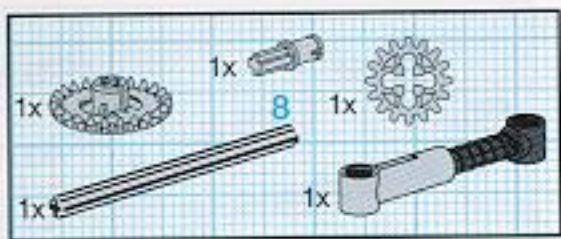


16

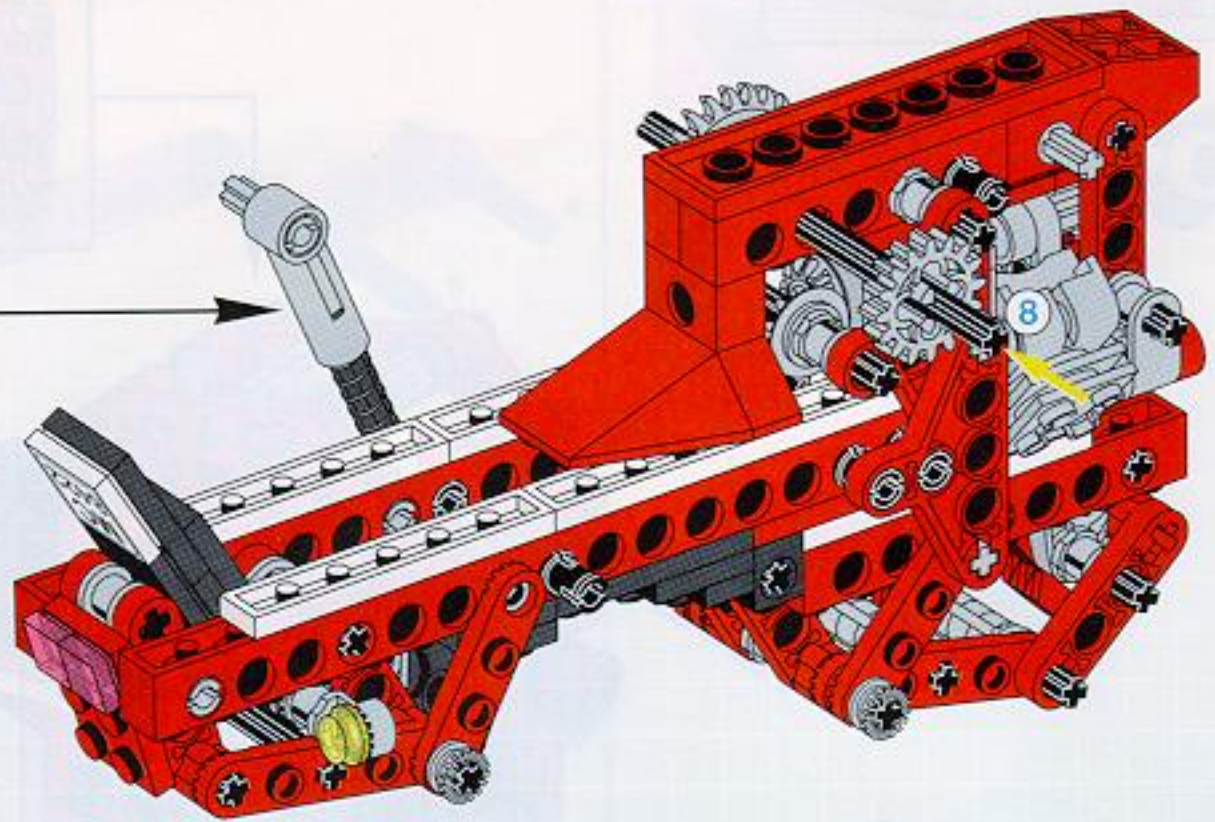
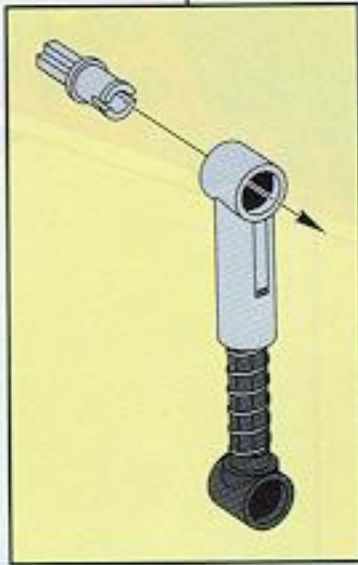


17

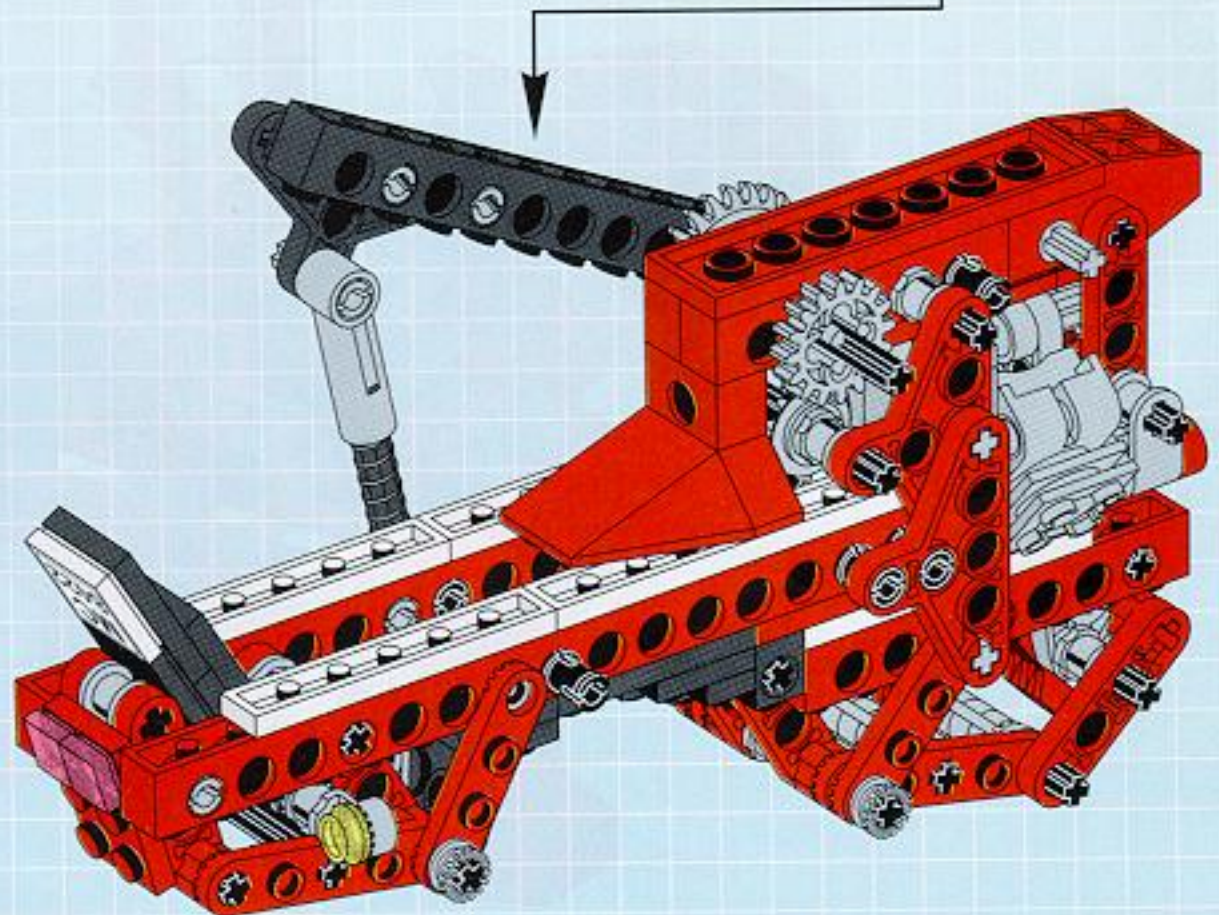
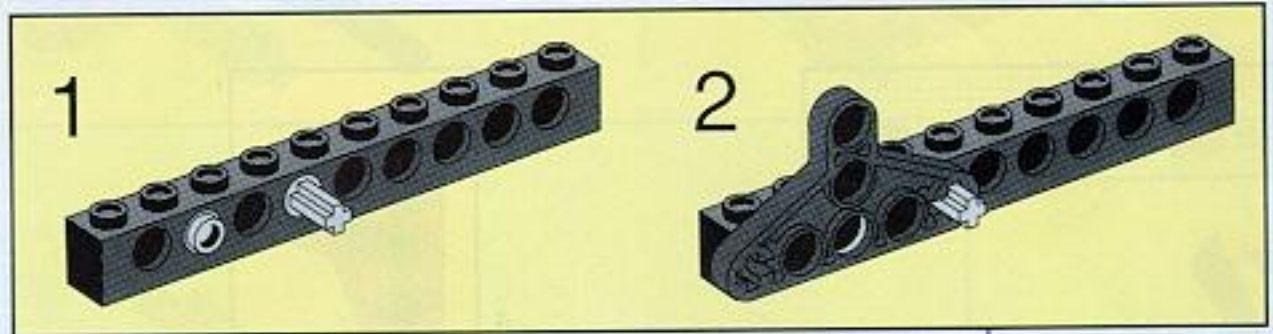




18



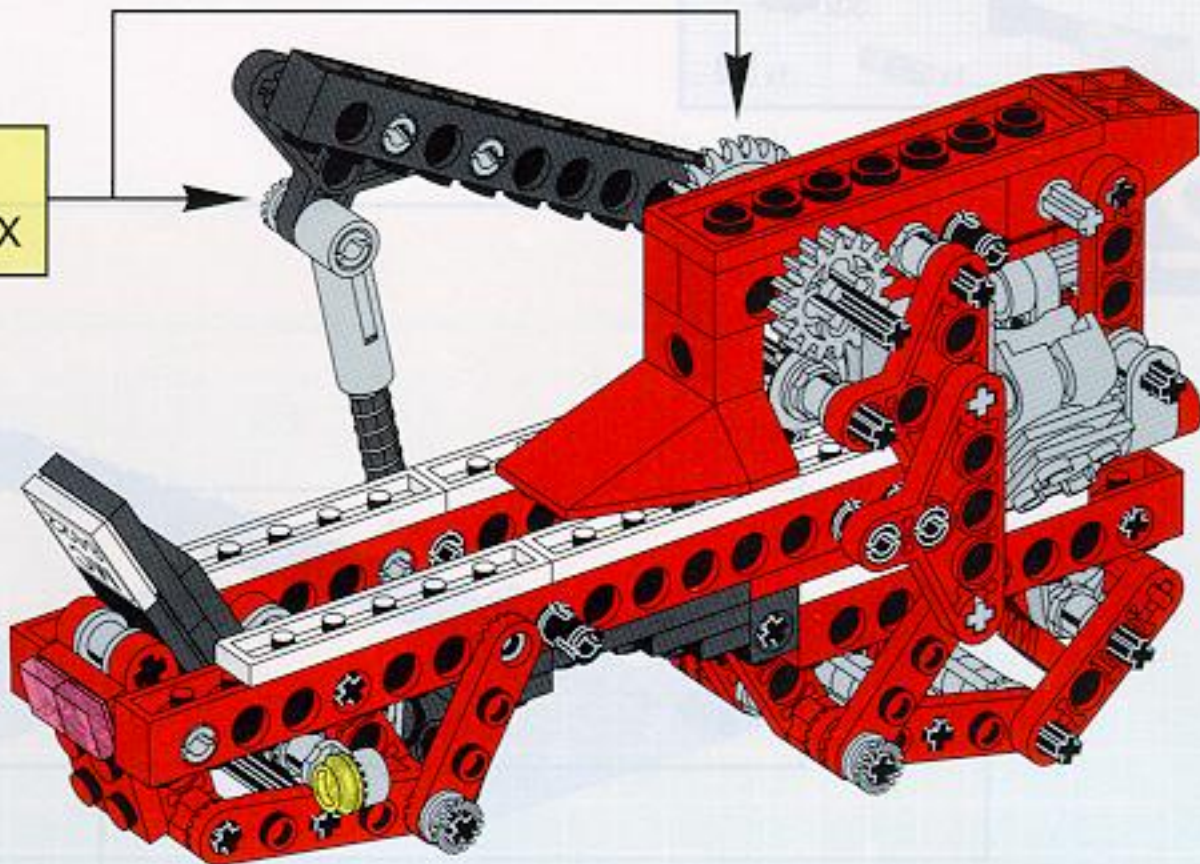
19



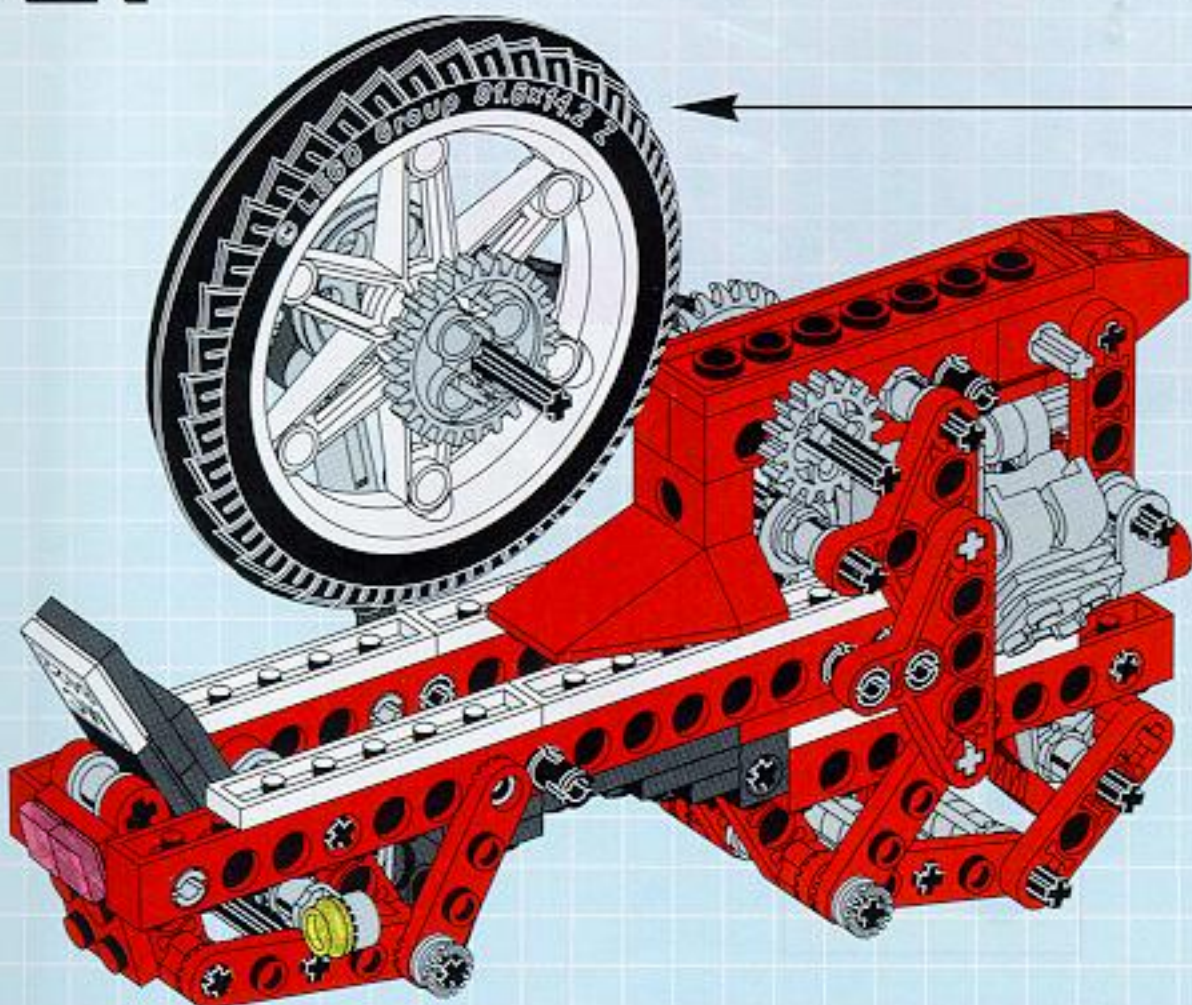
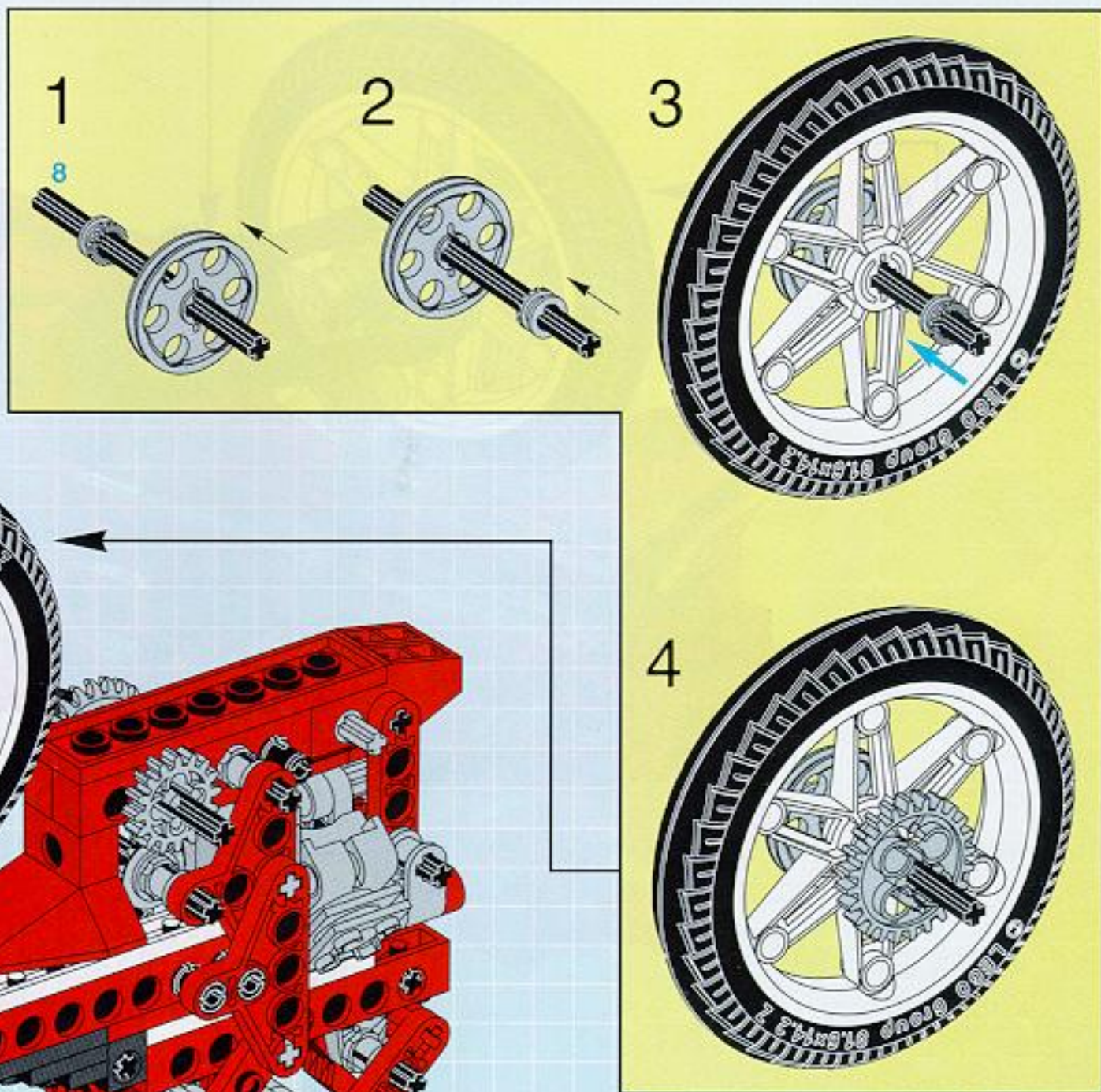
2x

20

2x

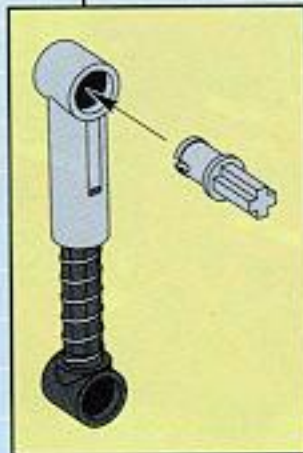
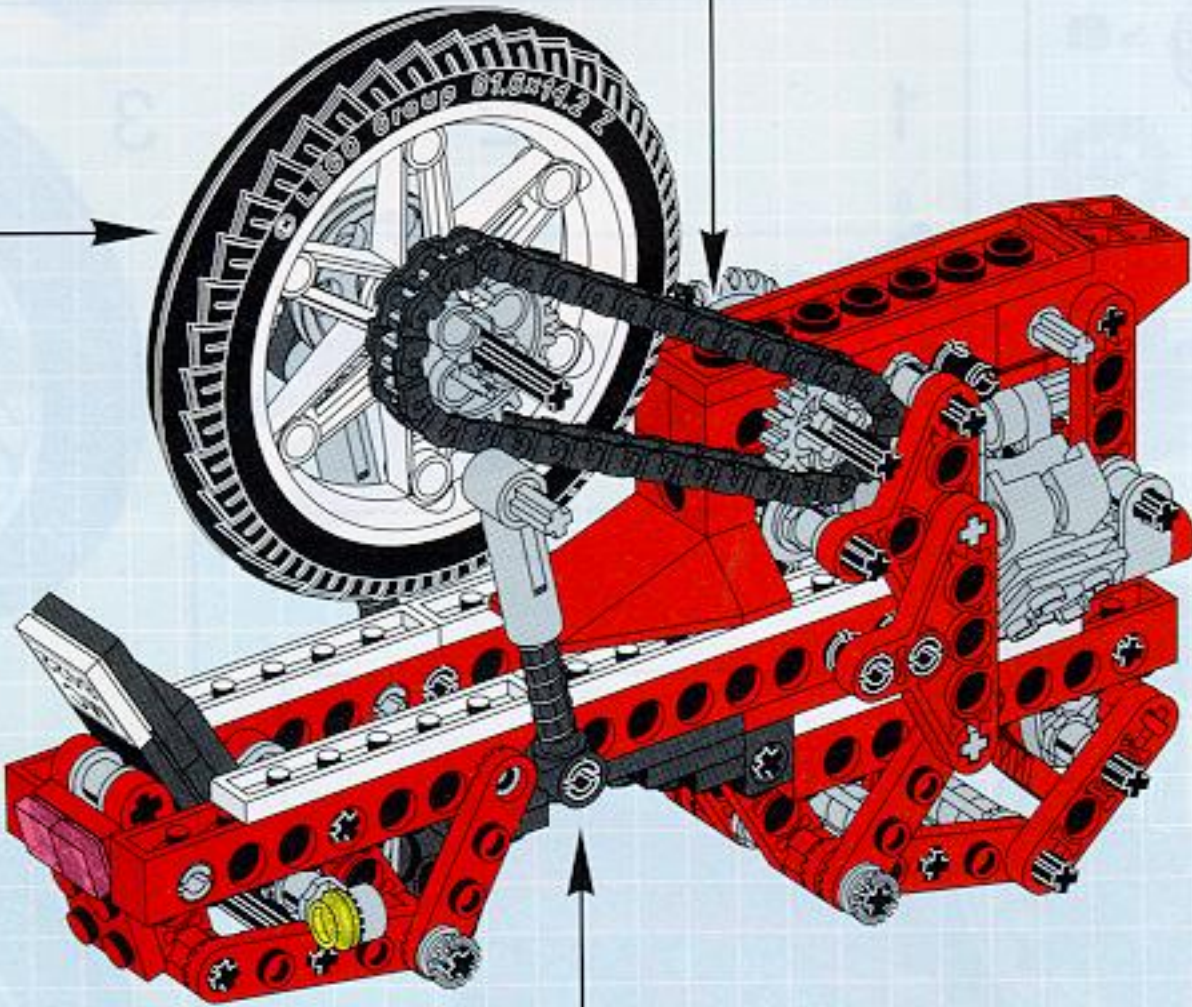
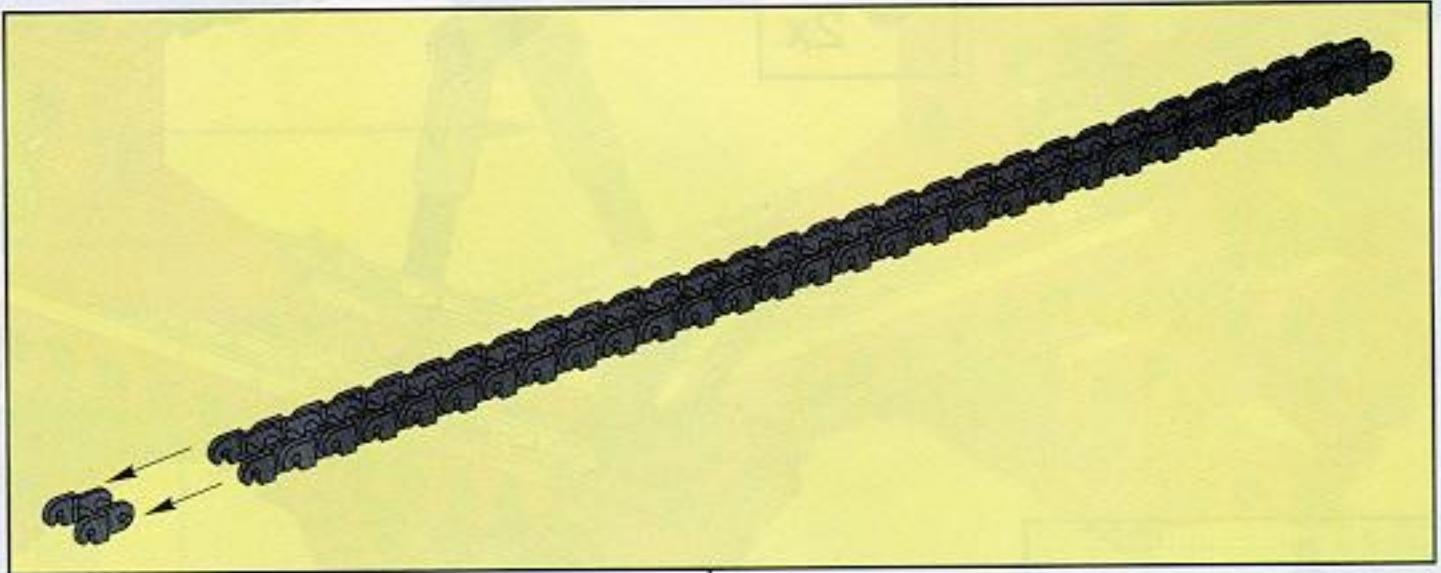


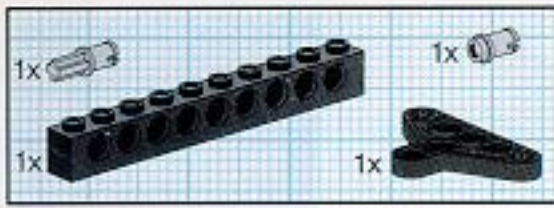
21



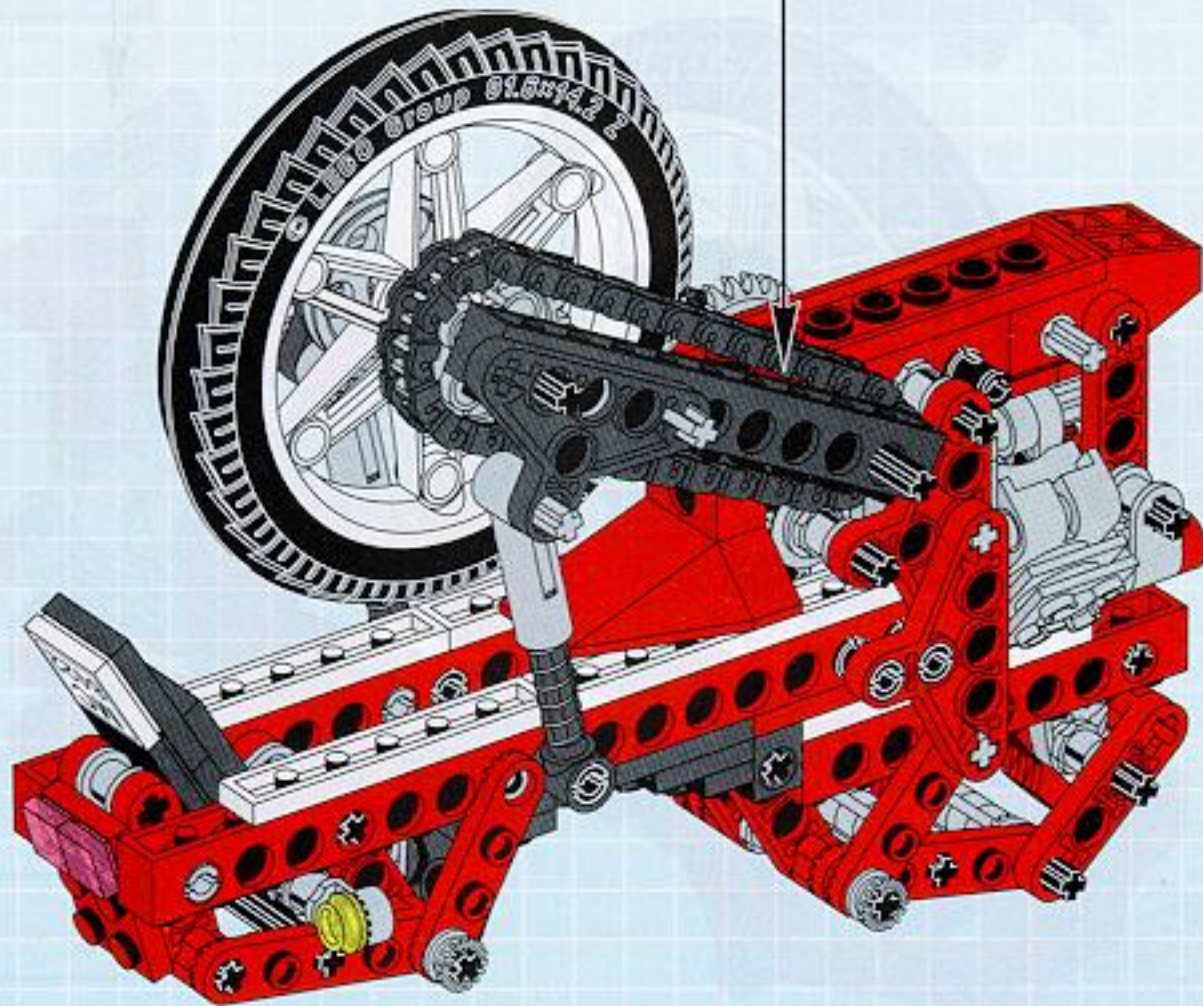
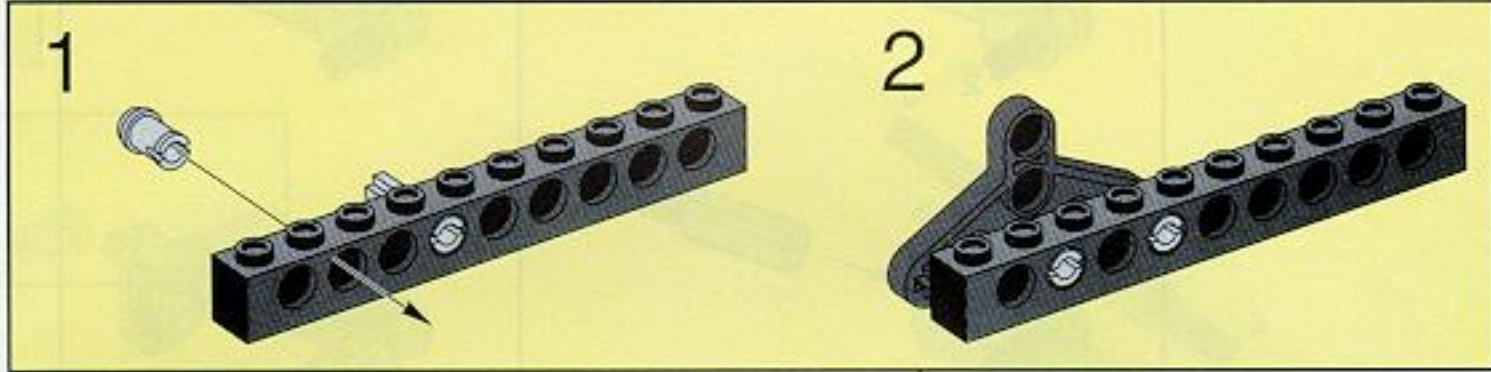


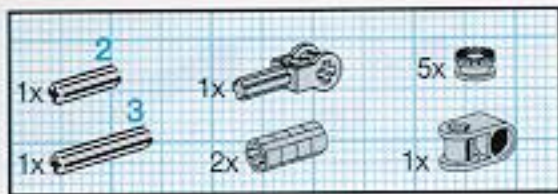
22



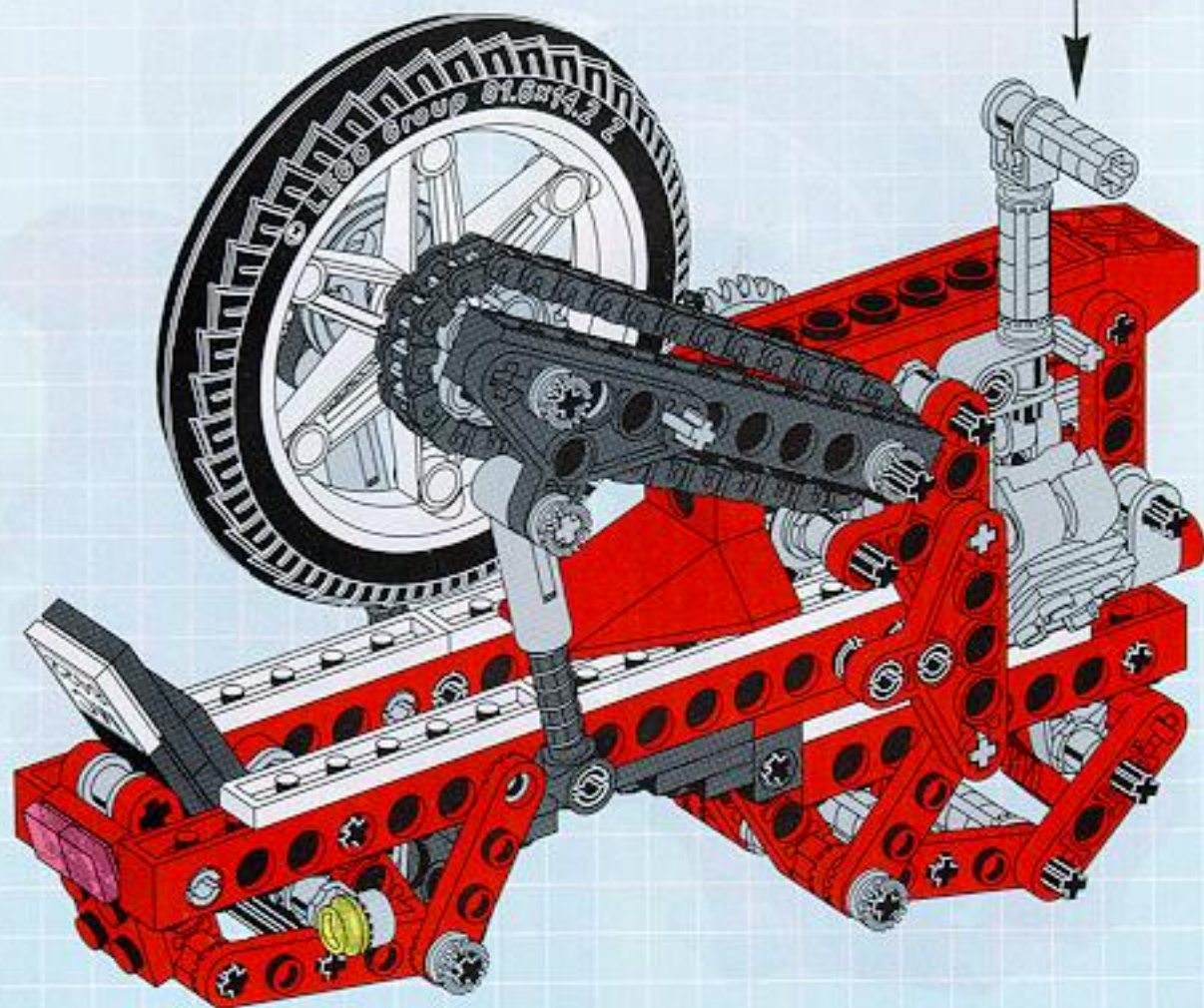
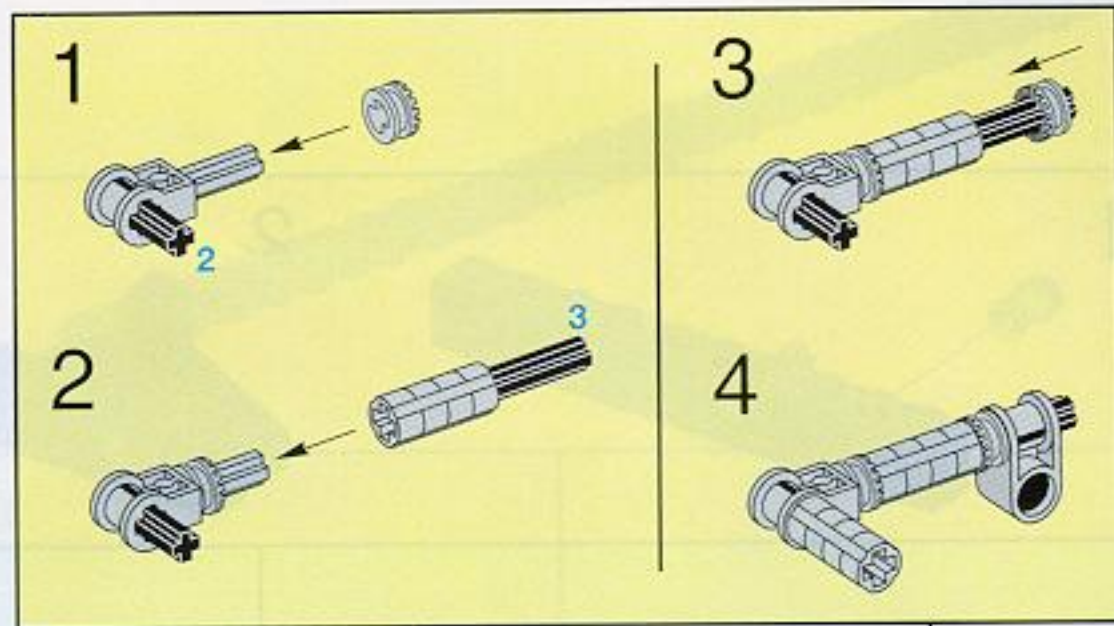


23



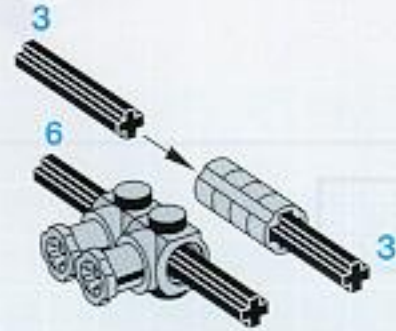


24





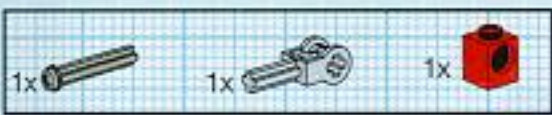
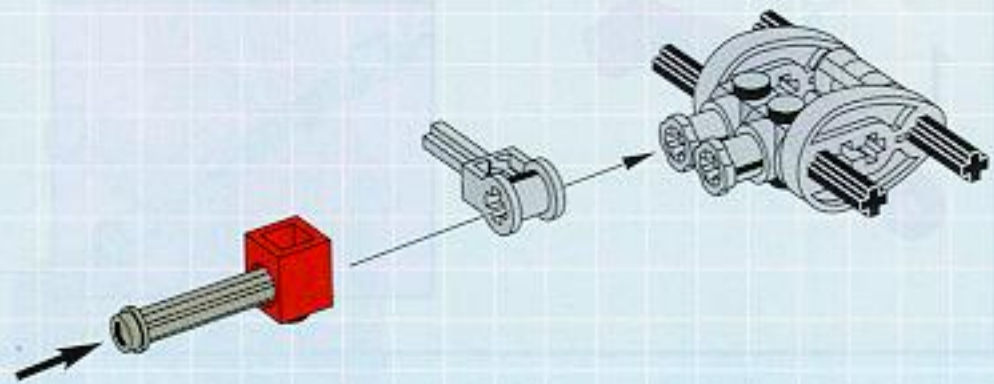
1



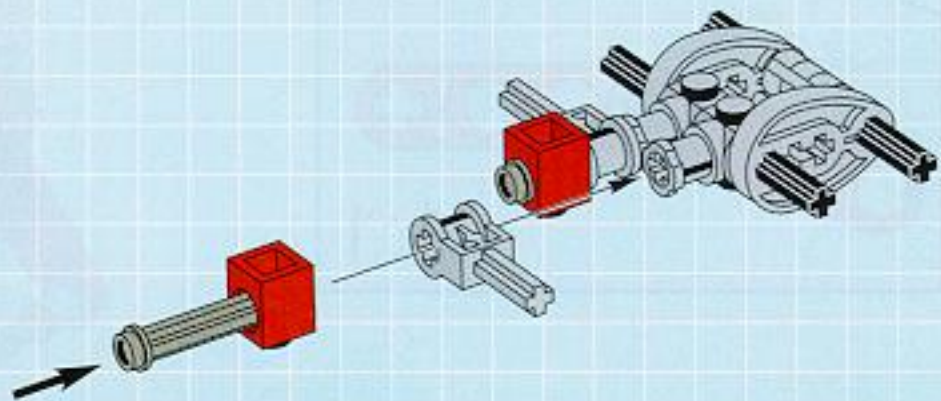
2



3

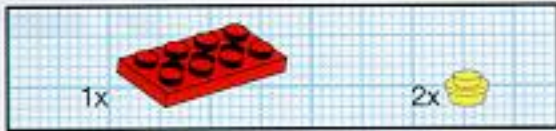
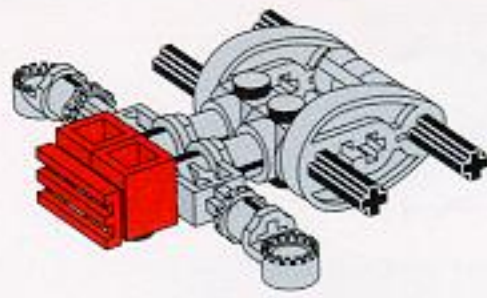


4

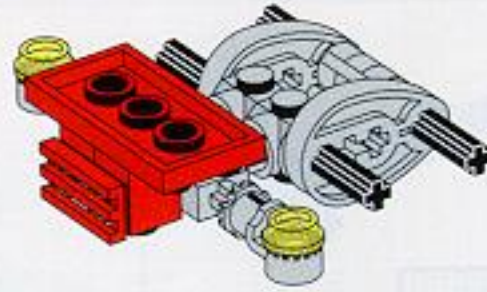




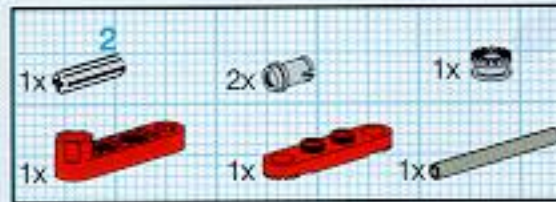
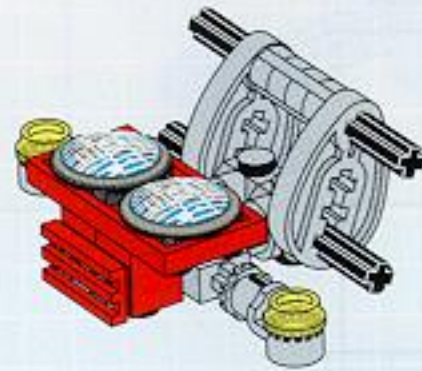
5



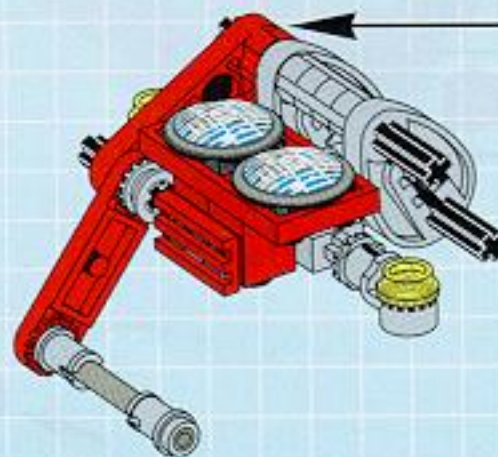
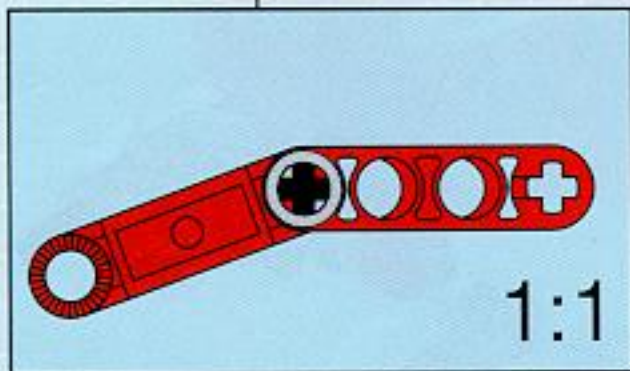
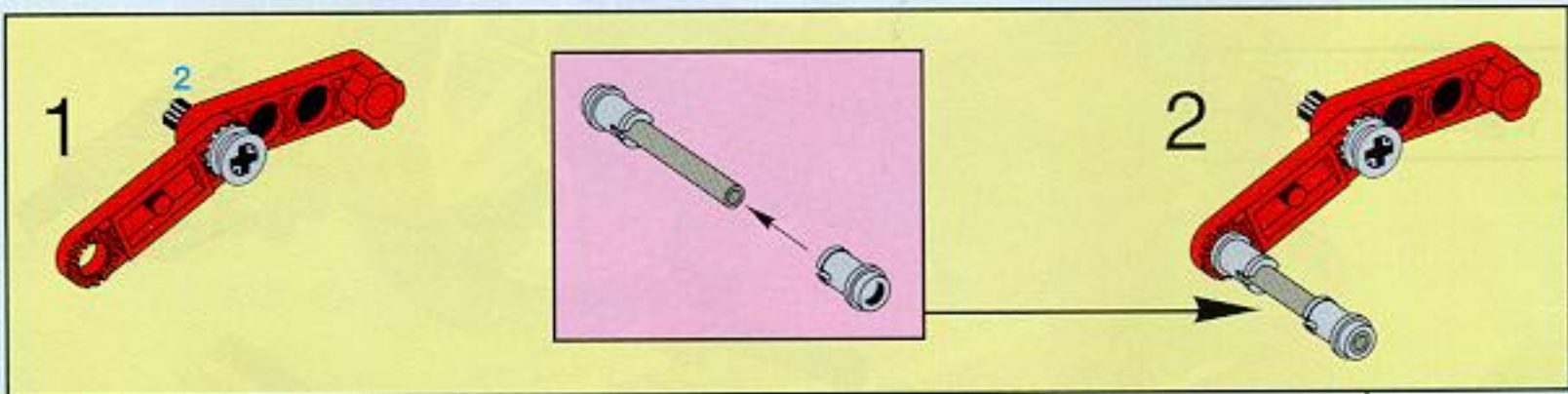
6



7



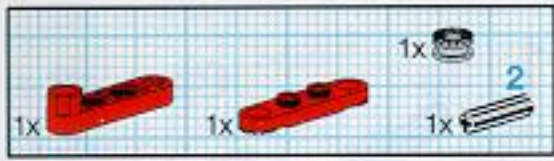
8



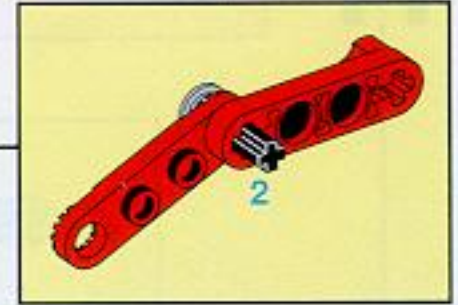
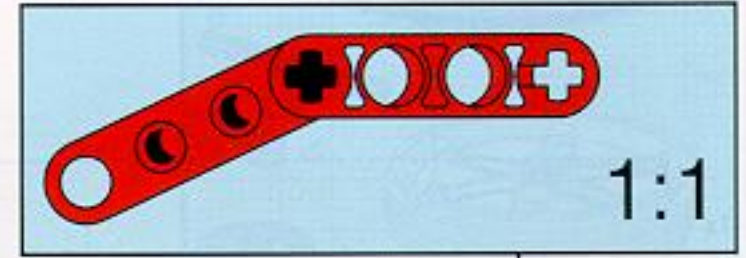
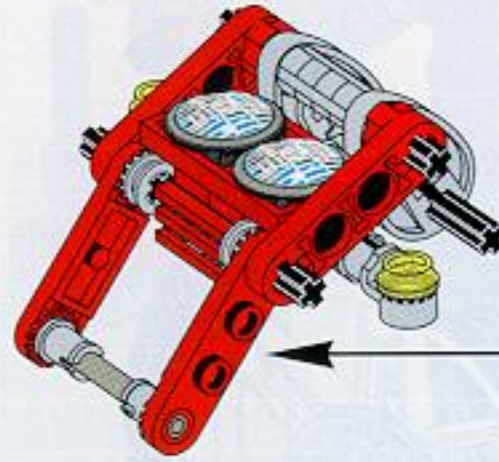
9



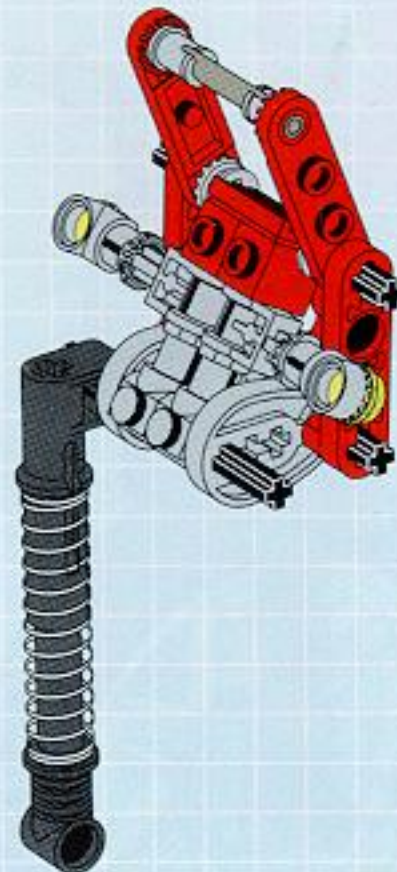
10

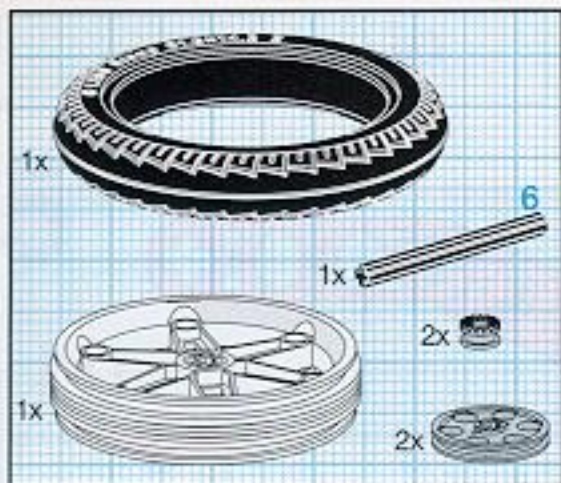


9

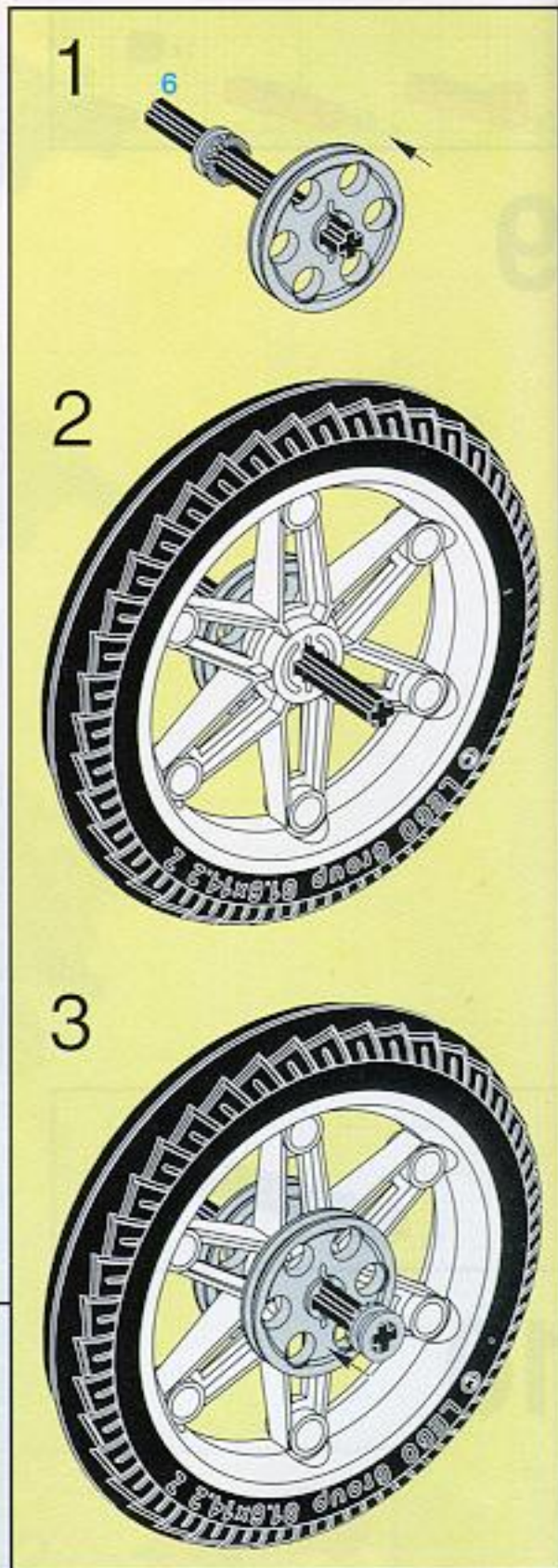
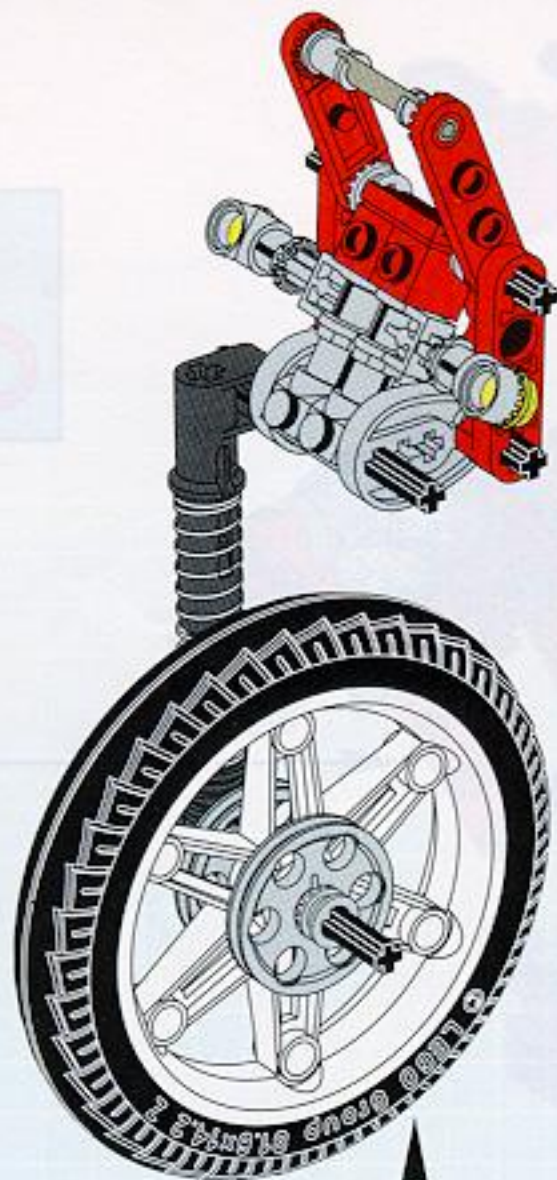


10

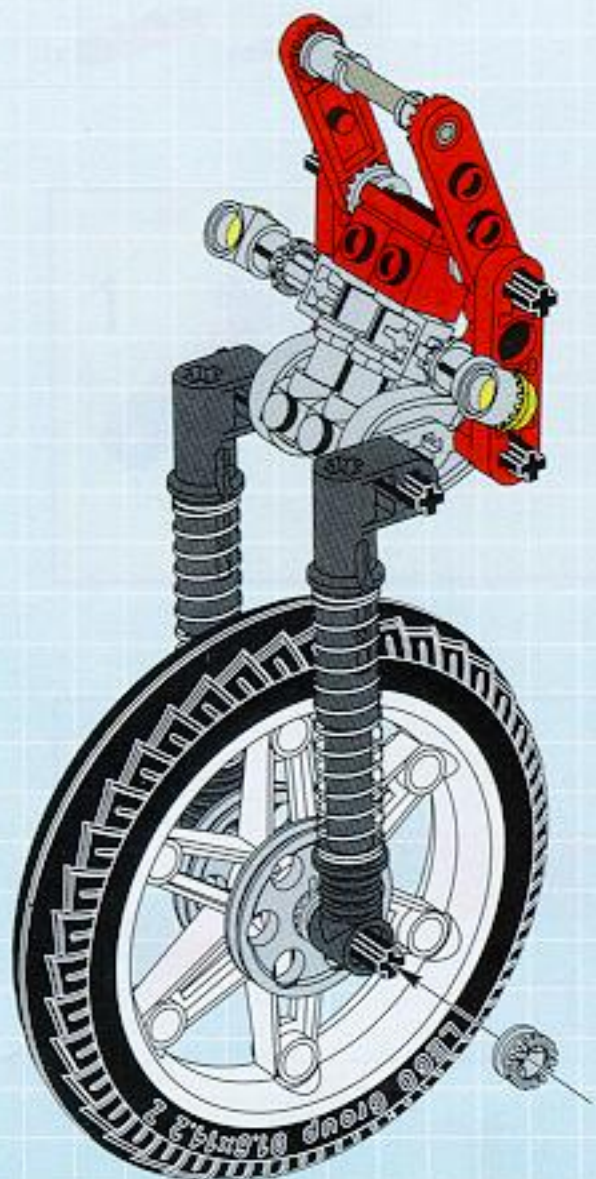


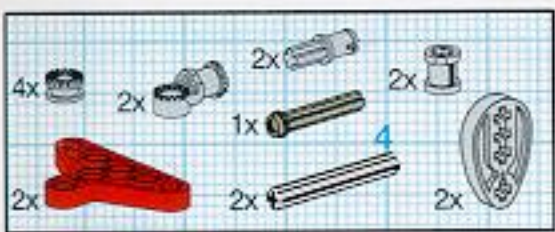


11

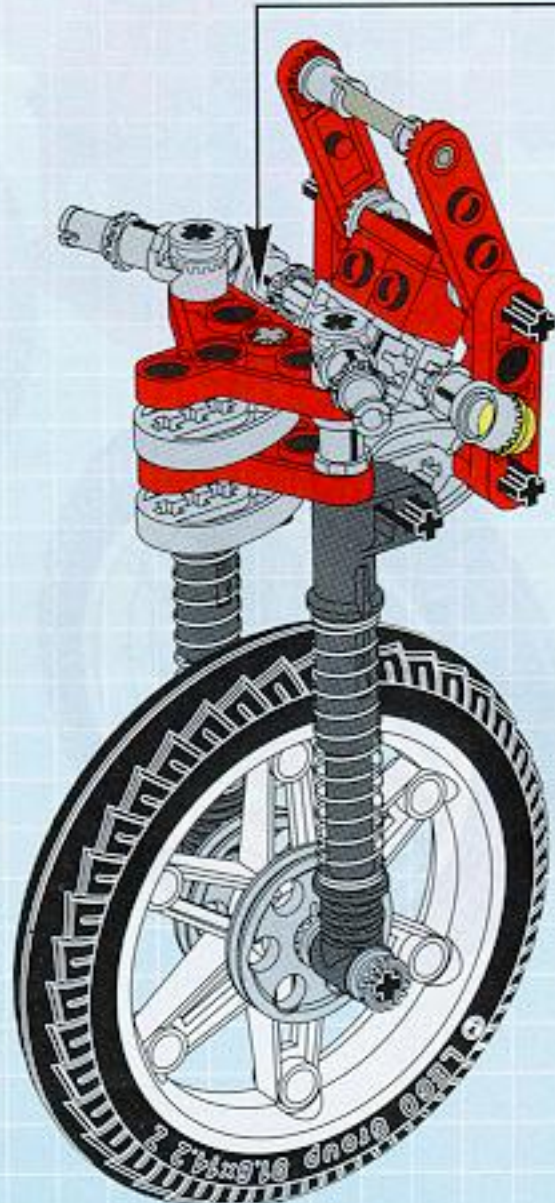
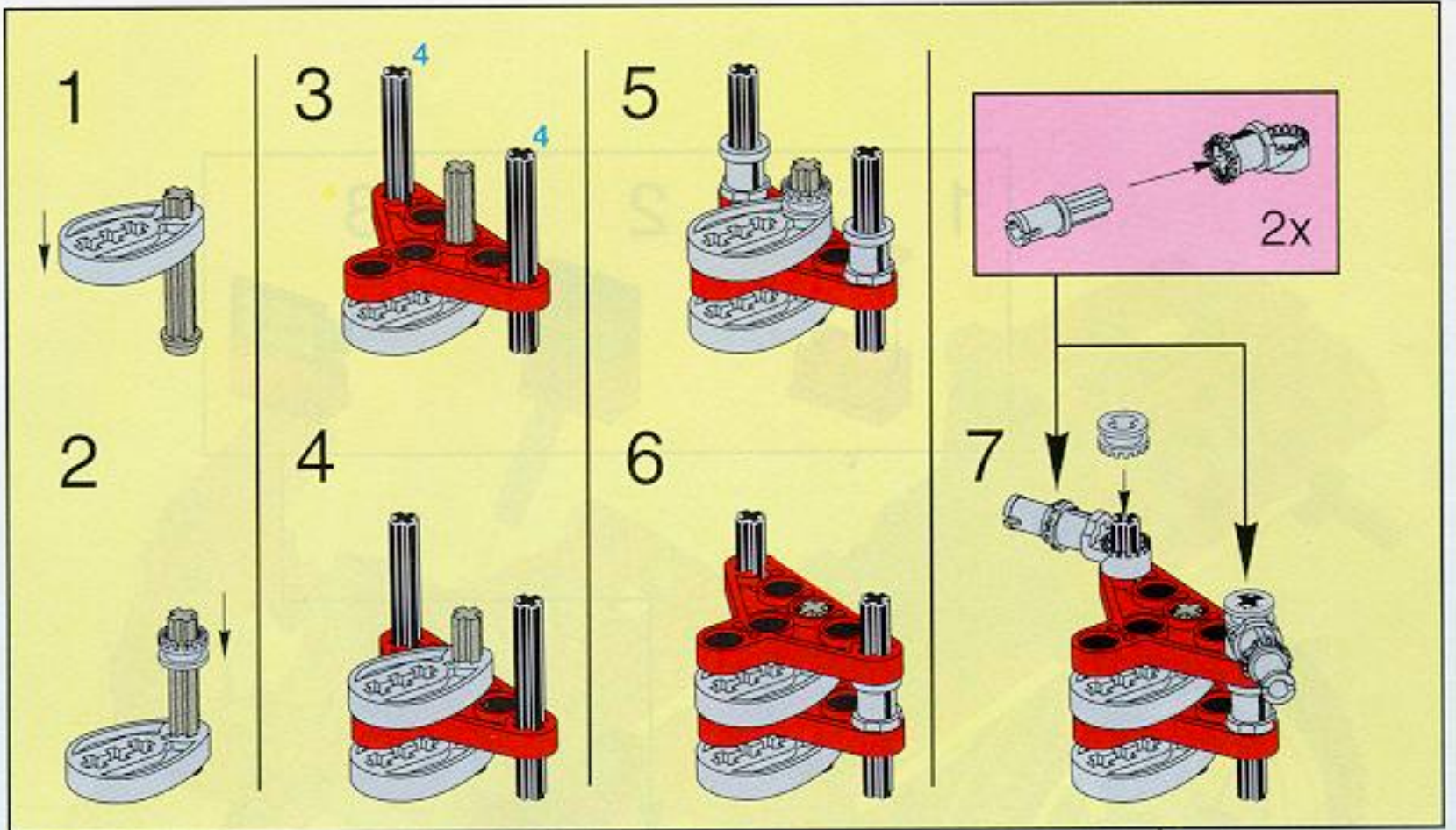


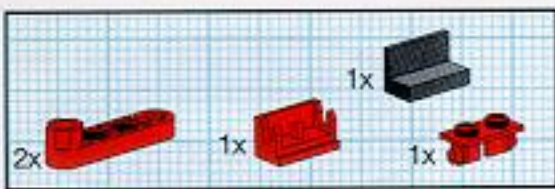
12



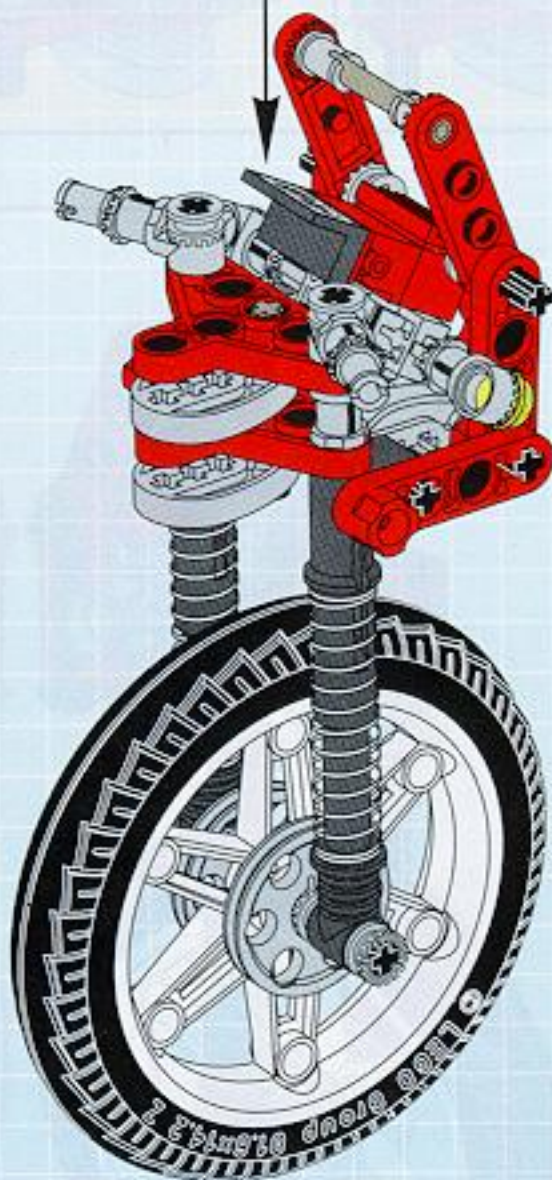
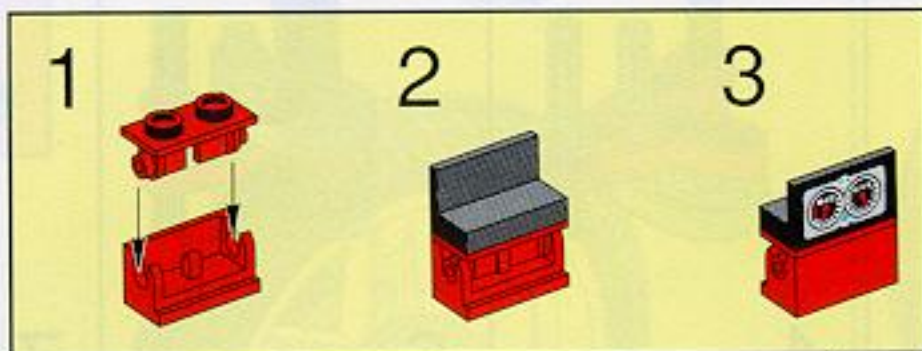


13



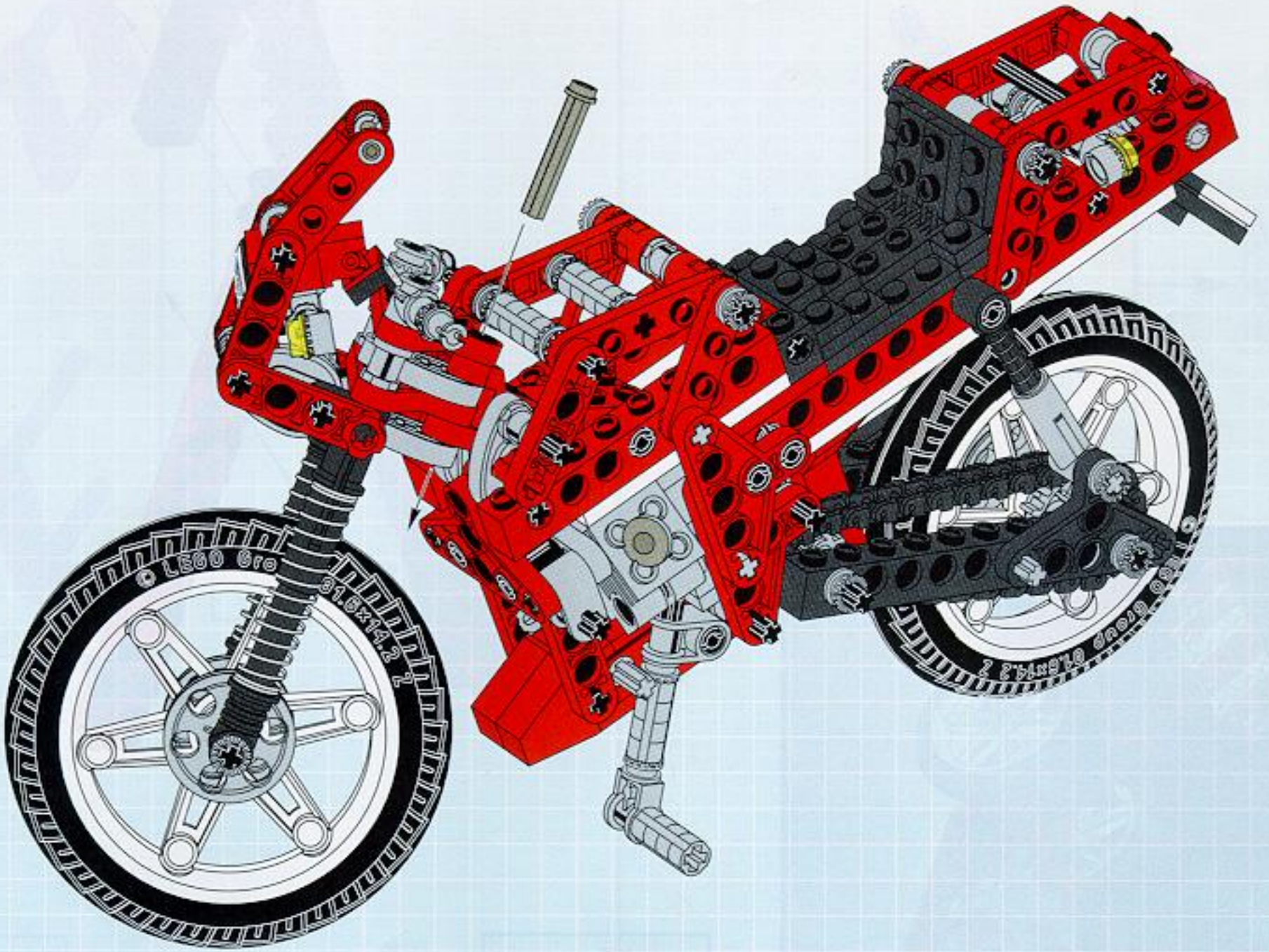


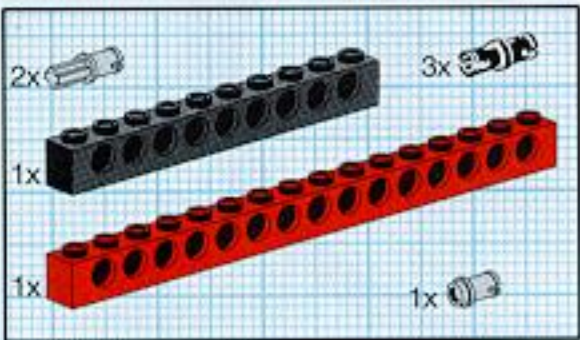
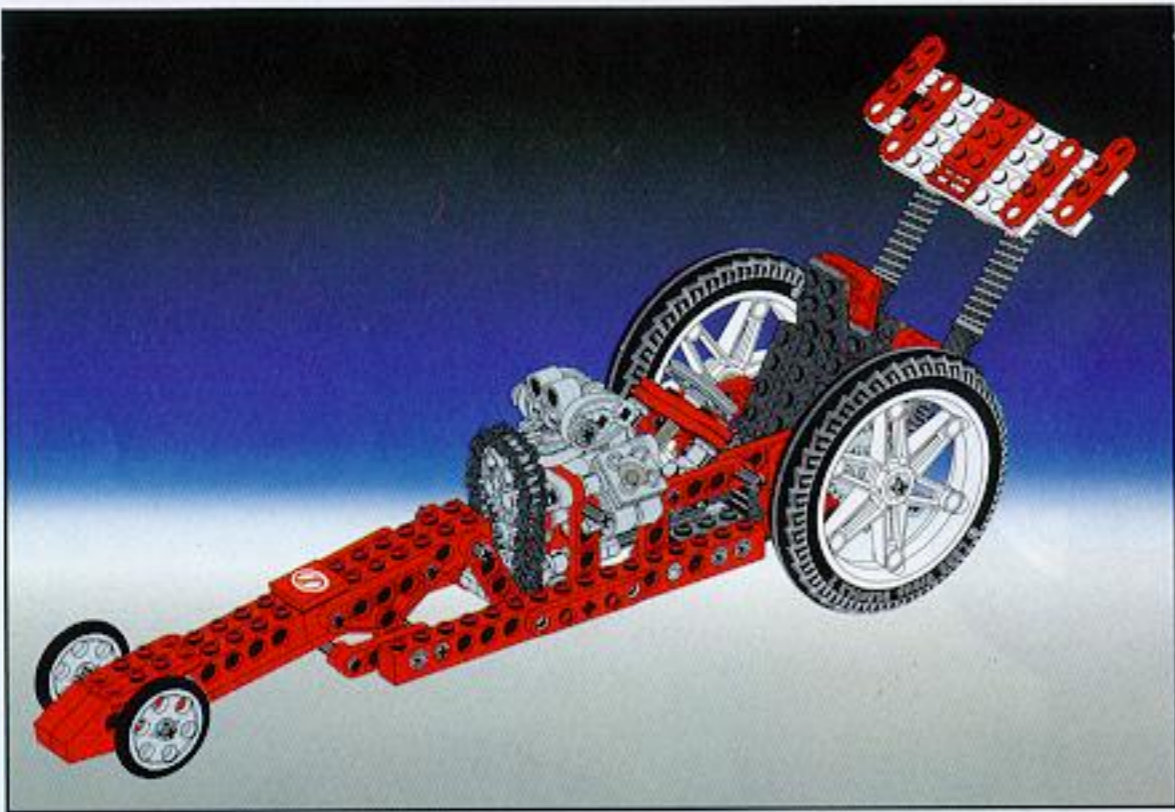
14



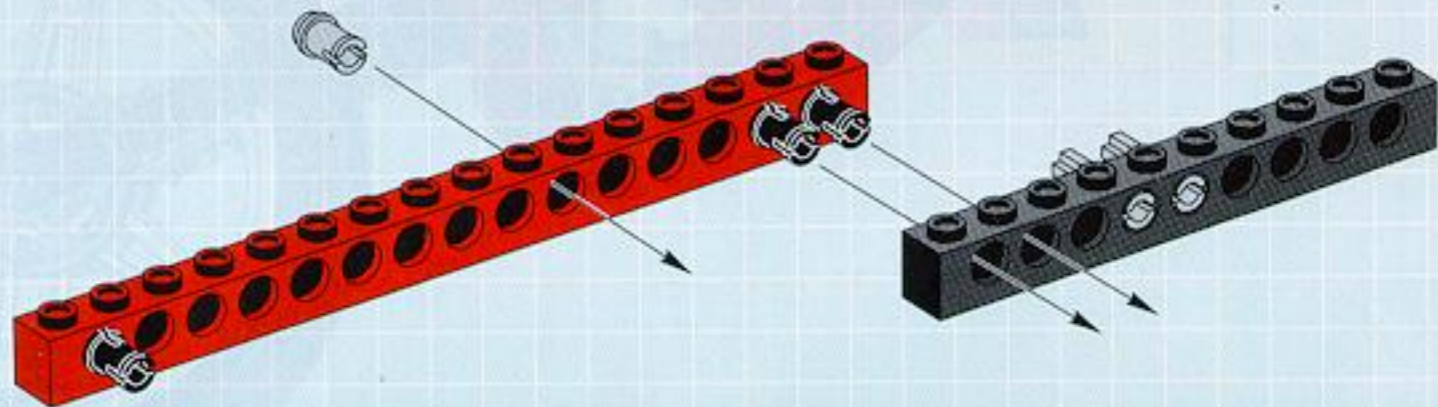


25

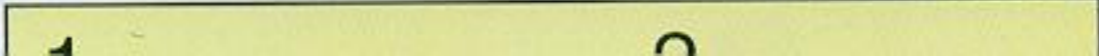


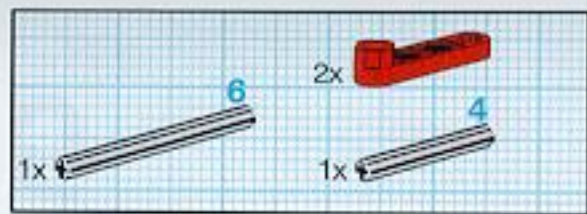


1

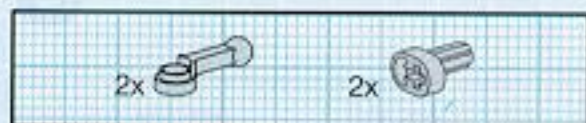
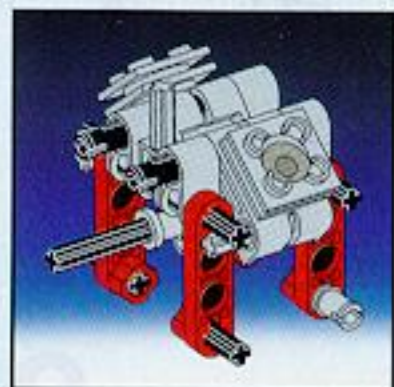
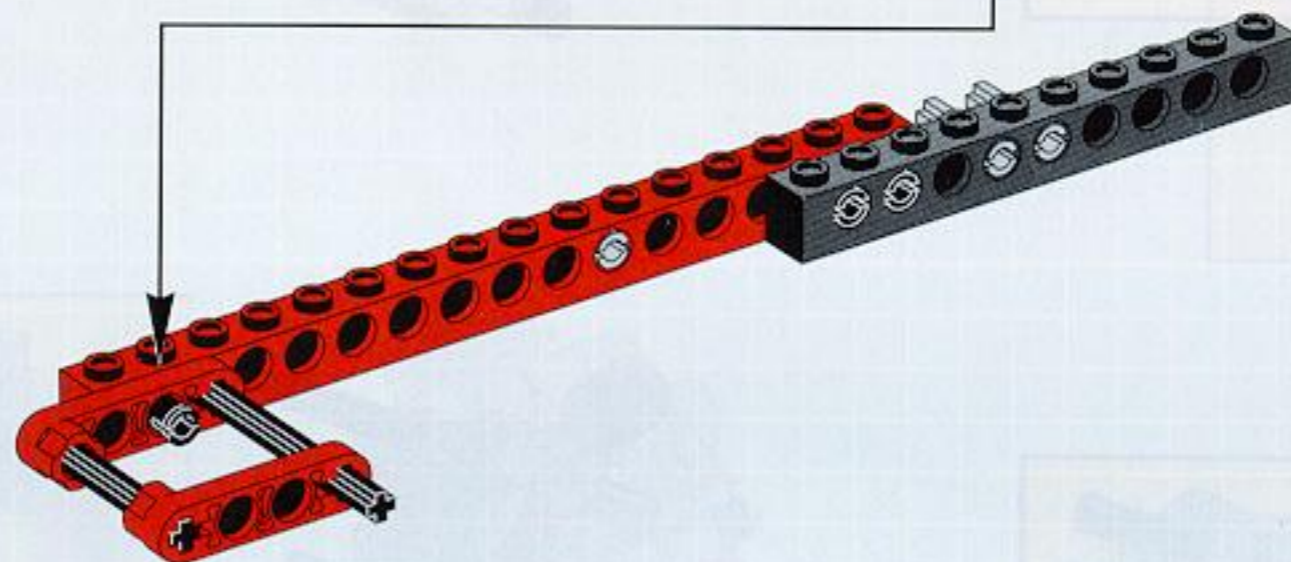
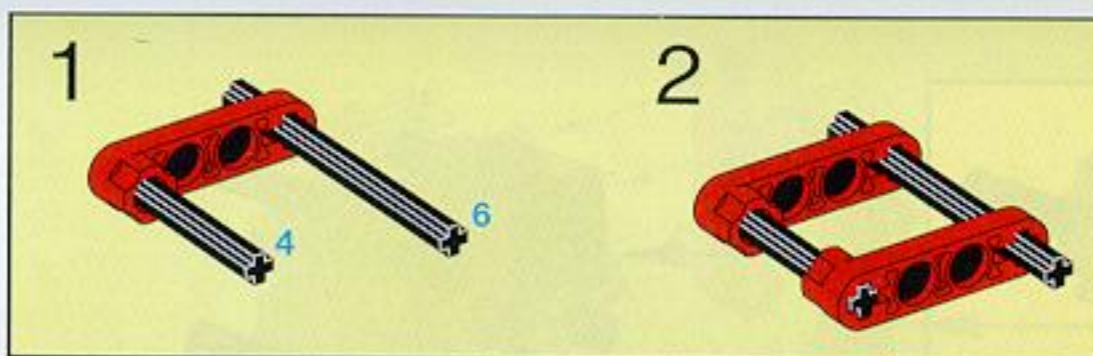


14

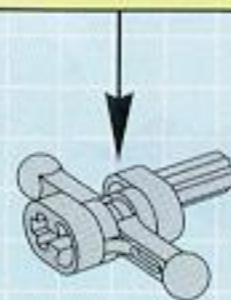
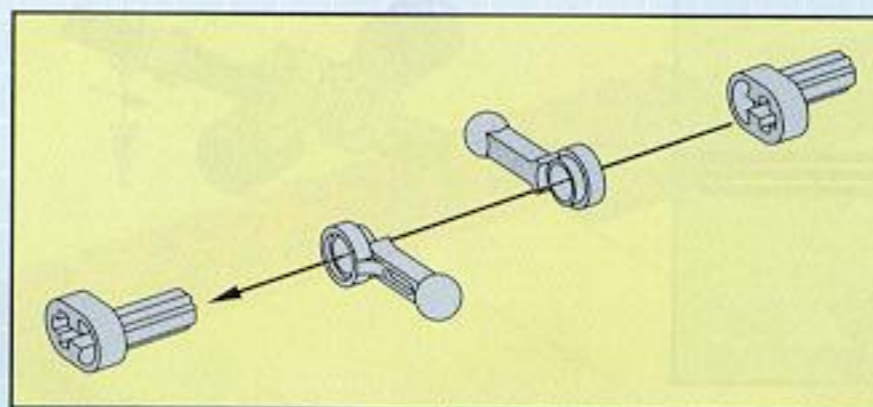




2

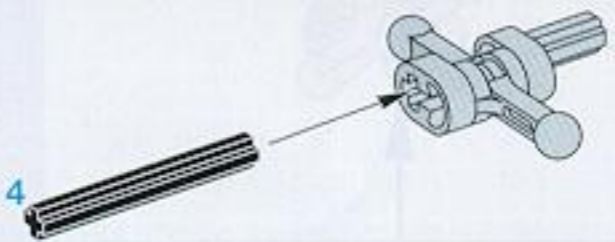


1

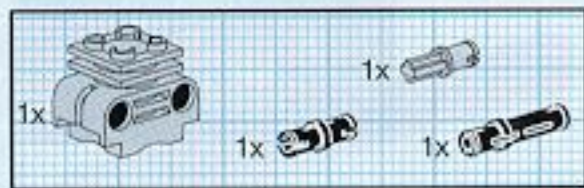
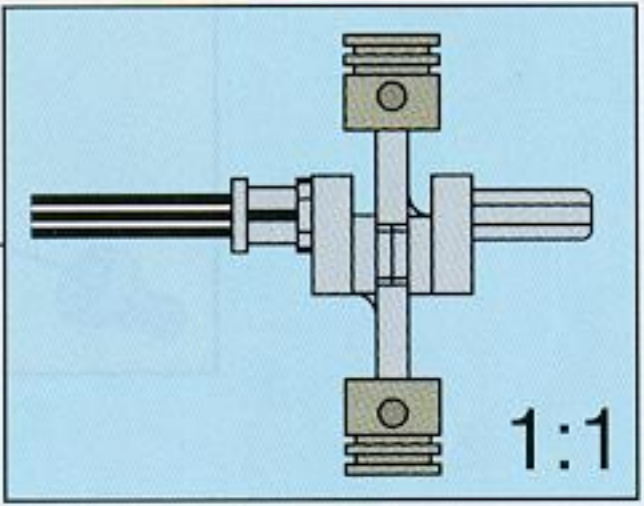
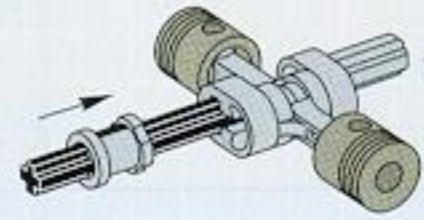




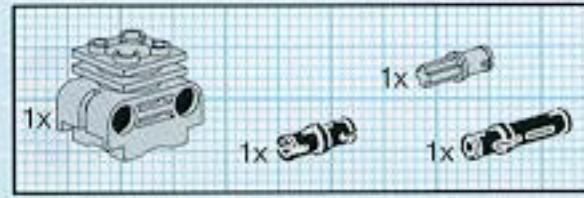
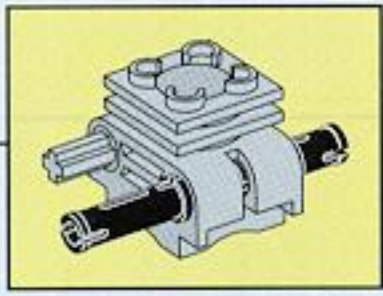
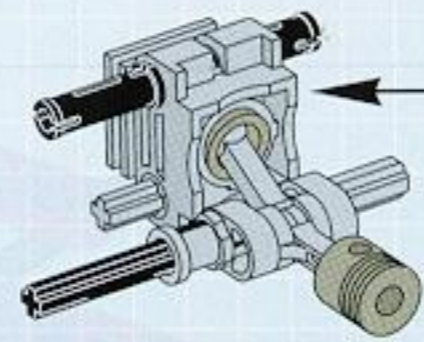
2



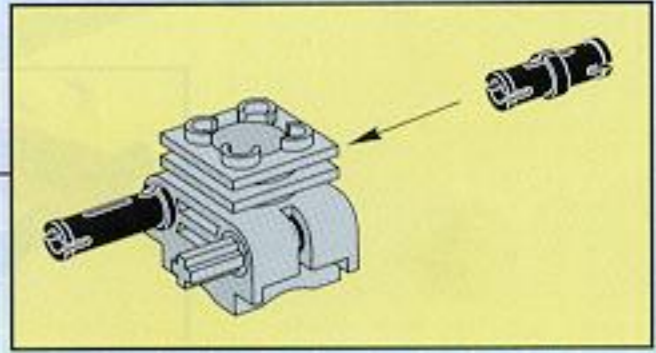
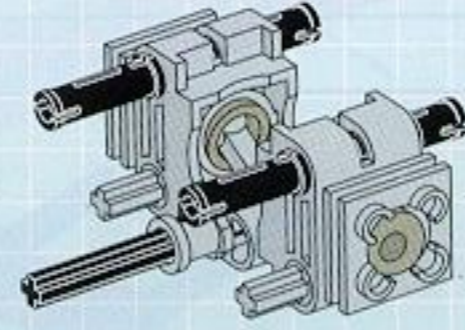
3

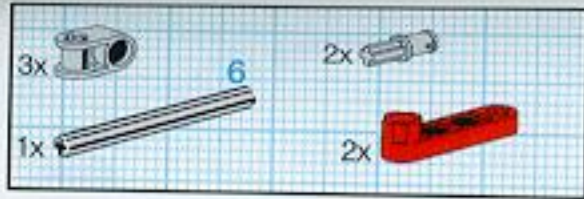


4

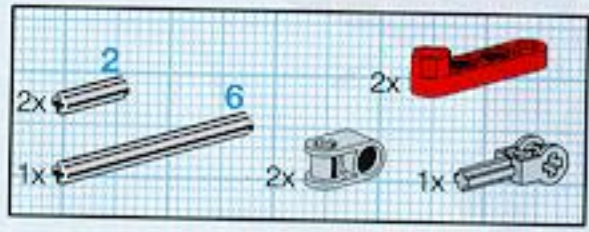
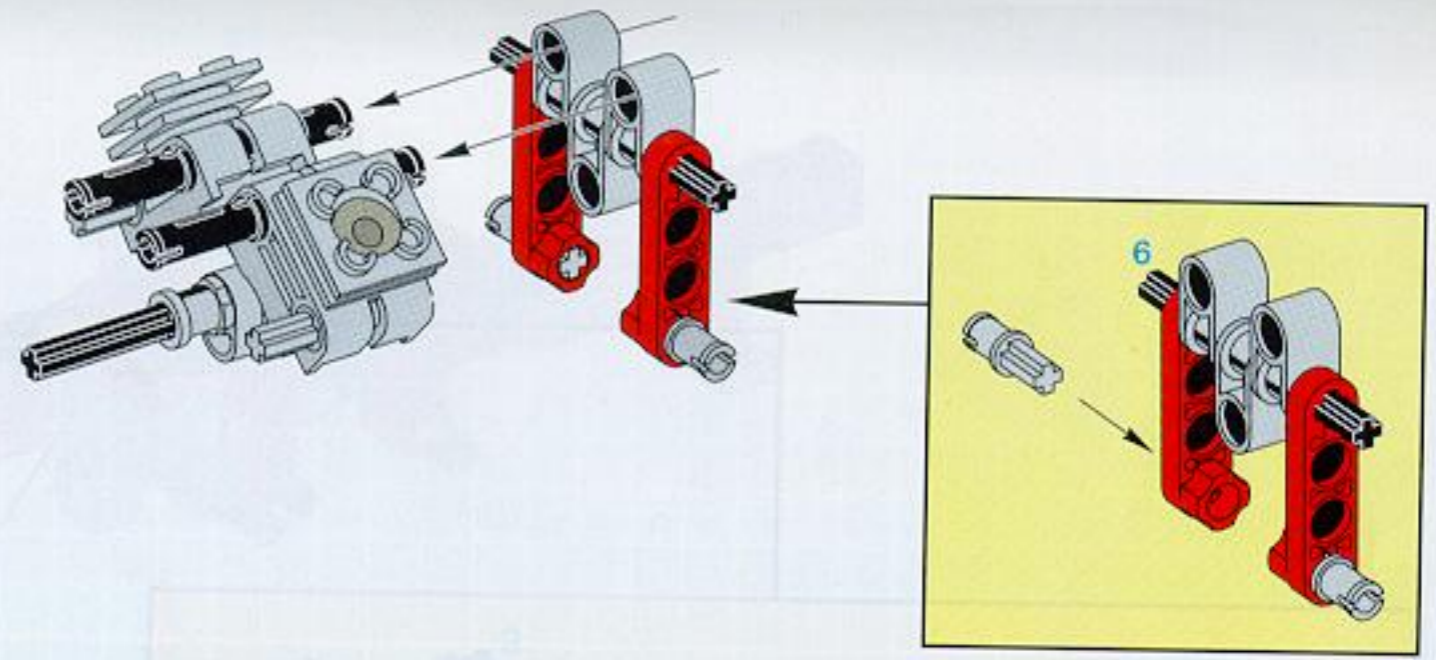


5

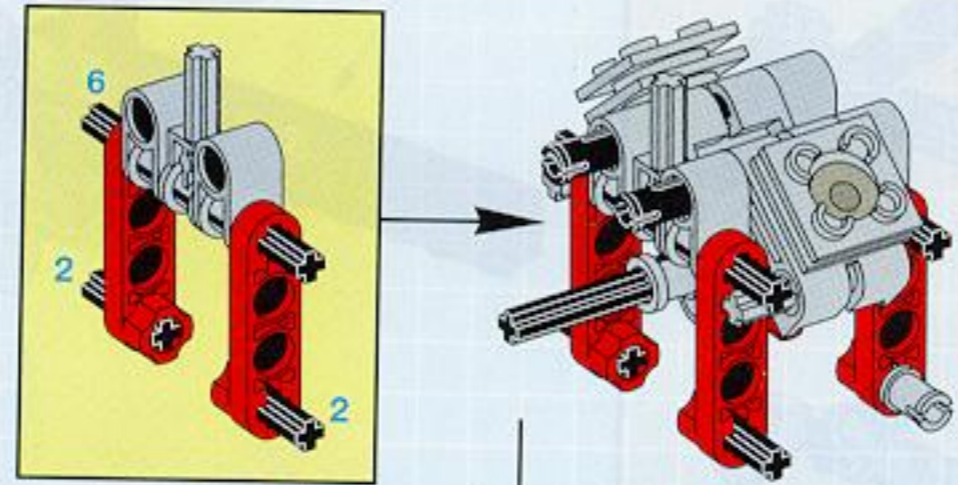




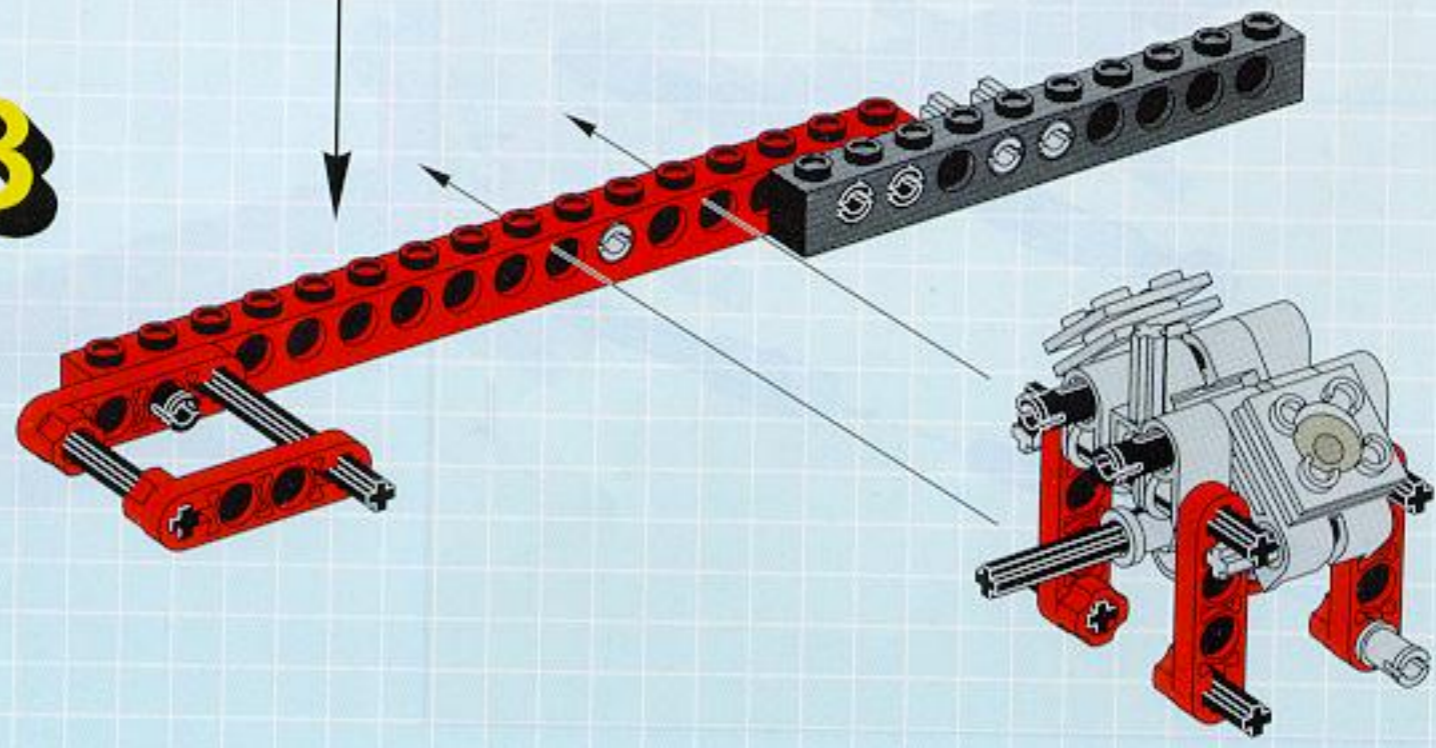
6



7

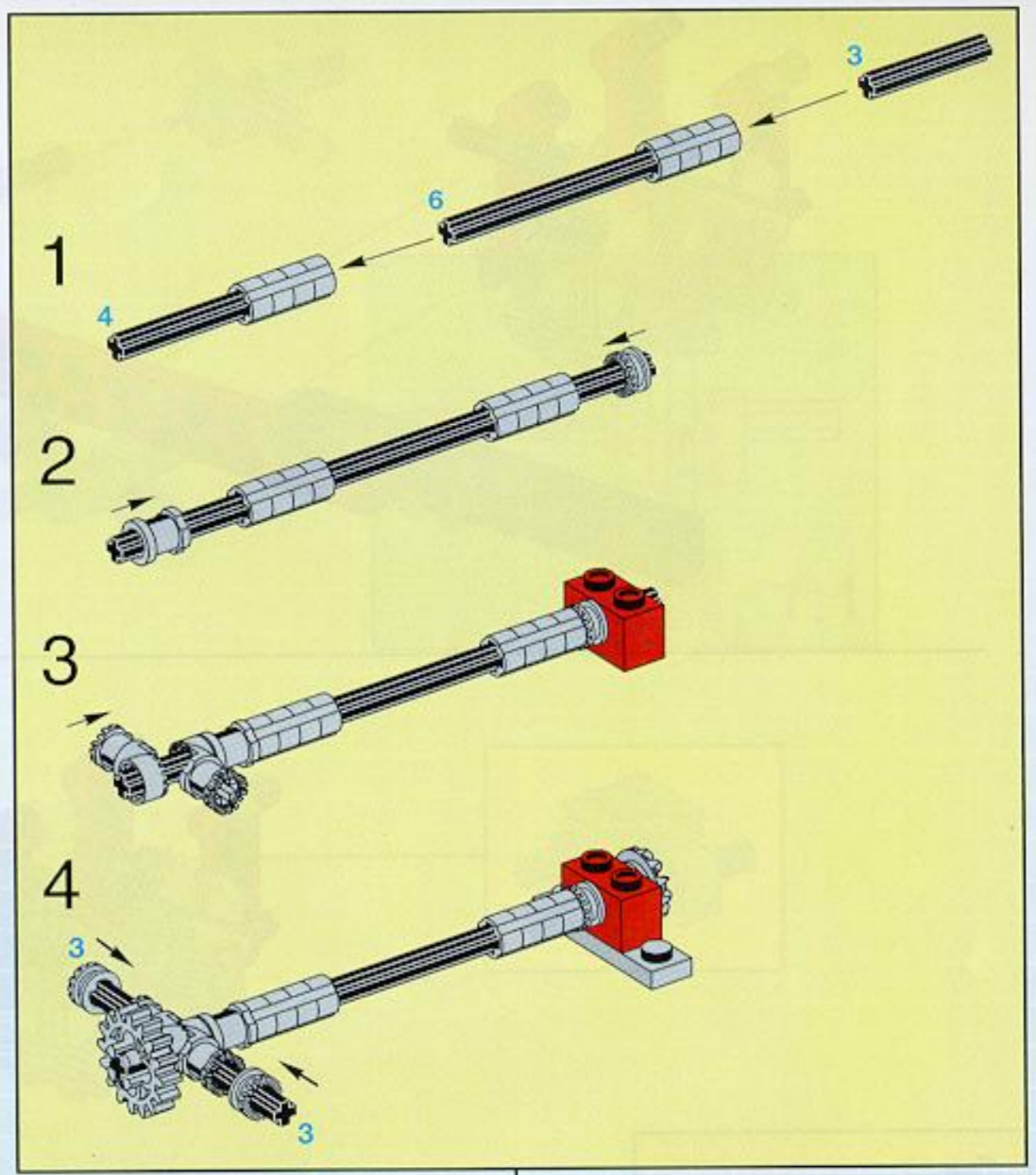
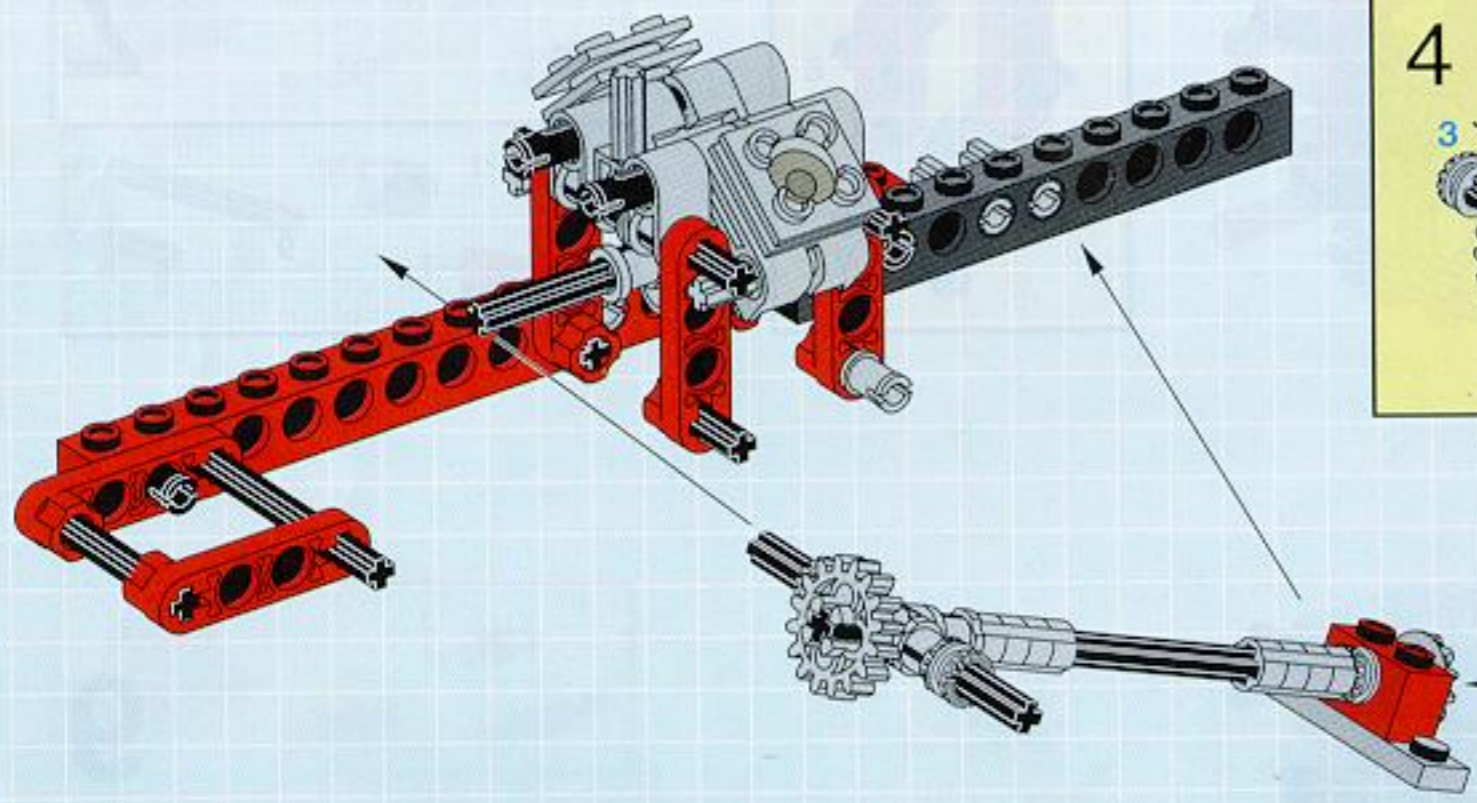


3



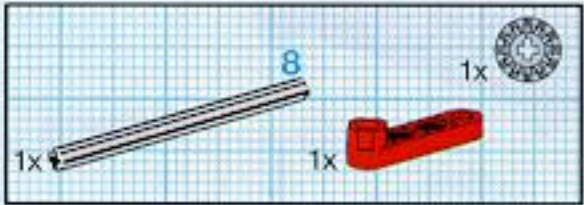
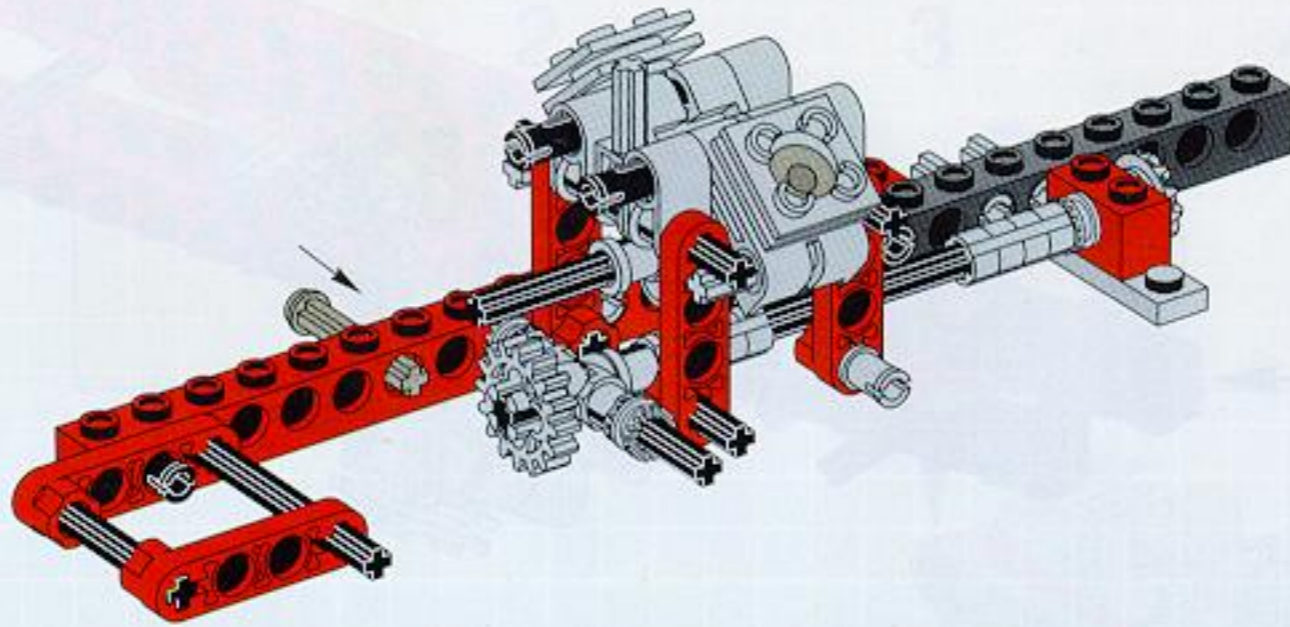
- 1x [Red 2-hole Technic brick]
- 3x [Grey Technic axle]
- 1x [Grey Technic axle]
- 1x [Grey Technic axle]
- 1x [Grey 24-tooth gear]
- 2x [Grey Technic axle]
- 1x [Grey Technic axle]
- 3x [Grey Technic bush]
- 1x [Grey Technic bush]
- 2x [Grey Technic bush]
- 1x [Grey Technic bush]
- 1x [Grey Technic axle]

4

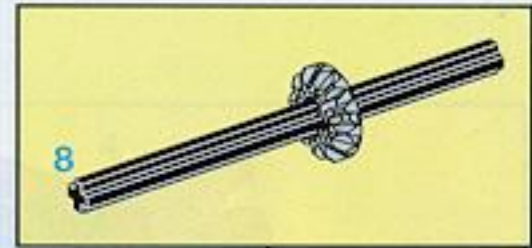
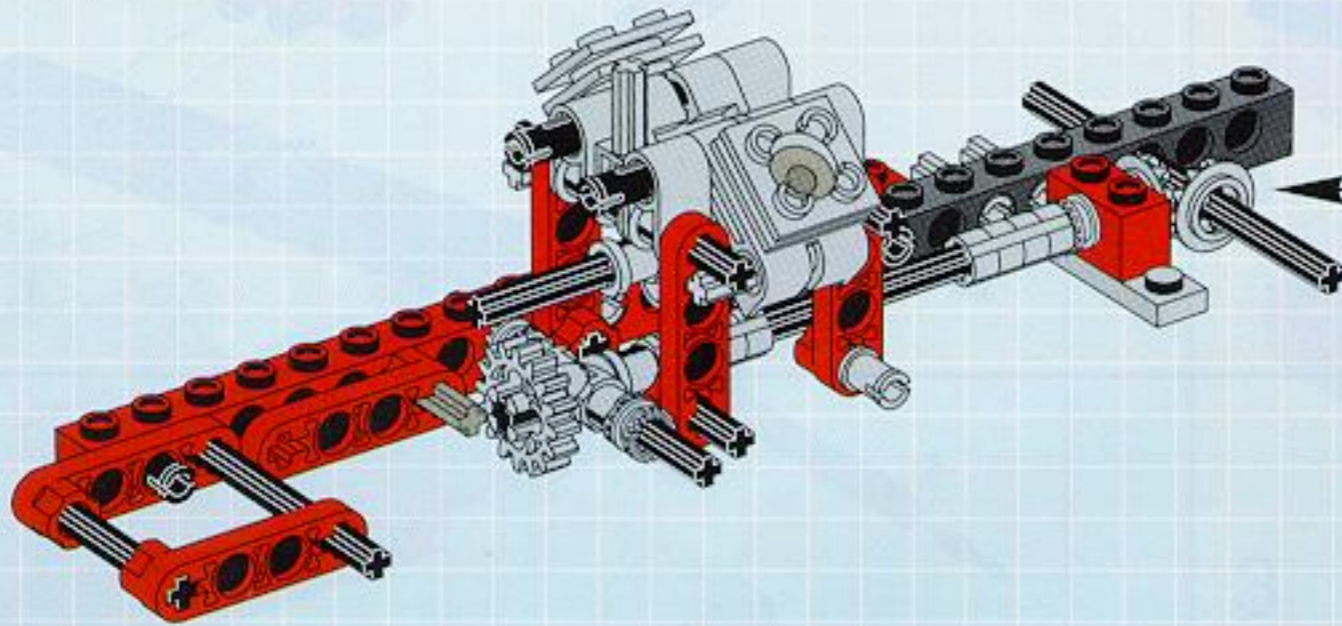


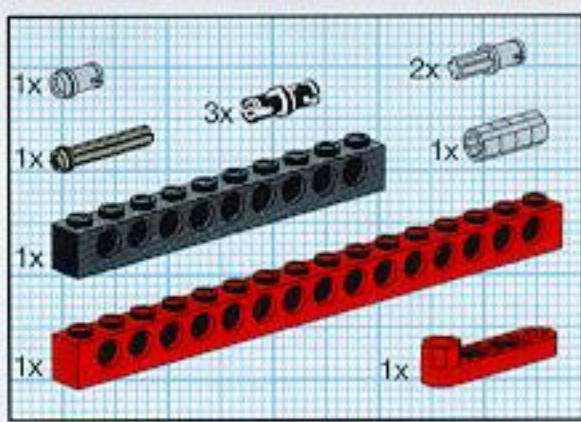


5

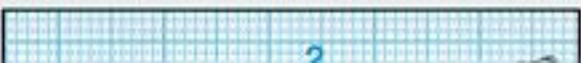
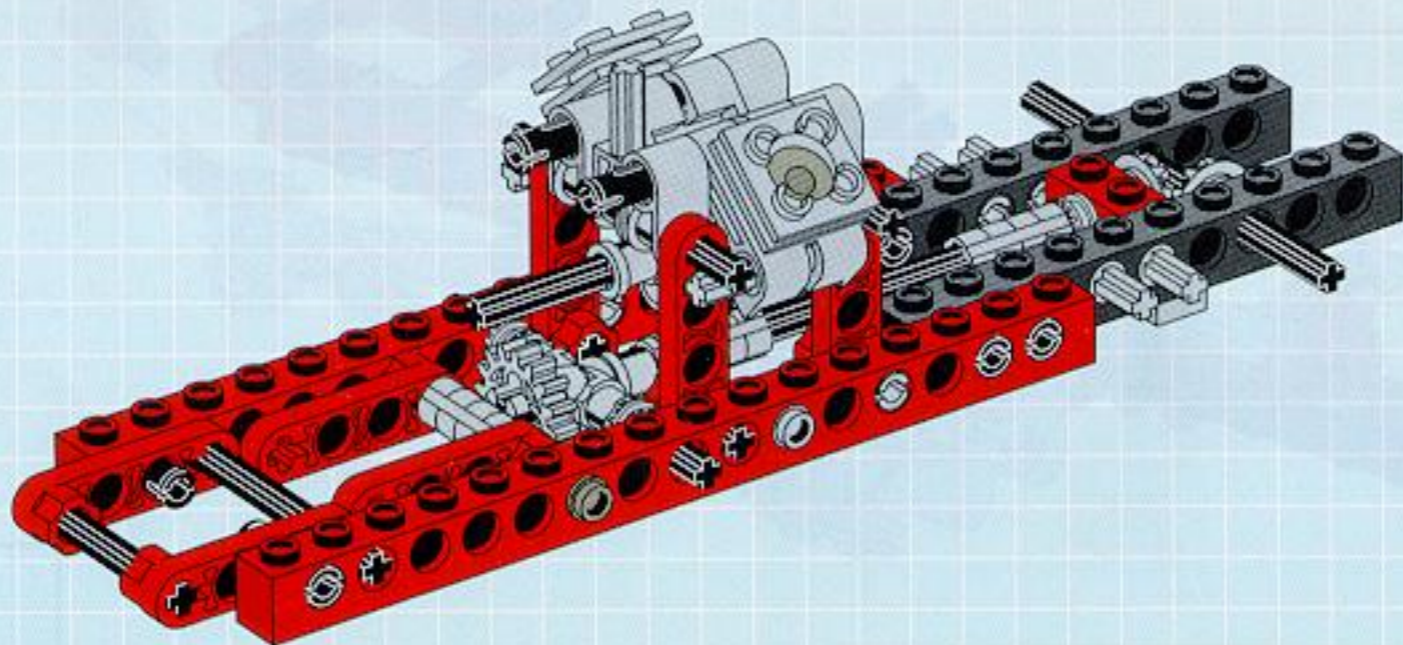
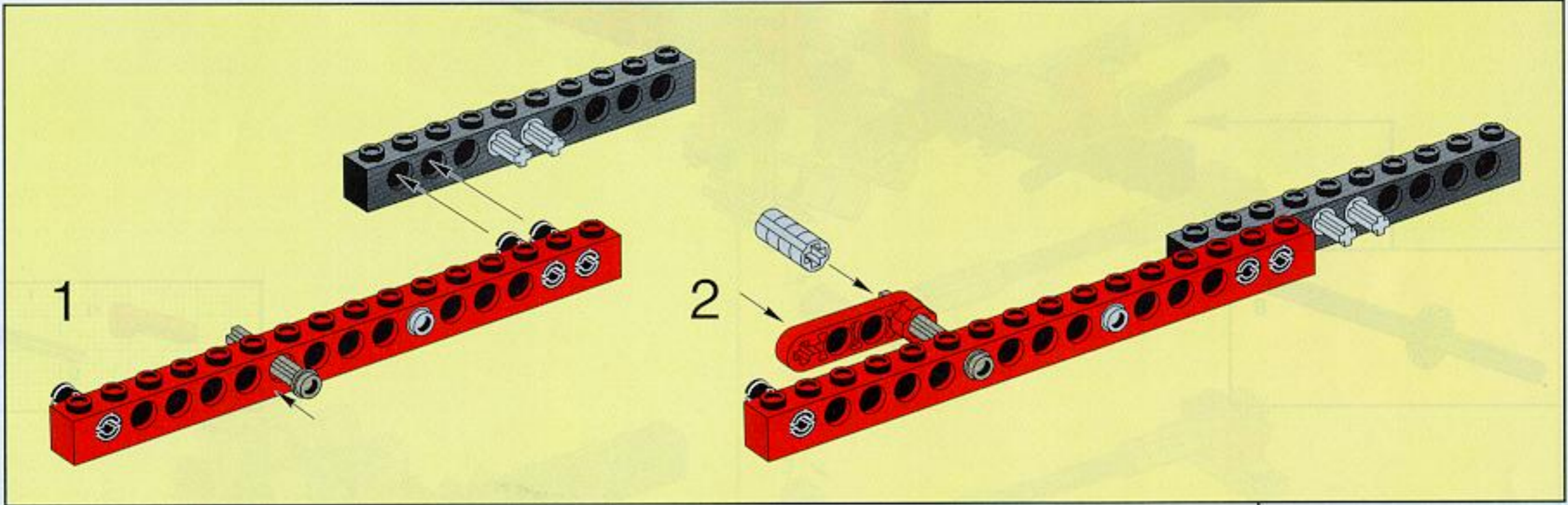


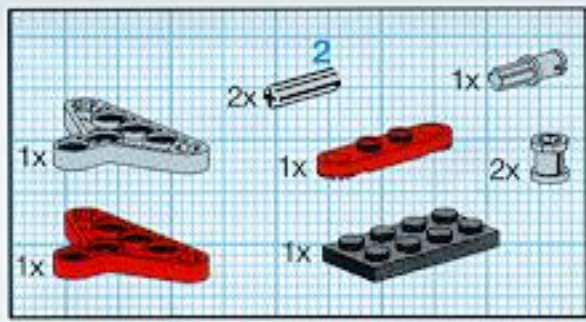
6



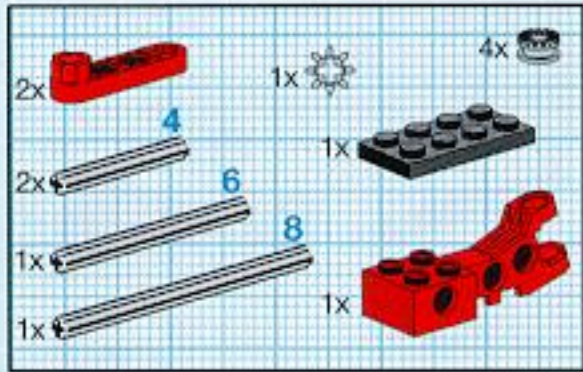
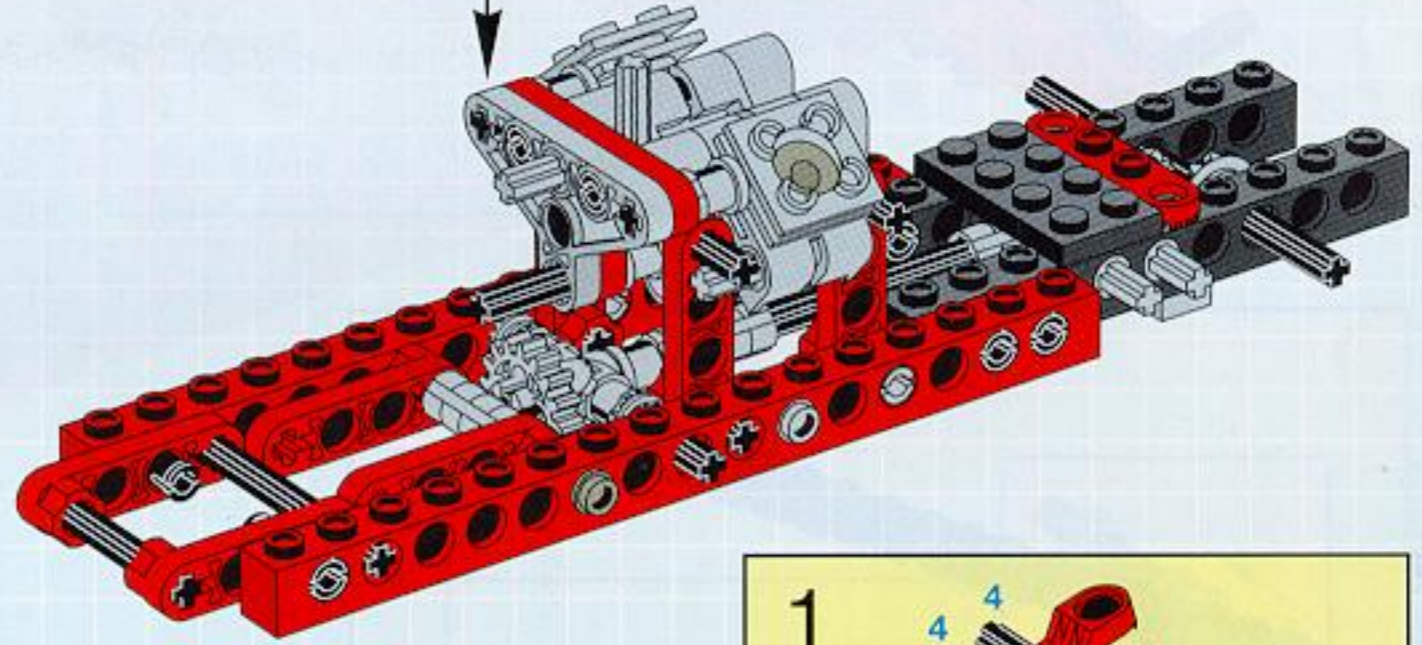
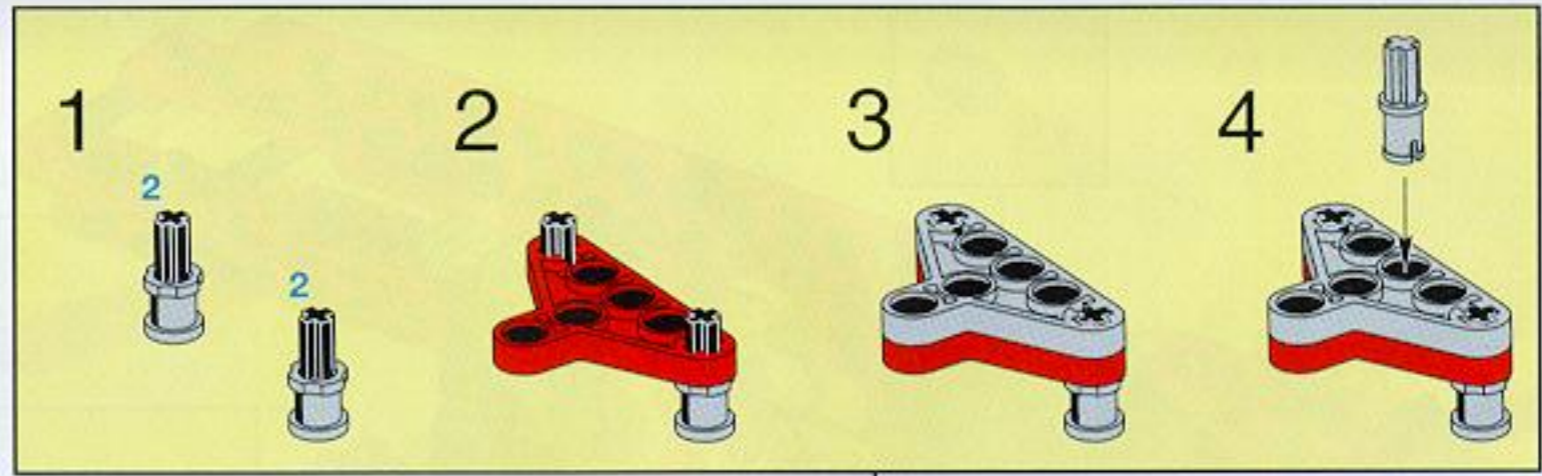


7

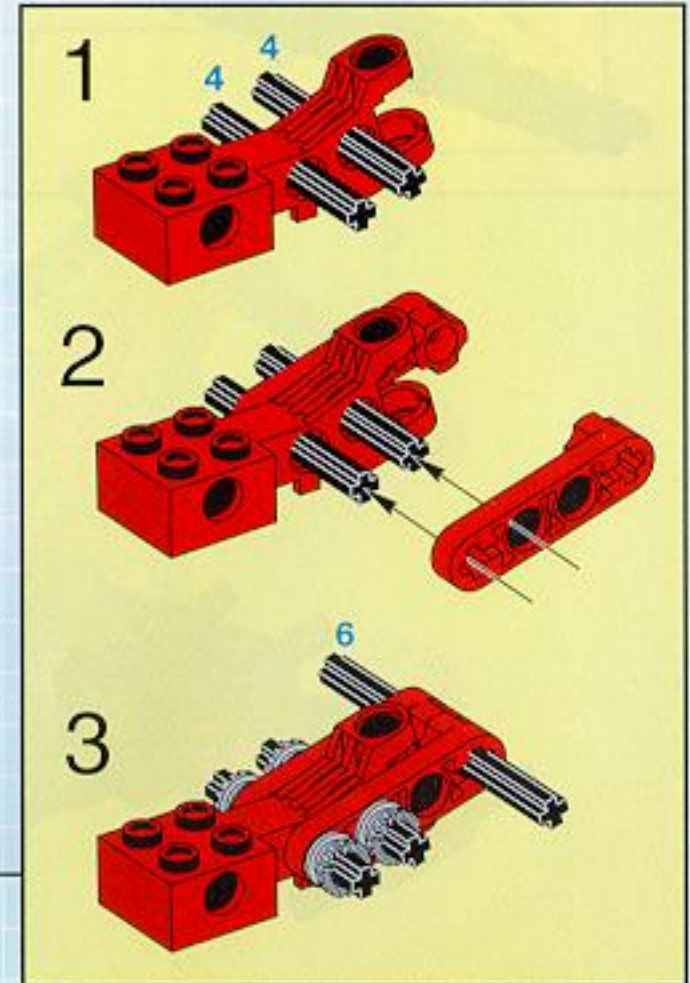
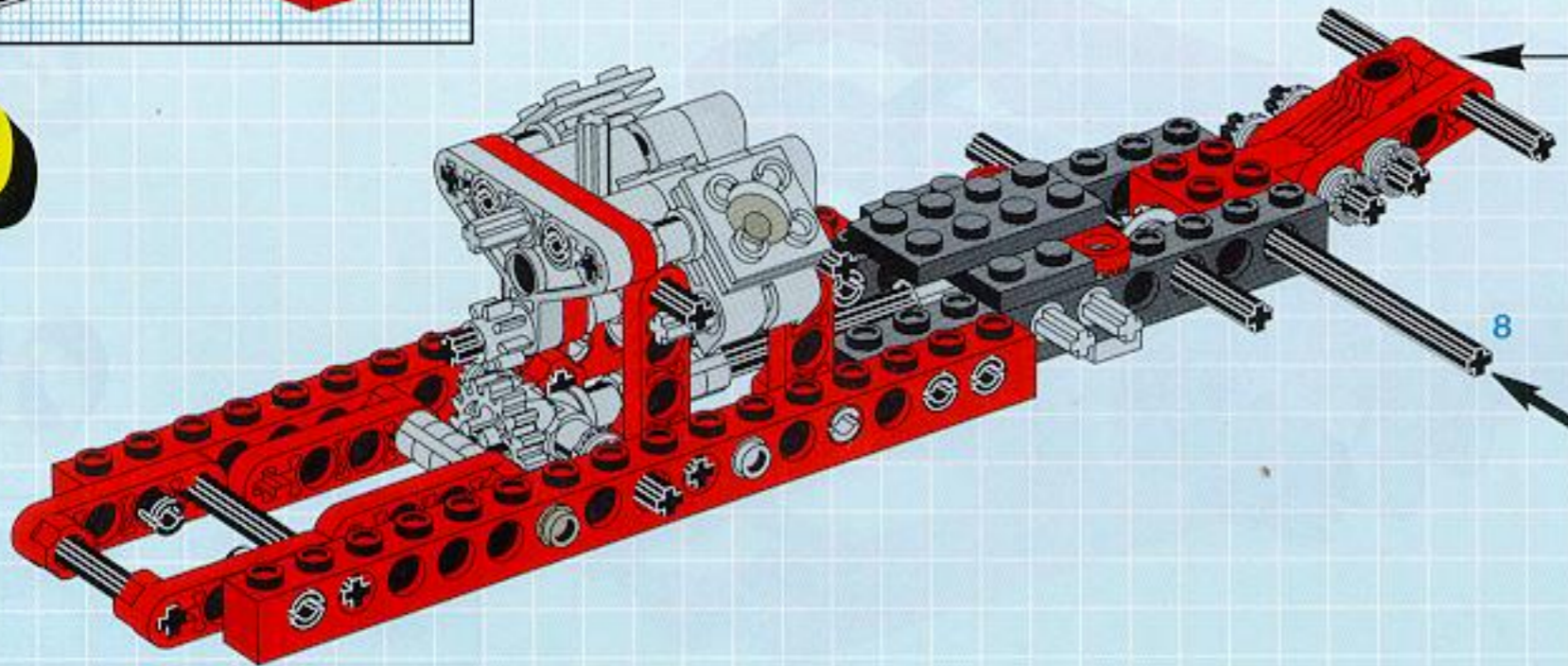




8

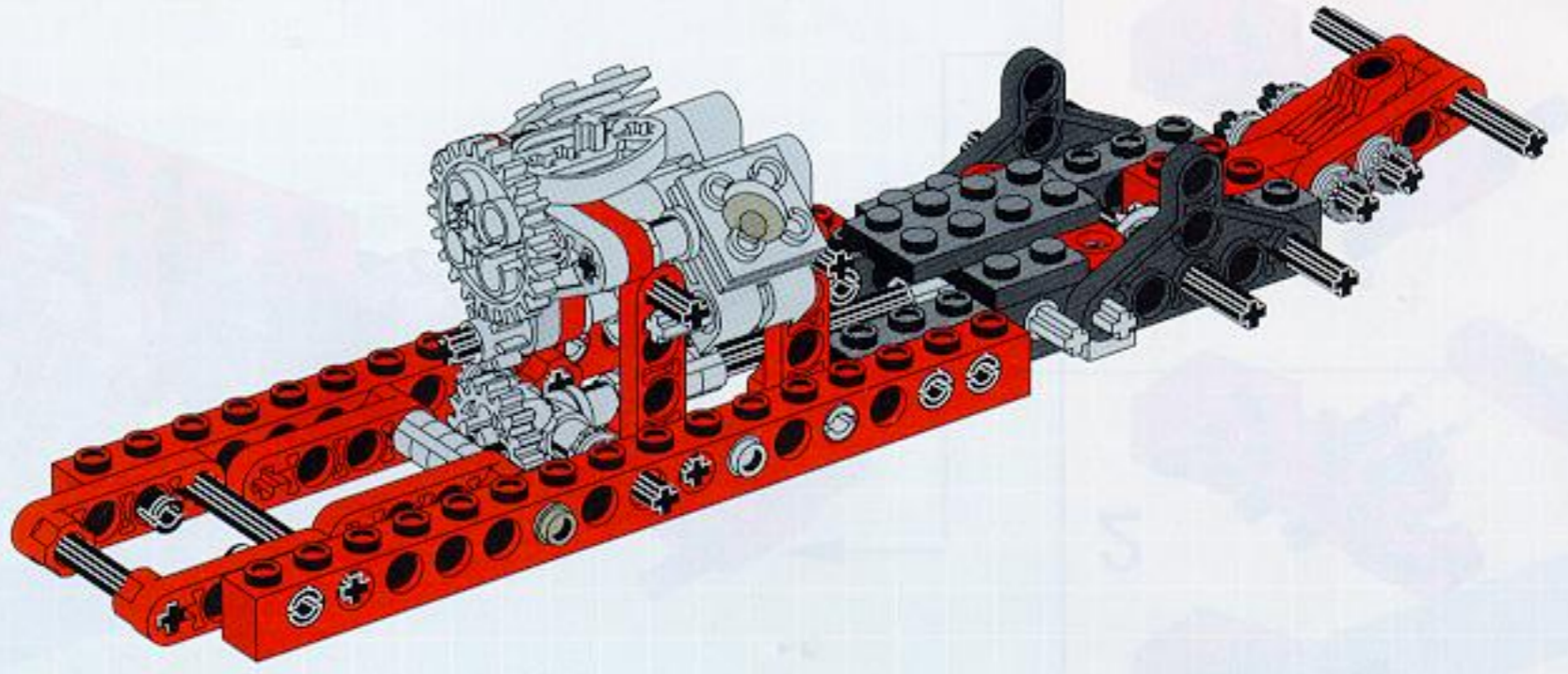


9

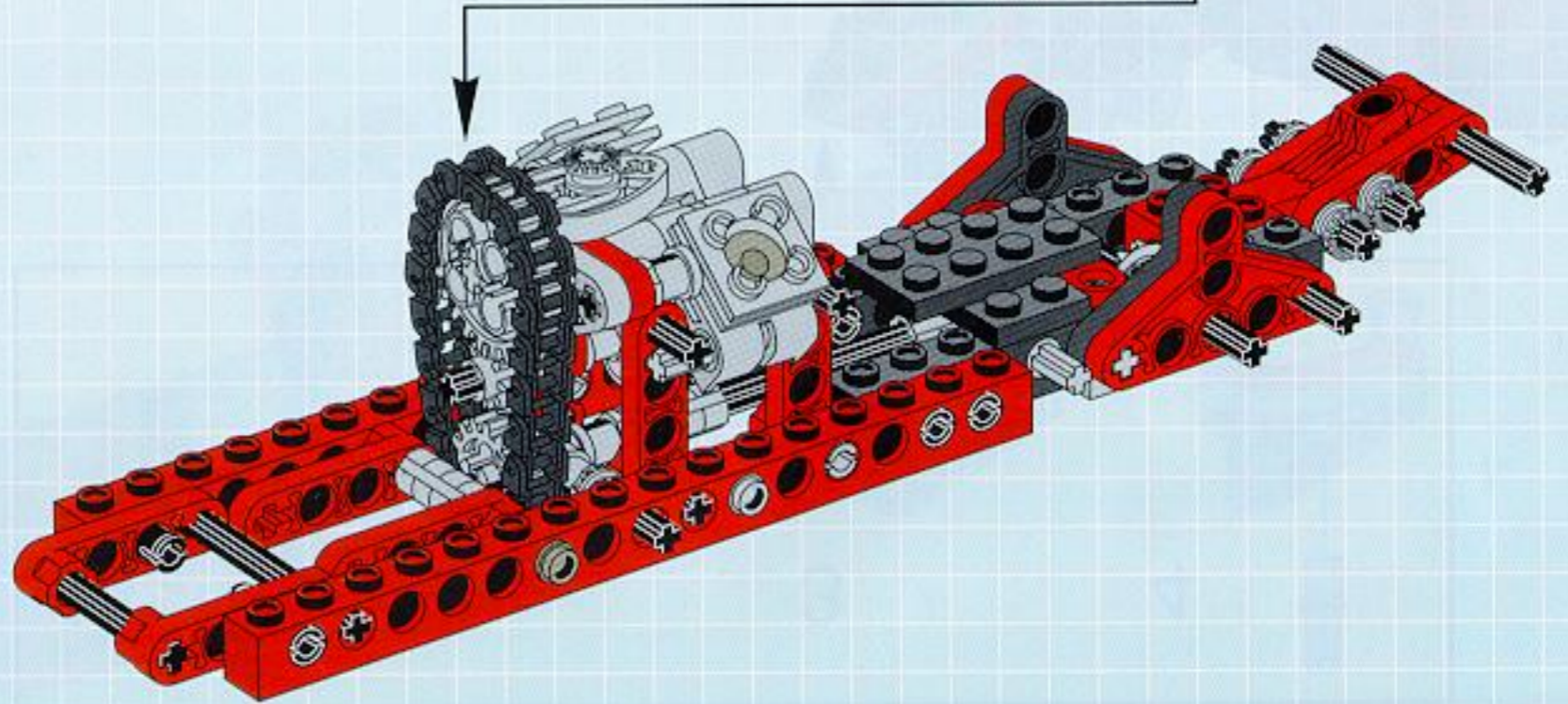
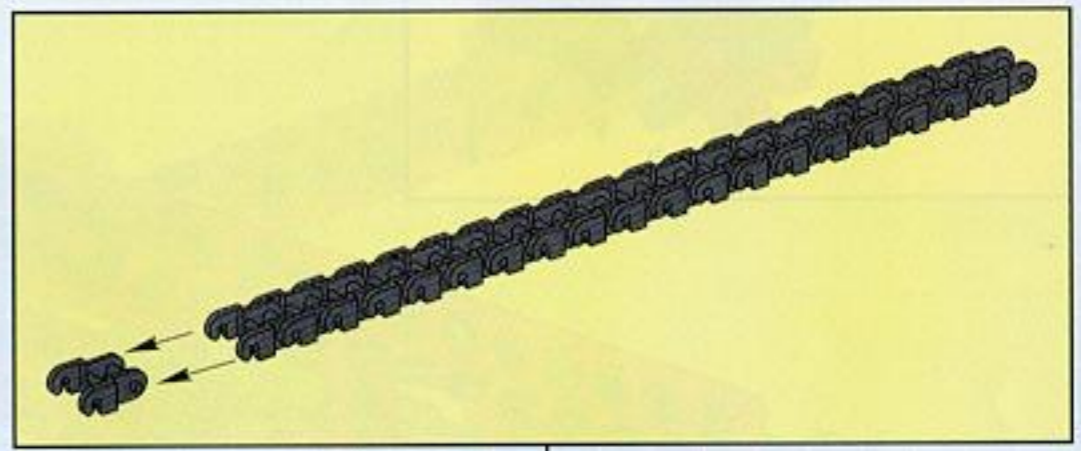


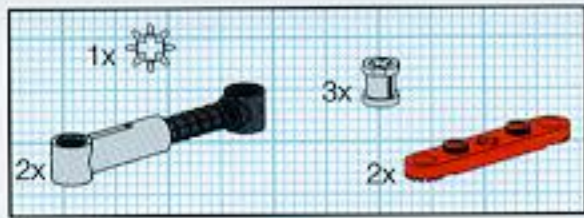


10

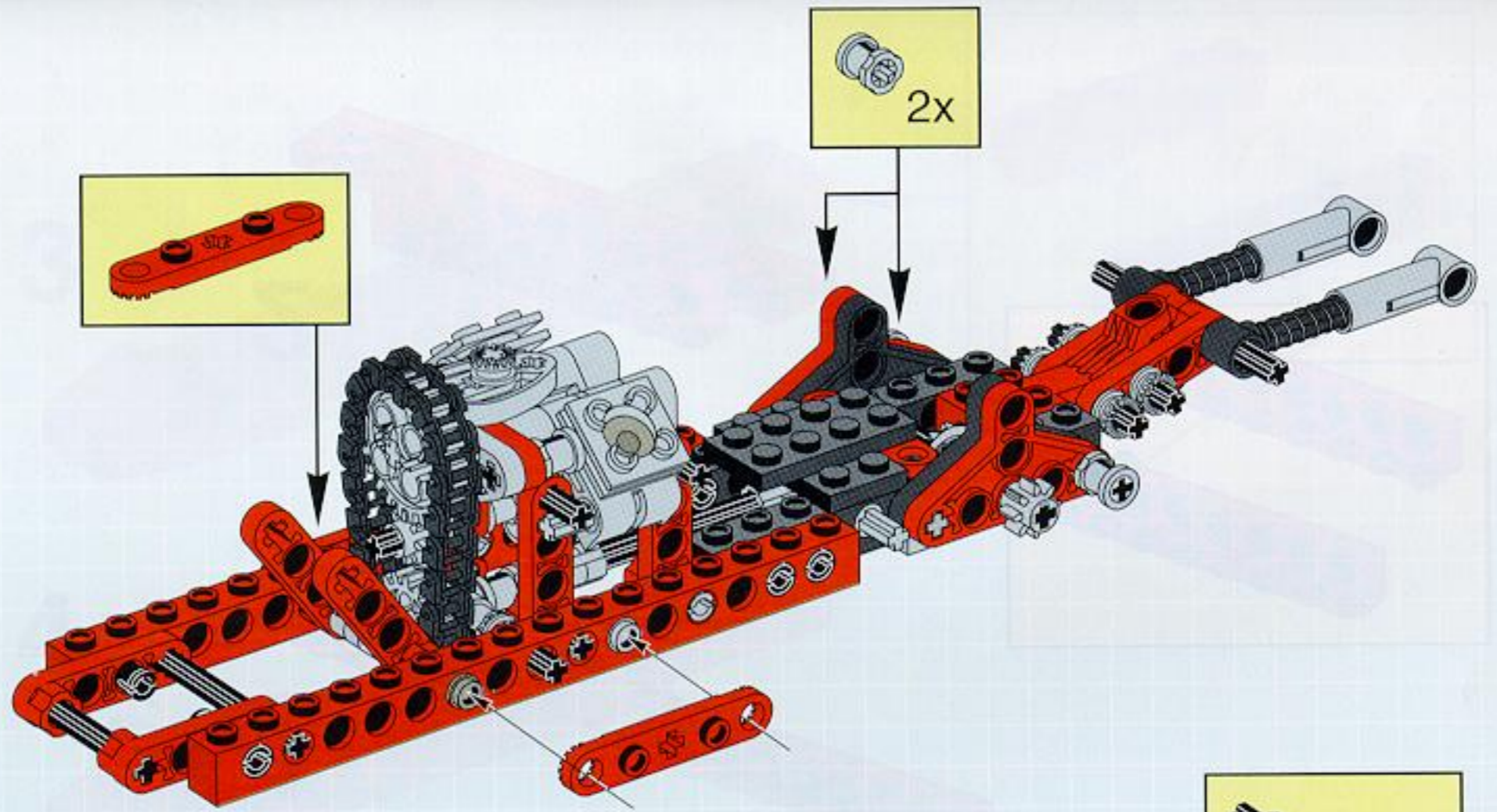


11

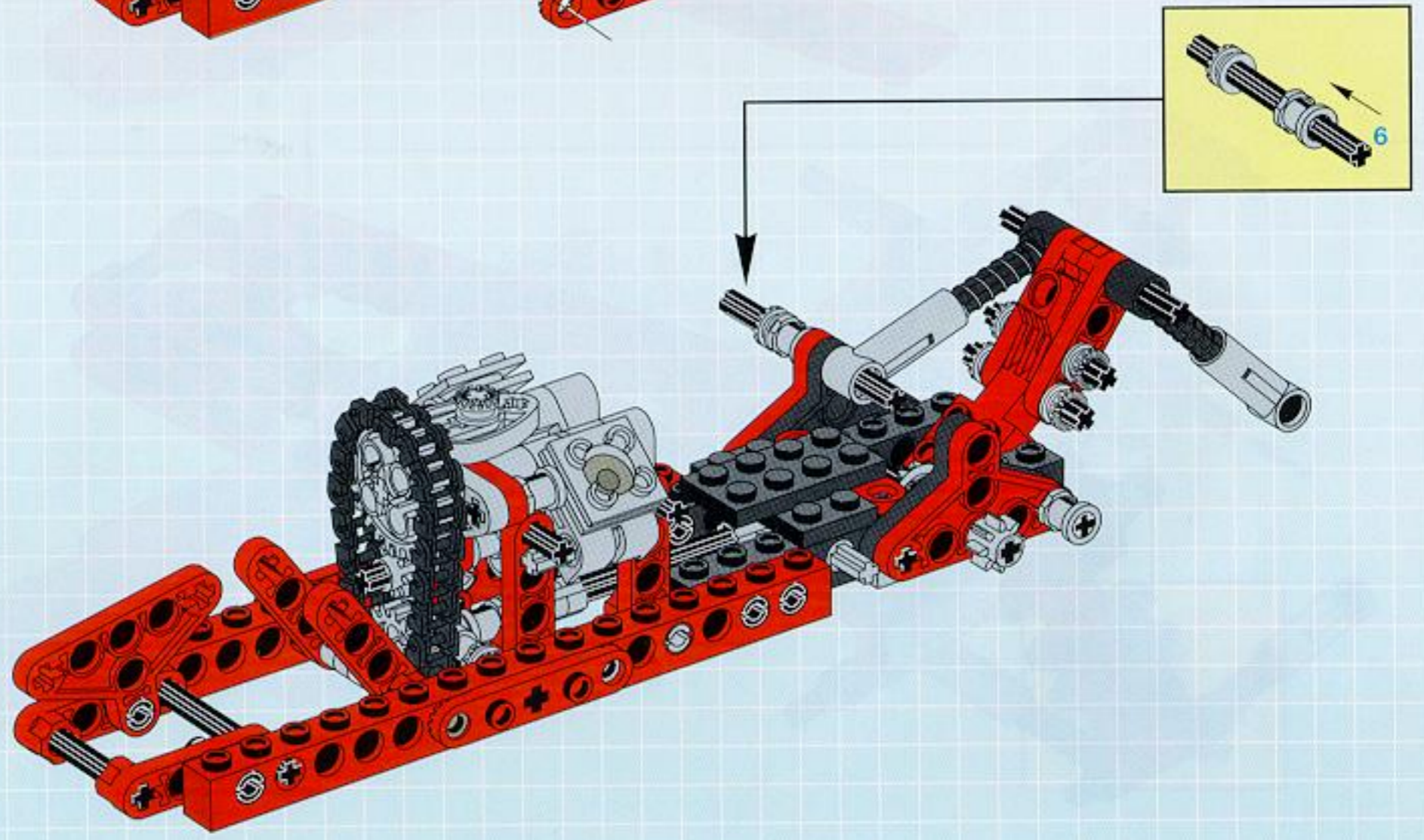




12

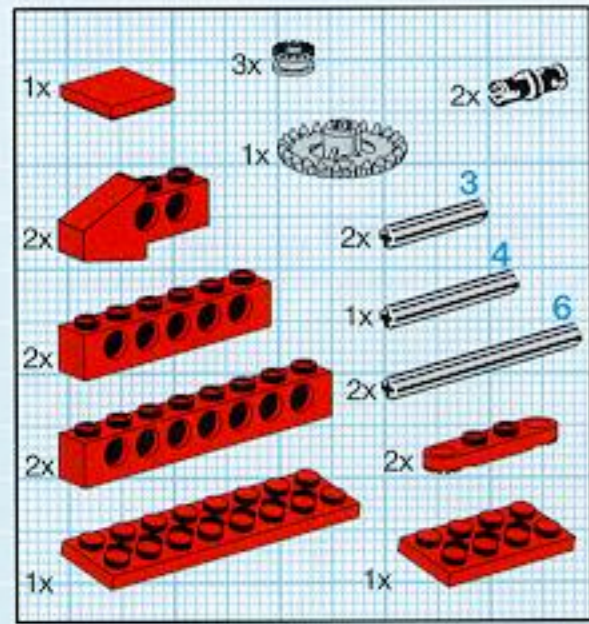
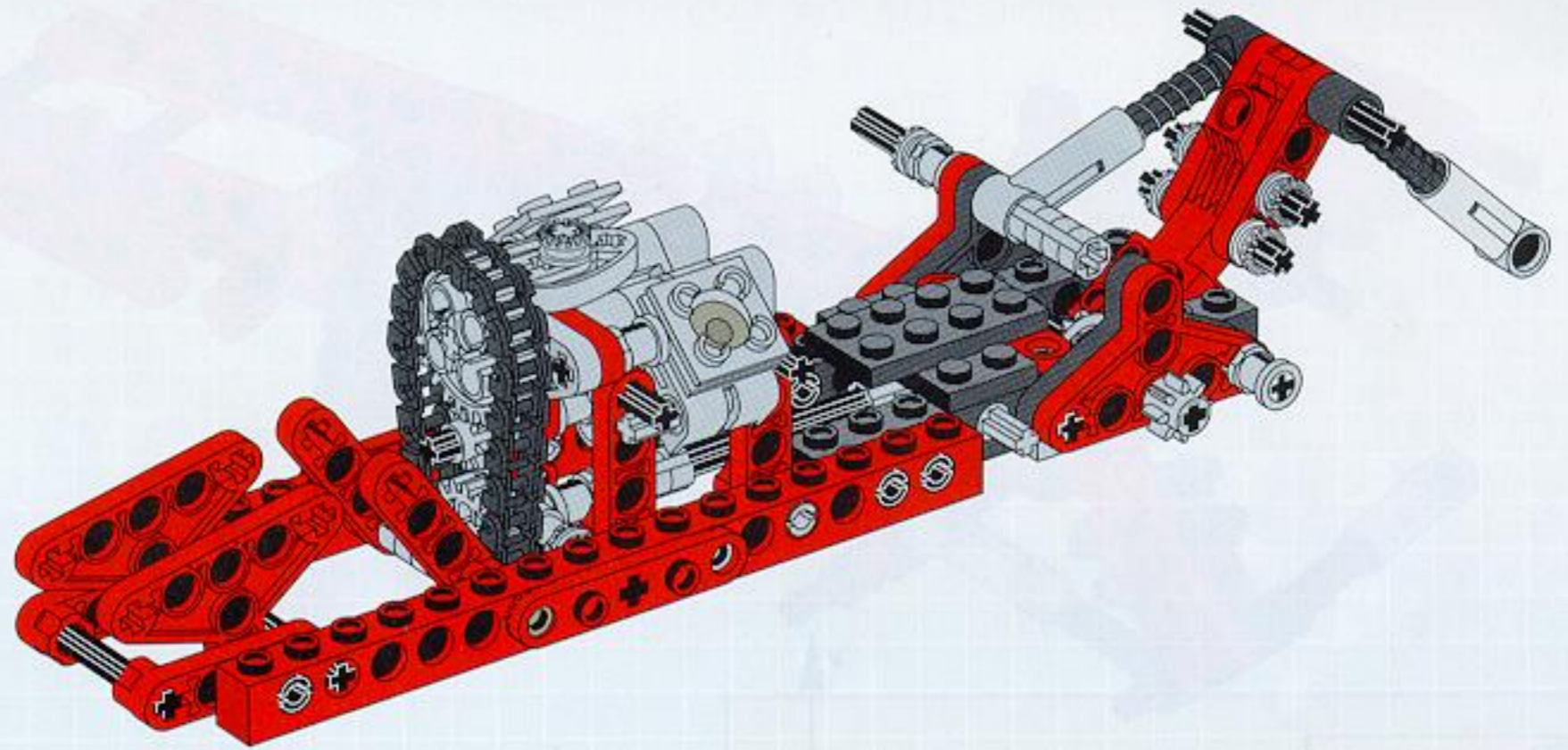


13



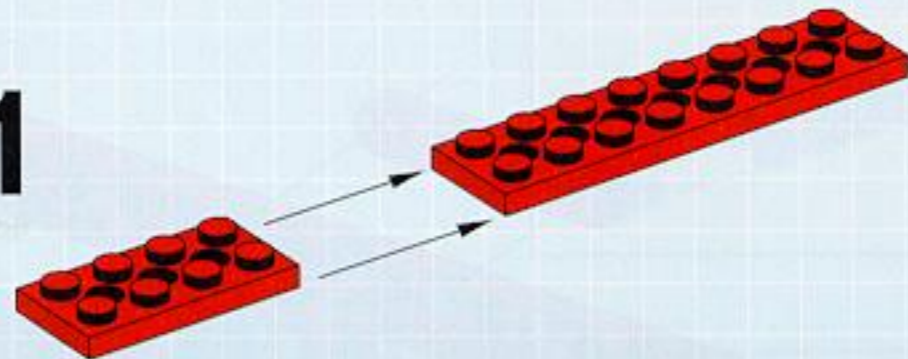


14

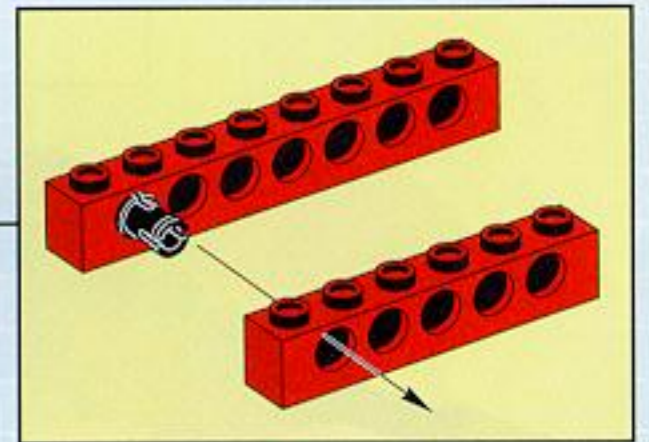
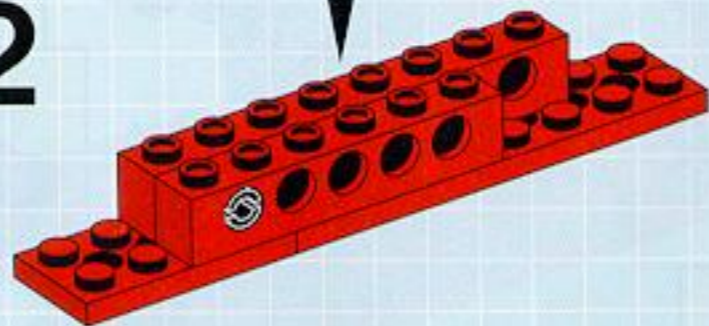


15

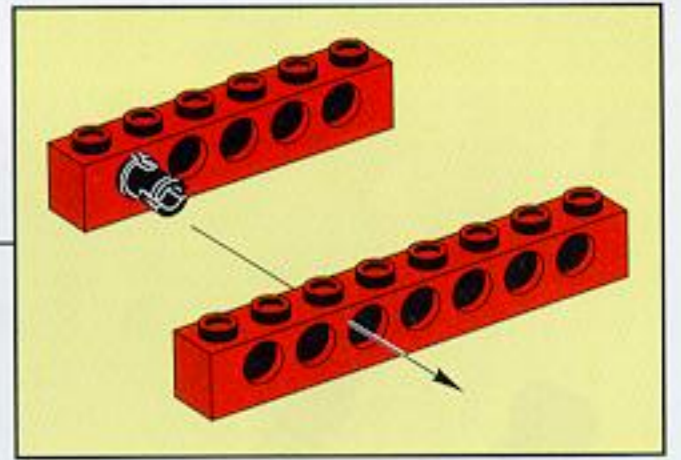
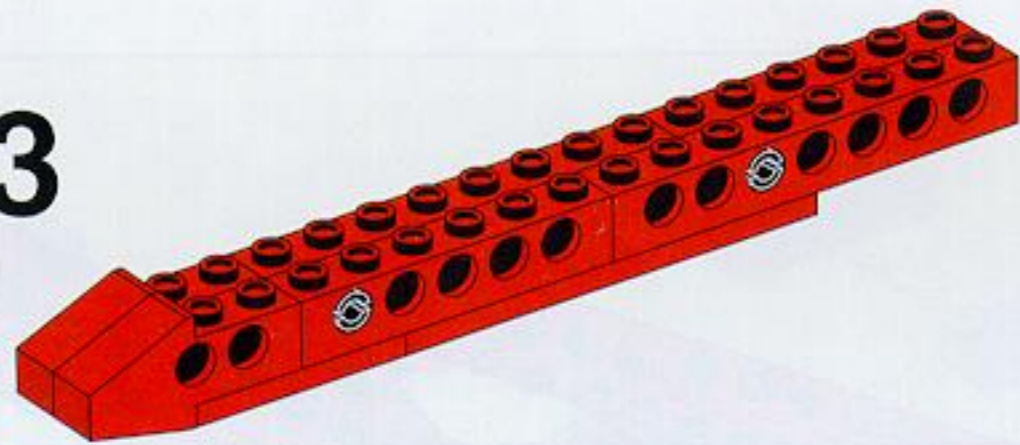
1



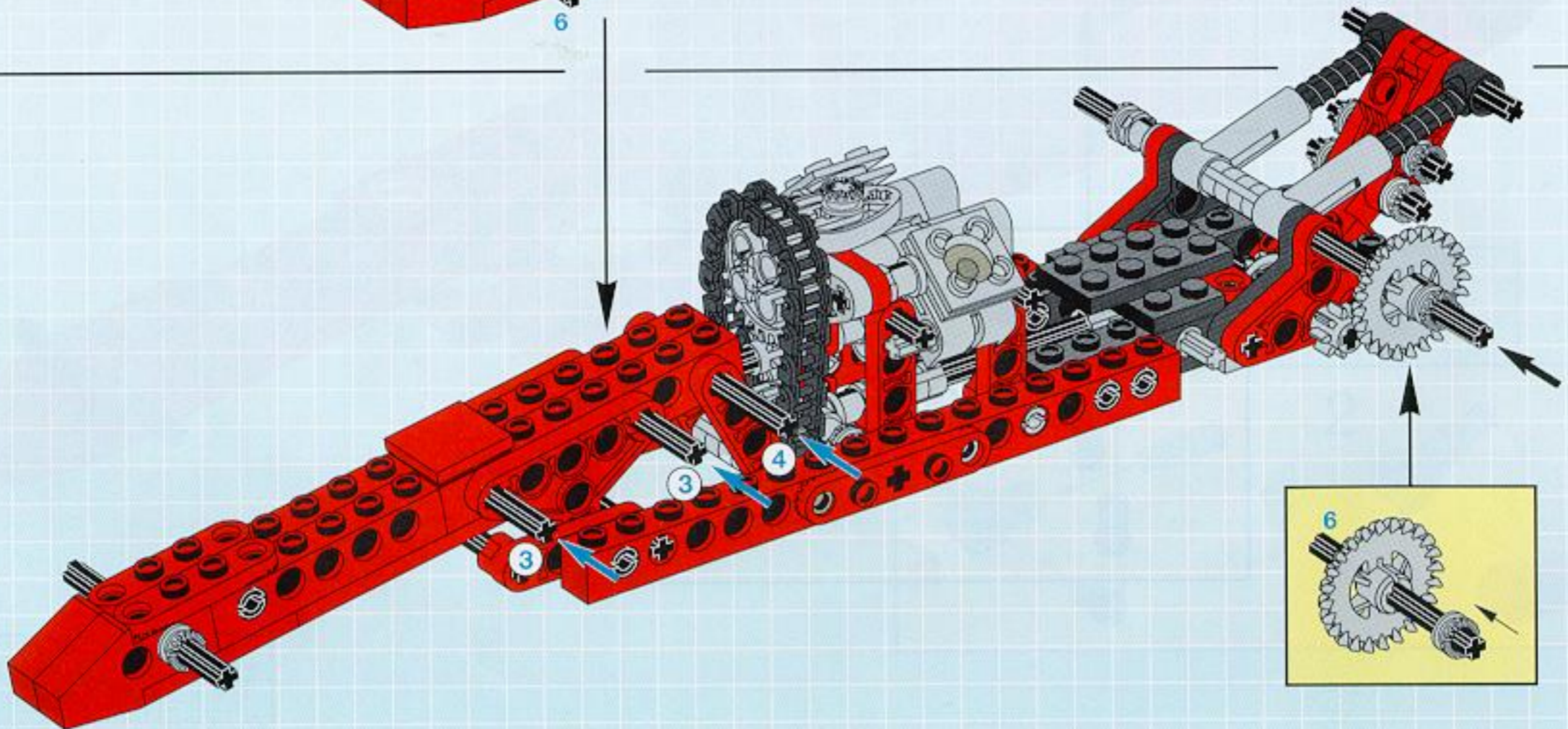
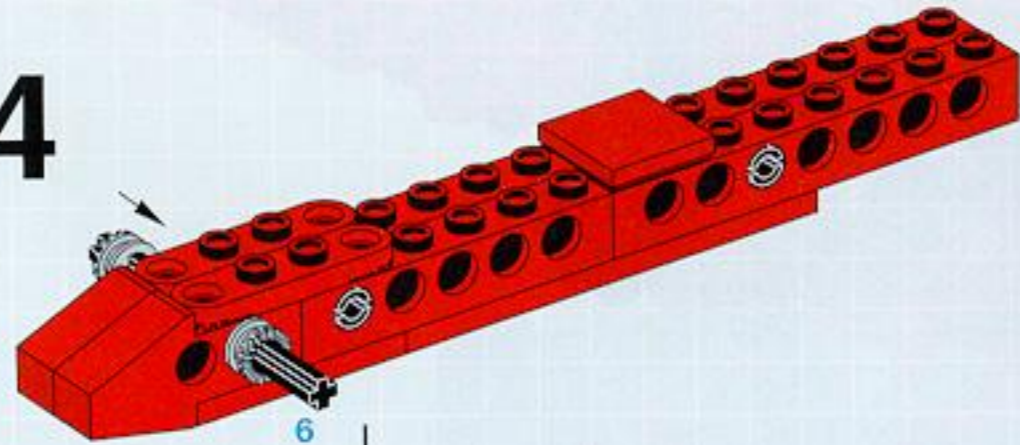
2

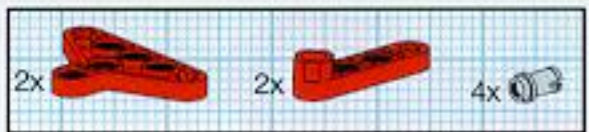


3

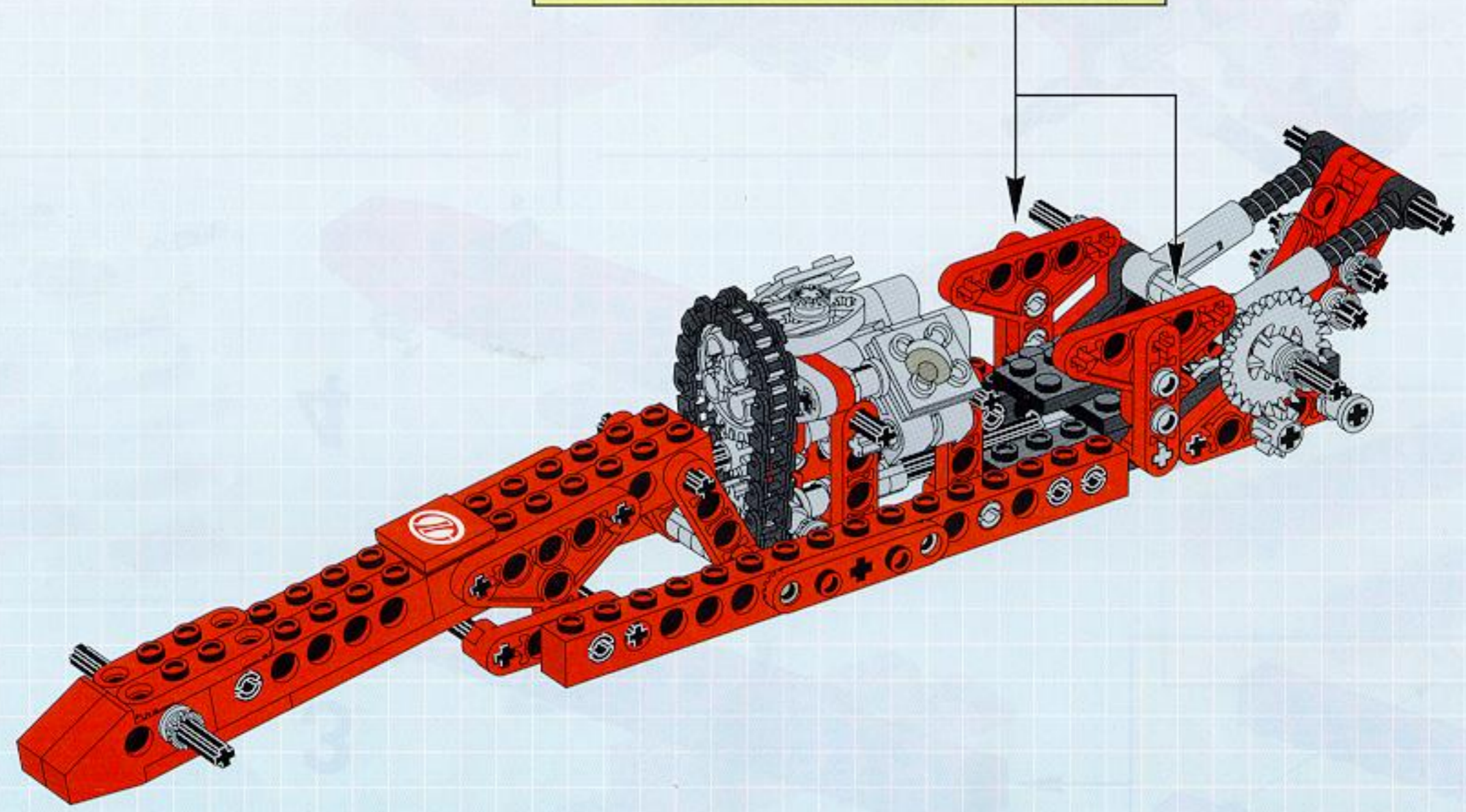
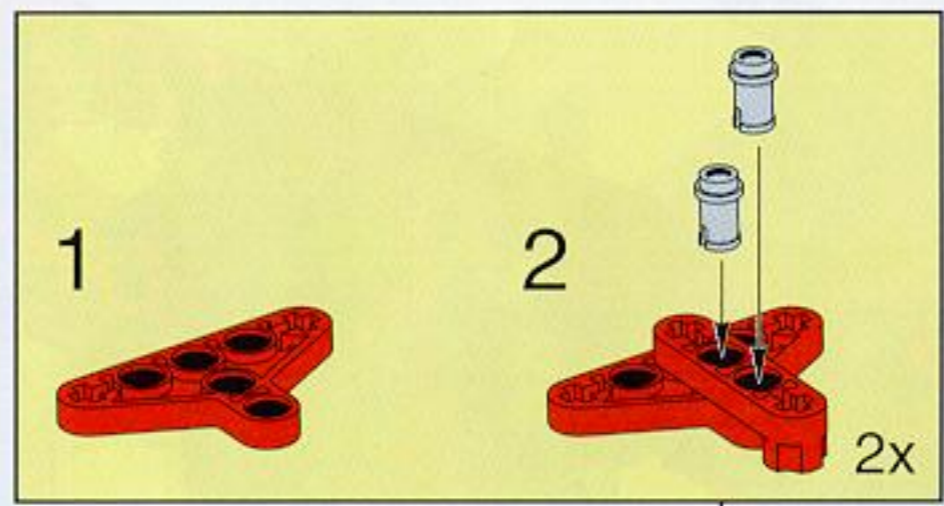


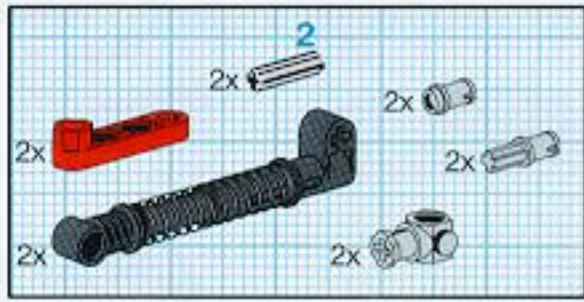
4



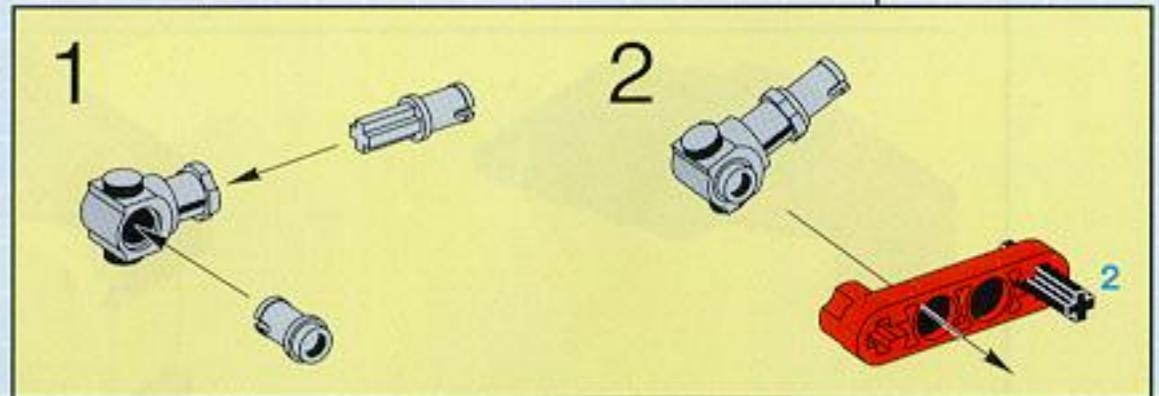
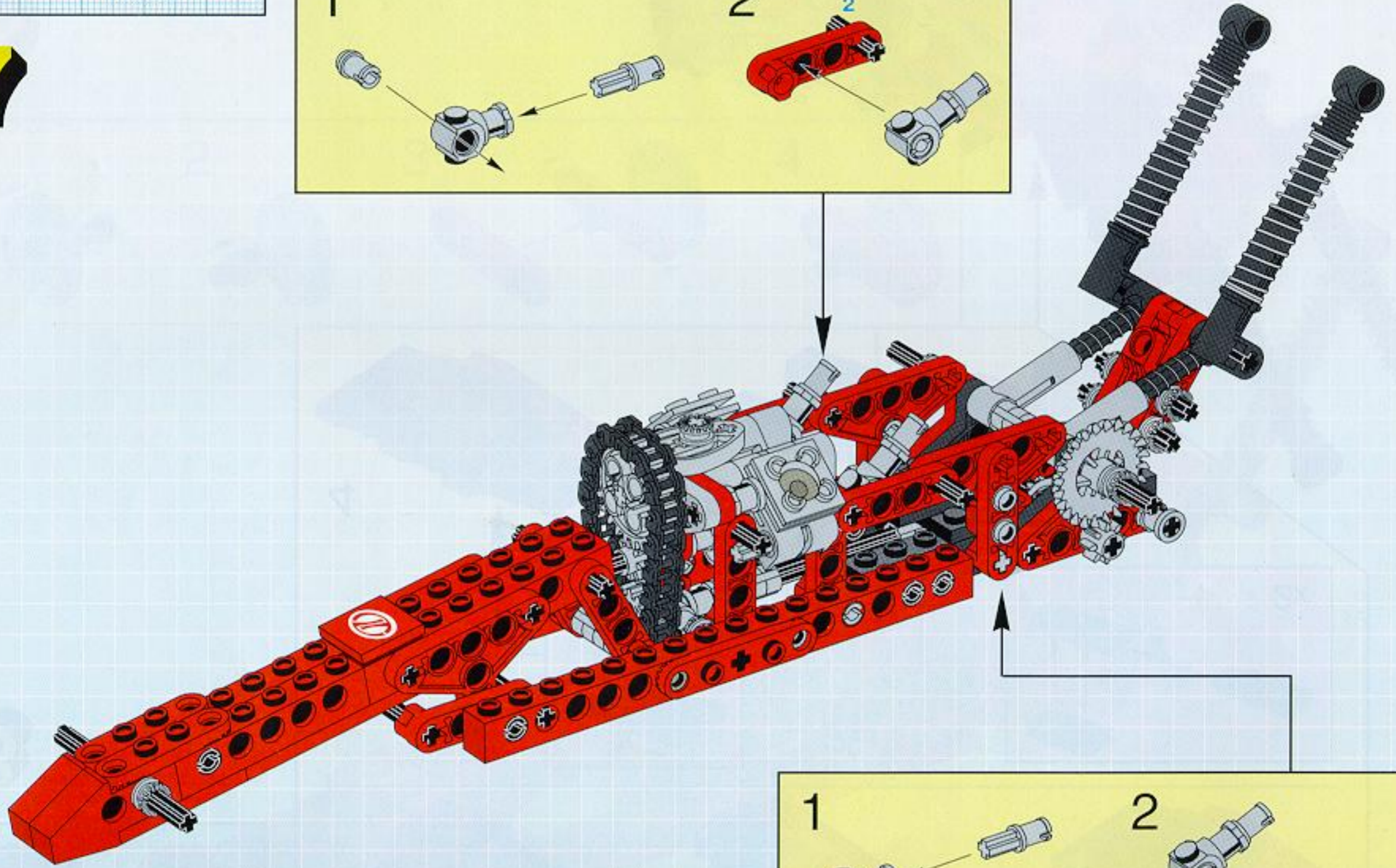
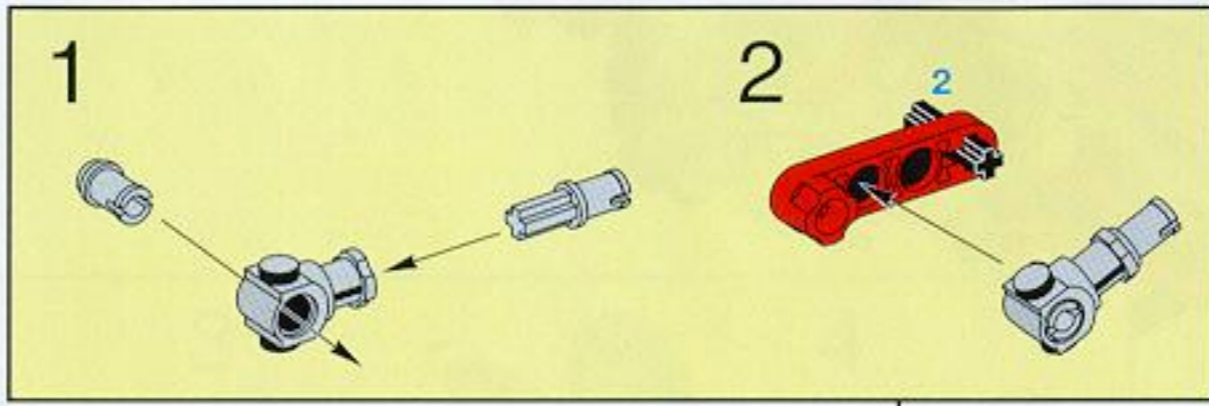


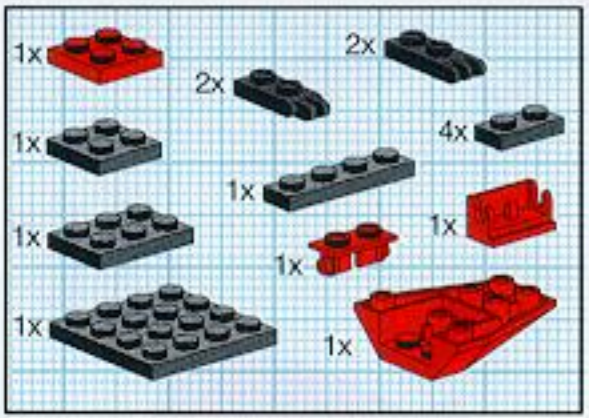
16



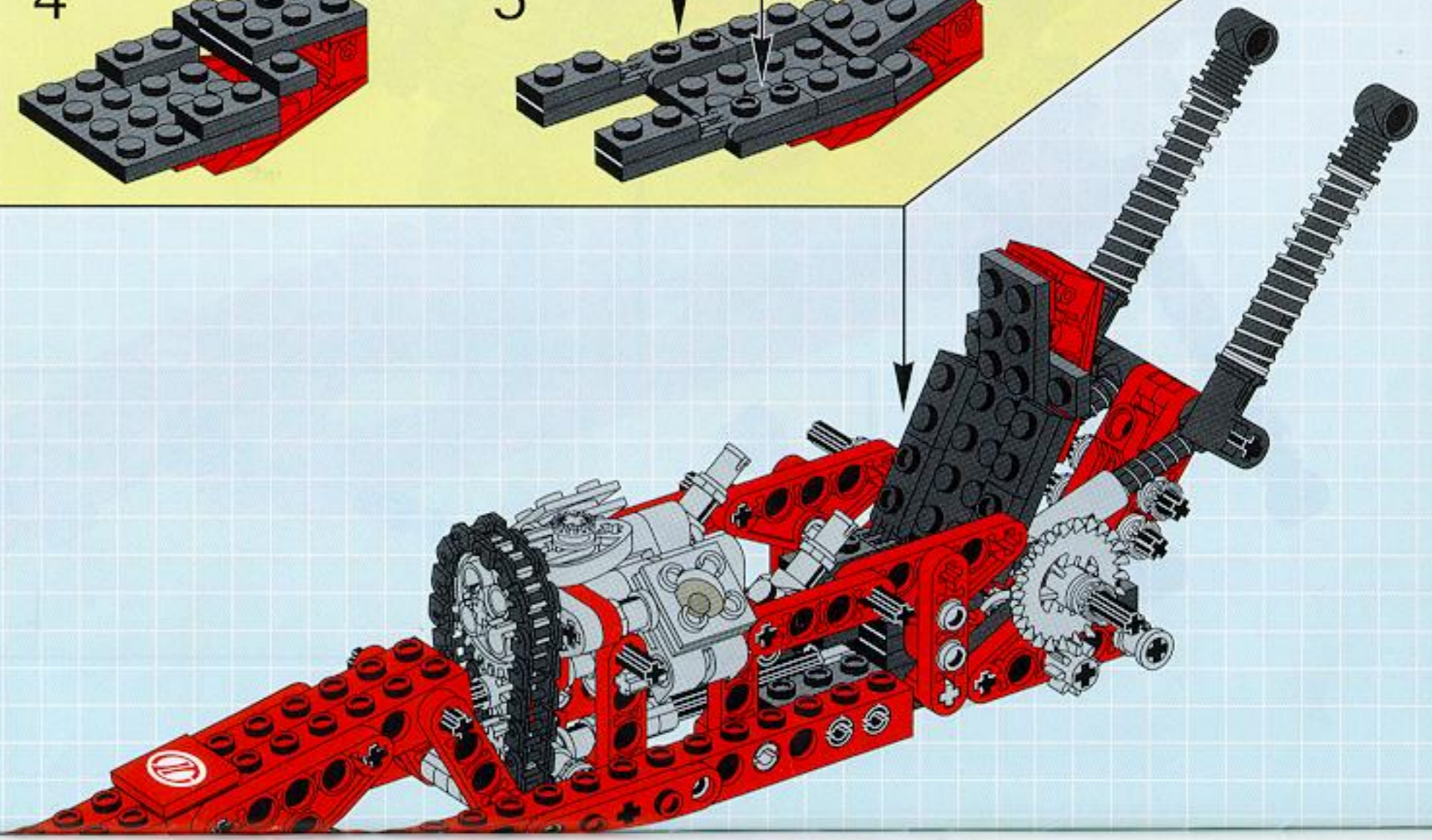
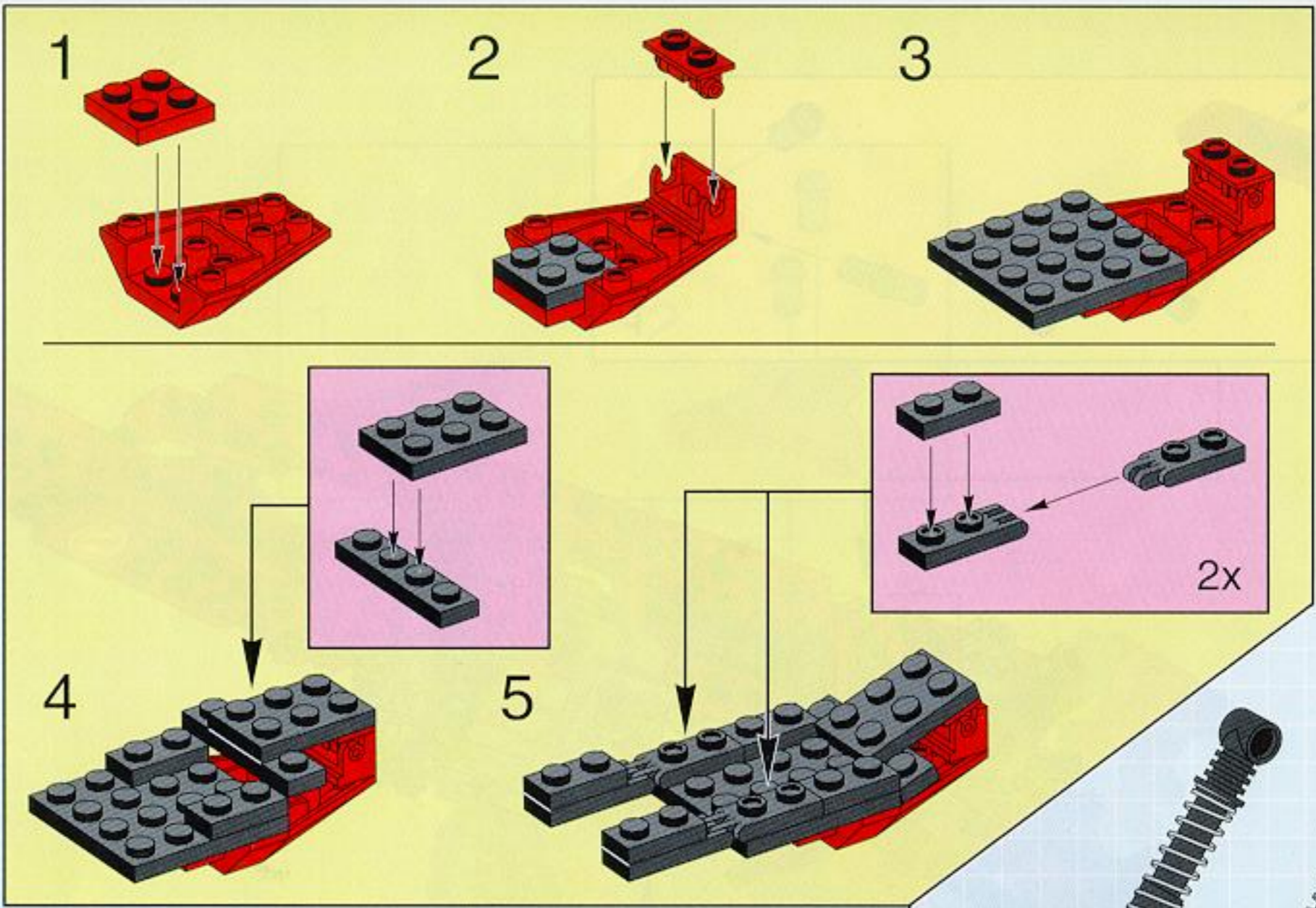


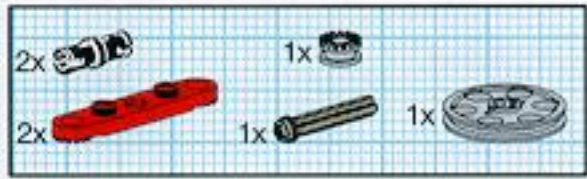
17



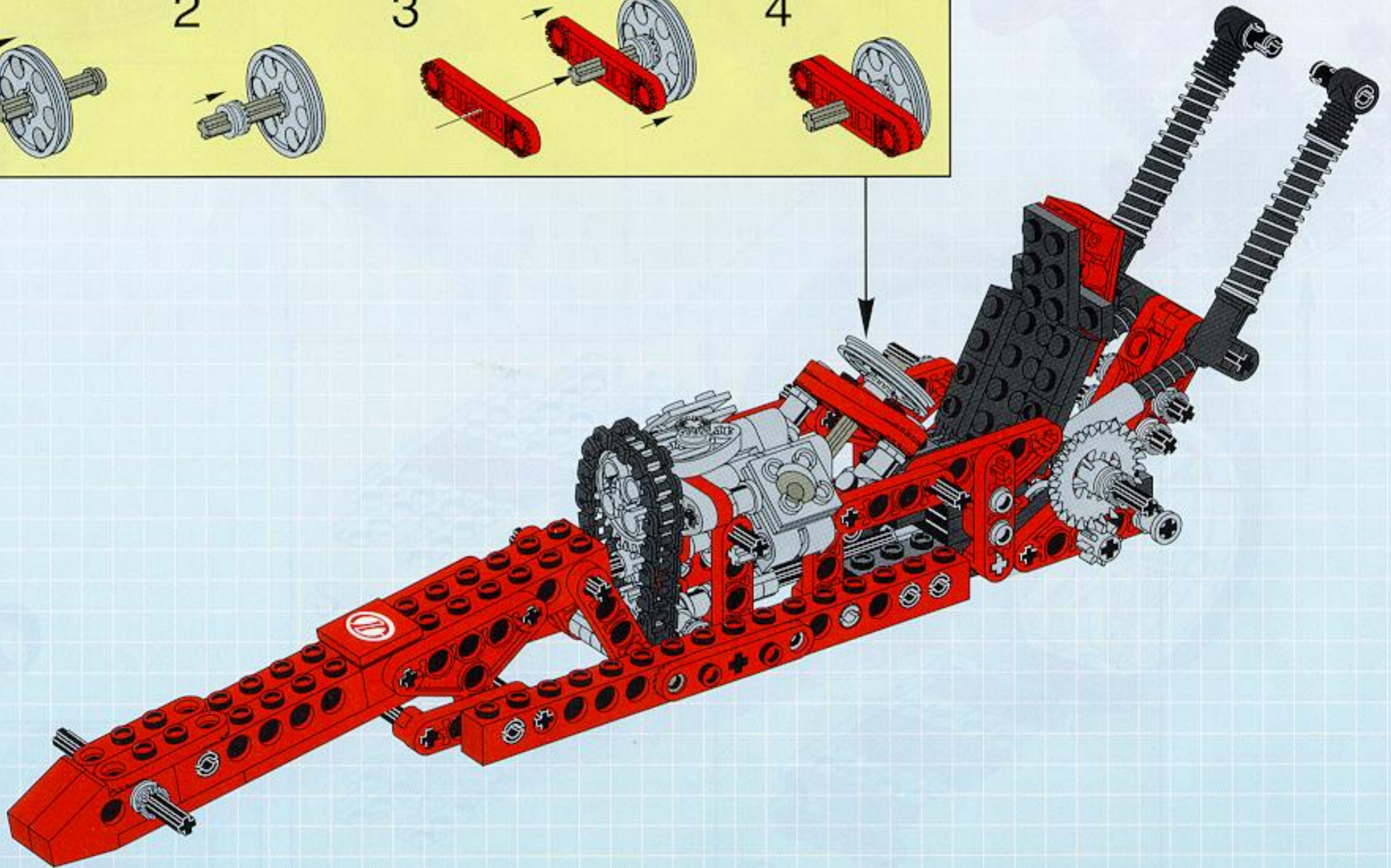
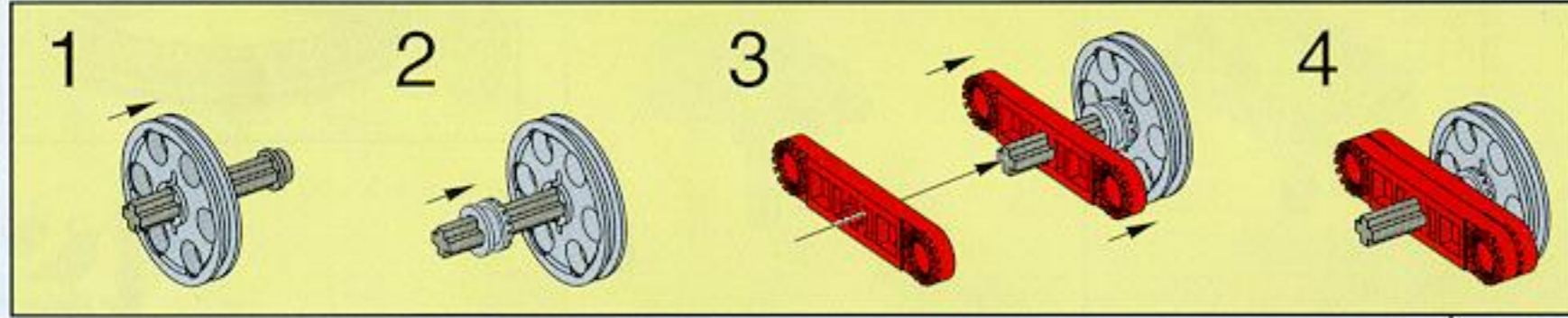


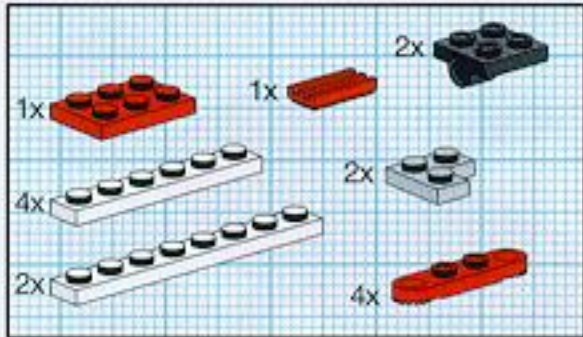
18



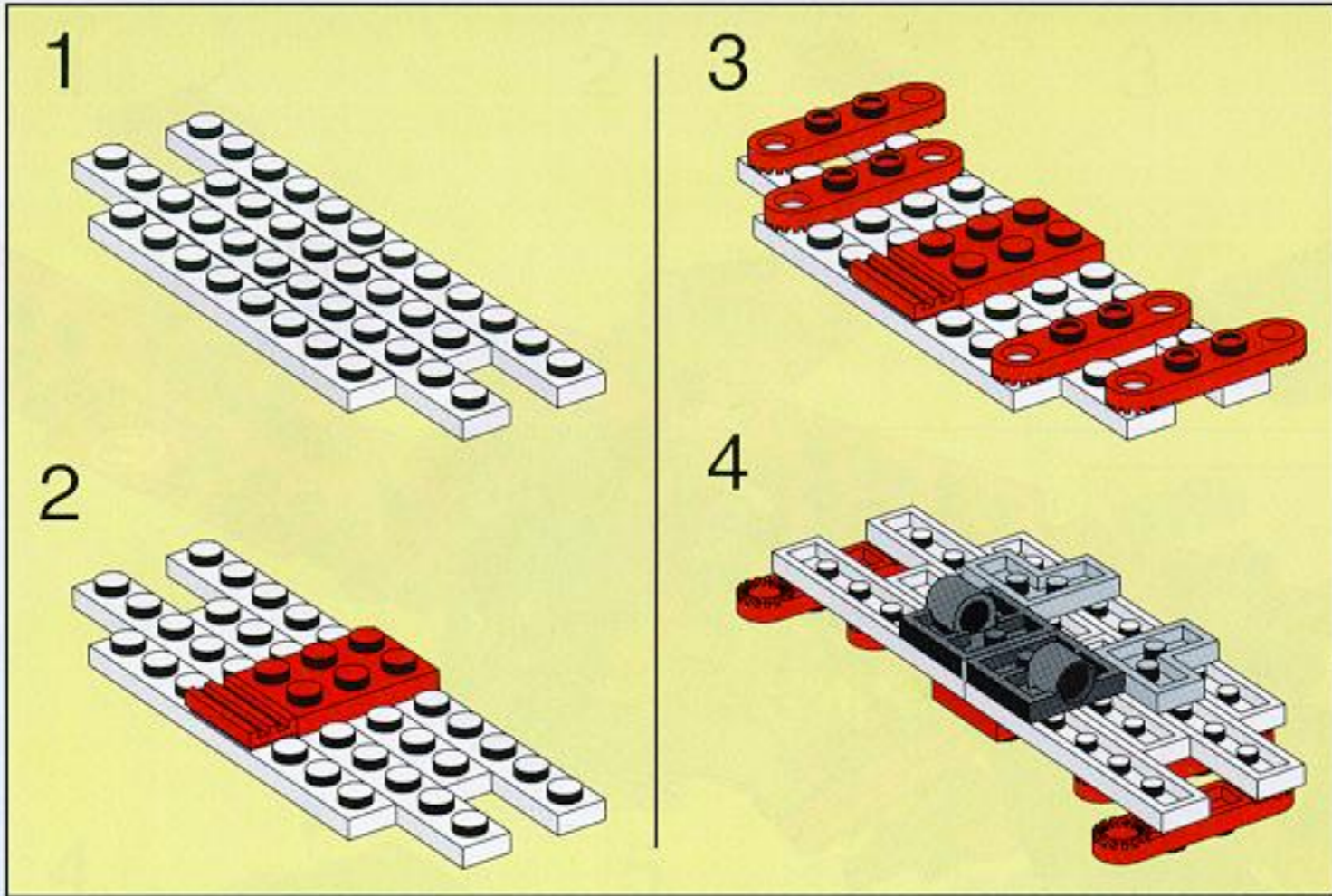


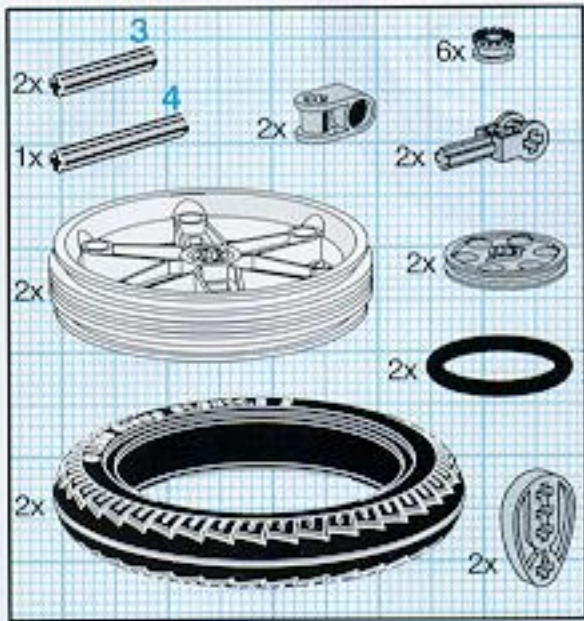
19



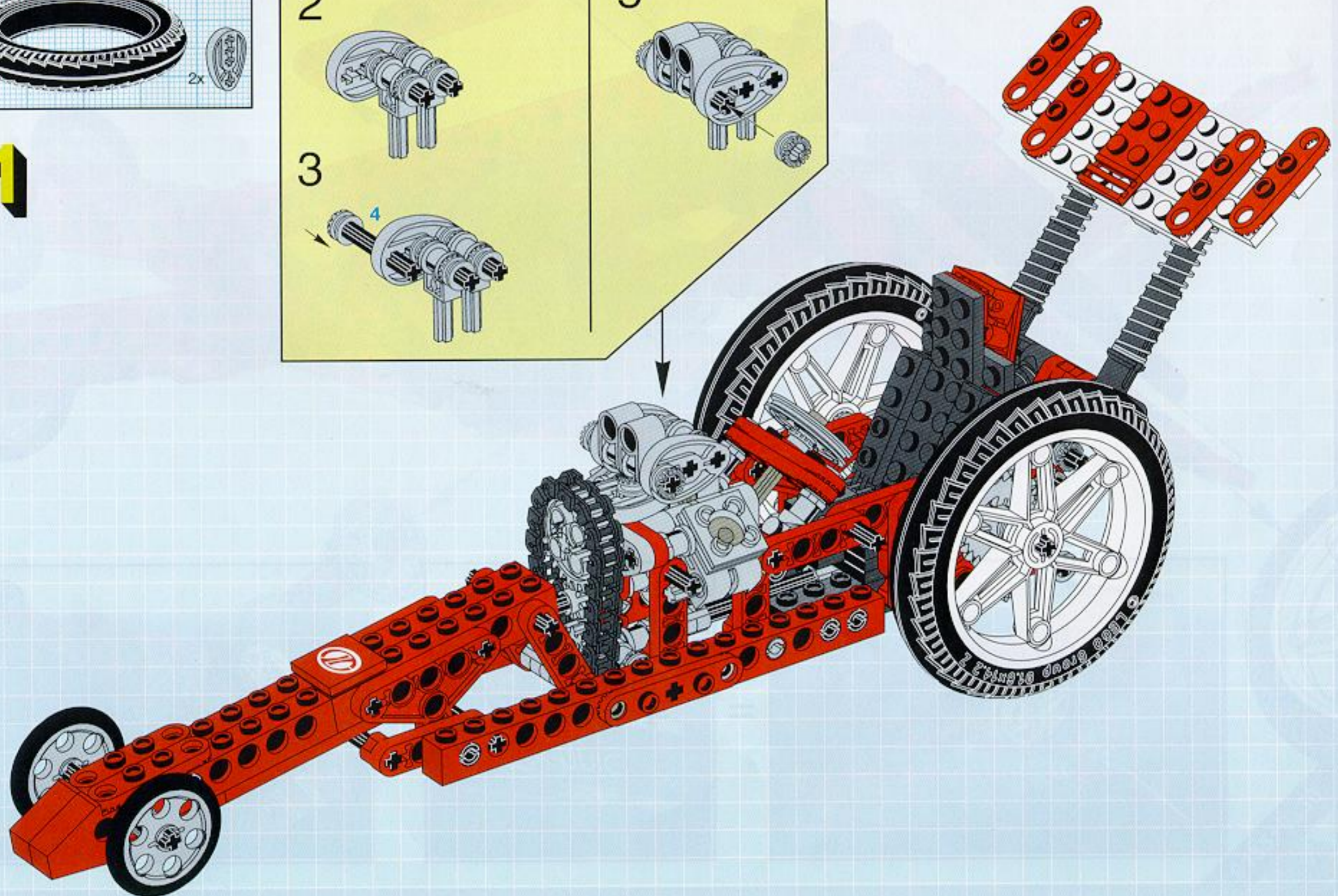
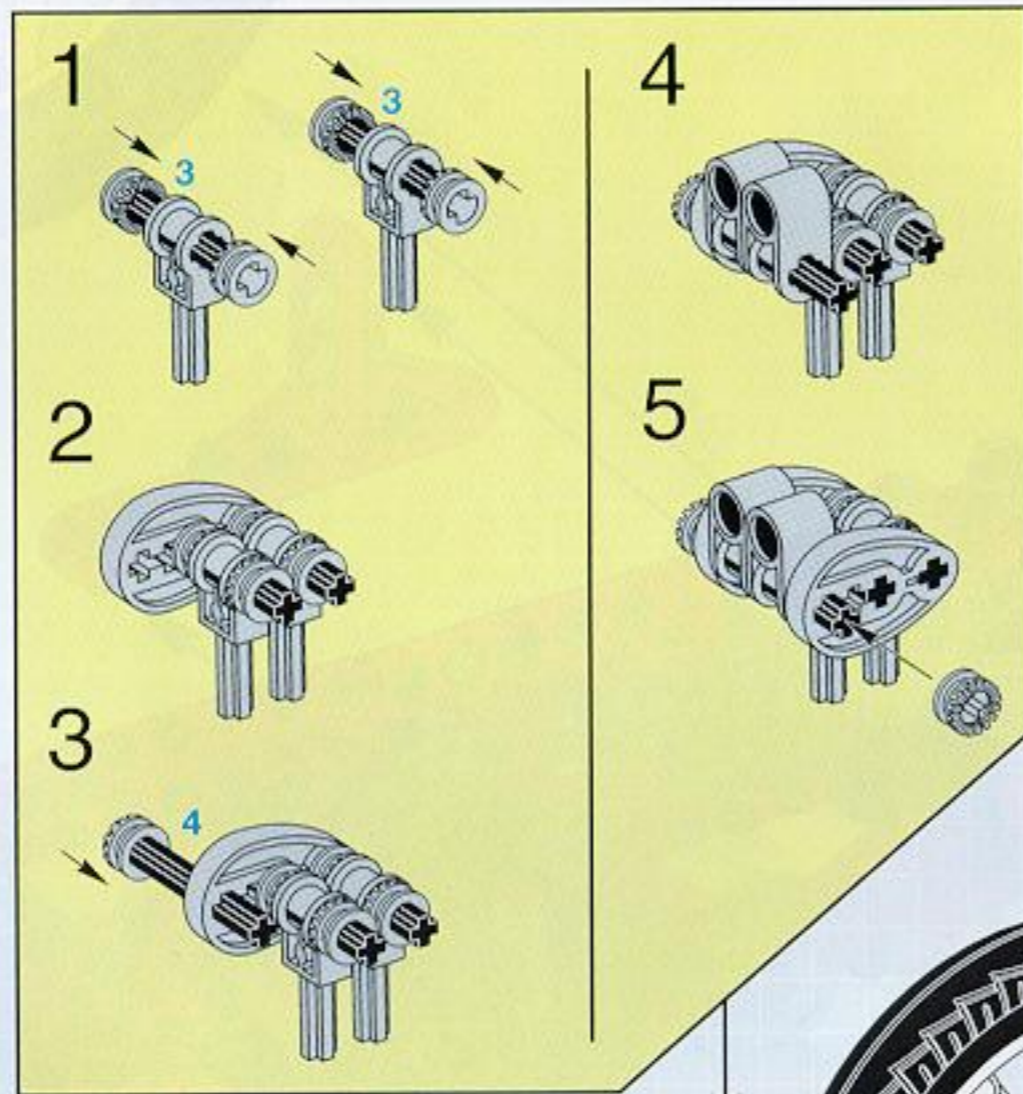


20





21





+

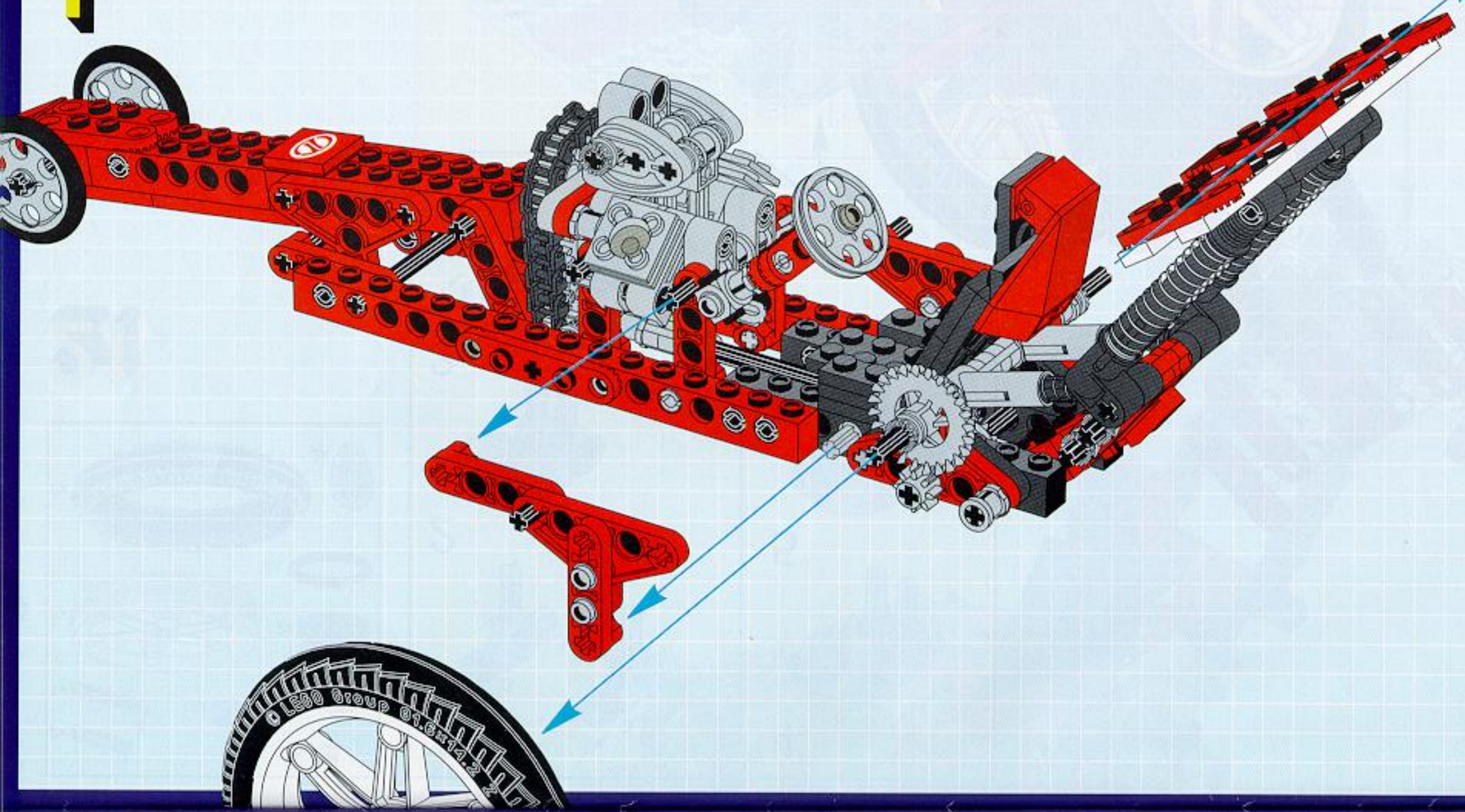


=



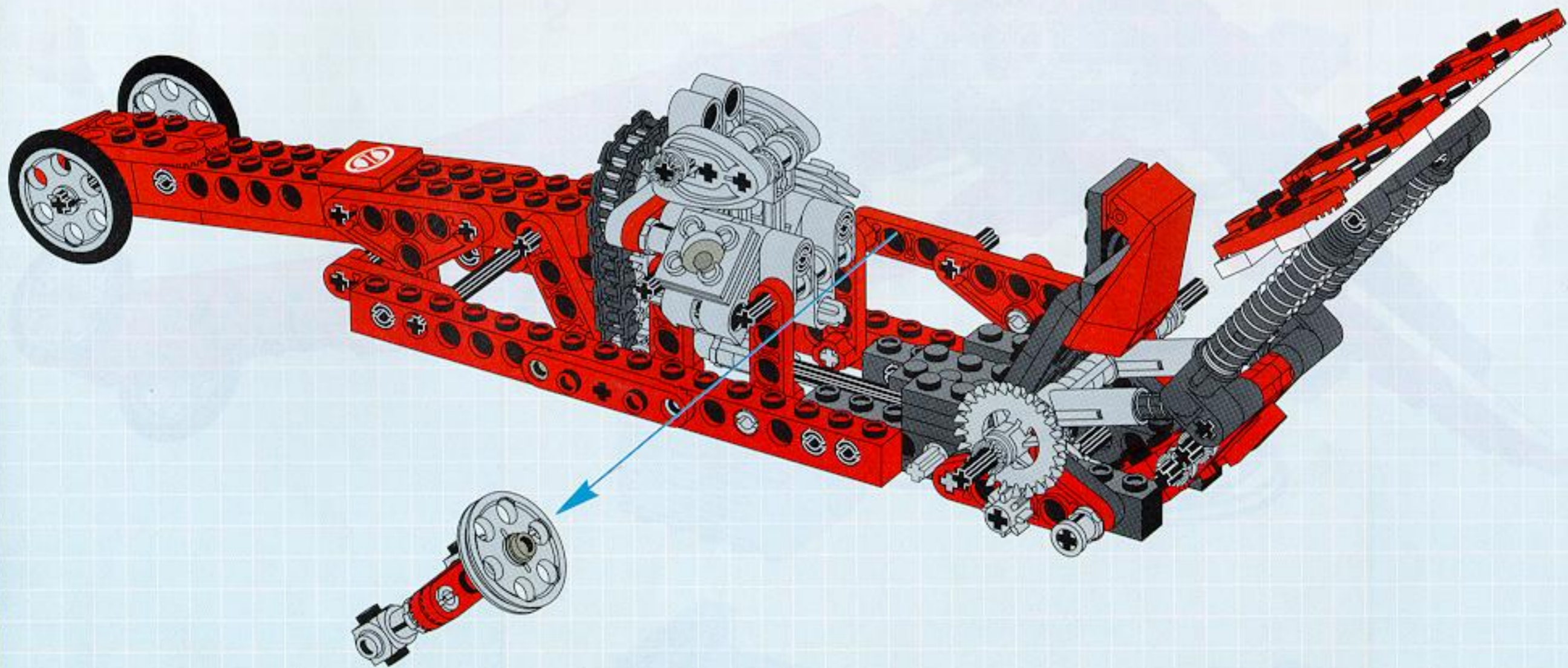
8422+8720

1



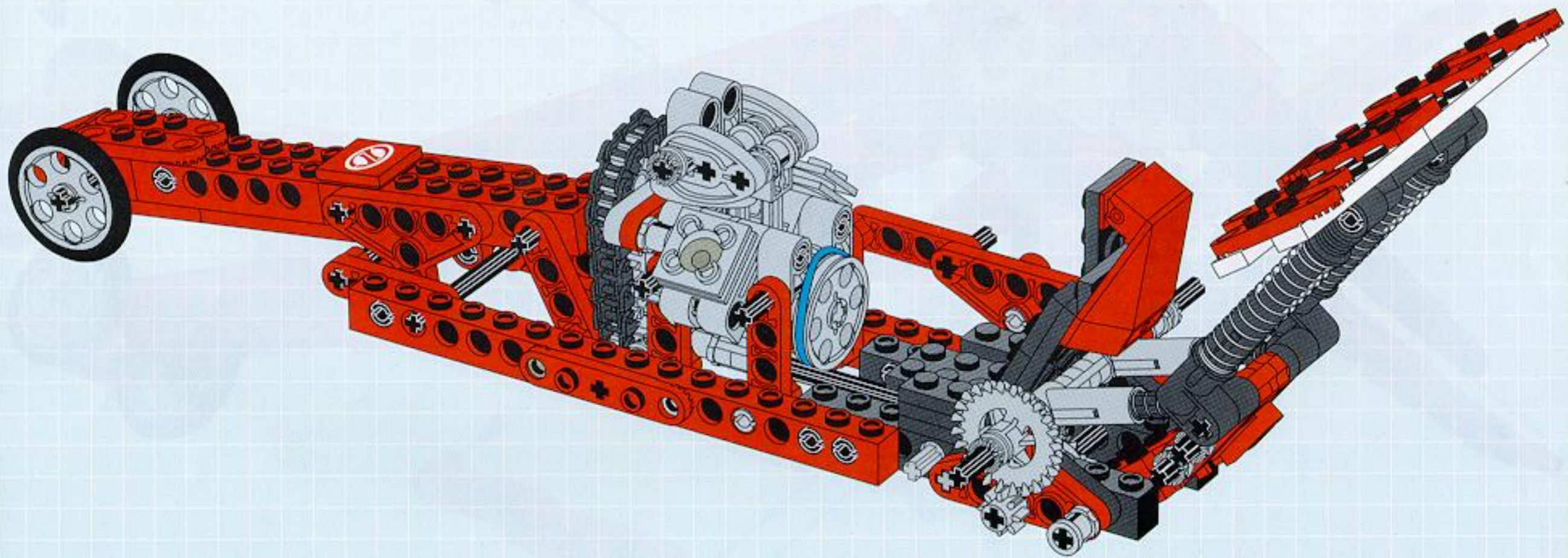
2

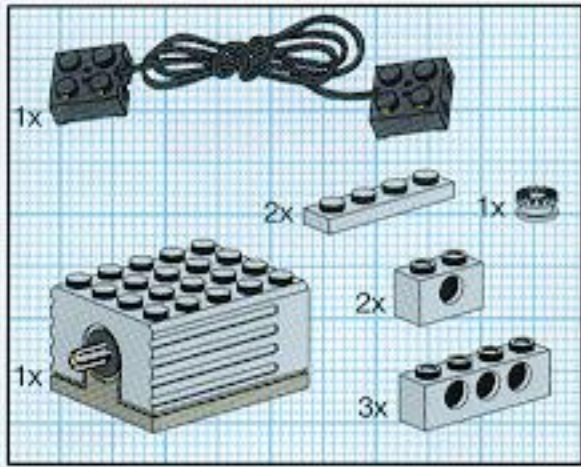
8422+8720



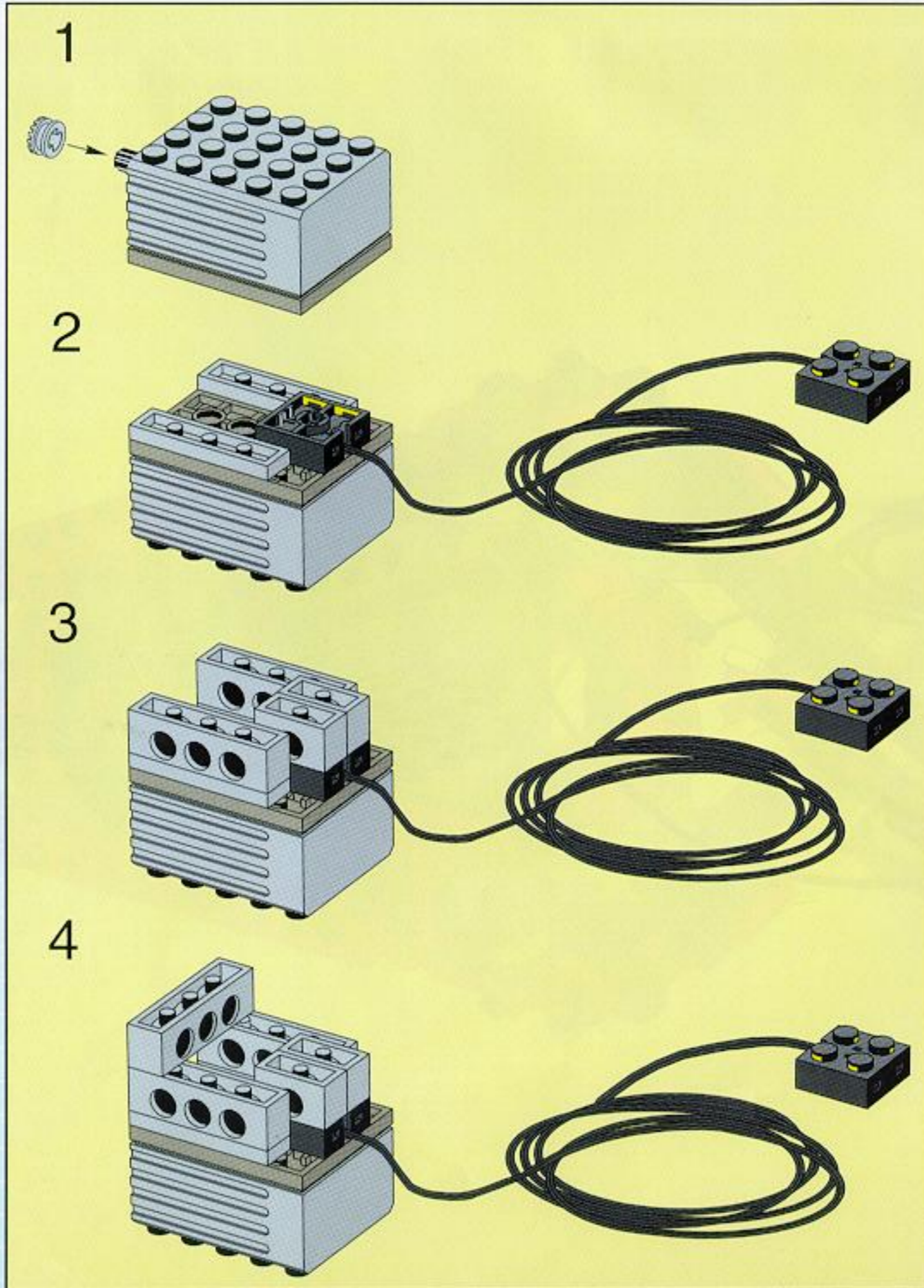


3

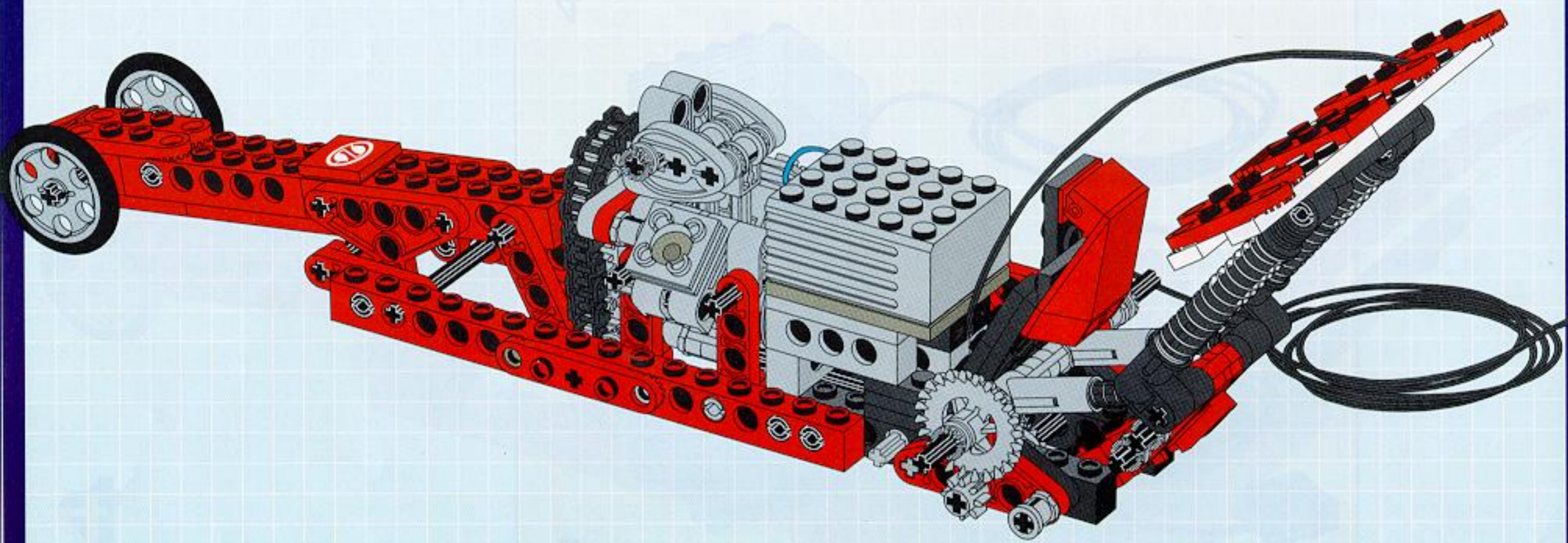


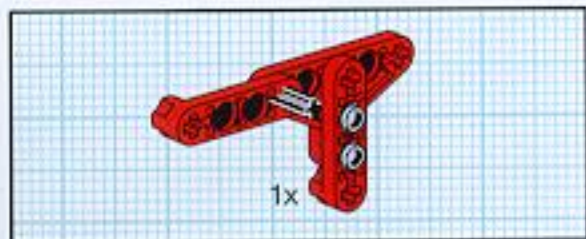


4

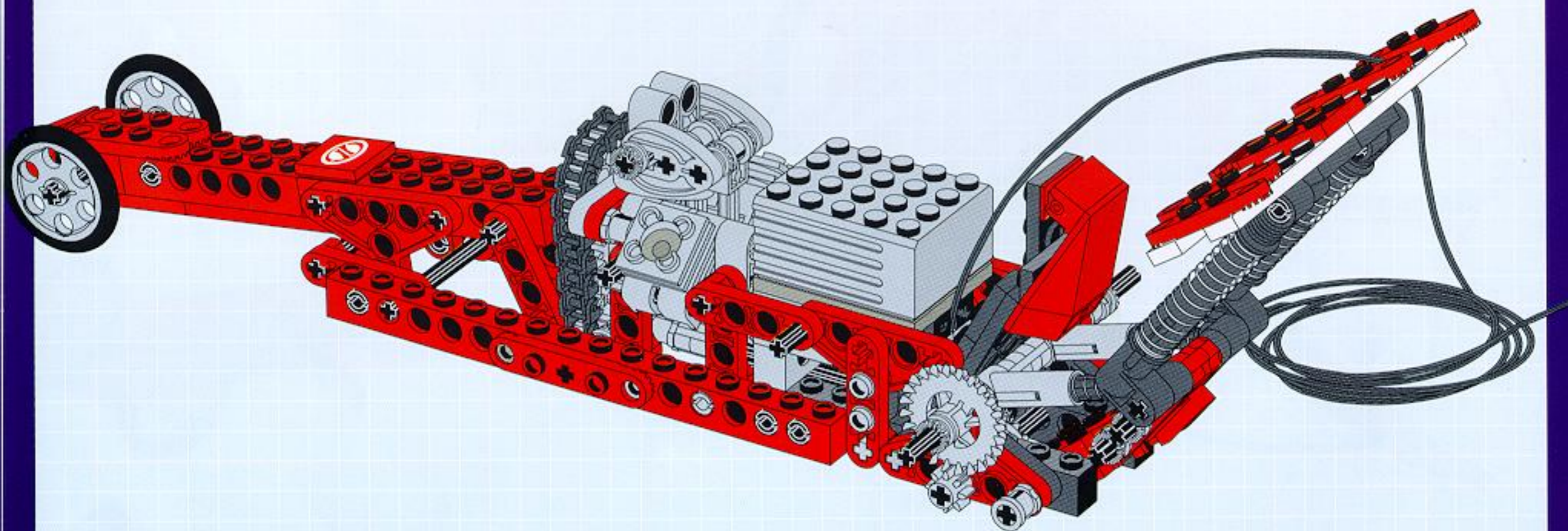


8422+8720



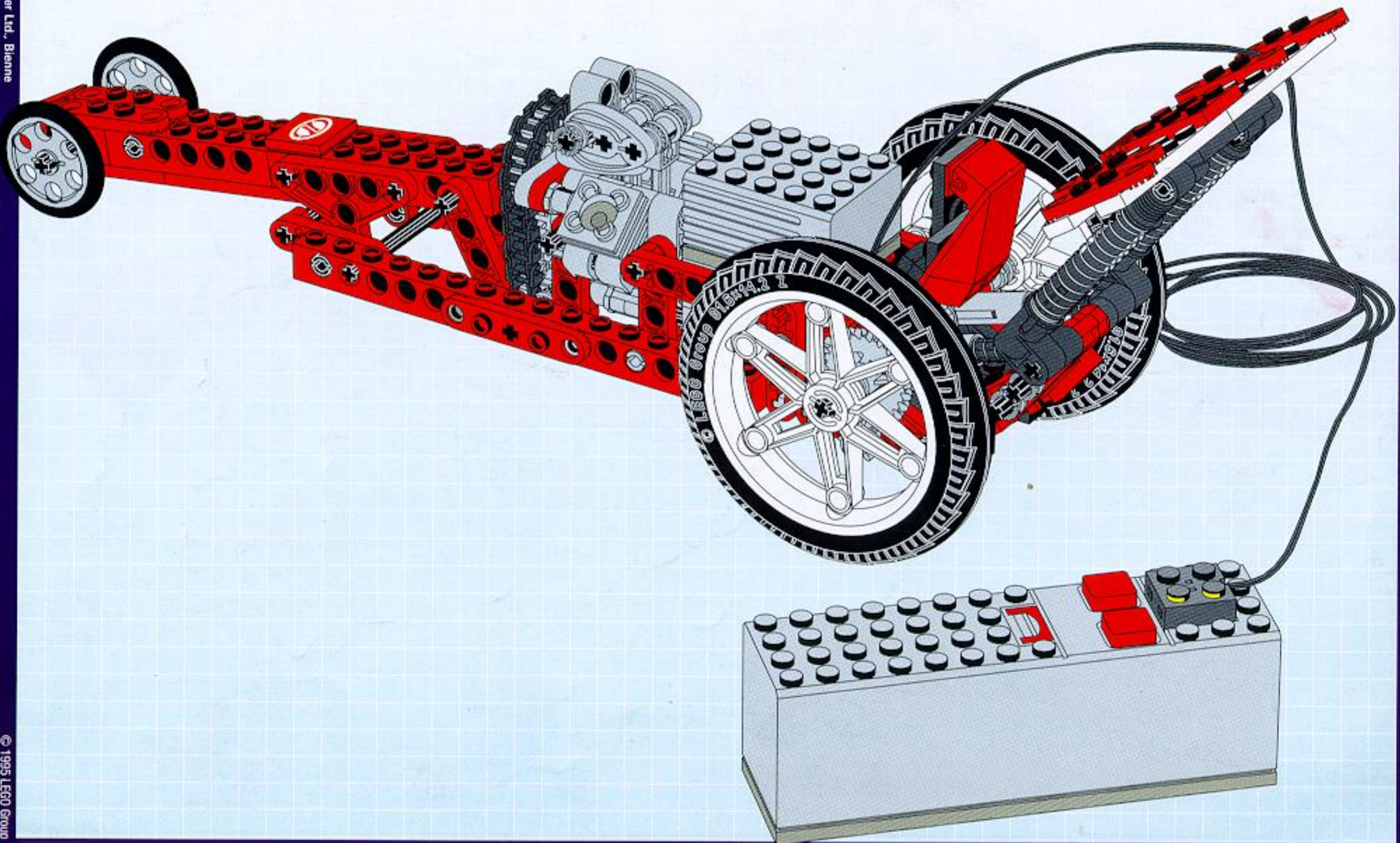


5





6





MC
8422



REYNOLDS AND REYNOLDS GROUP