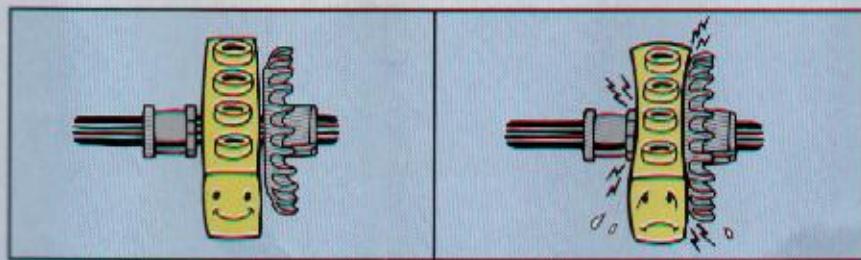
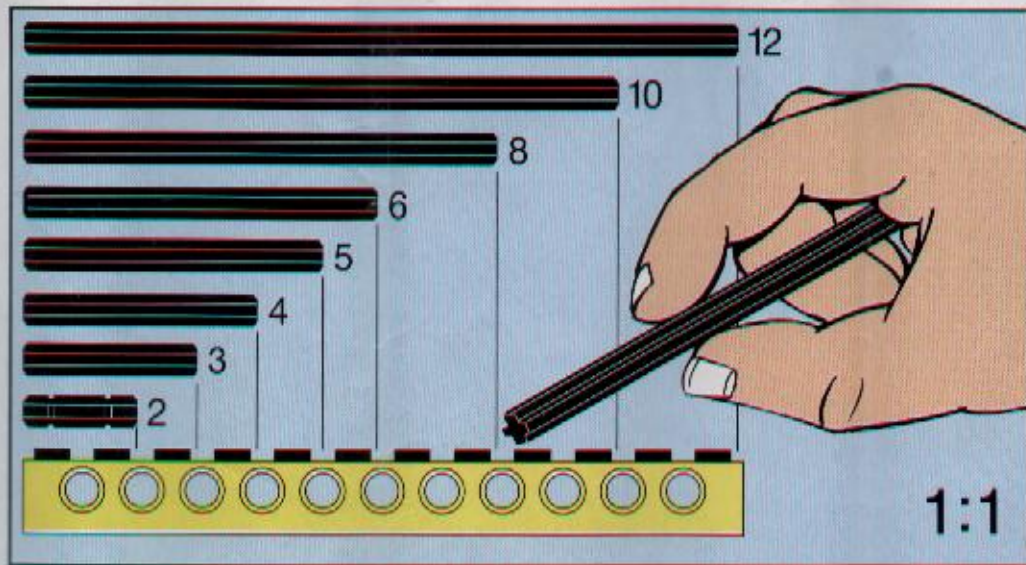


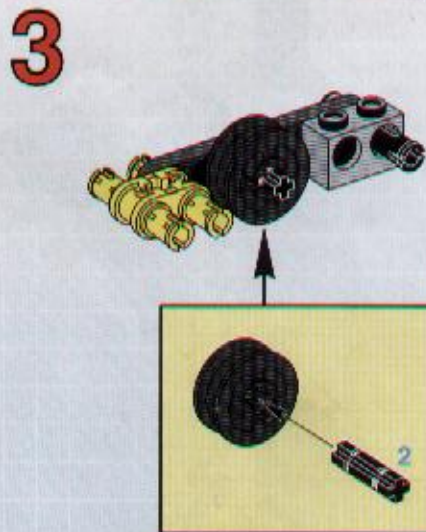
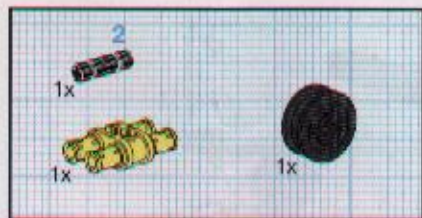
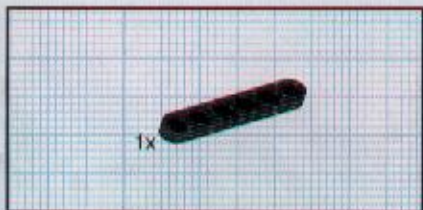
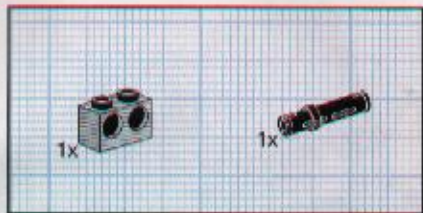


# Technic

8246

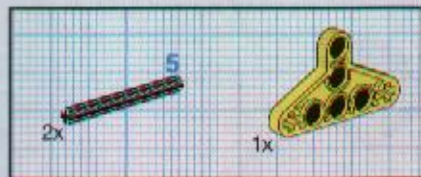




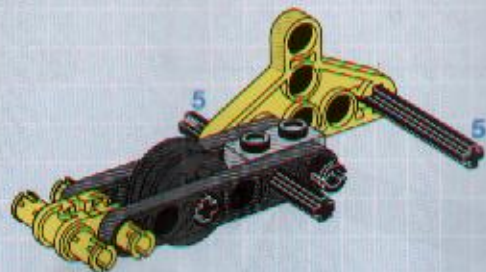


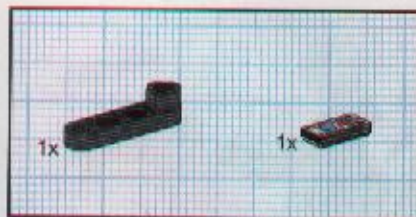


4

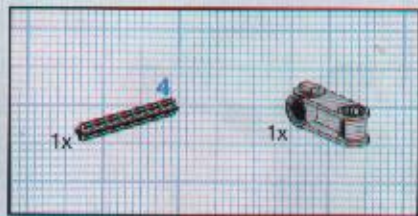
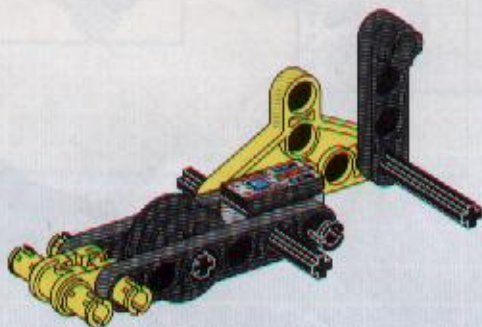


5

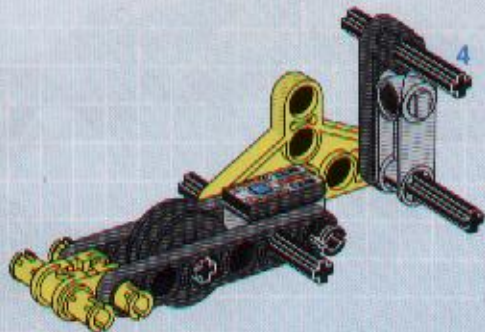


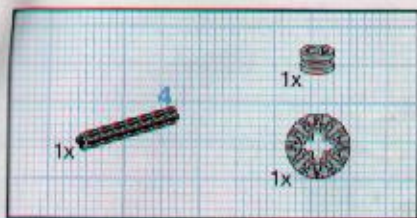


6

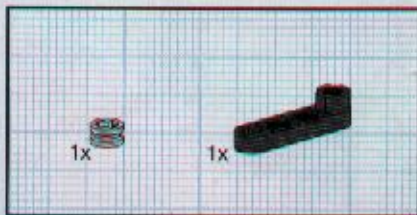
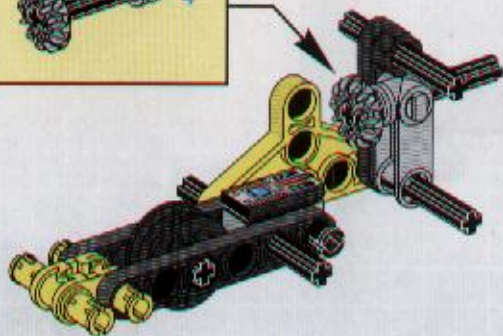
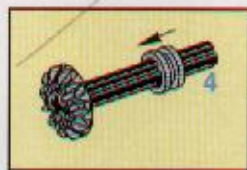


7

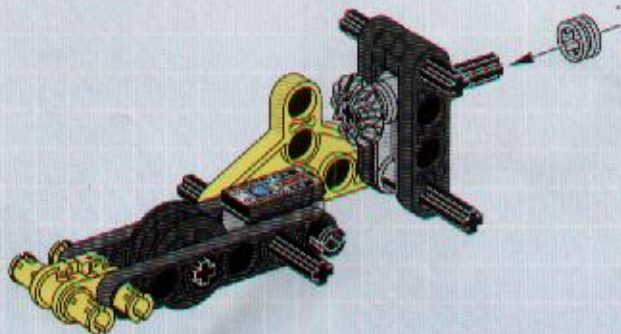


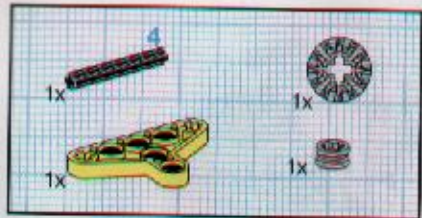


8

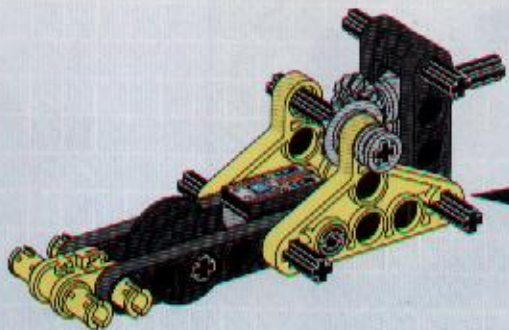
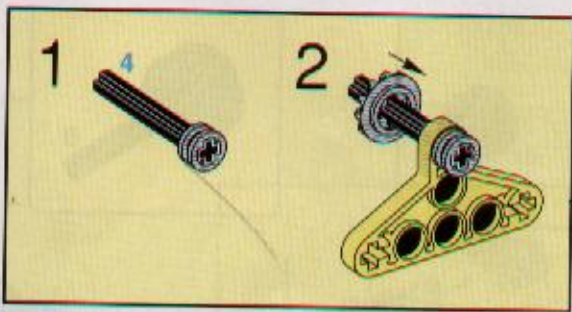


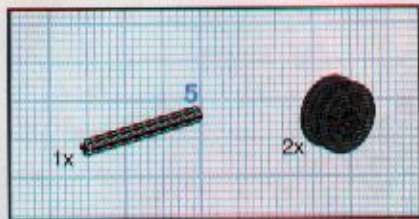
9



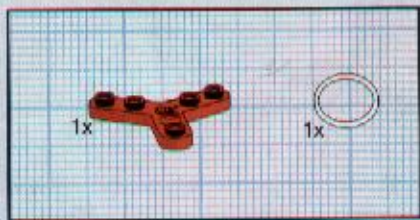
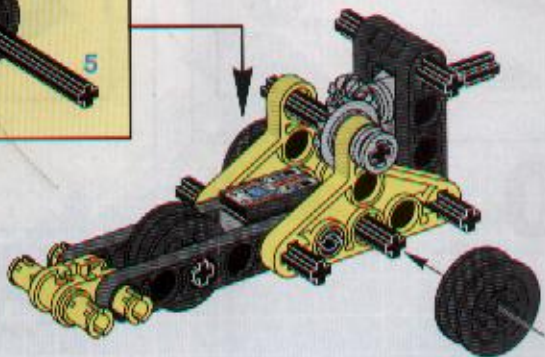


10

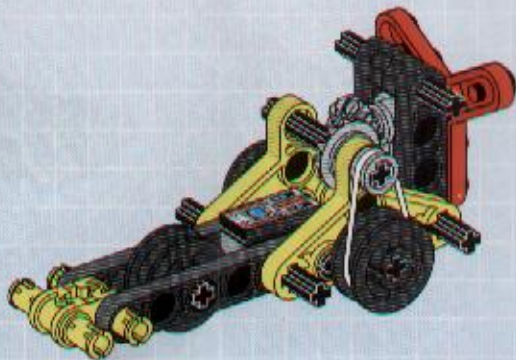




11



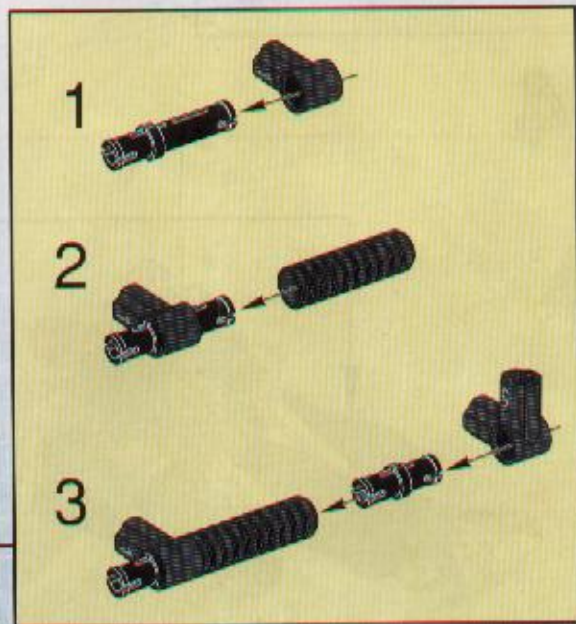
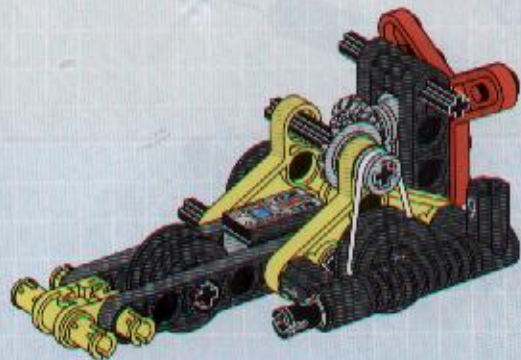
12





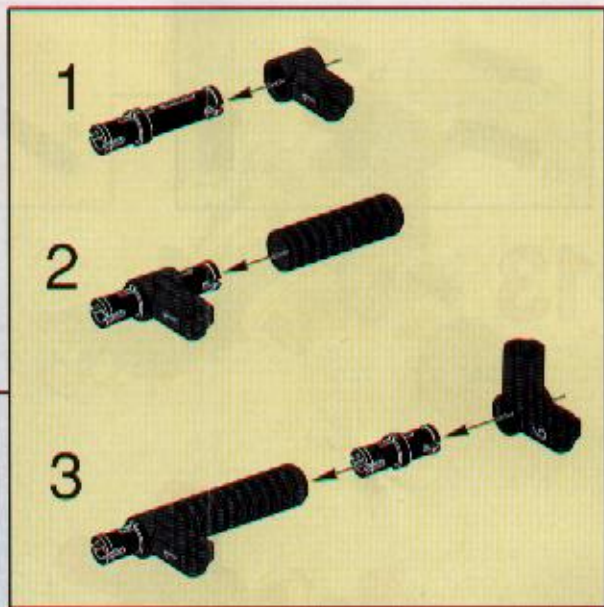
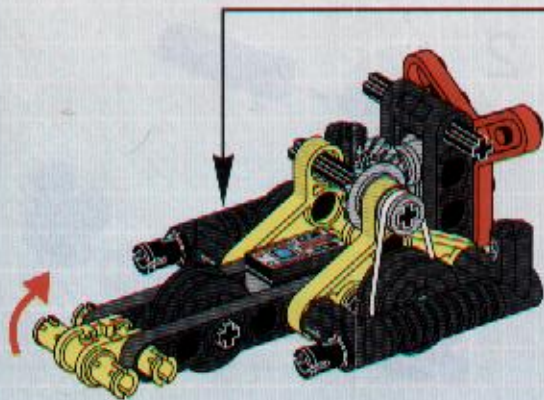


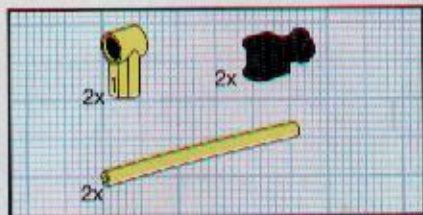
13



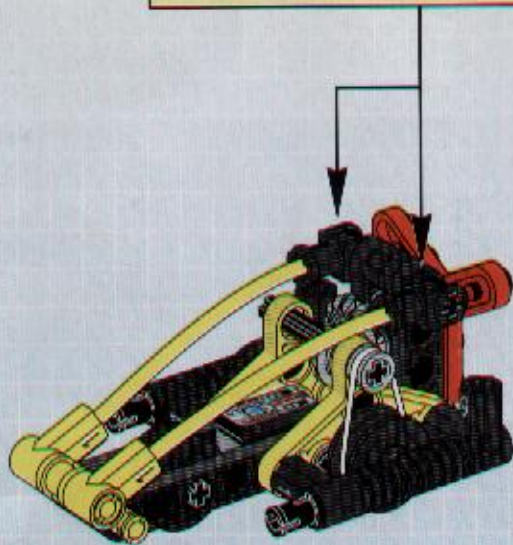
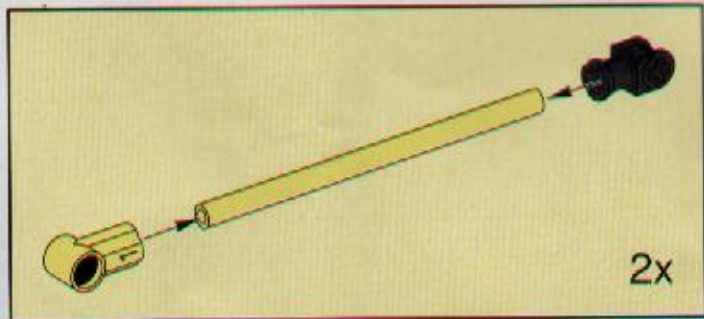


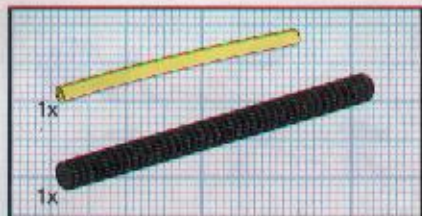
14





15





16

