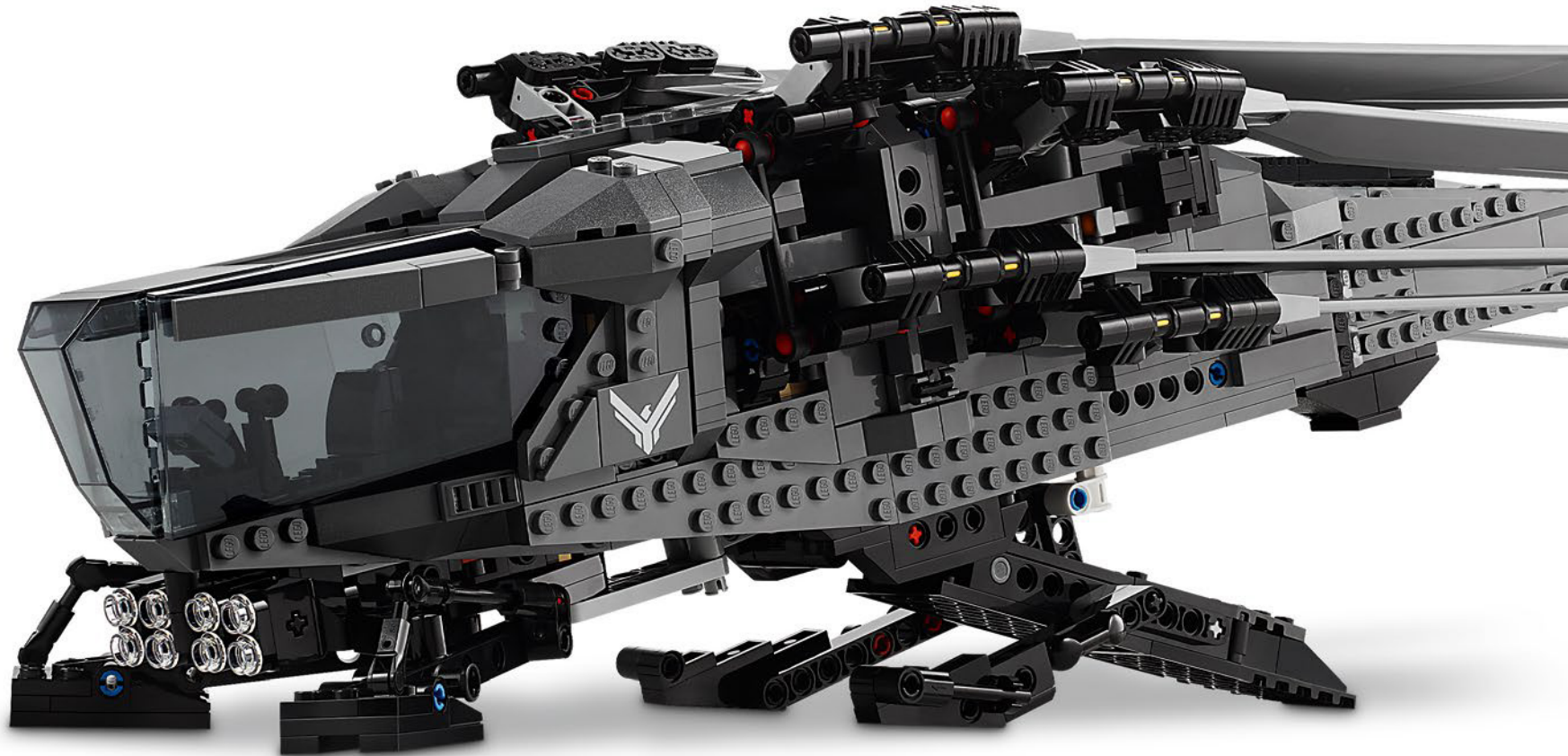
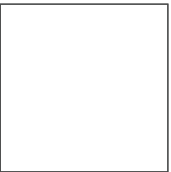




D U N E



Booklet available in English on
Heft in deutscher Sprache erhältlich auf
Livret disponible en français sur
Libretto disponibile in italiano su
Folleto en español disponible en
如需中文版手册, 请访问





LEGO.com/sustainable-packaging



FR
DONNEZ
OU
RECYCLEZ



ASSOCIATION

OU



MAGASIN

OU



DÉCHÈTERIE

Adresses sur quefairedemesdechets.fr



BUILDER



Apple and the Apple logo are trademarks of Apple Inc., registered in the U.S. and other countries and regions. App Store is a service mark of Apple Inc. Google Play and the Google Play logo are trademarks of Google LLC. Tencent and the Tencent logo are trademarks of Tencent Inc.

LEGO.com/devicecheck



LEGO® Builder

CULTIVATING DESERT POWER

🏠 *Dune* and *Dune: Part Two* have captivated long-term and new fans of the immersive universe created by Frank Herbert in his 1965 novel. Set in the year 10191, on the brink of an interstellar conflict, the story chronicles young Paul Atreides' rise to the calling of his noble heritage. By order of the omnipotent Emperor, Paul is thrust into unfamiliar territory on planet Arrakis, also known as Dune, which is inhabited by powerful desert warriors, the Fremen, and the only known planet to produce the precious spice. As the treacherous Baron Harkonnen turns against the Atreides family, Paul uncovers the deepest secrets of the planet, its people and his own destiny.

Riddled with gargantuan sandworms known to the Fremen as Shai-Hulud, the inhospitable desert world is perilous to travel by land. Flying vehicles are vital to survival. The ornithopter is built to withstand Arrakis' scorching heat, sandstorms and winds of more than 800 km/h (497 mph). It plays a pivotal role in several key sequences, starting with the Atreides family's arrival at the capital city of Arrakeen and Duke Leto's inspection of a spice-harvesting operation, where Paul first experiences the open desert. Reminiscent of a dragonfly, with no computer systems, the ornithopter's eight wings can fold up against its body while grounded or during quick dives, and flap rapidly when extended. The vehicle's landing legs retract to optimise its aerodynamic properties.



MEET THE MINIFIGURE CHARACTERS



PAUL ATREIDES

The son of a Duke, born into a destiny greater than his royal title, young Paul is thrust into an epic adventure of discovery that will take him across the galaxy to a barren and inhospitable world with danger around every corner. Paul must rise to conquer his fears as the fate of the galaxy rests on his young and untested shoulders.



DR. LIET-KYNES

Imperial Planetologist and Judge of the Change, assigned by the Emperor to oversee the smooth transition of power on Arrakis. An expert on the planet and the ways of its people, her connection to Dune goes beyond mere duty – she has forged a bond with the land and its inhabitants that has made her more Fremen than Imperial.



DUKE LETO ATREIDES

Duke Leto is a man guided by two watchwords: honour and duty. The noble and beloved head of House Atreides, he must lead his people in an exodus to a new world and protect his son, Paul, as malevolent forces gather, threatening to permanently erase the Atreides name from the pages of history.



LADY JESSICA

A mother and leader bonded unbreakably with her son – a royal heir with a far-greater destiny. In motherhood, what began as an act of duty became an act of love. Skilled at influencing others by wielding the mysterious powers of her Bene Gesserit voice and mind, she must prepare Paul to one day lead an army as the last light of hope to save a universe from falling into darkness.



GURNEY HALLECK

Trusted advisor of Duke Leto and Warmaster of House Atreides, Gurney Halleck is an irreverent and quick-witted artist with a sword, and is equally skilled at wielding a song with his chosen instrument, the baliset. Gurney will do whatever it takes to protect the Duke and his family — people as dear to him as the family he lost to the Harkonnens.



CHANI

A powerful Fremen warrior, Chani is a mysterious vision with haunting blue eyes who visits Paul's dreams, calling him to an unknown destiny beyond the far reaches of the galaxy. When she is revealed to be more than just a dream, Paul is haunted by a new mystery: how can two people who have never met know each other so intimately?



DUNCAN IDAHO

Known as the 'killer extraordinary', Duncan is a tactical combat expert and confidant loyal to House Atreides. The most gifted Swordmaster in the Known Universe, he is always watching the horizon in a world of unknown dangers. Forging a bond with young Paul and Duke Leto, Duncan is the first Atreides soldier sent by the Duke to scout out the forbidding planet of Dune.



BARON VLADIMIR HARKONNEN

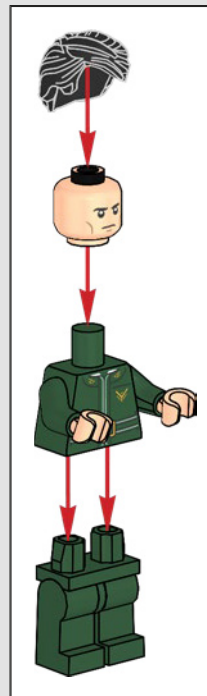
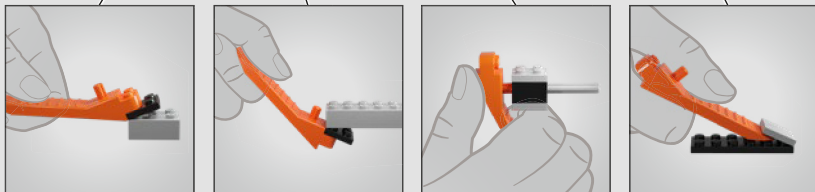
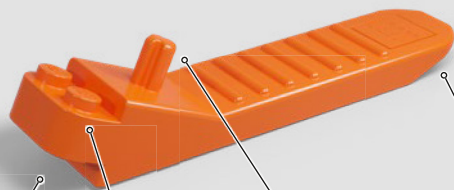
A Machiavellian force of malevolence, determined to feed his addiction to brutality. A gravity-defying monster of a man, gliding through the air like a phantom of cruelty, the figurehead of House Harkonnen rules through fear, determined to take back the throne and reclaim the spice-rich sands of Dune from House Atreides. While this black-blooded tyrant breathes, no one is safe.

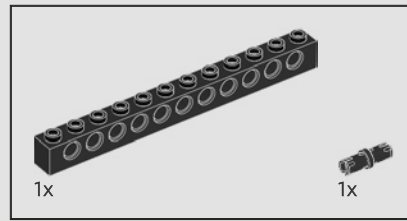
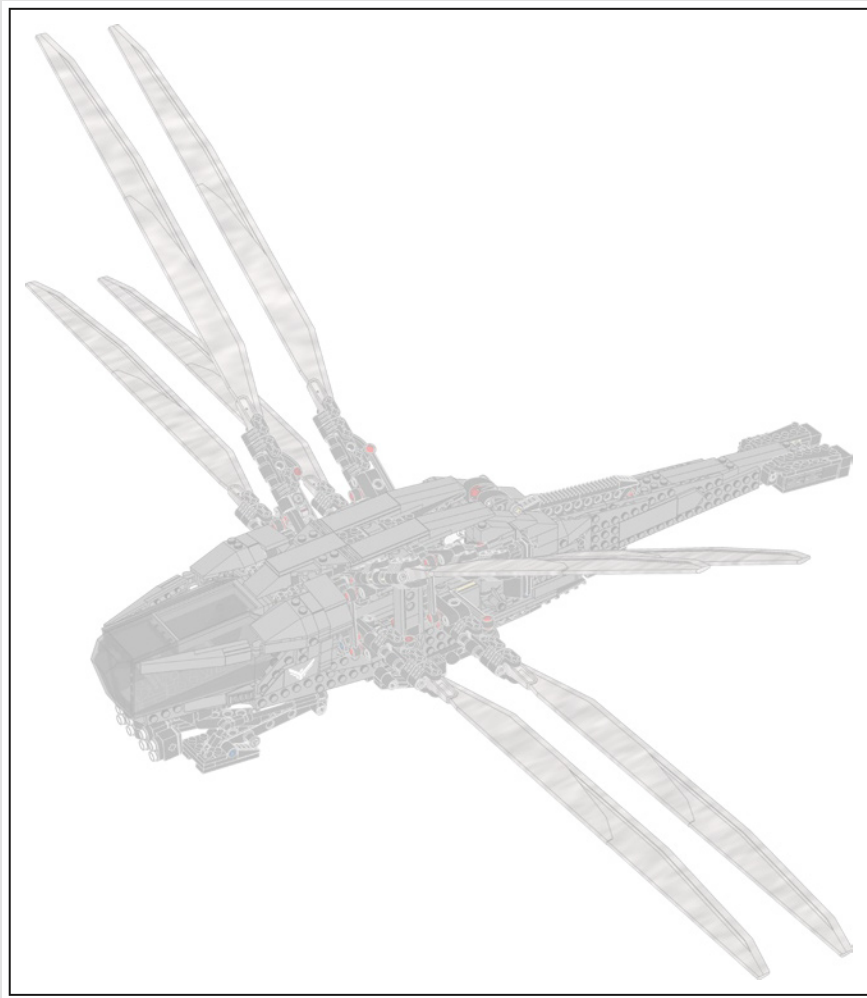


FROM THE LEGO® DESIGN TEAM

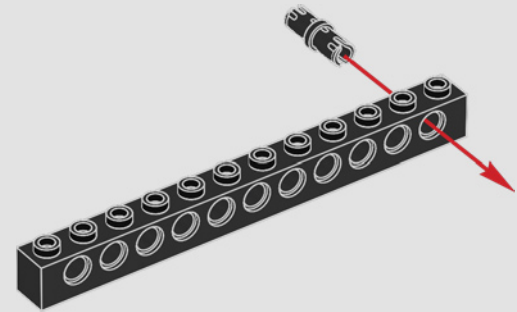
🟡 "This LEGO® model is a minifigure-scale recreation of the House Atreides Royal Ornithopter from *Dune*. That design stayed very true to the description in Frank Herbert's novel and we thought it would be exciting to recreate it in a LEGO version. We received a cornucopia of reference material from Legendary and the film's award-winning production designer, Patrice Vermette, that showed details of how all the functions worked and how the model should look. The film version was built on set by Patrice and his team, including full-scale models with wings. It was our job to make them 'real'. And, of course, we had to include the wings' flapping and folding mechanisms. Those were some of the trickiest functions, in part because of how they needed to fit and unfold in so many ways around the model. For the landing legs' extend/retract function, we used specialised LEGO Technic elements to get them working exactly how we wanted. They are all linked and need to fit inside the tight spaces in the body of the vehicle. We hope you enjoy building (and flying) your own ornithopter!"

*Mike Psiaki,
LEGO® Icons Design Master*

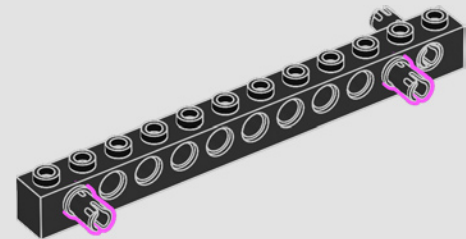


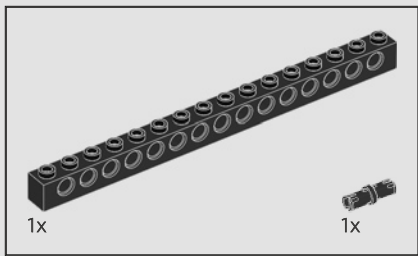


1

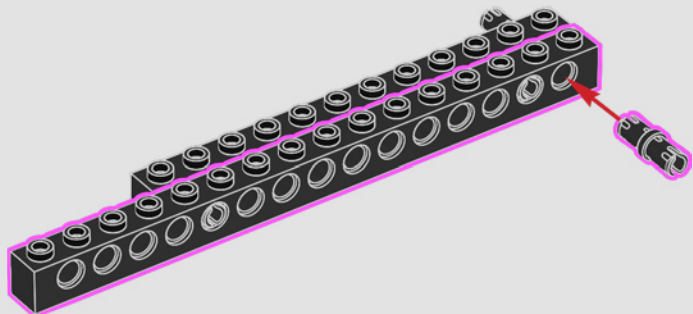


2

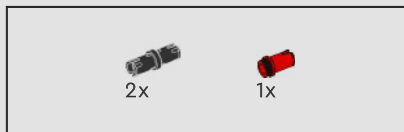
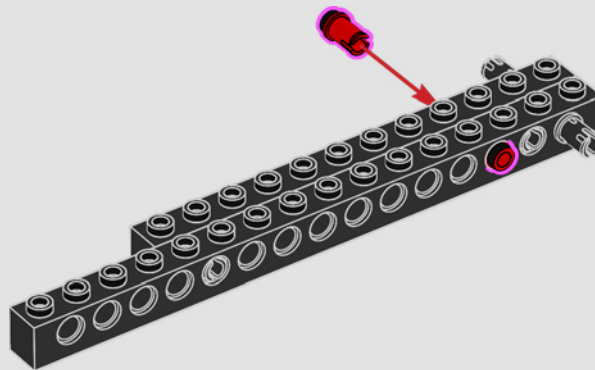




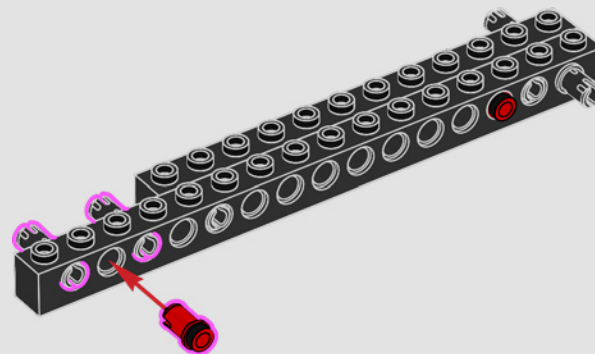
3

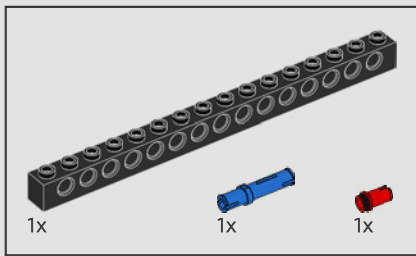


4

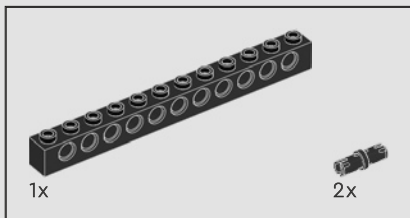
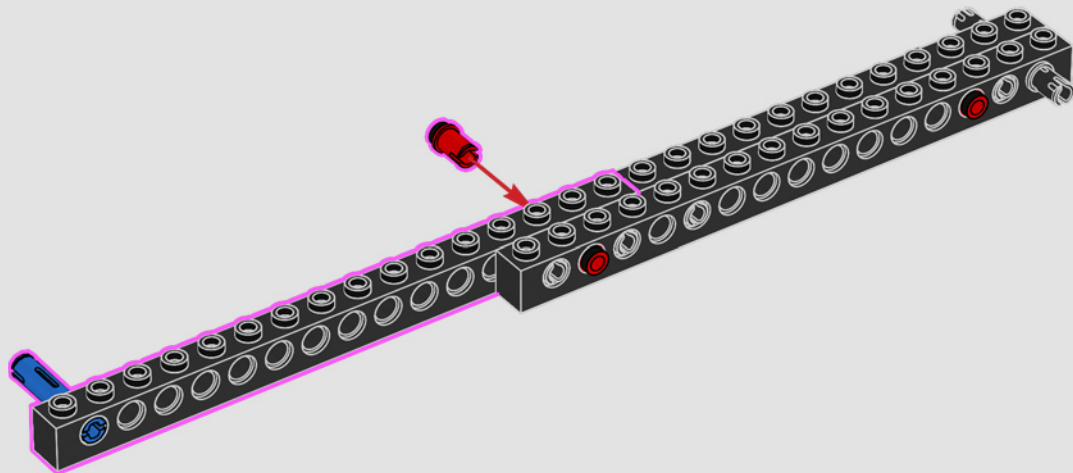


5

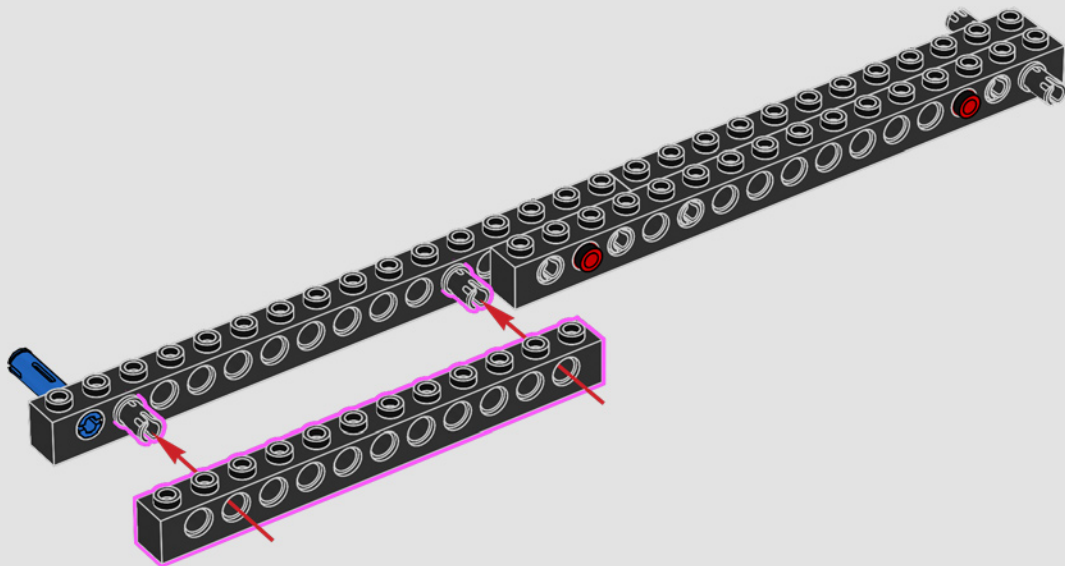


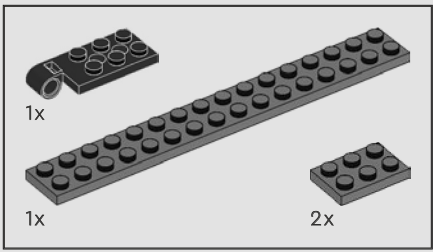


6

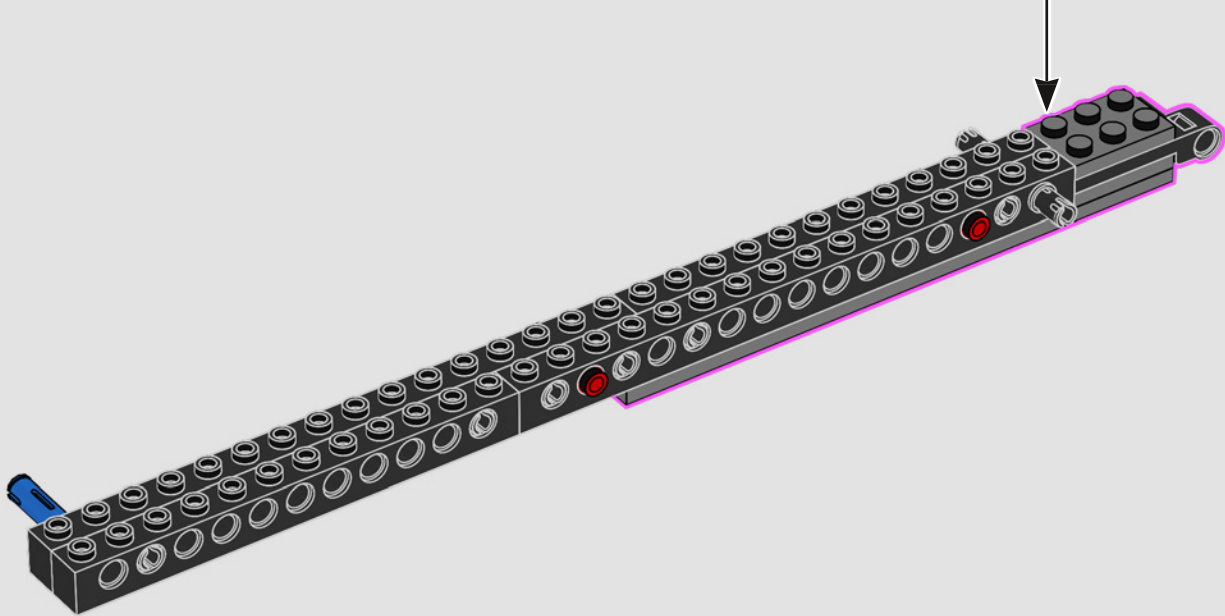
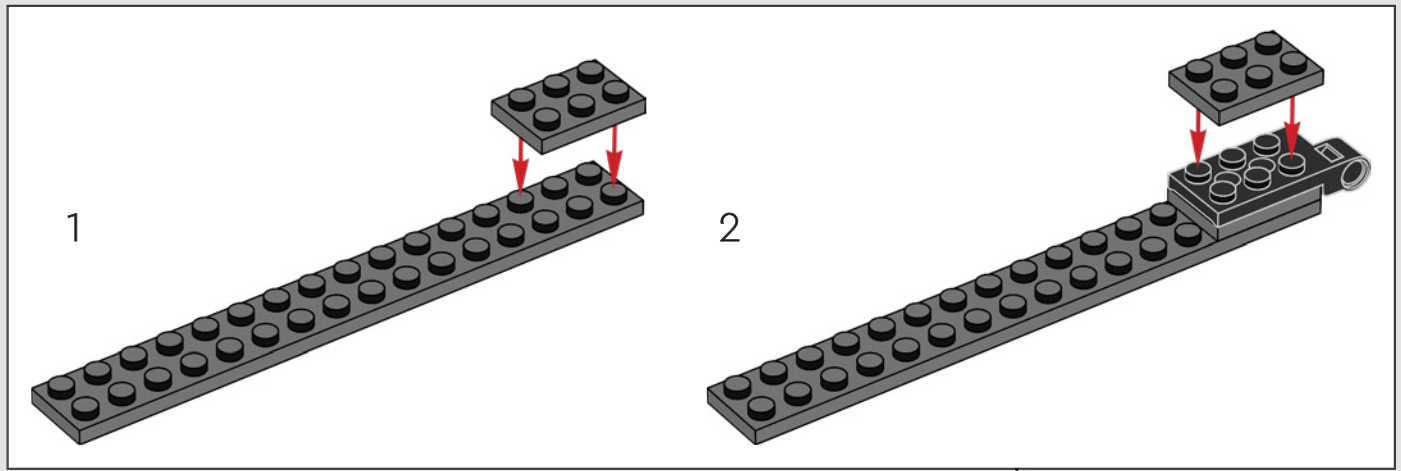


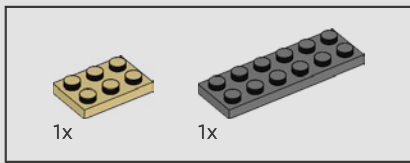
7



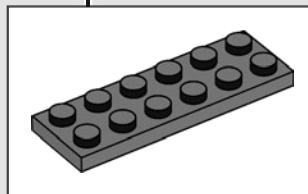
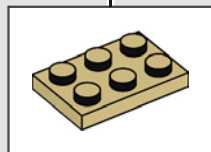
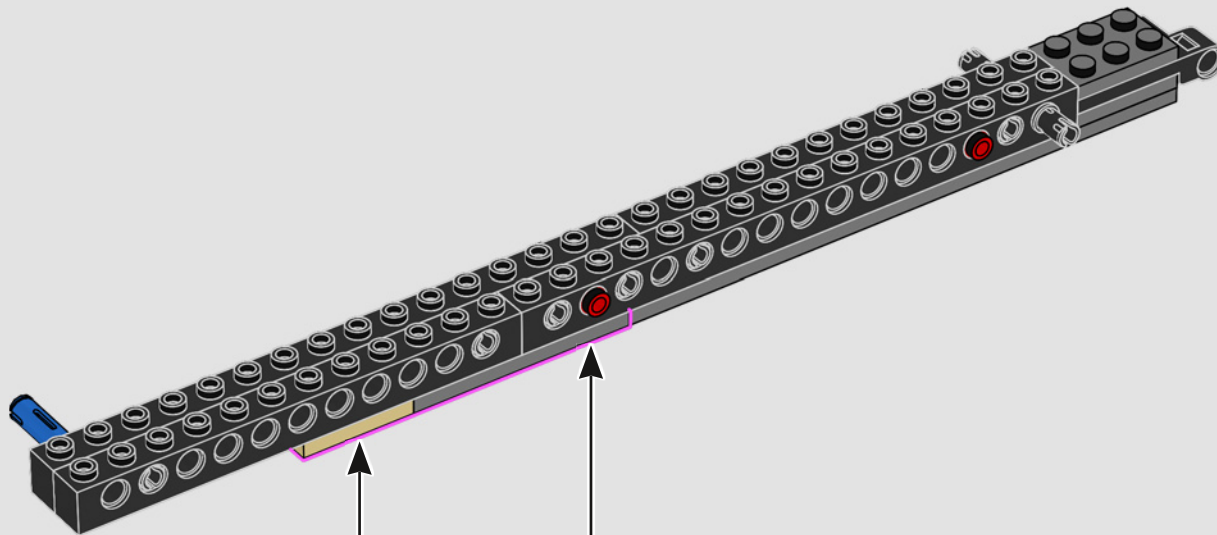


8



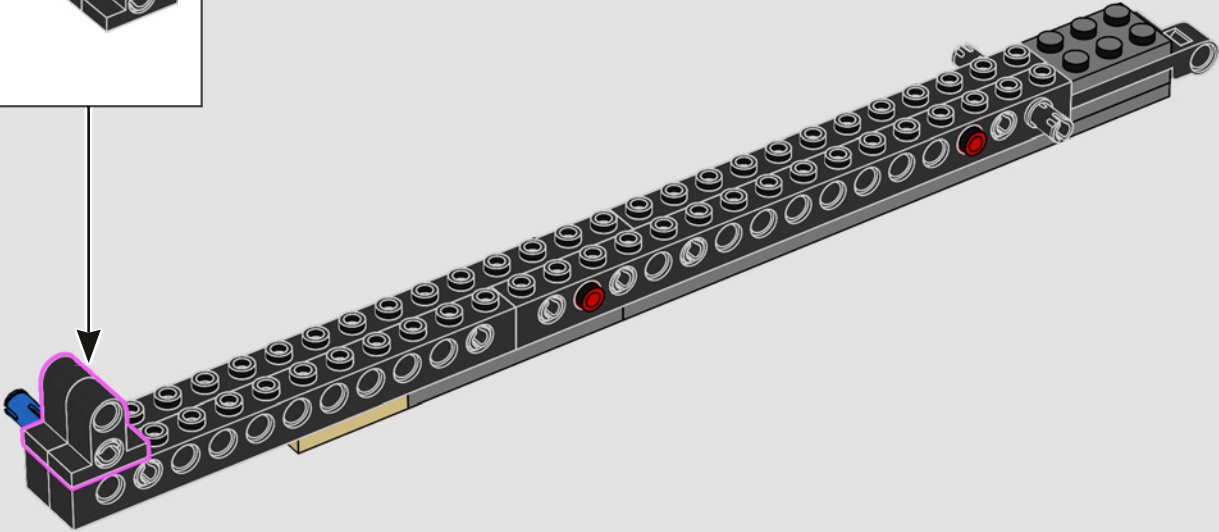
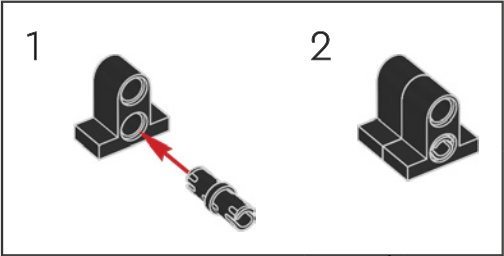


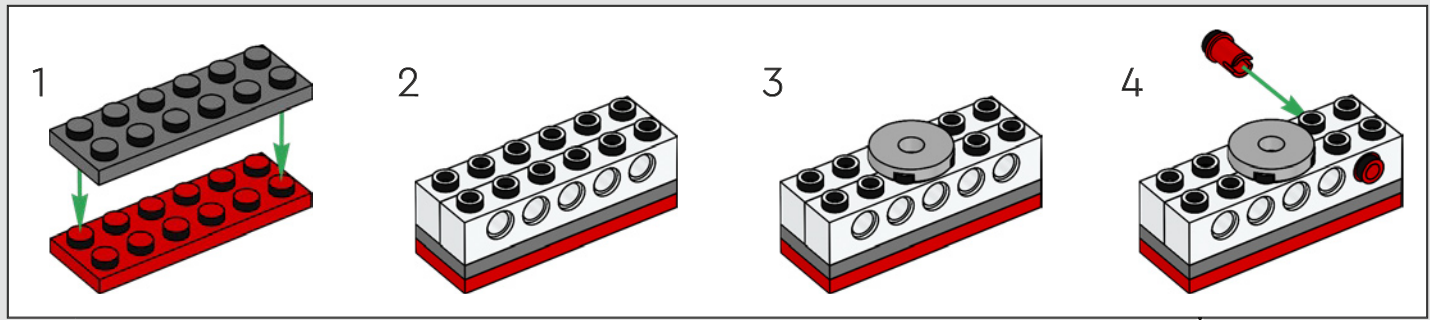
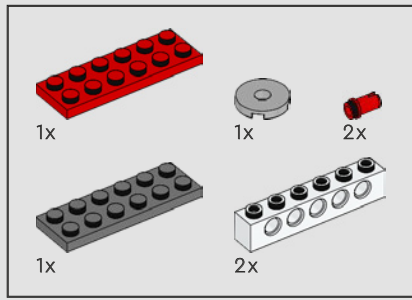
9



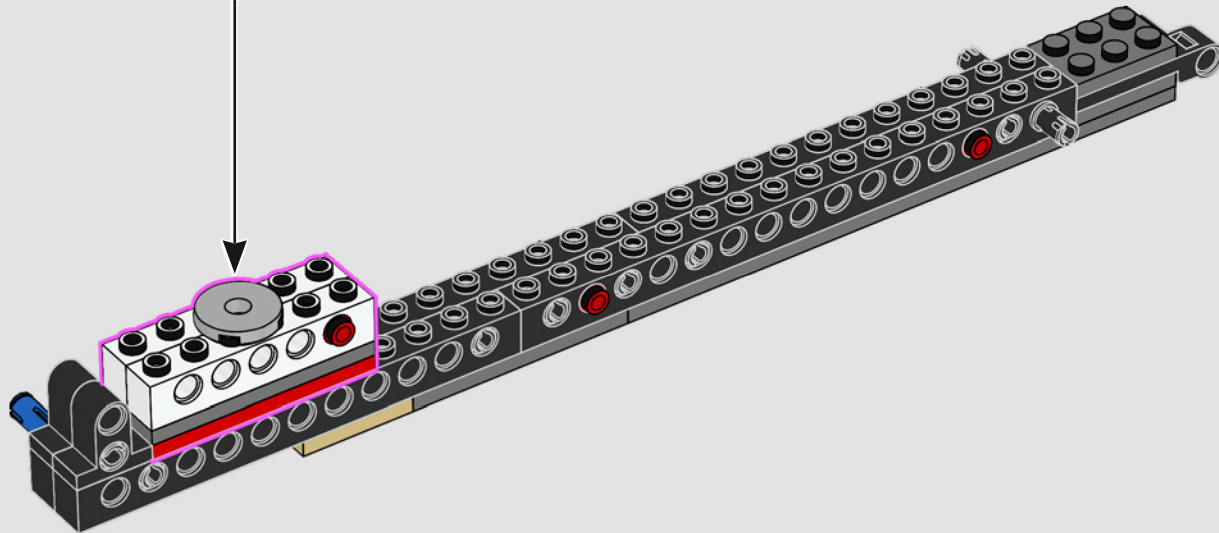


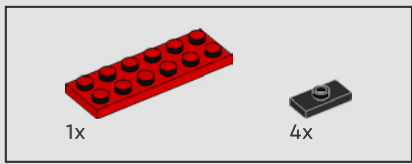
10



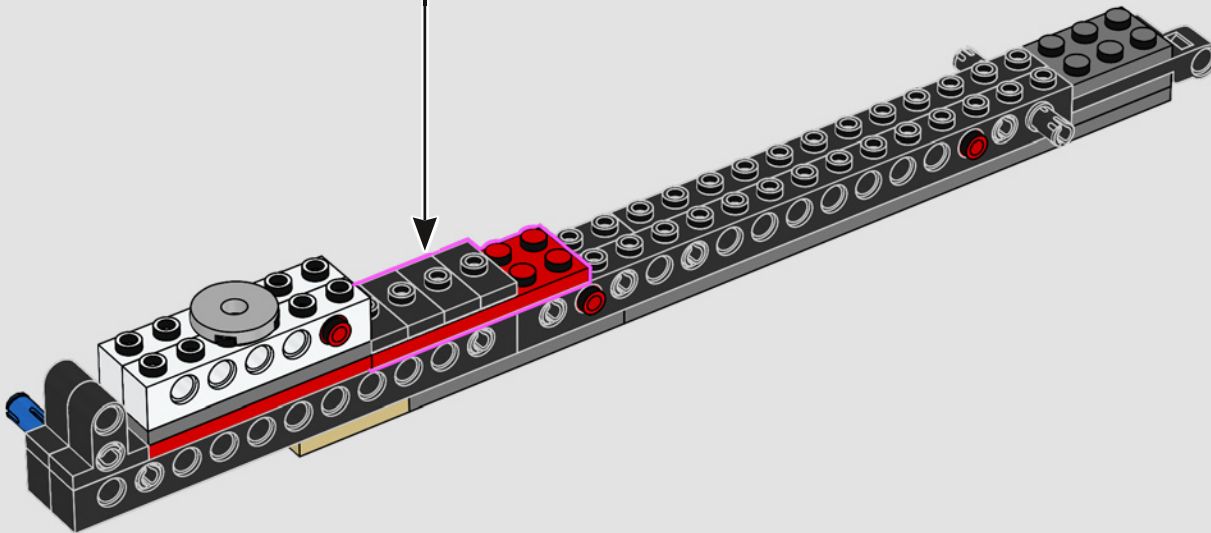
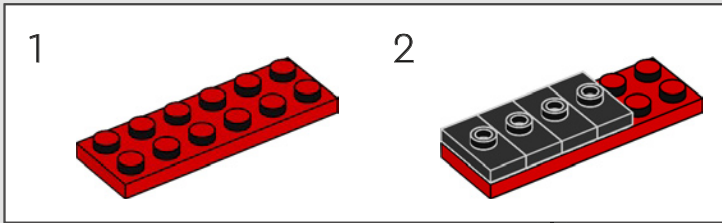


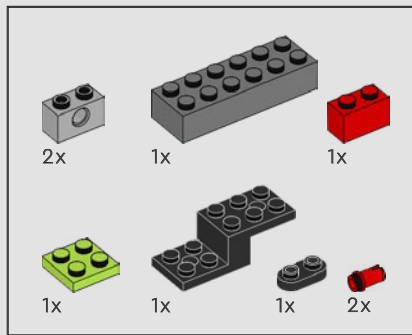
11



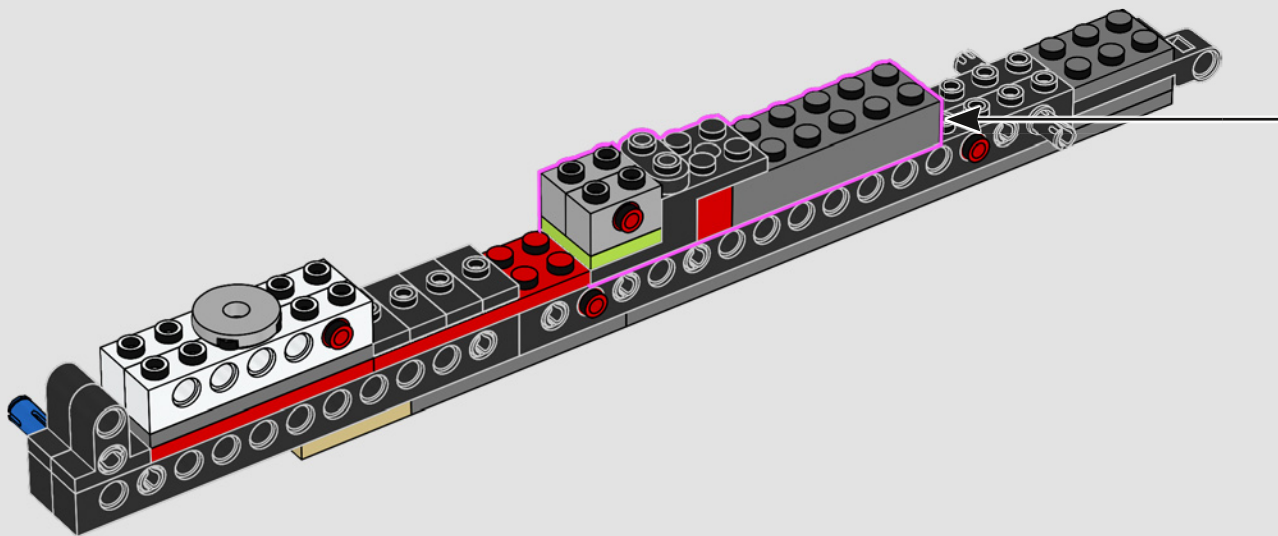
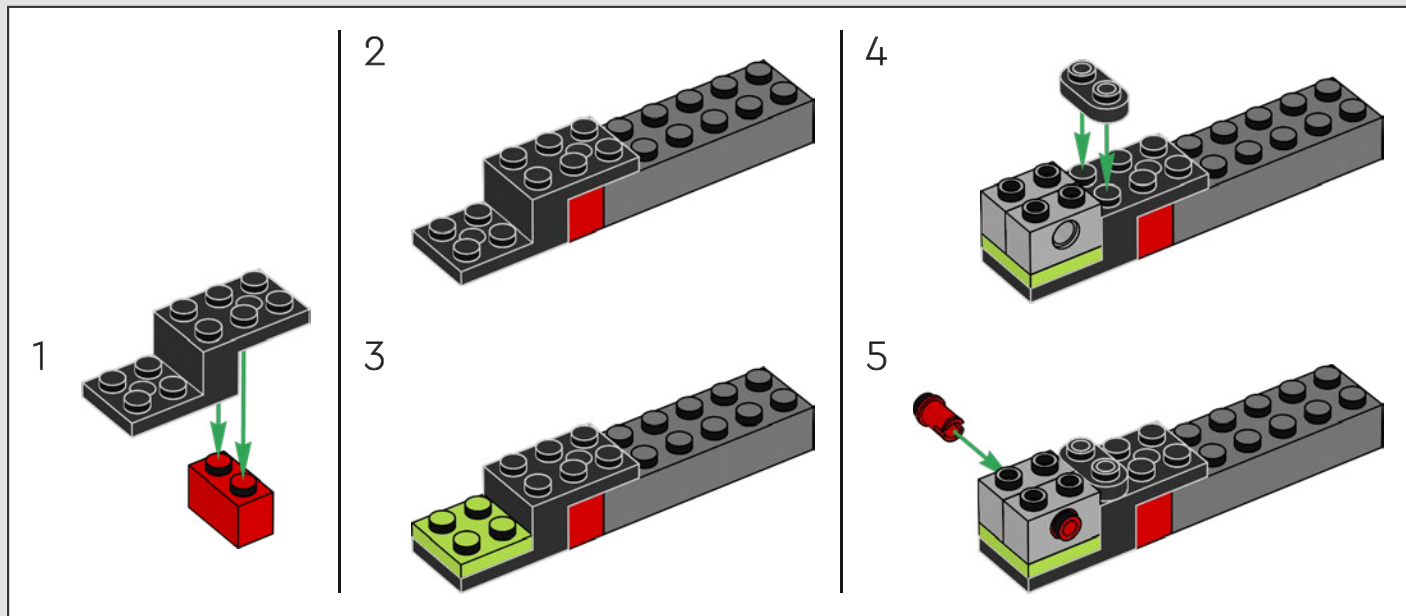


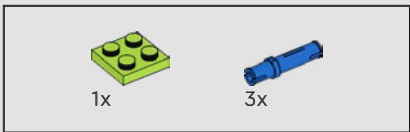
12



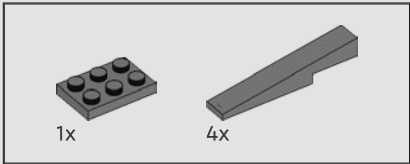
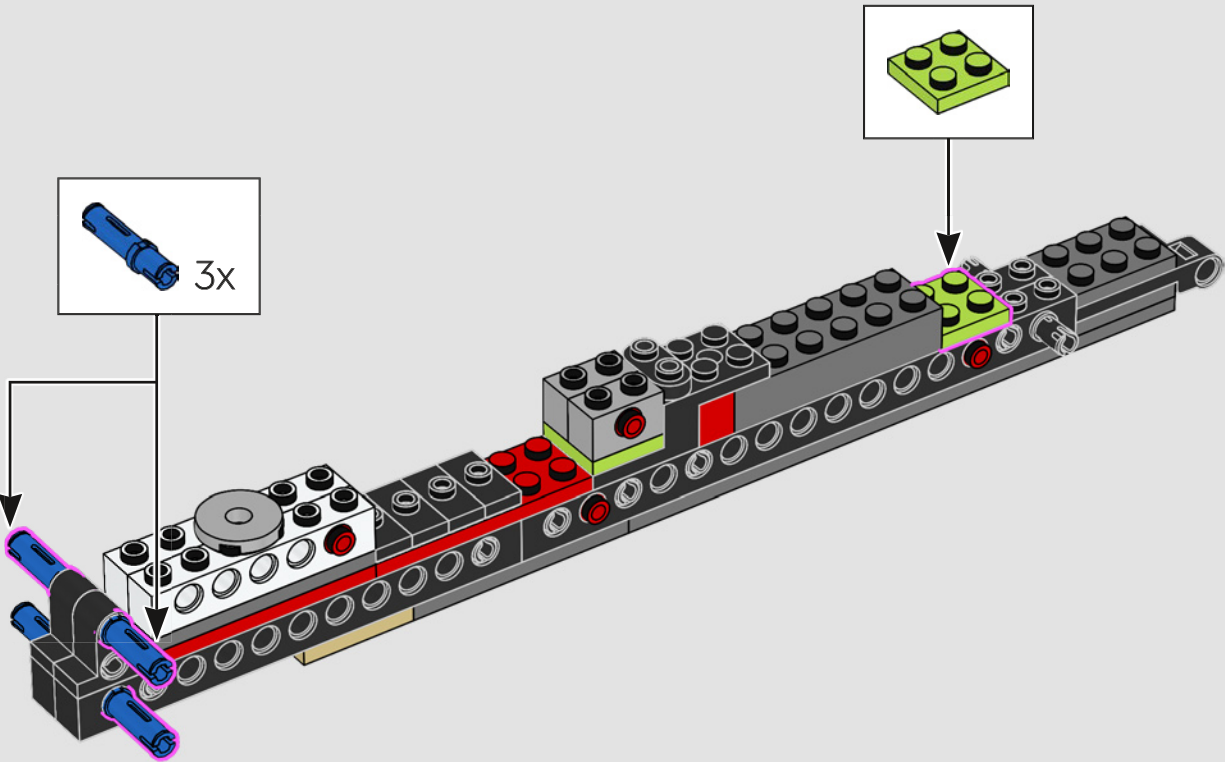


13

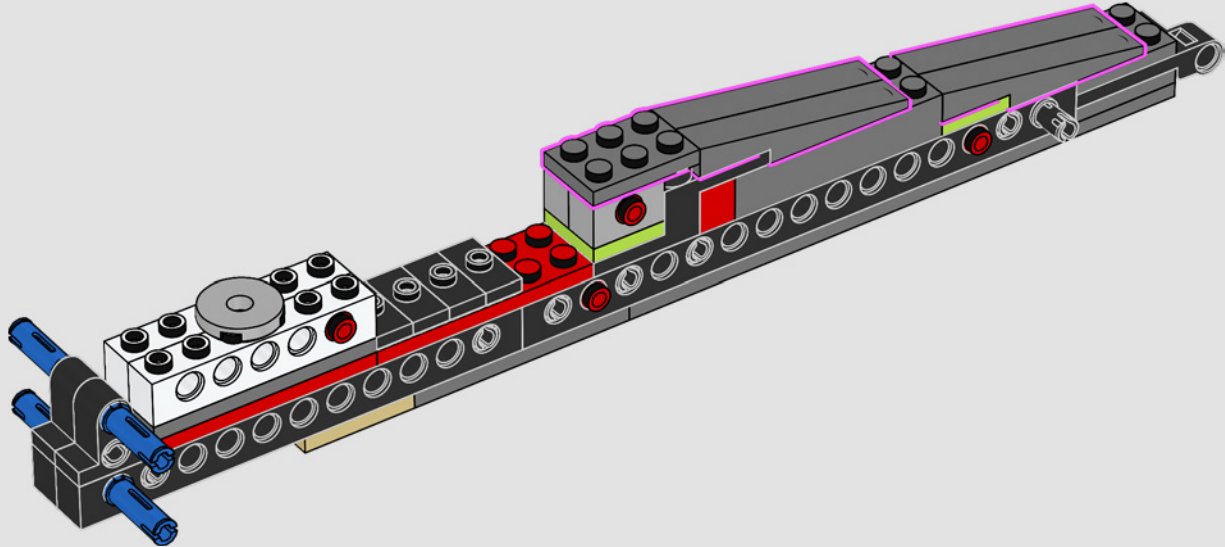


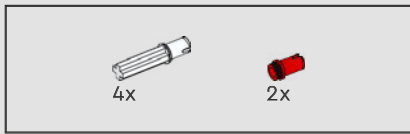


14

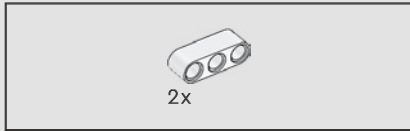
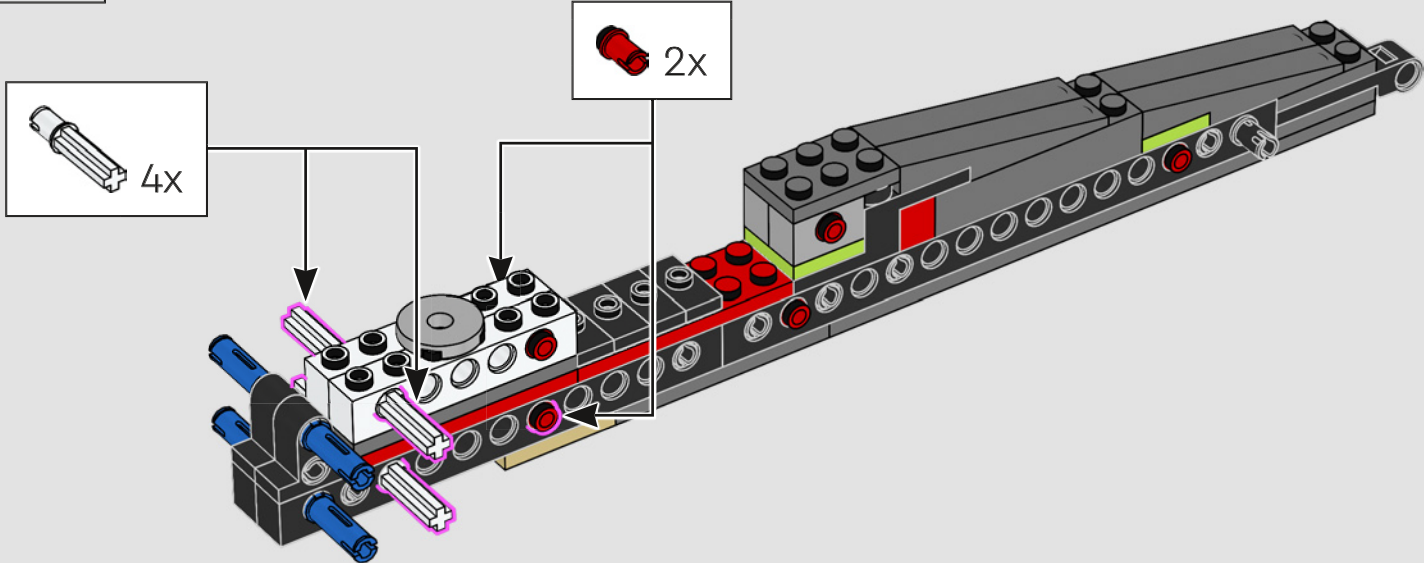


15

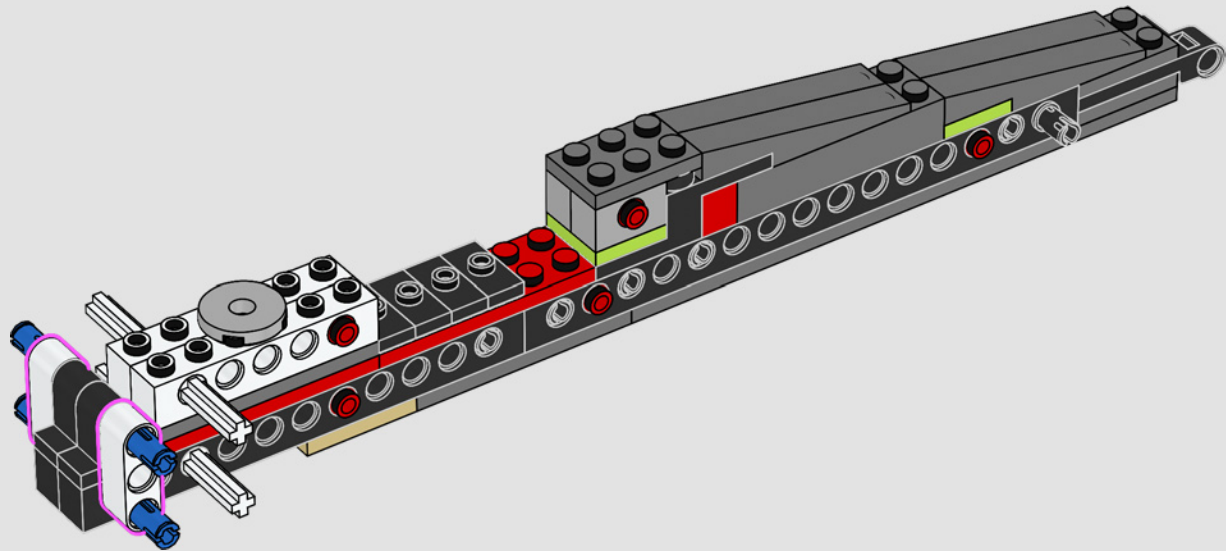


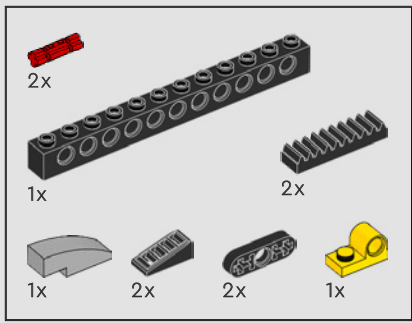


16



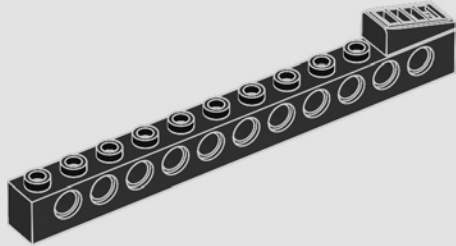
17



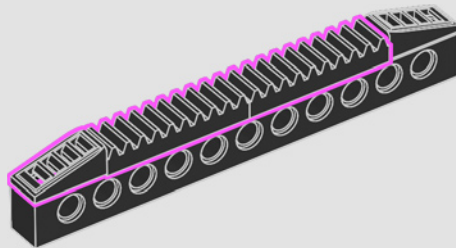


18

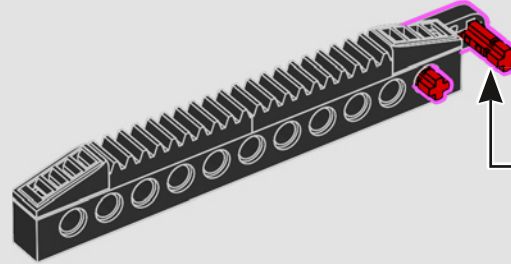
1



2



3



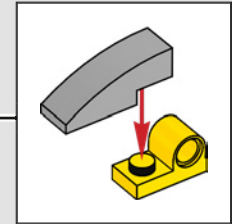
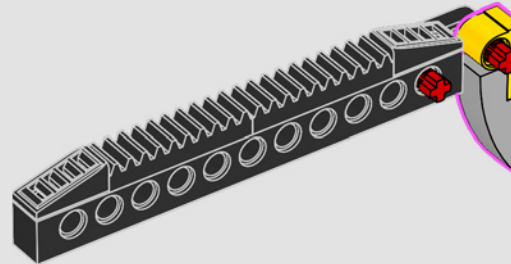
1



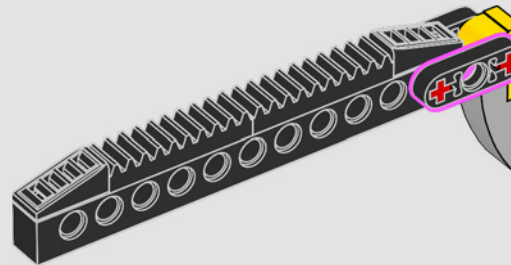
2



4

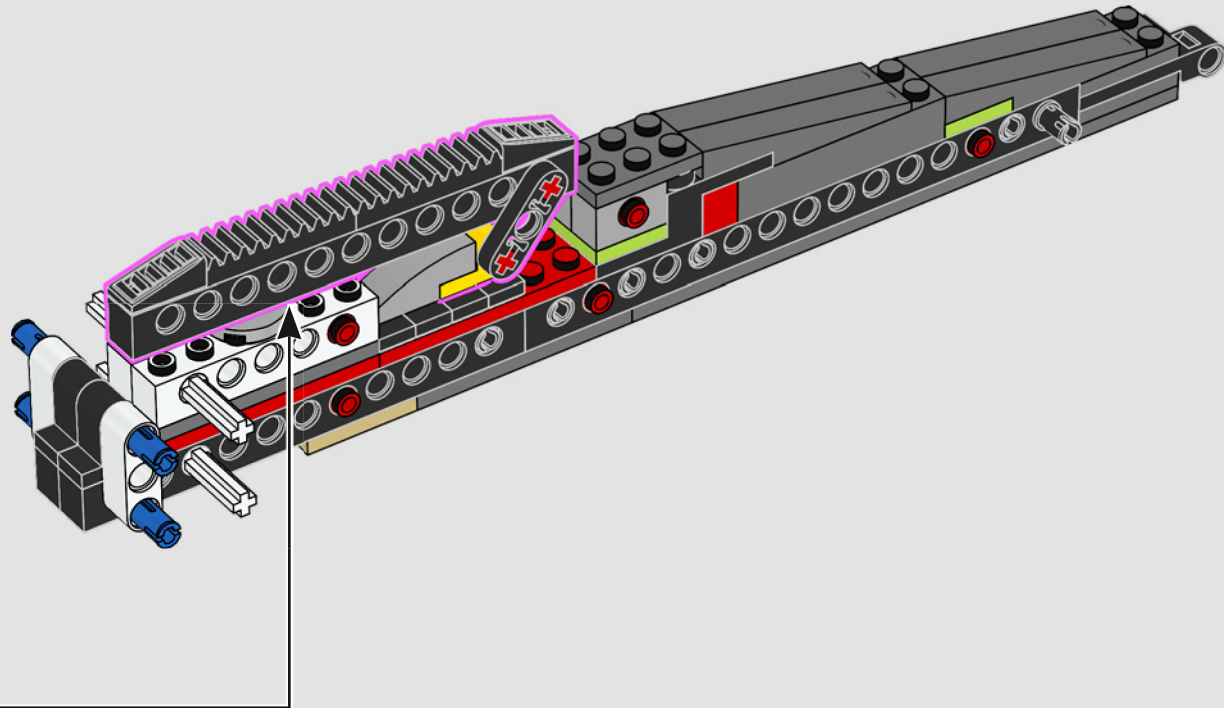


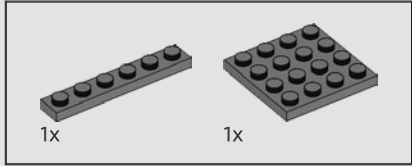
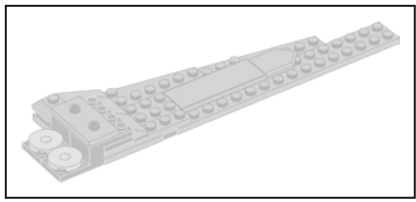
5



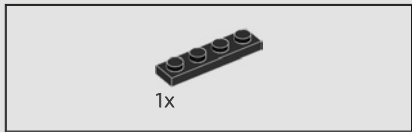
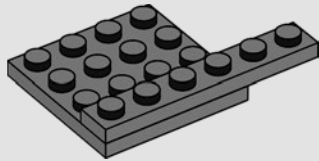


This part will form the lever to make the wings flap.

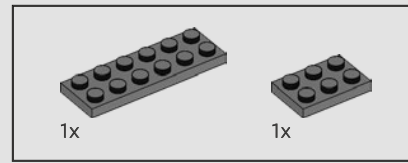
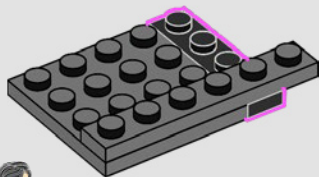




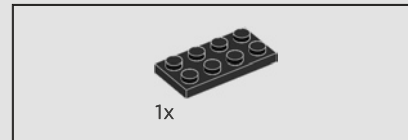
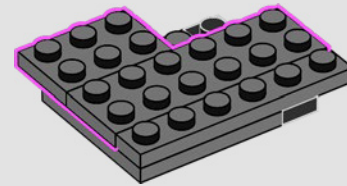
19



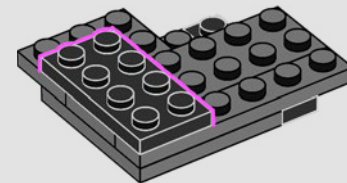
20

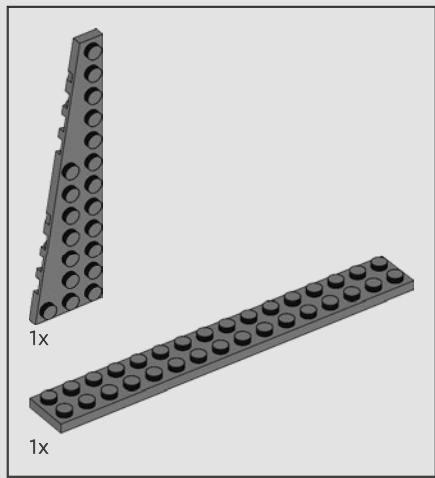


21

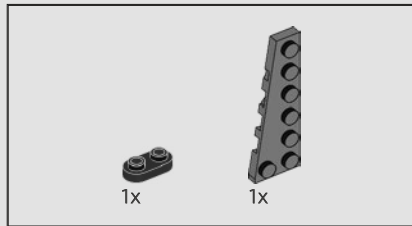
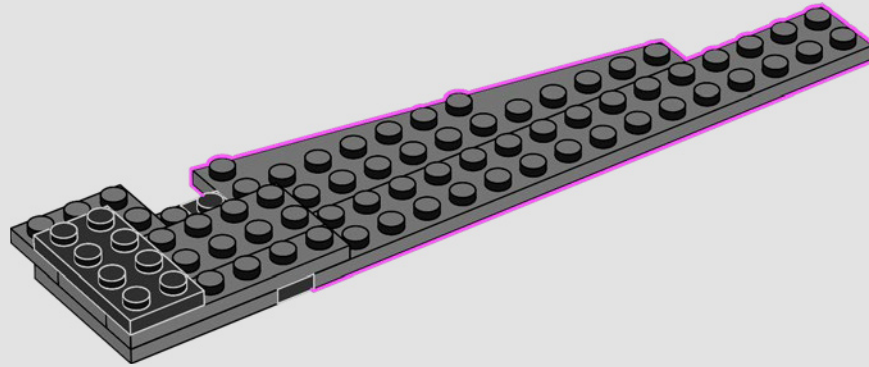


22

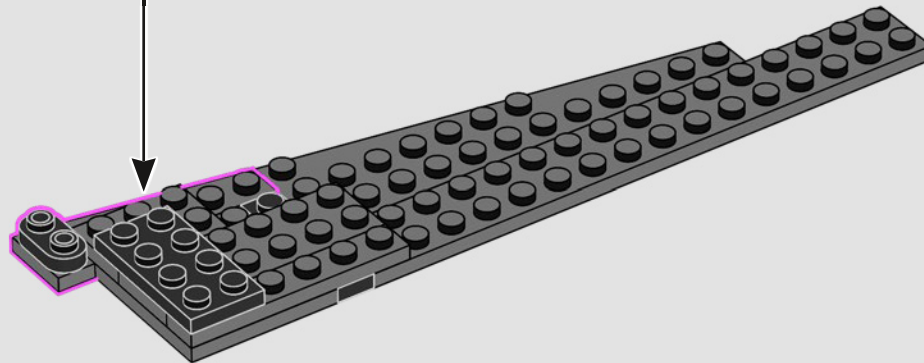
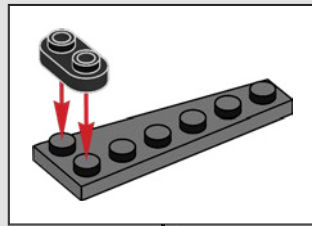


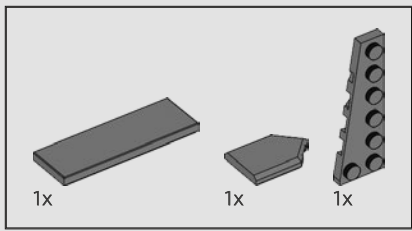


23

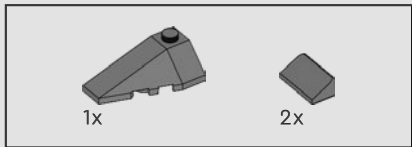
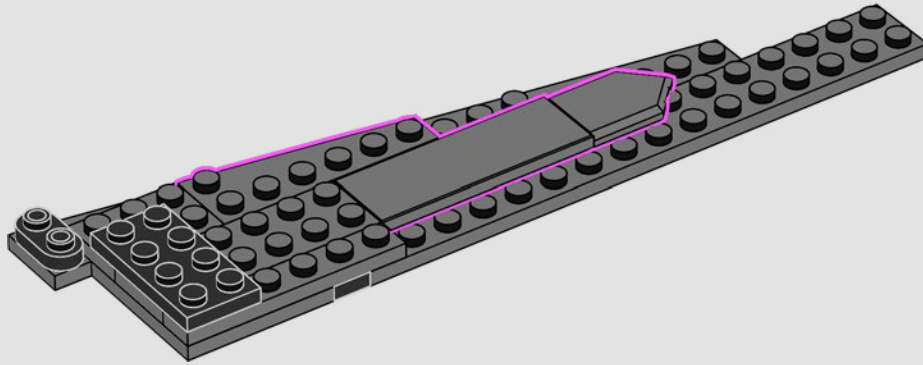


24

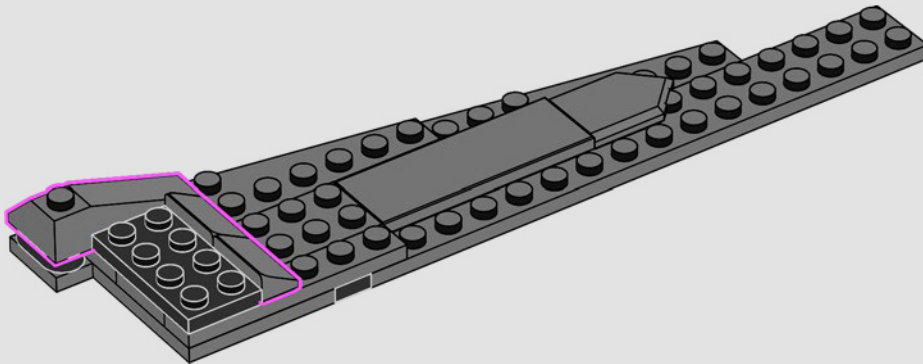


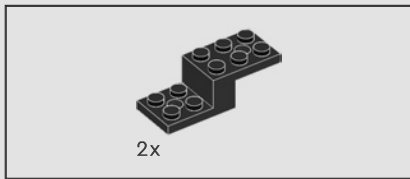


25

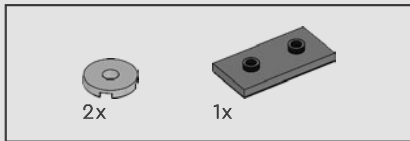
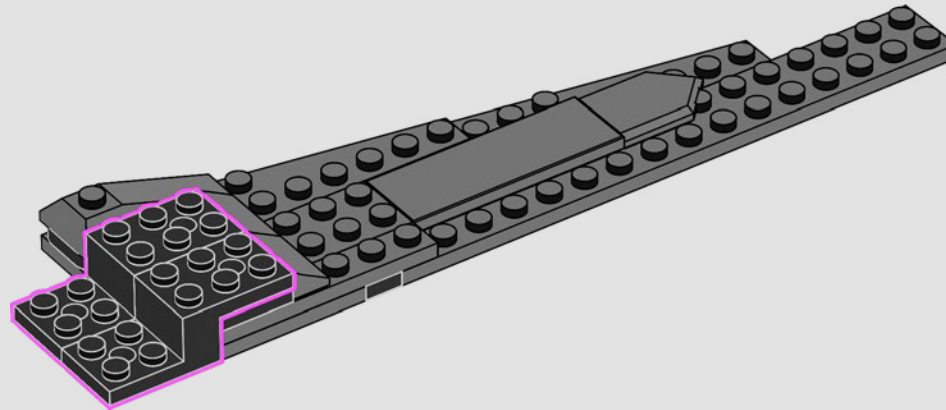


26

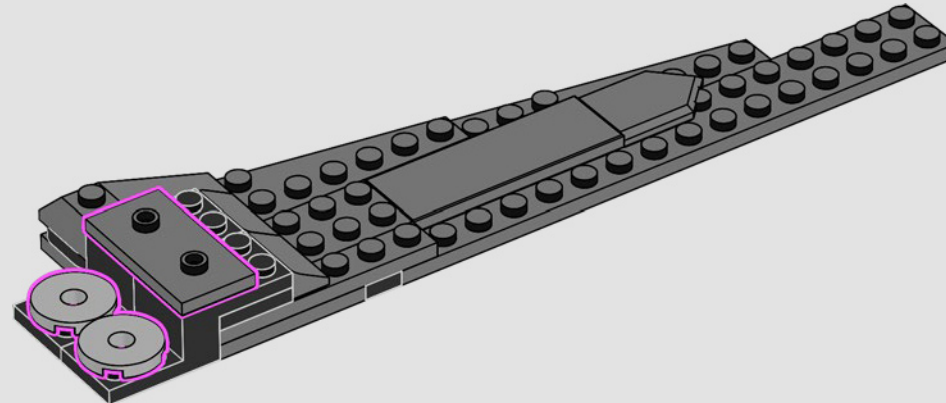




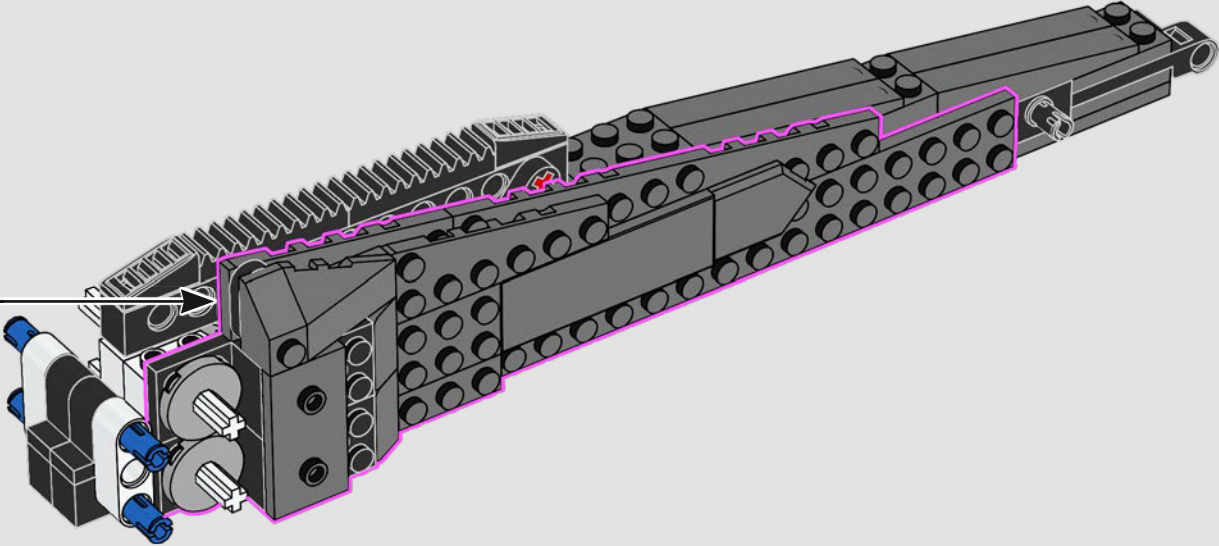
27

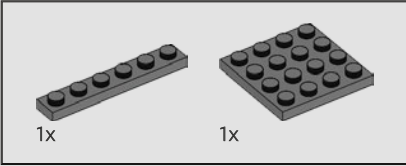
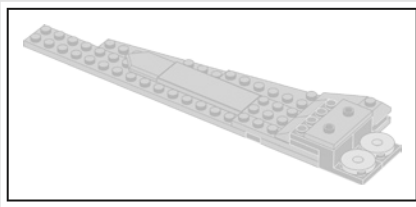


28

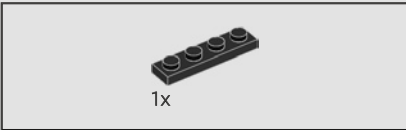
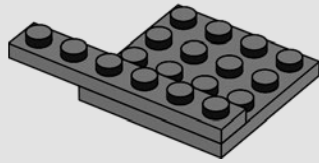


29

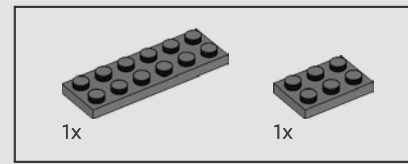
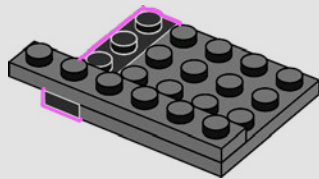




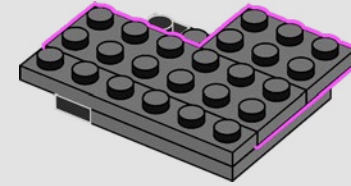
30



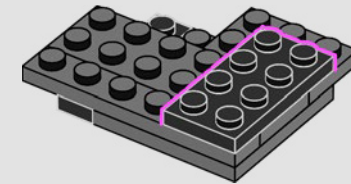
31

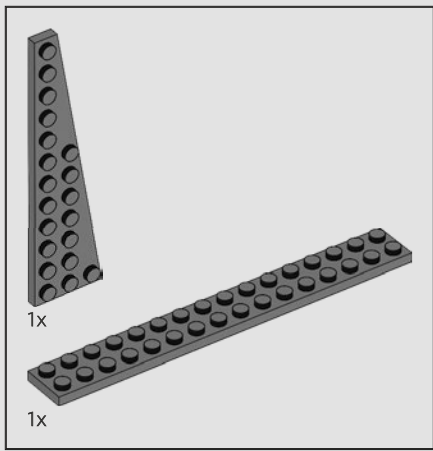


32

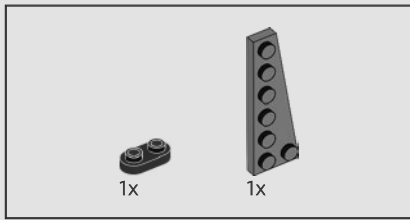
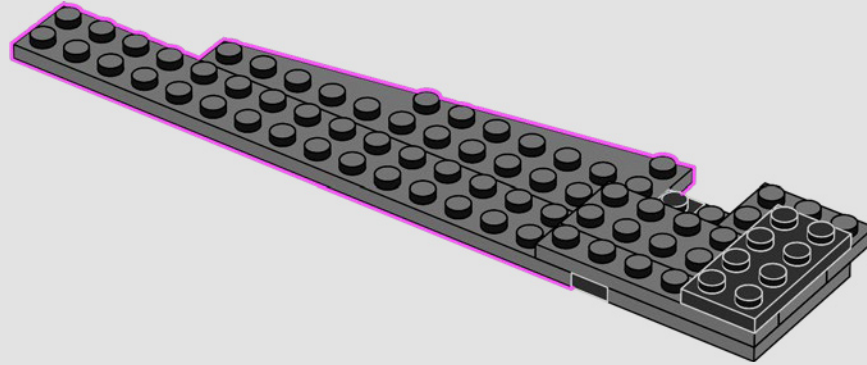


33

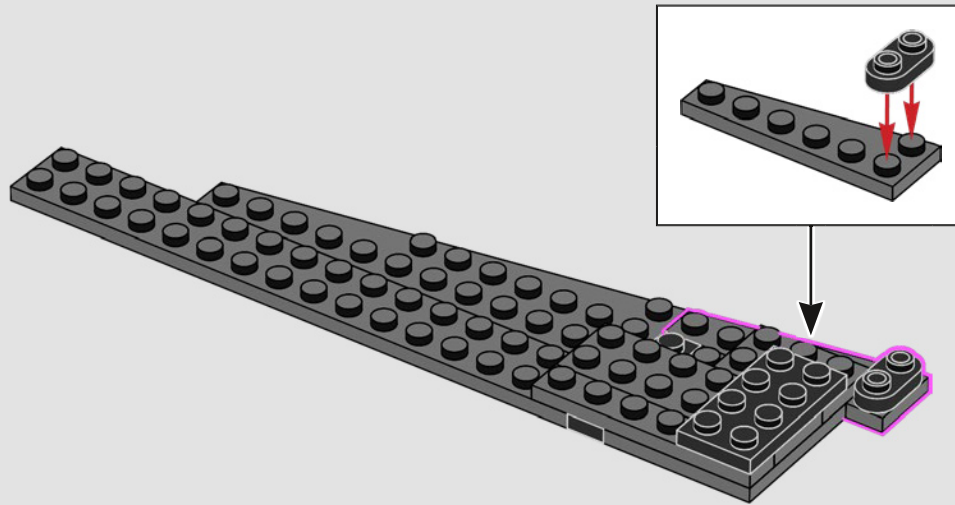


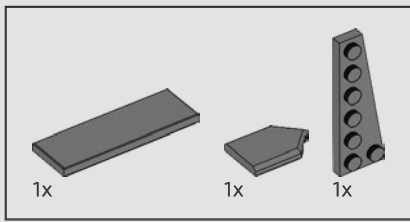


34

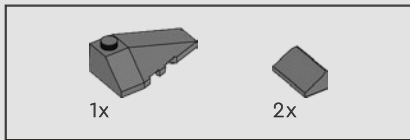
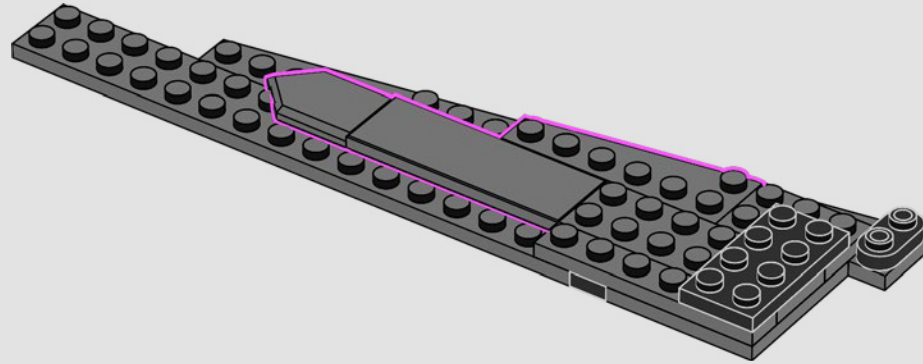


35

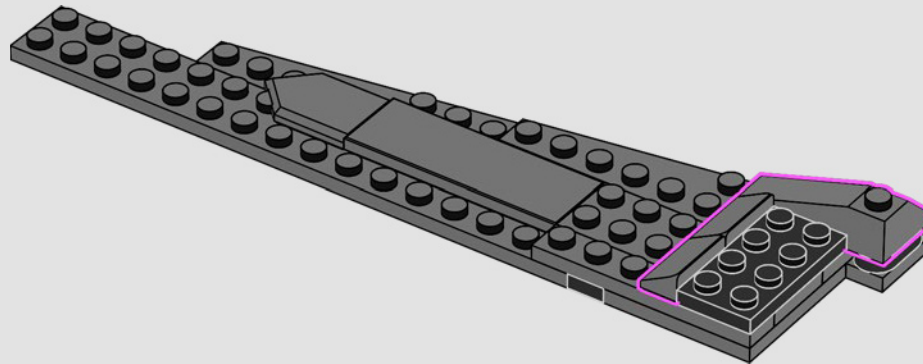


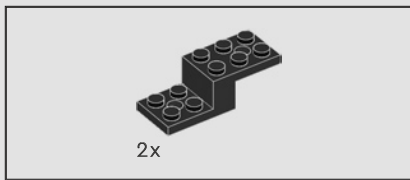


36

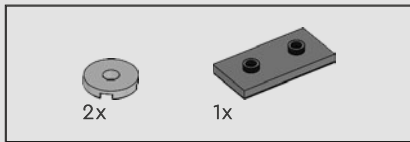
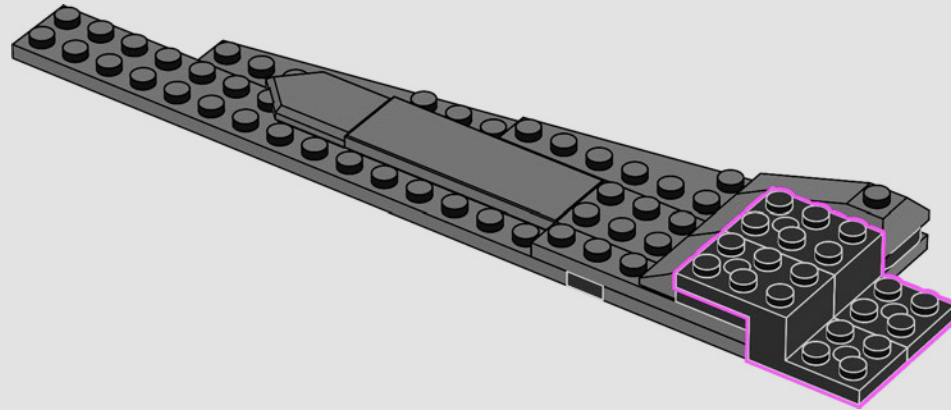


37

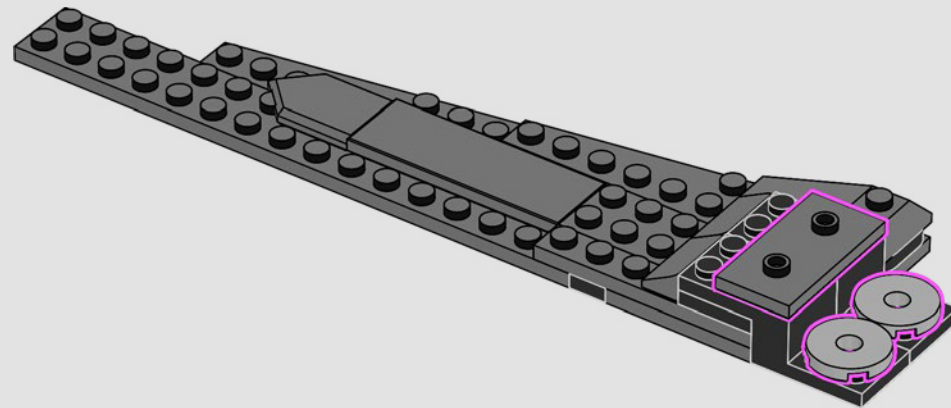




38



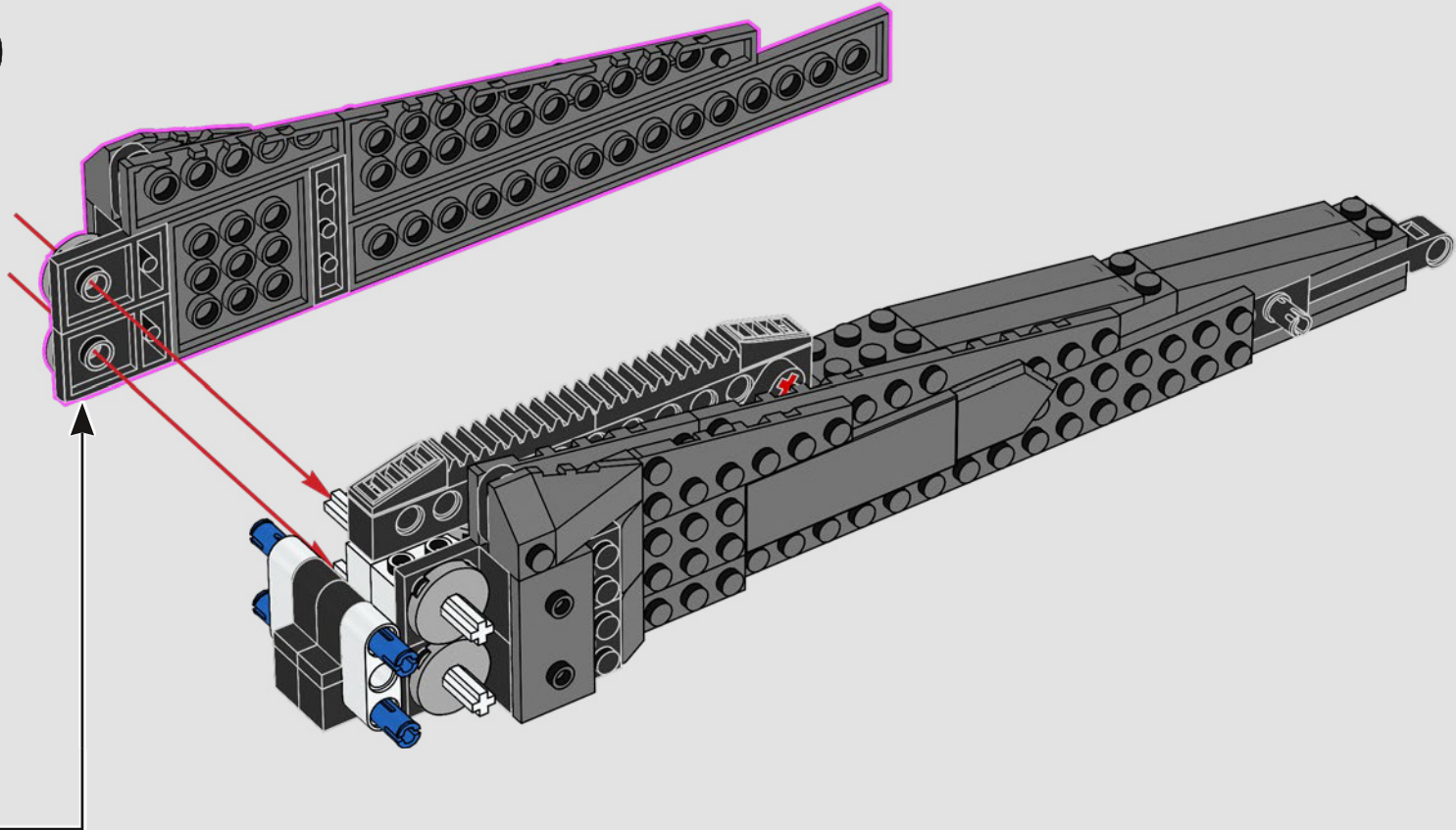
39

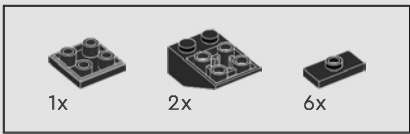




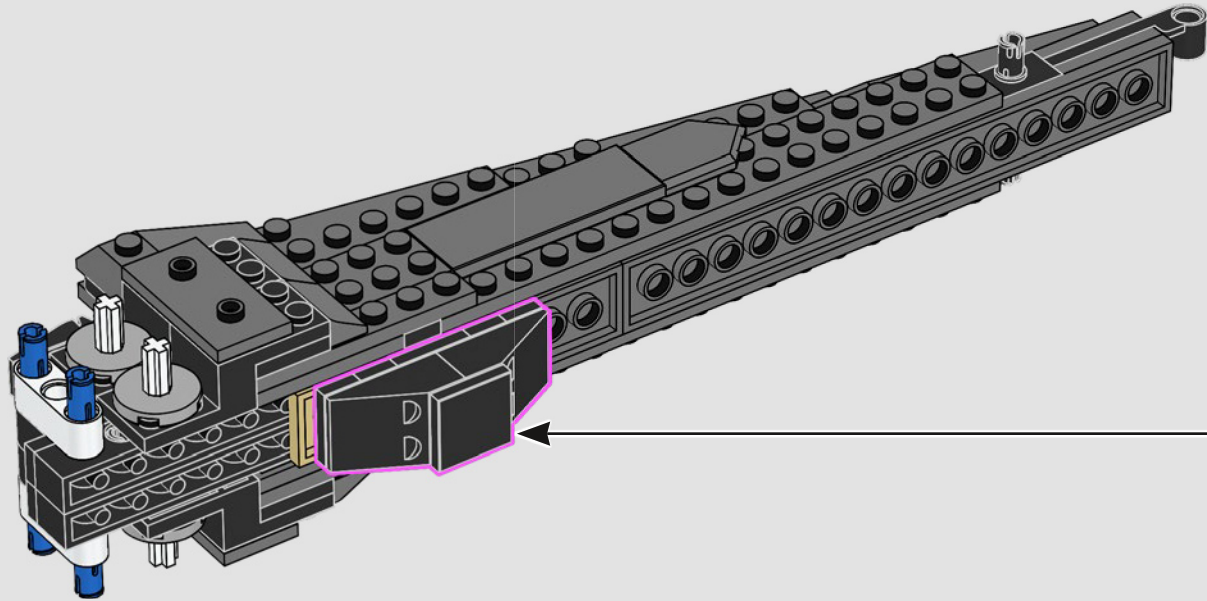
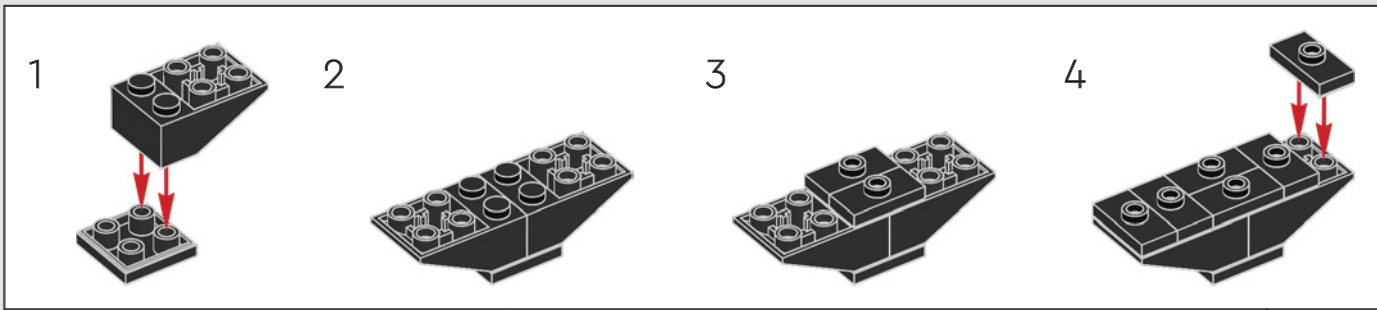
The tail will form the handle to hold the vehicle,
so it's important that it's super strong!

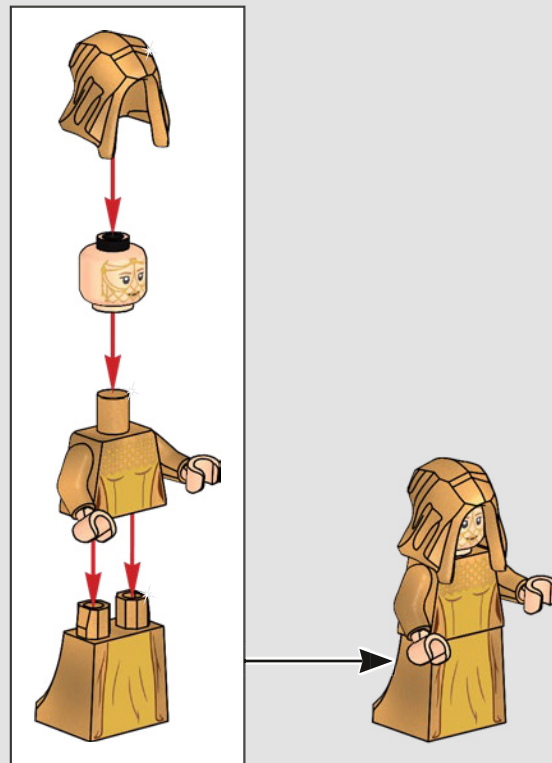
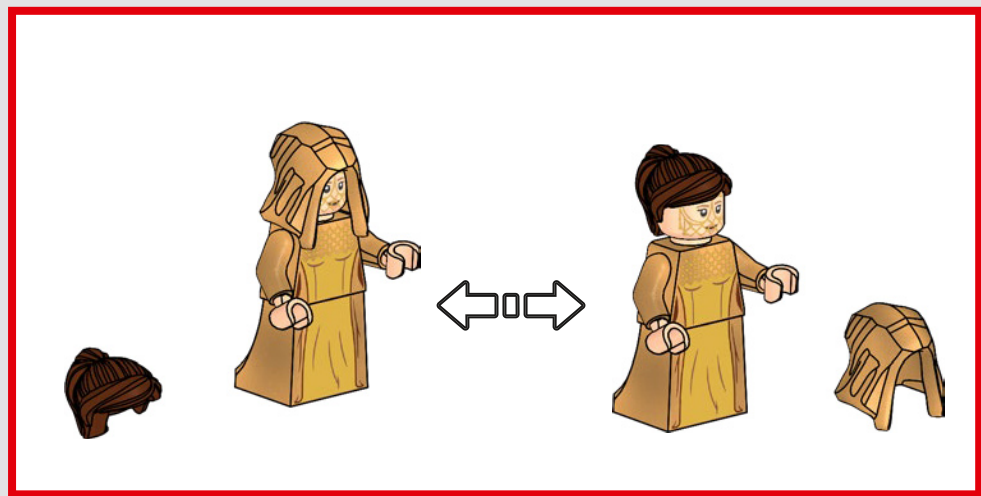
40

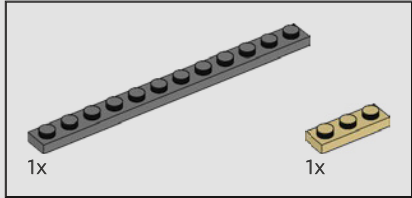
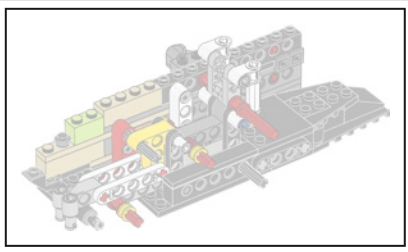




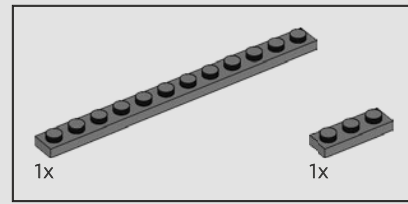
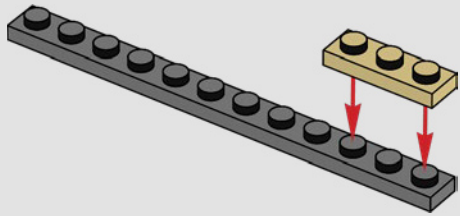
41



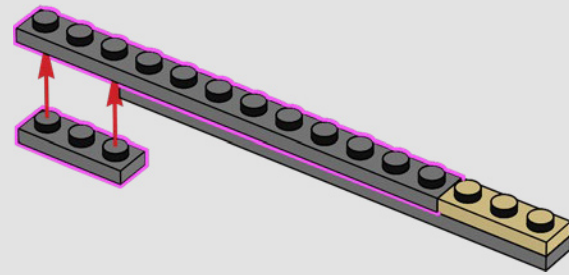


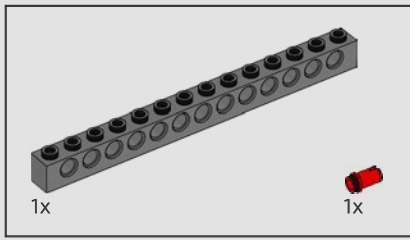


42

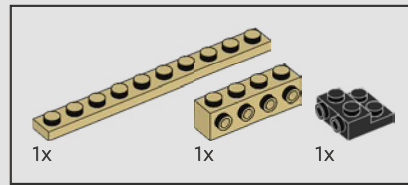
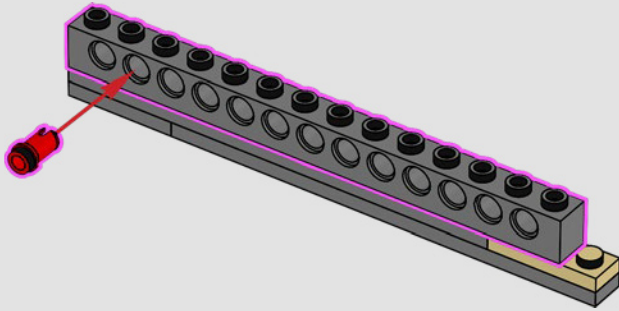


43

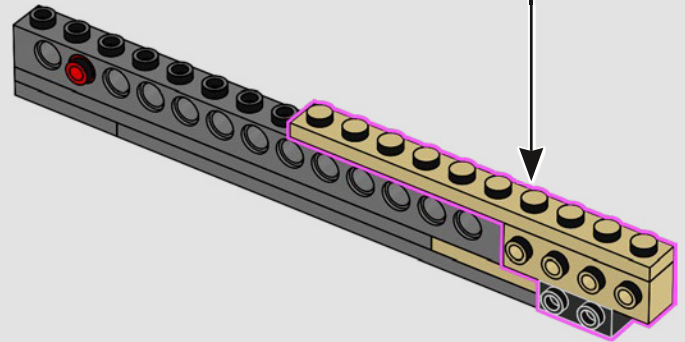
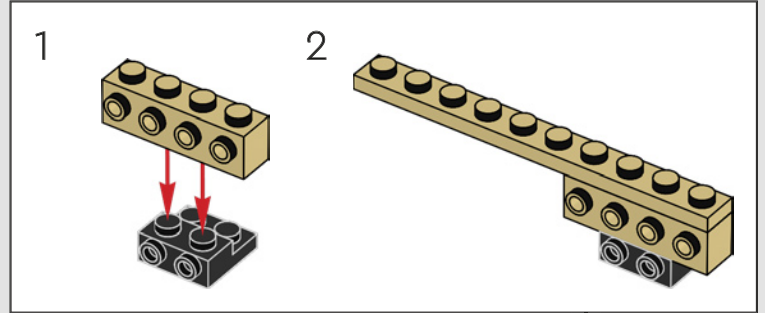


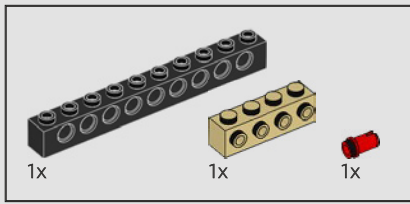


44

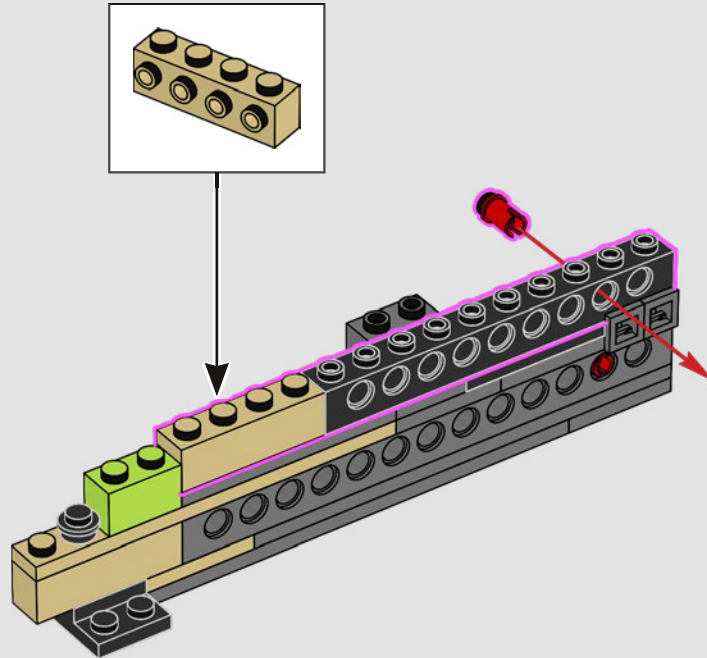


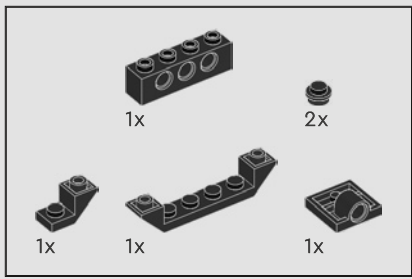
45





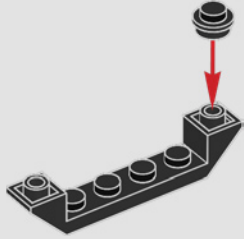
48



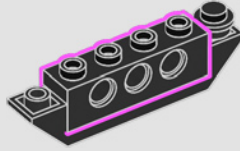


49

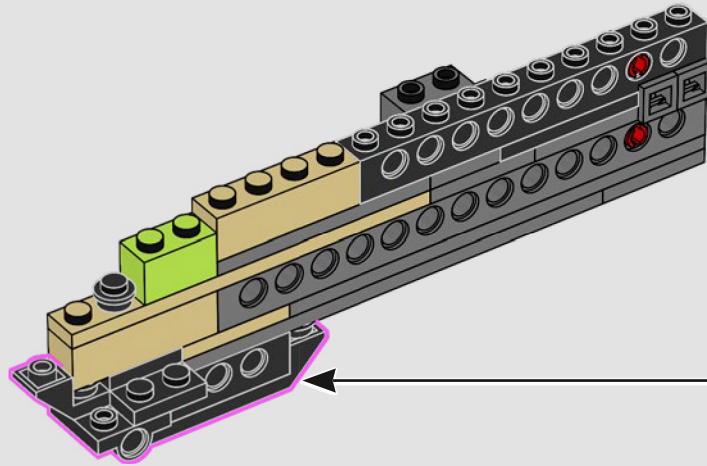
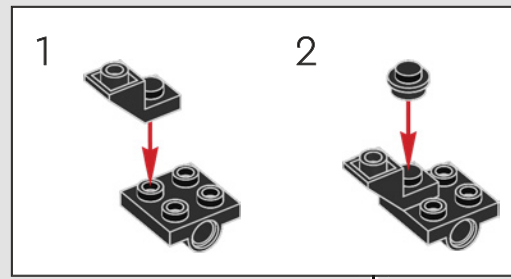
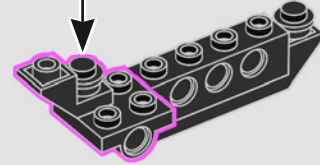
1



2

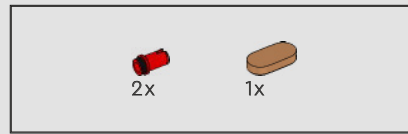
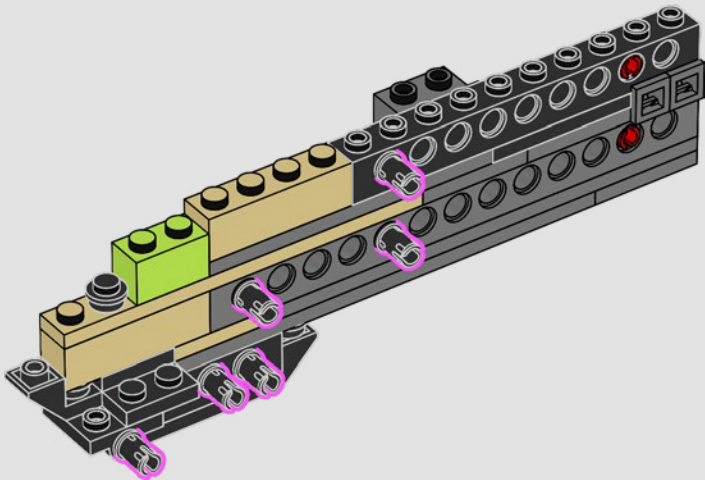


3

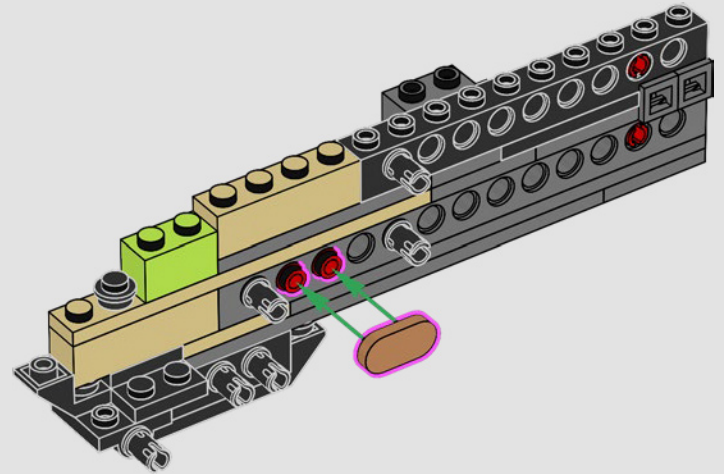


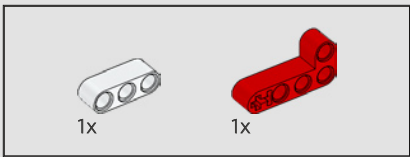


50

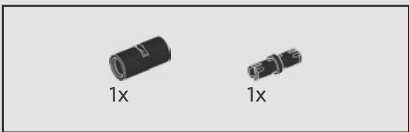
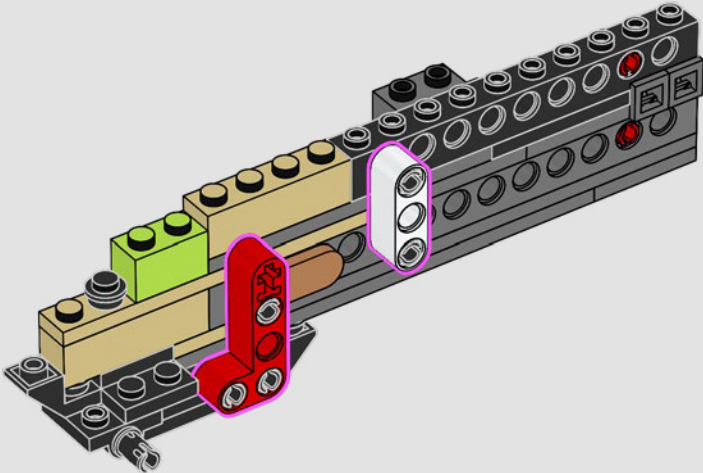


51

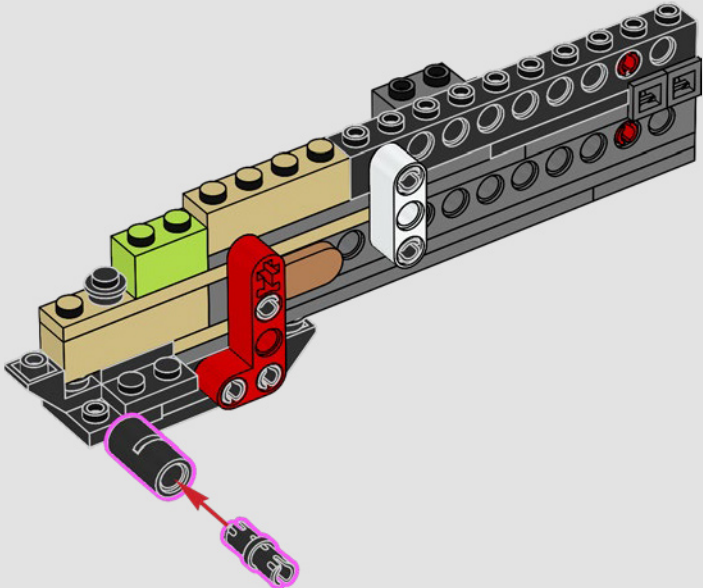


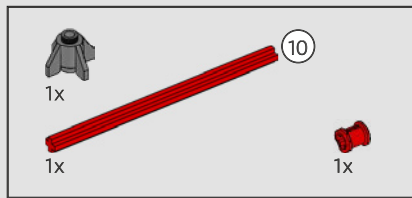


52

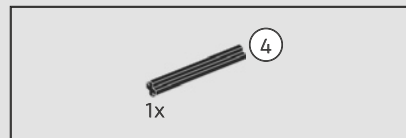
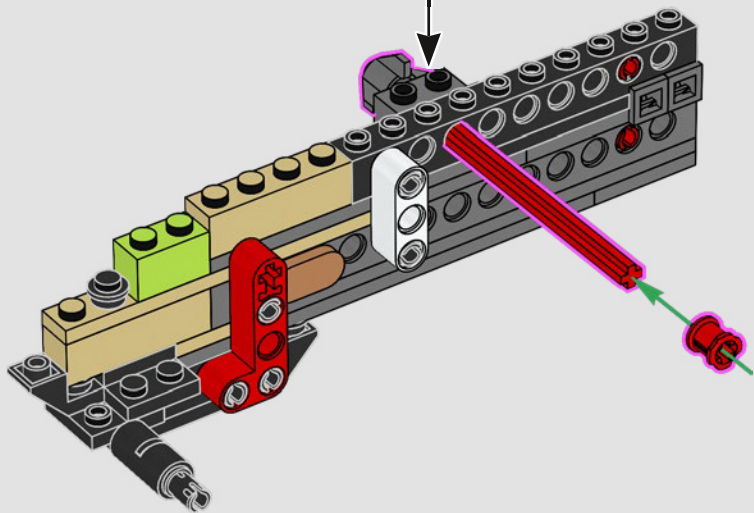
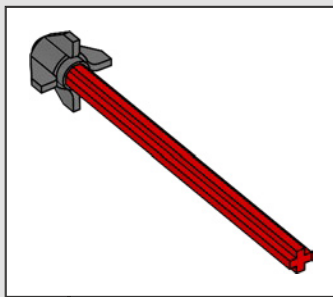


53

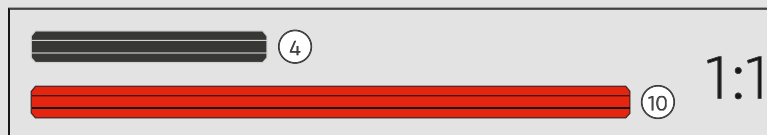
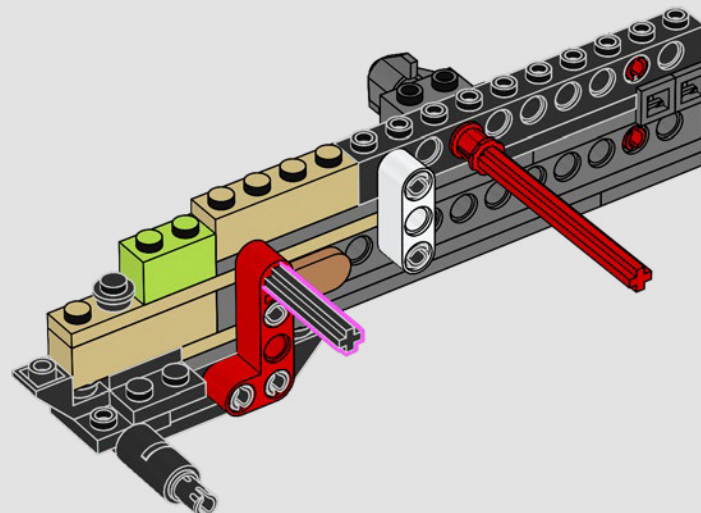


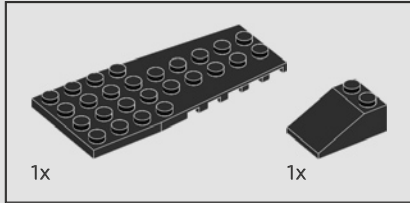
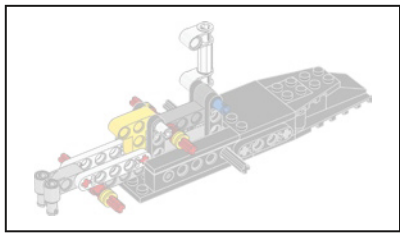


54

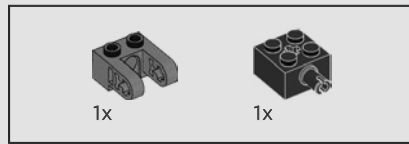
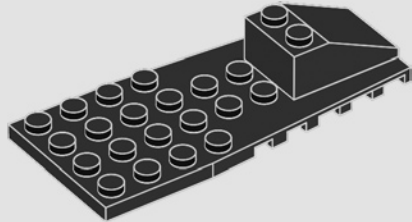


55

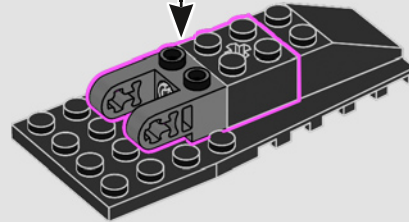
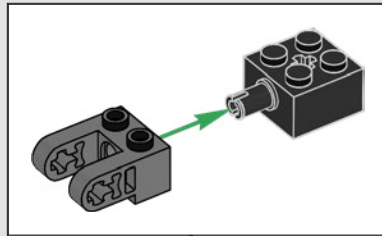




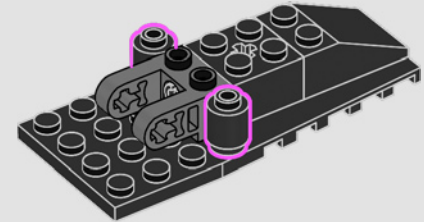
56

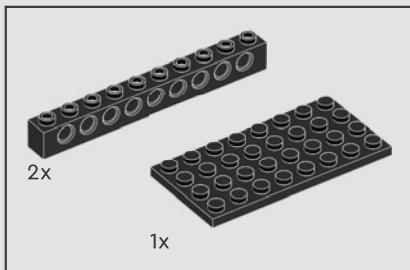


57

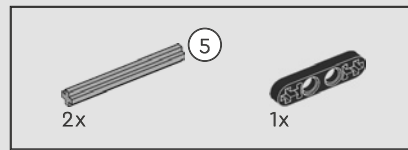
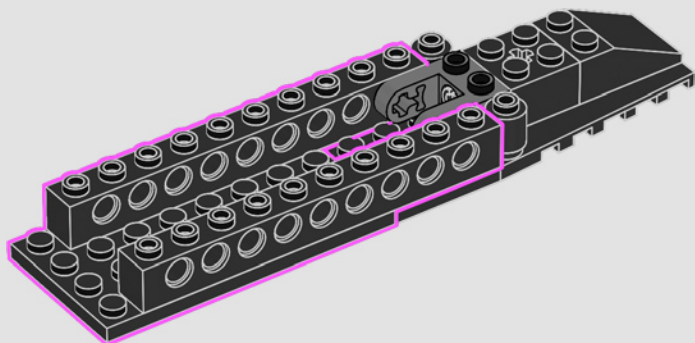


58

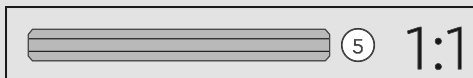
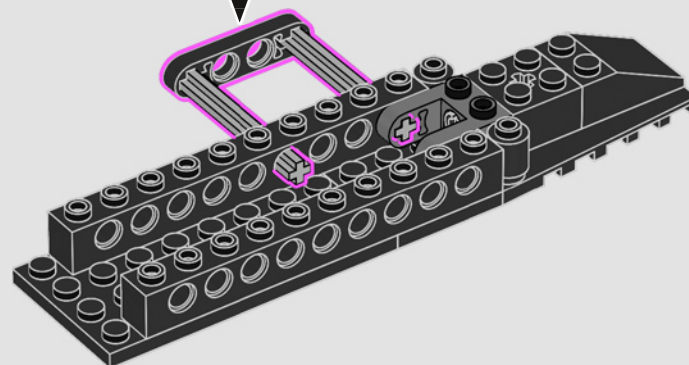
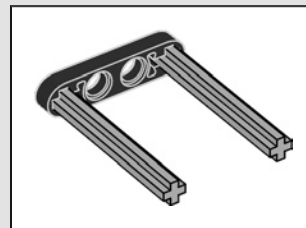


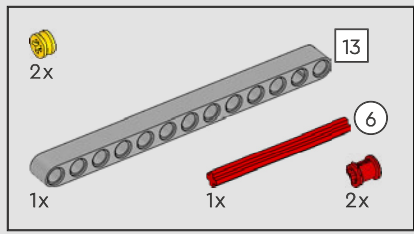


59

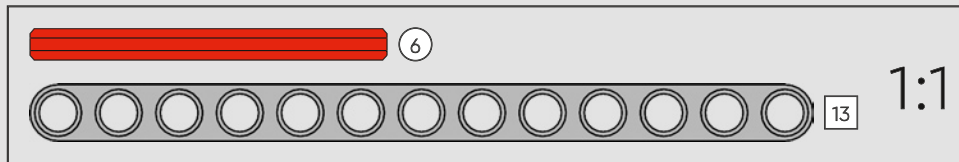
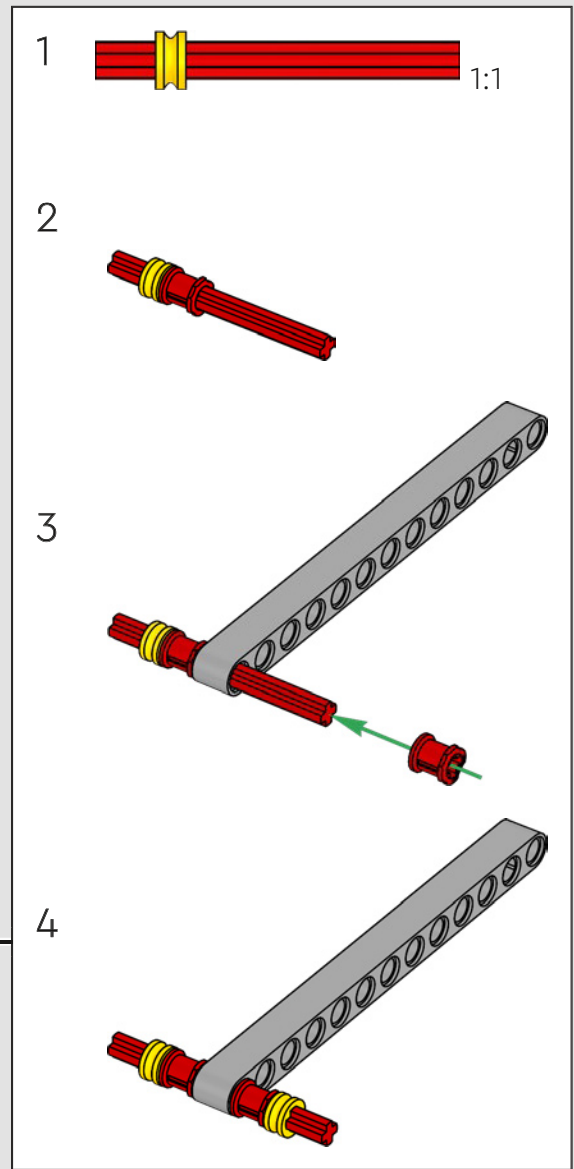
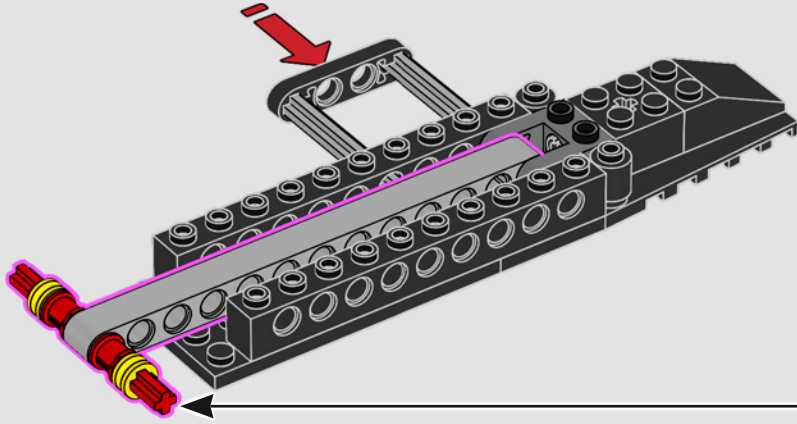


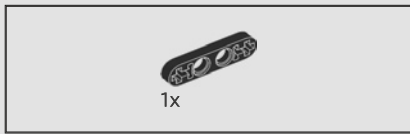
60



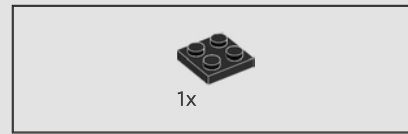
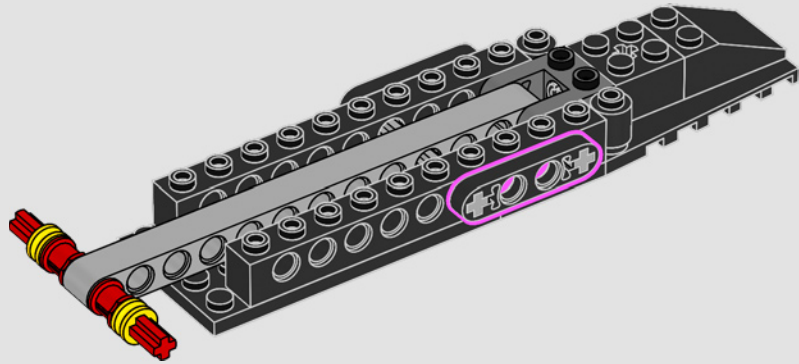


61

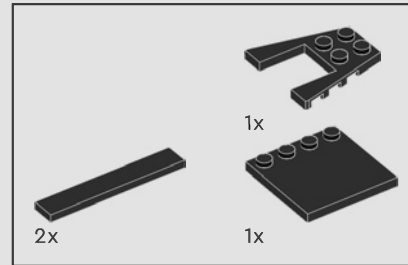
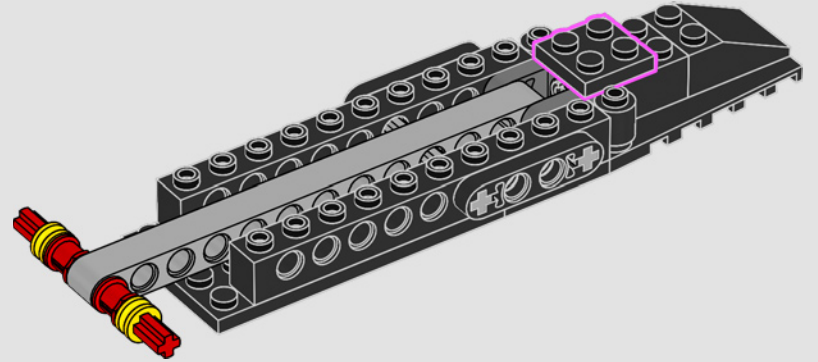




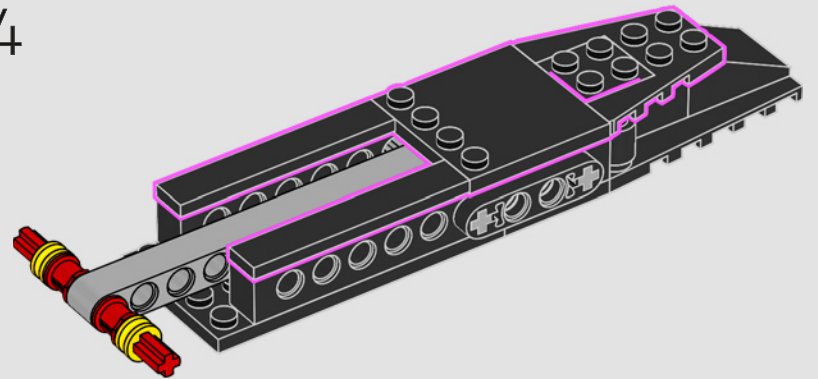
62

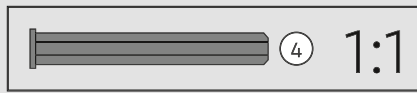
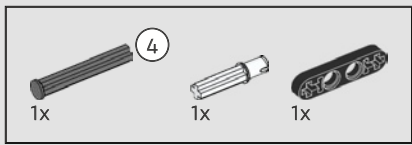


63

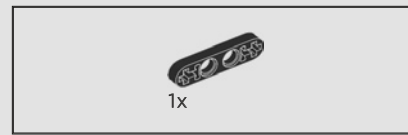
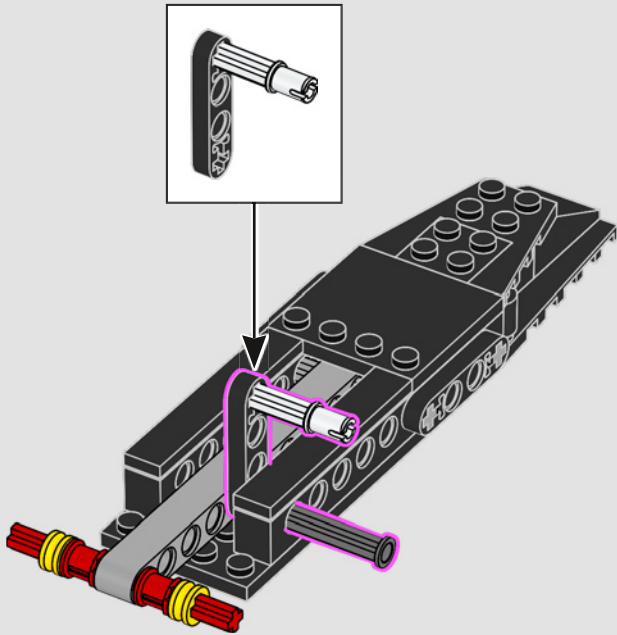


64

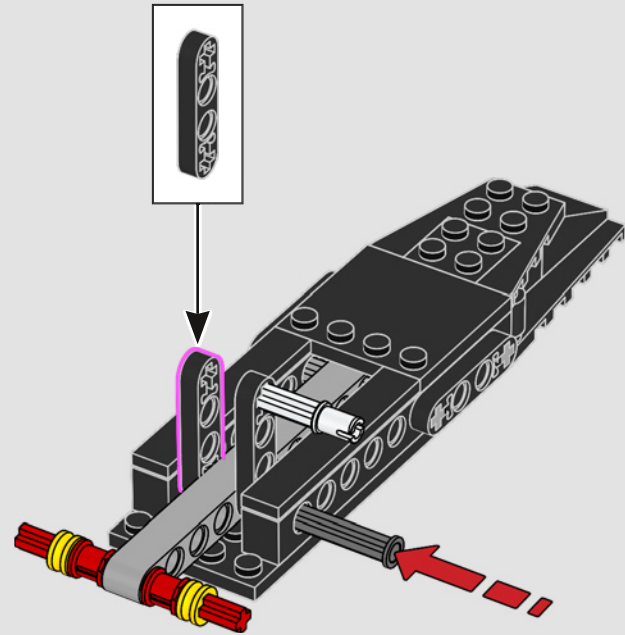


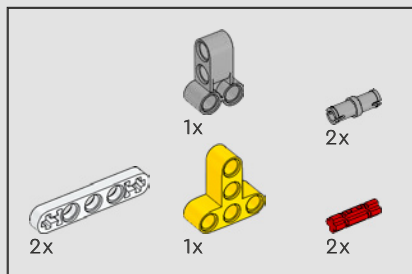


65



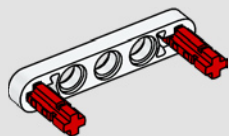
66



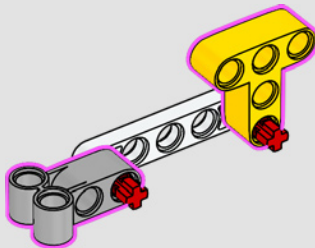


67

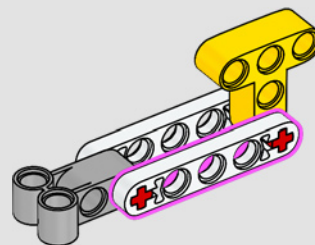
1



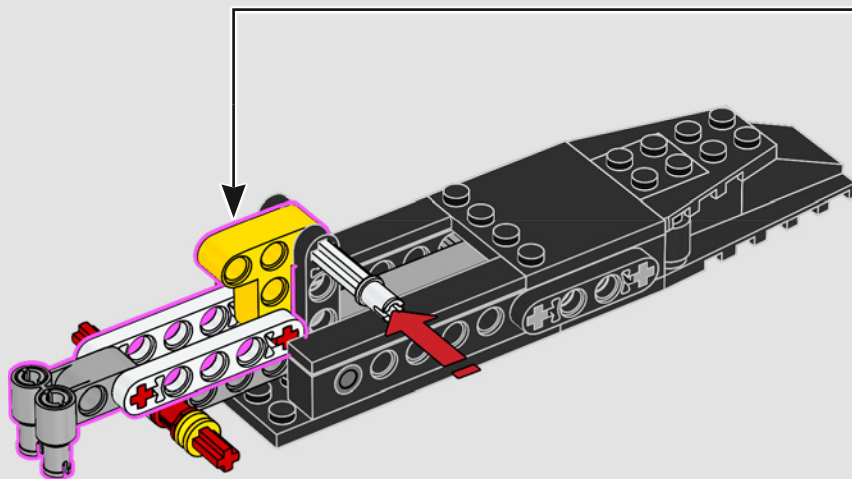
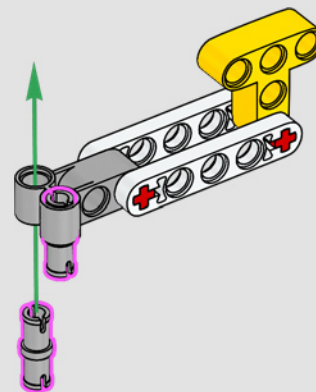
2

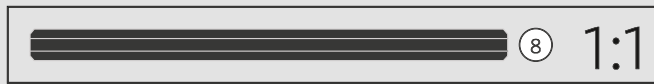
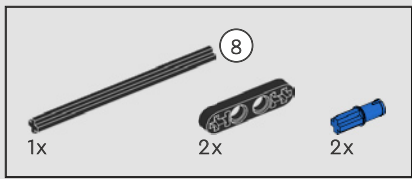


3

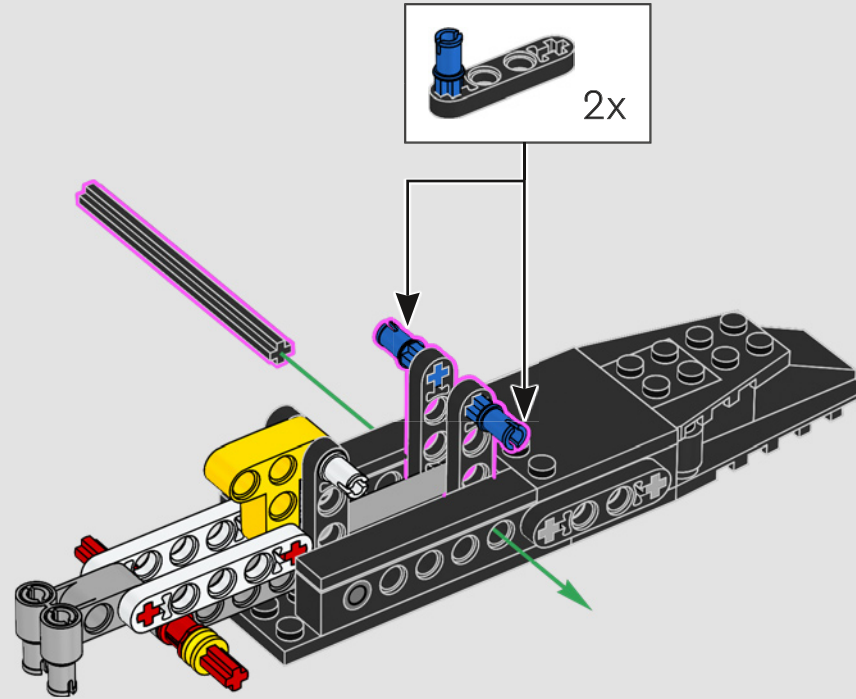


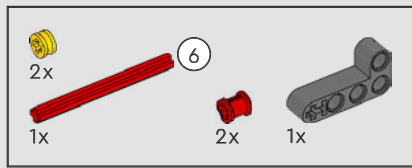
4



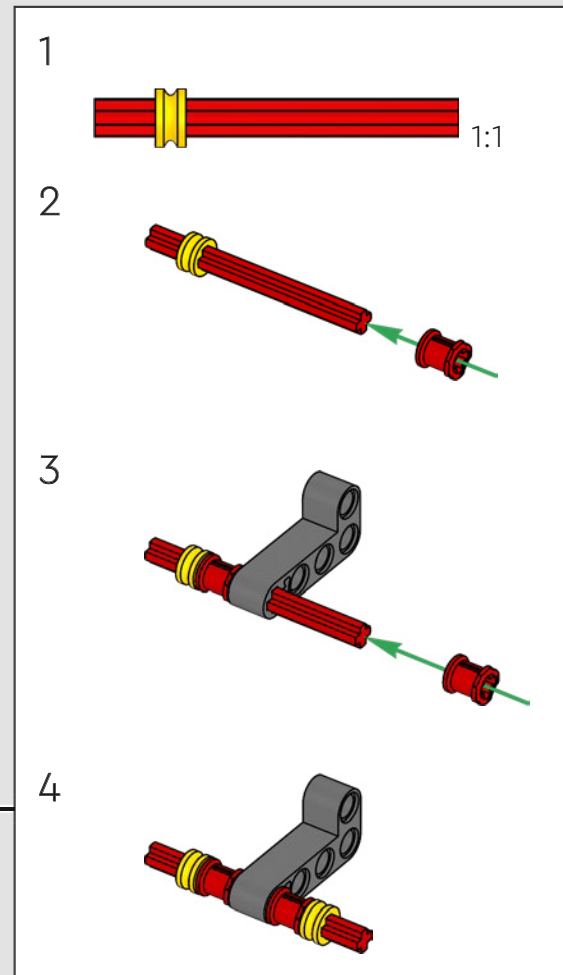
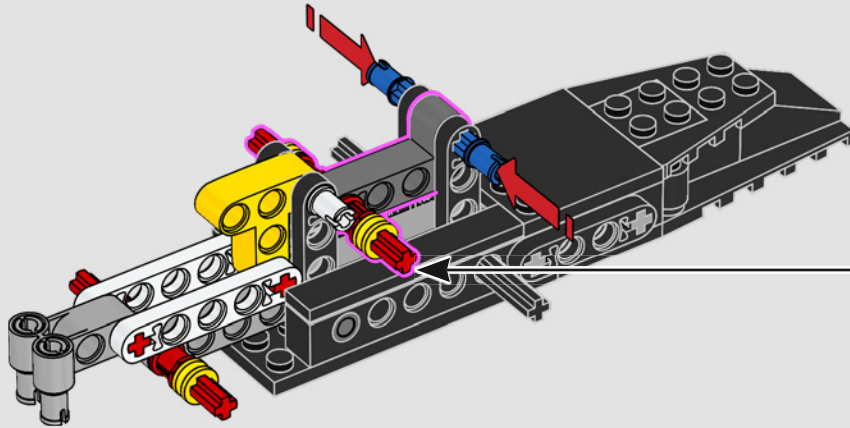


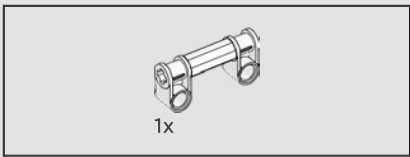
68



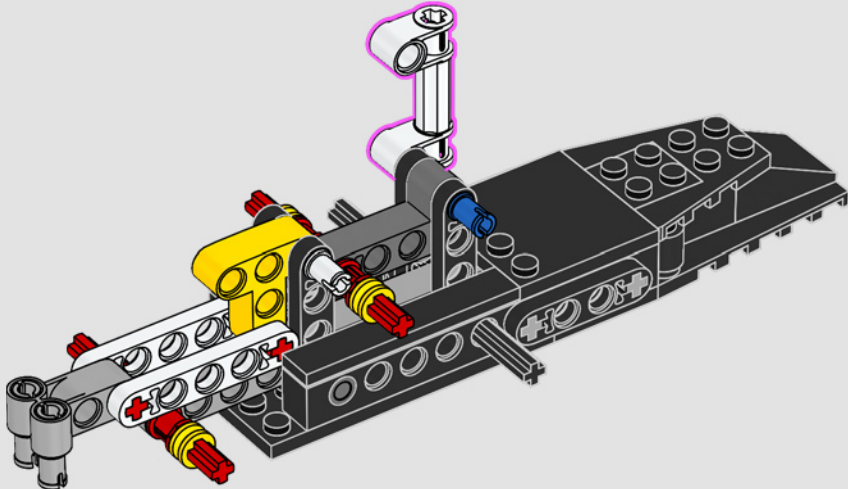


69

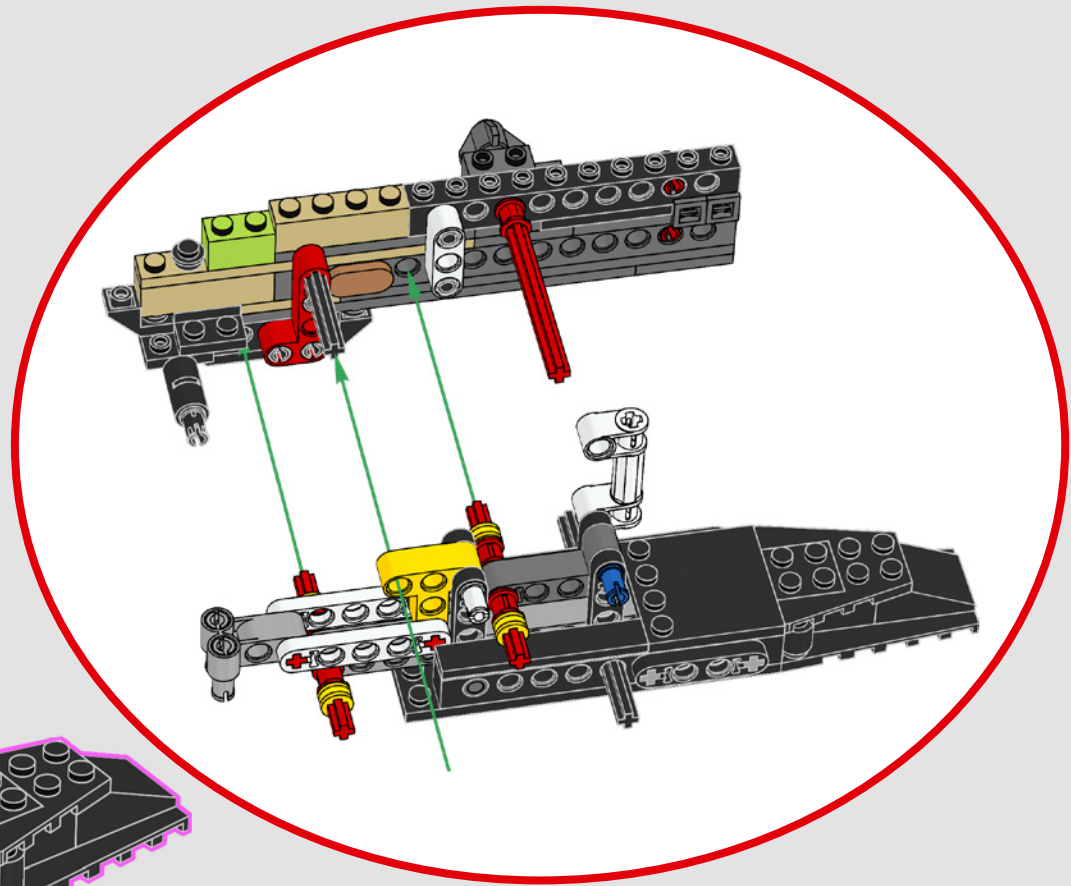
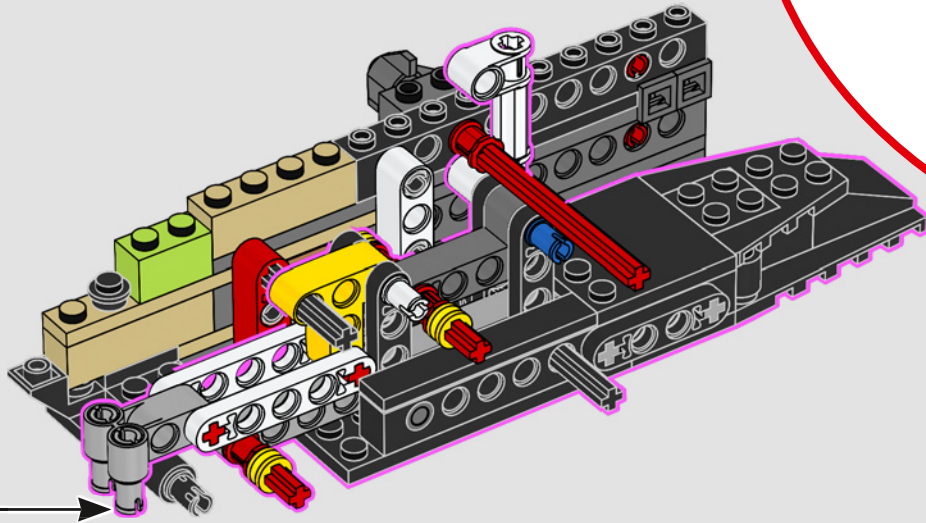


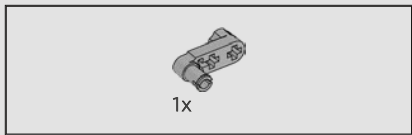


70

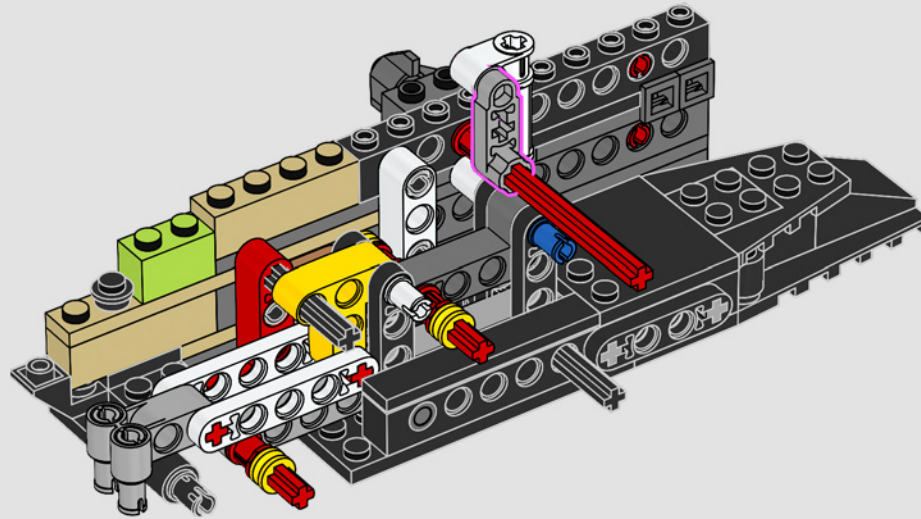


71

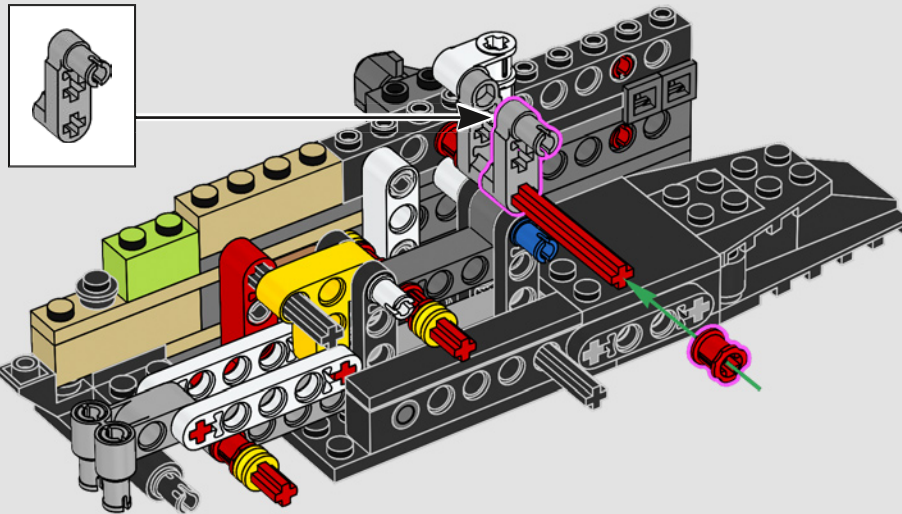


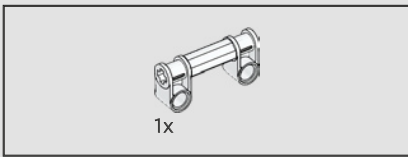


72

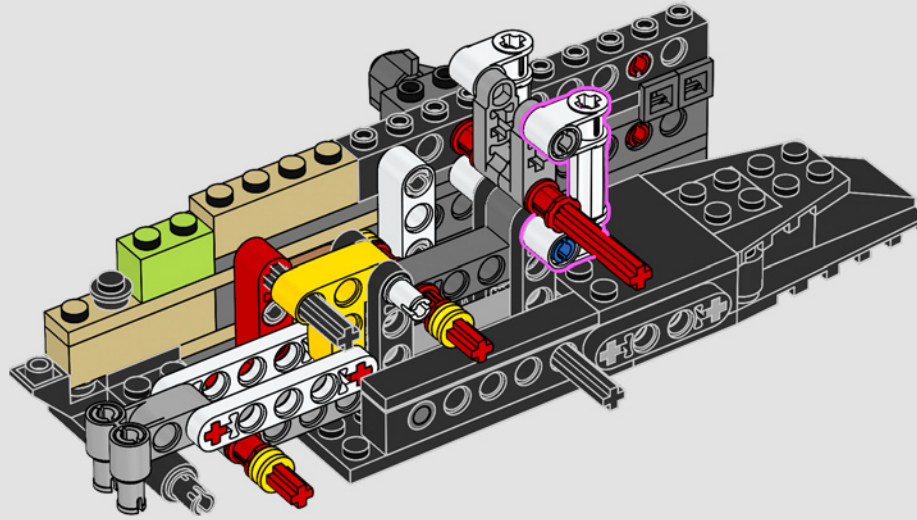


73

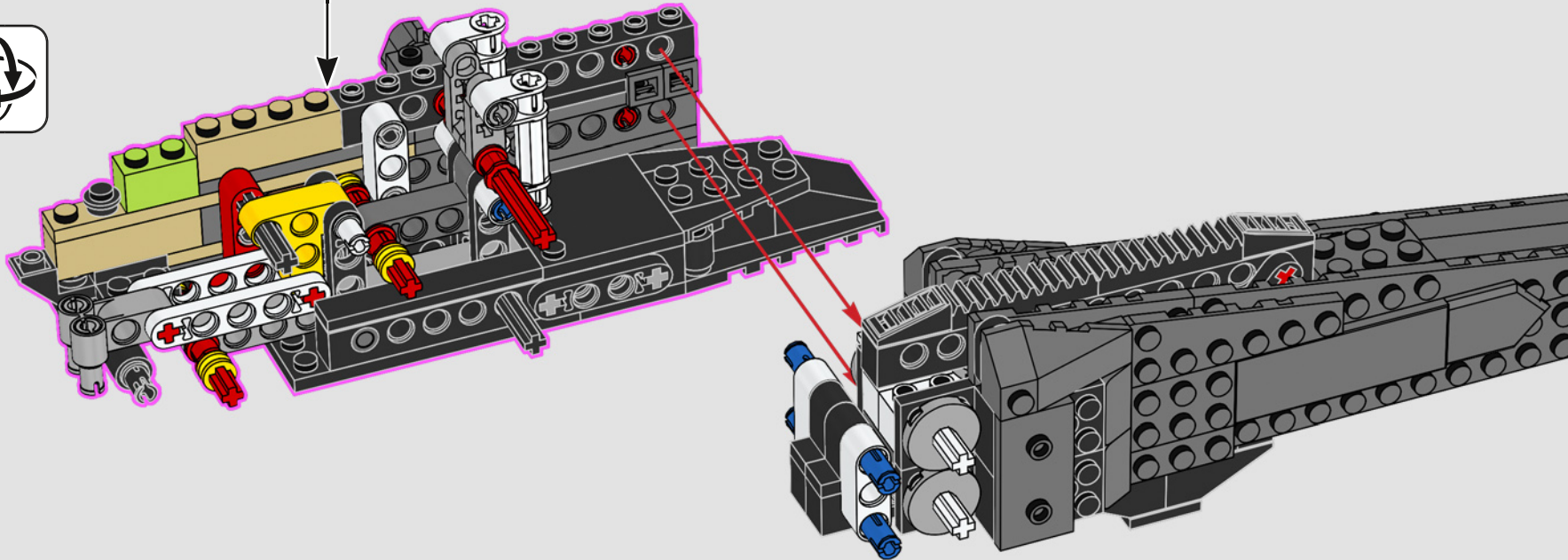


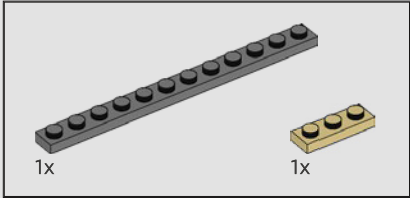
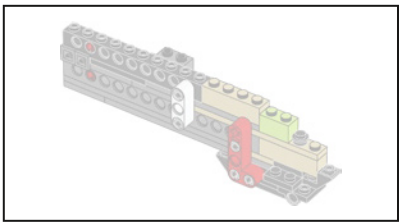


74

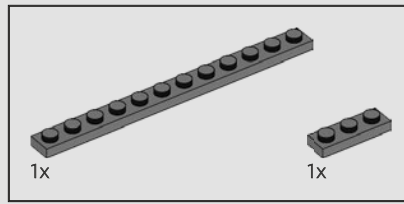
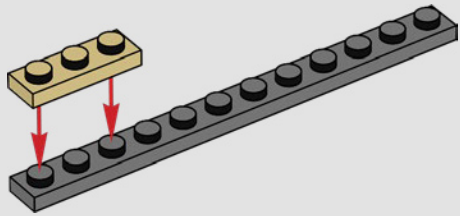


75

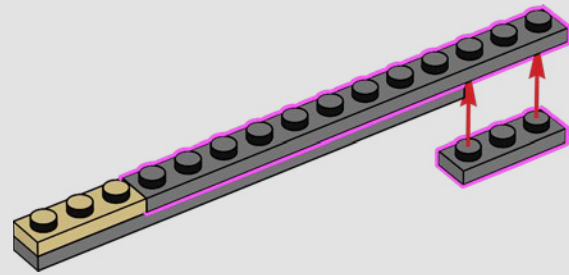


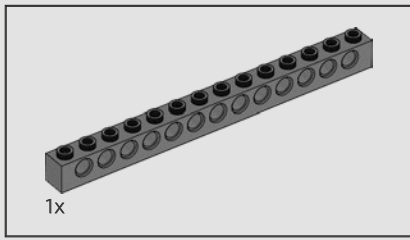


76

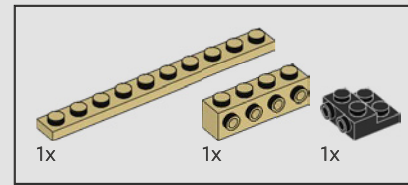
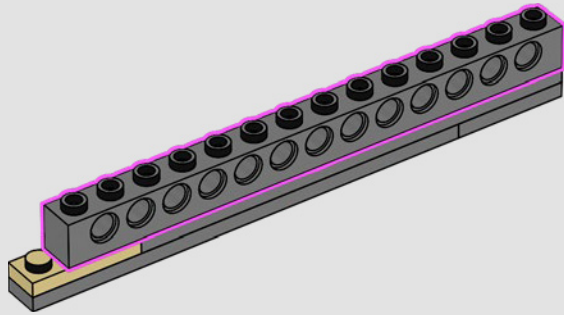


77

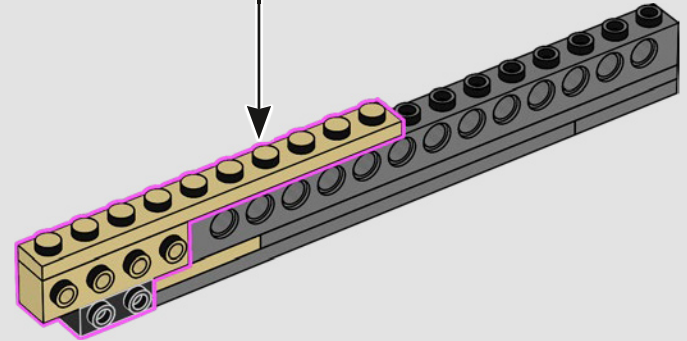
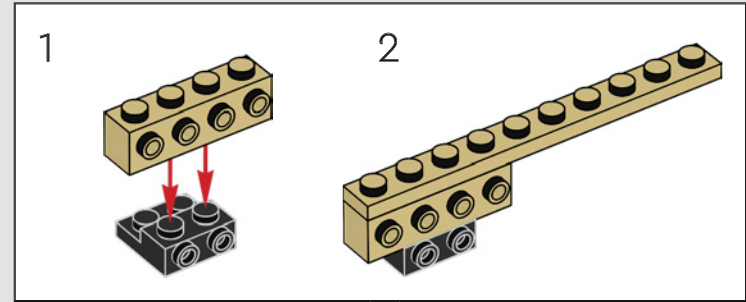


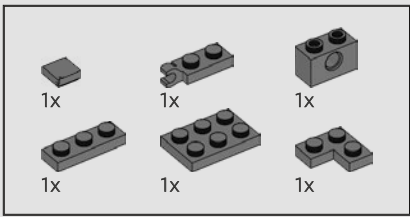


78

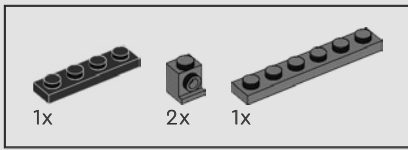
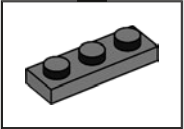
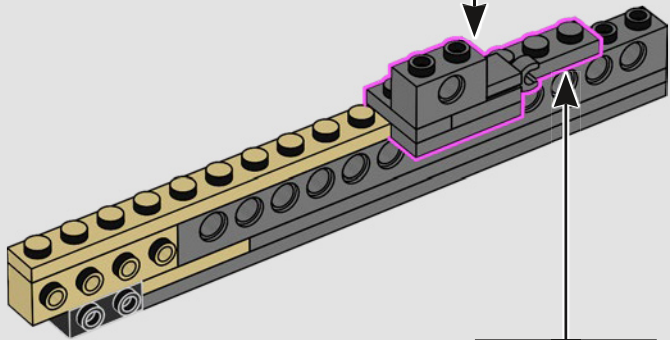
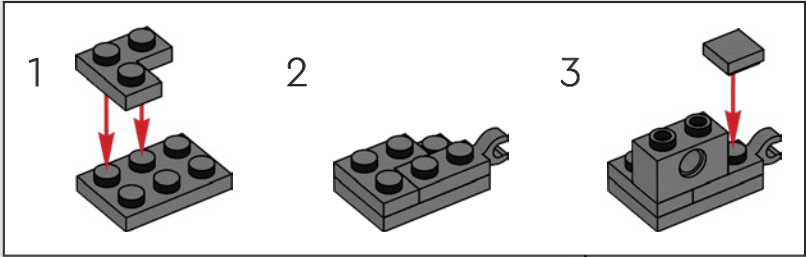


79

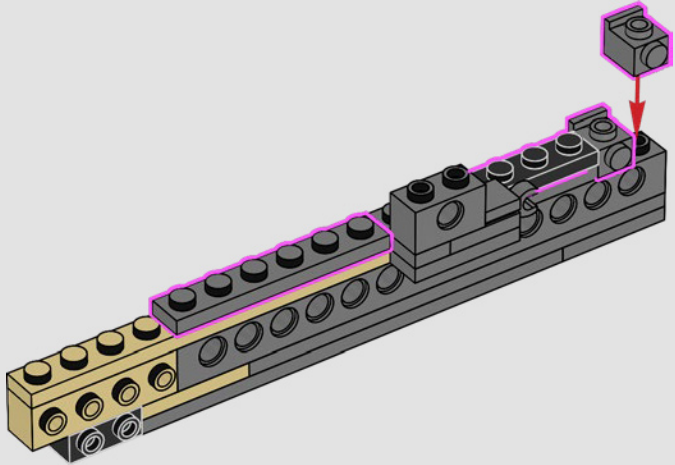


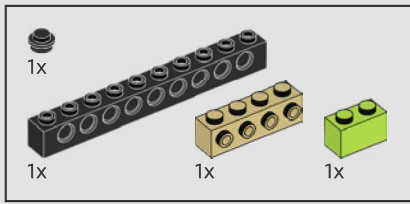


80

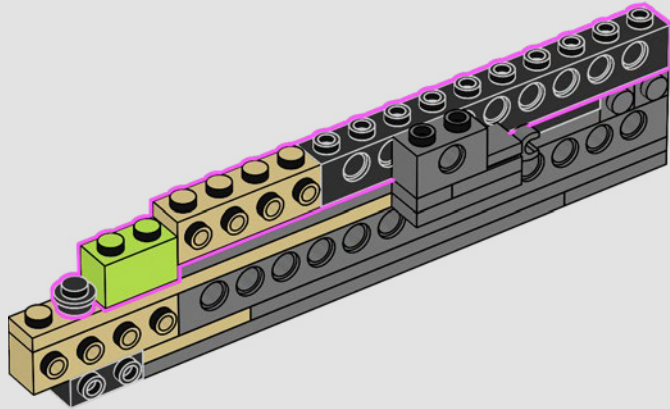


81

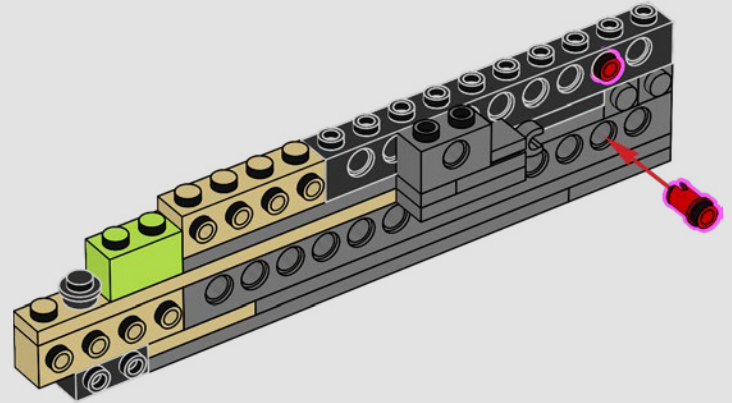


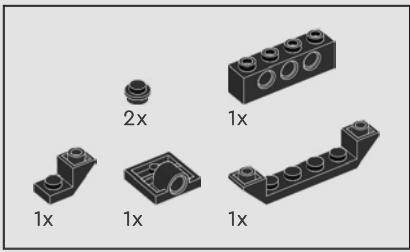


82



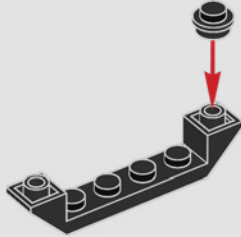
83



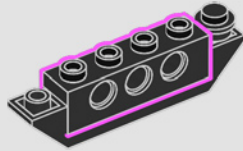


84

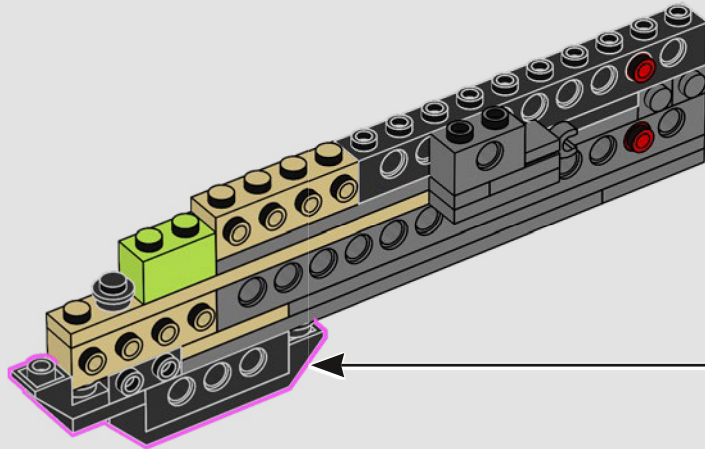
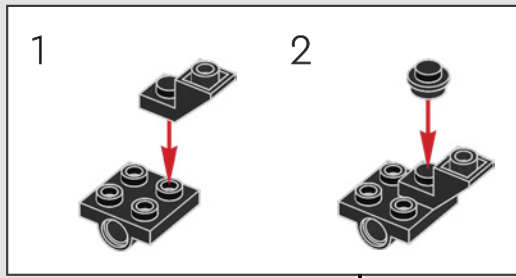
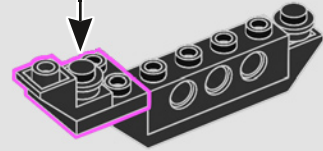
1



2

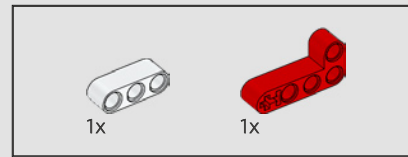
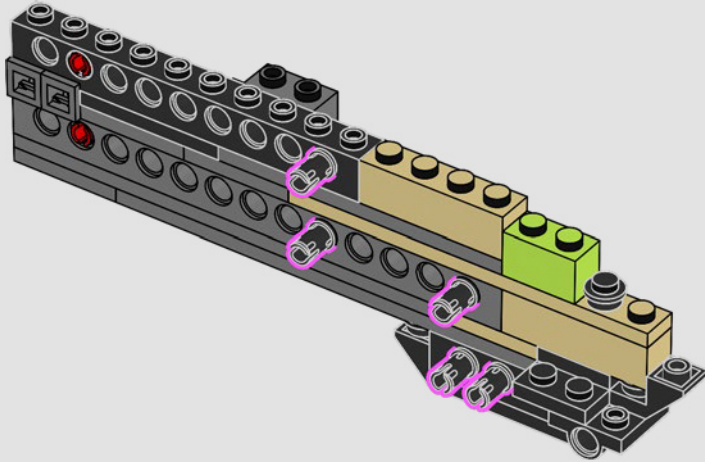


3

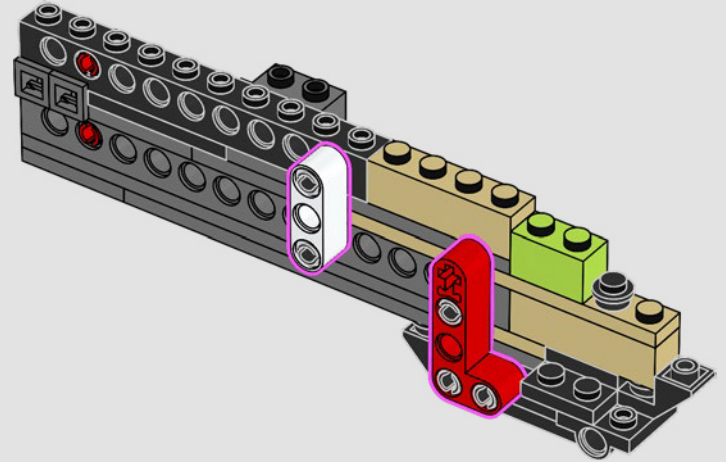




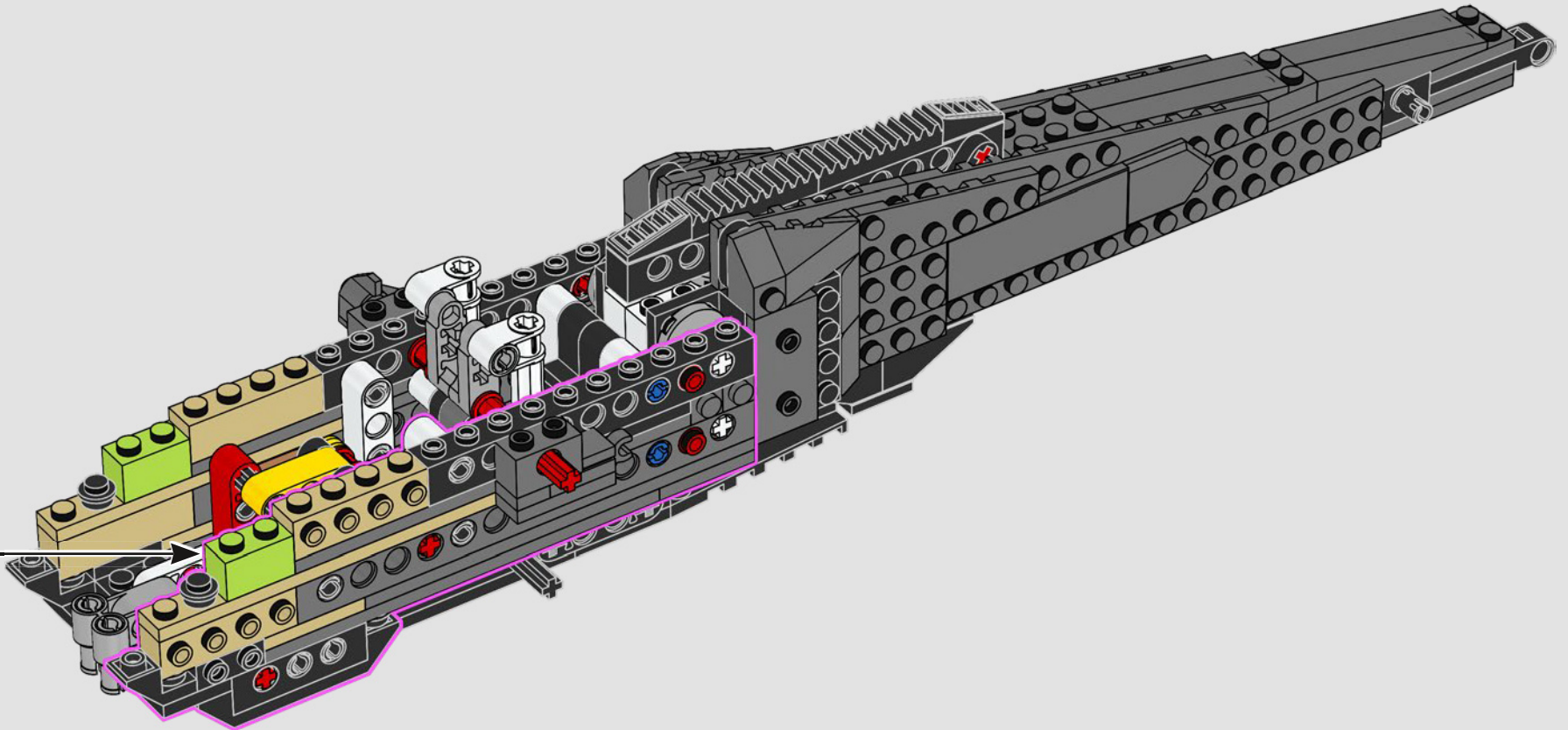
85



86

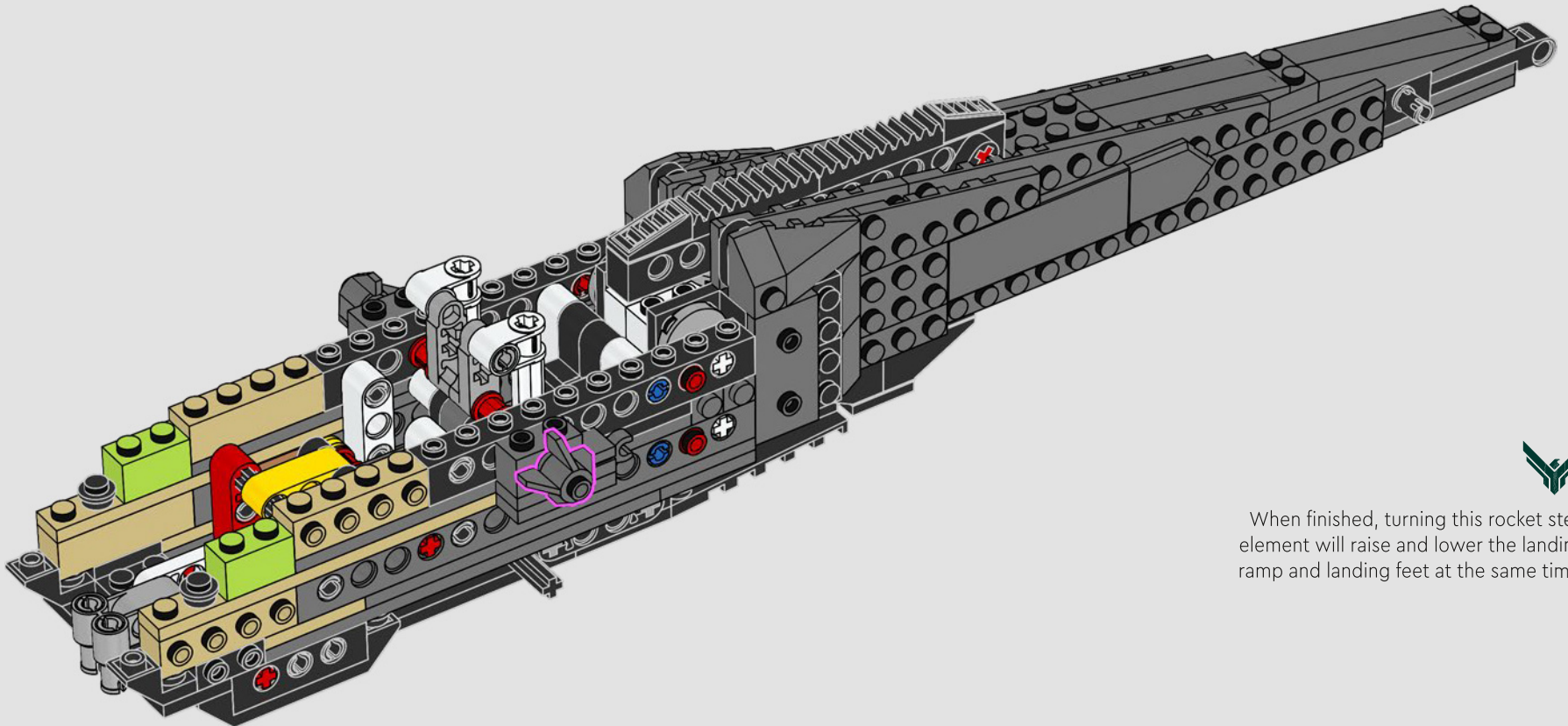


87

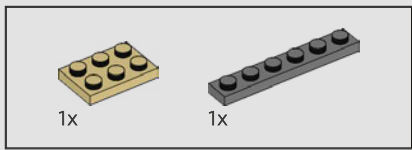




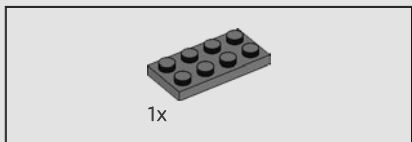
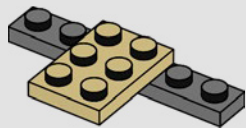
88



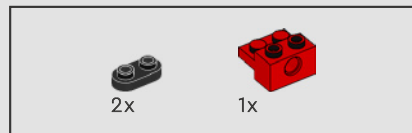
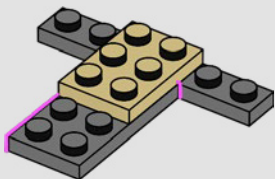
When finished, turning this rocket step element will raise and lower the landing ramp and landing feet at the same time.



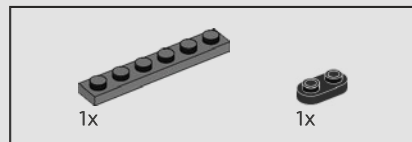
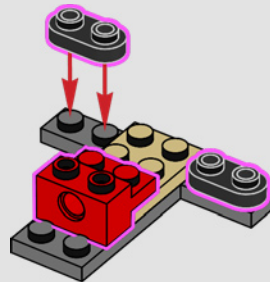
89



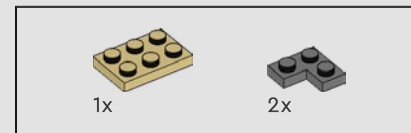
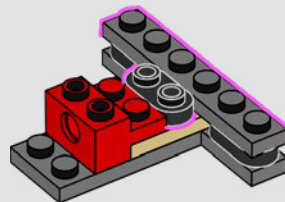
90



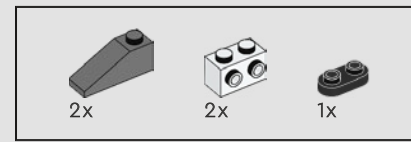
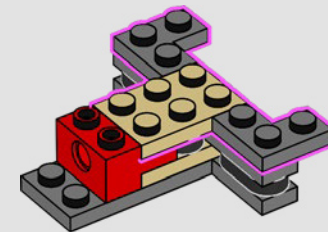
91



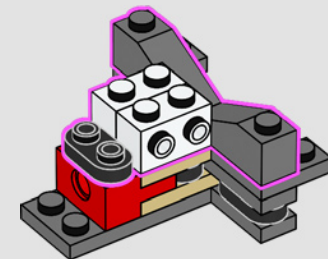
92

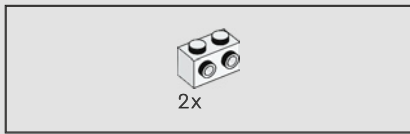


93

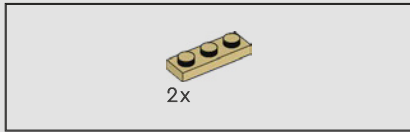
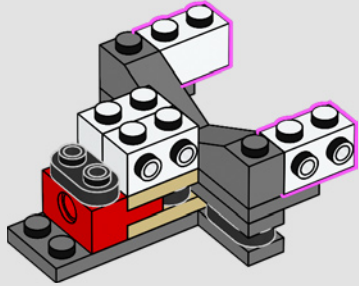


94

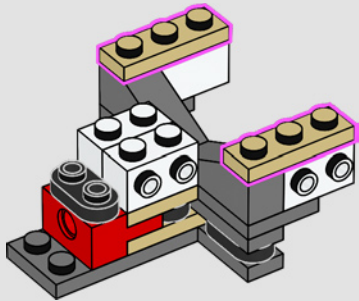




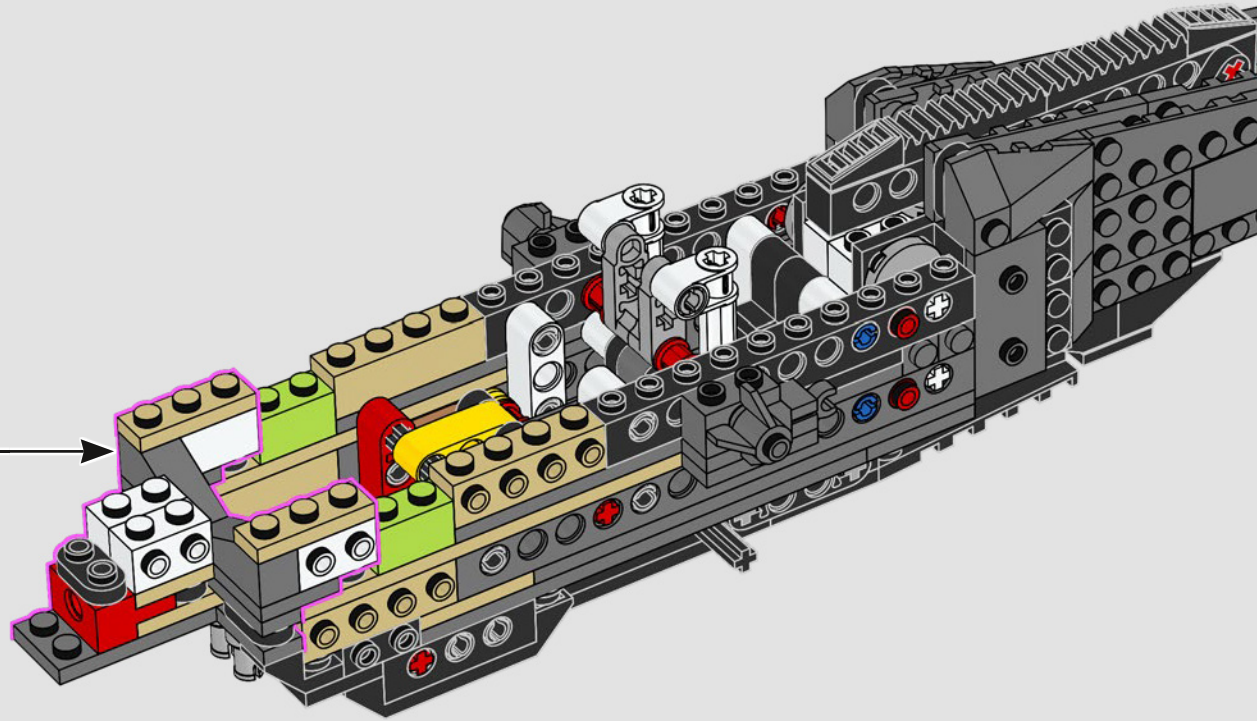
95

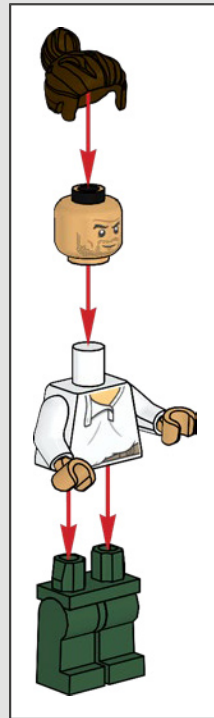
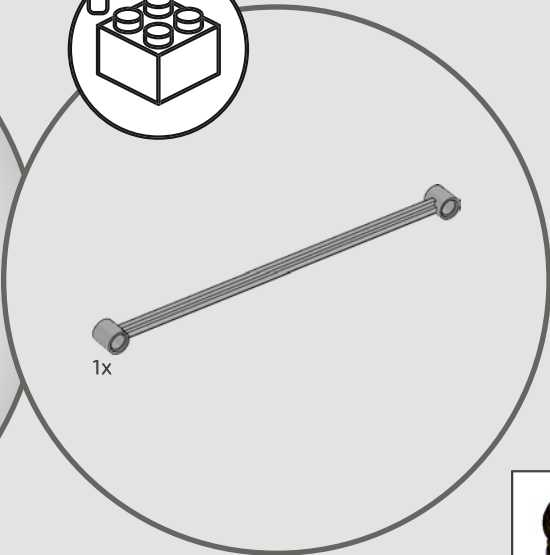
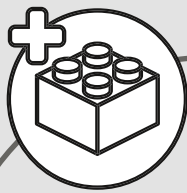


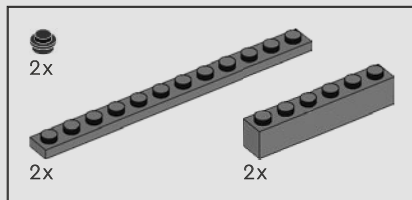
96



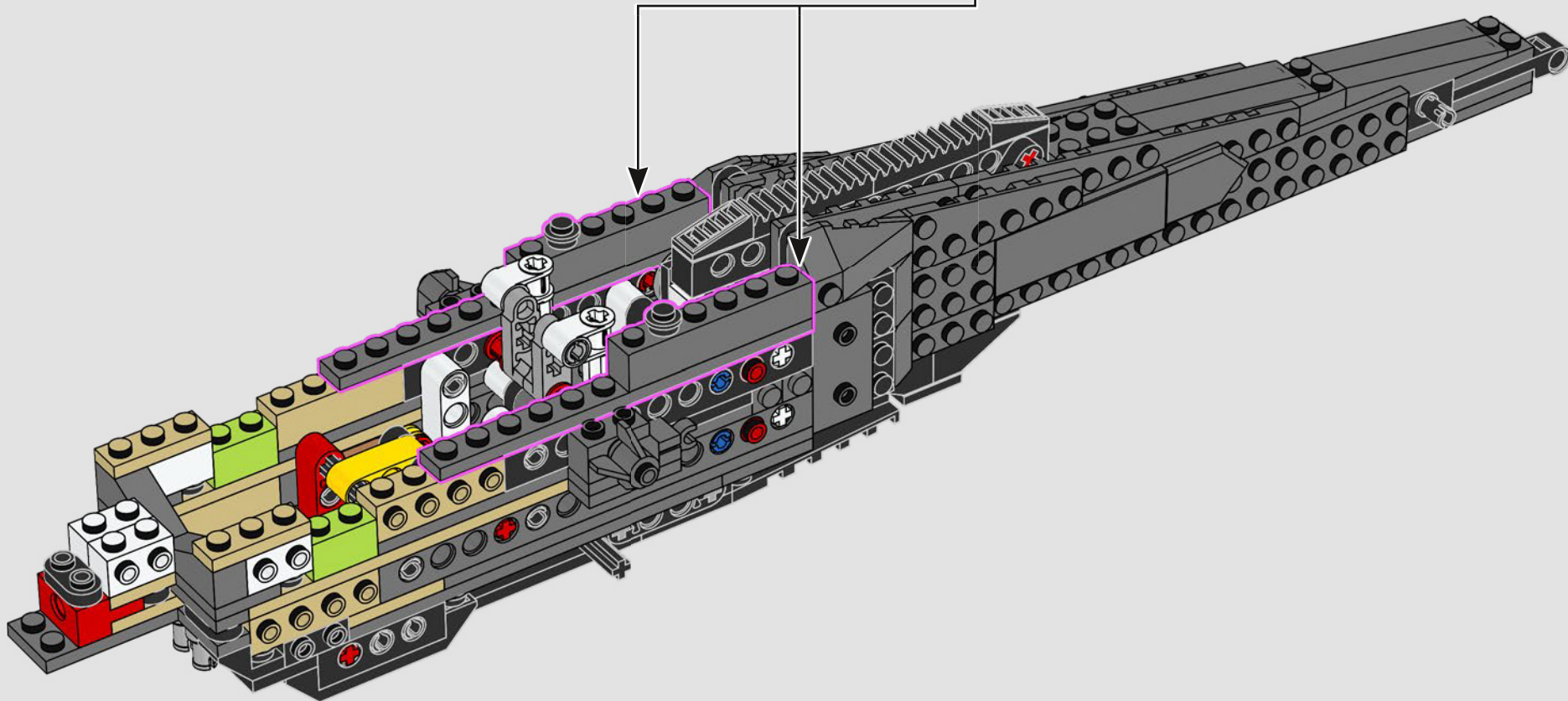
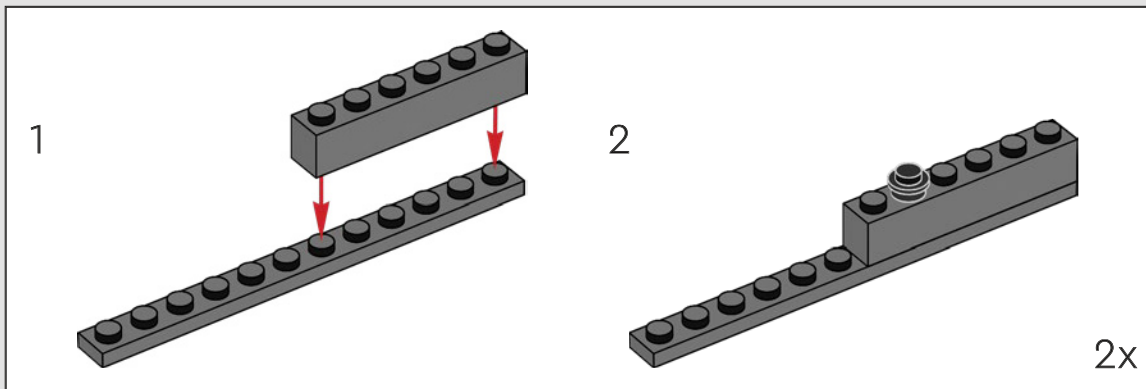
97

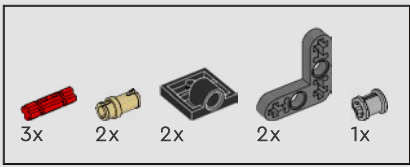






98



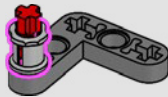


99

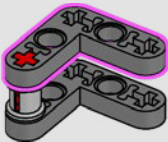
1



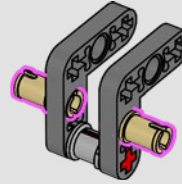
2



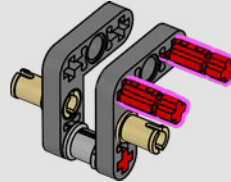
3



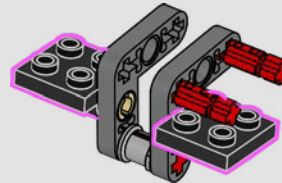
4

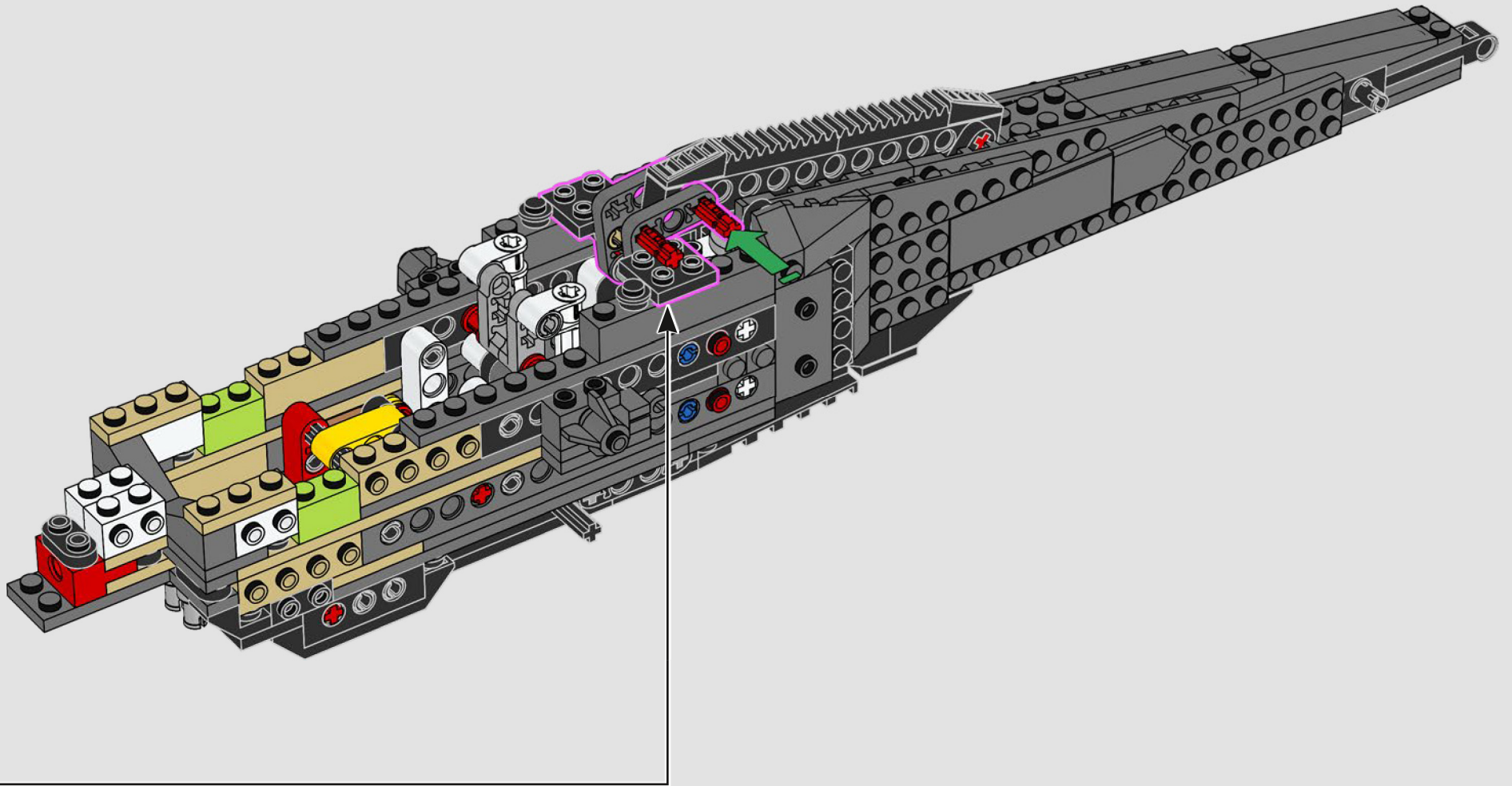


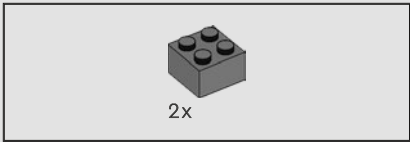
5



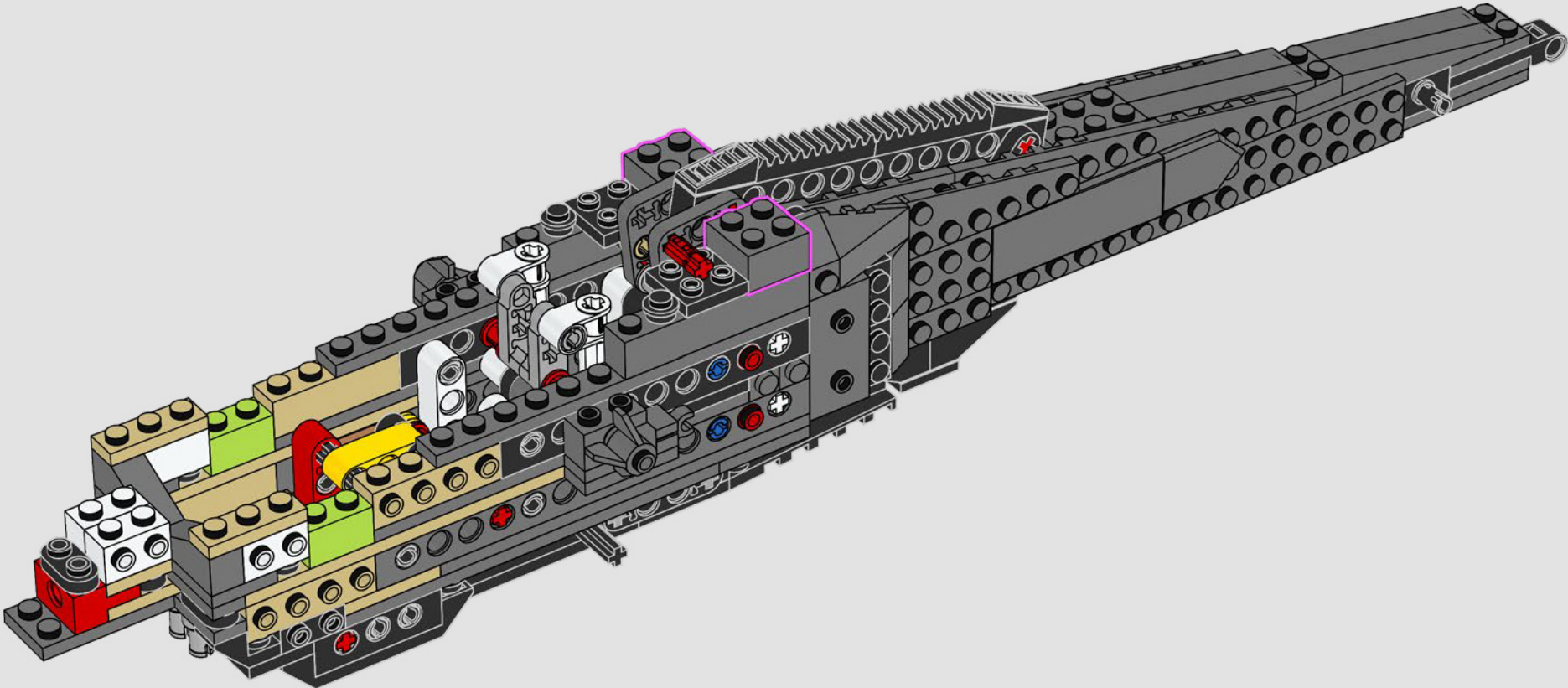
6

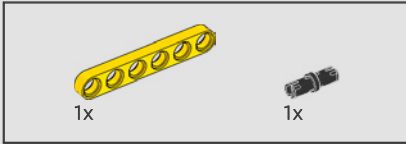
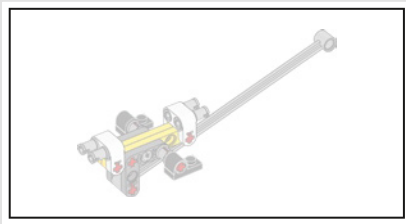




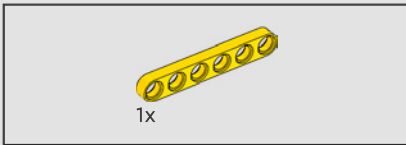
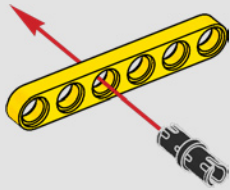


100

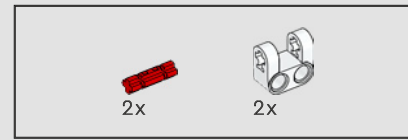
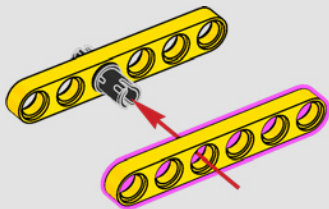




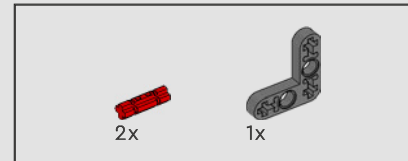
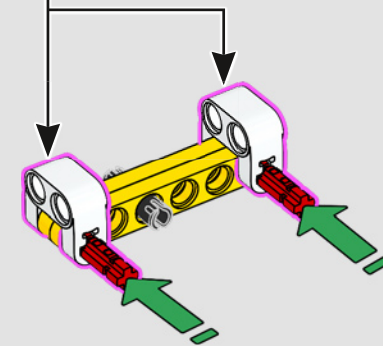
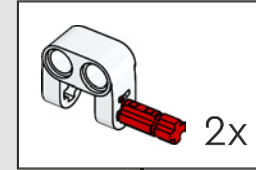
101



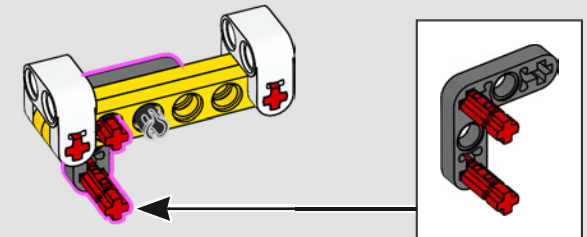
102

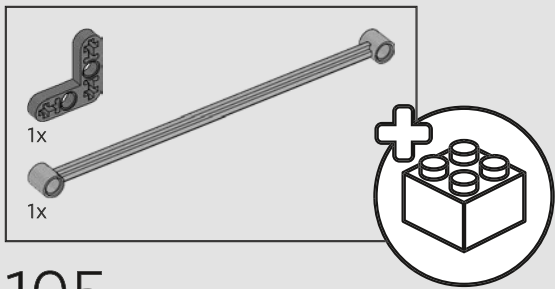


103

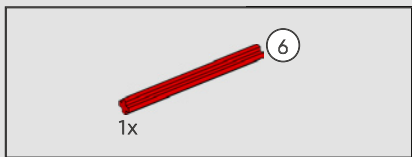
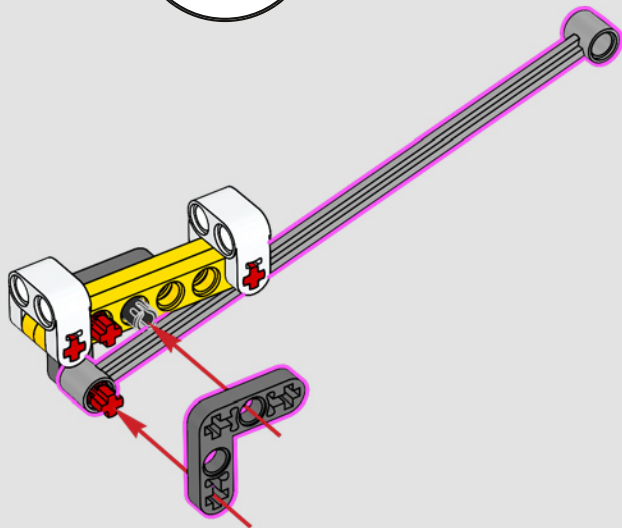


104

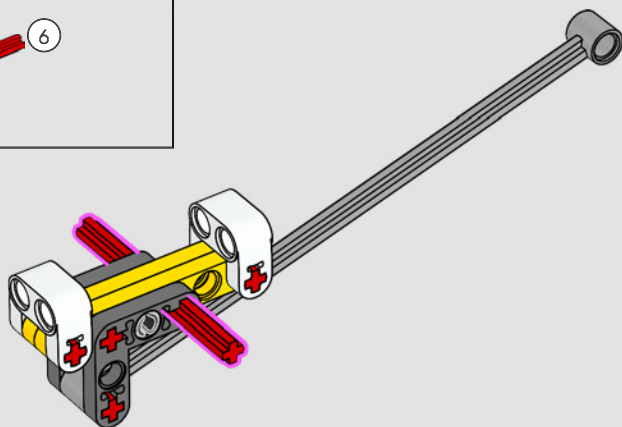




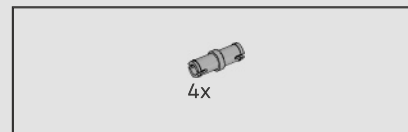
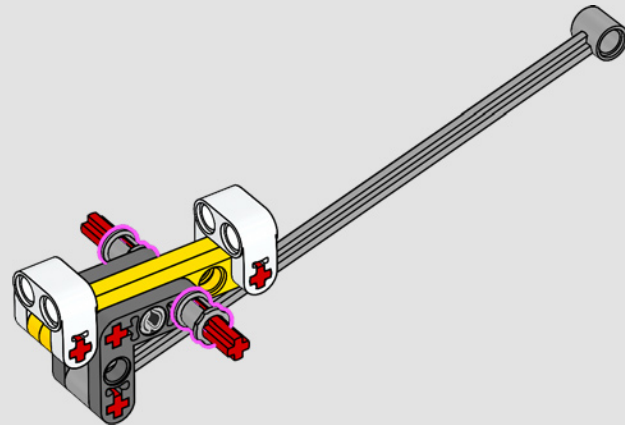
105



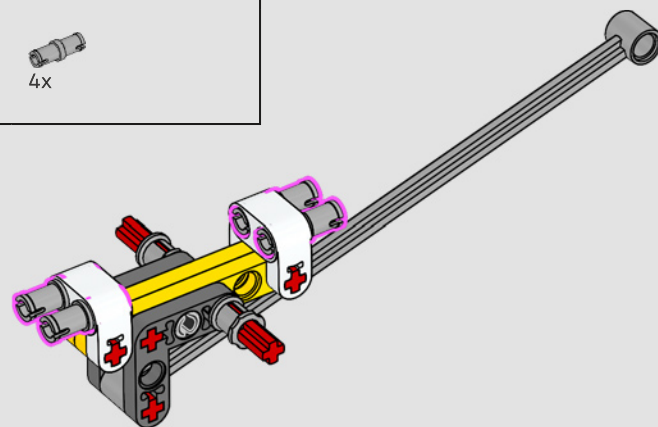
106



107

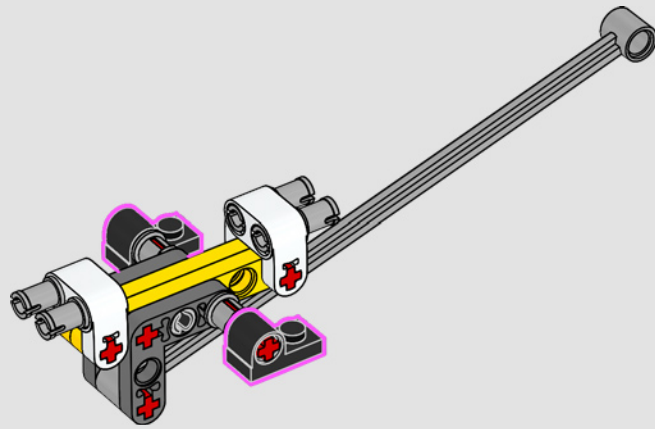


108

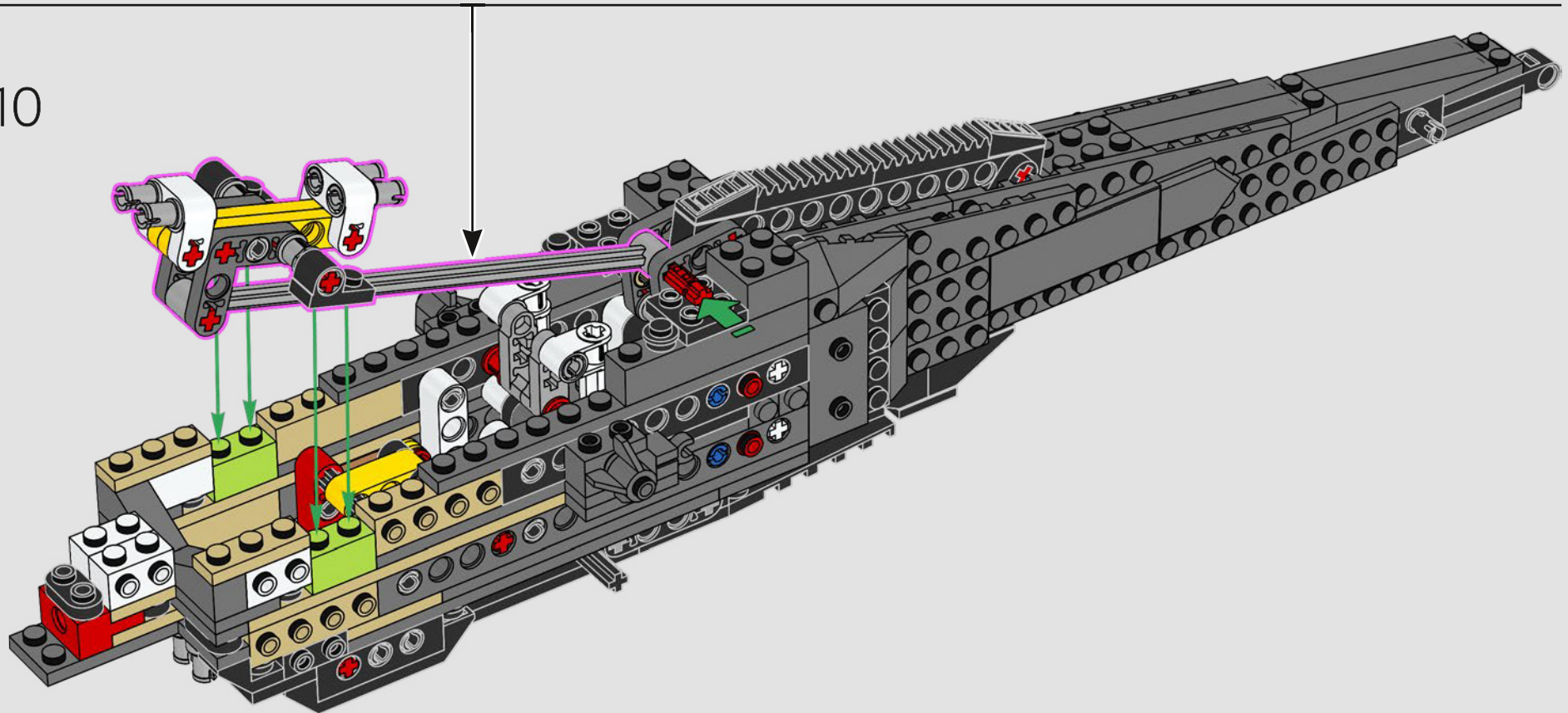


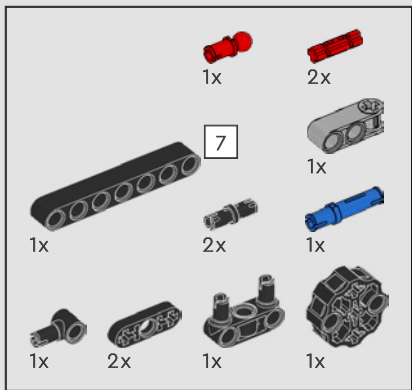


109



110



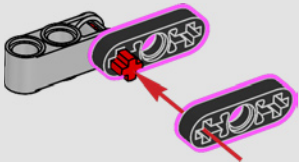


111

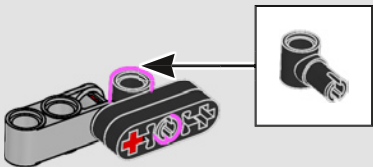
1



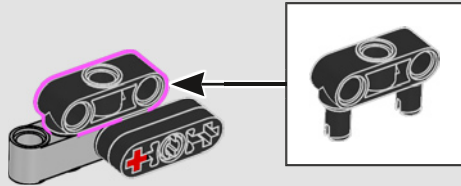
2



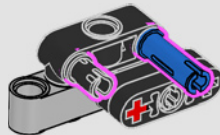
3



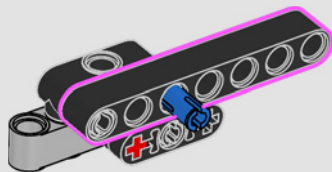
4



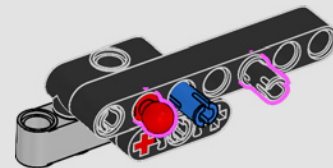
5



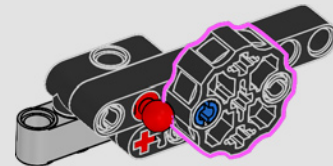
6



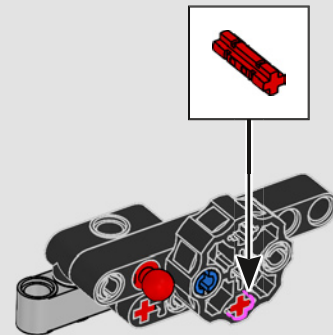
7



8

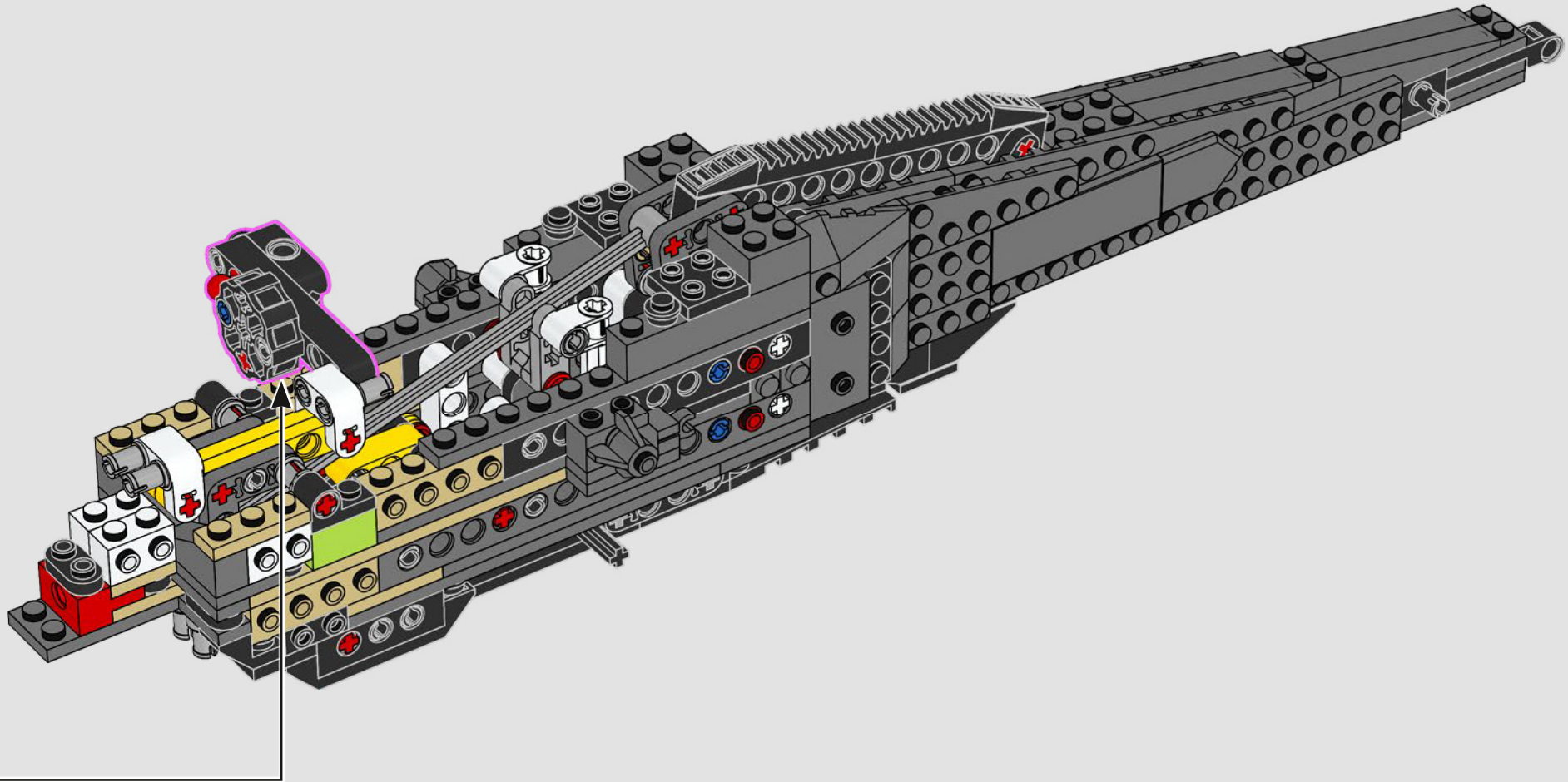


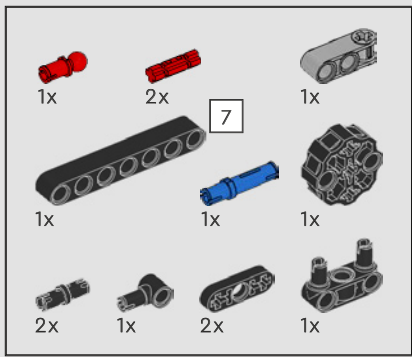
9





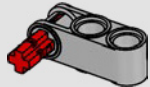
These four 'wing roots' form the foundation for the flapping mechanism of the ornithopter.



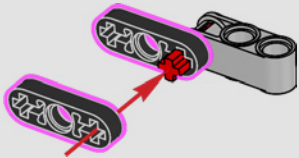


112

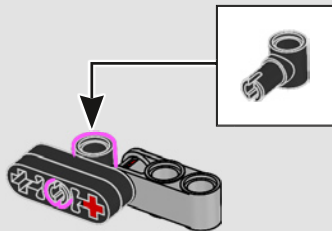
1



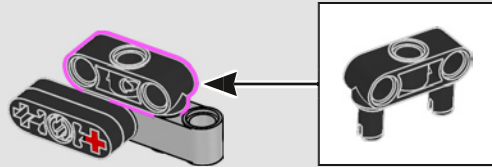
2



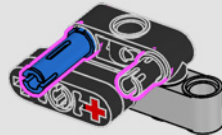
3



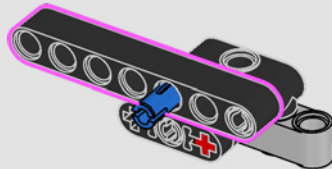
4



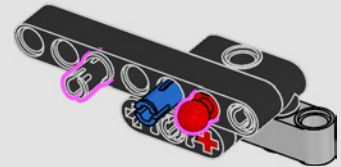
5



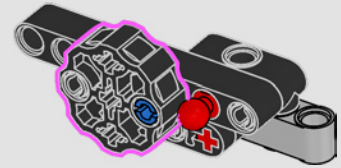
6



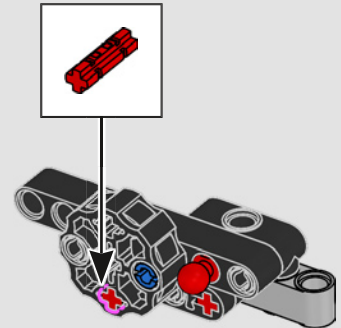
7

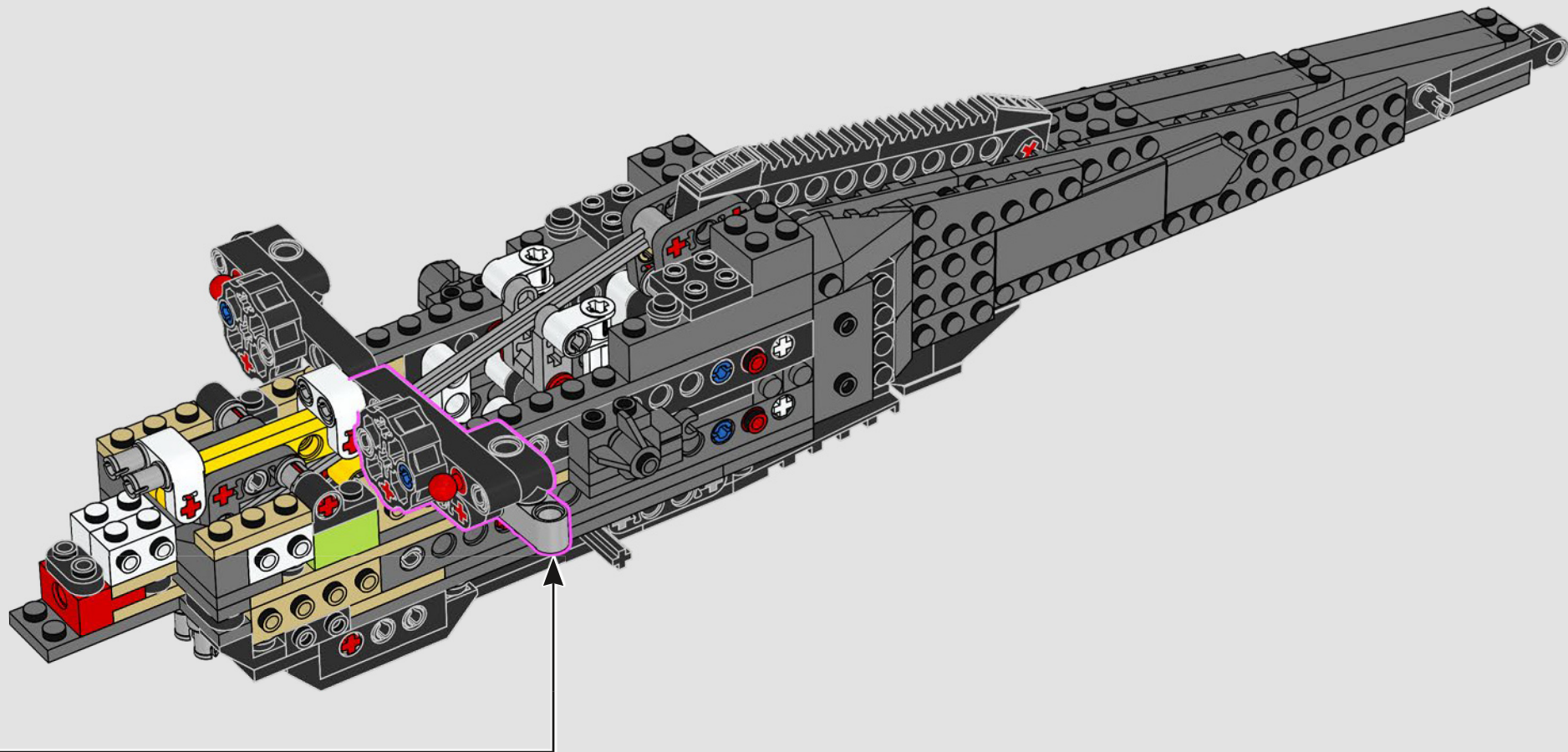


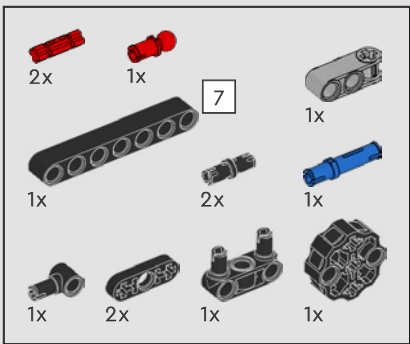
8



9

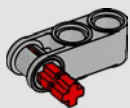




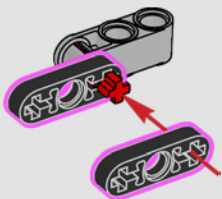


113

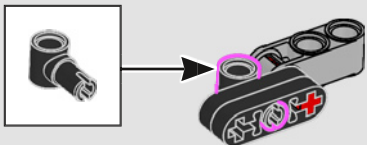
1



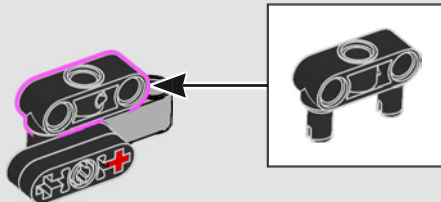
2



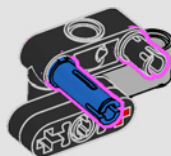
3



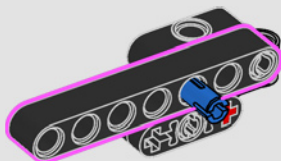
4



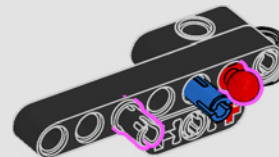
5



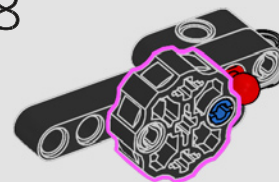
6



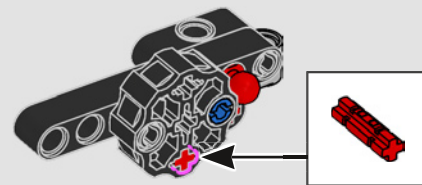
7

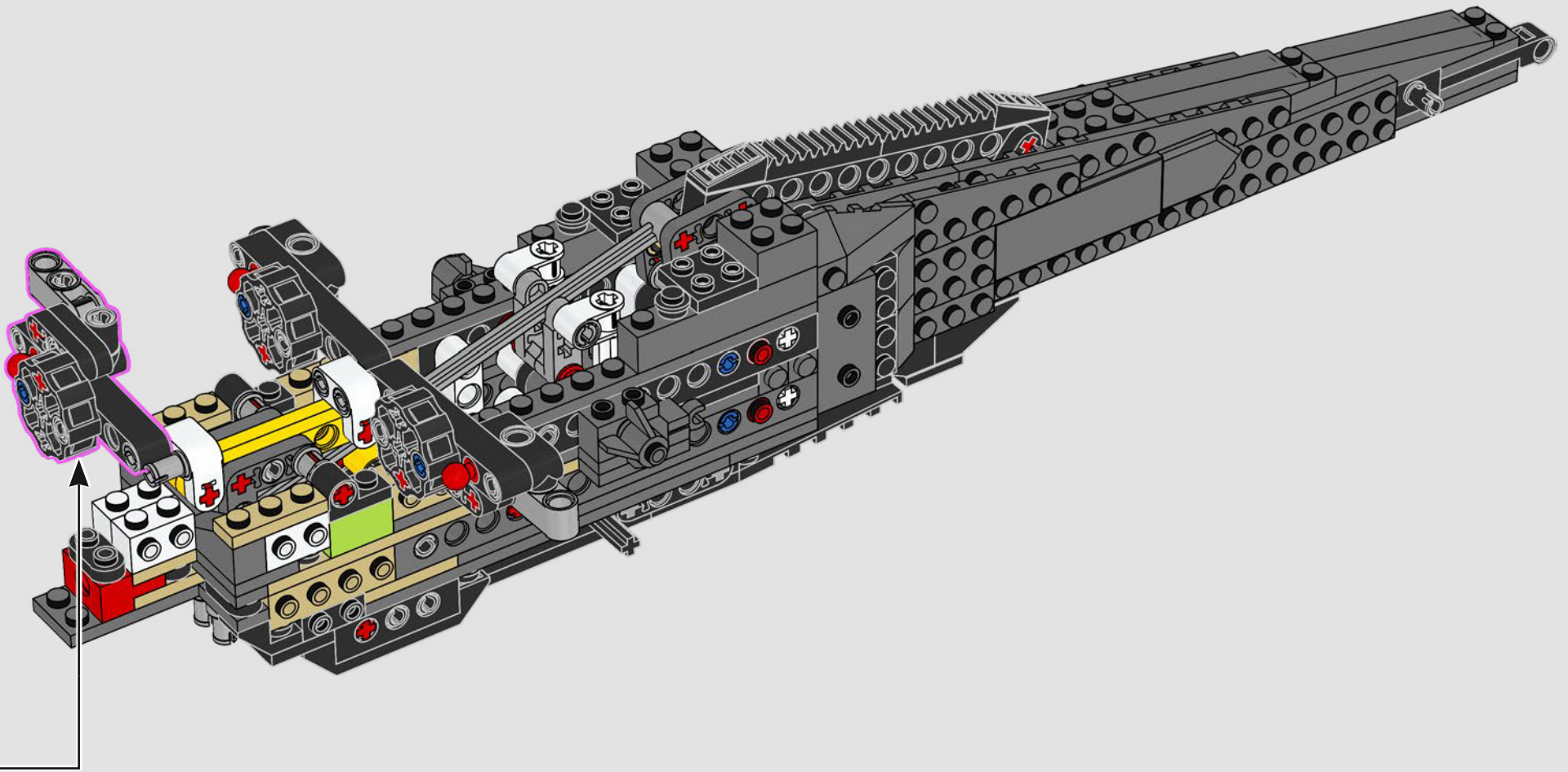


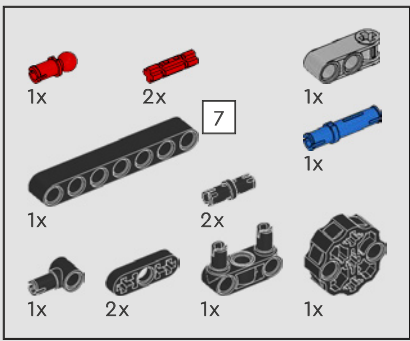
8



9





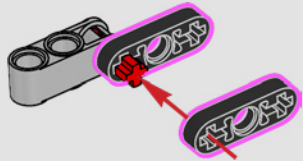


114

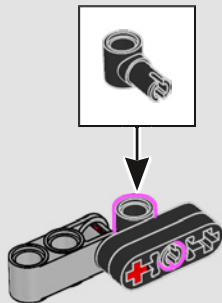
1



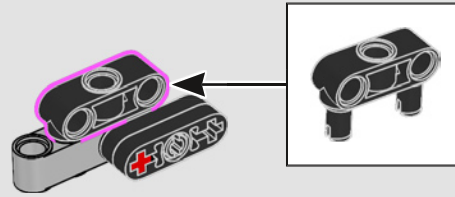
2



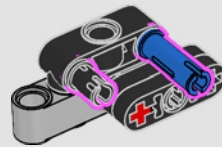
3



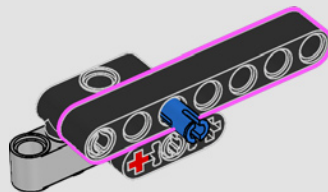
4



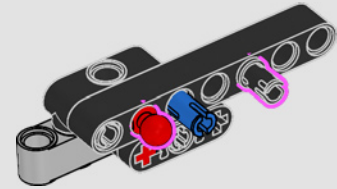
5



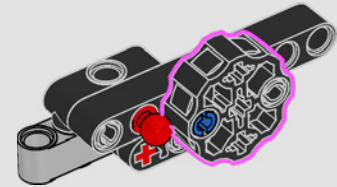
6



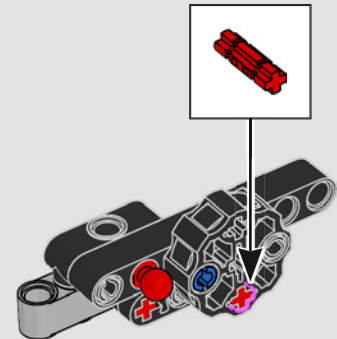
7

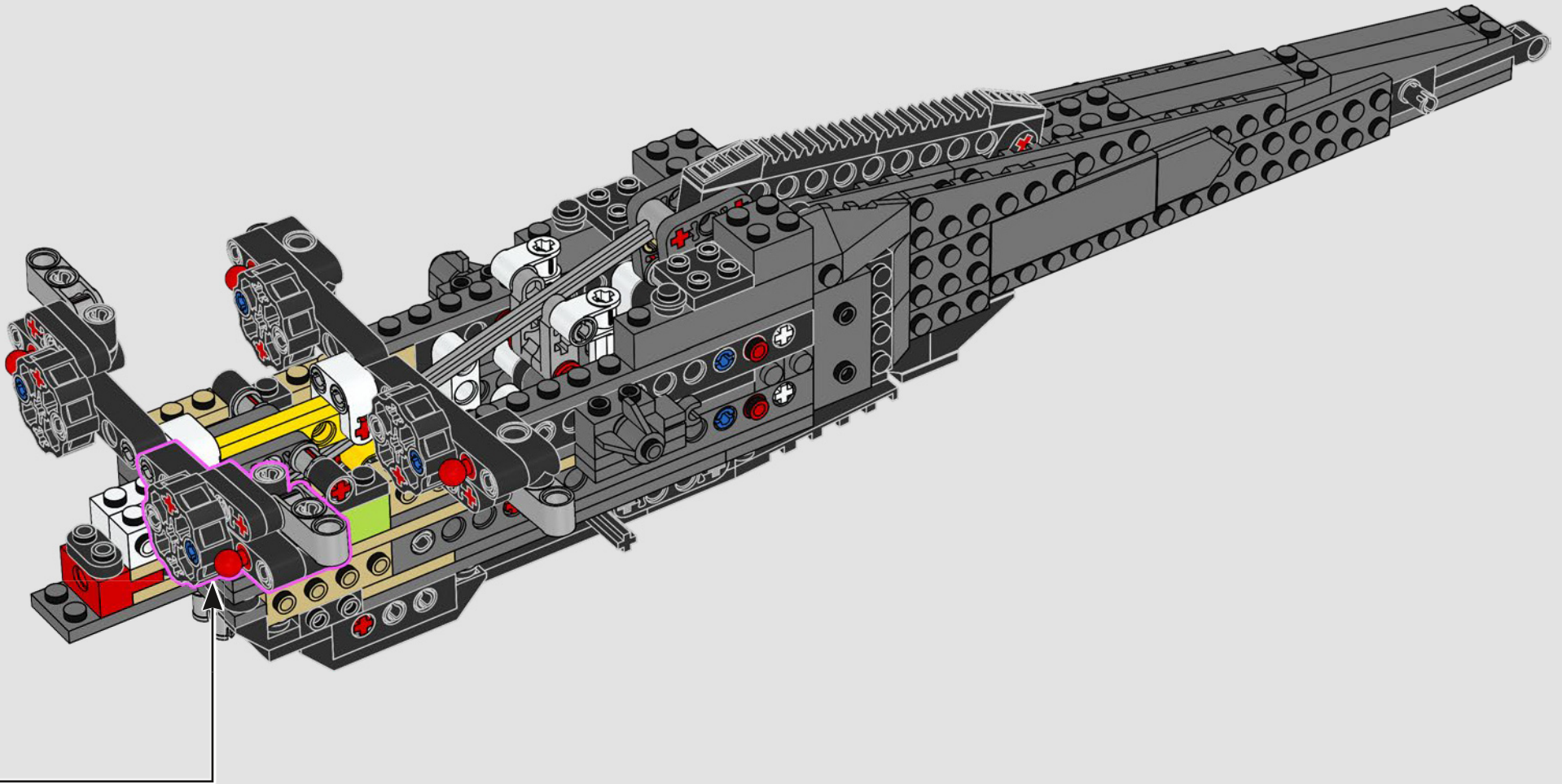


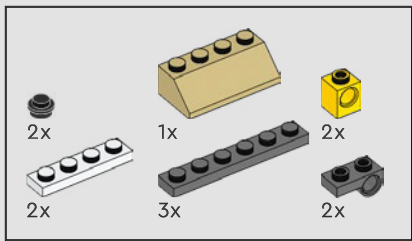
8



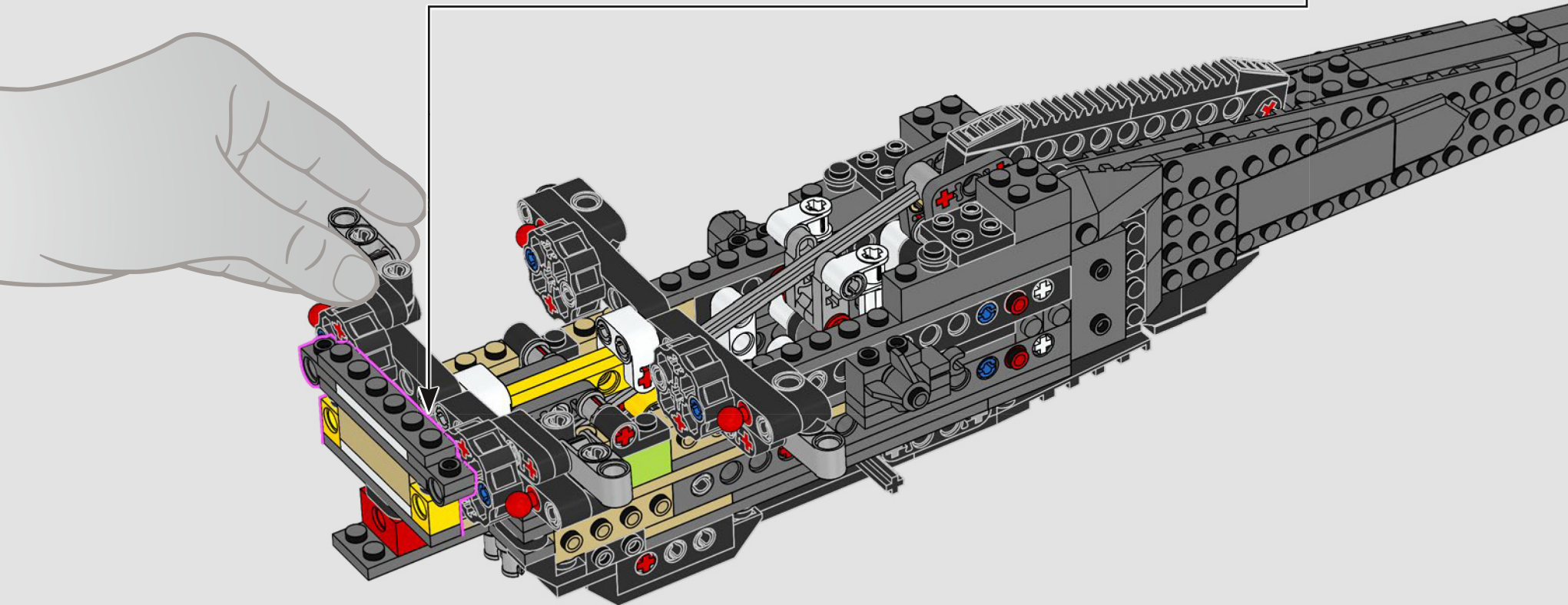
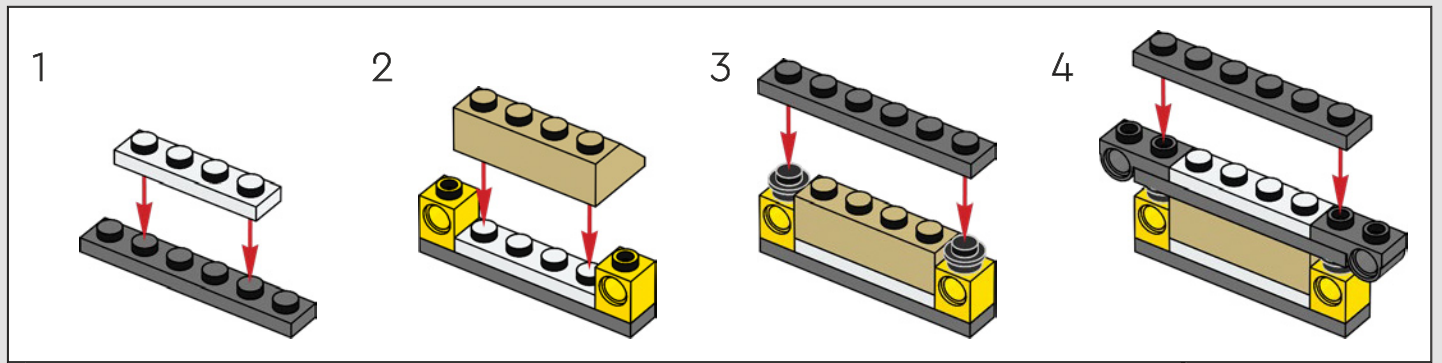
9

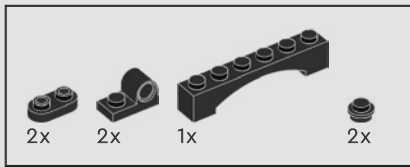






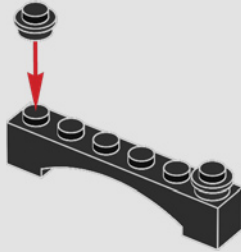
115



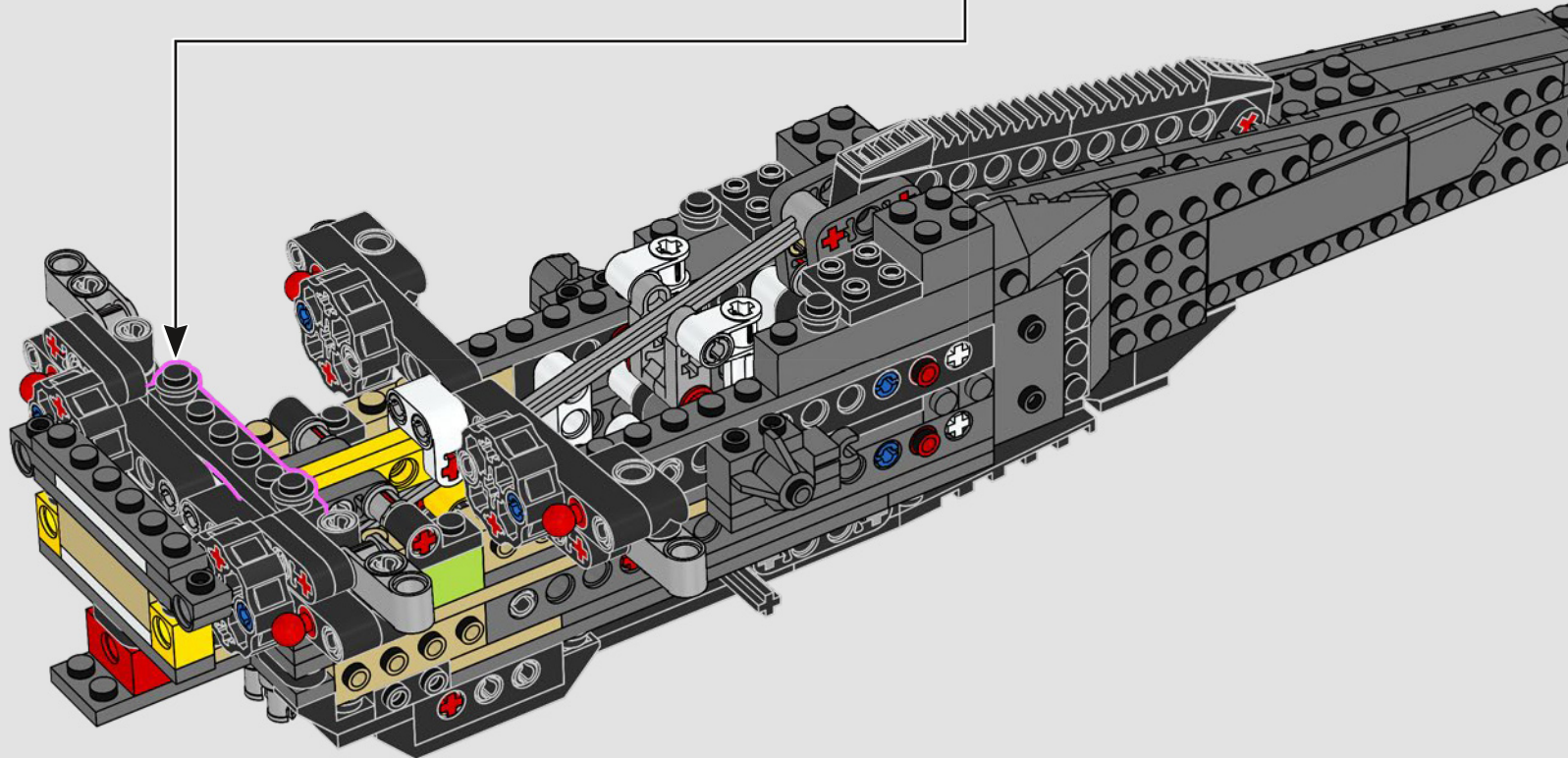
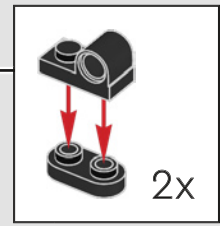
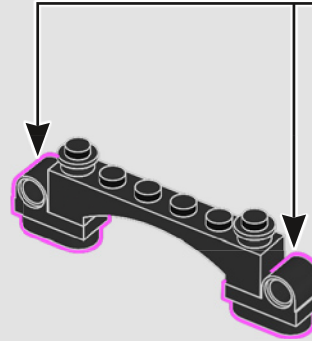


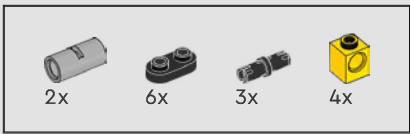
116

1

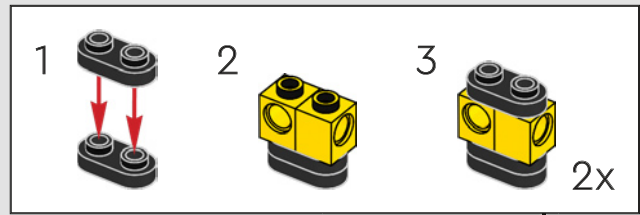


2

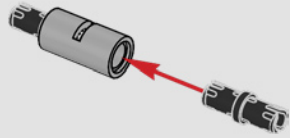




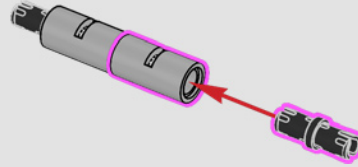
117



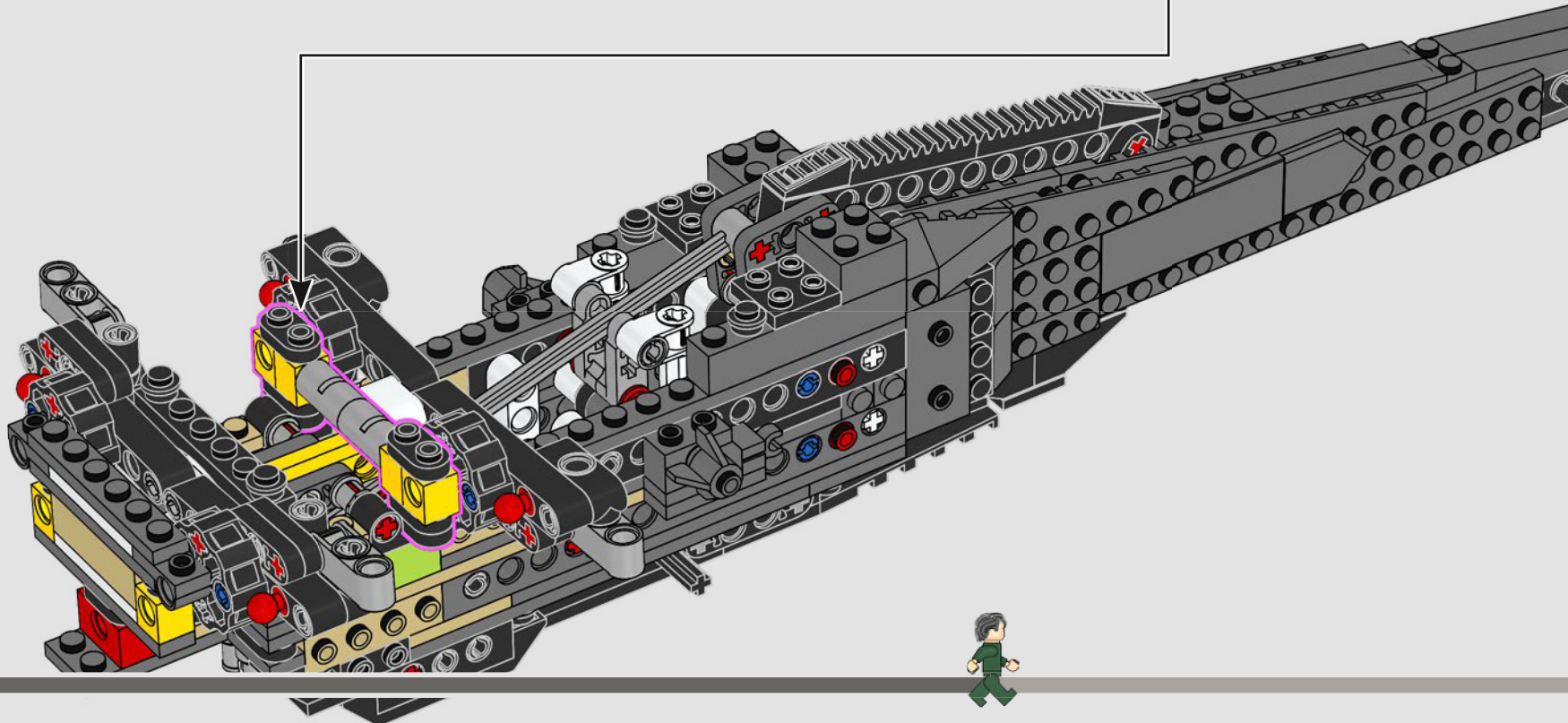
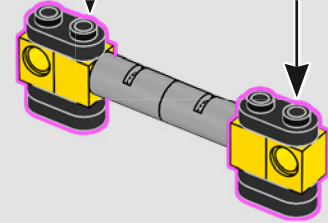
1

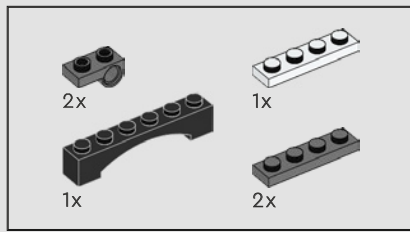


2

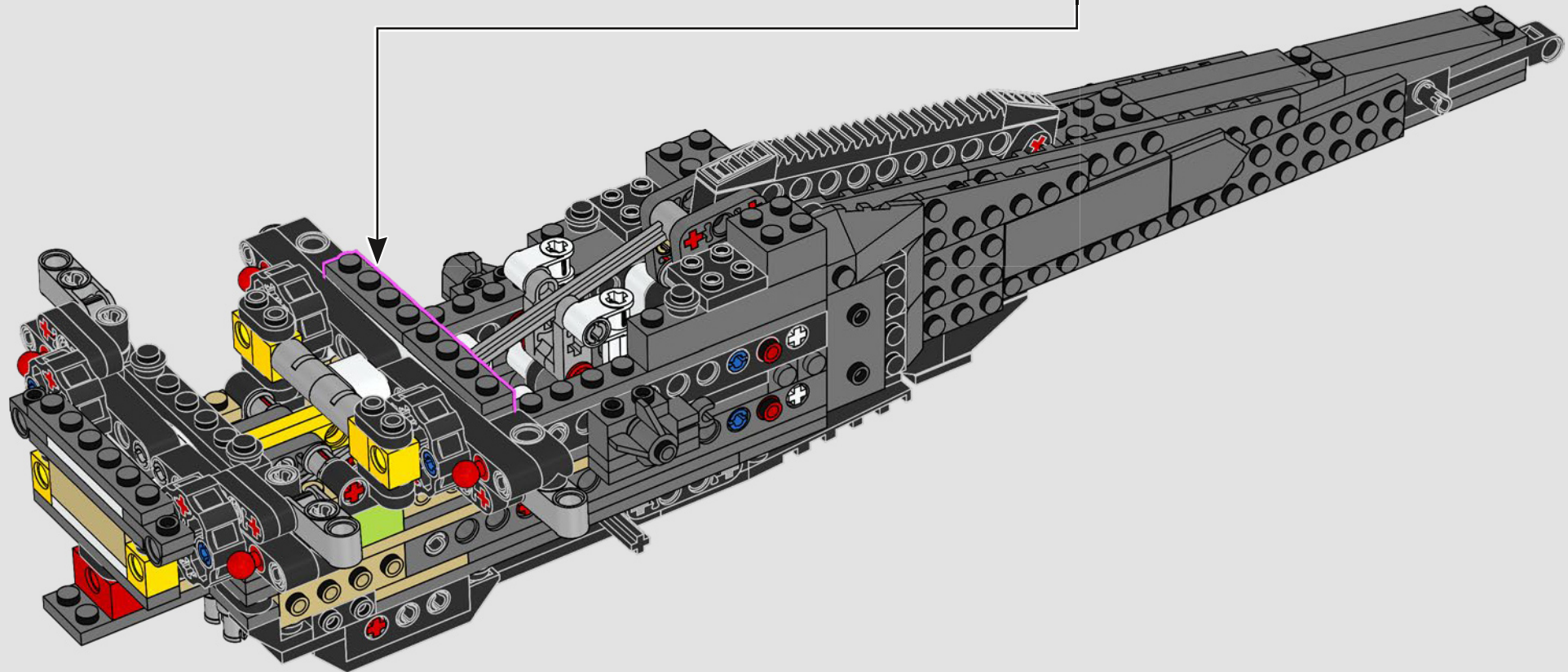
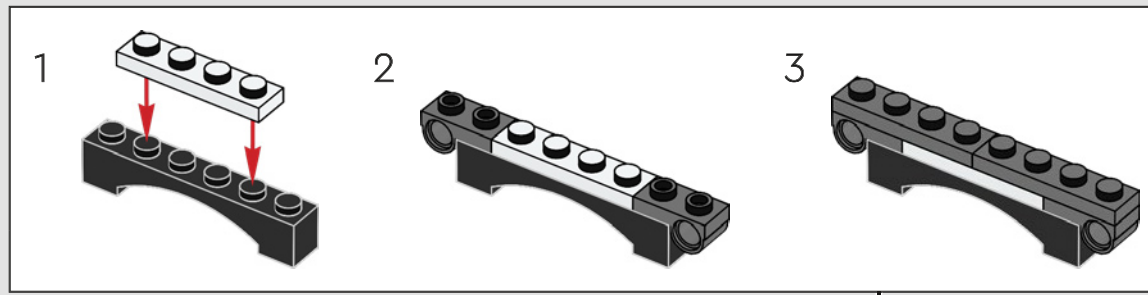


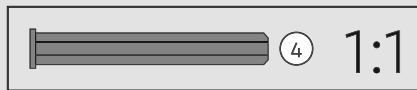
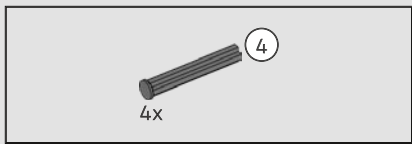
3



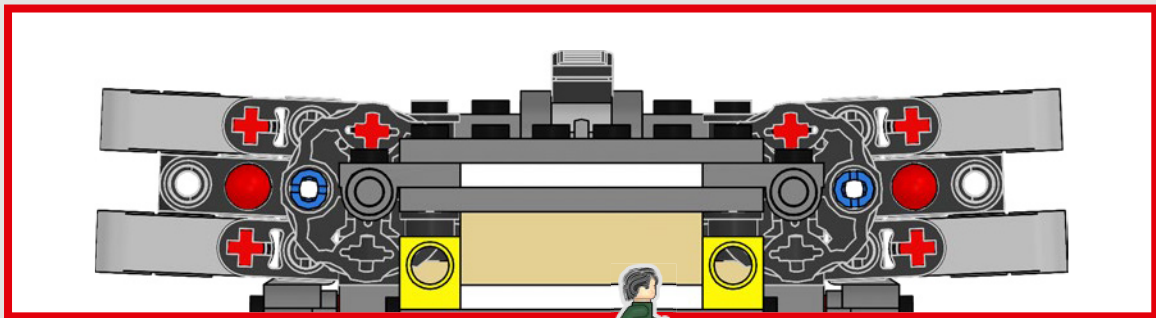
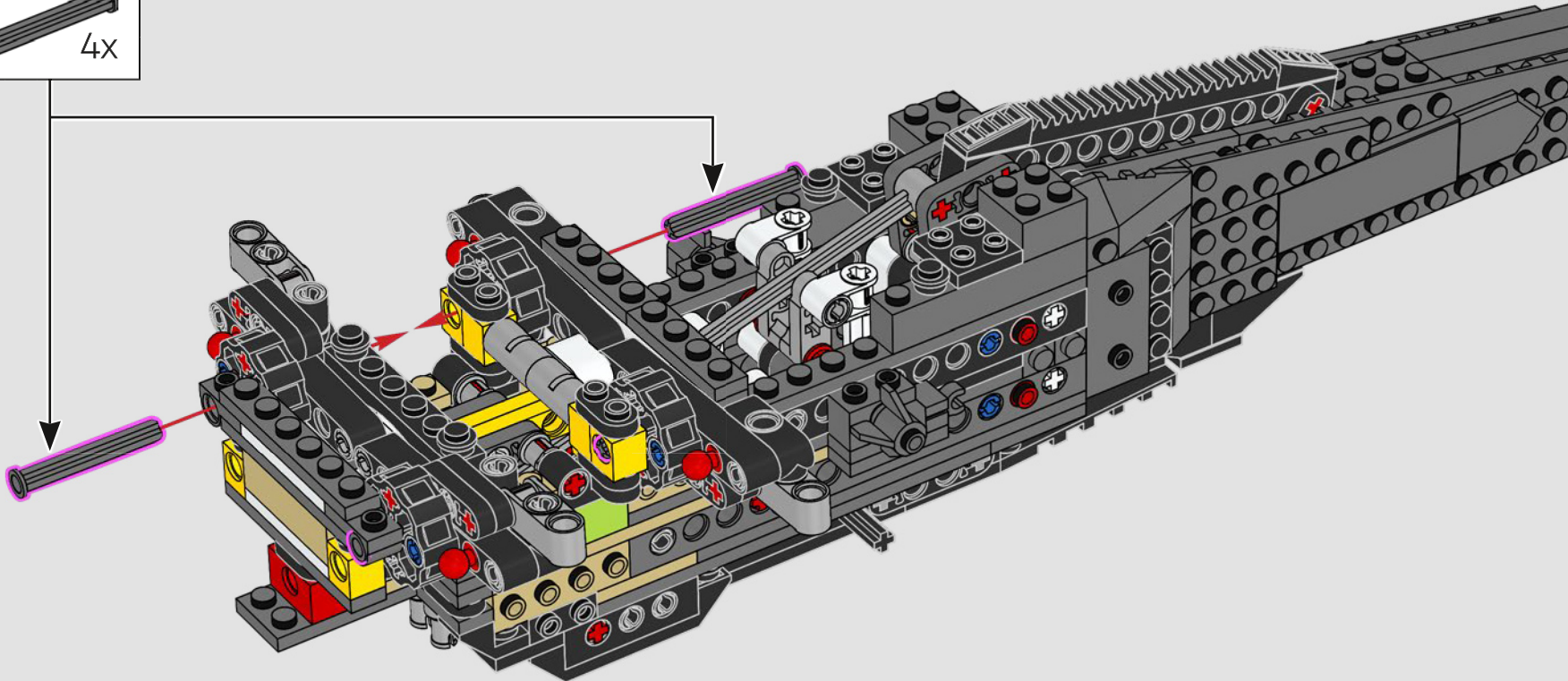
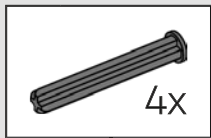


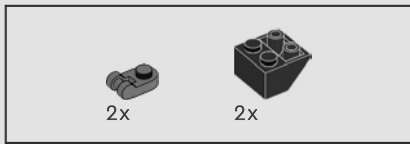
118



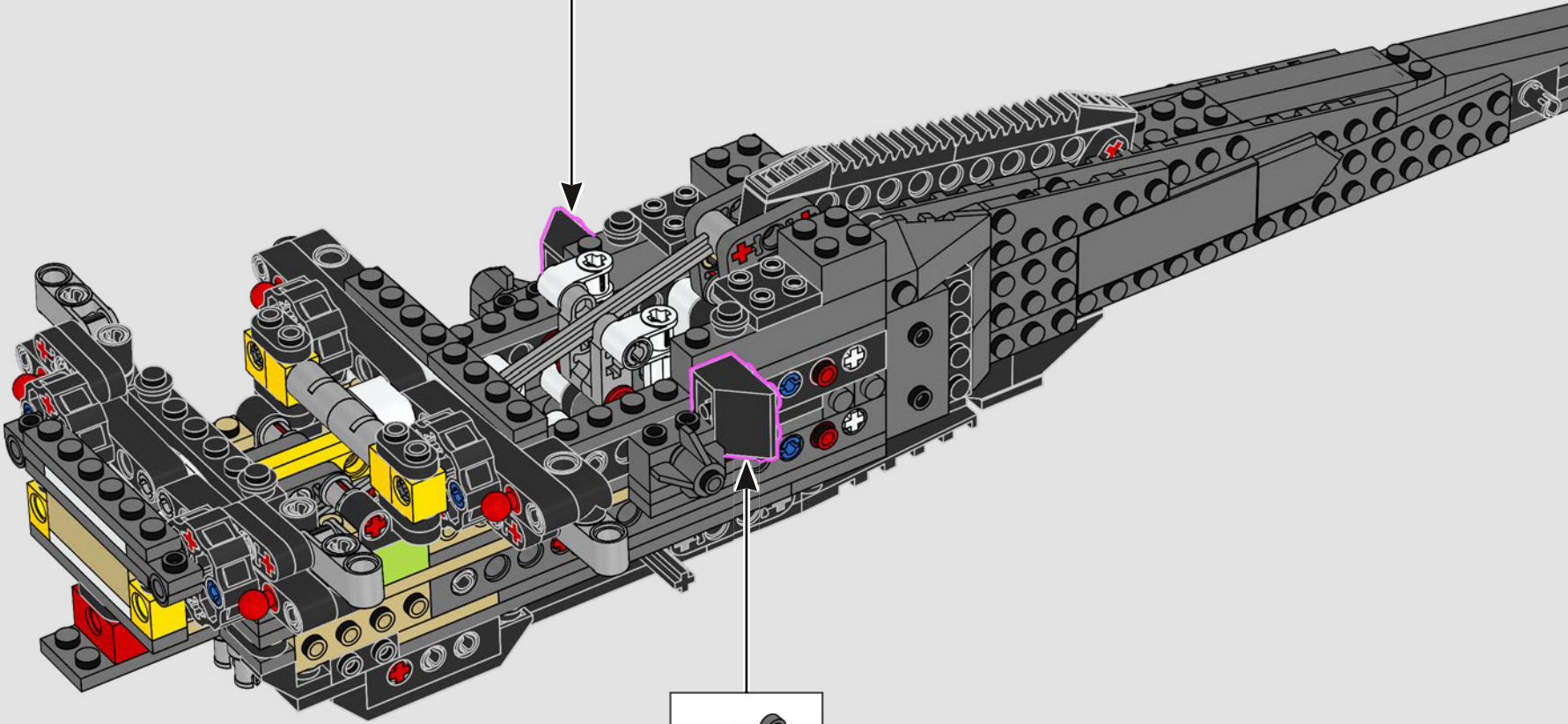
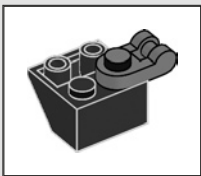


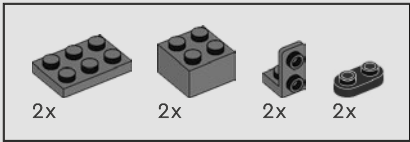
119



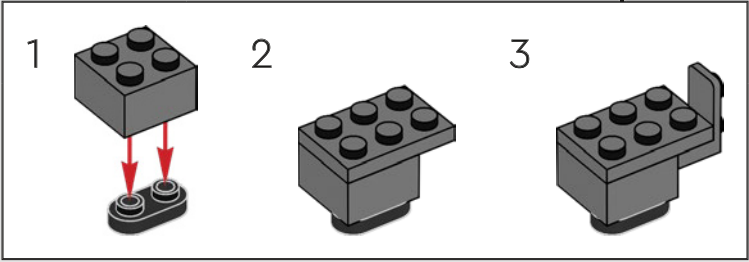
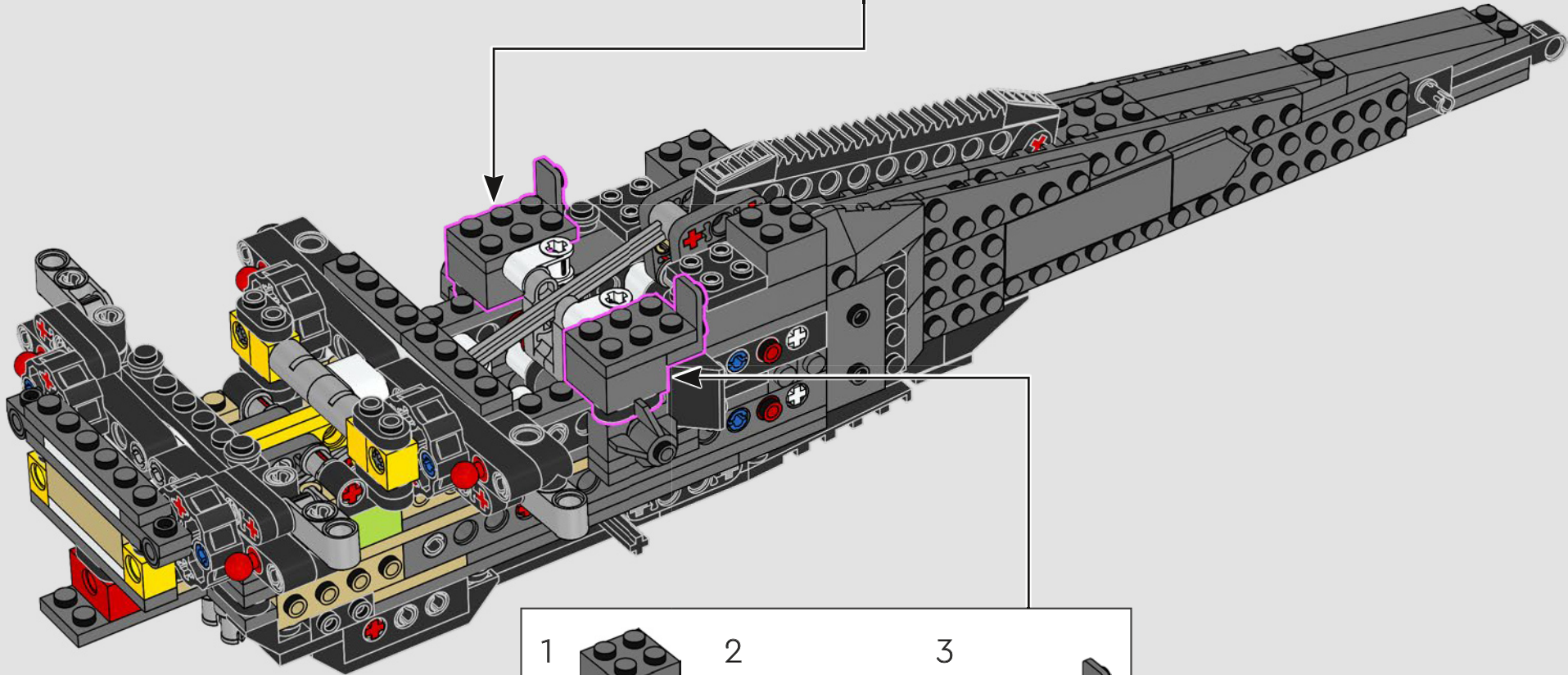
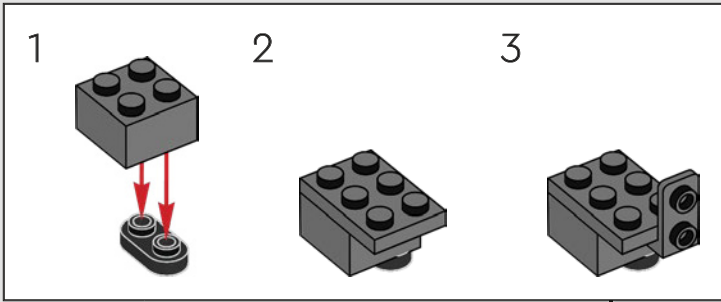


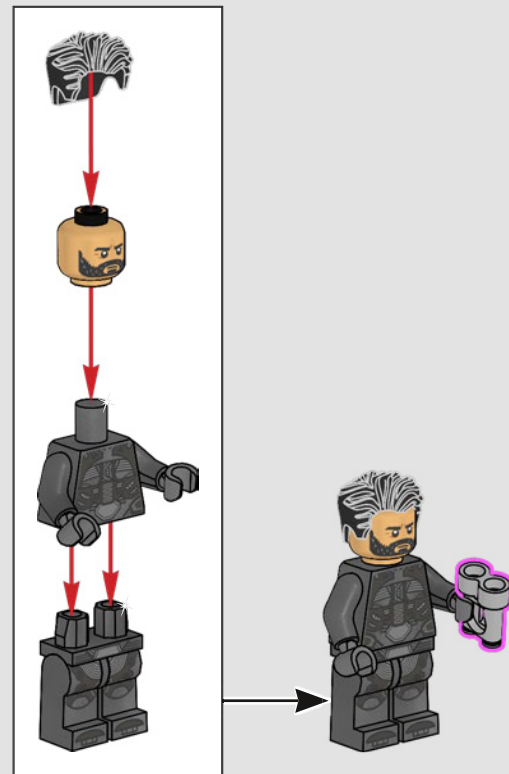
120





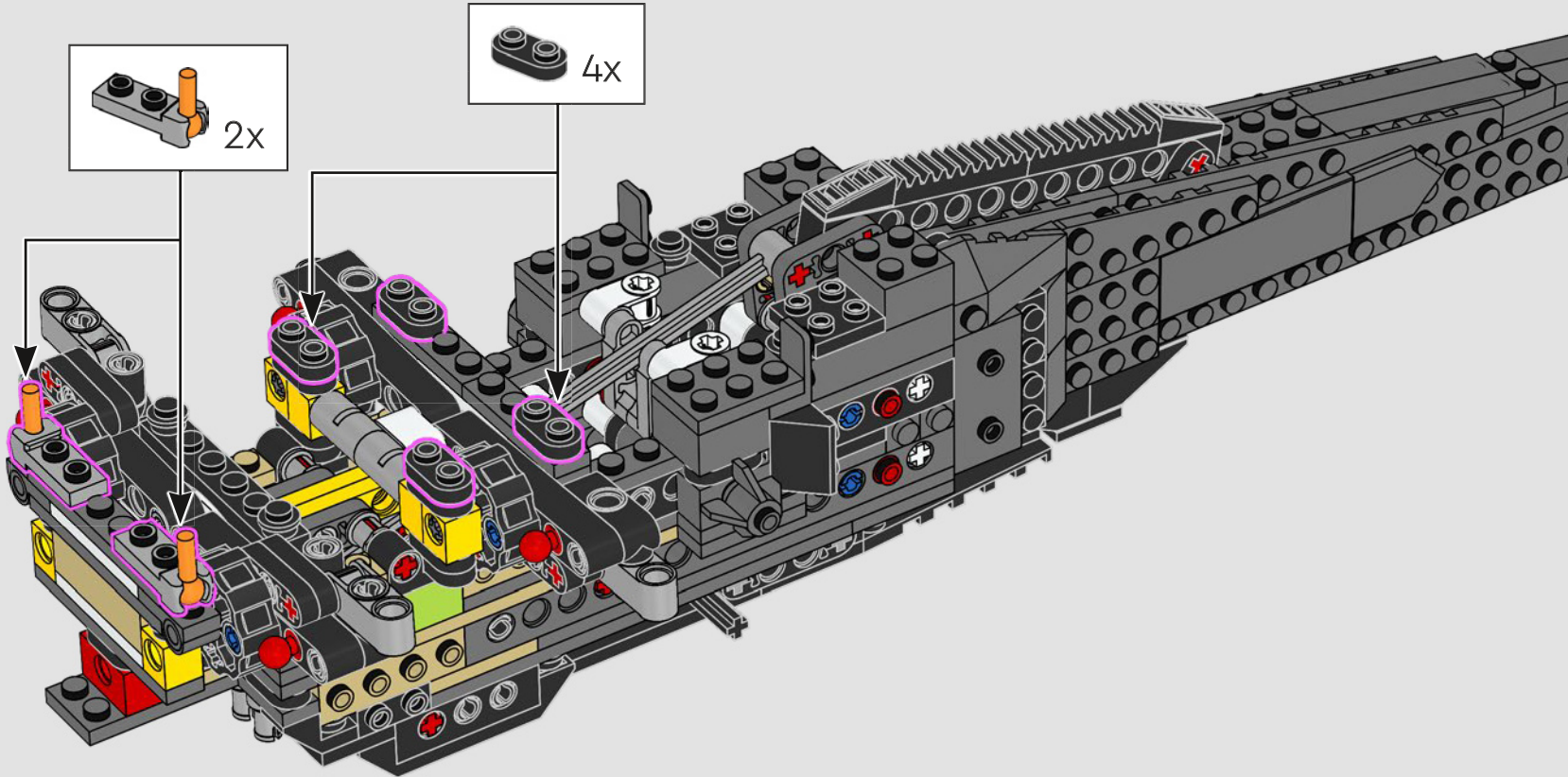
121





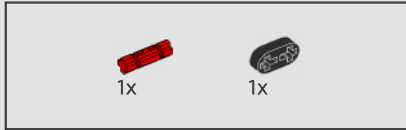
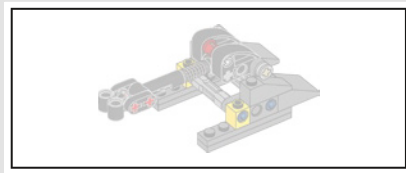


122

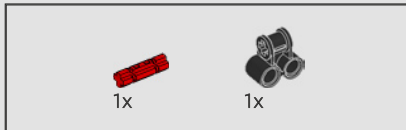




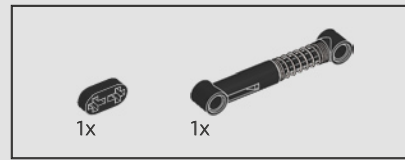
Activating this lever will extend and retract the wings of the craft.



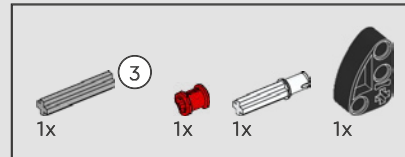
123



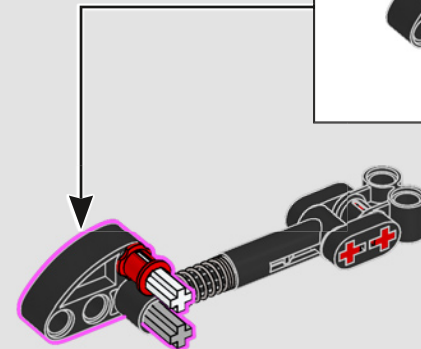
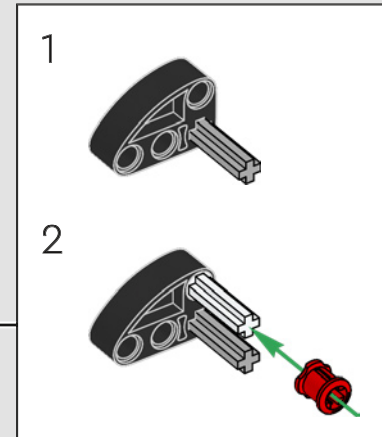
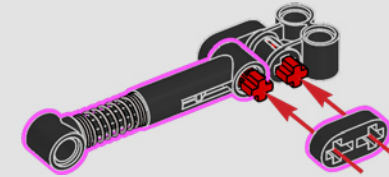
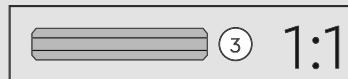
124



125

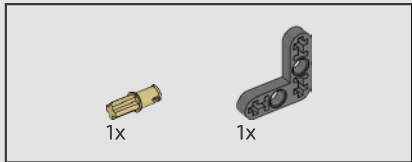
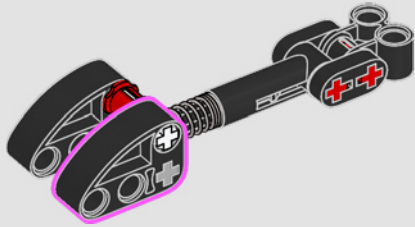


126

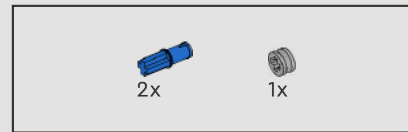
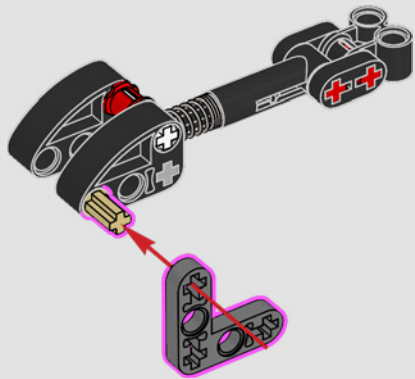




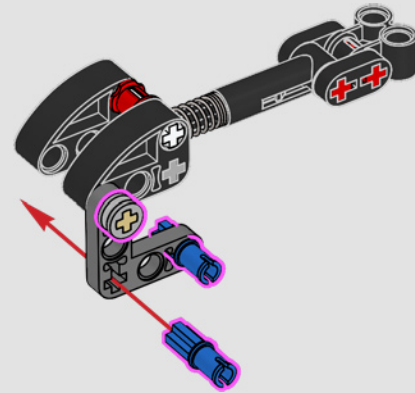
127

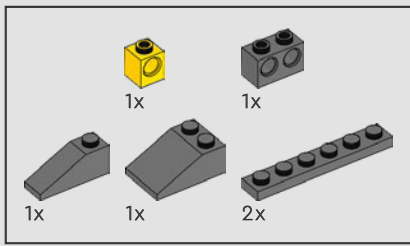


128

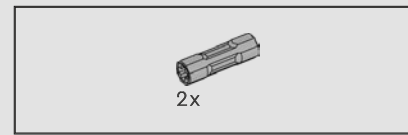
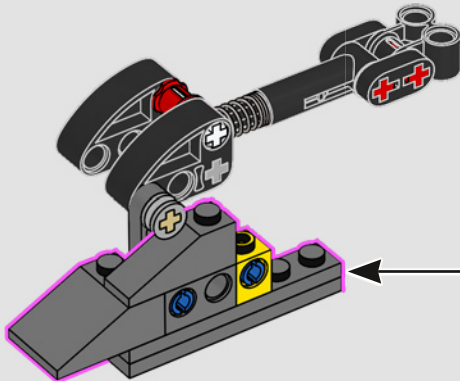
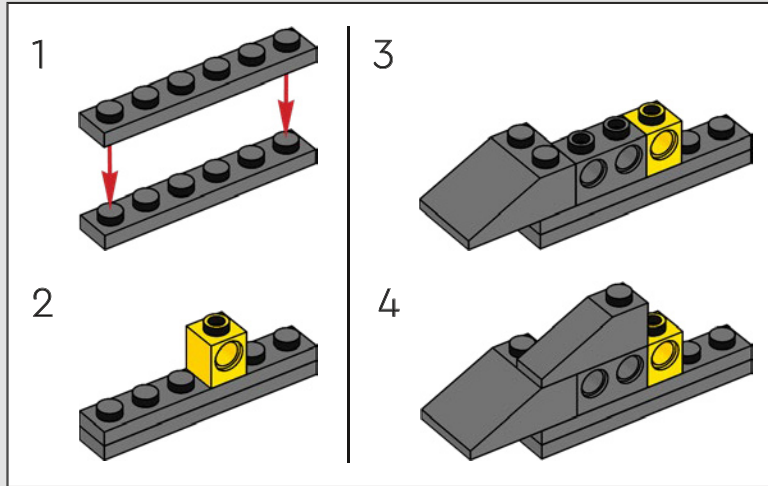


129

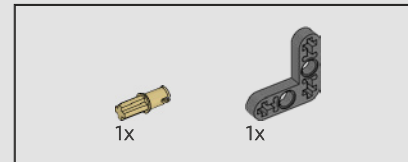
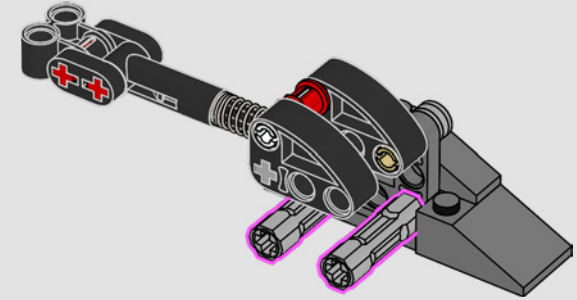
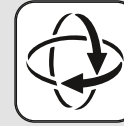




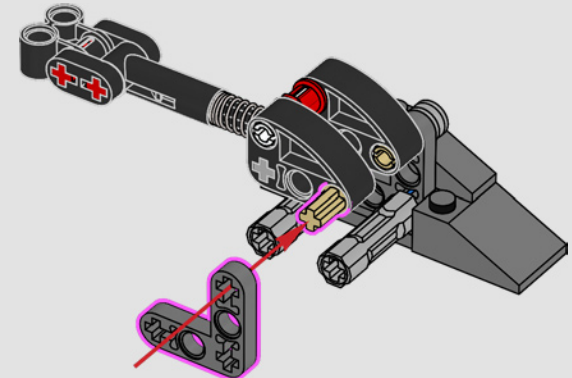
130

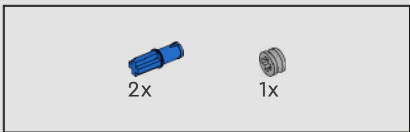


131

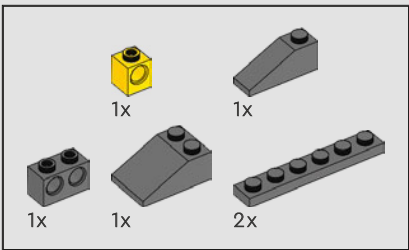
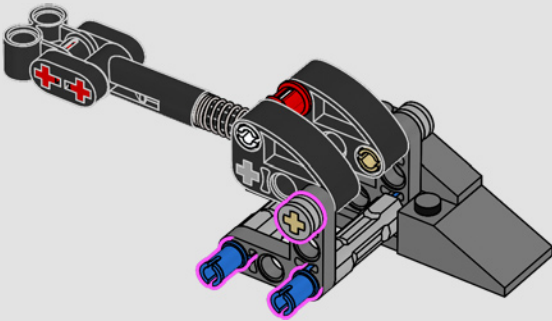


132

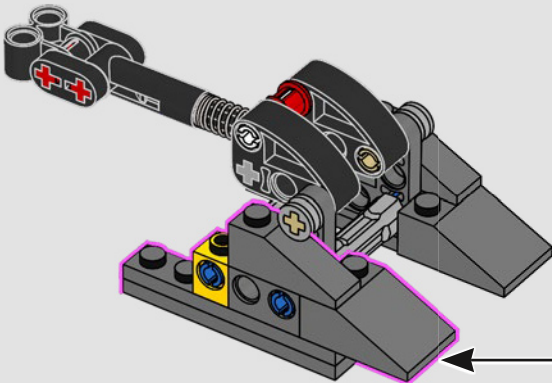
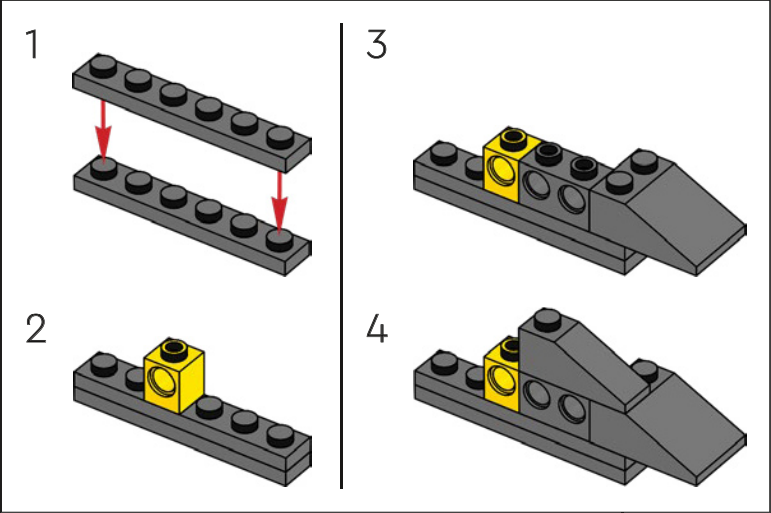




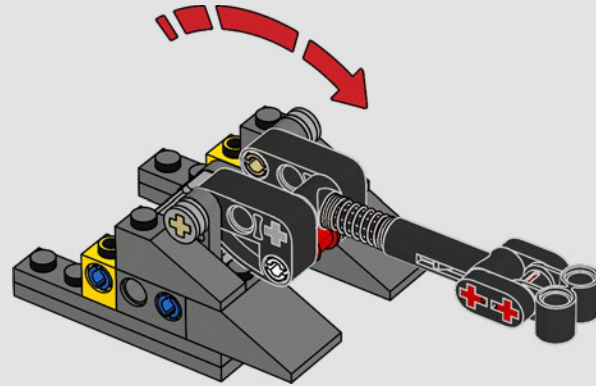
133



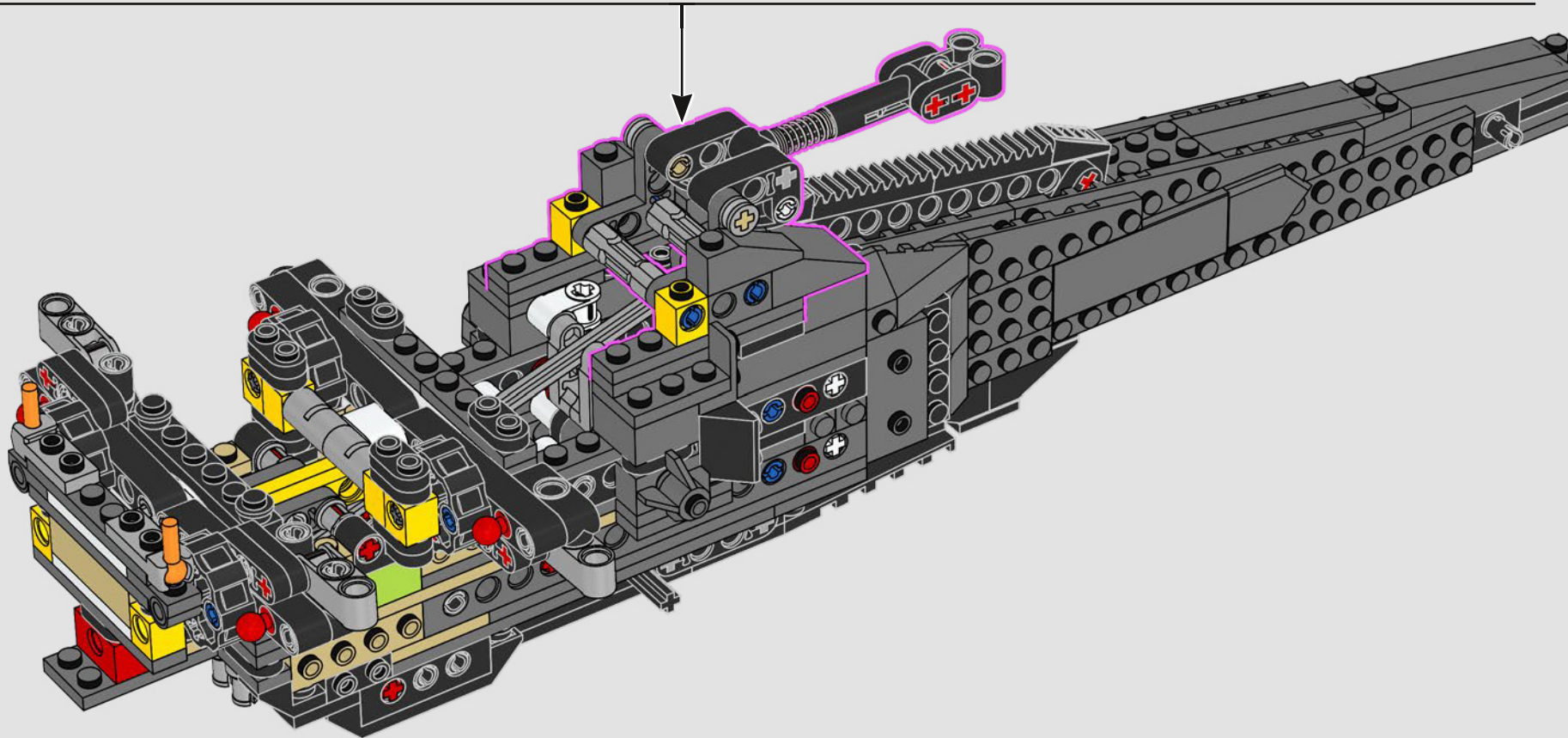
134

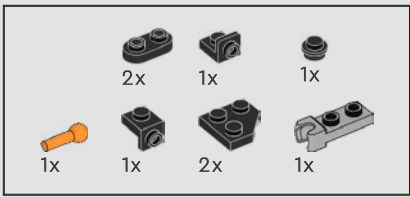


135

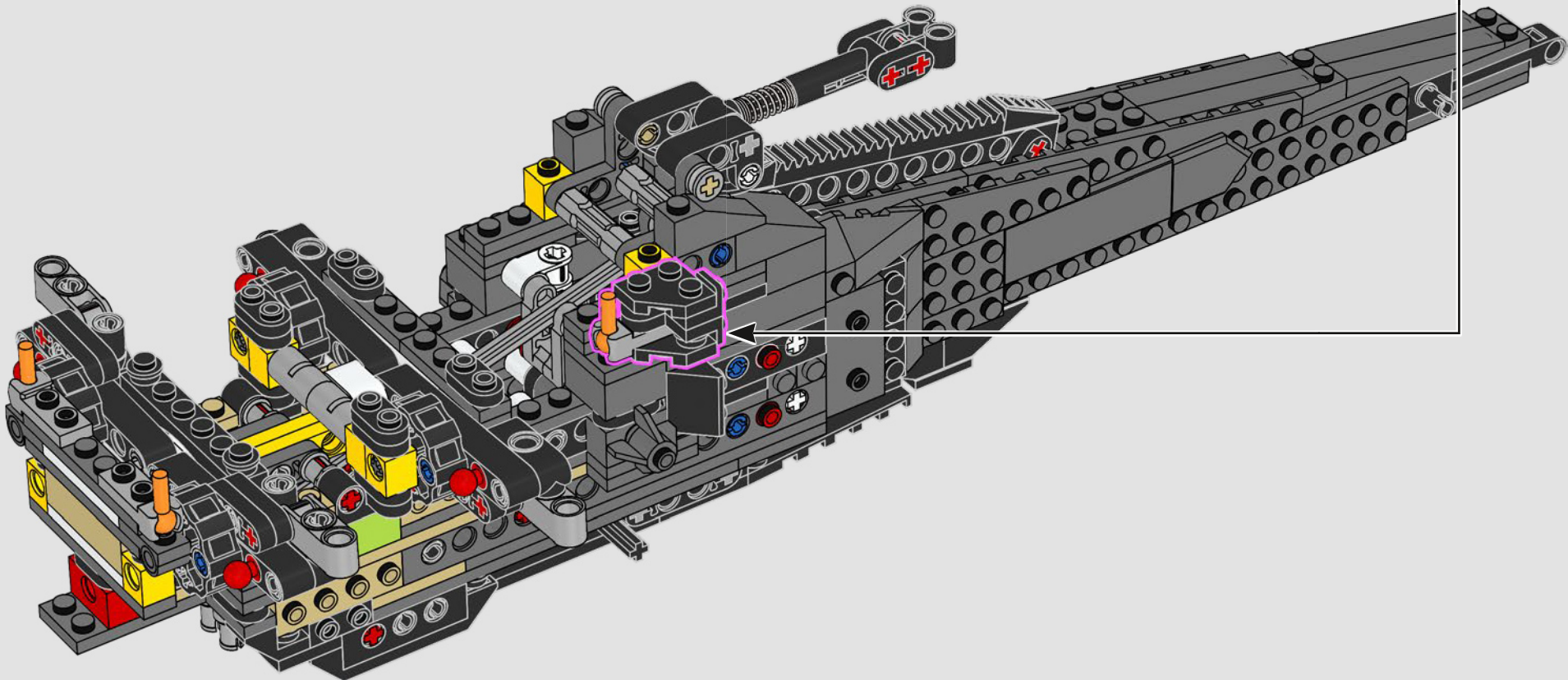
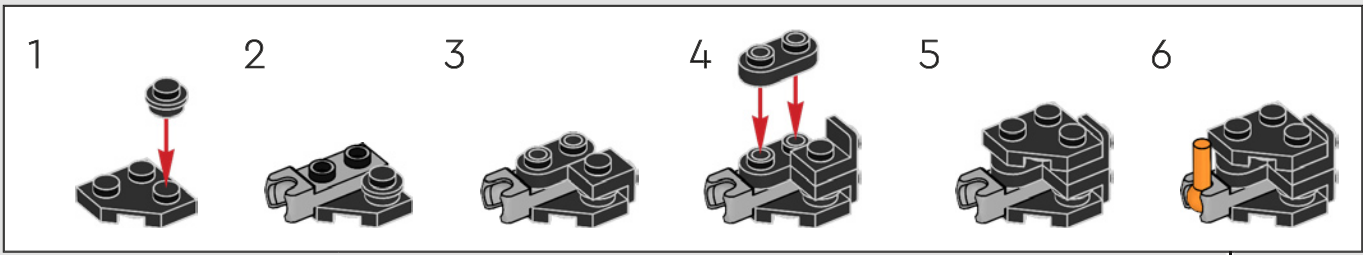


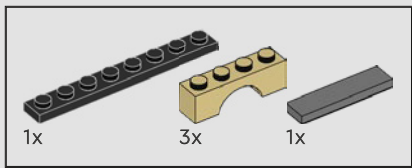
136



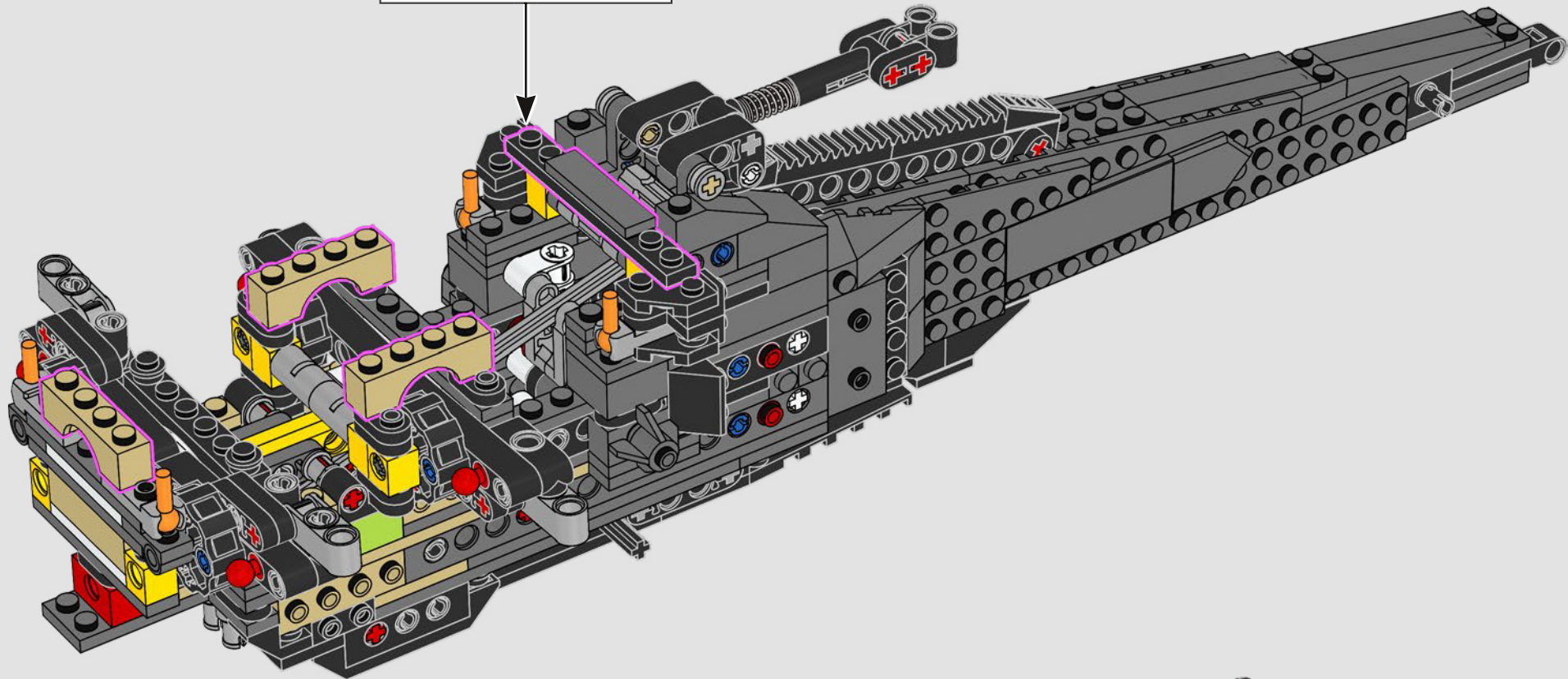
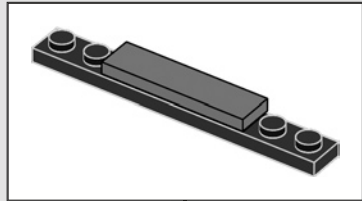


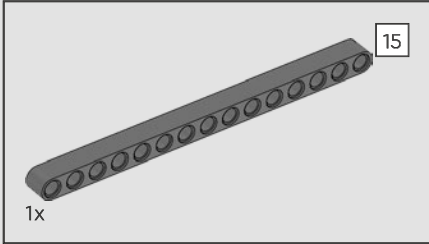
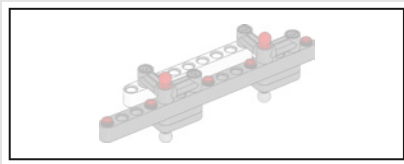
137



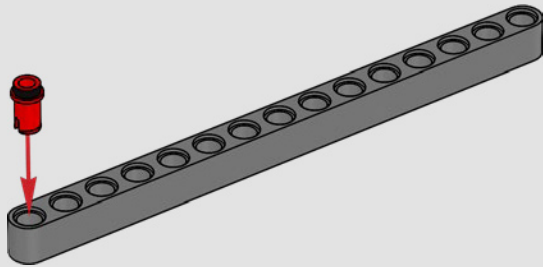


139

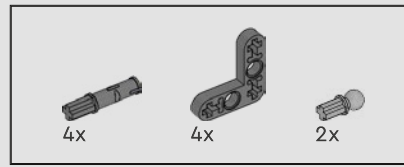
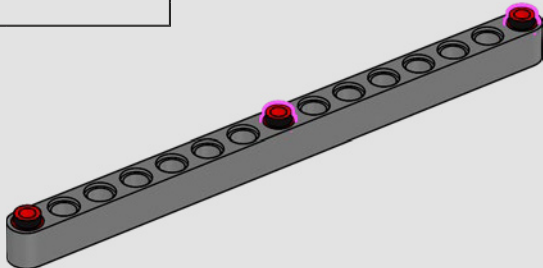




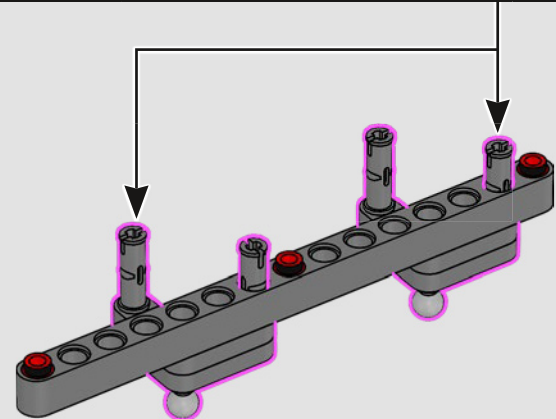
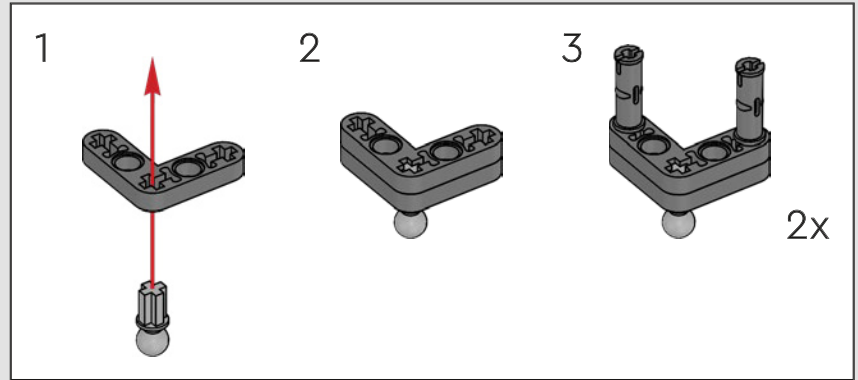
140



141



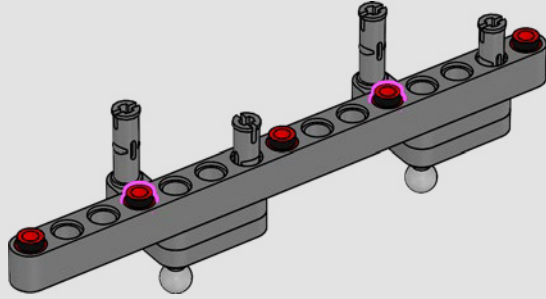
142





2x

143



2x

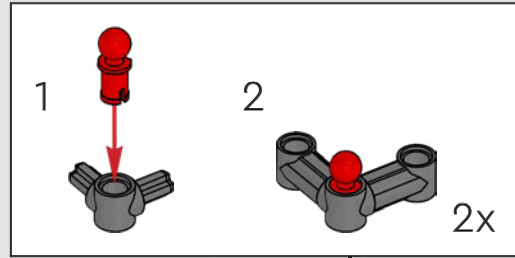


4x



2x

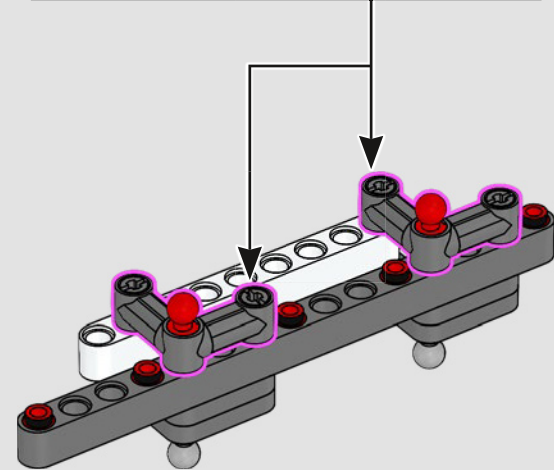
145



1

2

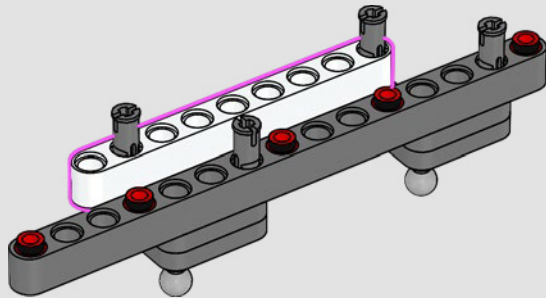
2x



9

1x

144

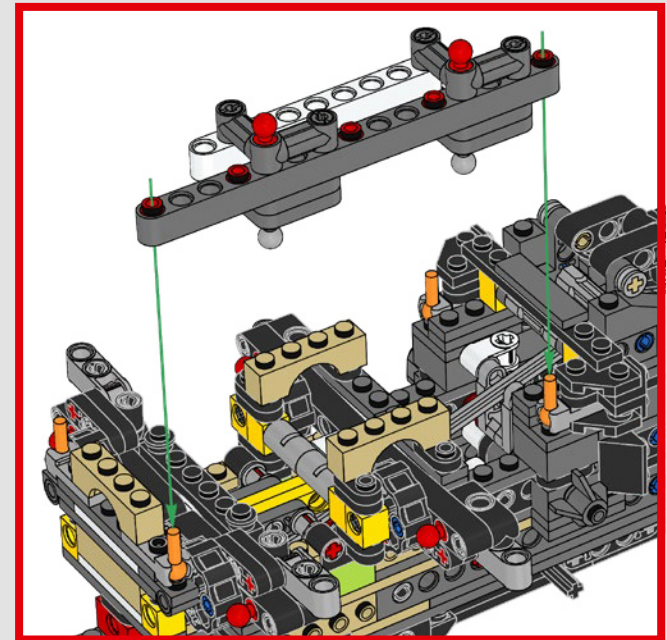
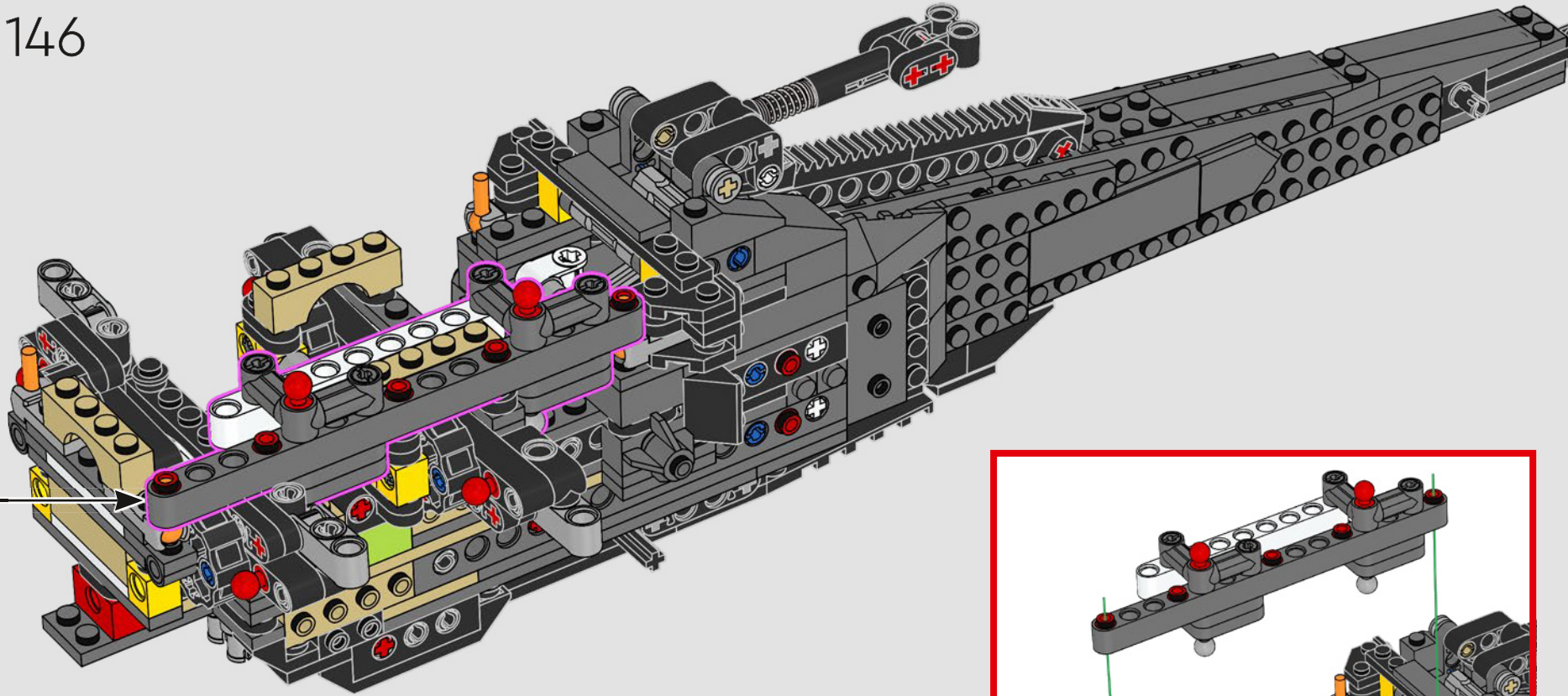


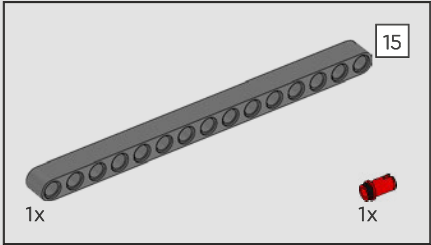
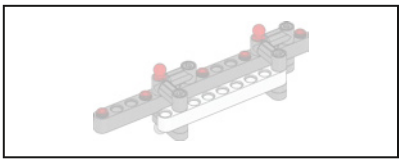
9

1:1

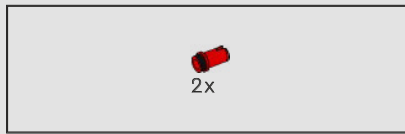
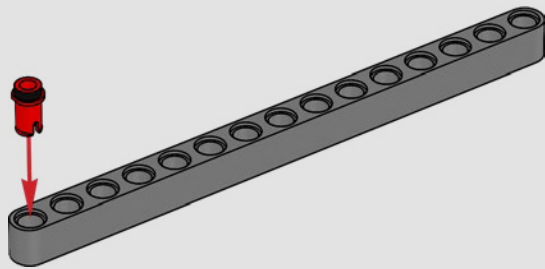


146

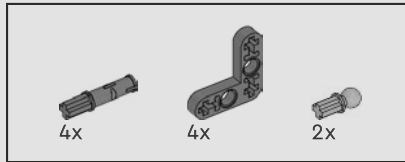
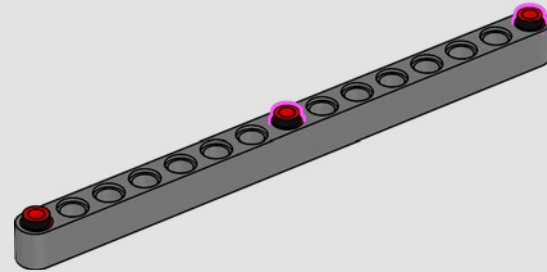




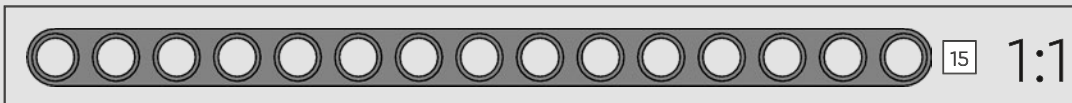
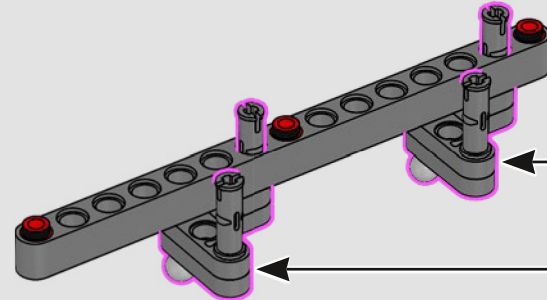
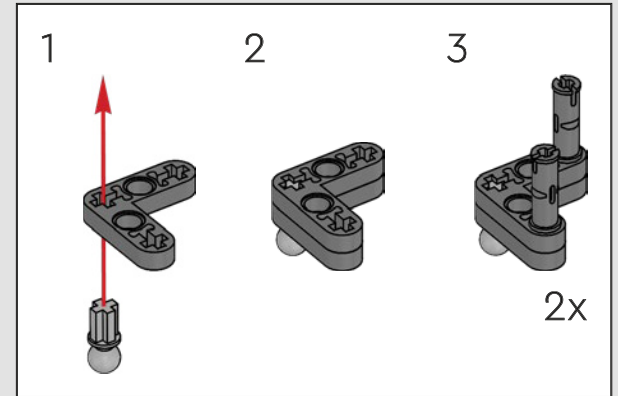
147



148

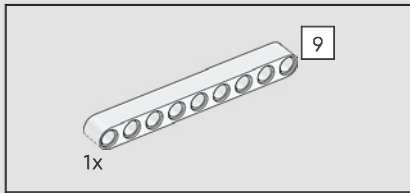
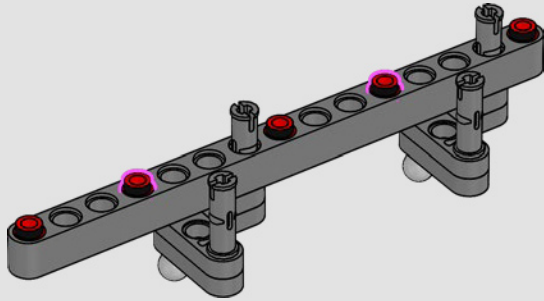


149

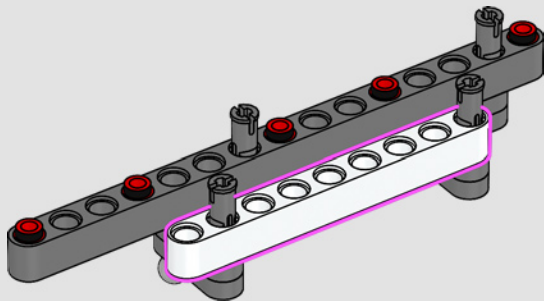




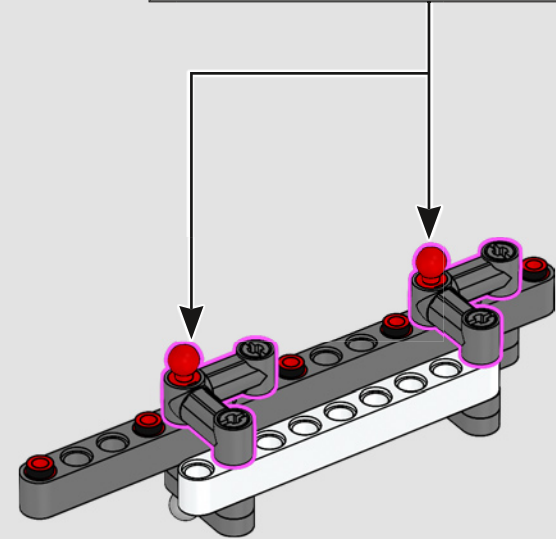
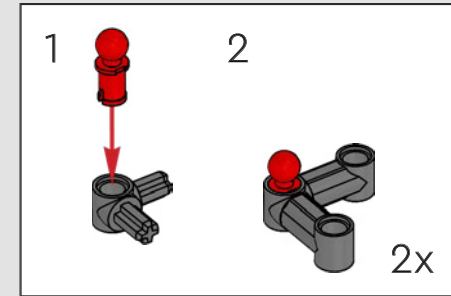
150



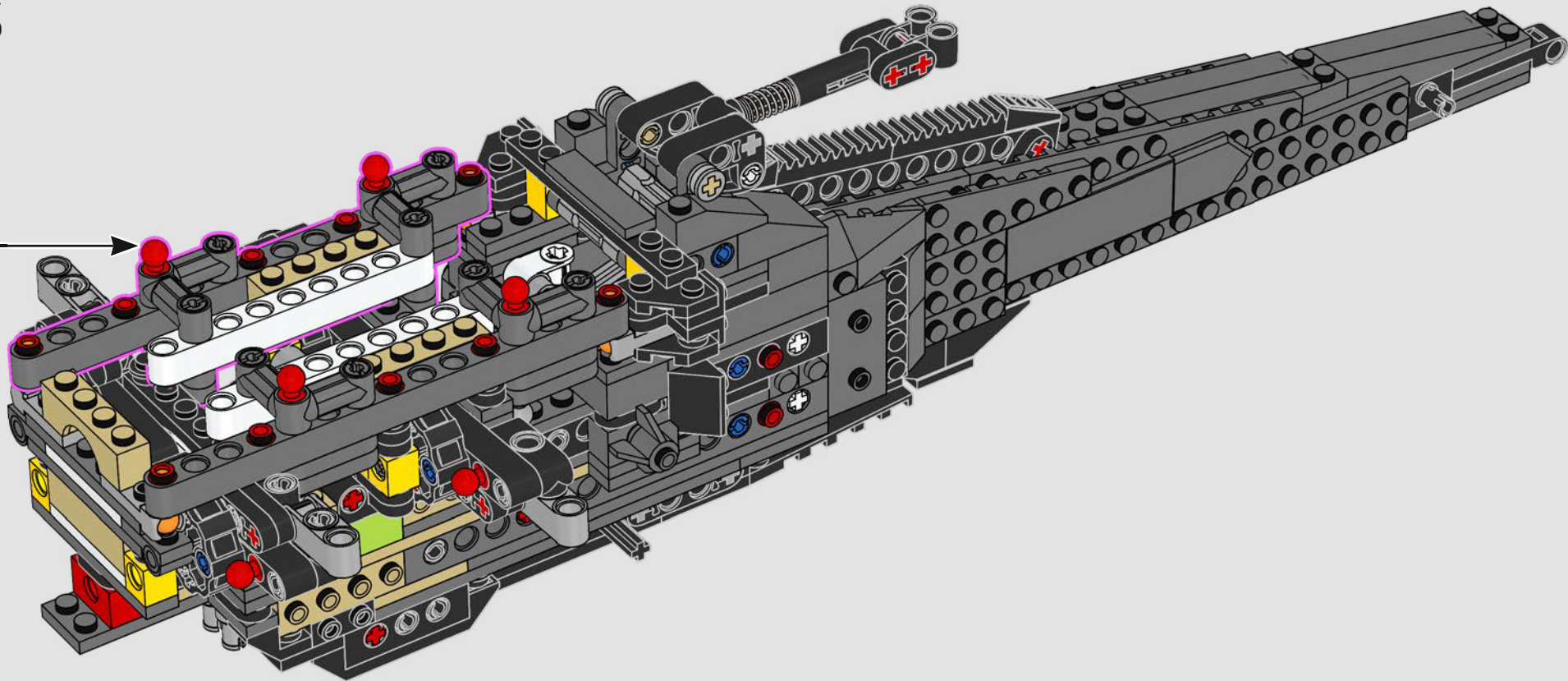
151



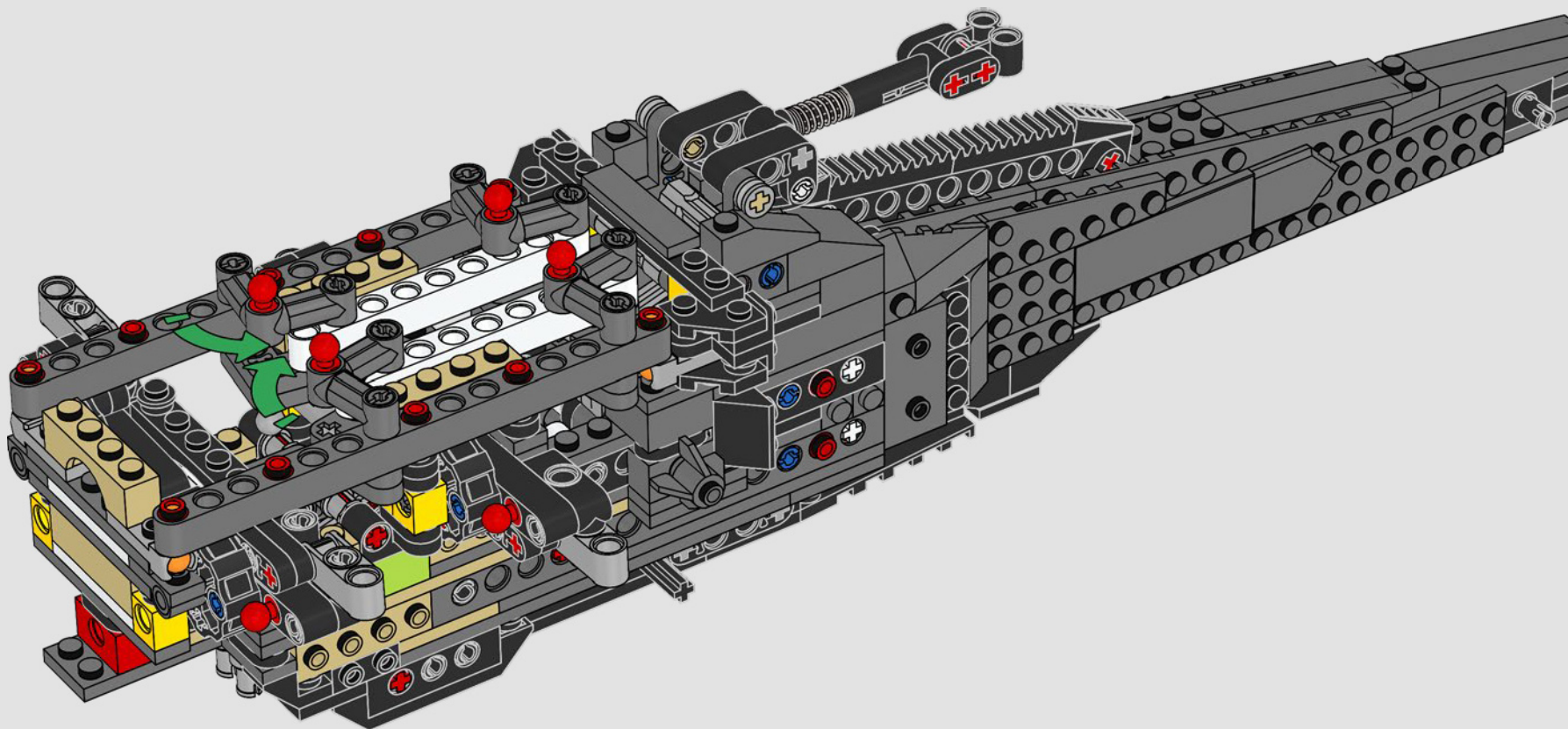
152

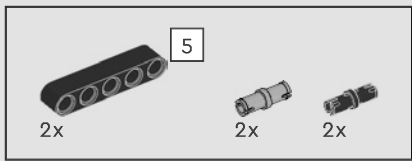


153

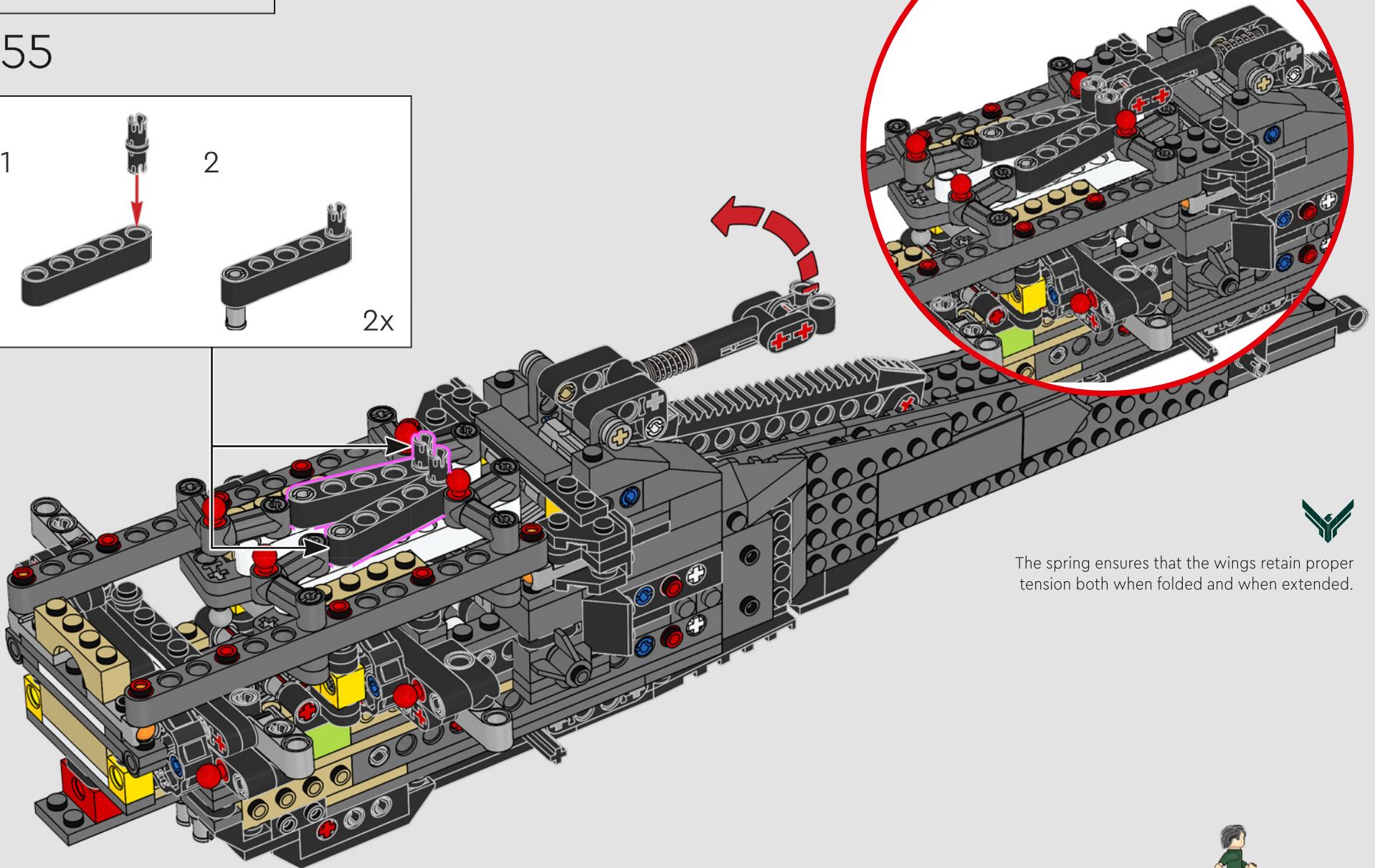
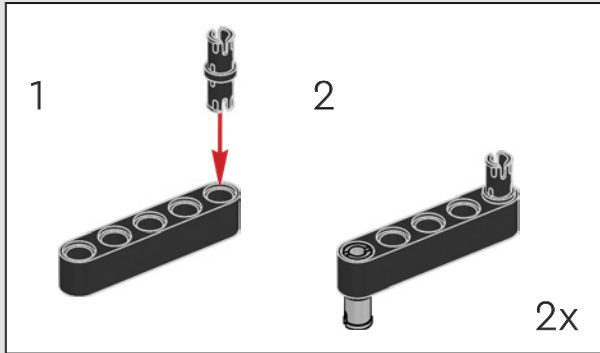


154





155

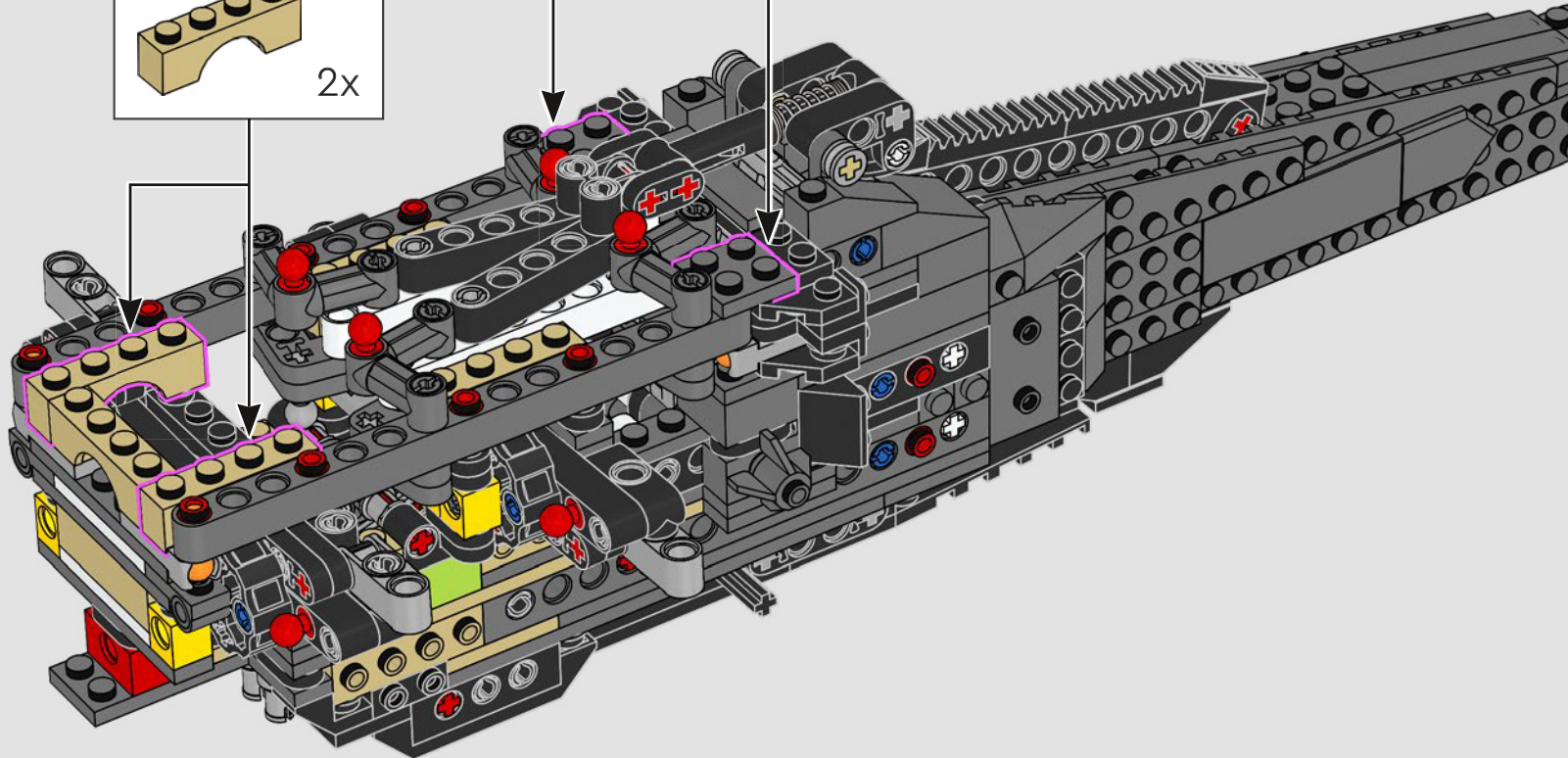
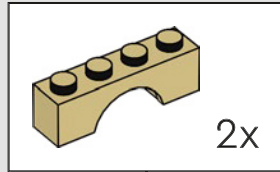
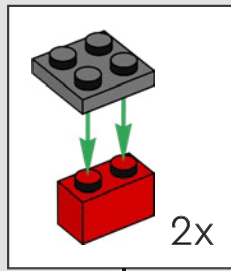


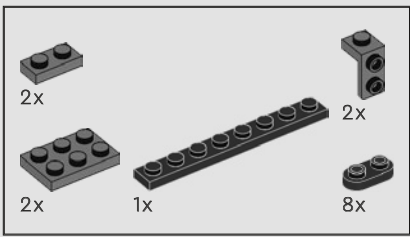
The spring ensures that the wings retain proper tension both when folded and when extended.



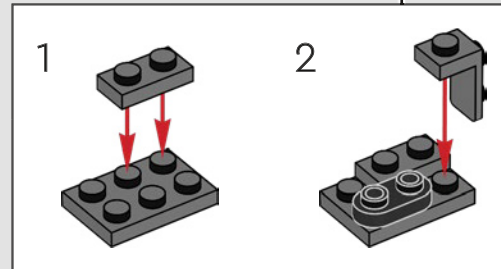
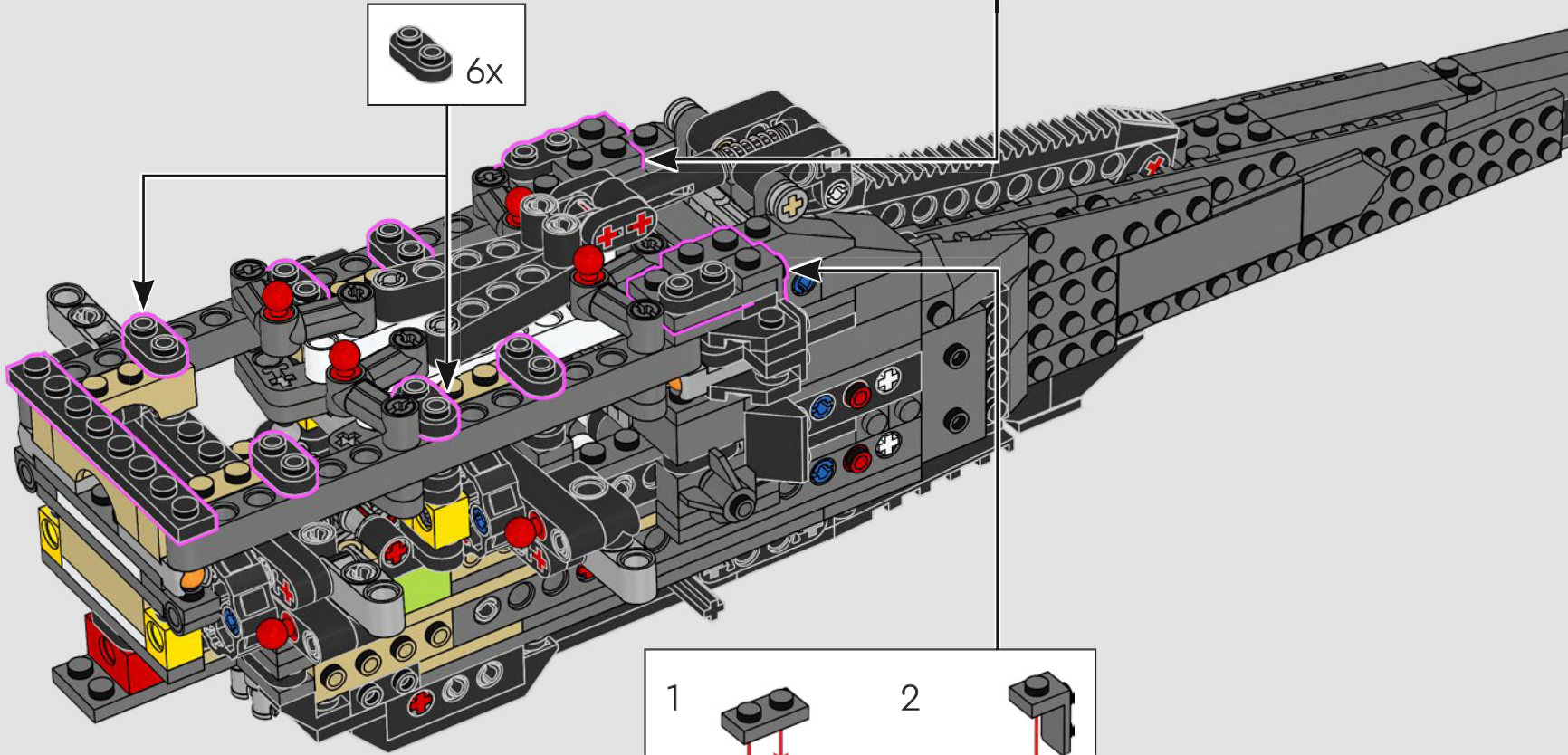
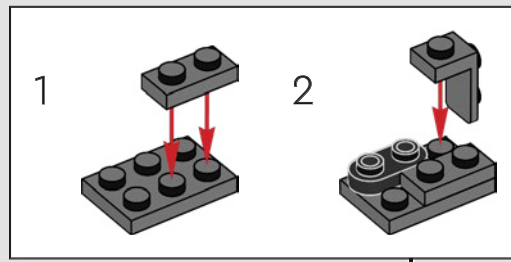


156



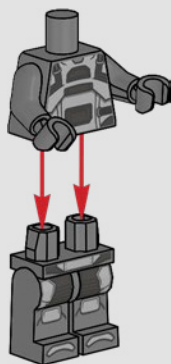


157

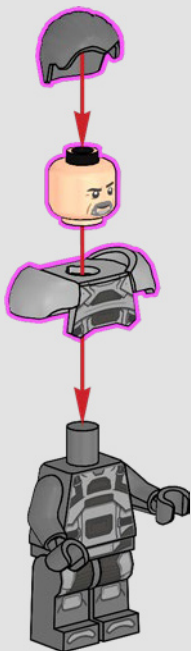




1

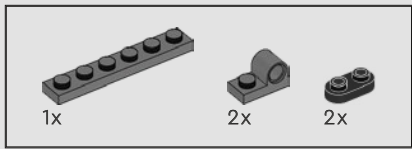


2

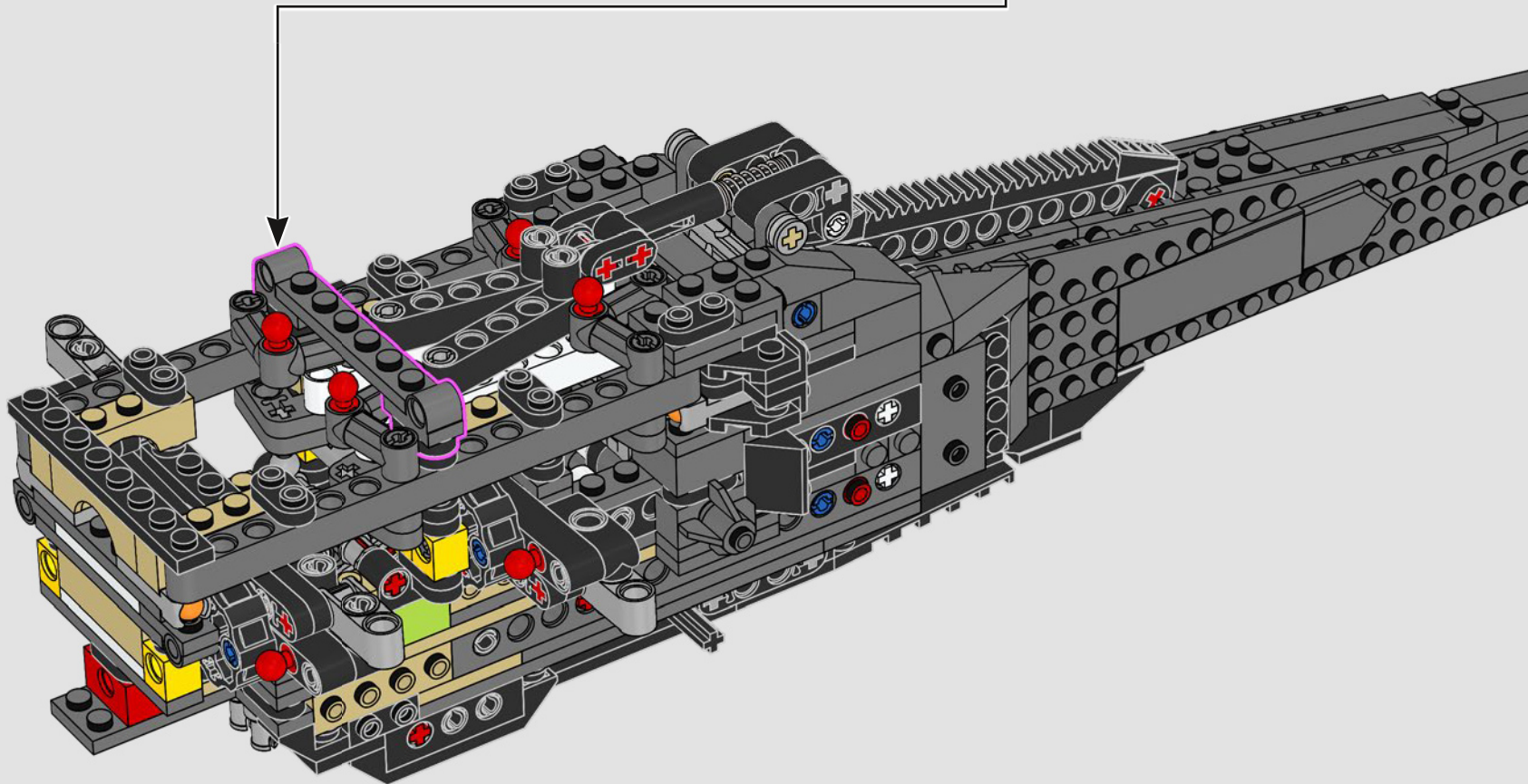
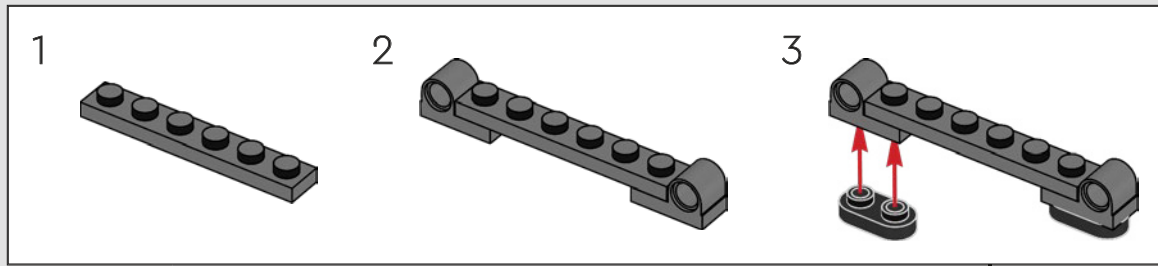


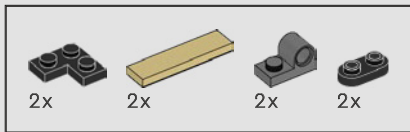
3



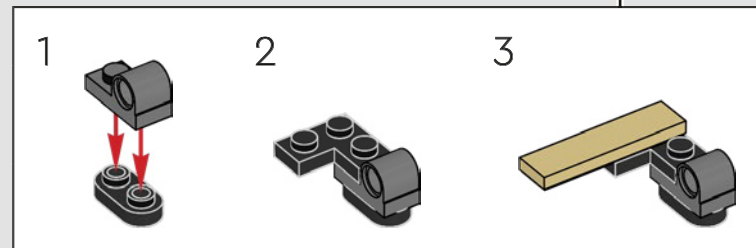
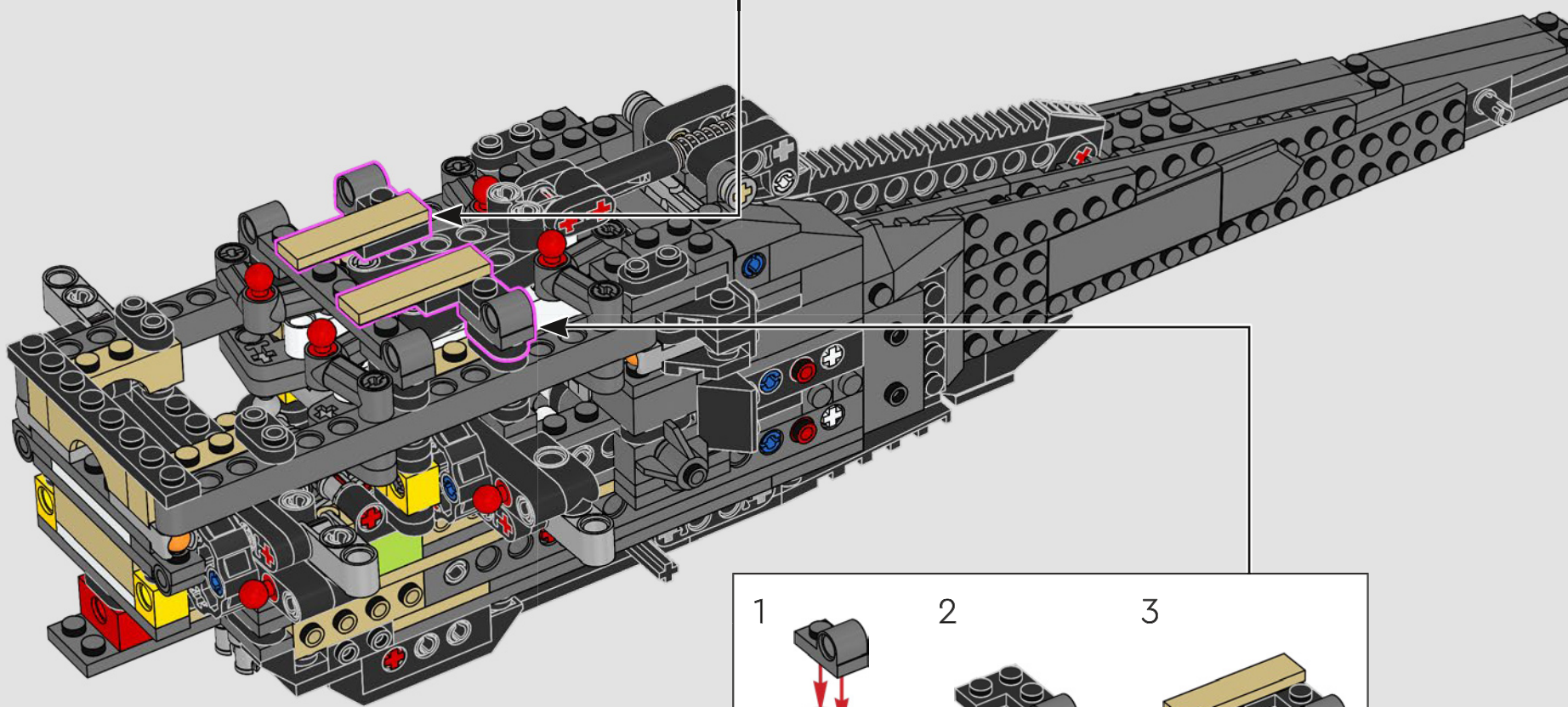
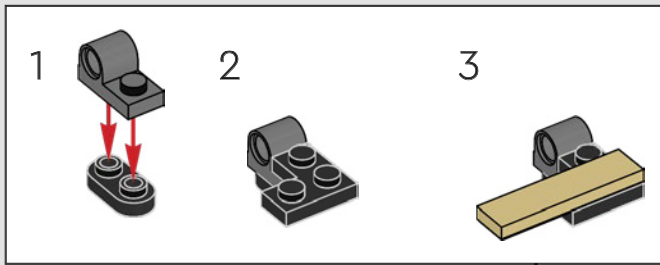


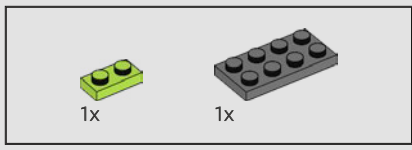
158



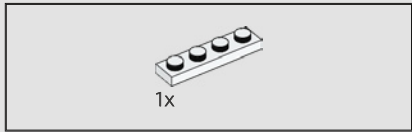
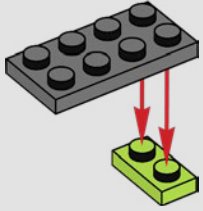


159

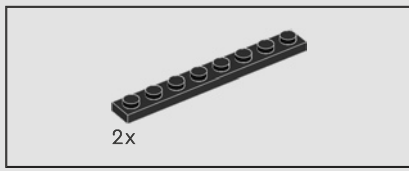
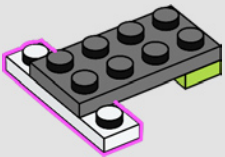




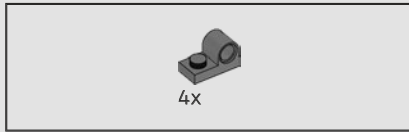
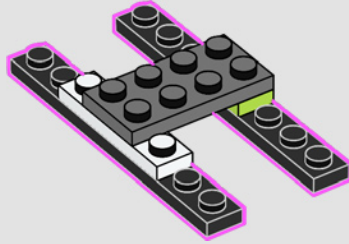
160



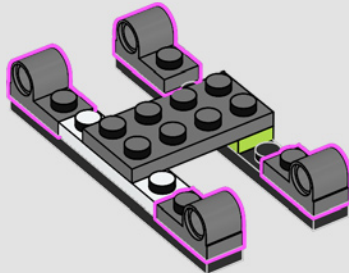
161



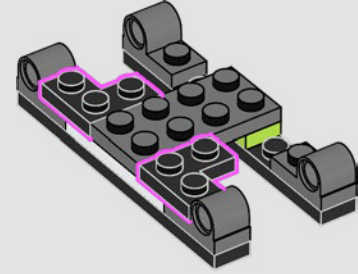
162



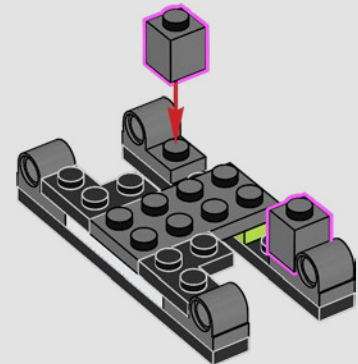
163

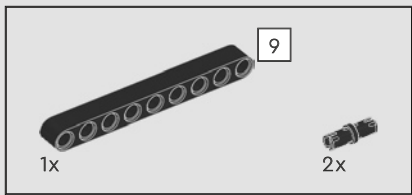


164

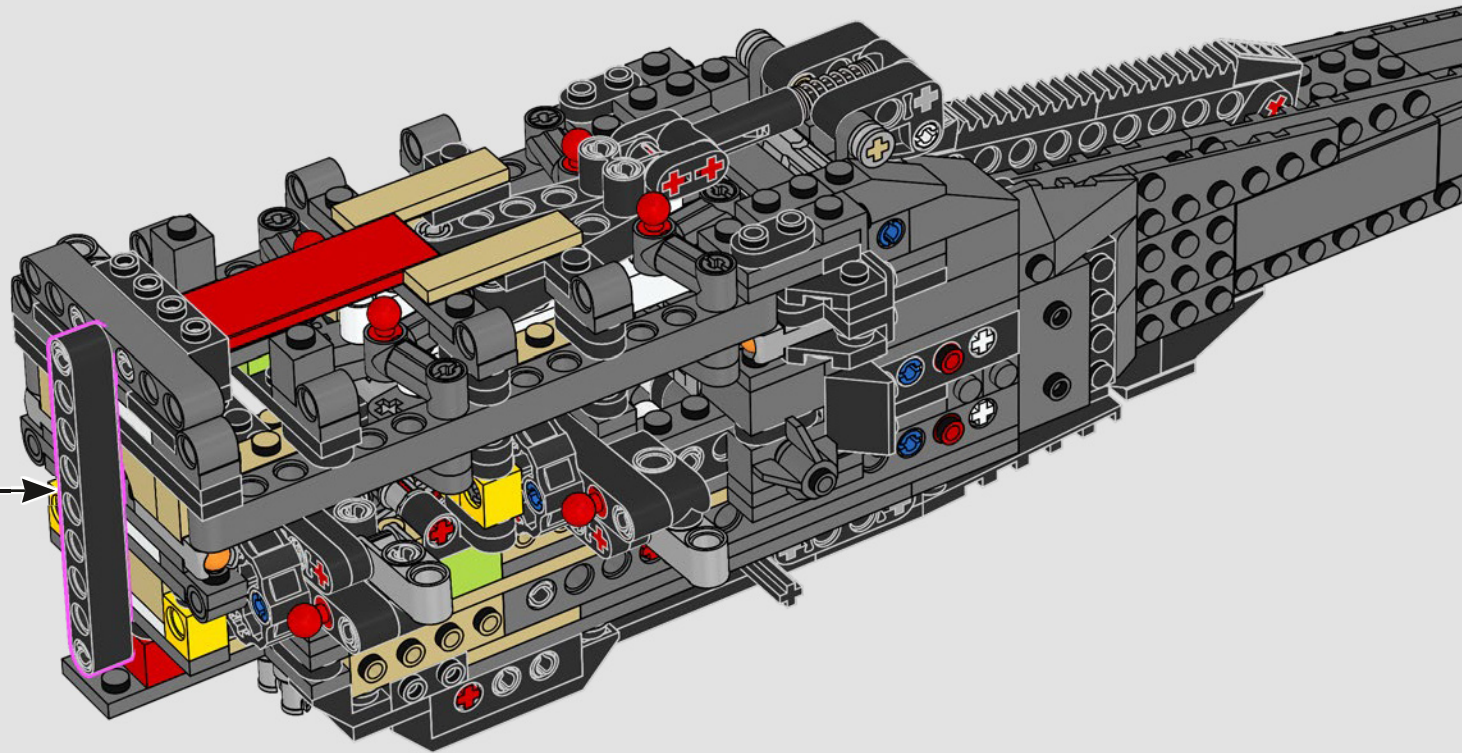
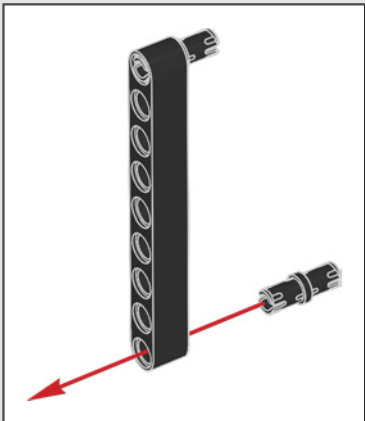


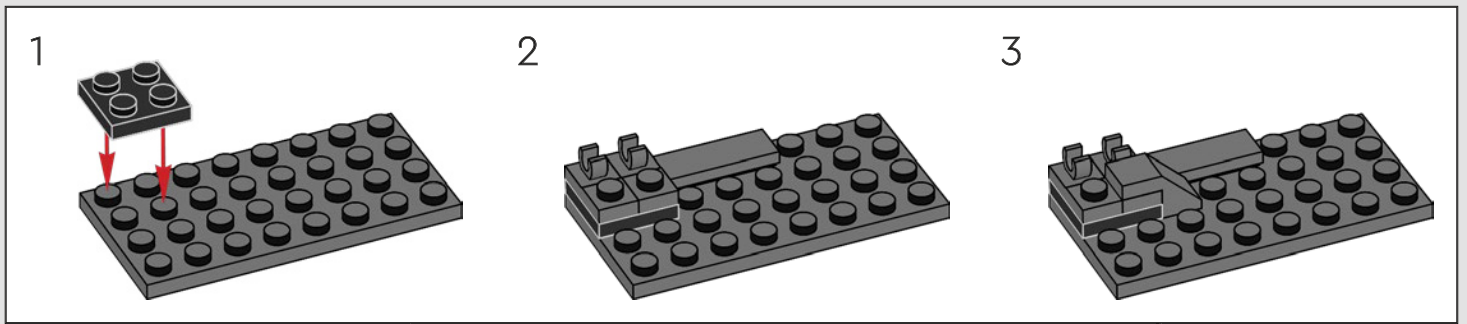
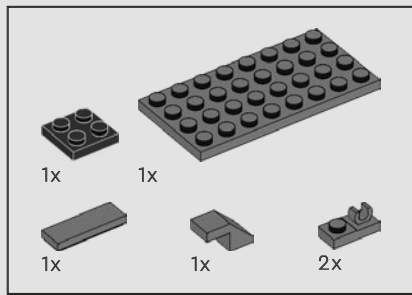
165



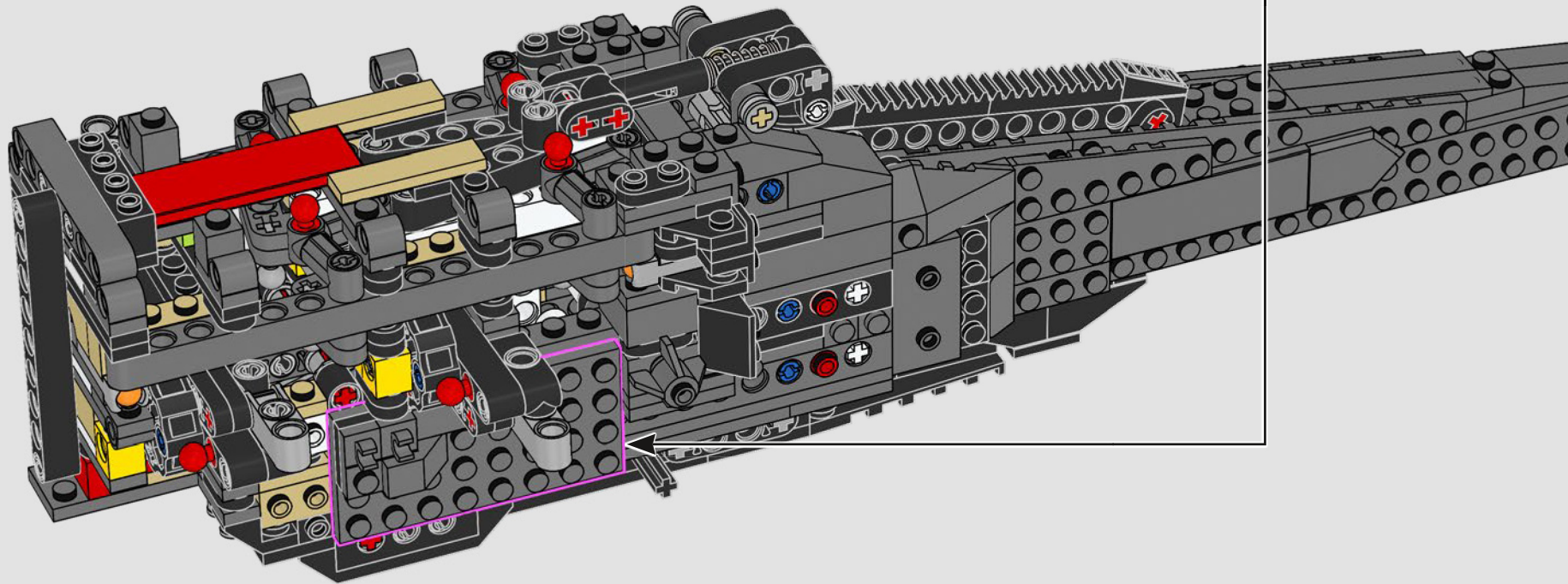


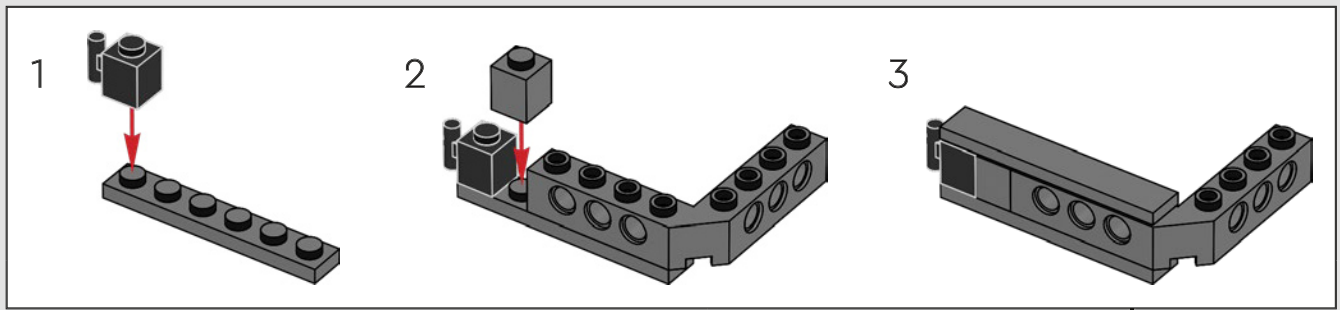
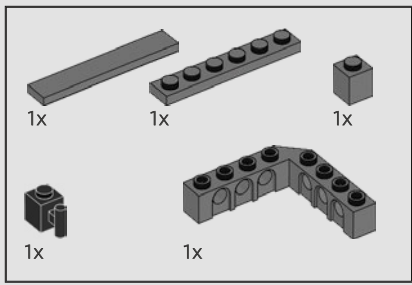
169



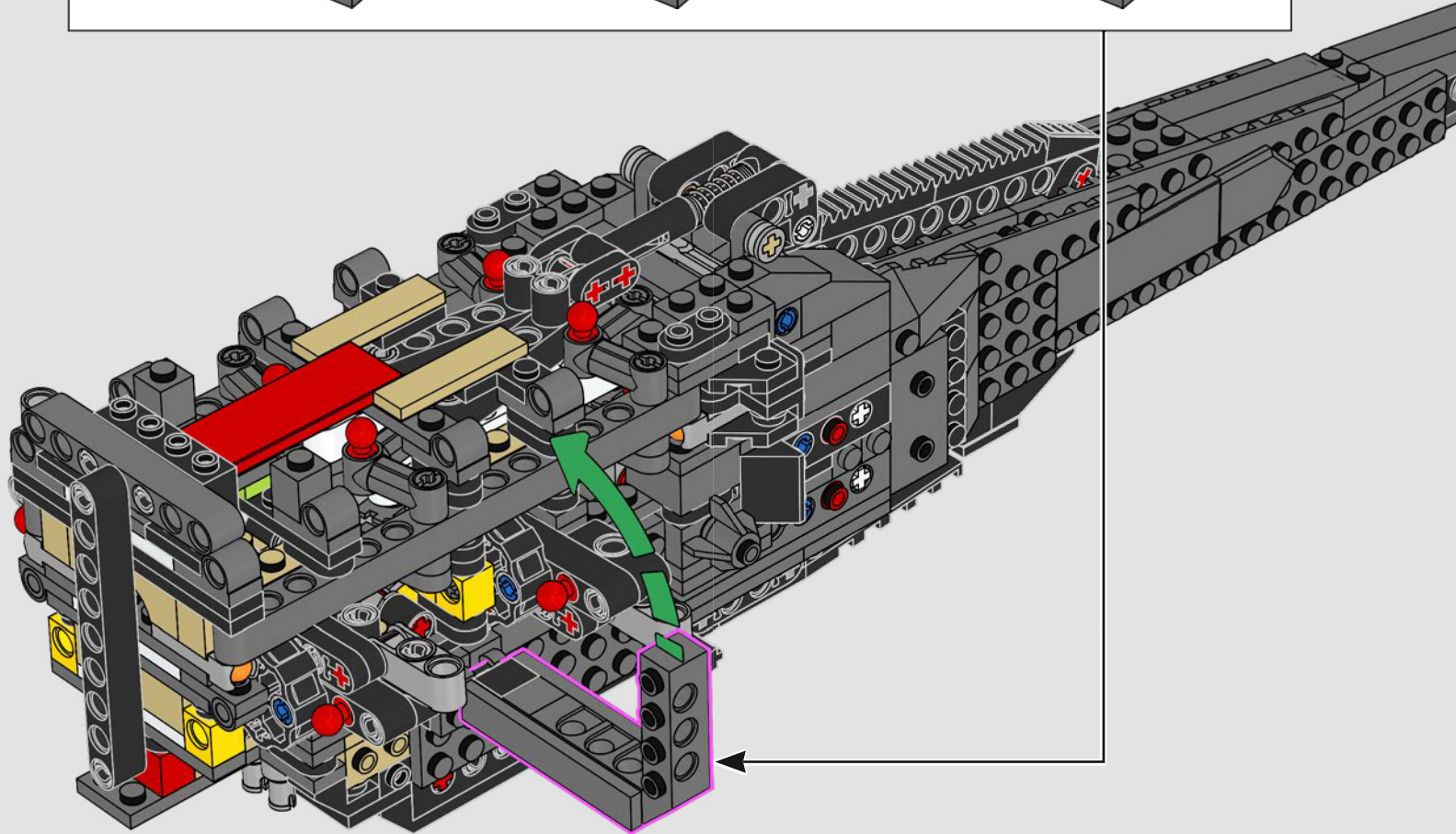


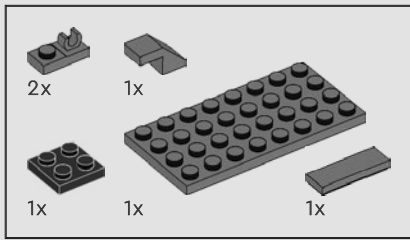
170



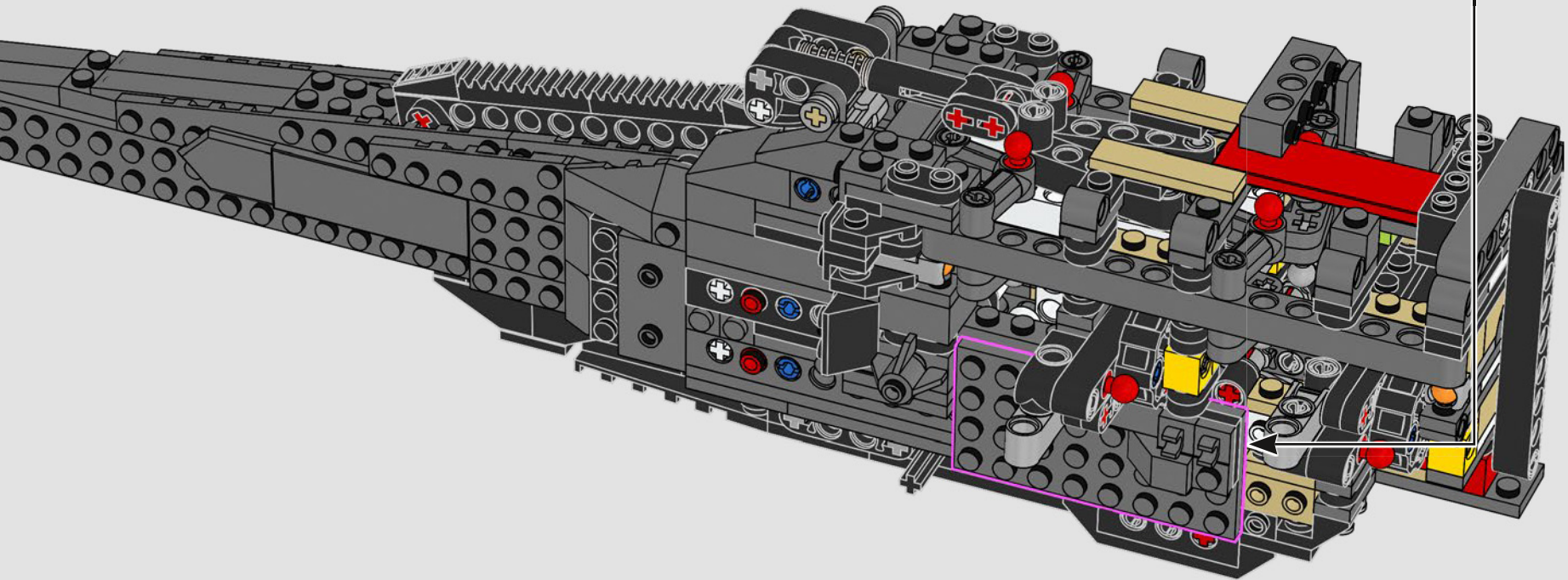
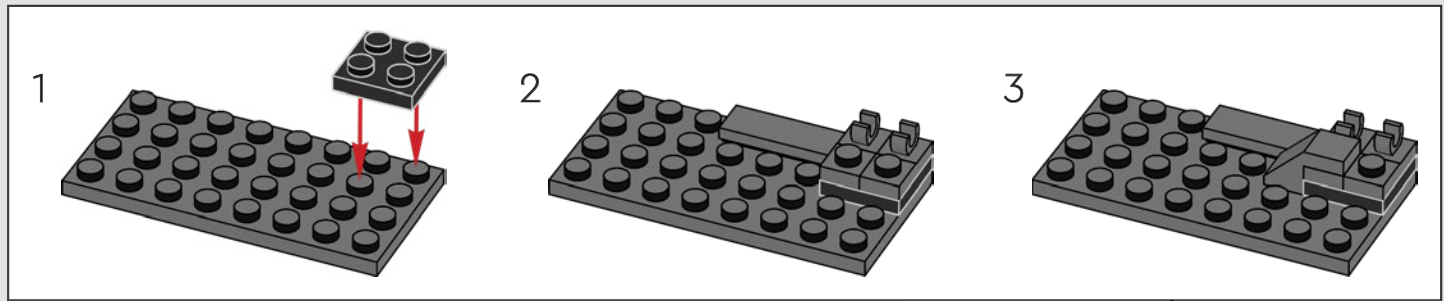


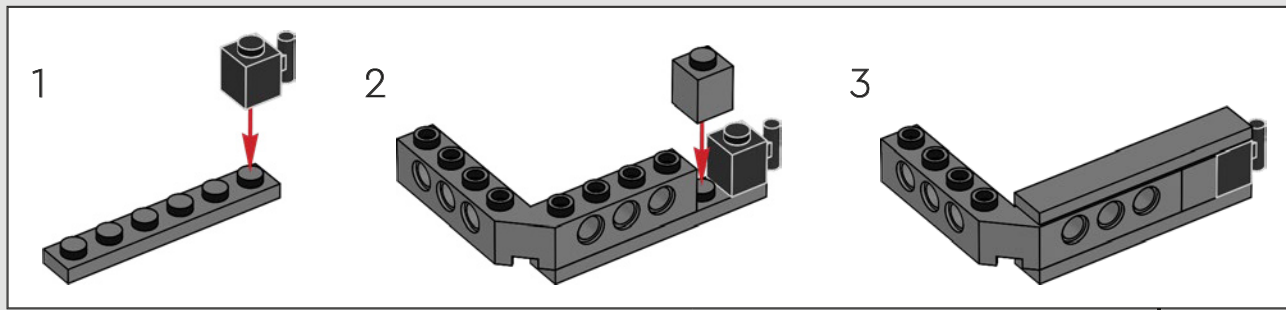
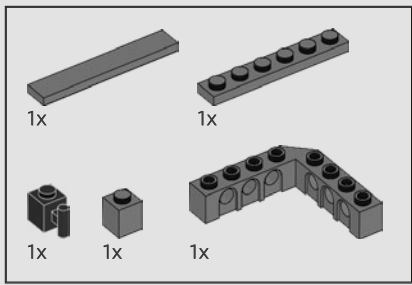
171



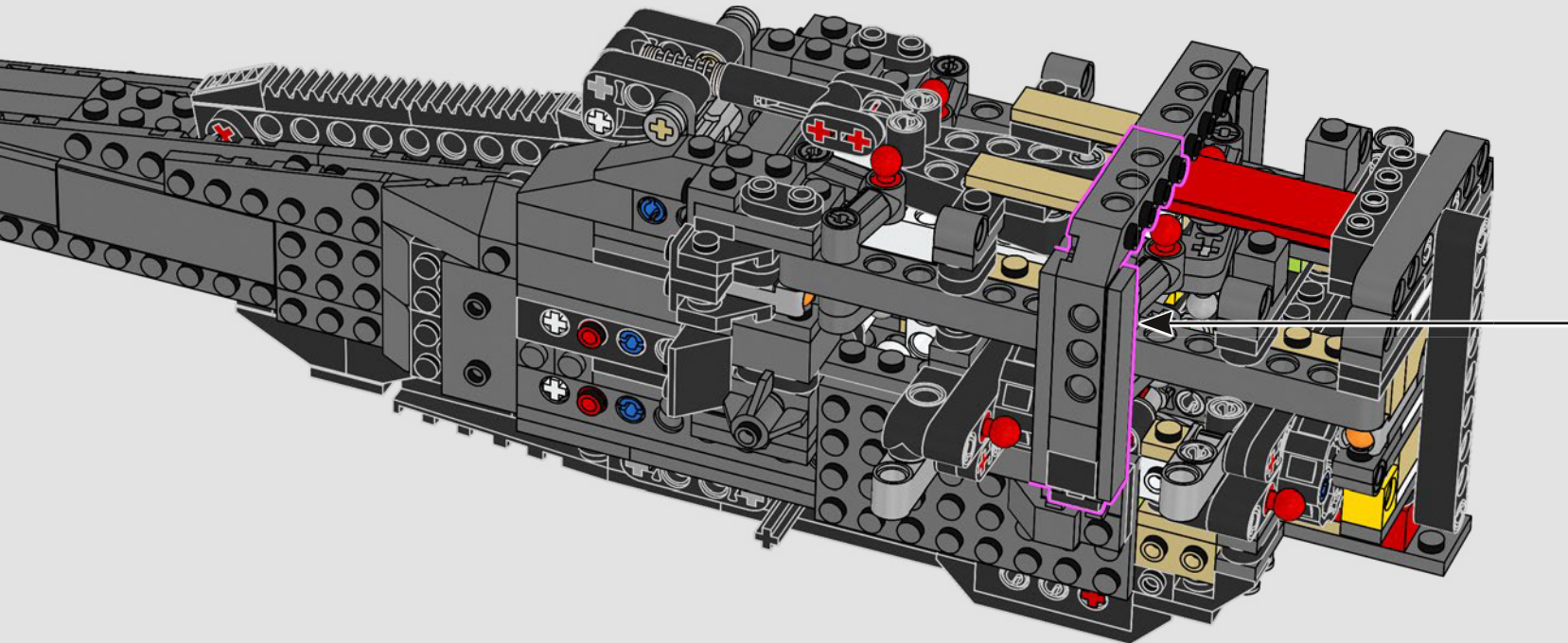


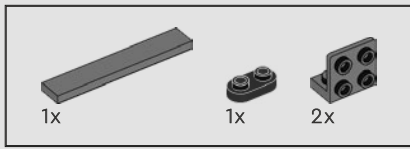
172



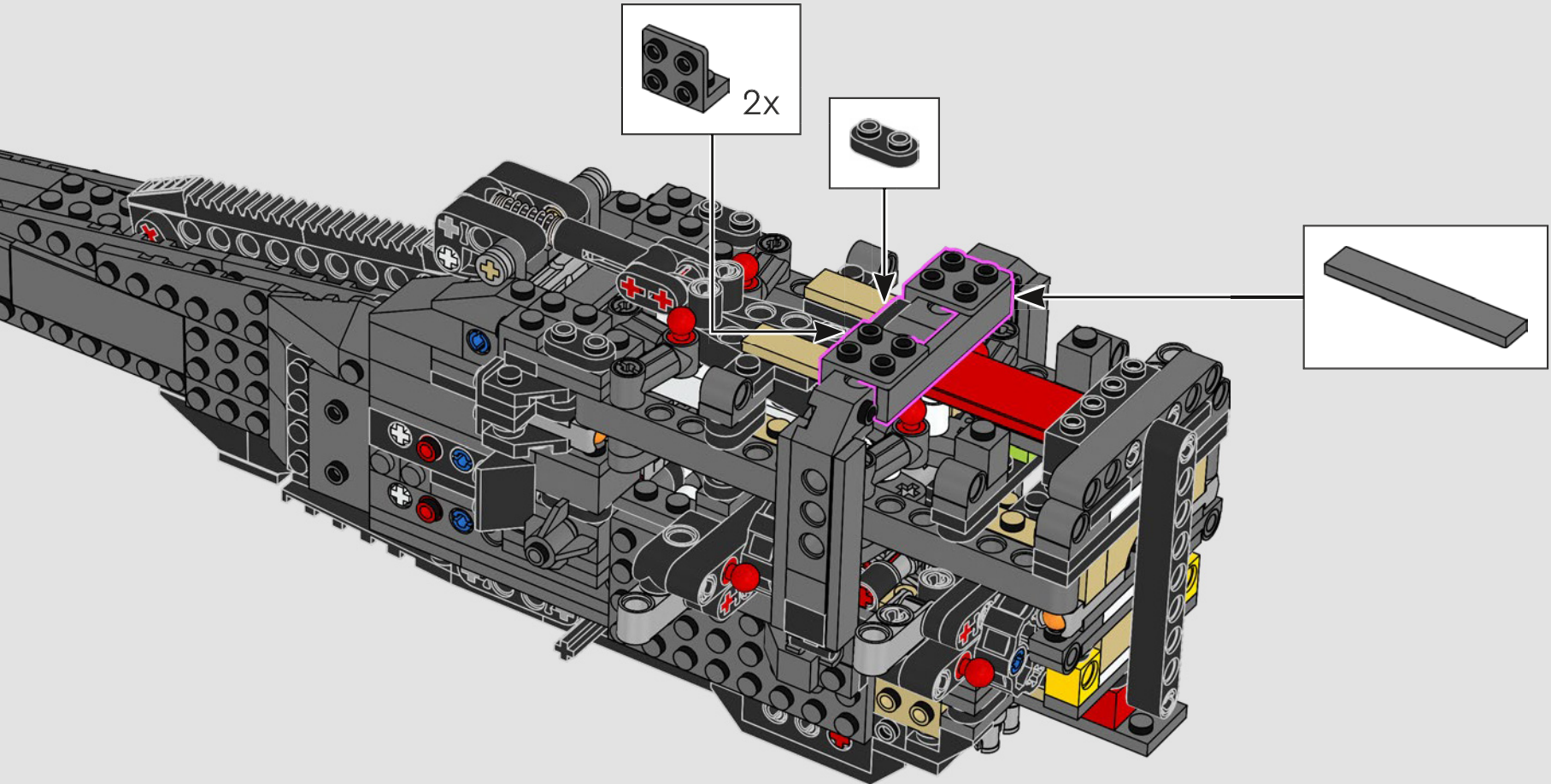


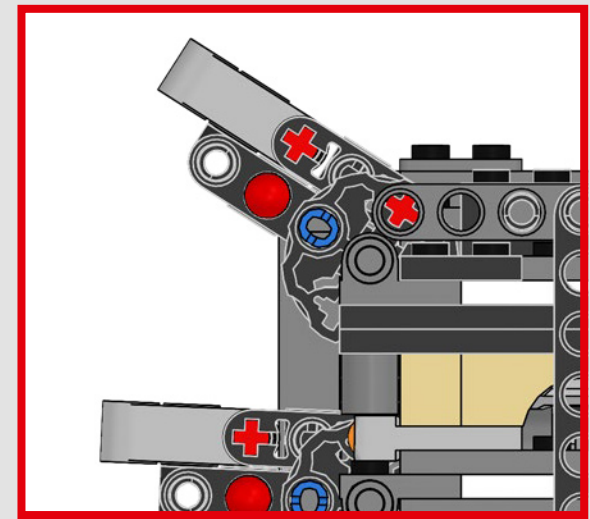
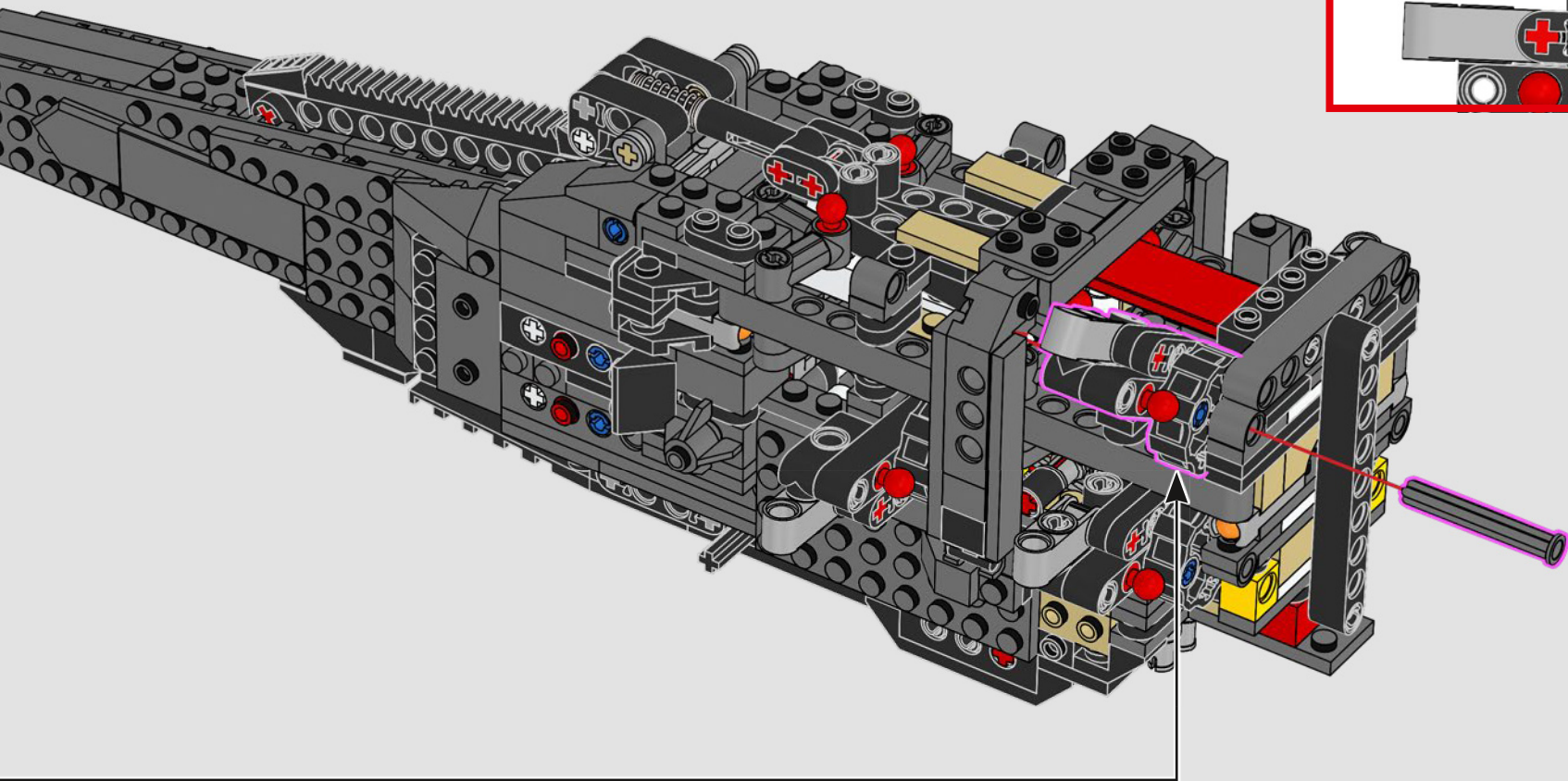
173

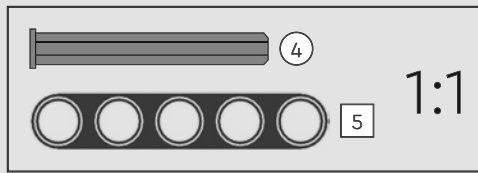
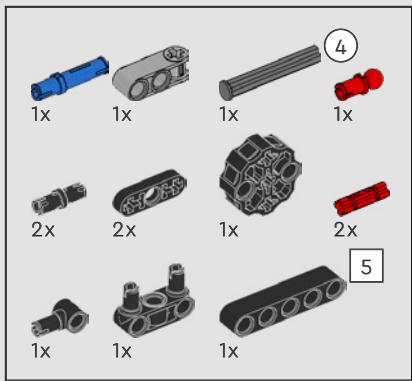




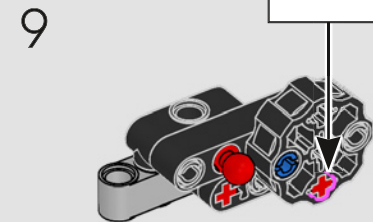
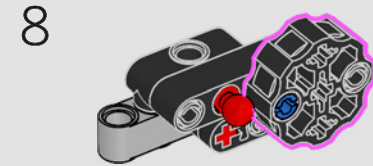
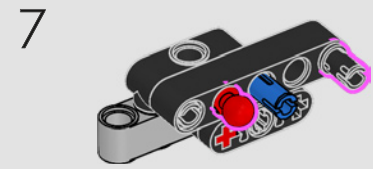
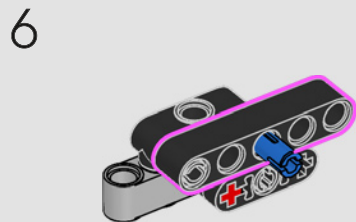
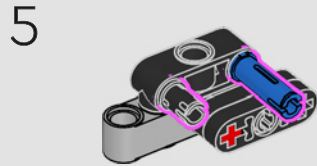
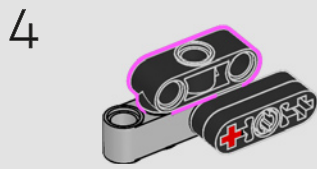
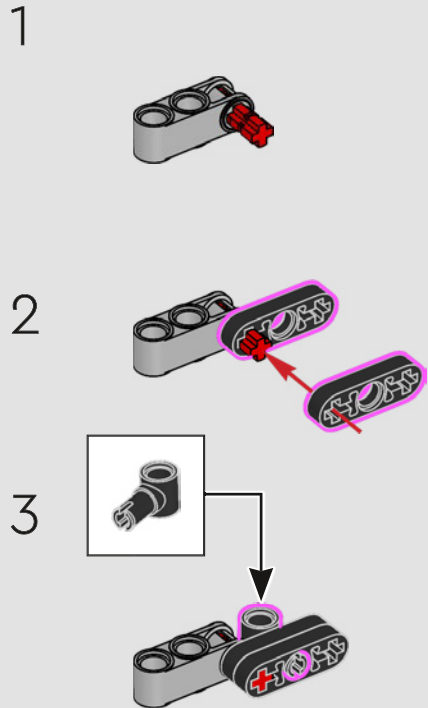
174

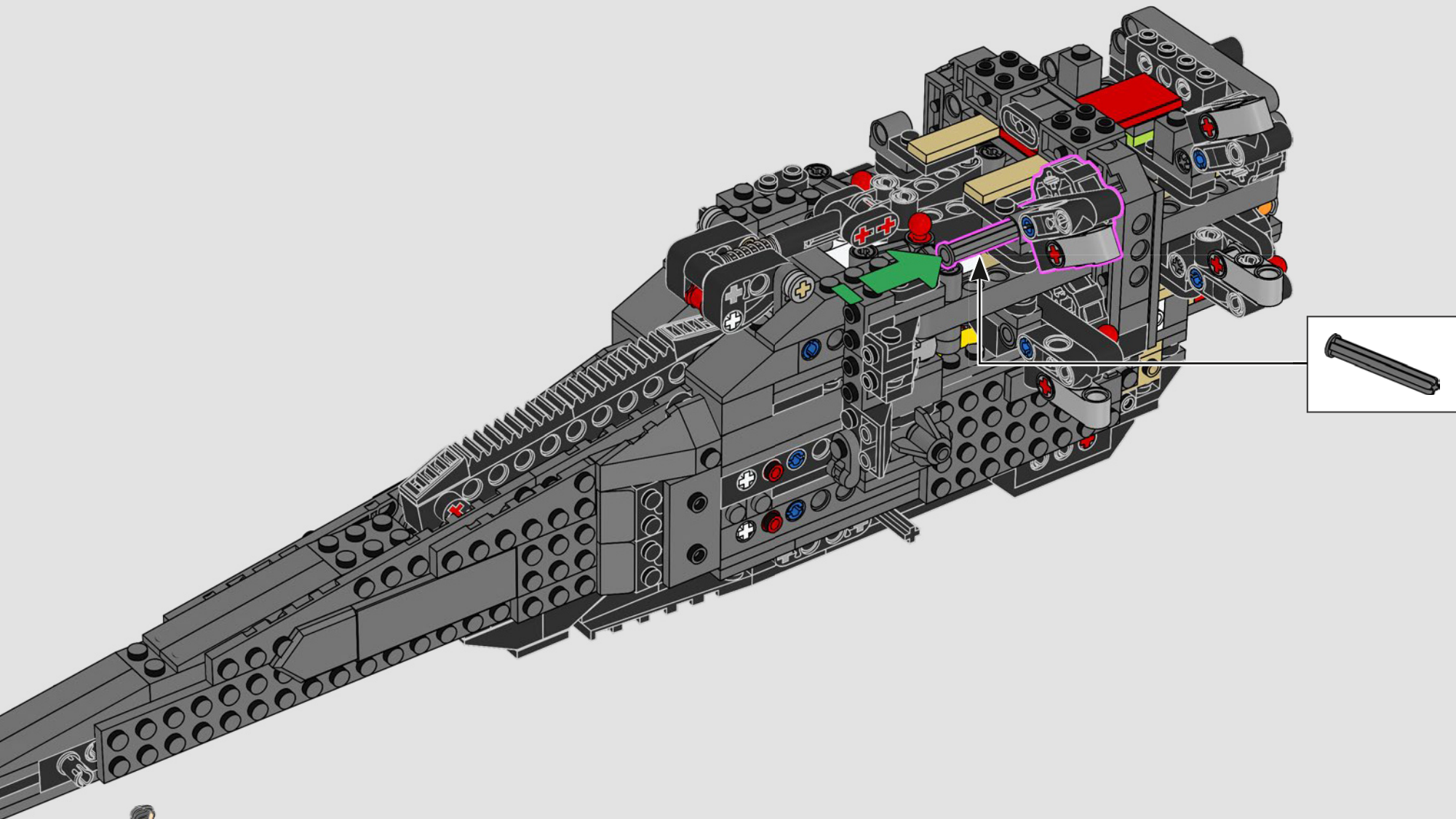


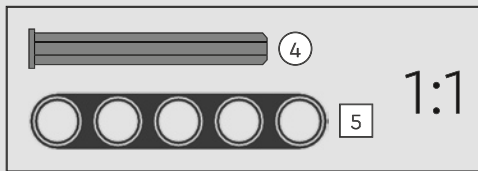
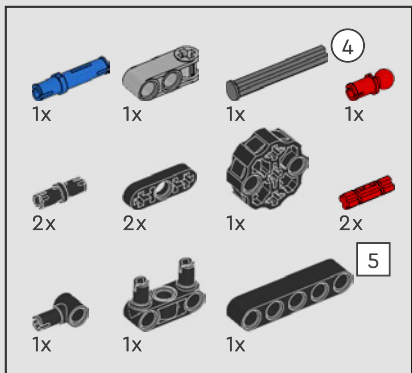




176

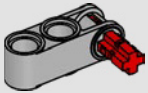




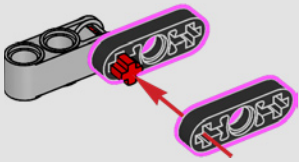


177

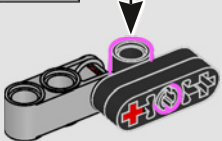
1



2



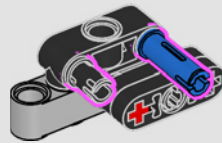
3



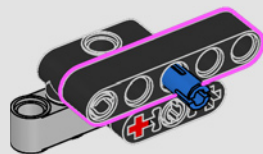
4



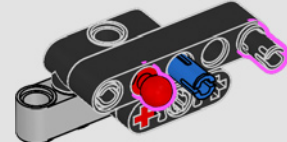
5



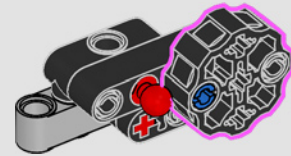
6



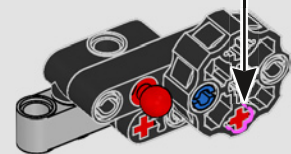
7

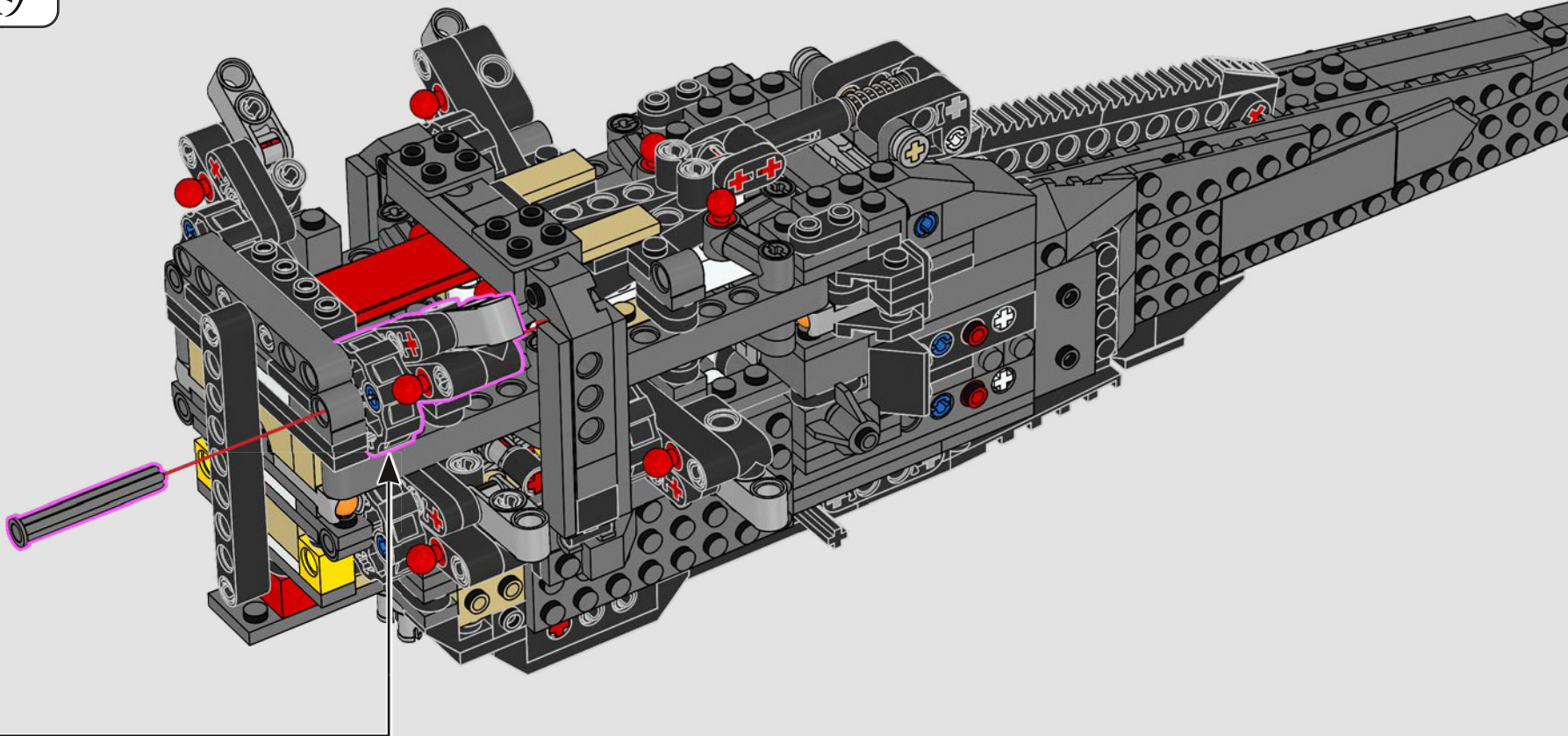


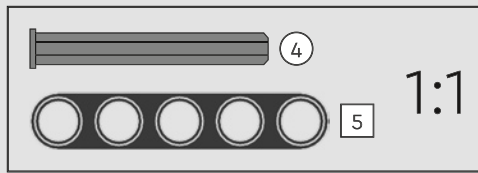
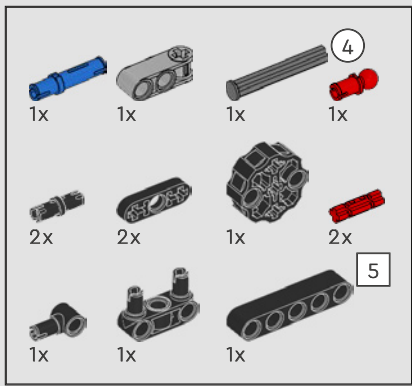
8



9

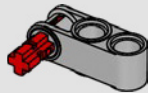




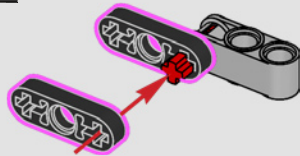


178

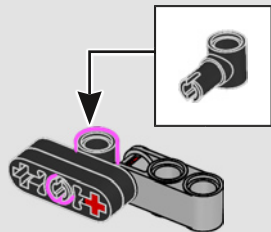
1



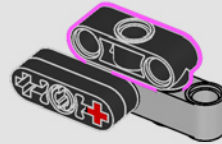
2



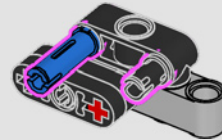
3



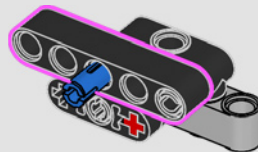
4



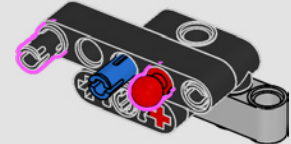
5



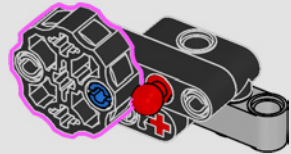
6



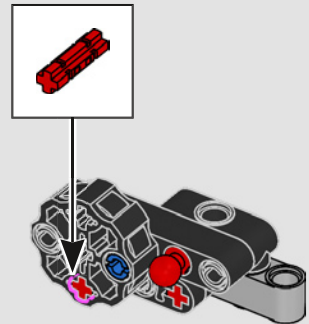
7

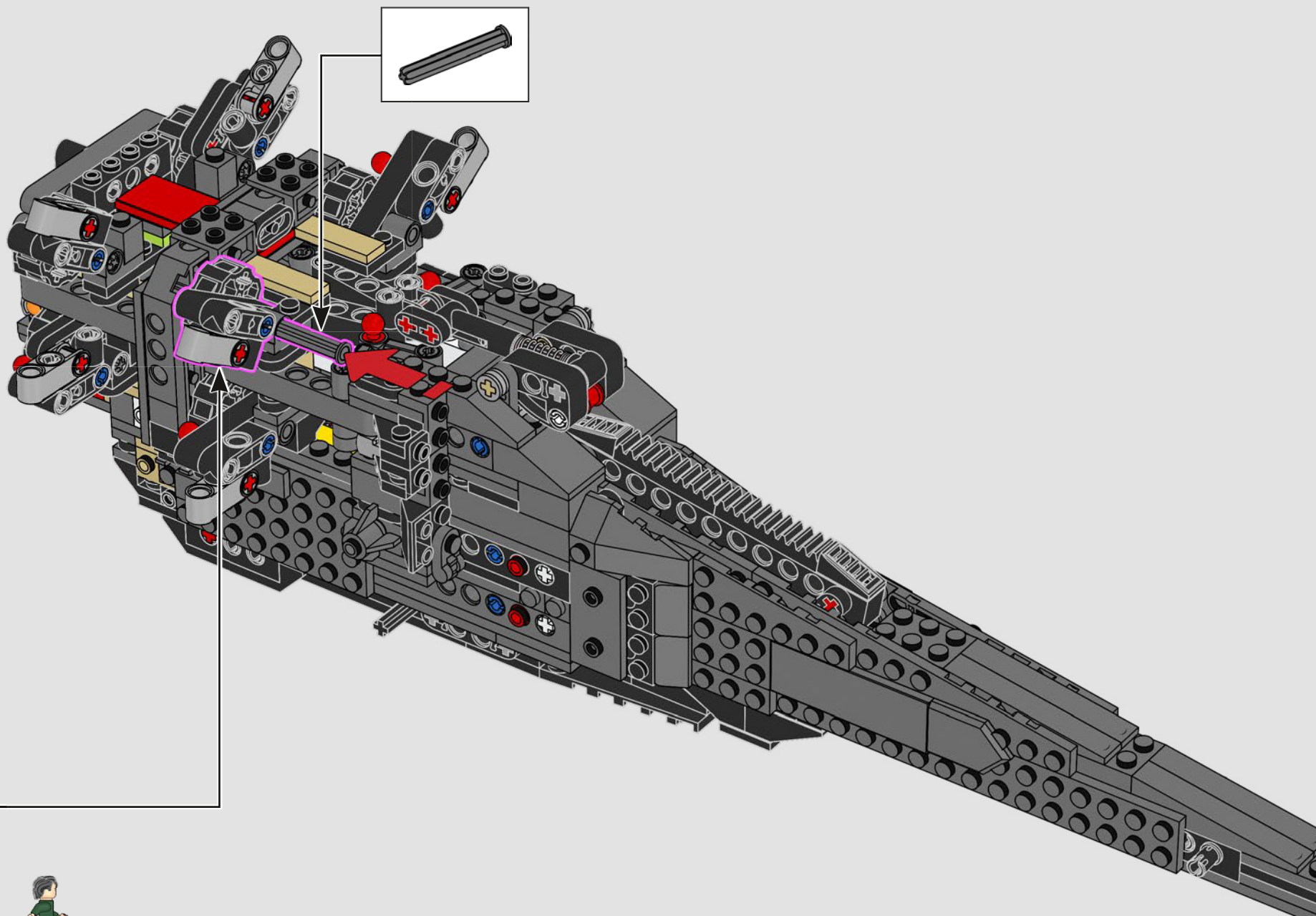


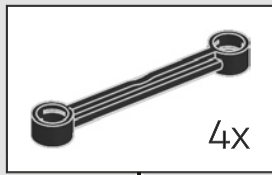
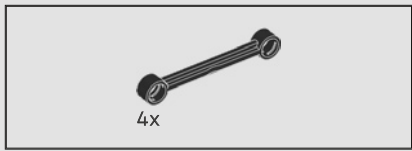
8



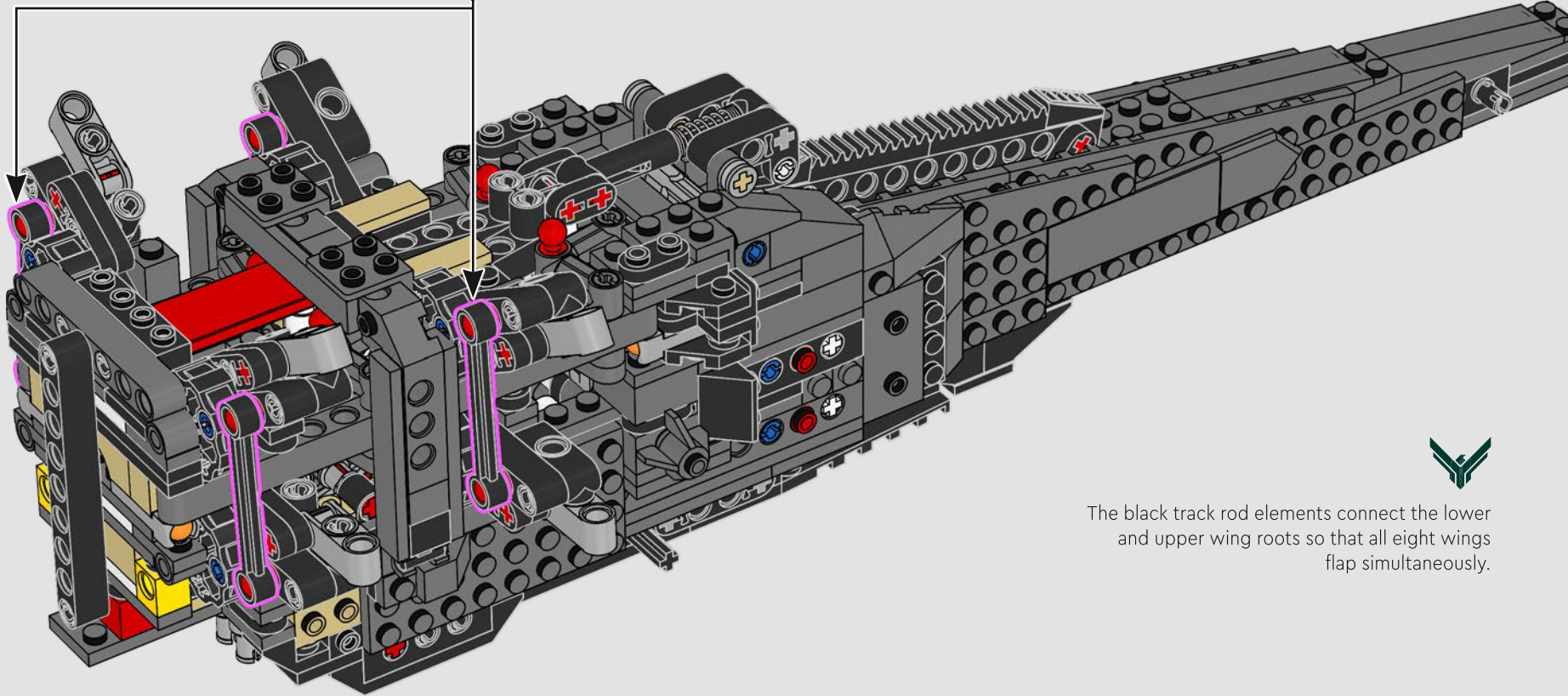
9



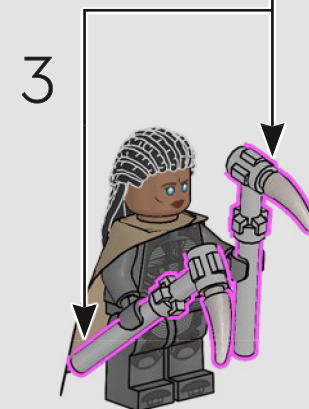
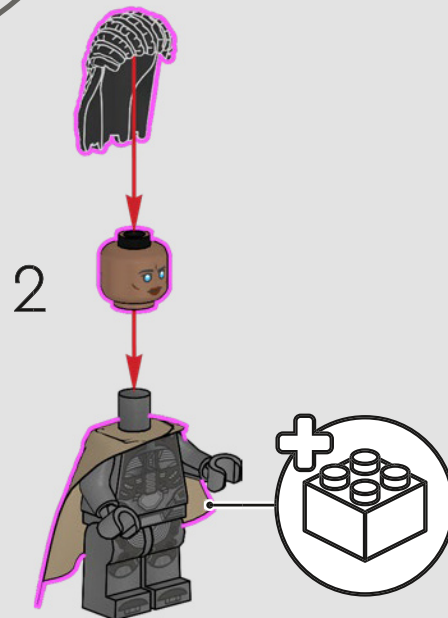
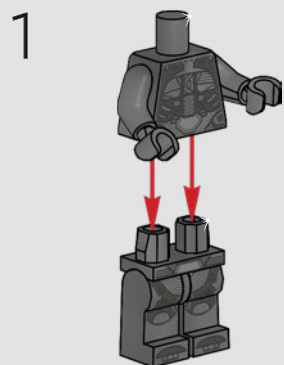
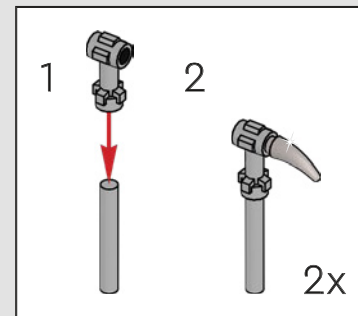
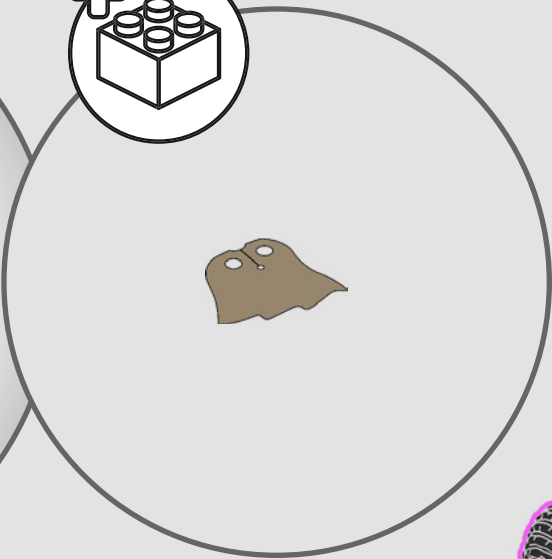
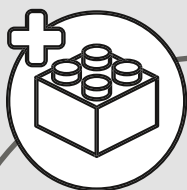




179



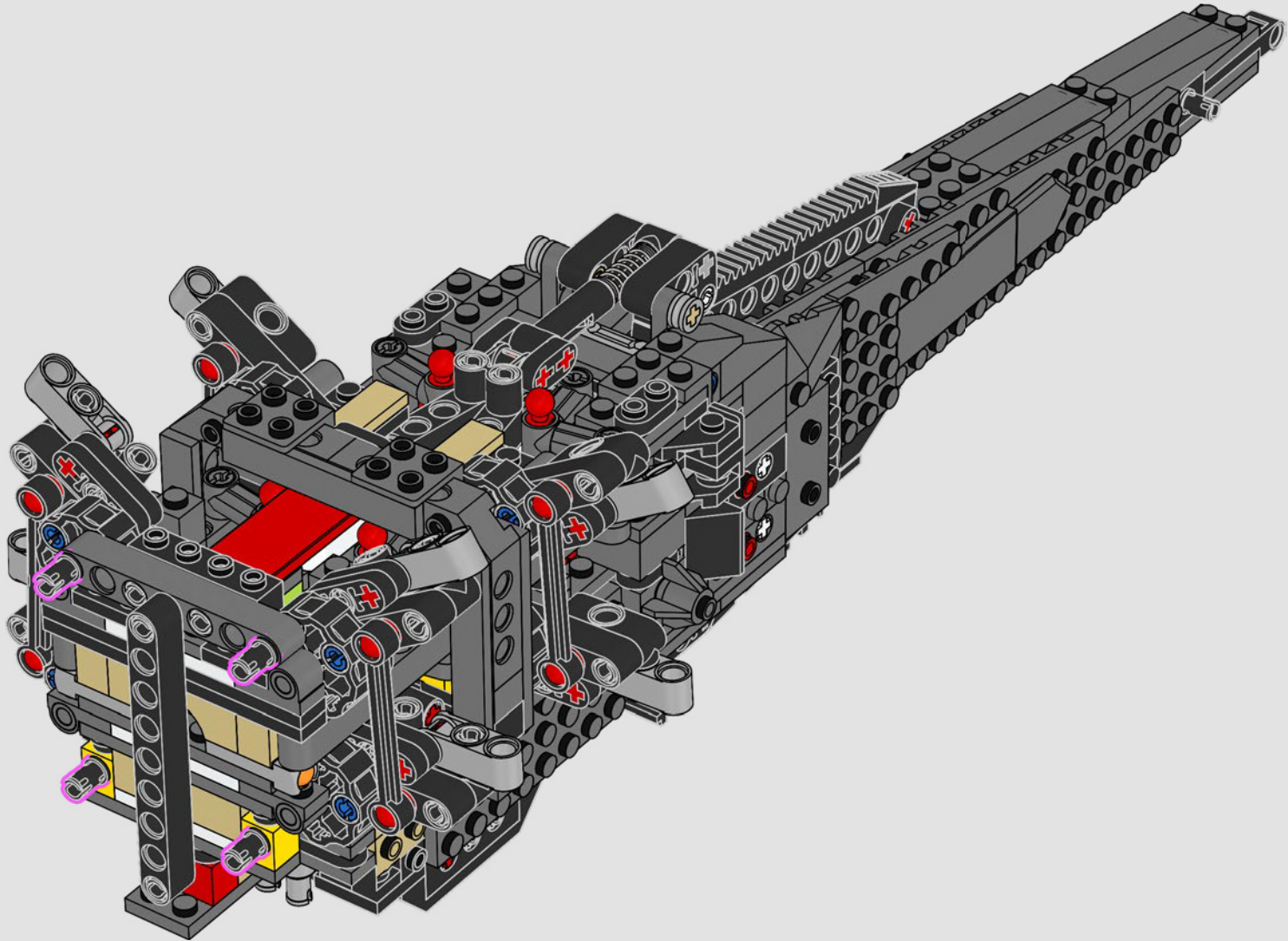
The black track rod elements connect the lower and upper wing roots so that all eight wings flap simultaneously.

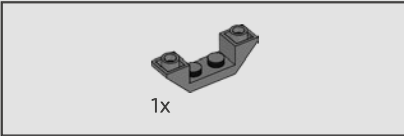
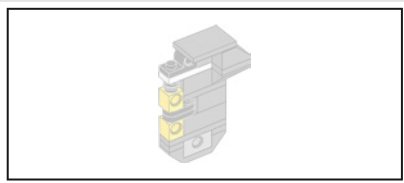




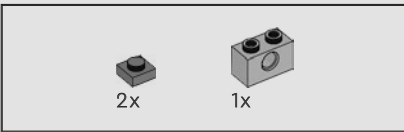
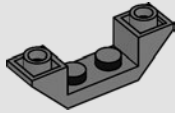
4x

180

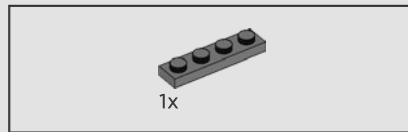
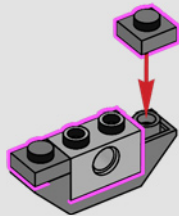




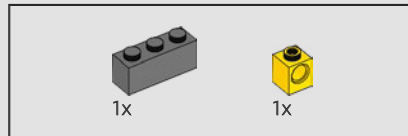
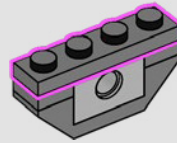
181



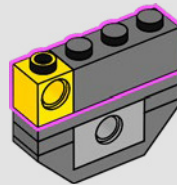
182



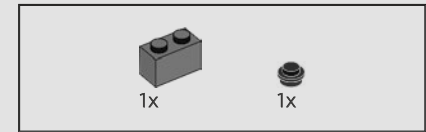
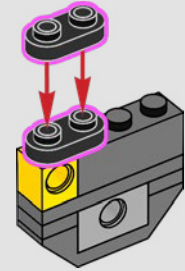
183



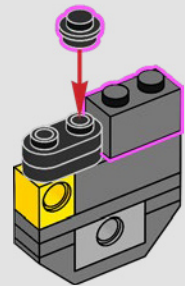
184



185

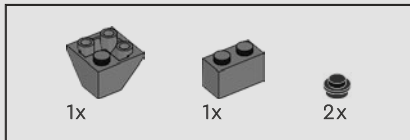
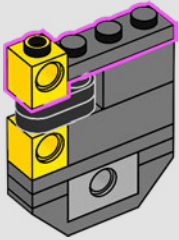


186

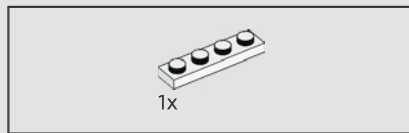
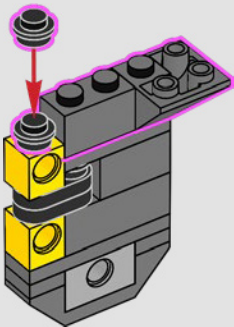




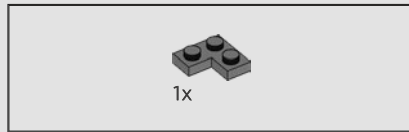
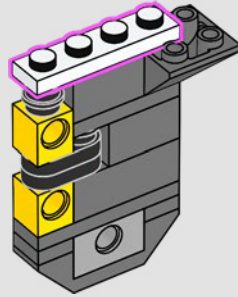
187



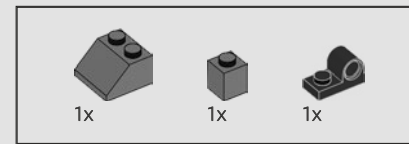
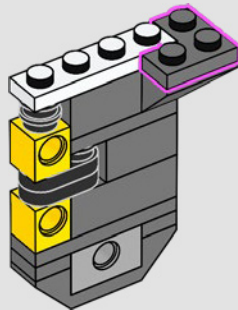
188



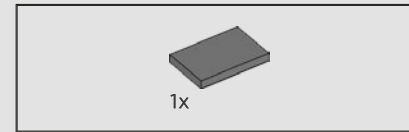
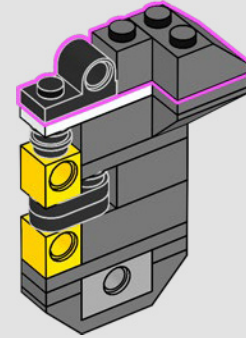
189



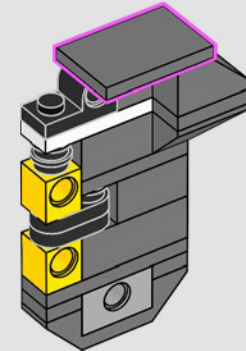
190



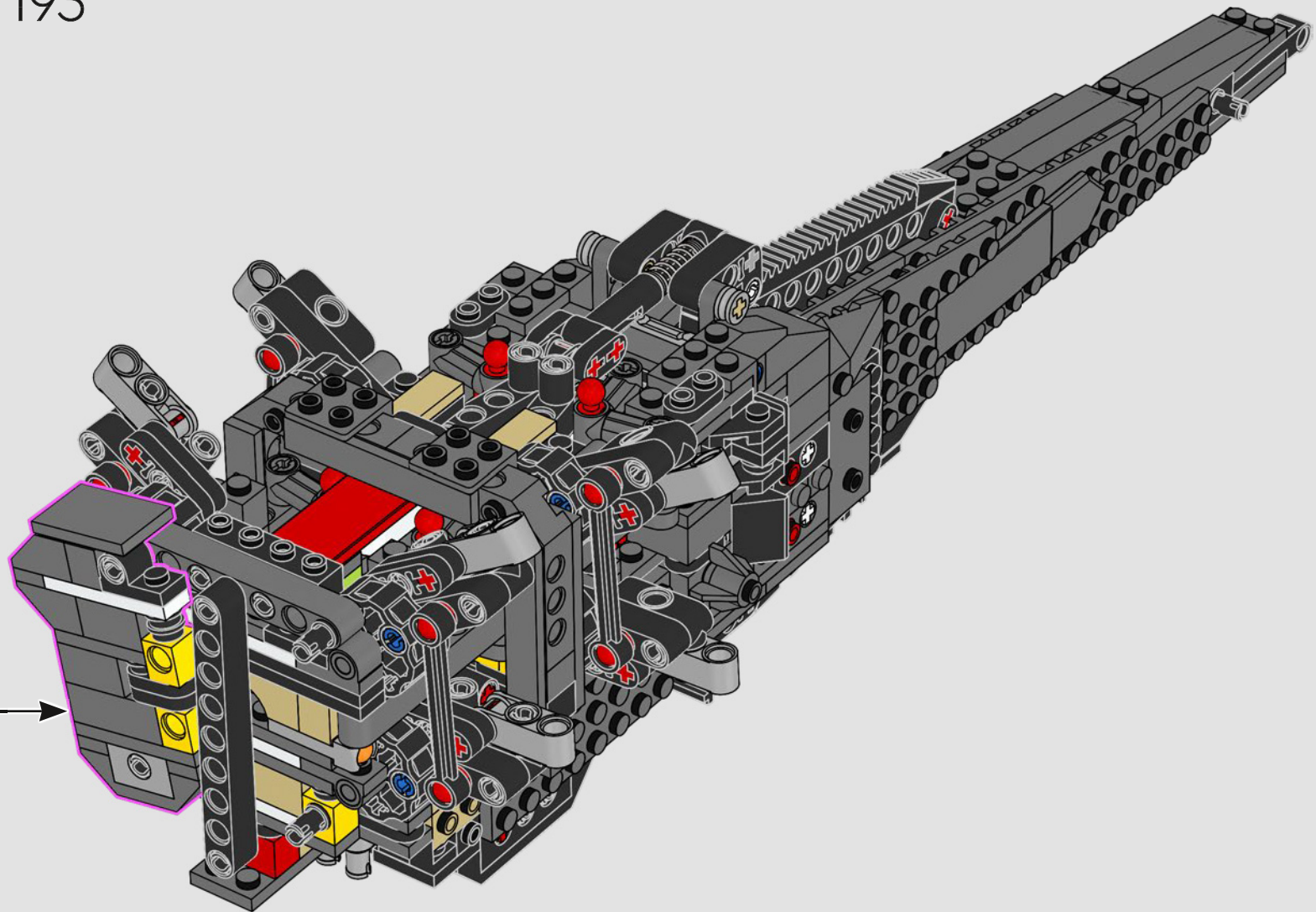
191

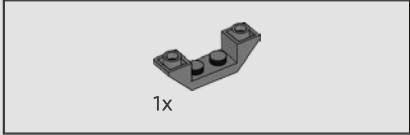
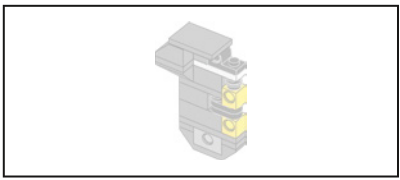


192

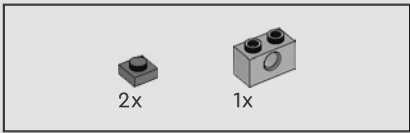
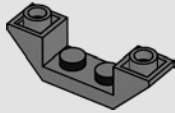


193

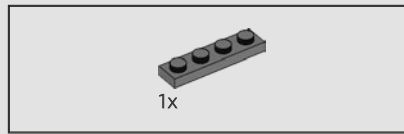
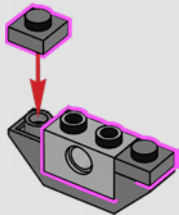




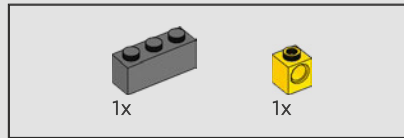
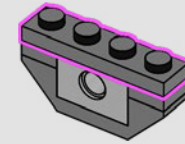
194



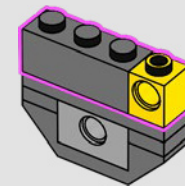
195



196

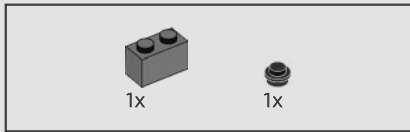
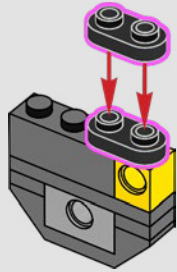


197

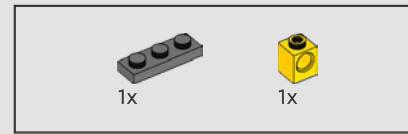
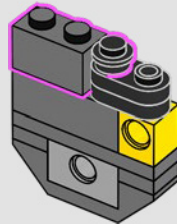




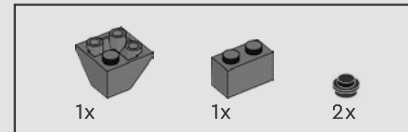
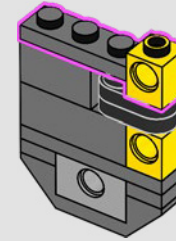
198



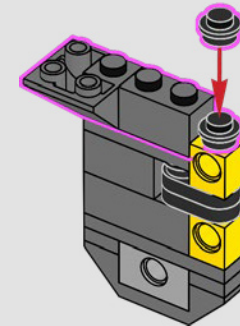
199

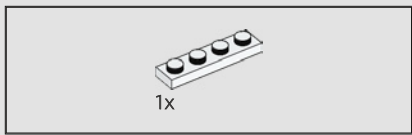


200

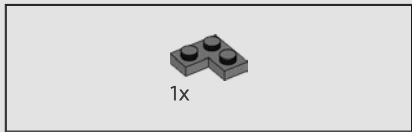
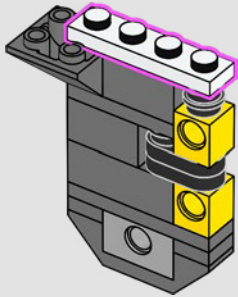


201

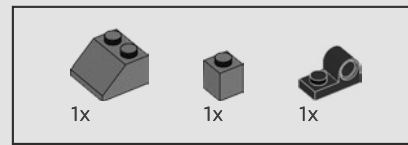
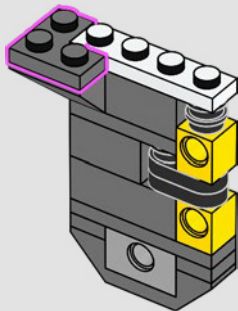




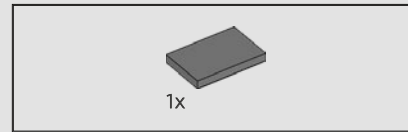
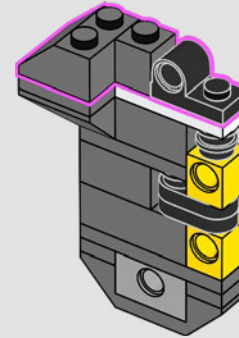
202



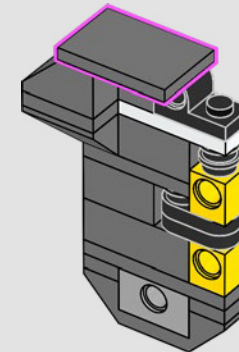
203



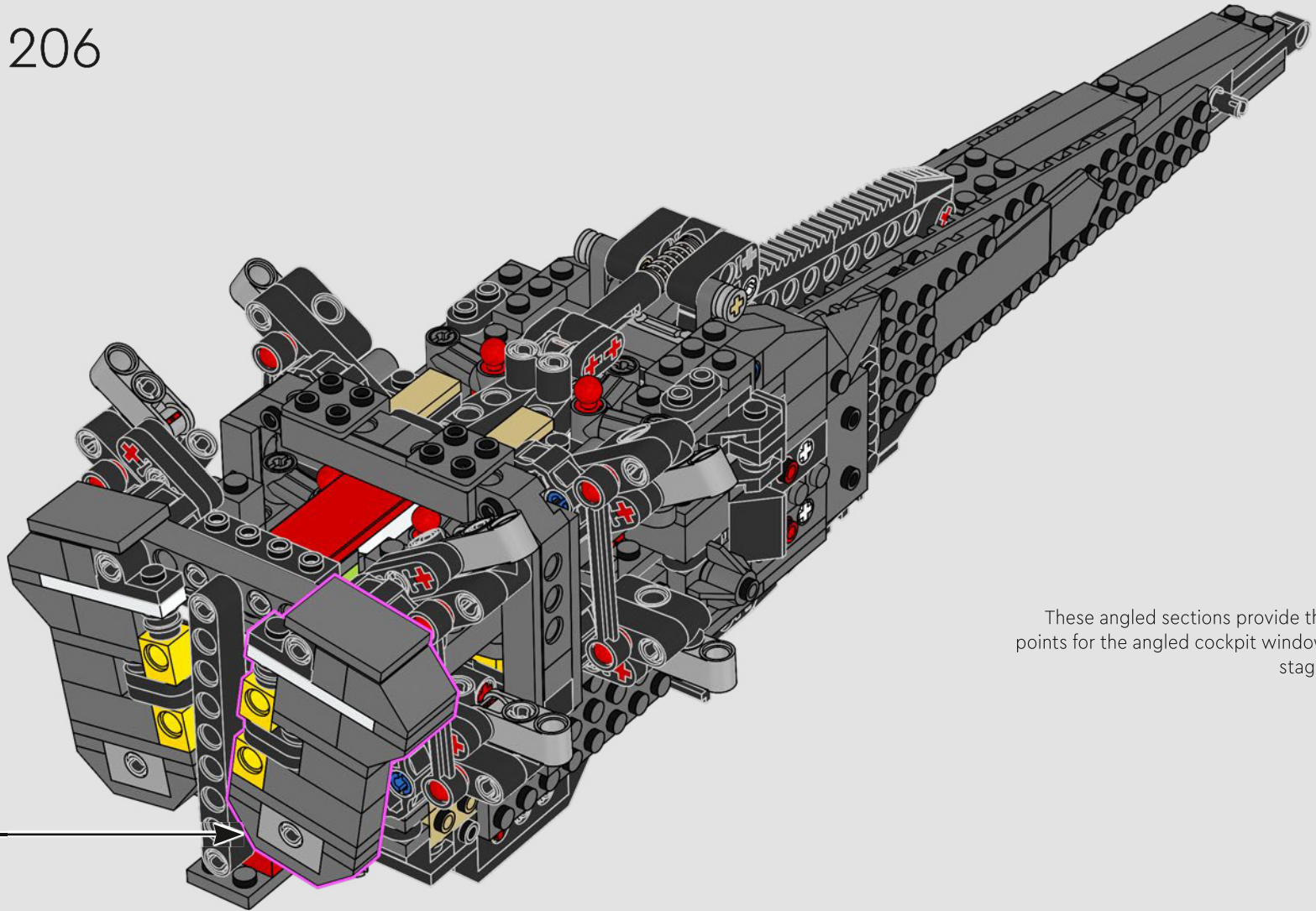
204



205

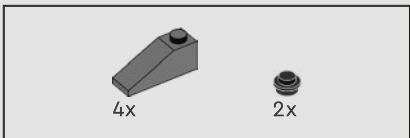


206

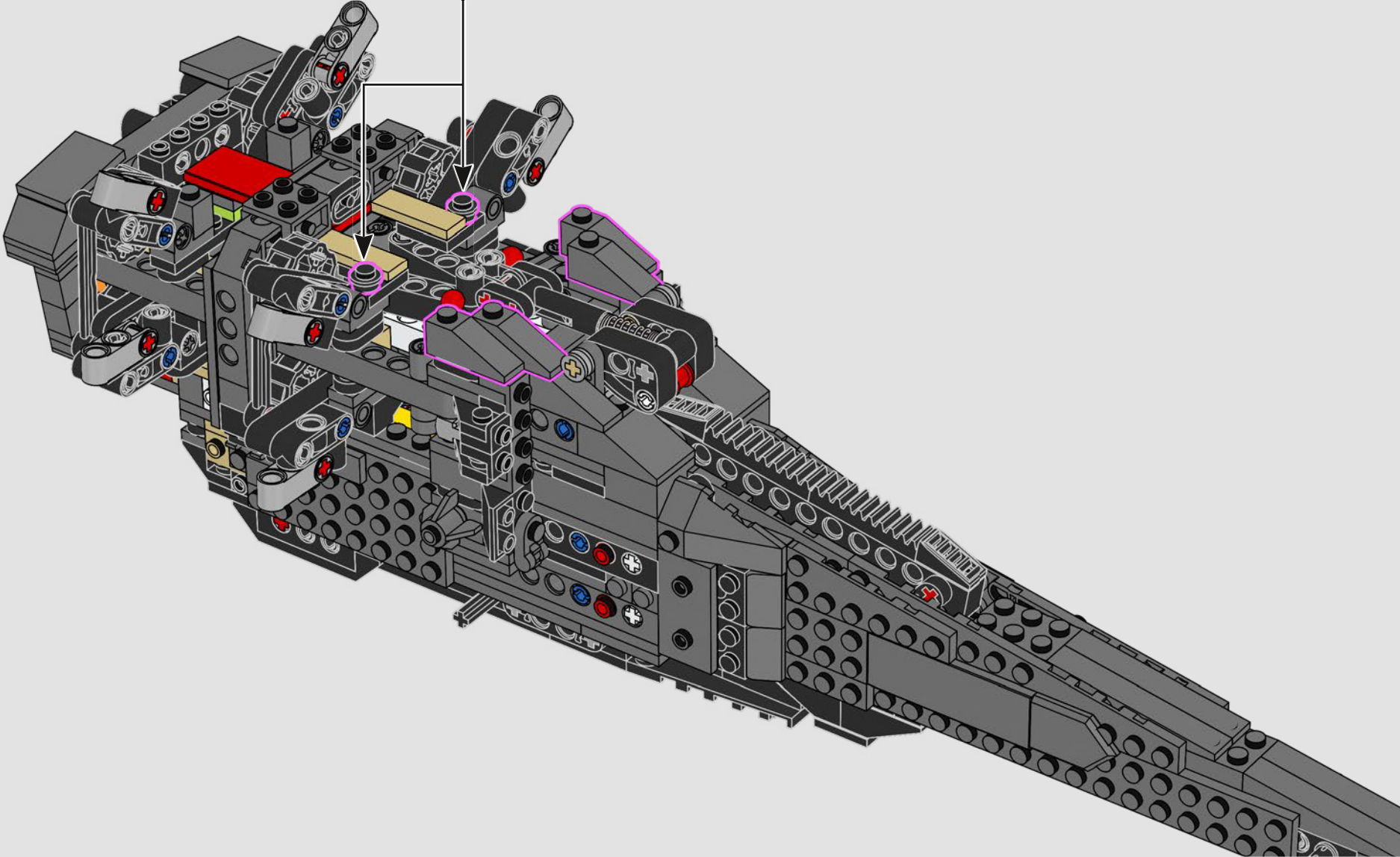


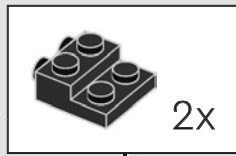
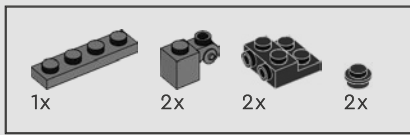
These angled sections provide the connection points for the angled cockpit windows in the next stage of the build.



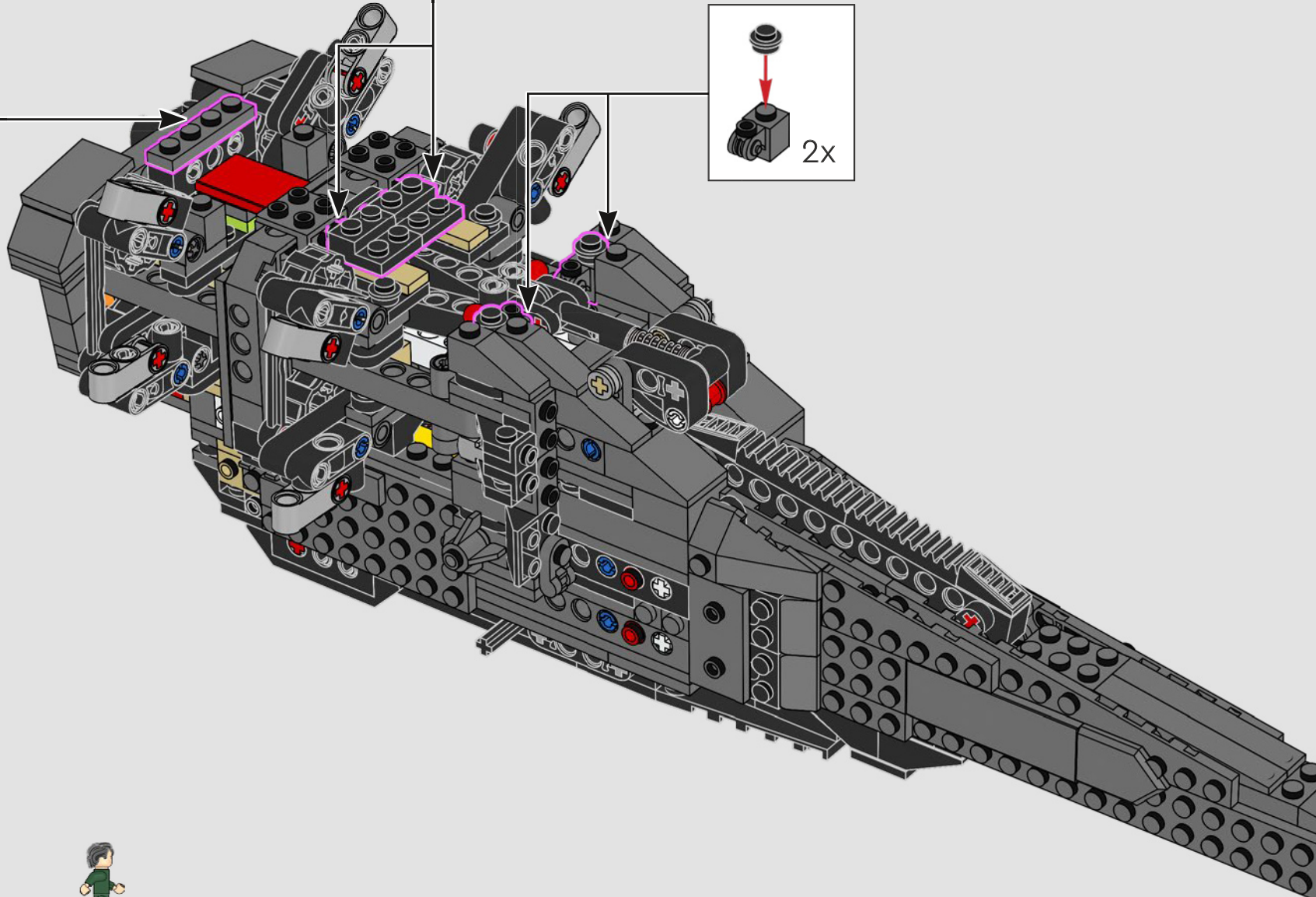
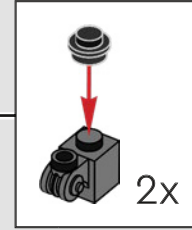
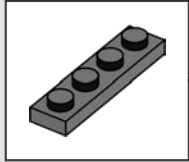


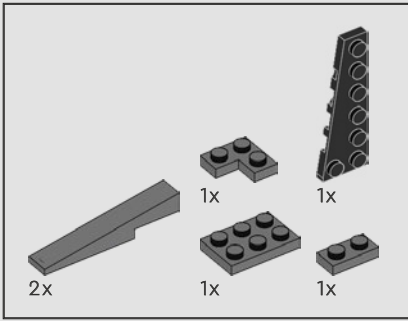
207



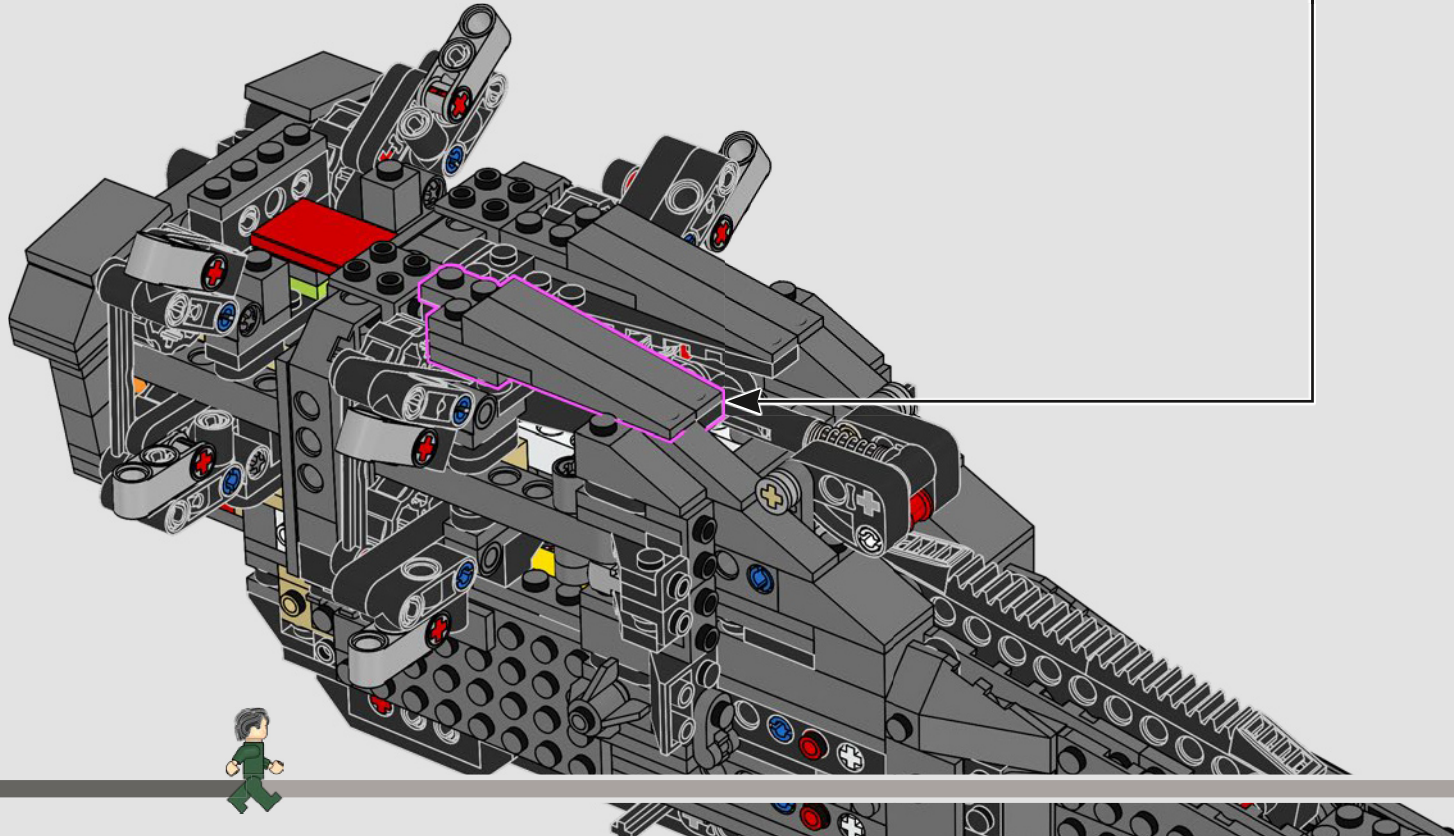
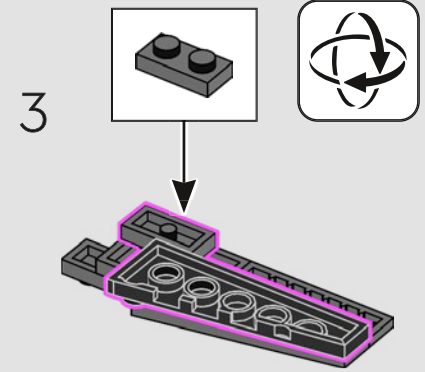
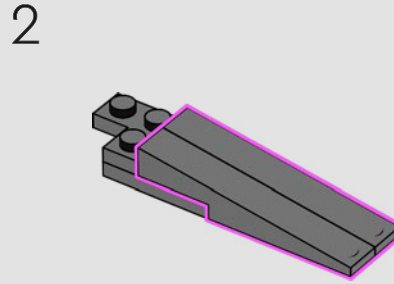
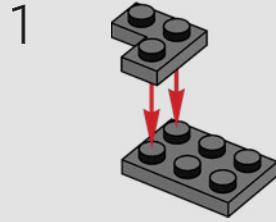


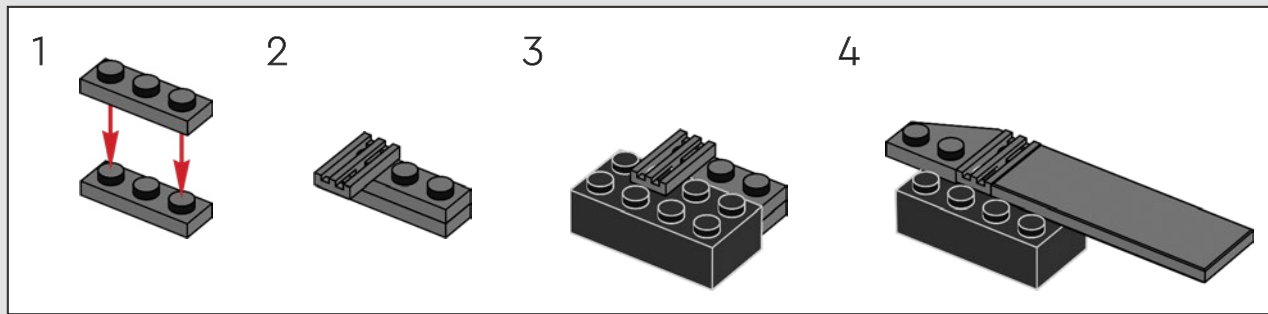
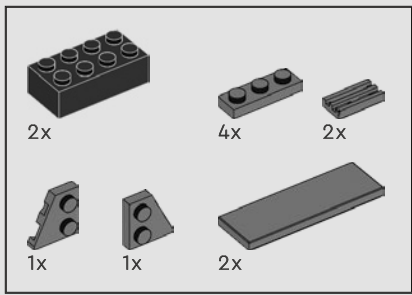
208



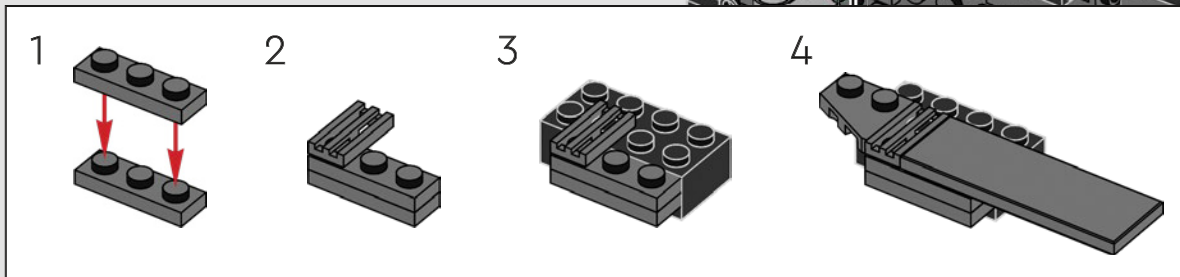
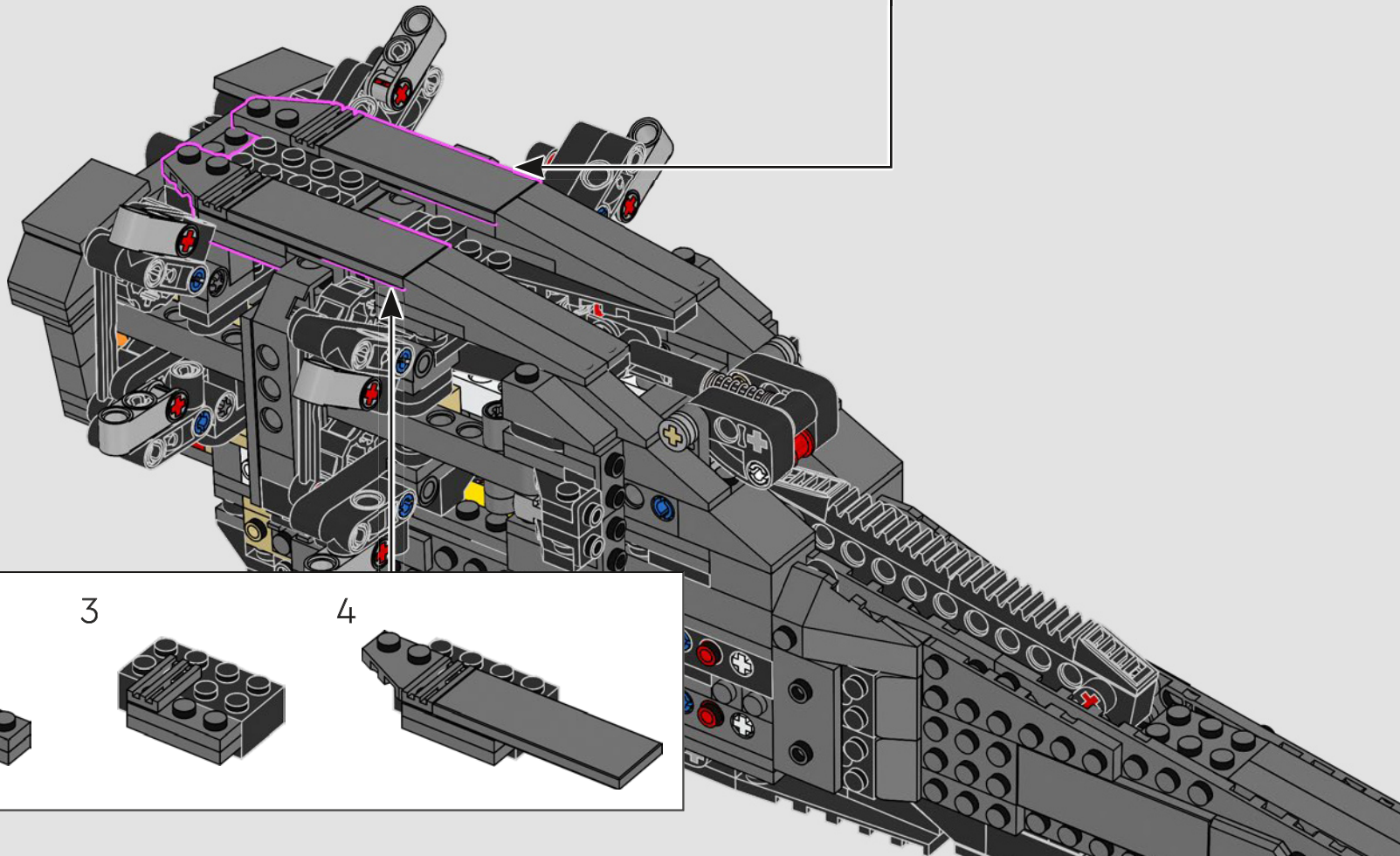


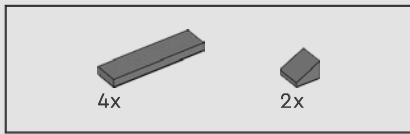
210



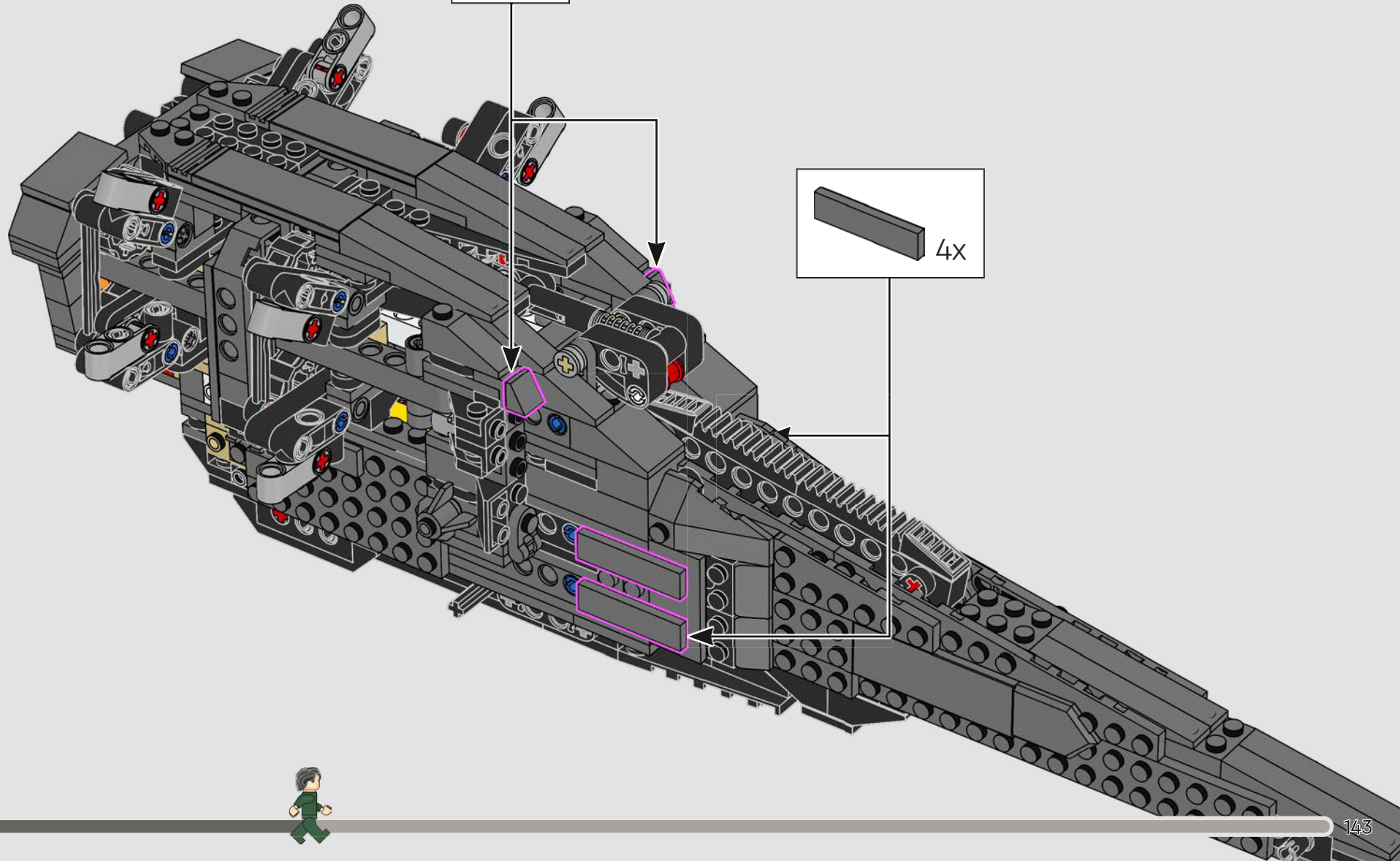
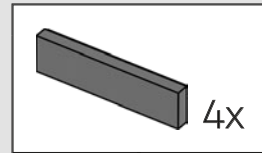


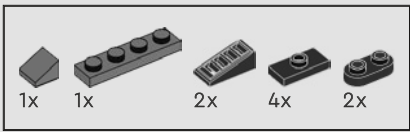
211



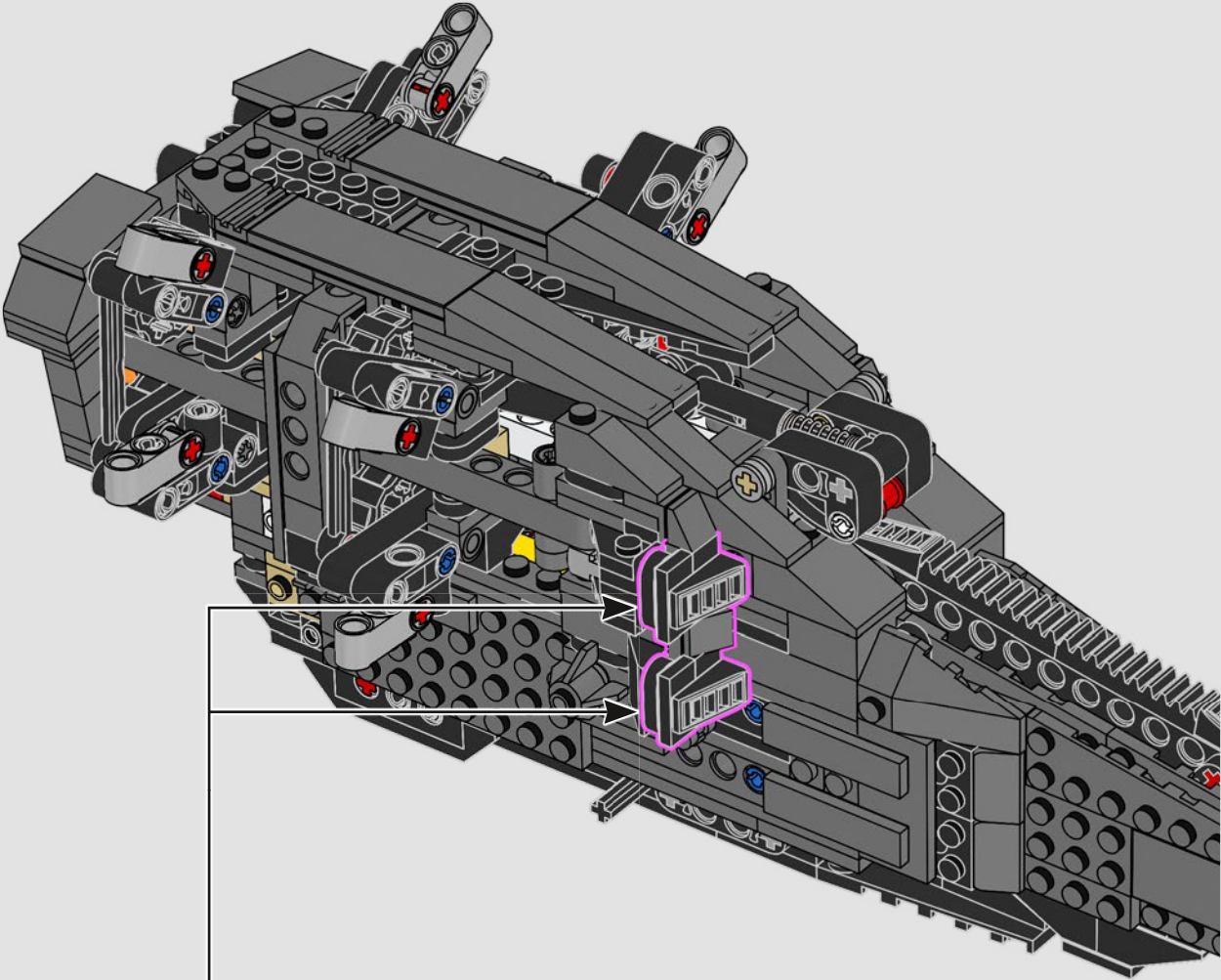
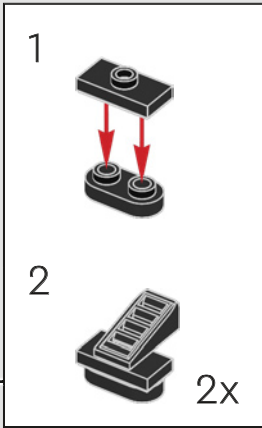
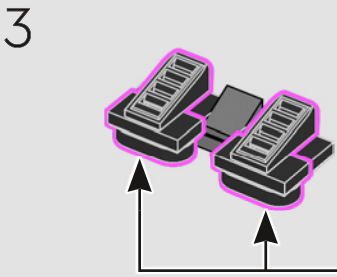
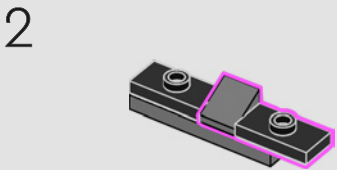
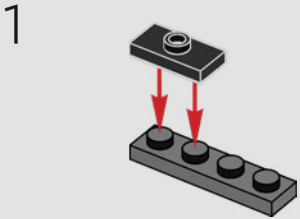


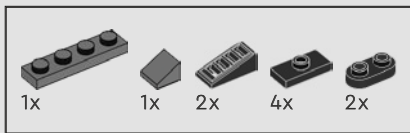
212





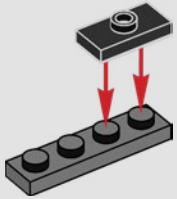
213



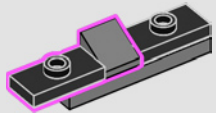


214

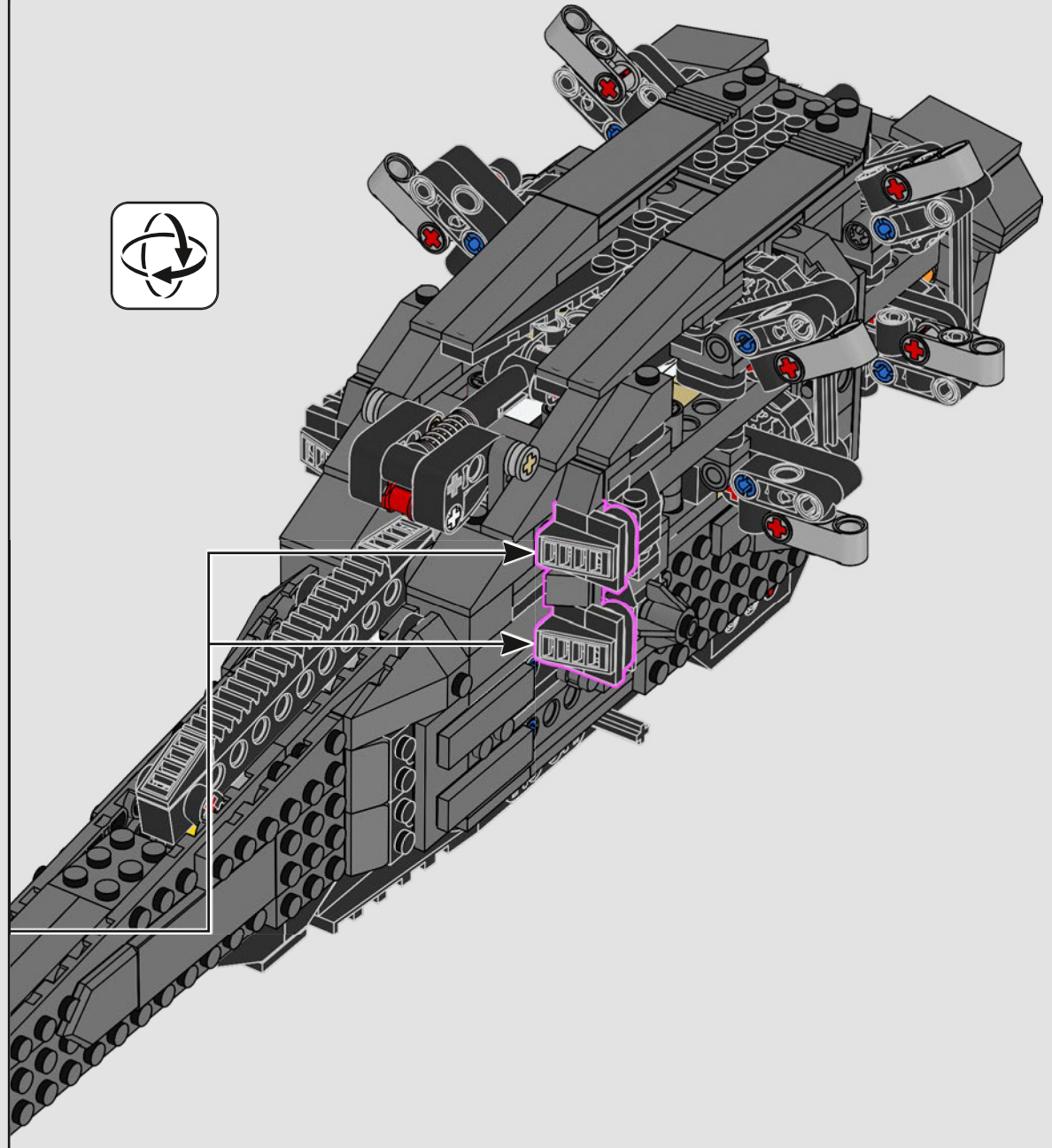
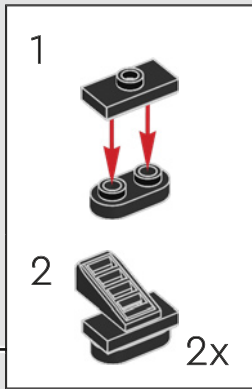
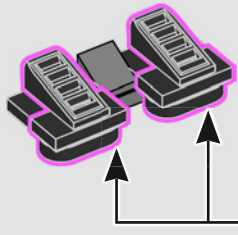
1

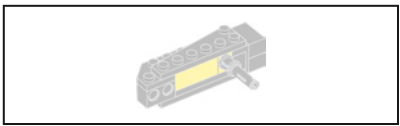


2

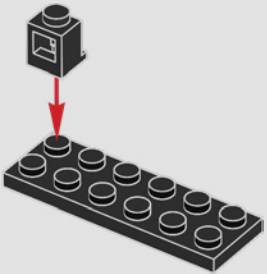


3

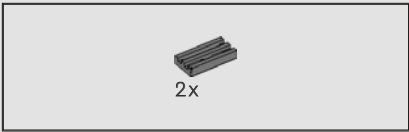
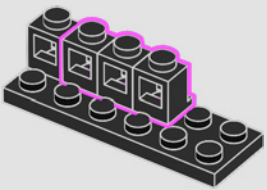




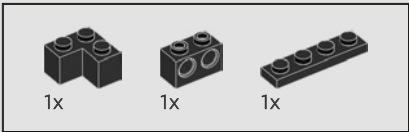
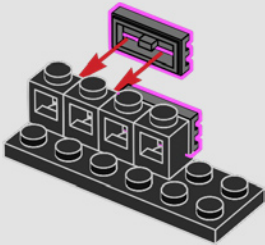
215



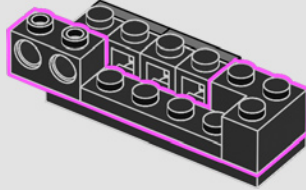
216

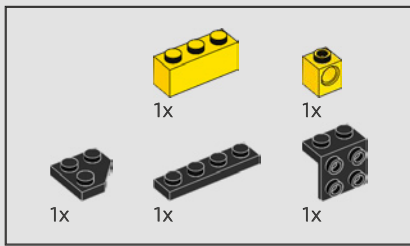


217

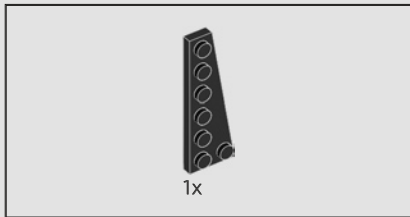
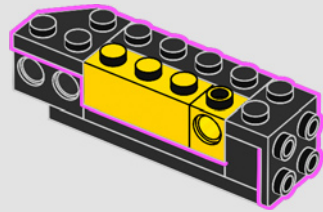


218

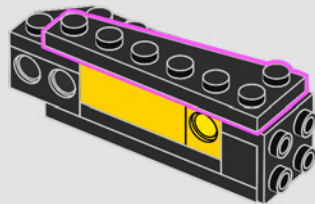




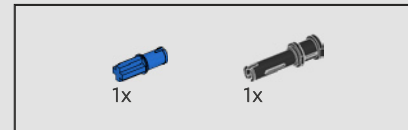
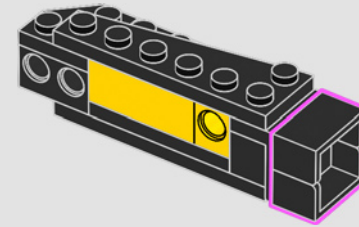
219



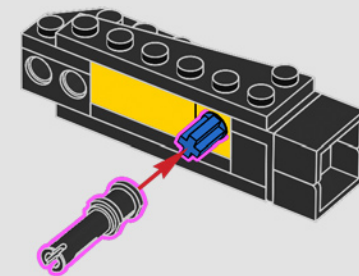
220



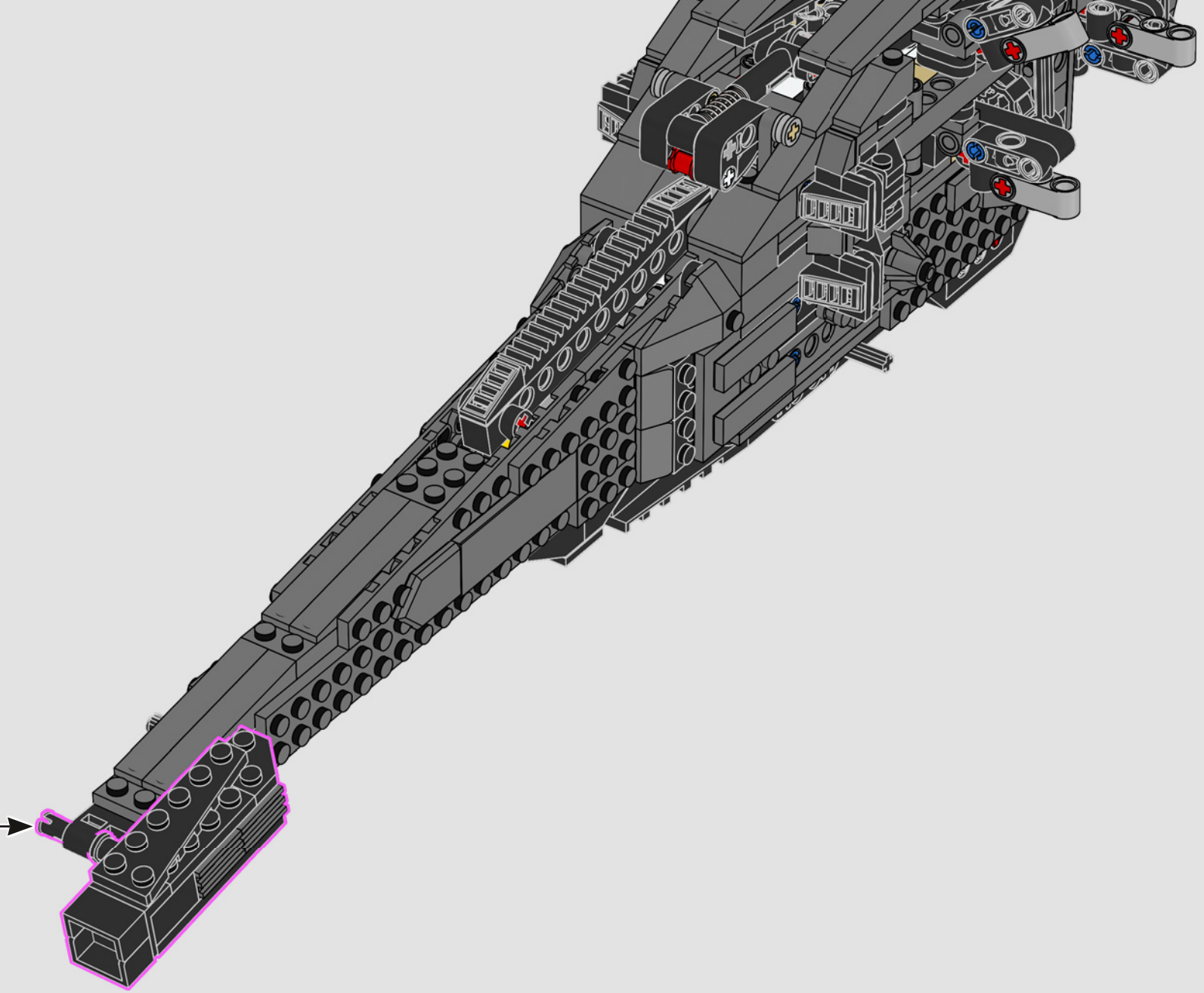
221

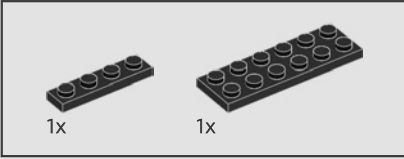
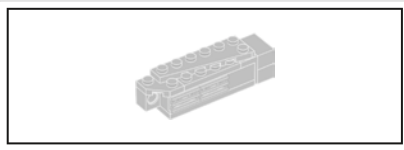


222

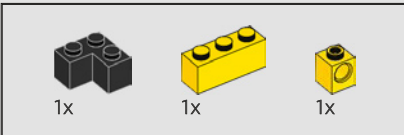
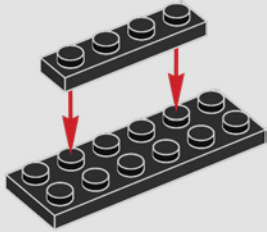


223

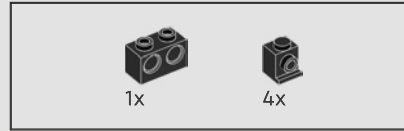
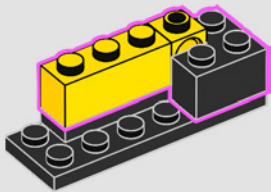




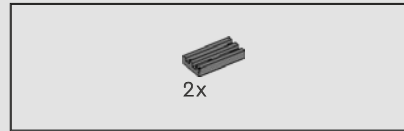
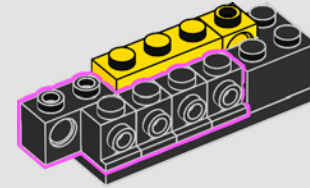
224



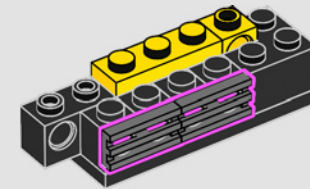
225

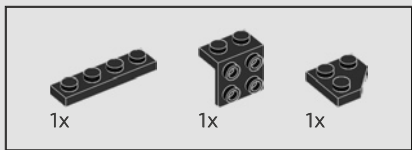


226

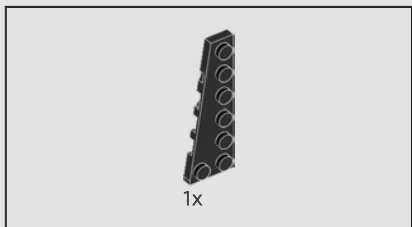
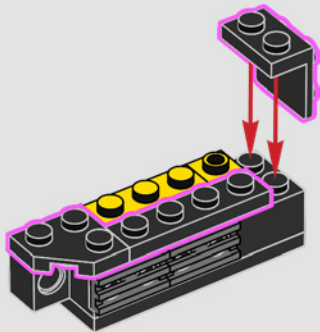


227

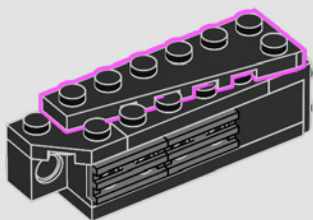




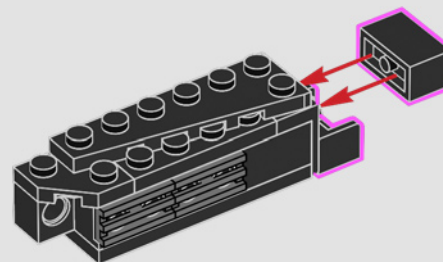
228



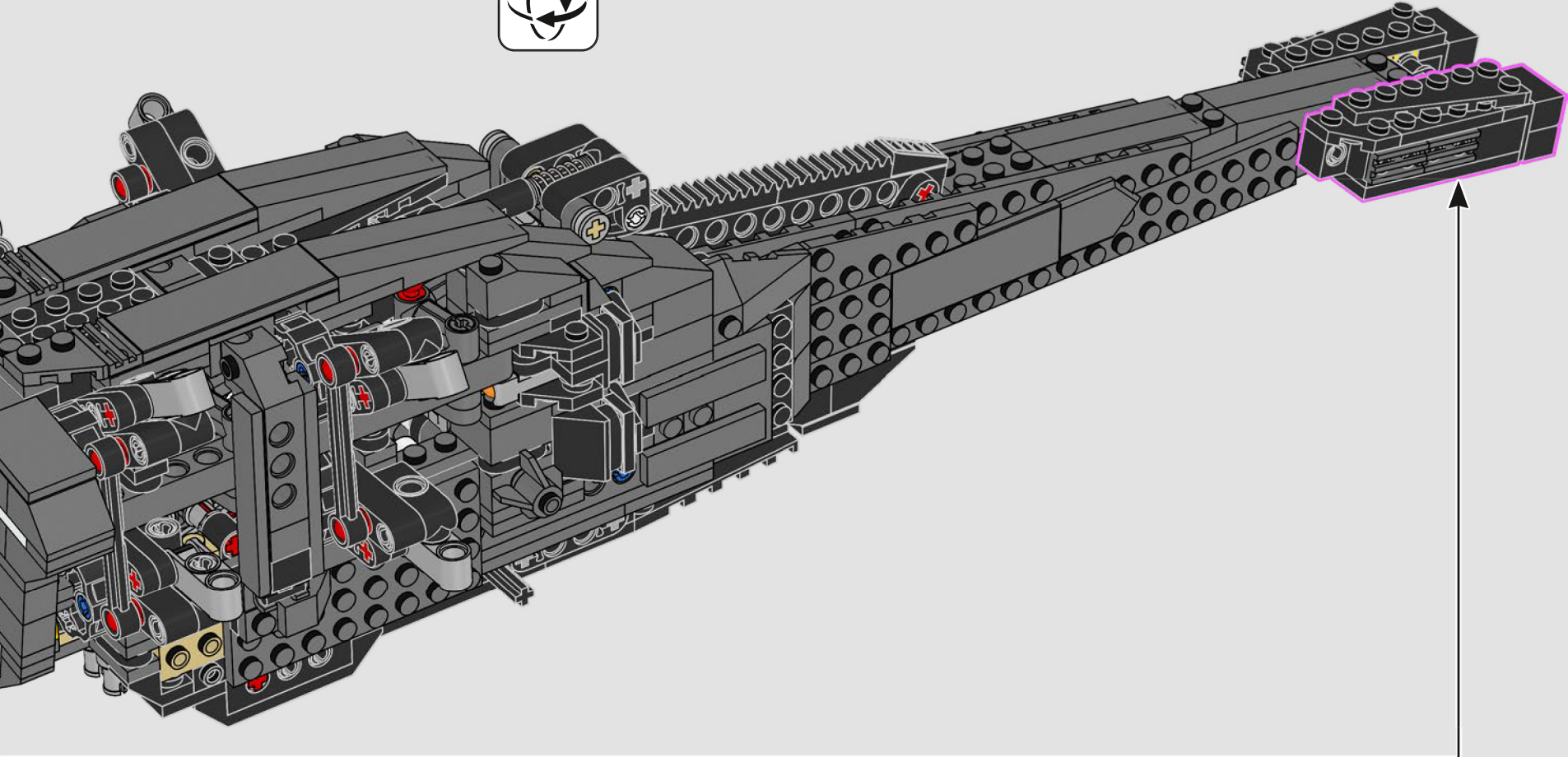
229

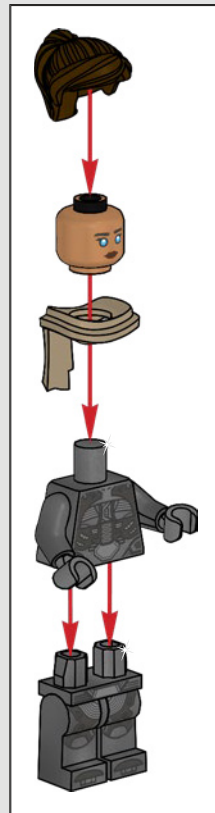


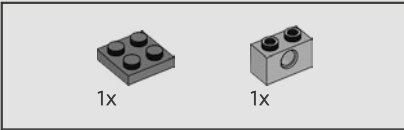
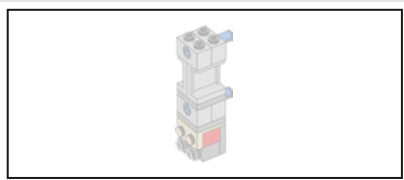
230



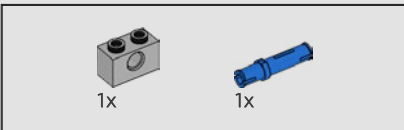
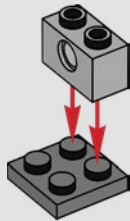
231



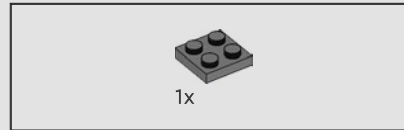
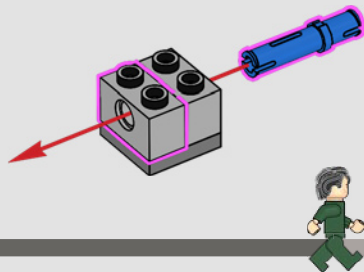




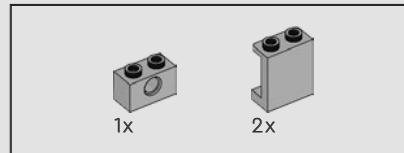
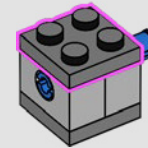
232



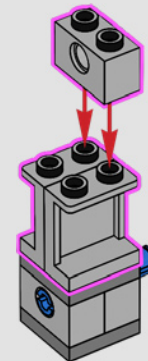
233

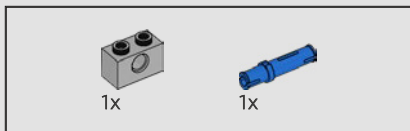


234

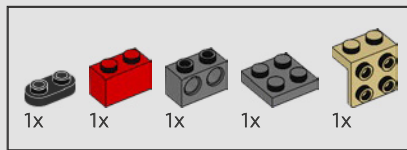
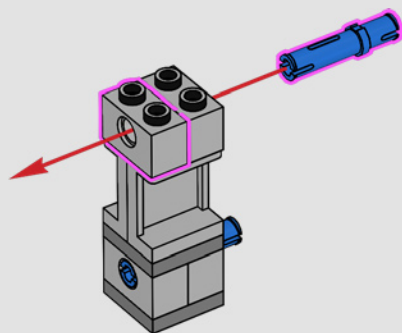


235

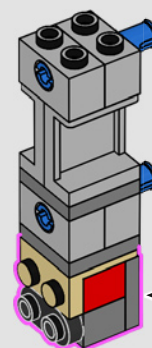
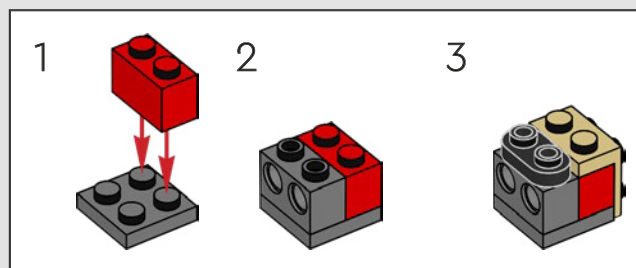




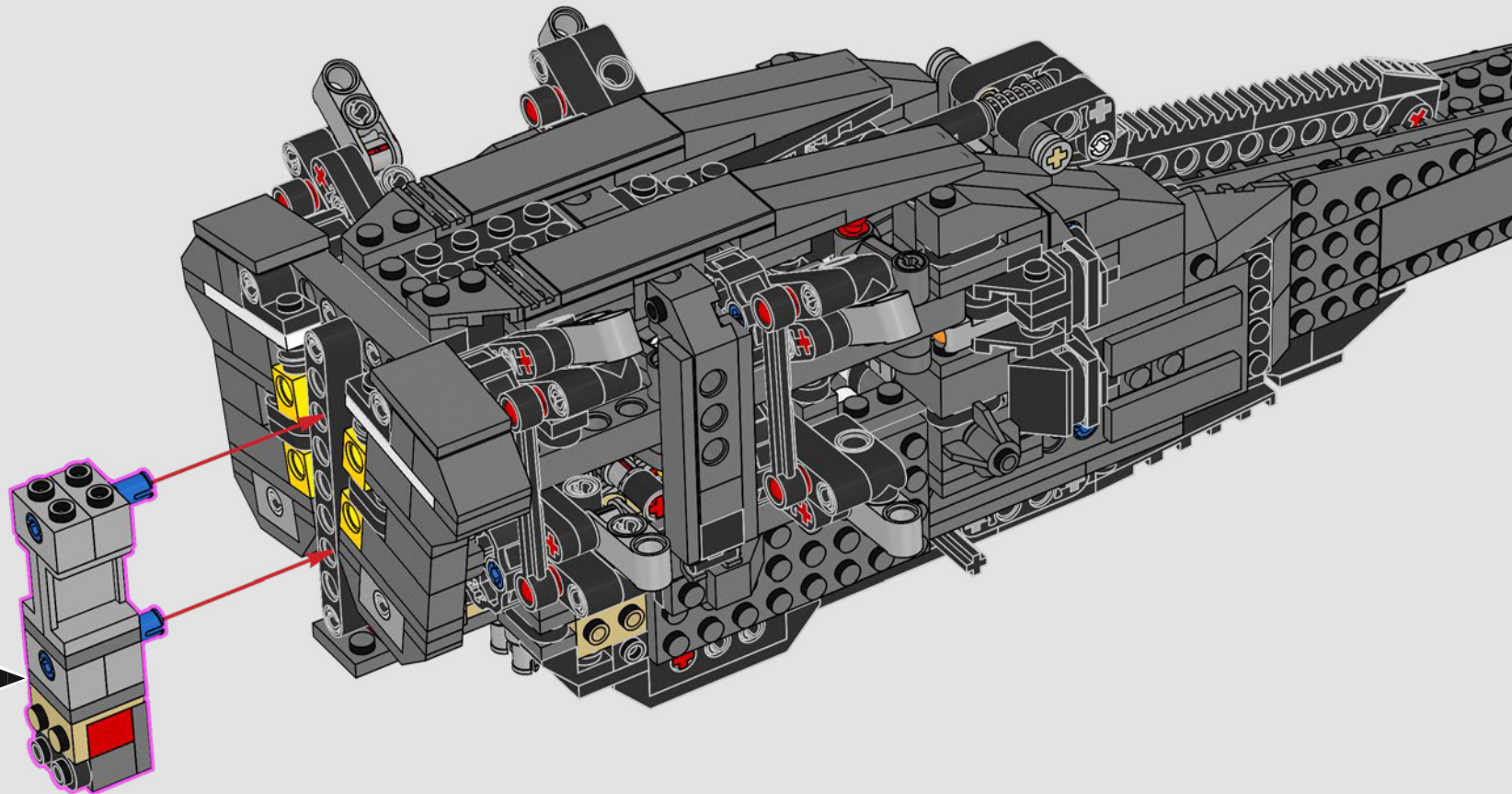
236

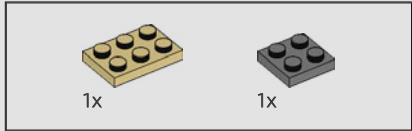
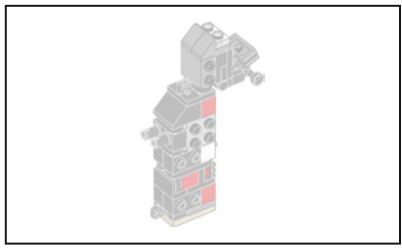


237

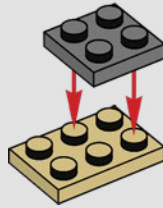


238

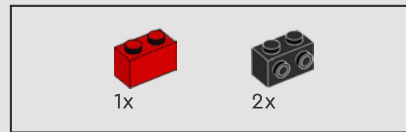
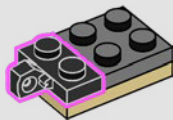




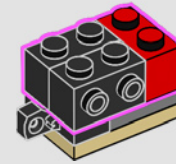
239



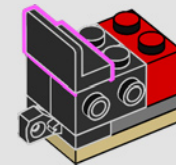
240

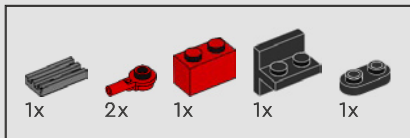


241

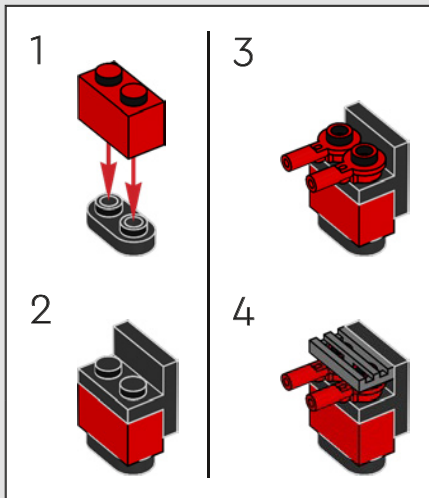
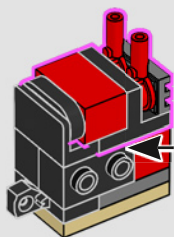


242

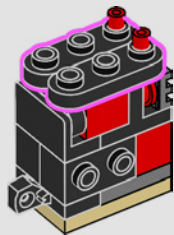




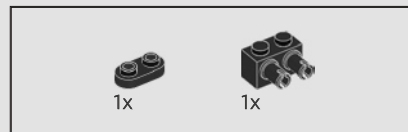
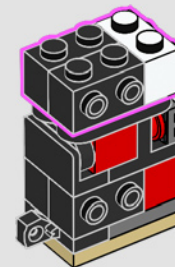
243



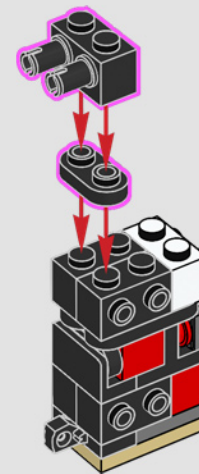
244

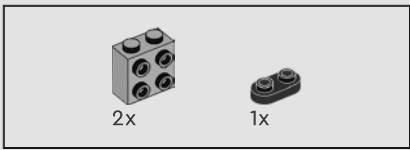


245

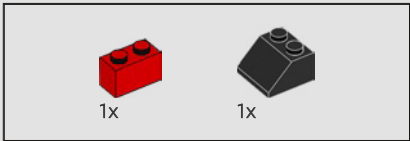
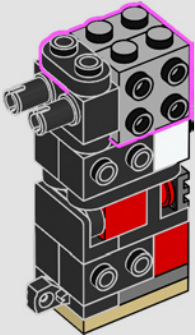


246

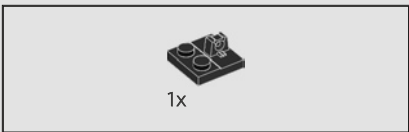
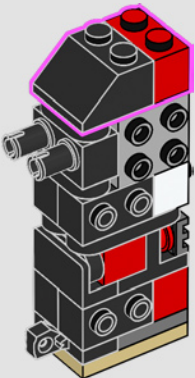




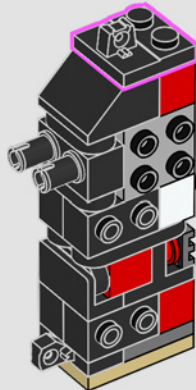
247

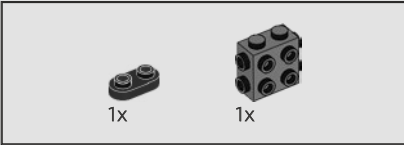
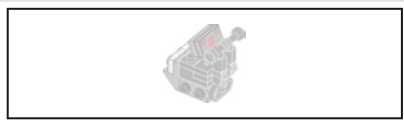


248

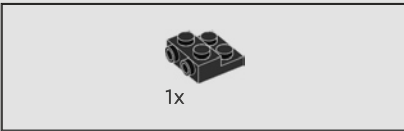
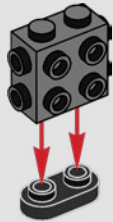


249

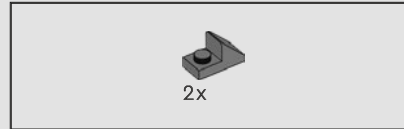
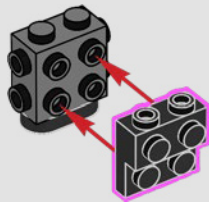




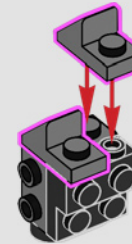
250



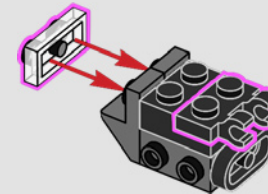
251

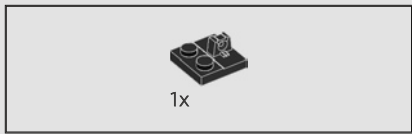


252

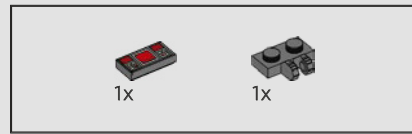
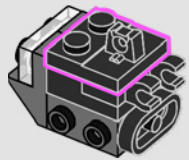


253

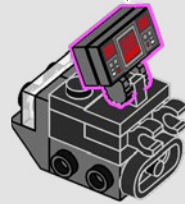
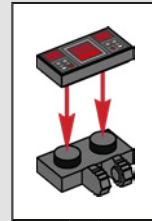




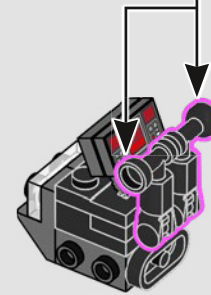
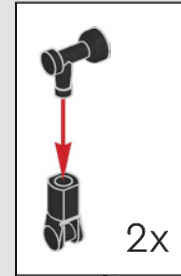
254



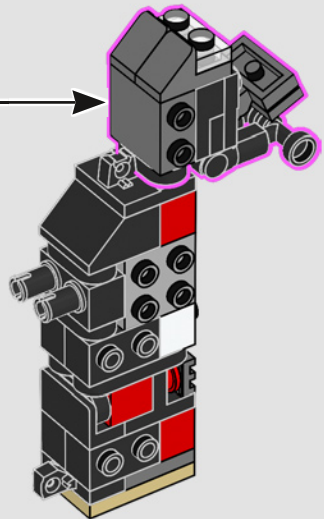
255



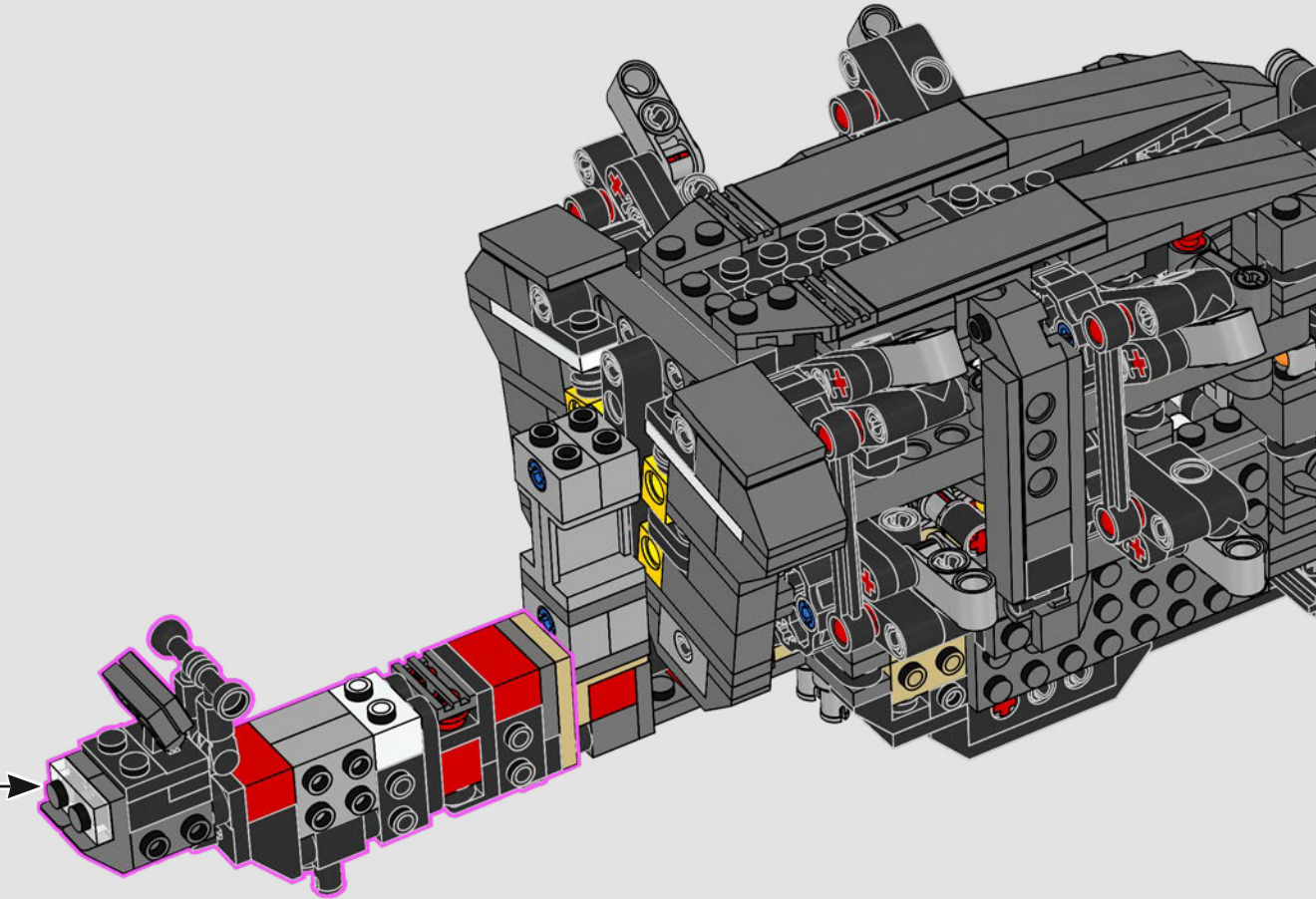
256

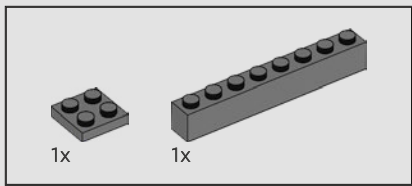


257

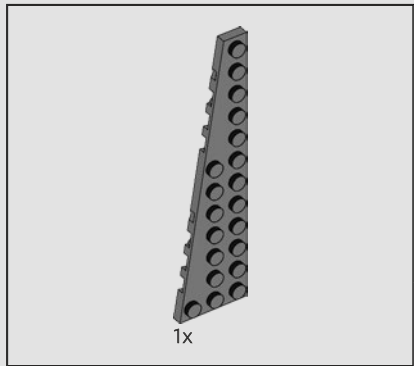
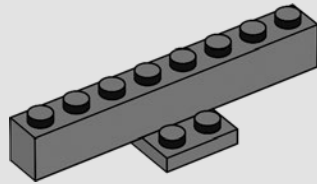


258

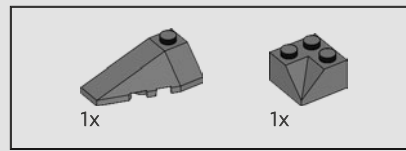
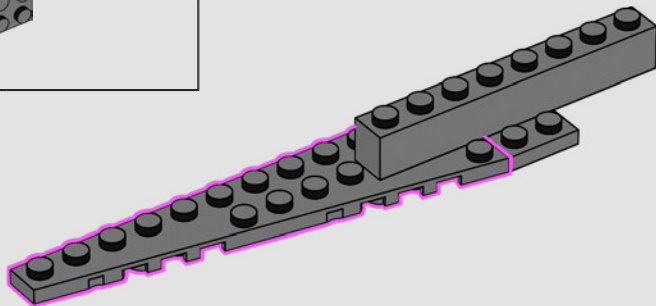




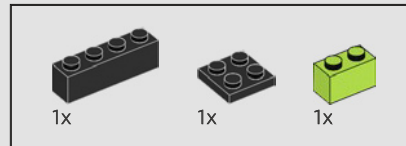
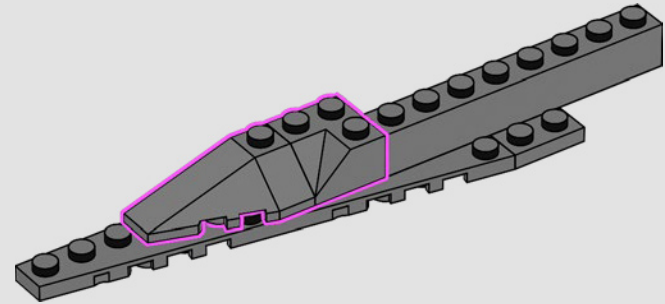
259



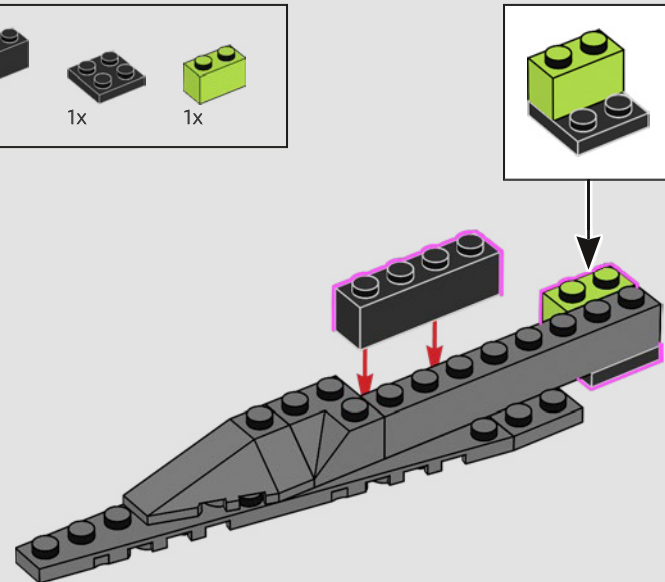
260

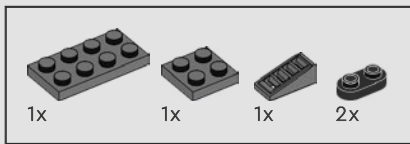


261

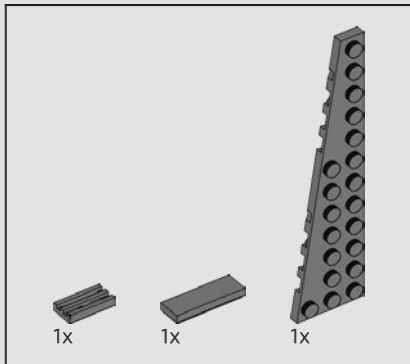
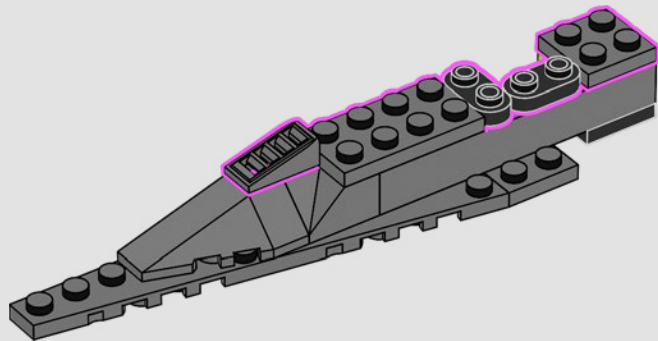


262

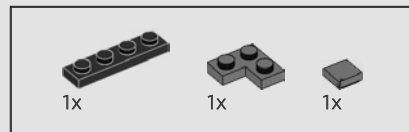
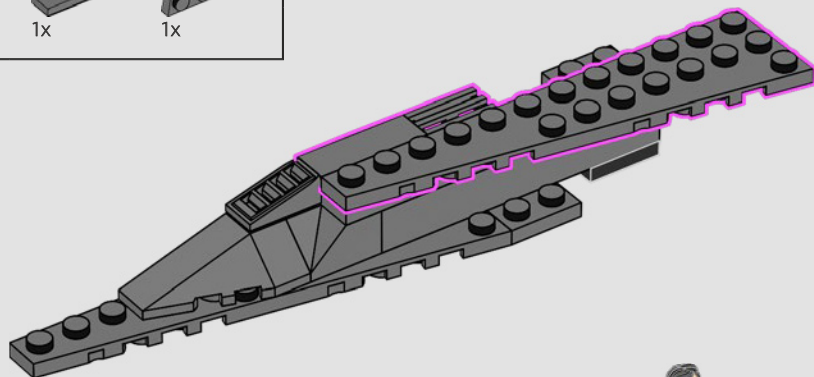




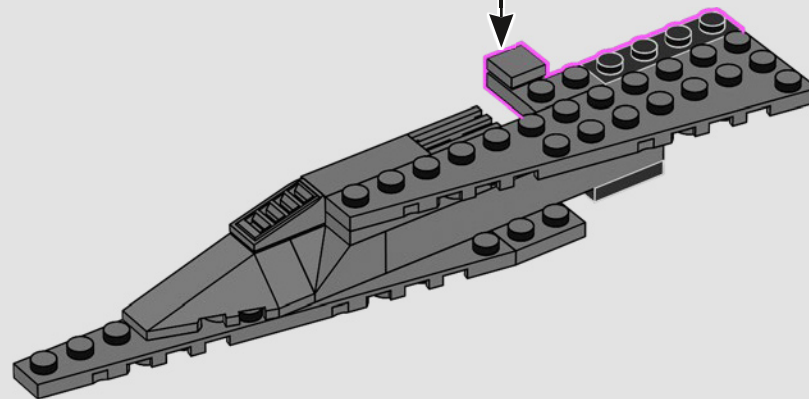
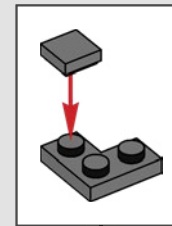
263



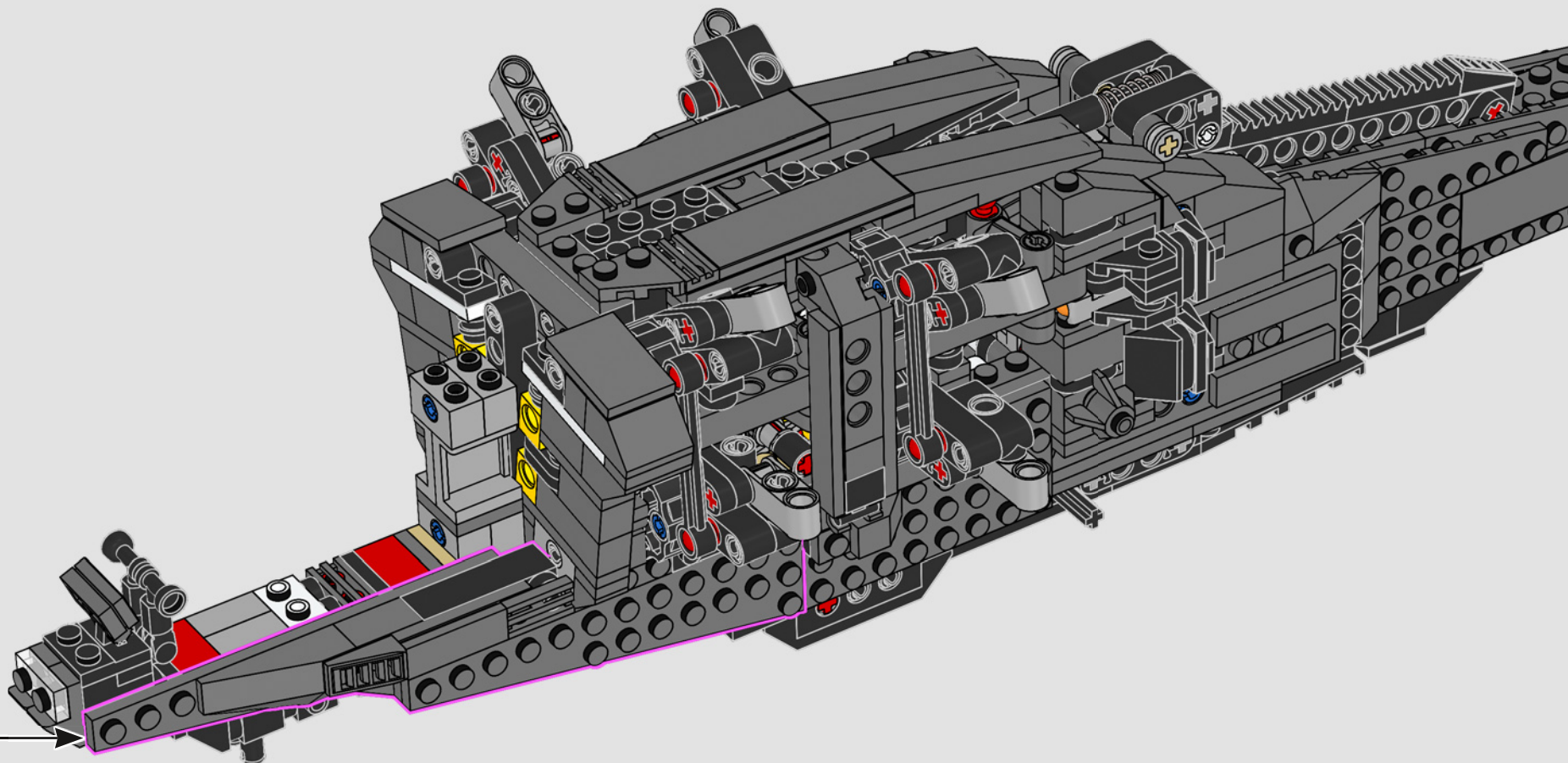
264

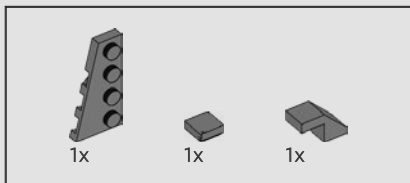


265

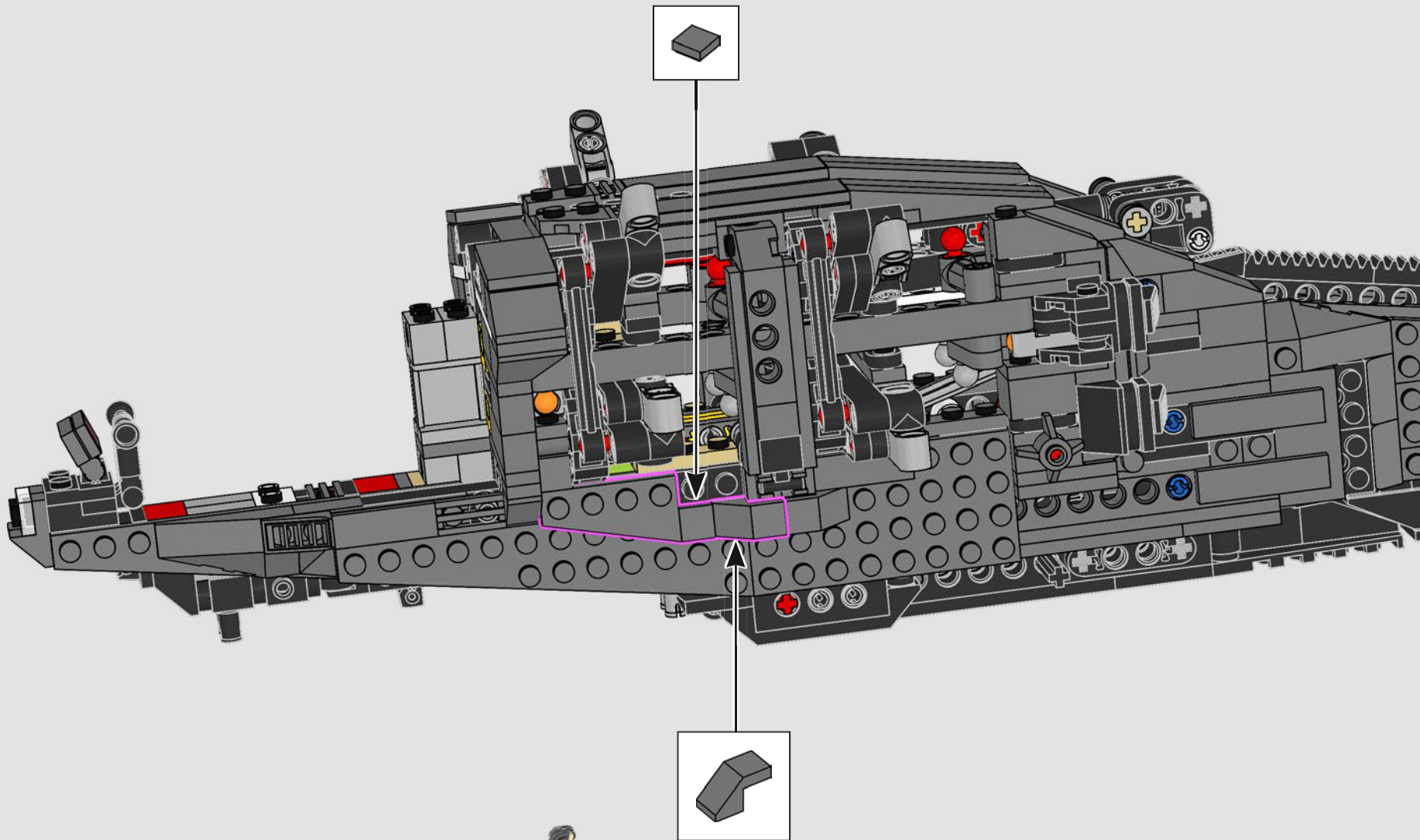


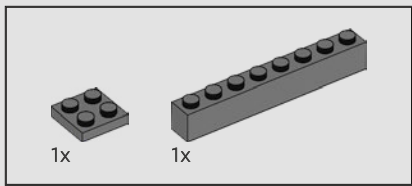
266



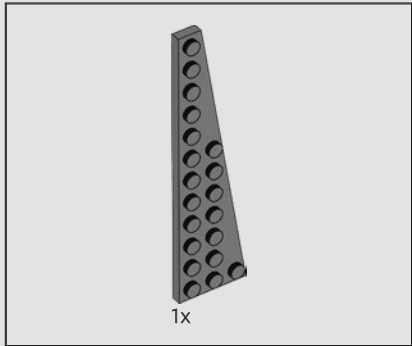
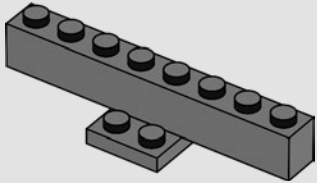


267

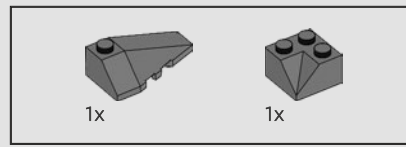
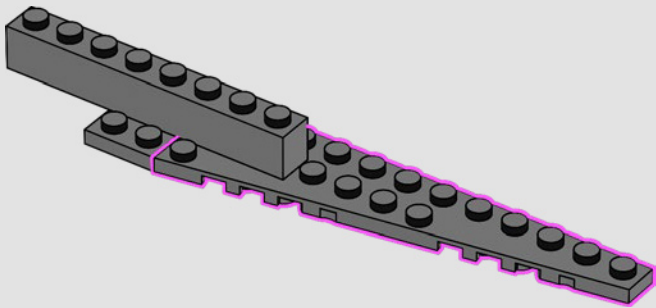




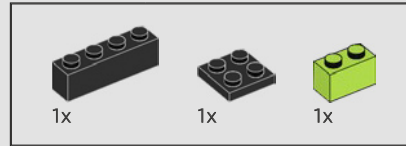
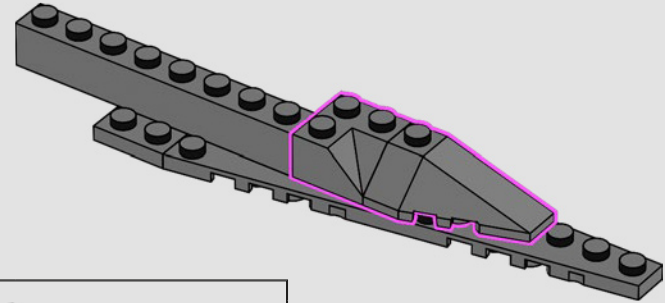
268



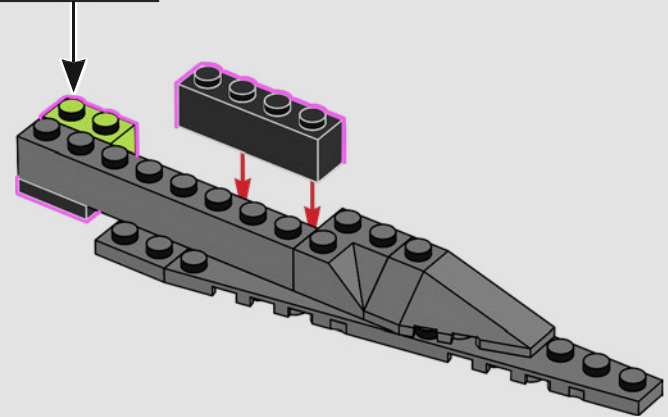
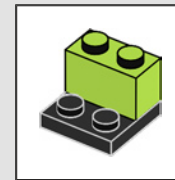
269

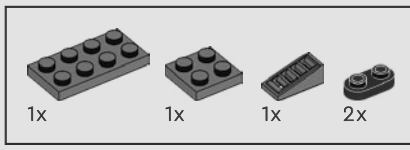


270

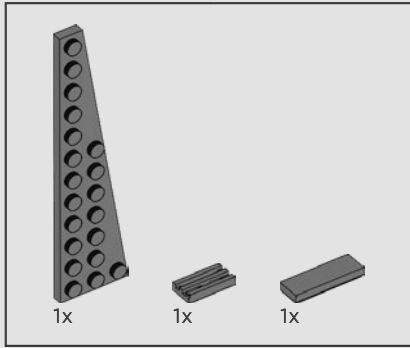
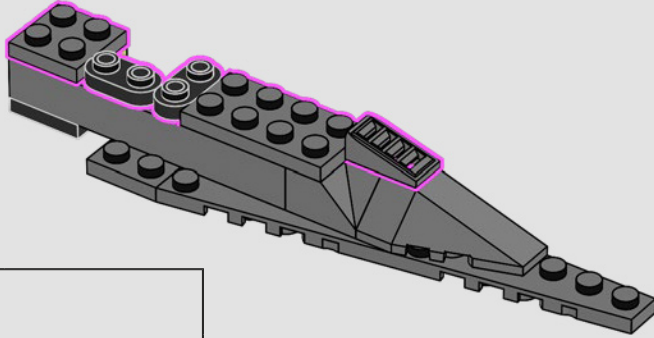


271

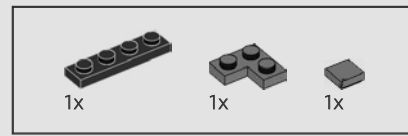
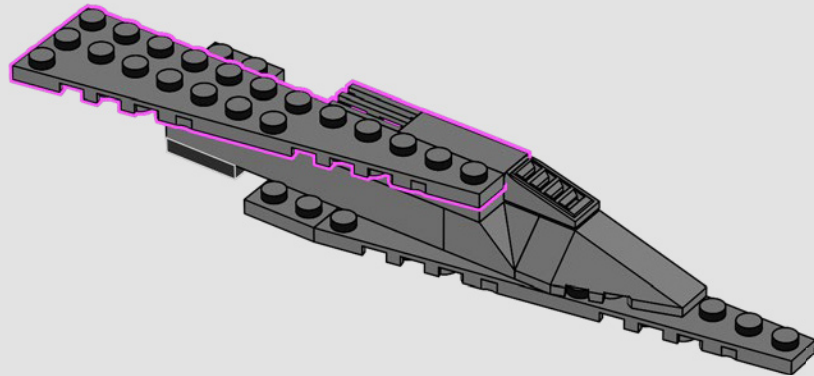




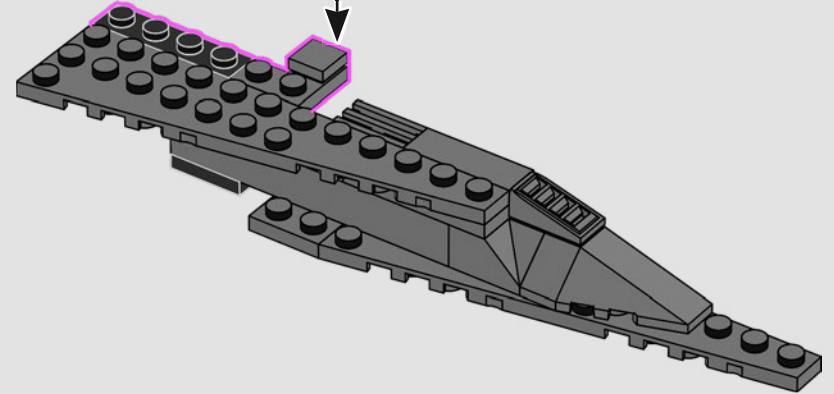
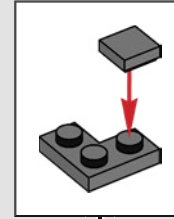
272



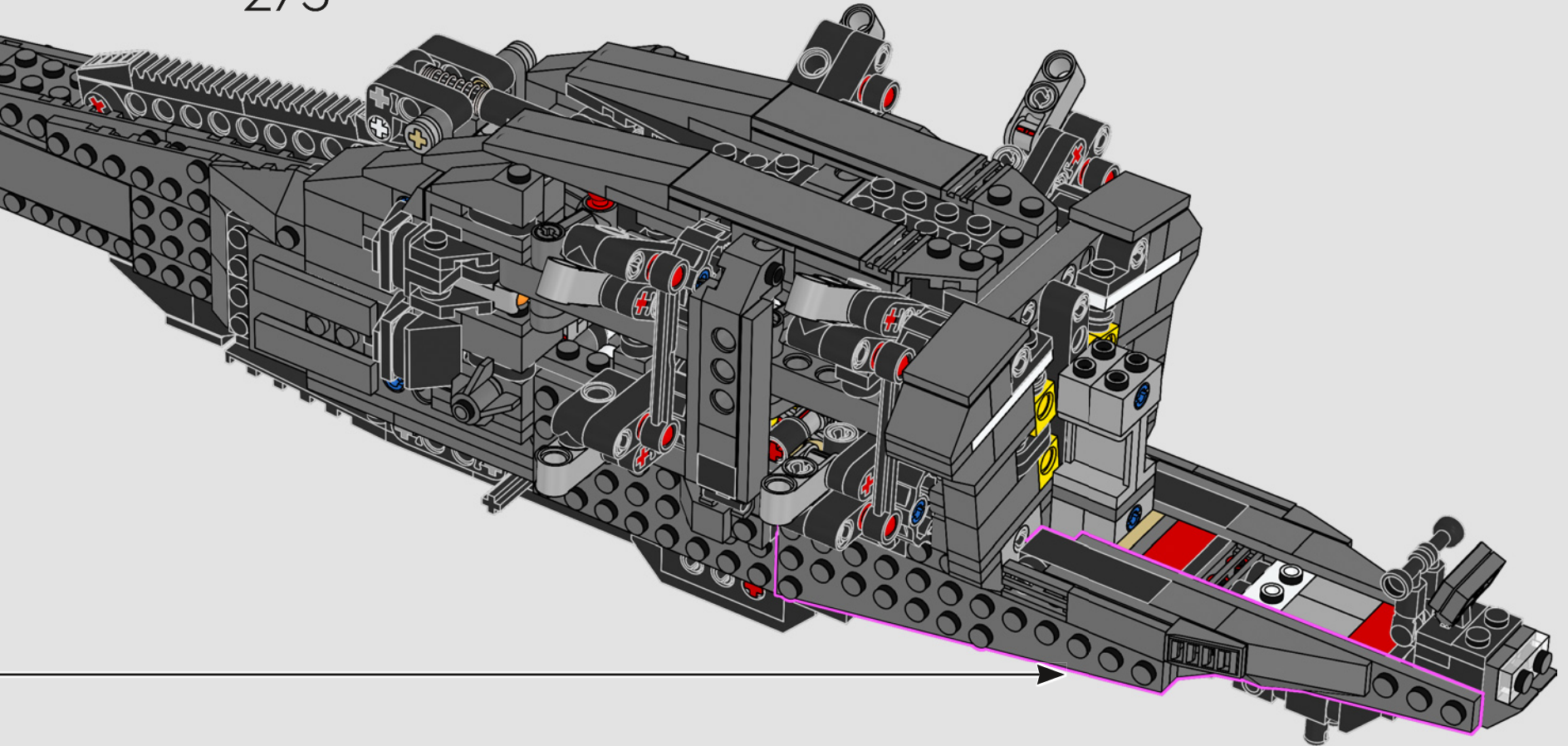
273

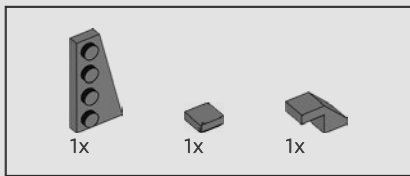


274

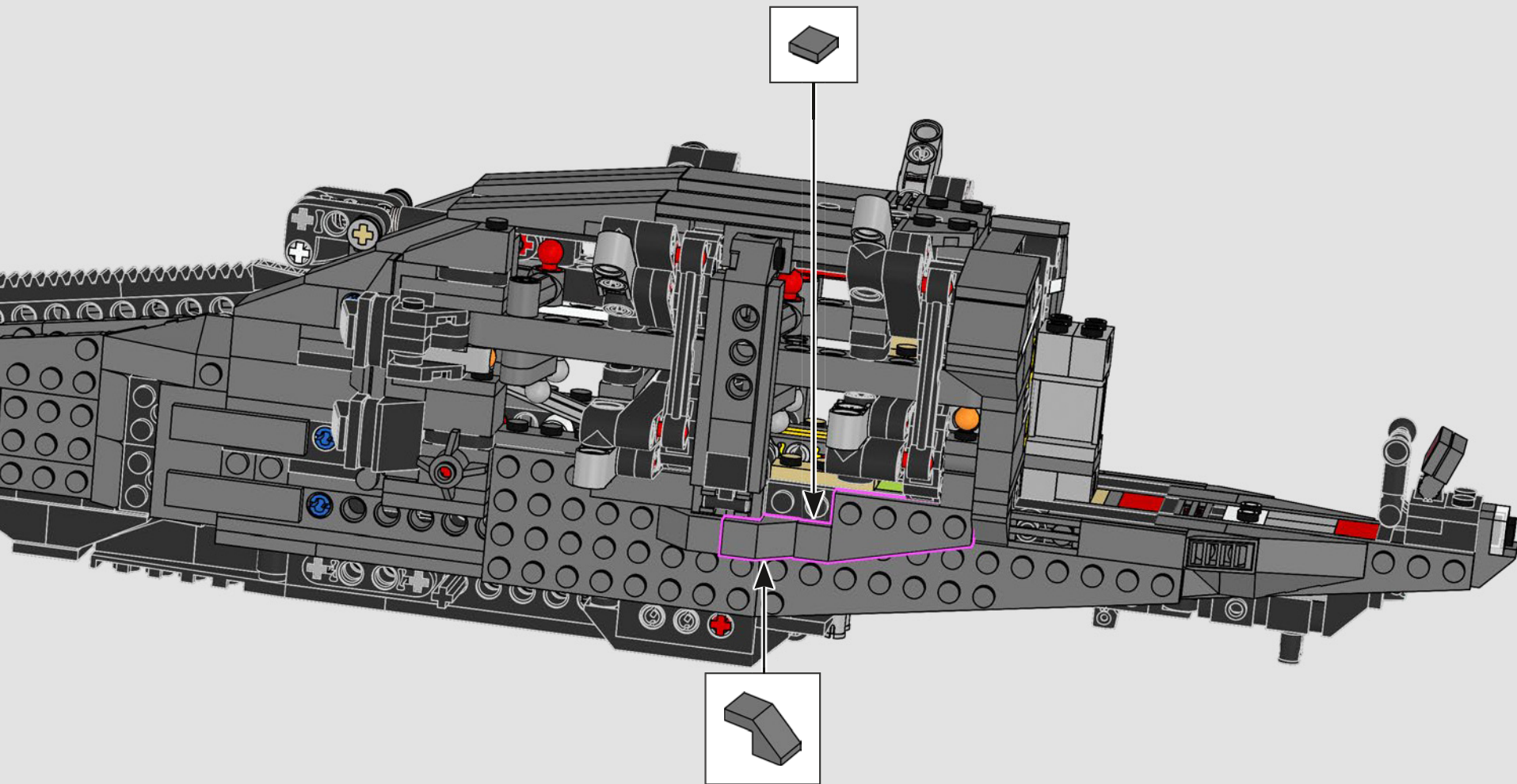


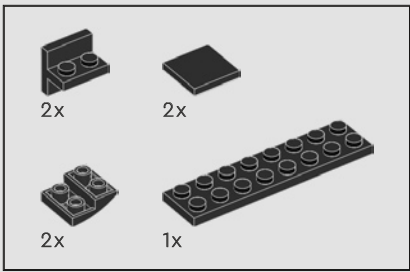
275



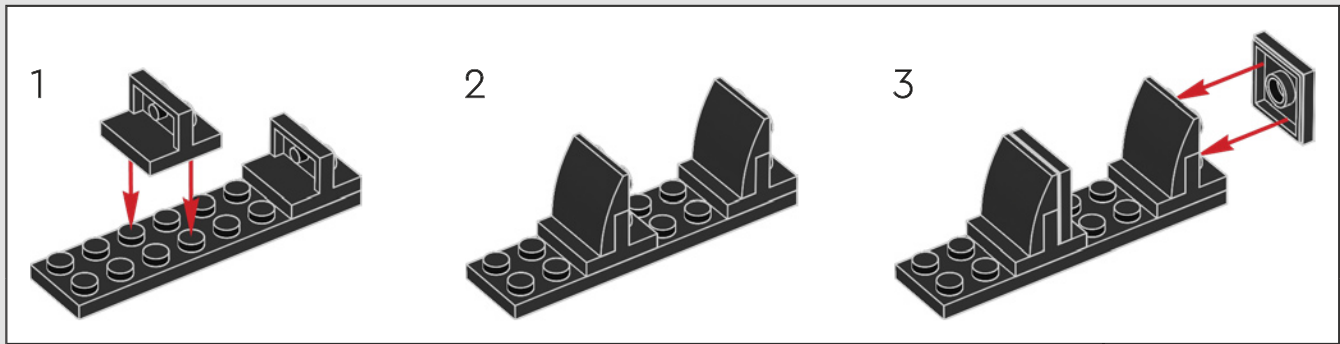


276

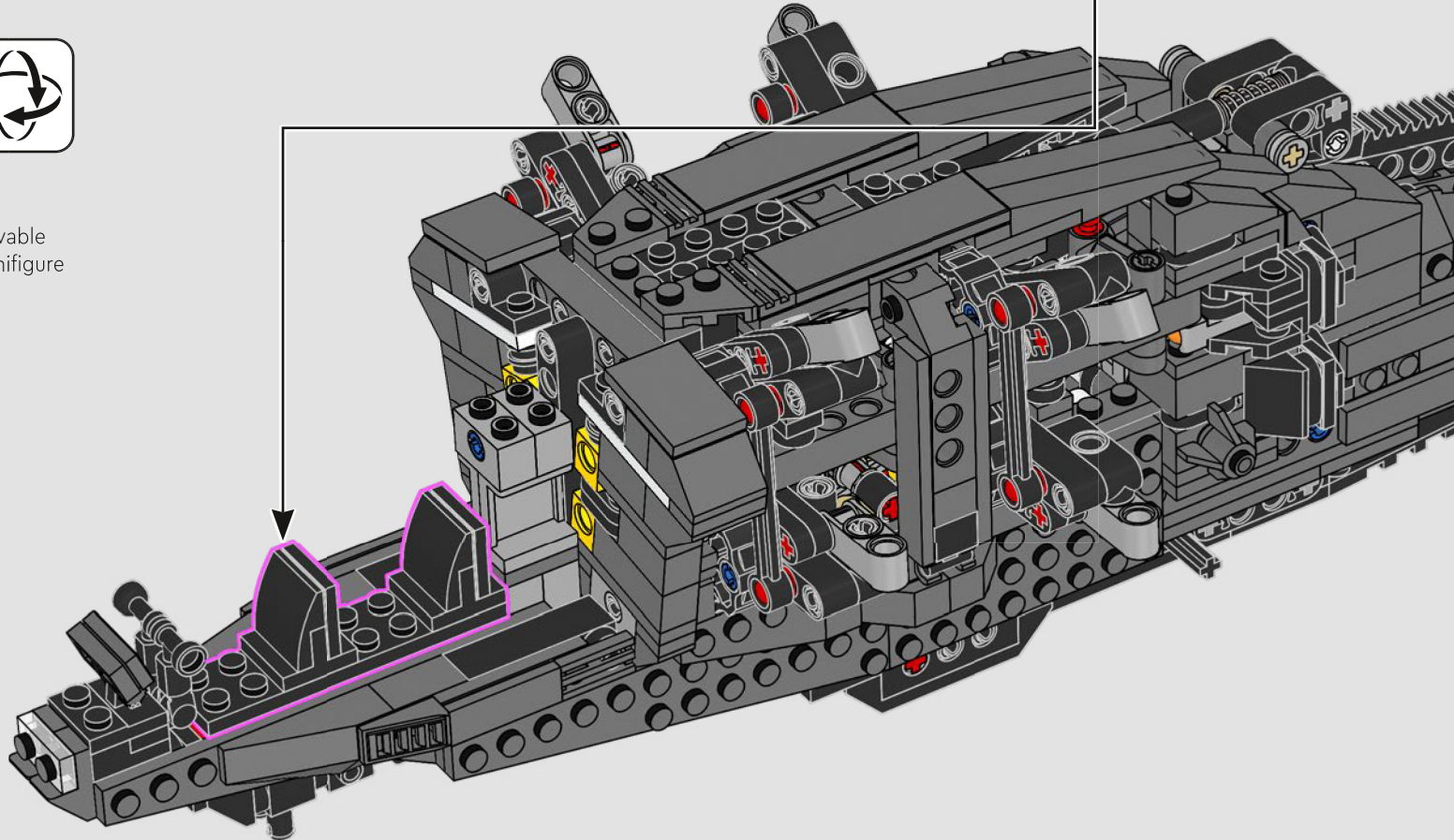


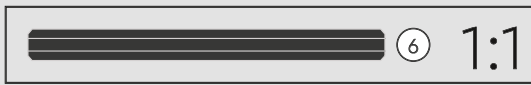
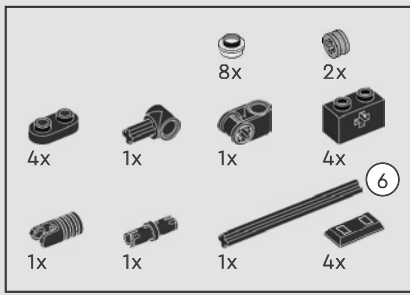


277



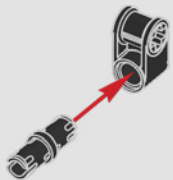
The two cockpit seats are built as a removable section to make it easier to place your minifigure characters in the cockpit.





278

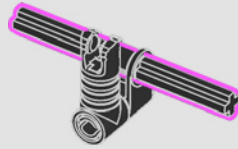
1



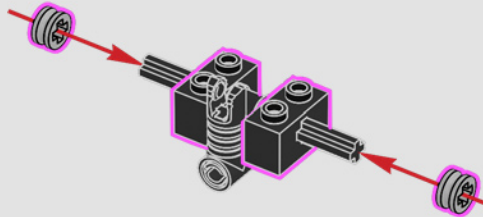
2



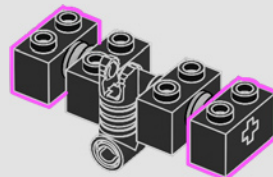
3



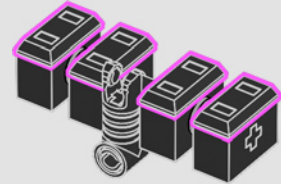
4



5



6



1

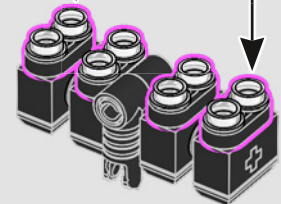


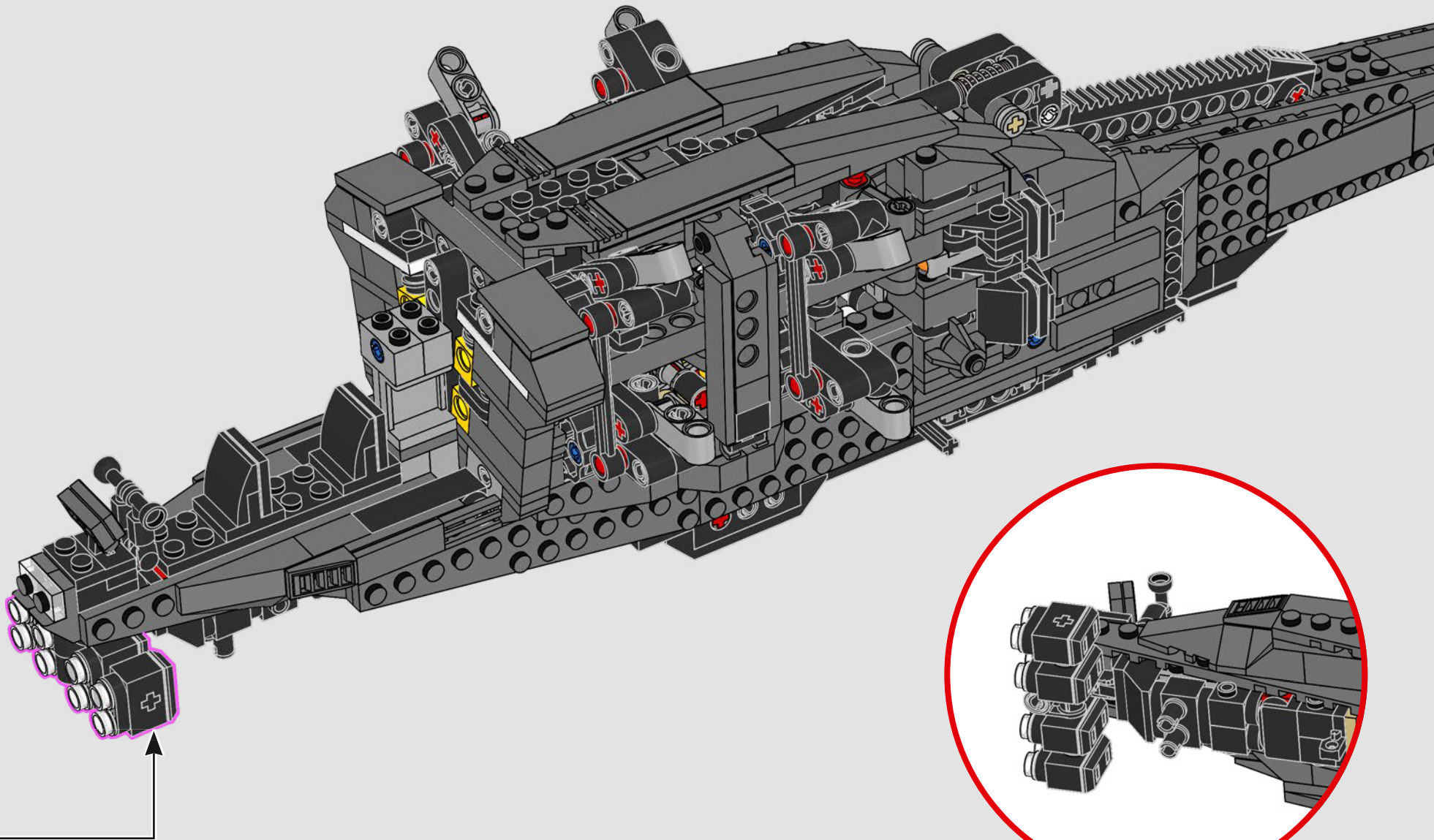
2

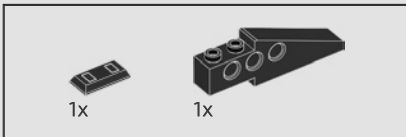
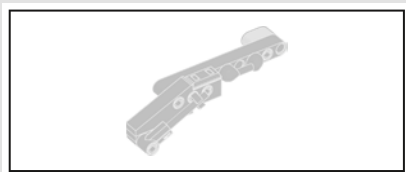


4x

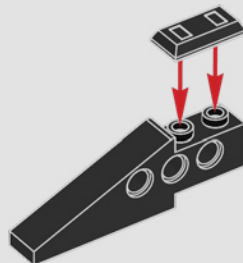
7



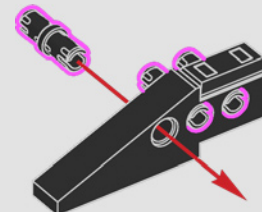




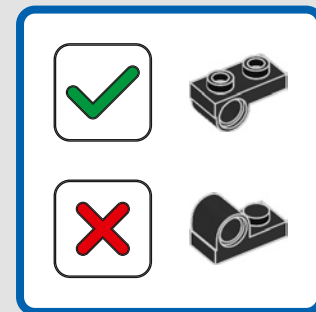
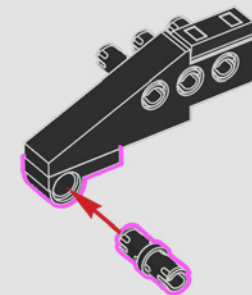
279



280

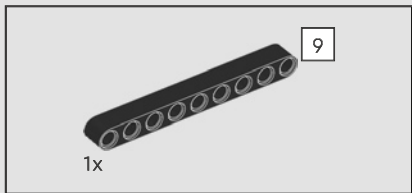
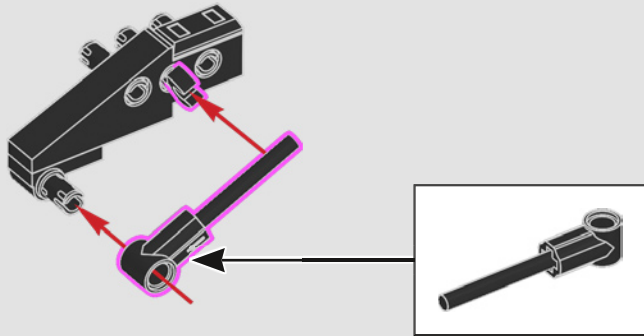


281

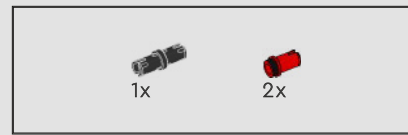
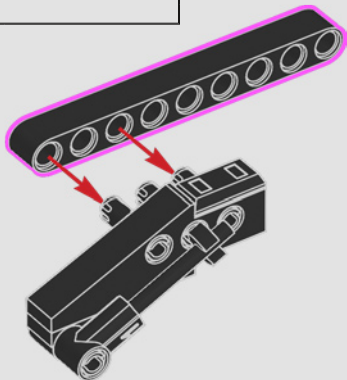




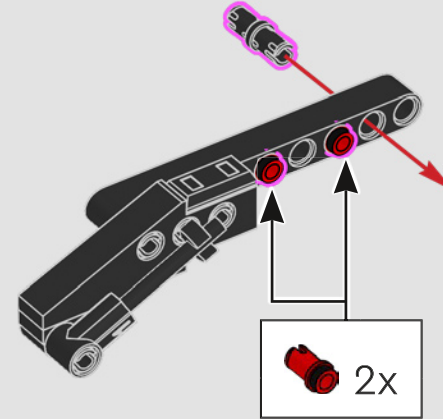
282



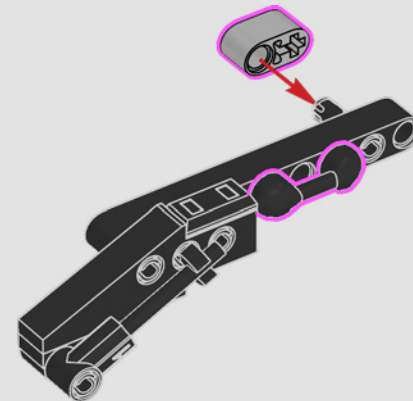
283

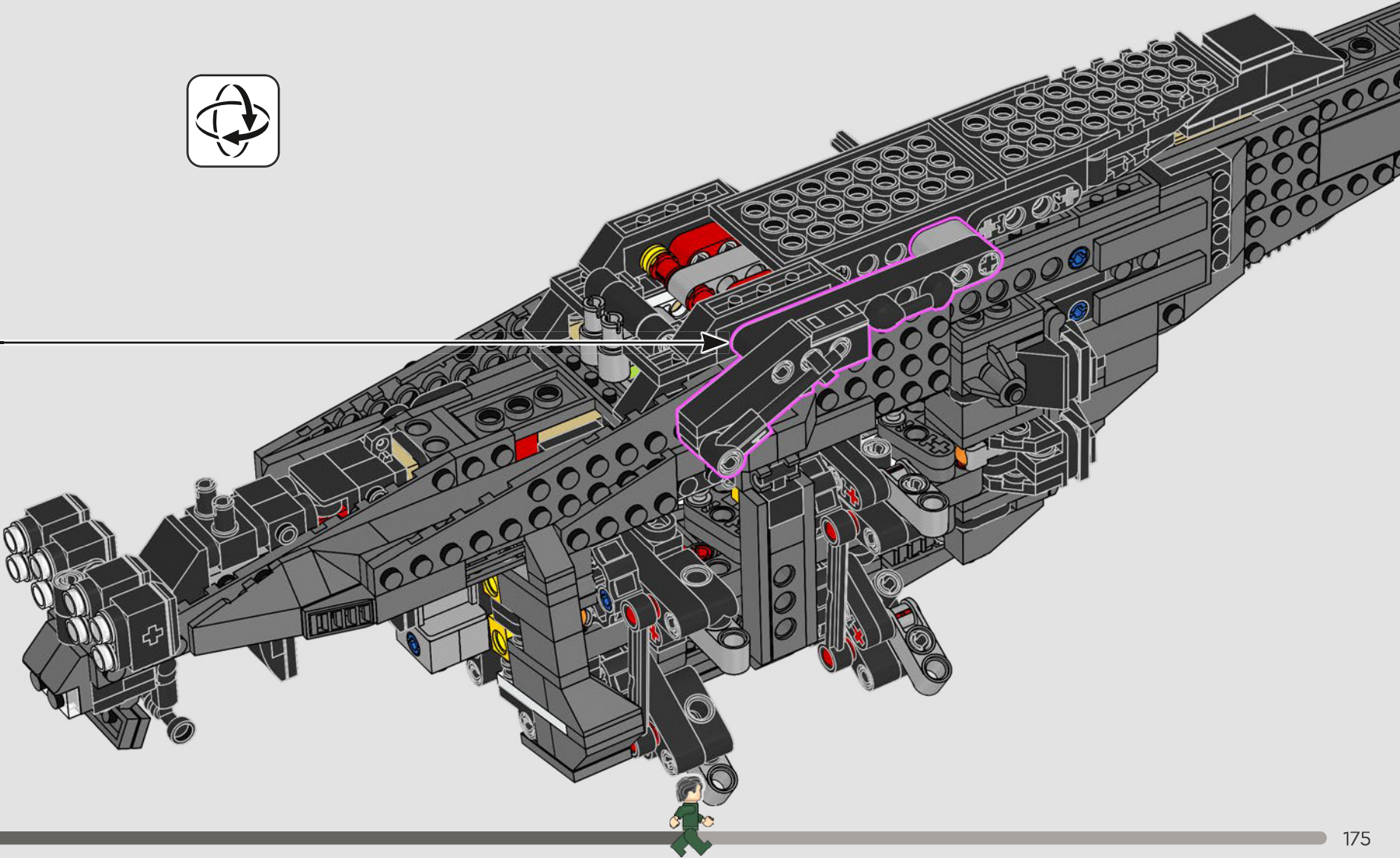


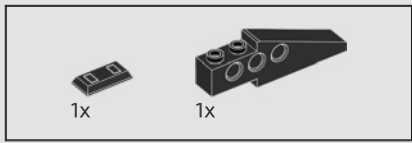
284



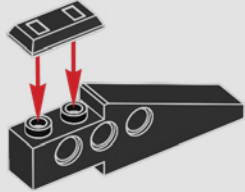
285



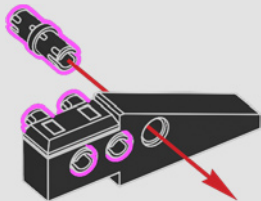




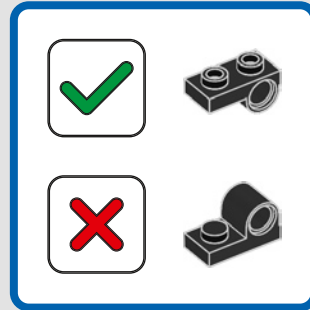
287



288

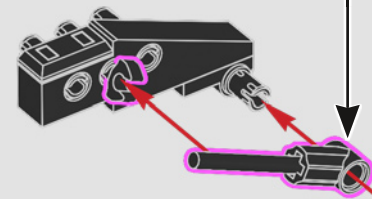
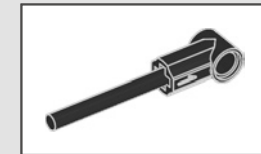
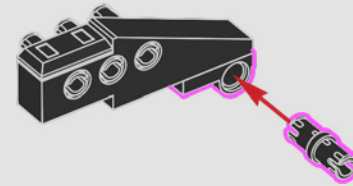


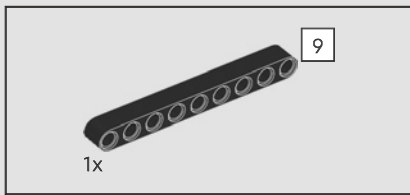
289



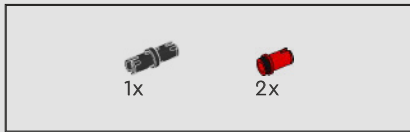
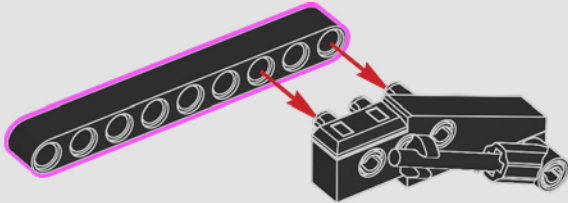
290

This wing brick provides the perfect angle to allow the landing feet to sit flat on the ground when extended.

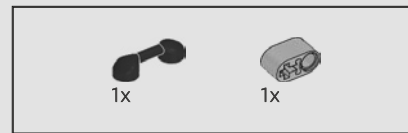
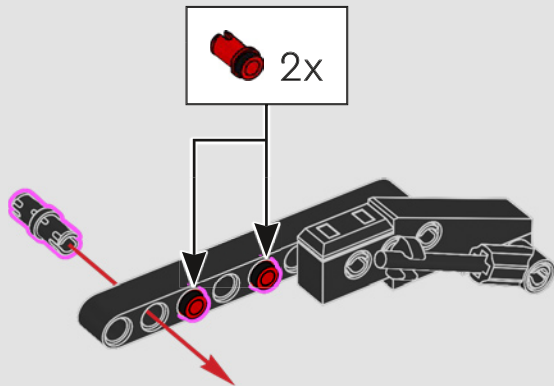




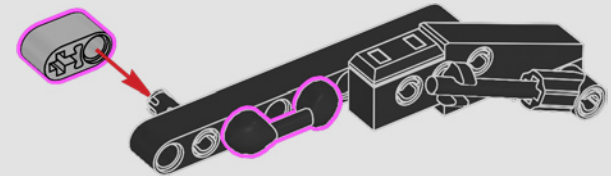
291

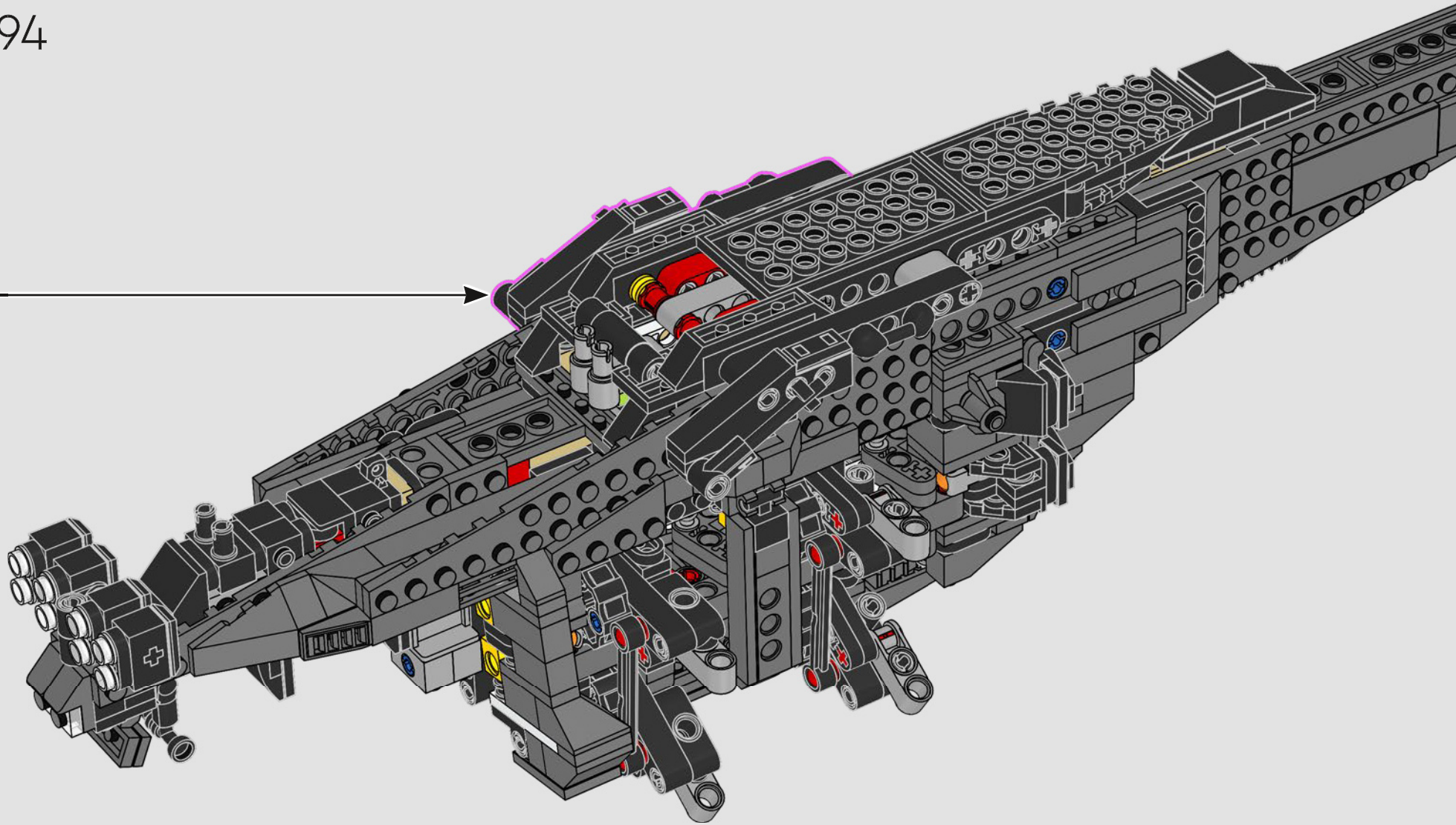


292



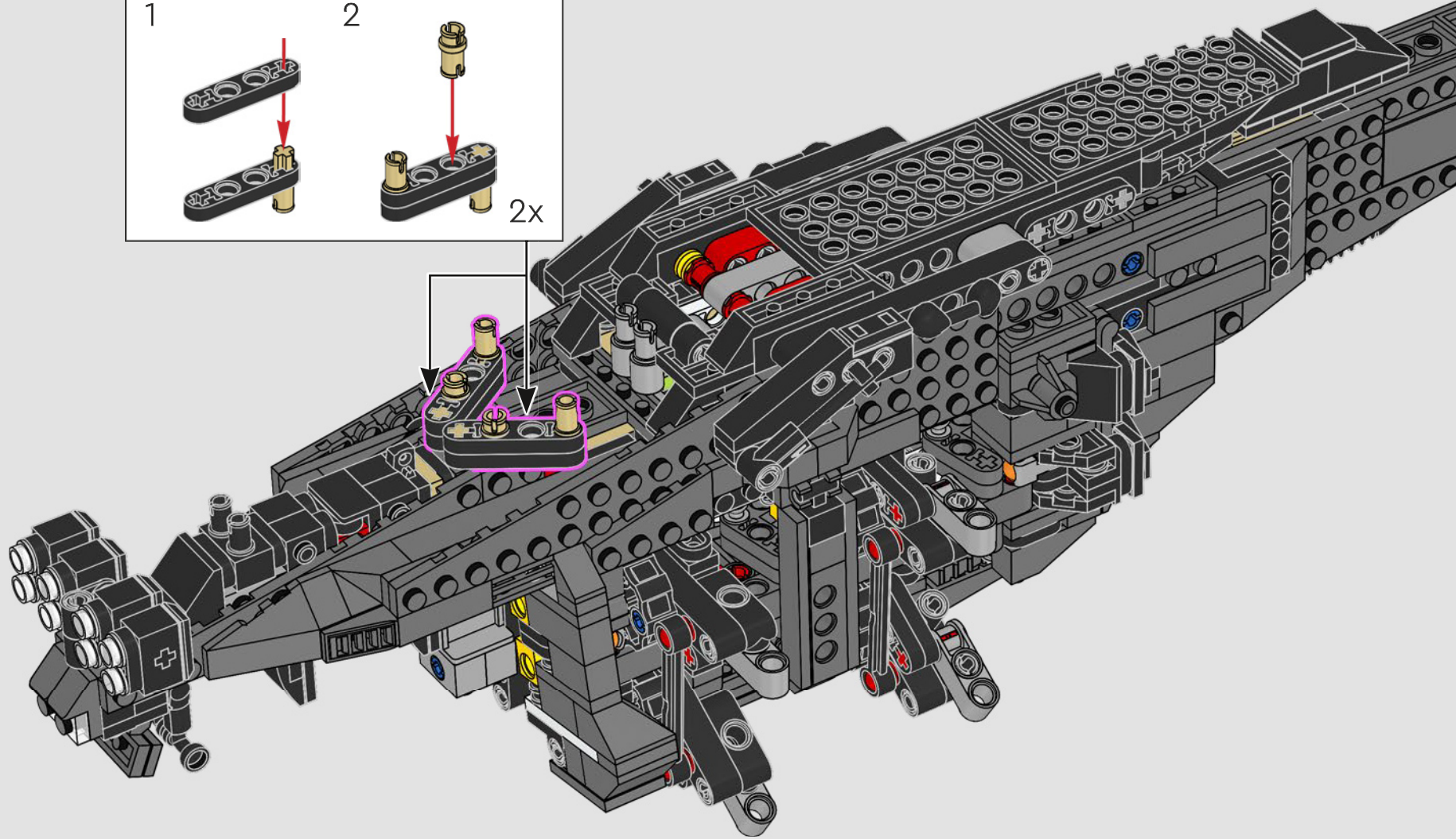
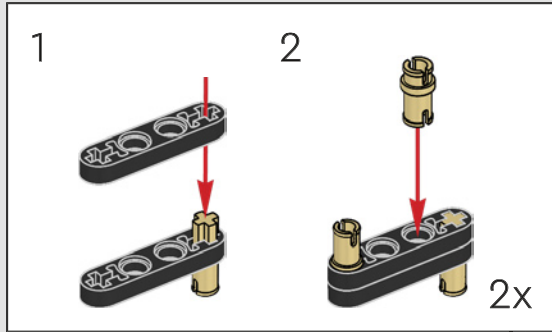
293

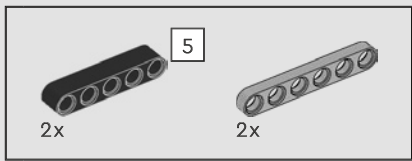




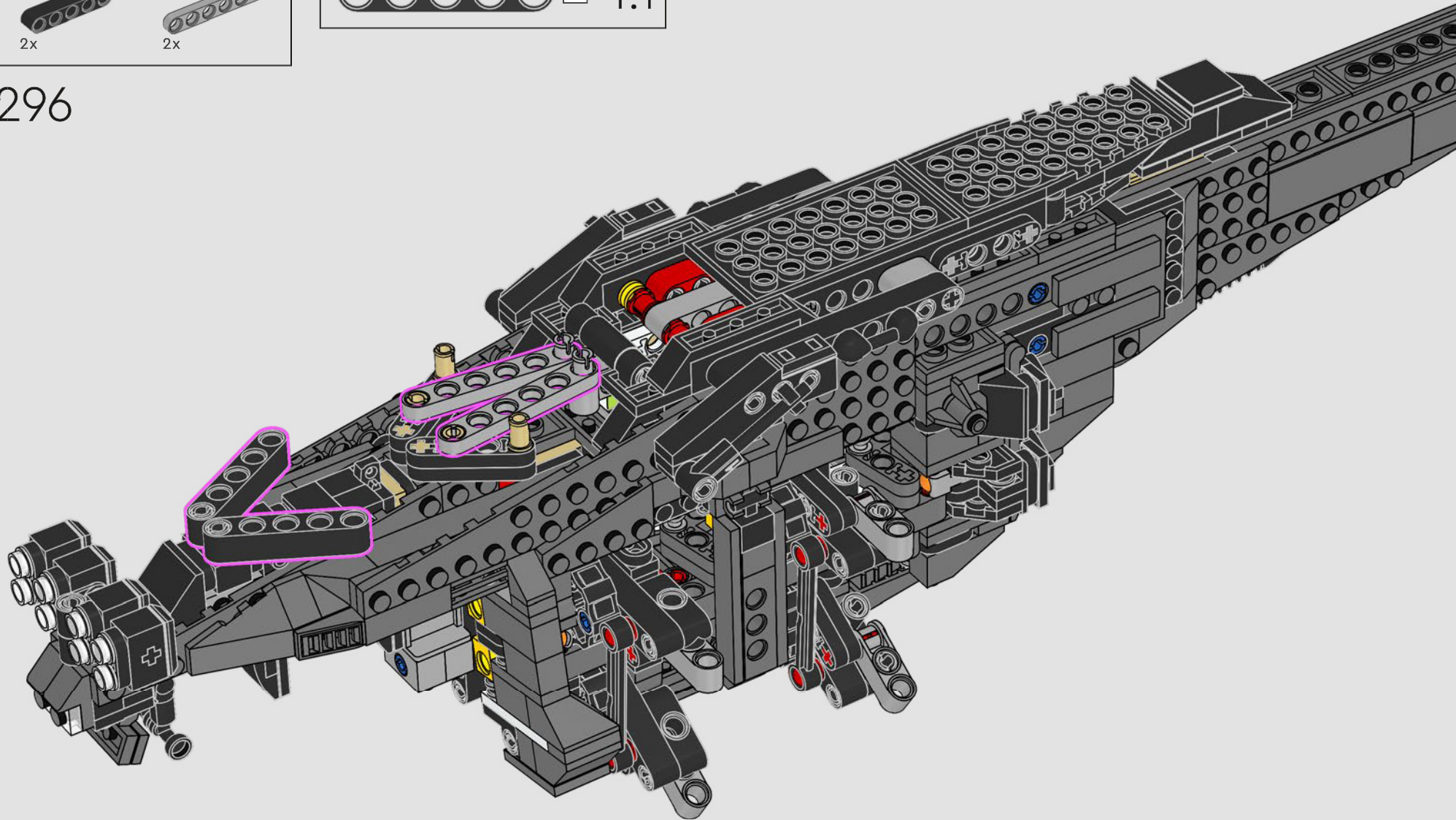


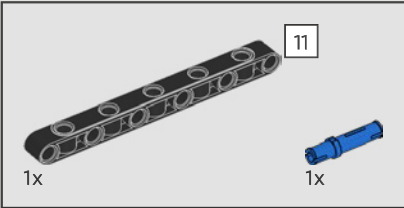
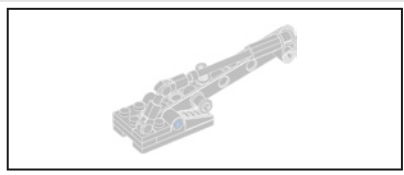
295



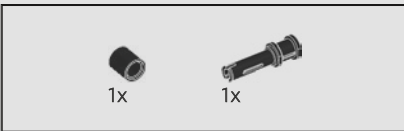
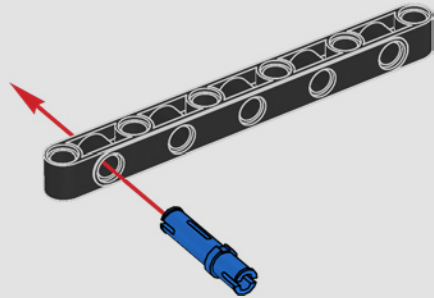


296

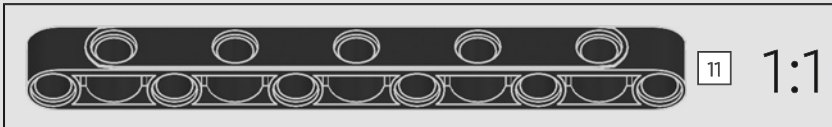
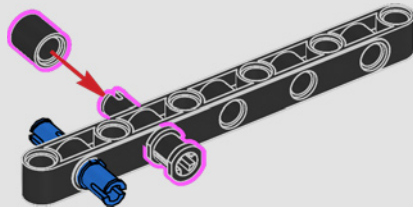




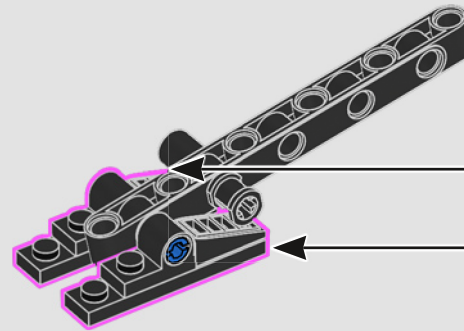
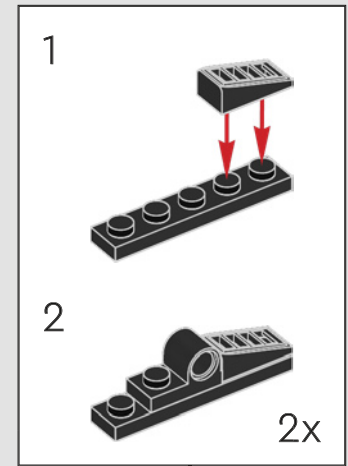
297

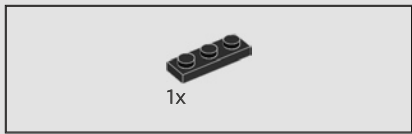


298

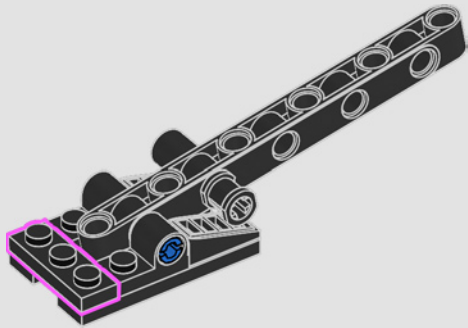


299

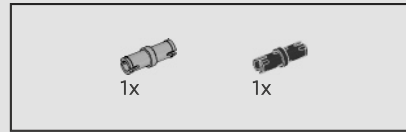
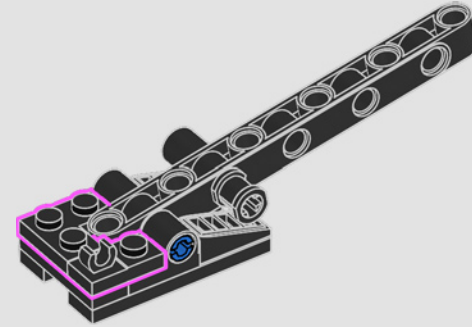




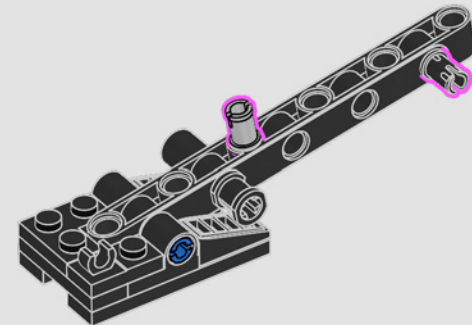
300

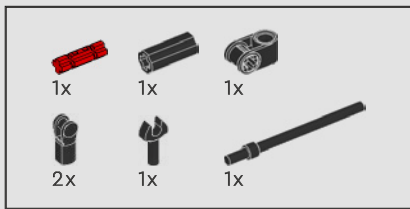


301

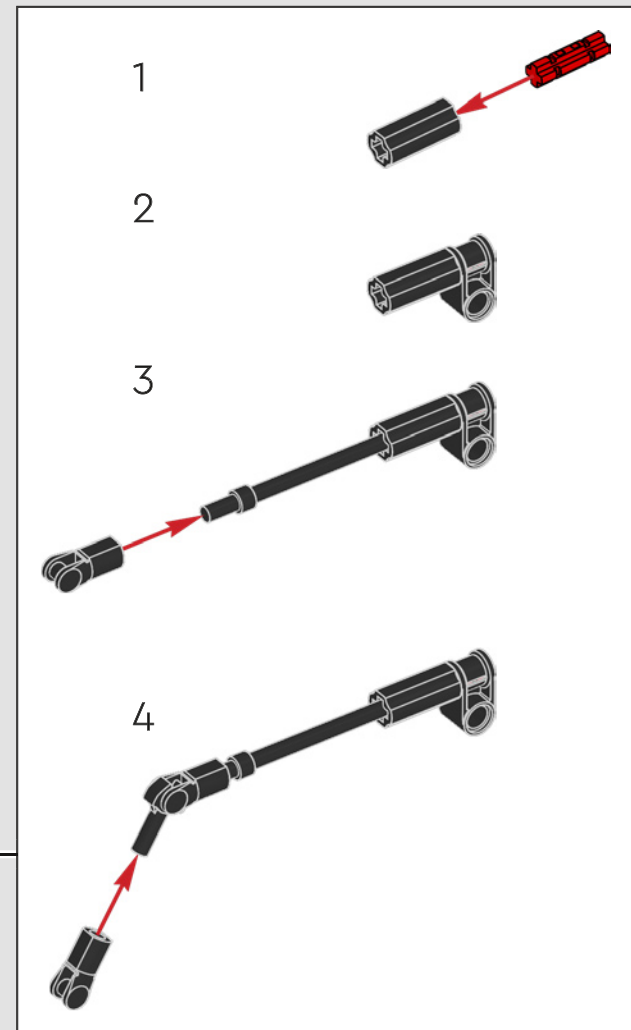
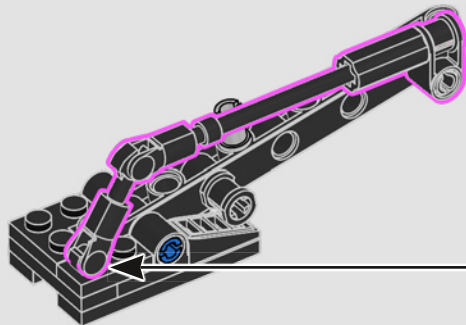


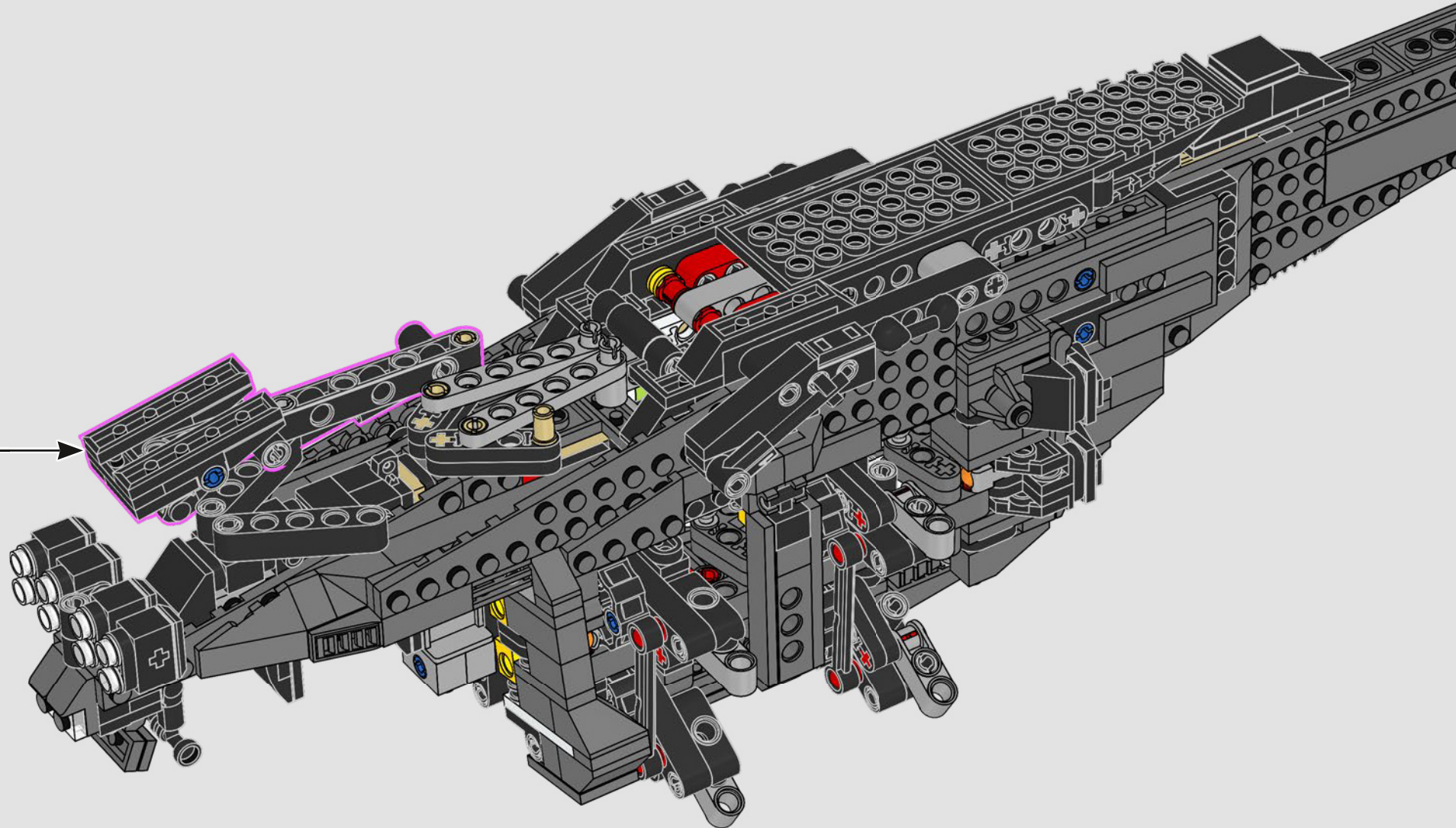
302

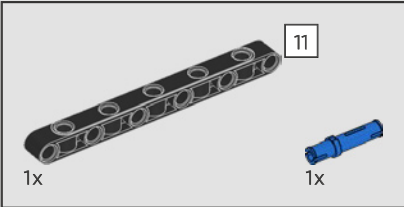
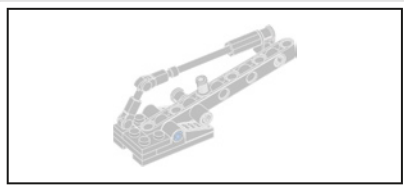




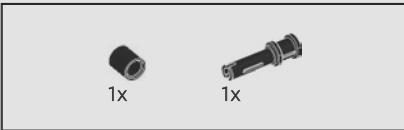
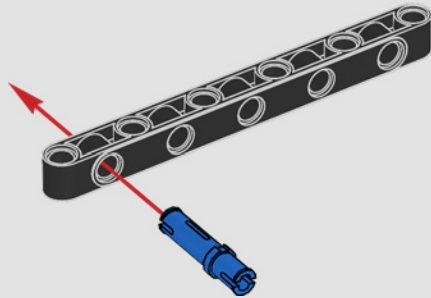
303



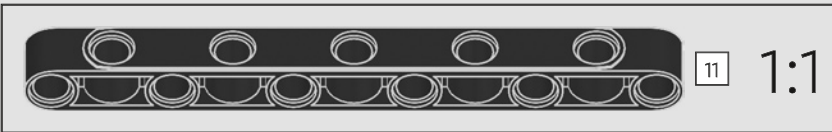
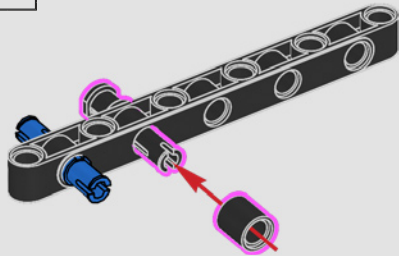




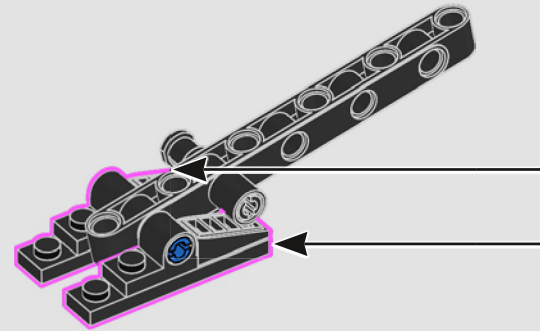
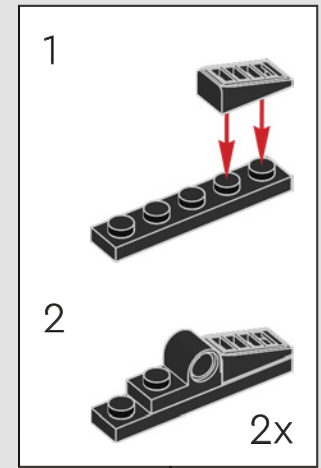
305

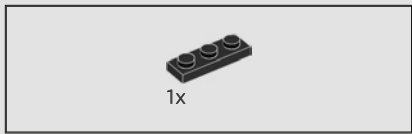


306

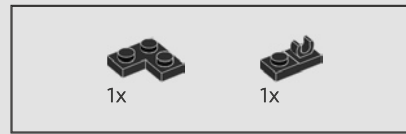
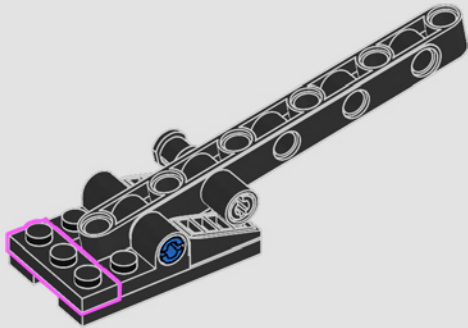


307

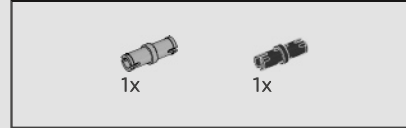
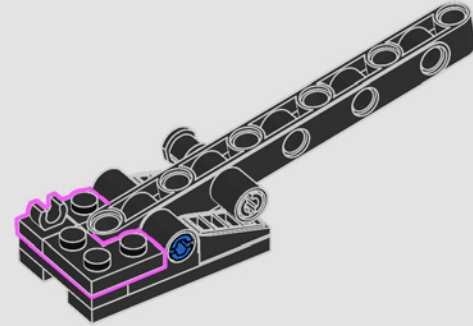




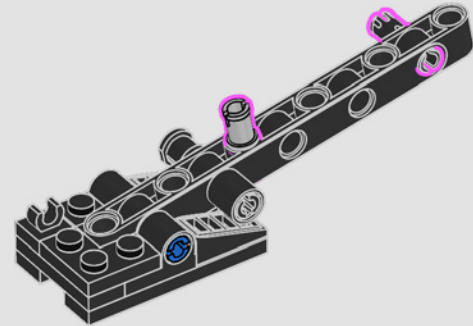
308

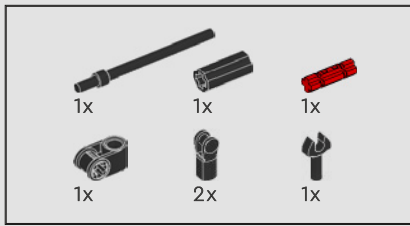


309

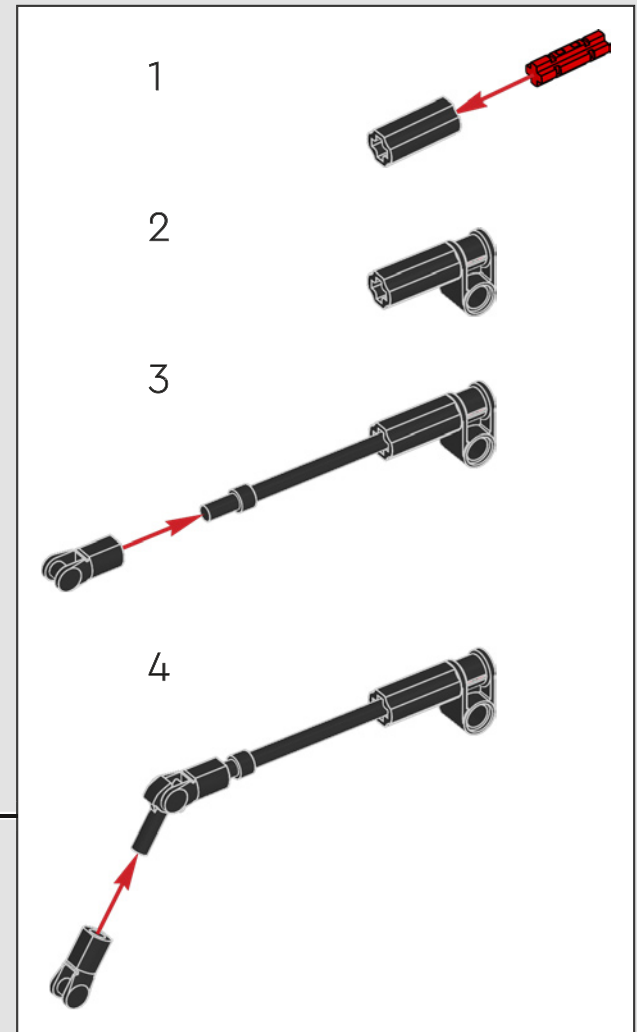
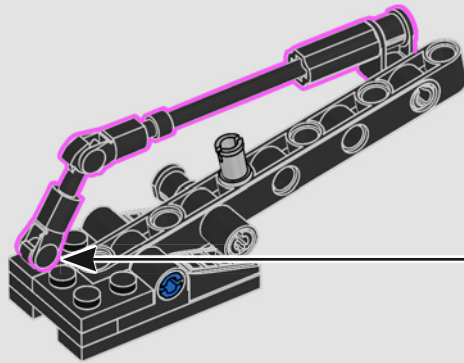


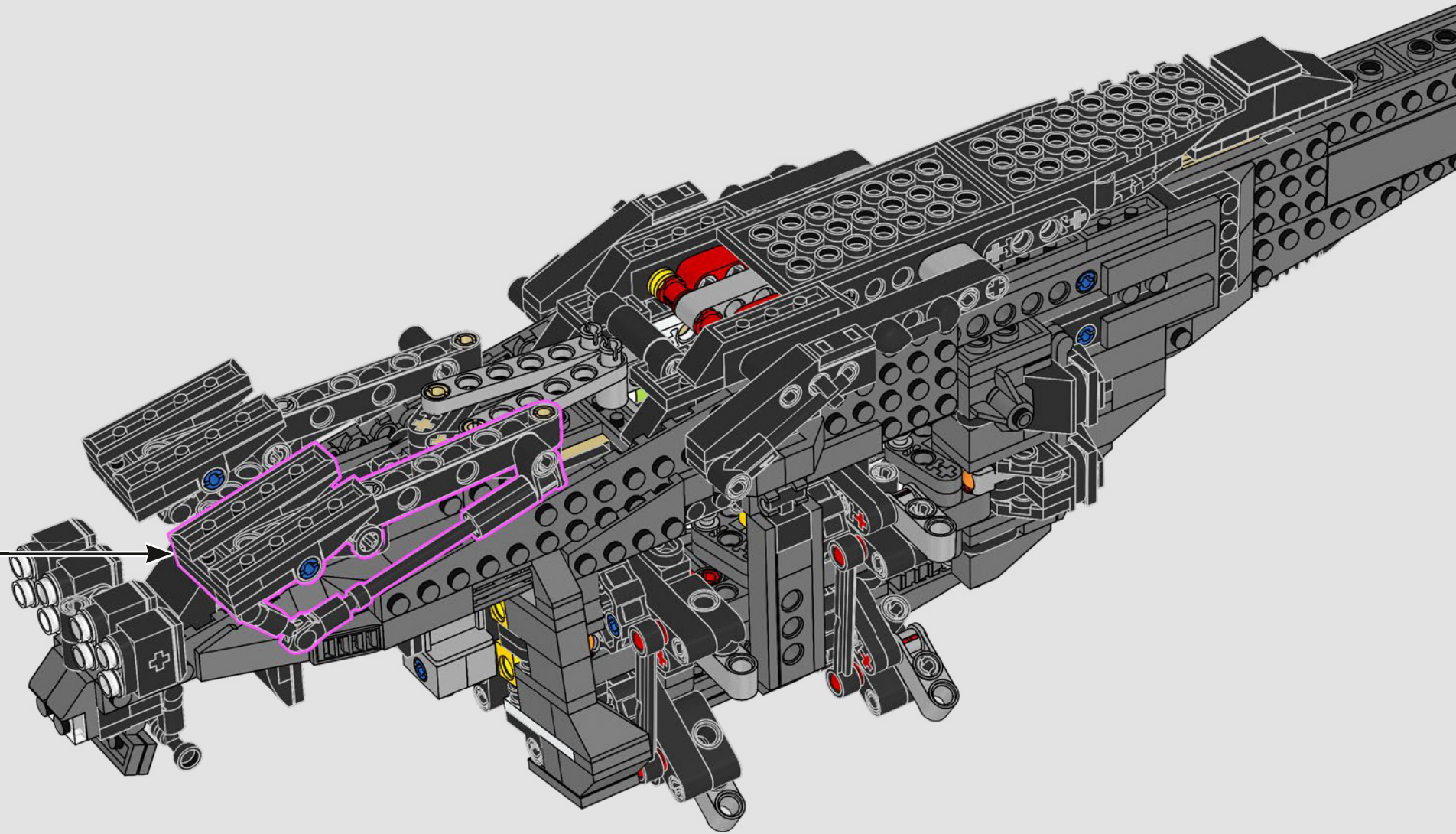
310



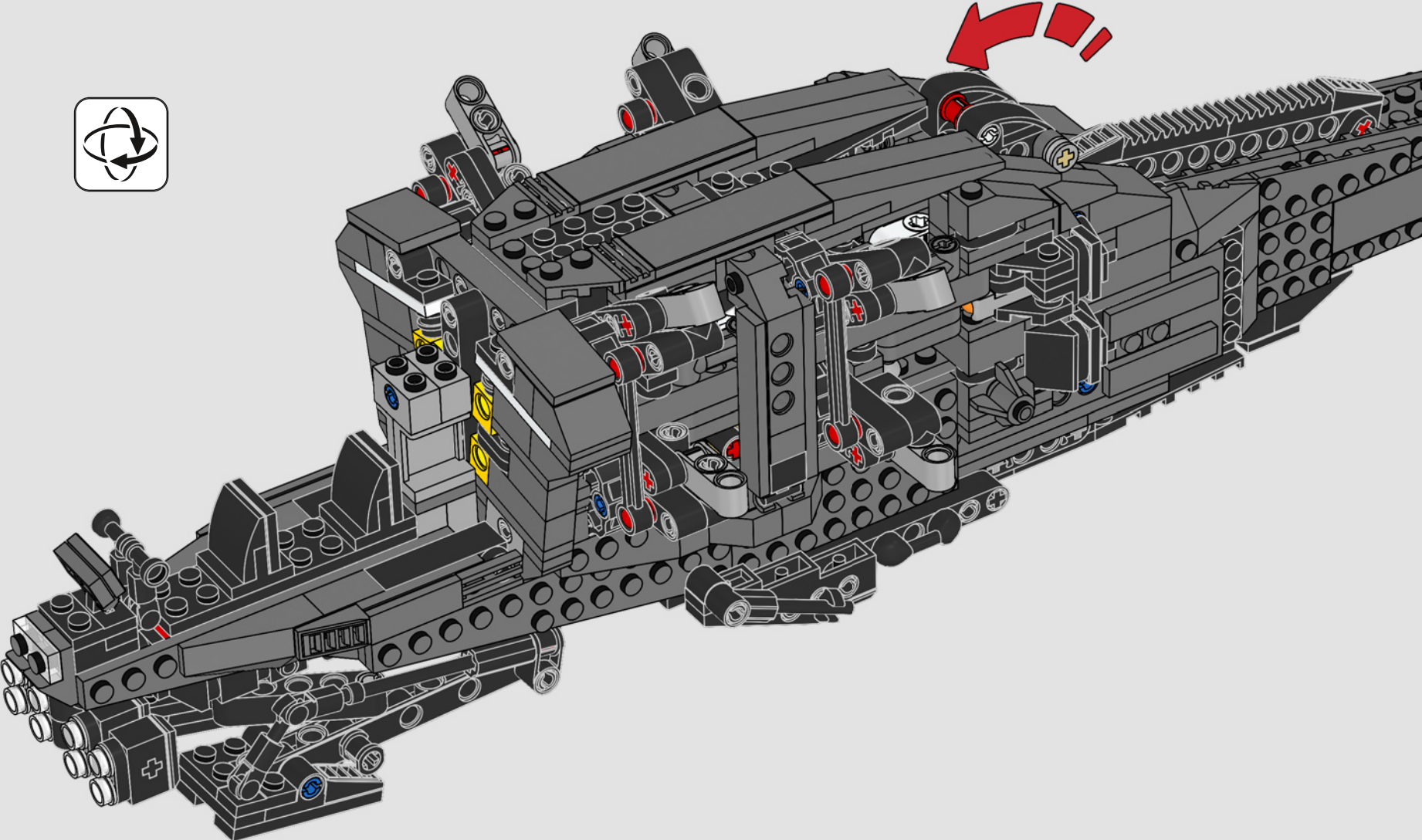


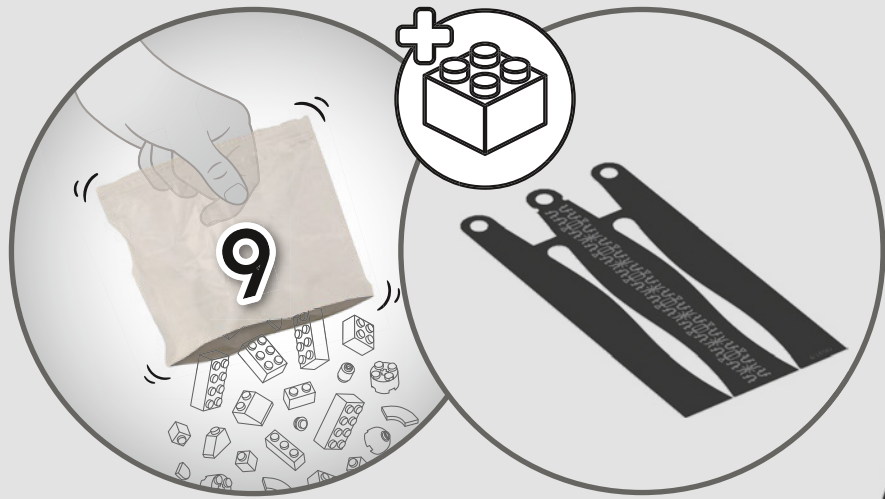
311



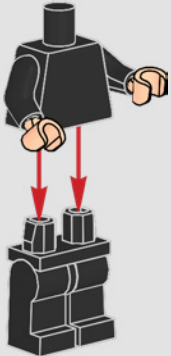


313

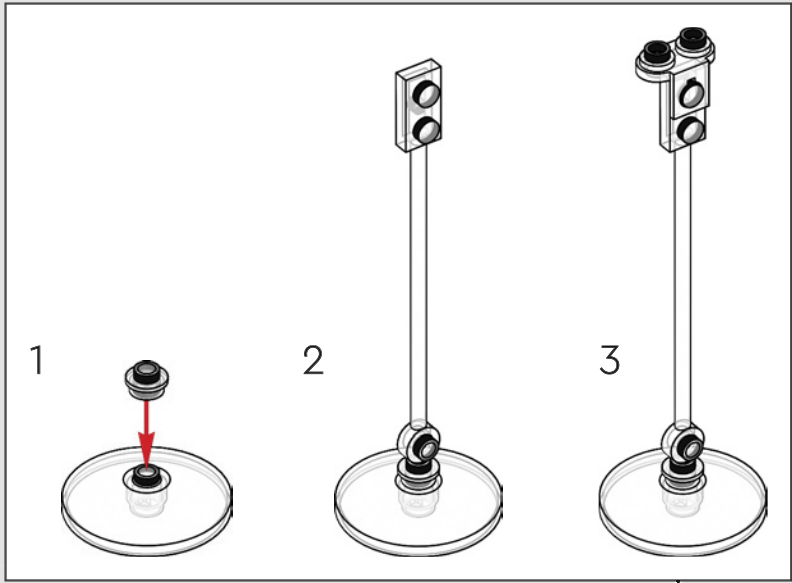
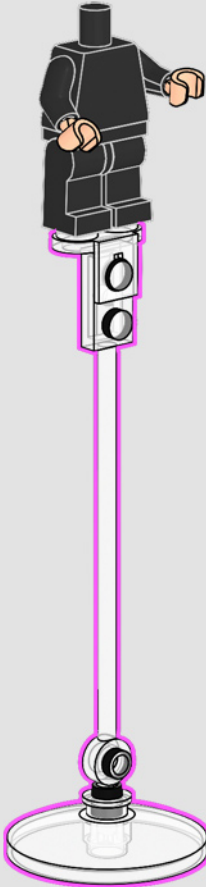




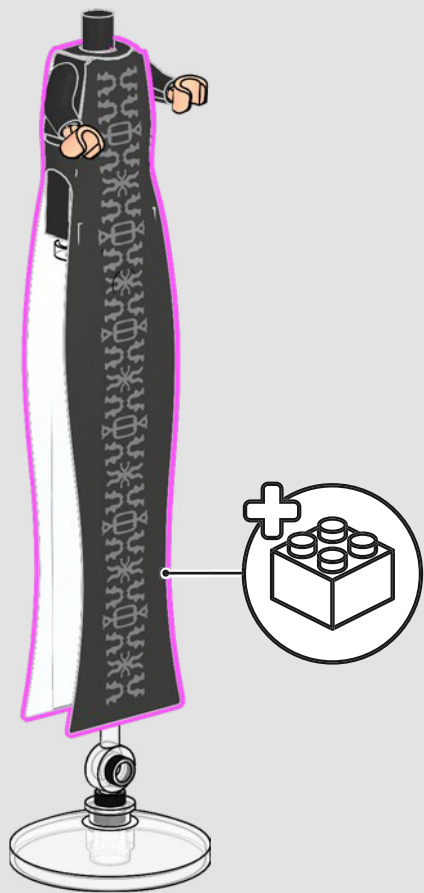
1



2

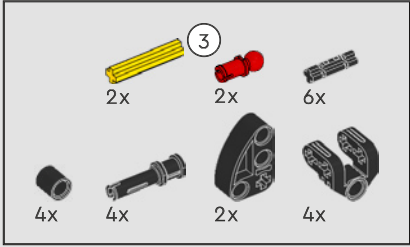
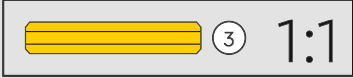
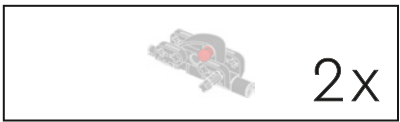


3



4



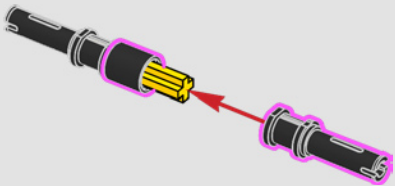


314

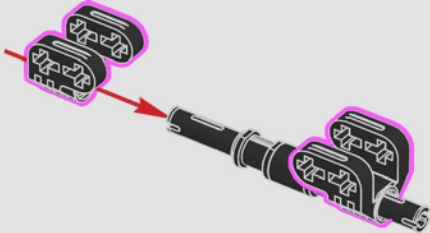
1



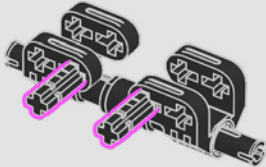
2



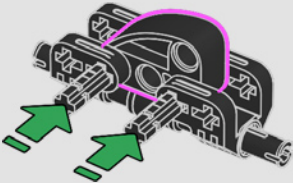
3



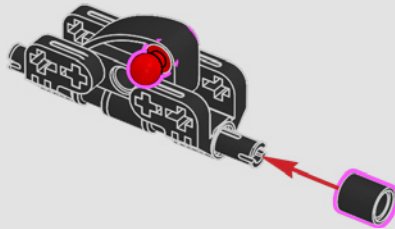
4



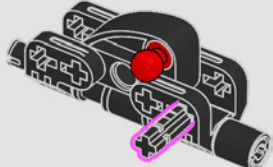
5



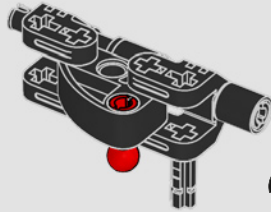
6



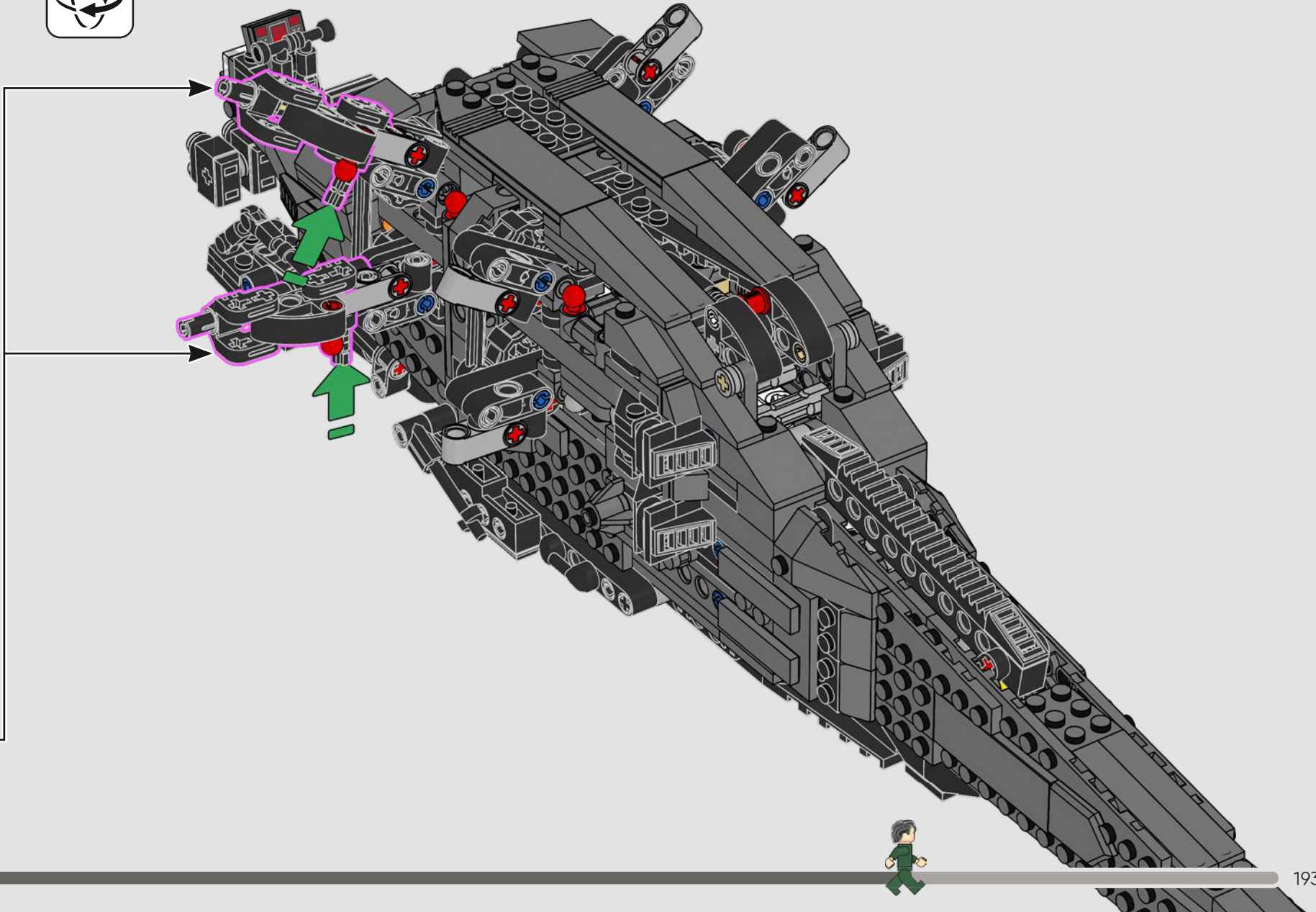
7

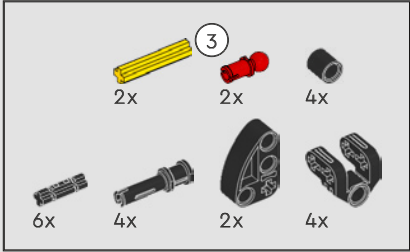
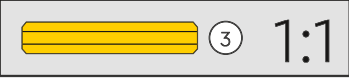
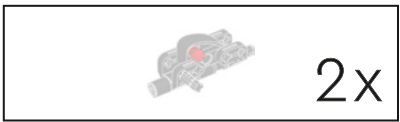


8



2x



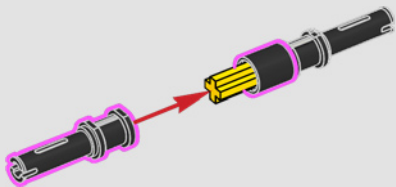


315

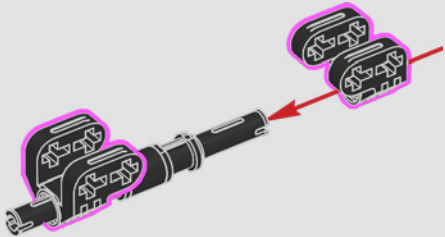
1



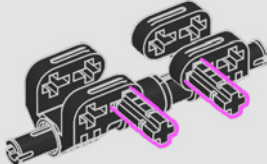
2



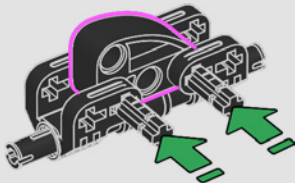
3



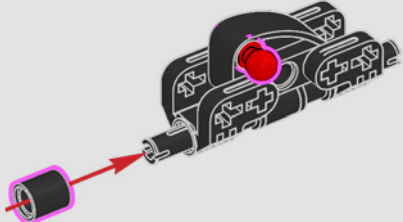
4



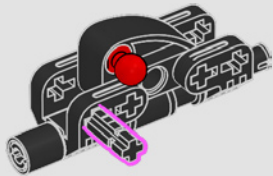
5



6

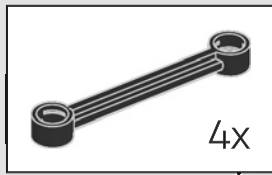
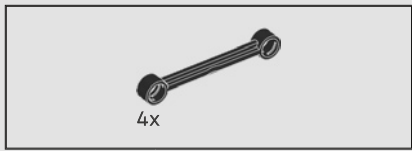


7



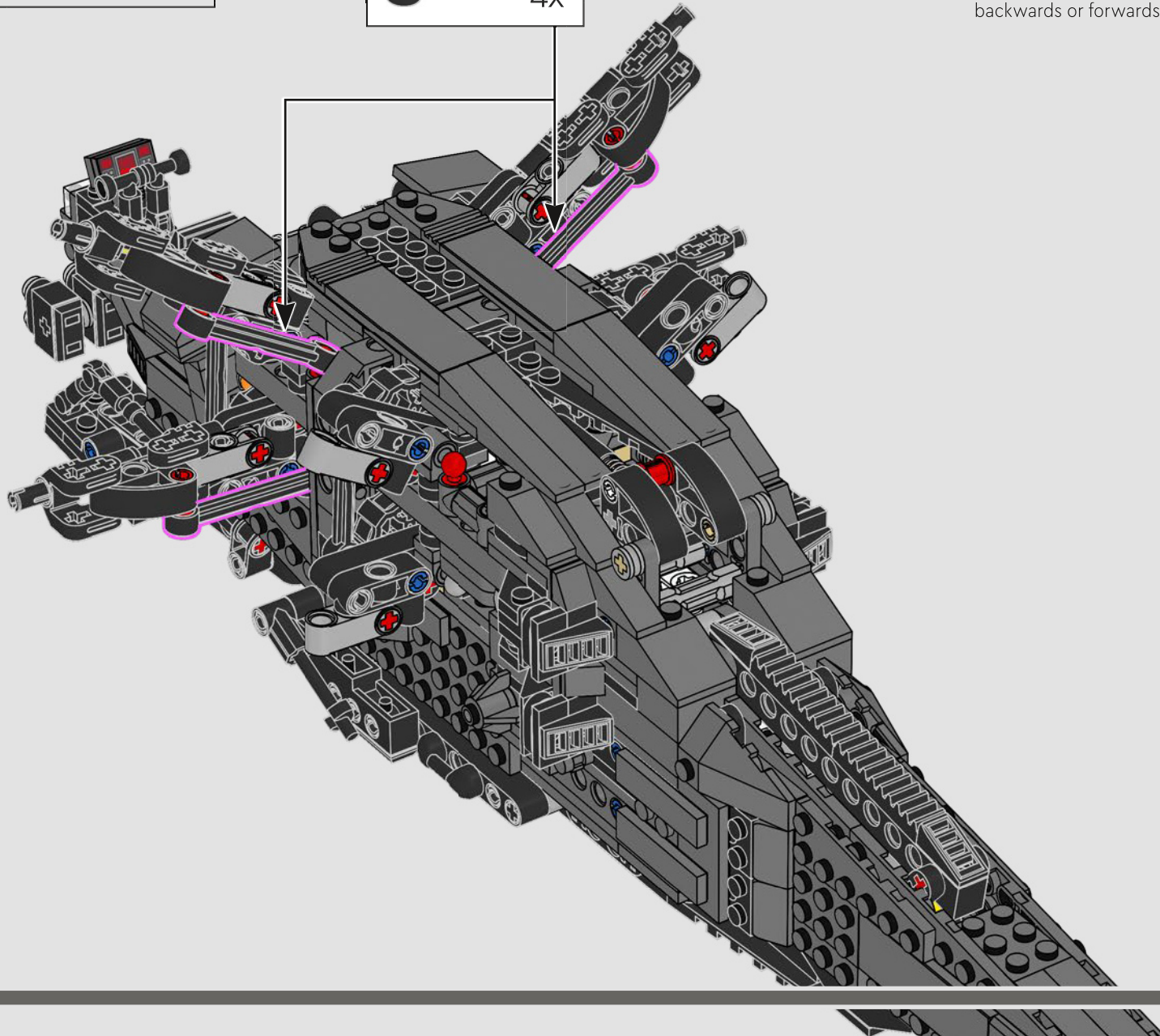
2x

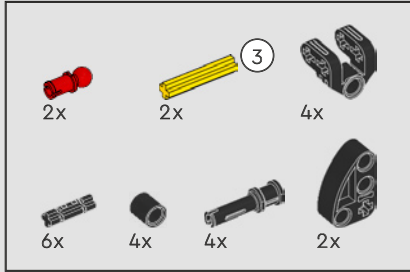
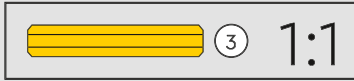
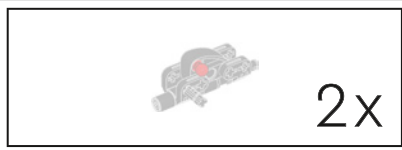




316

The track rod connections to the core of the model ensure that as the wings flap up and down, they are not pulled backwards or forwards by the wing-opening mechanism.



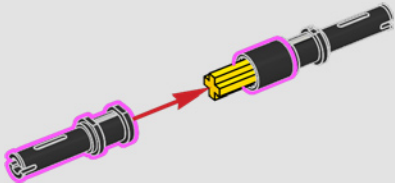


317

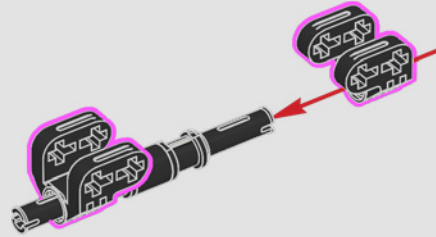
1



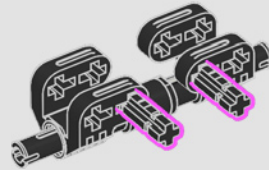
2



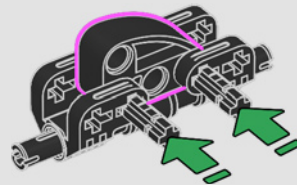
3



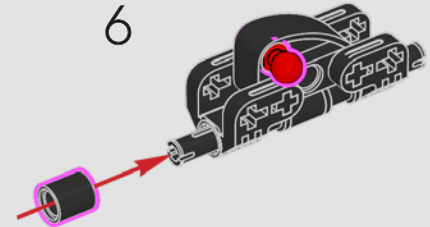
4



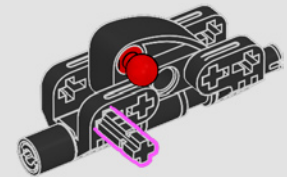
5



6

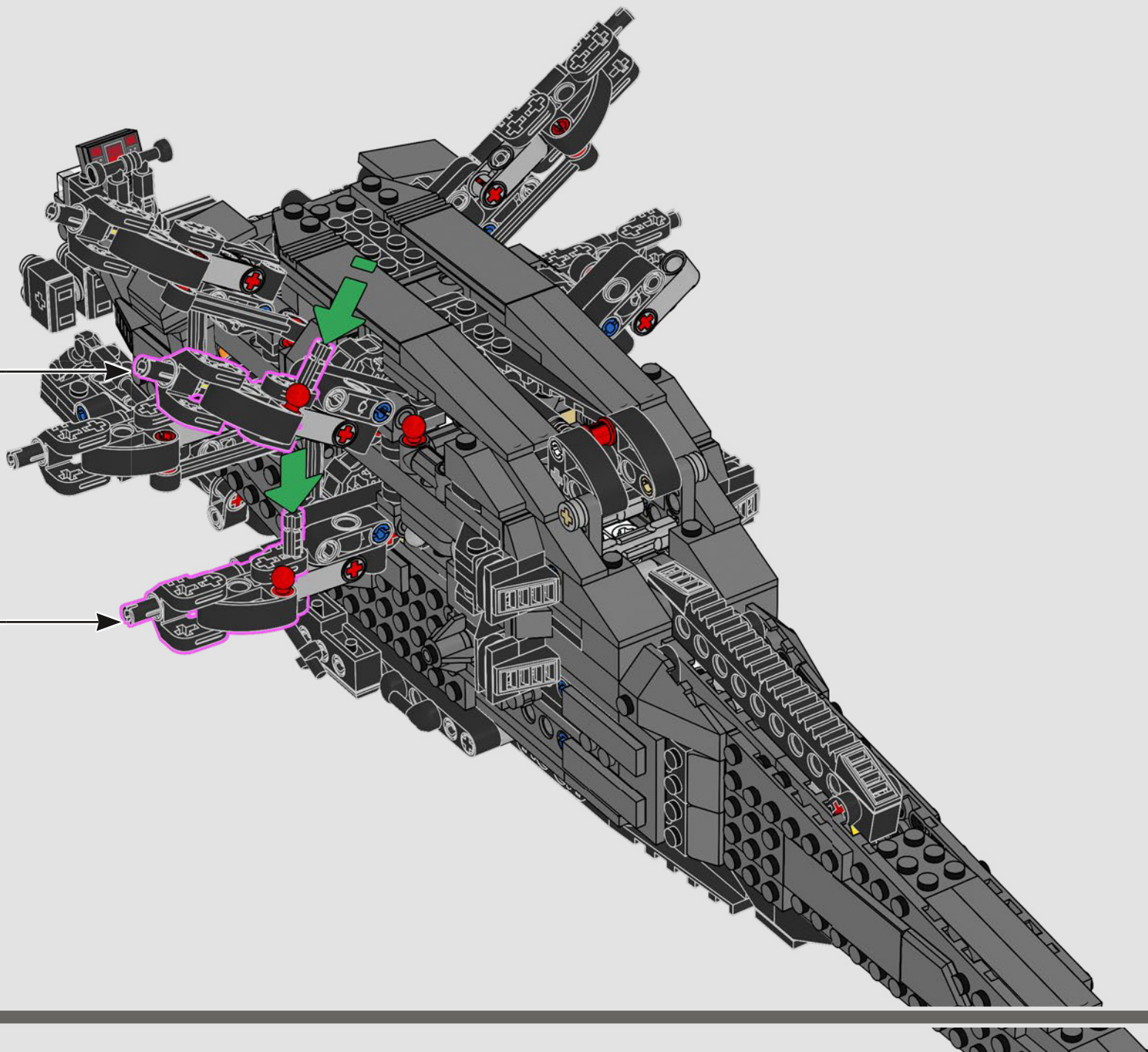


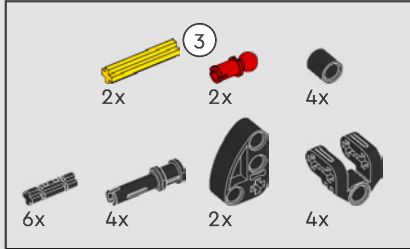
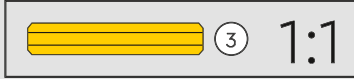
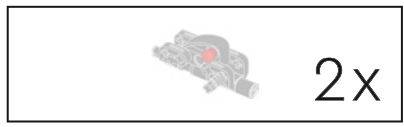
7



2x





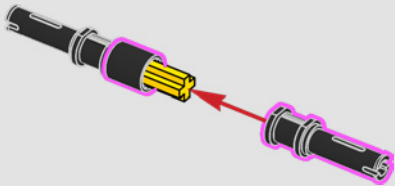


318

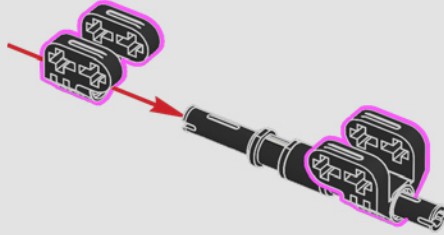
1



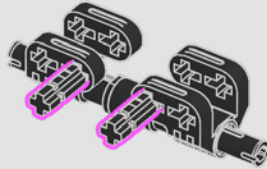
2



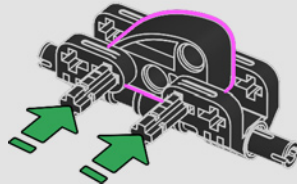
3



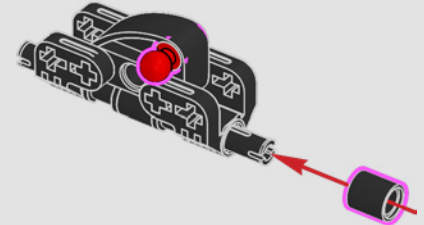
4



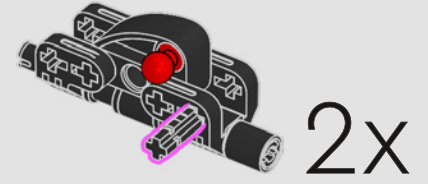
5

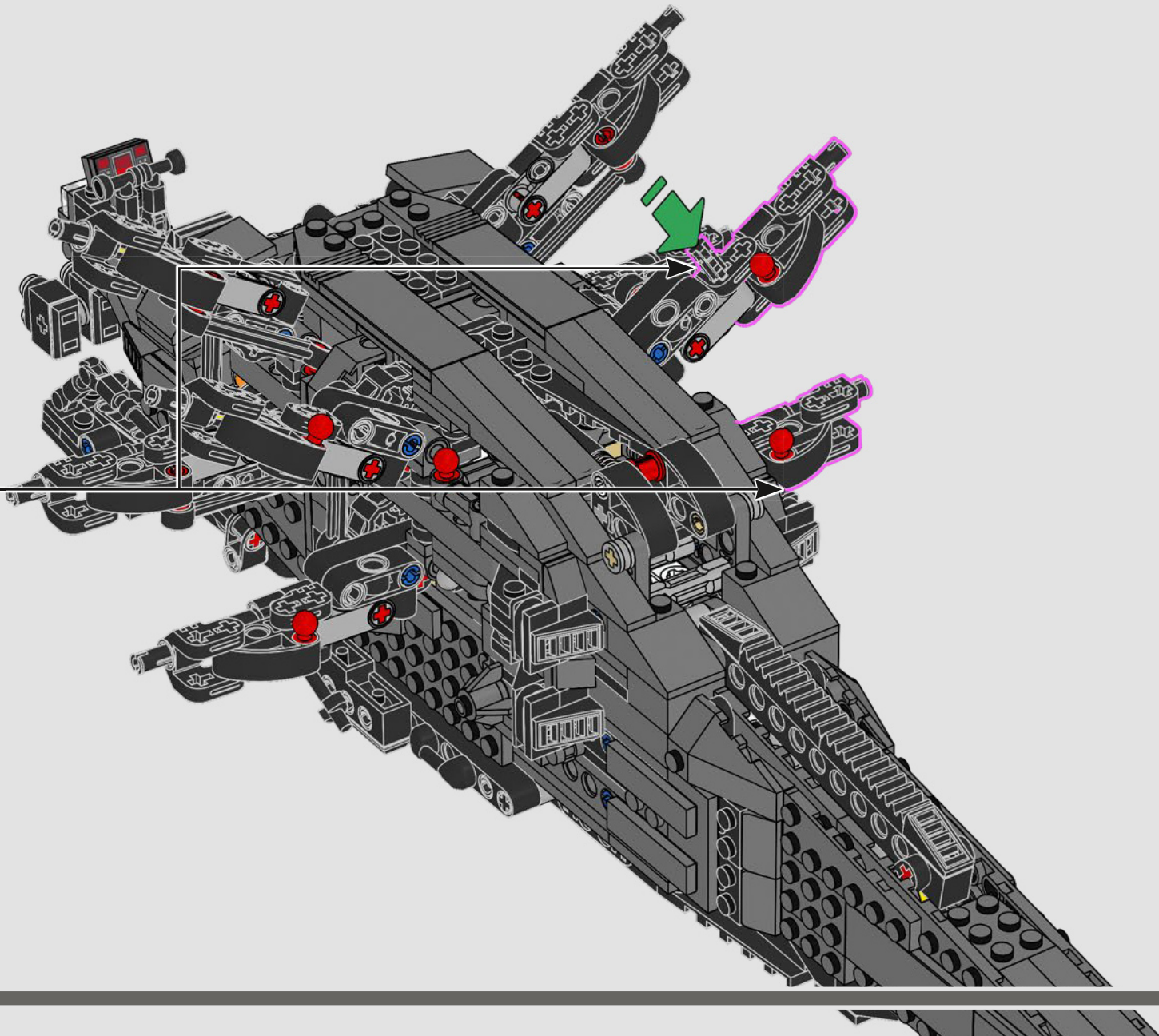


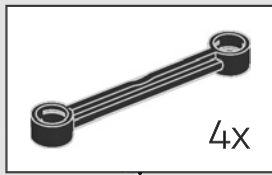
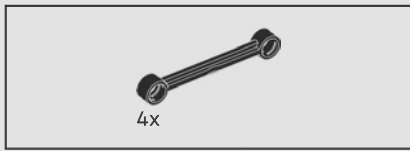
6



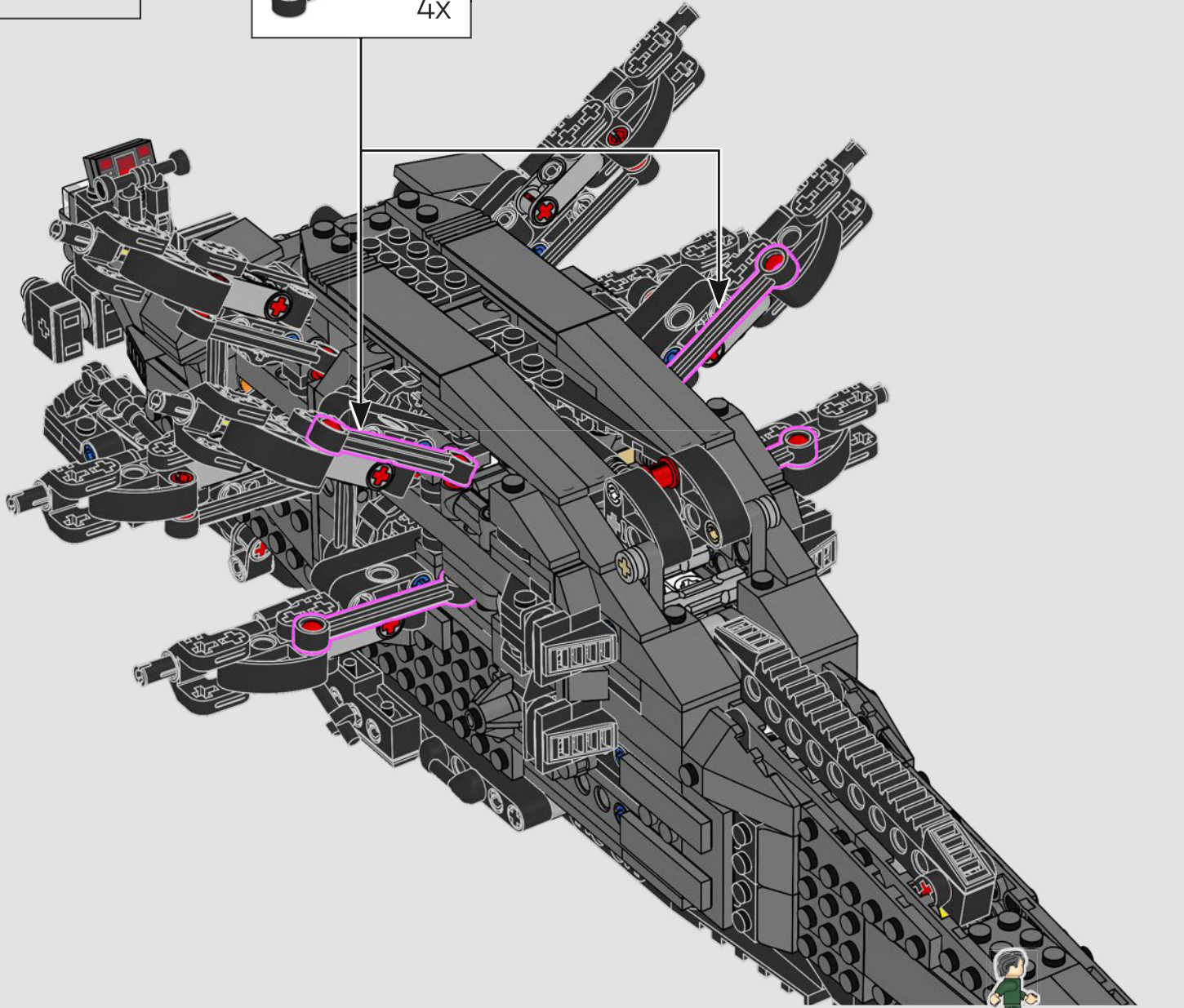
7

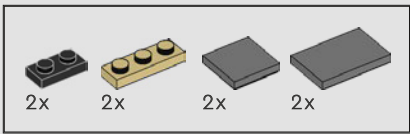




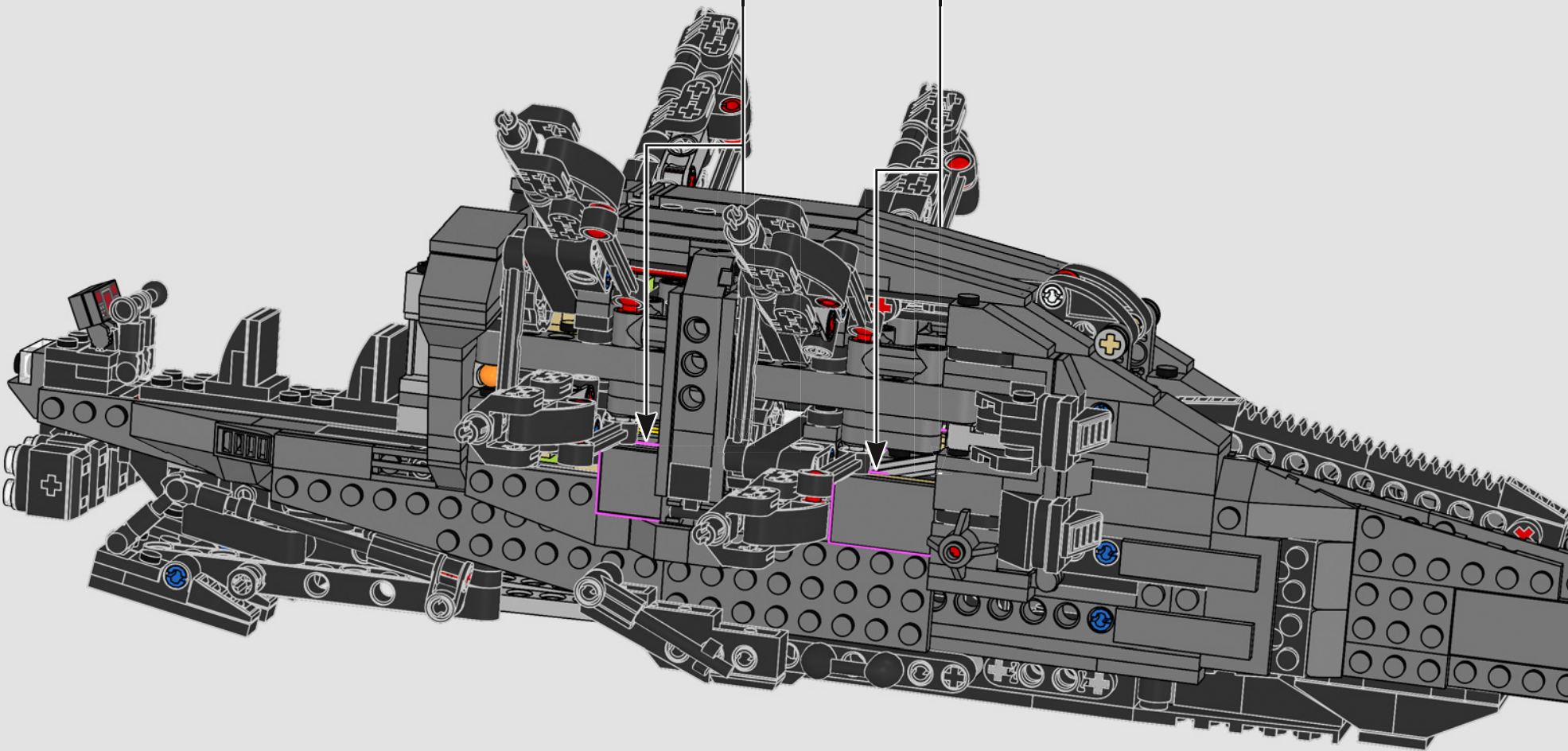
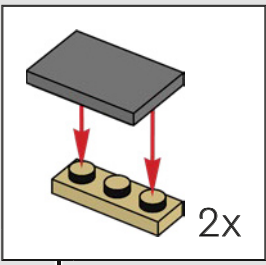
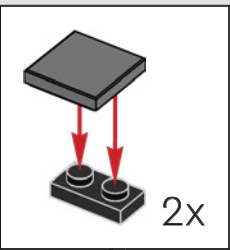


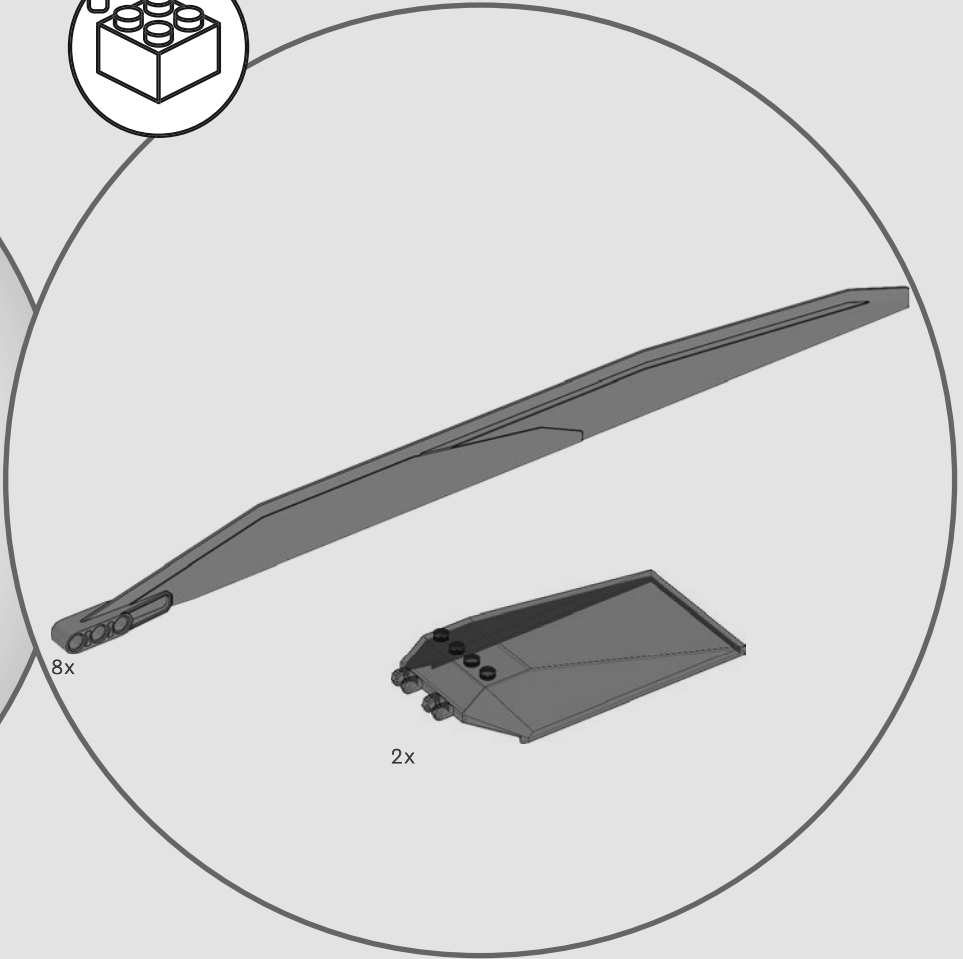
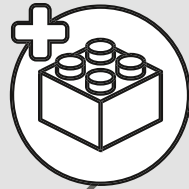
319

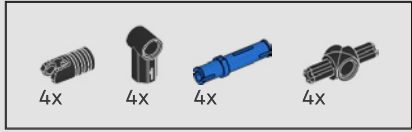
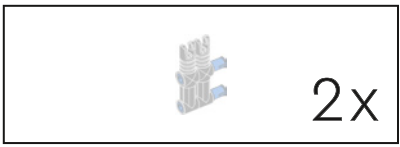




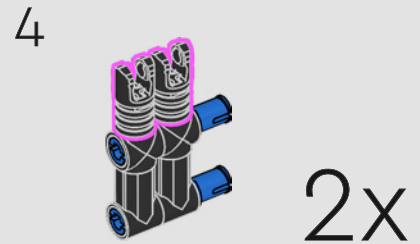
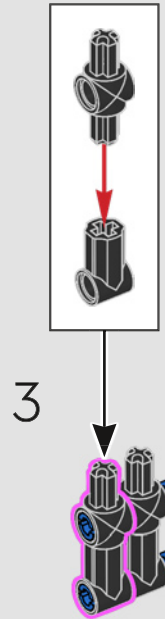
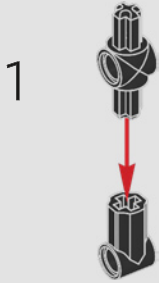
320

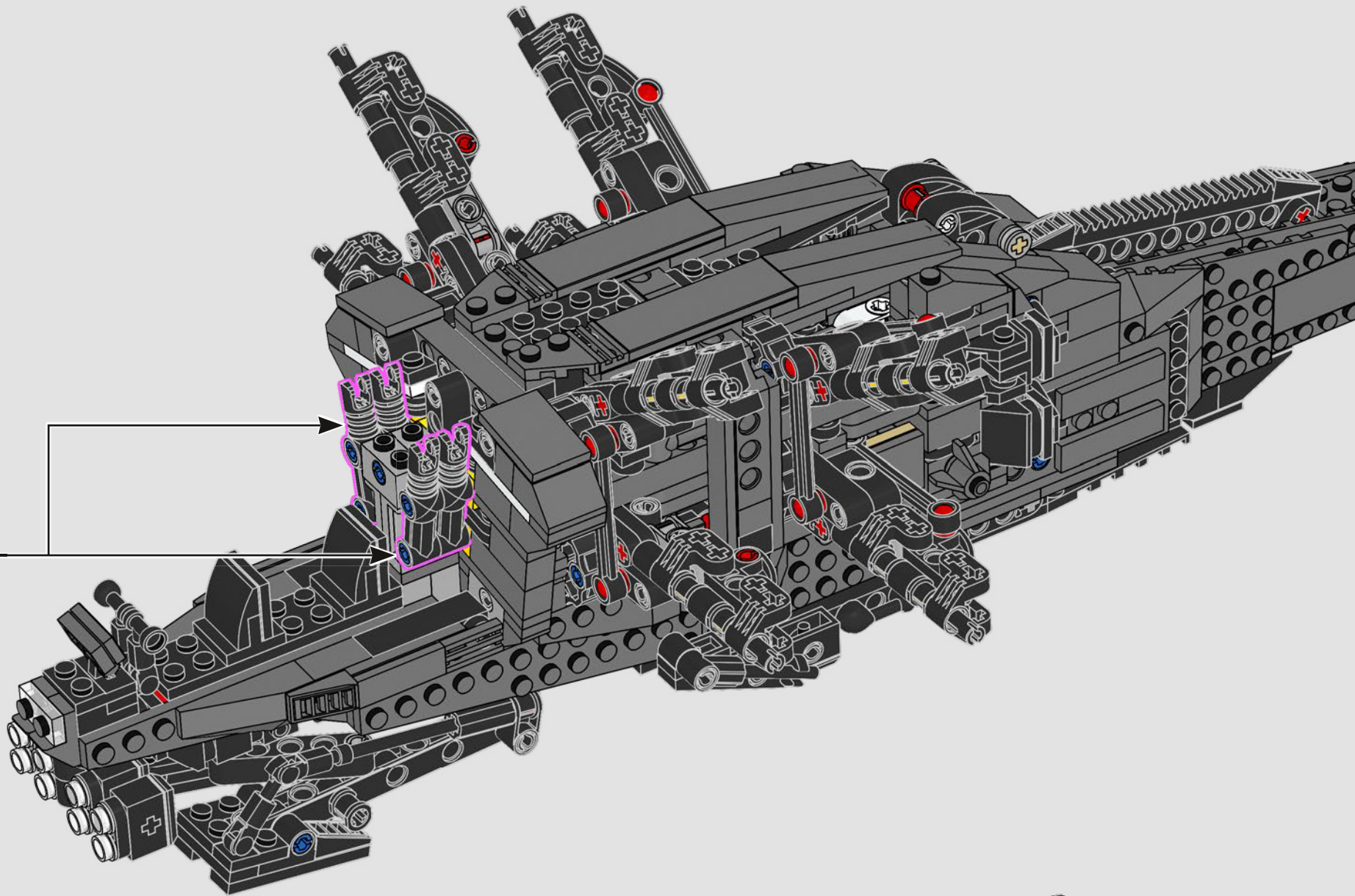


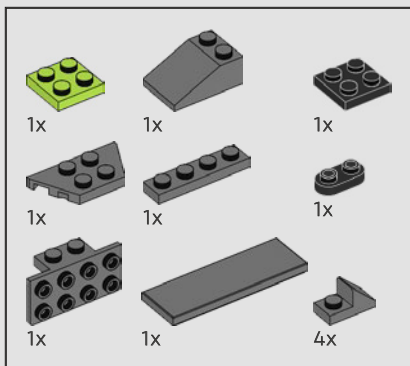




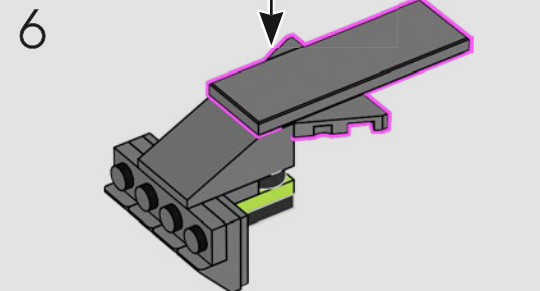
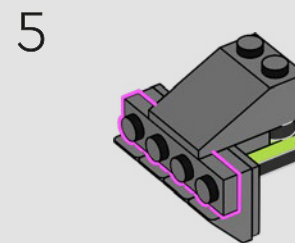
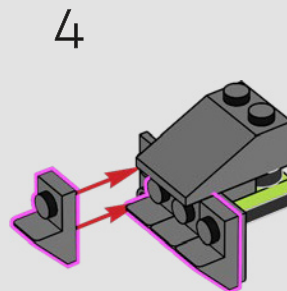
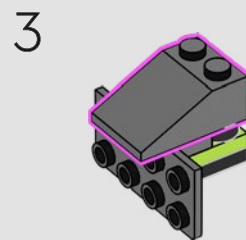
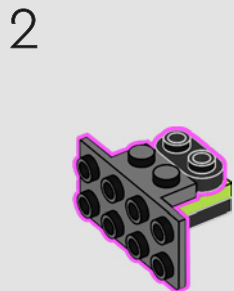
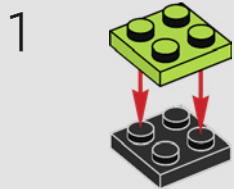
321

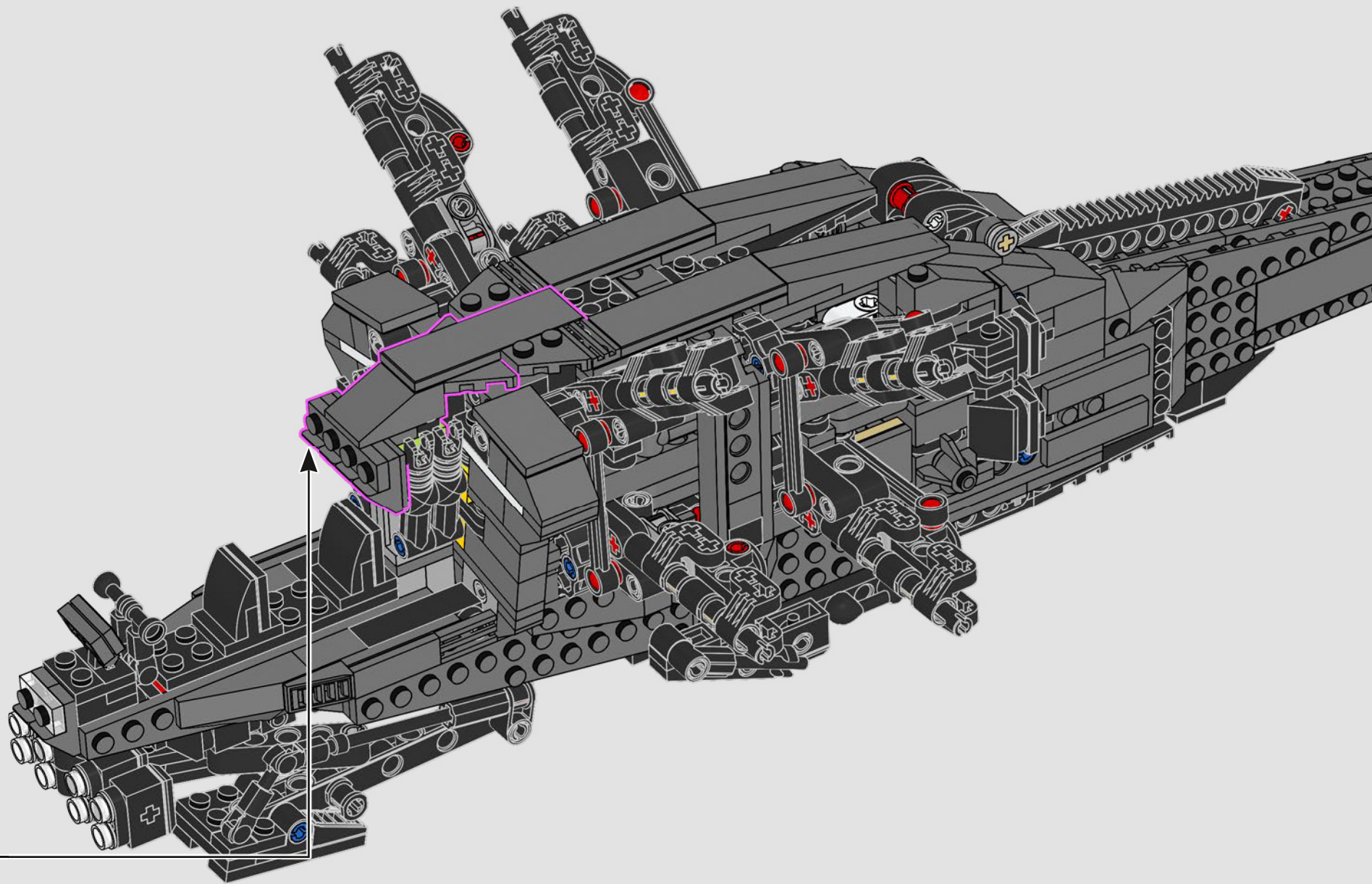


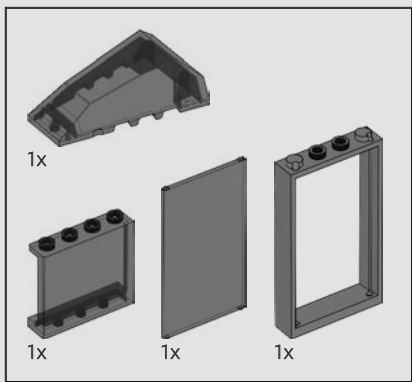




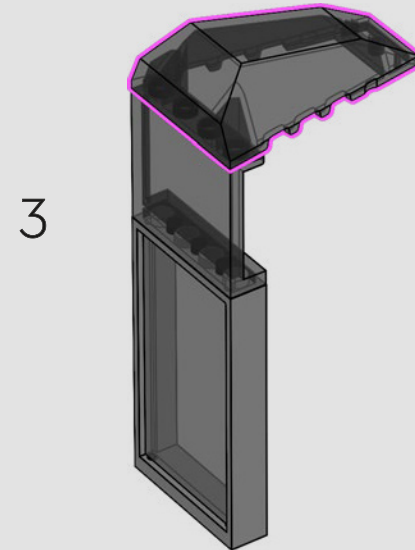
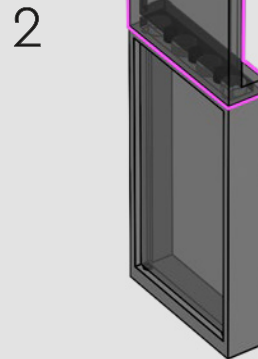
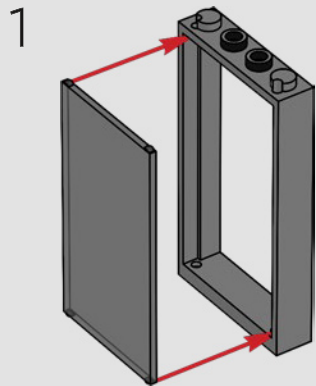
322





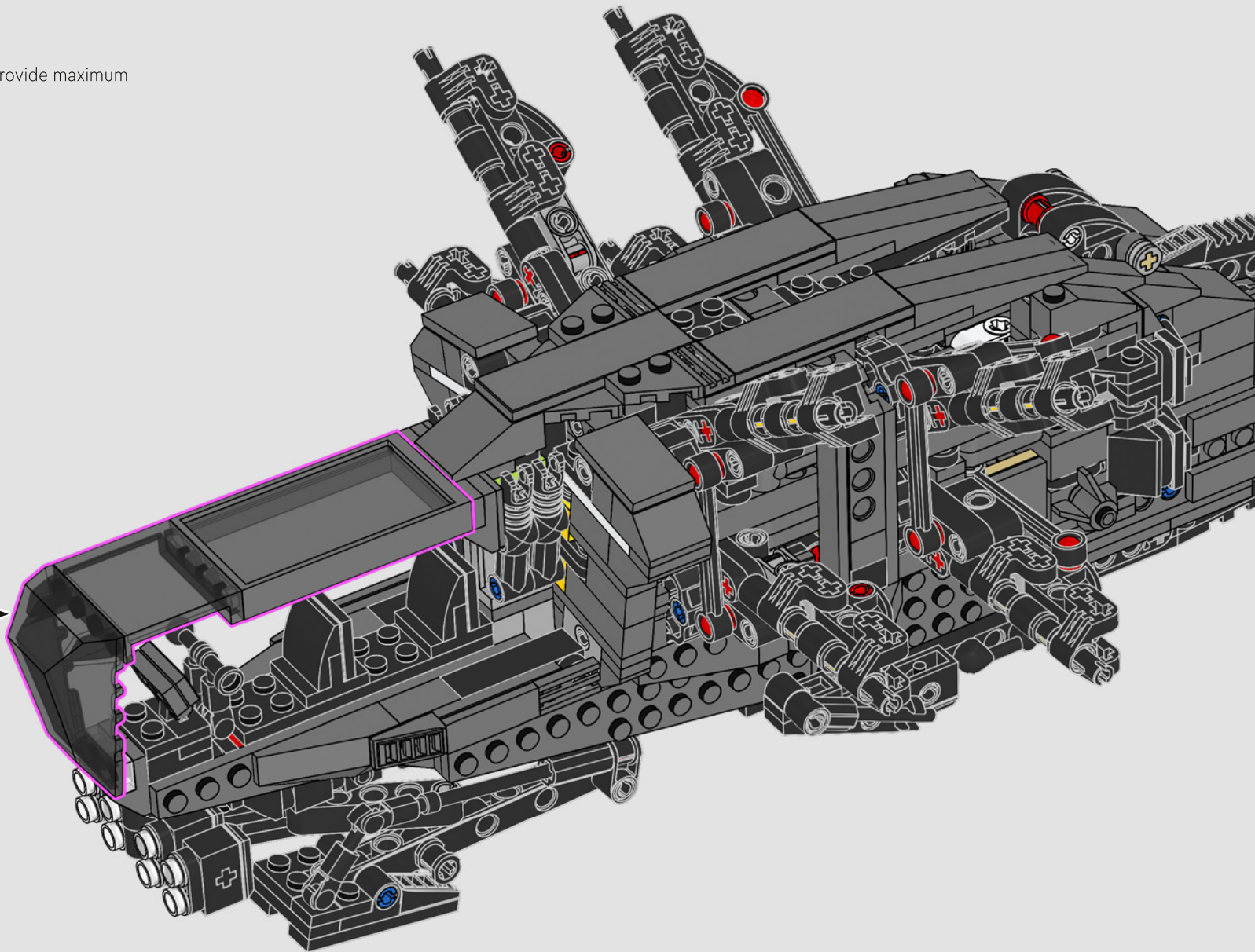


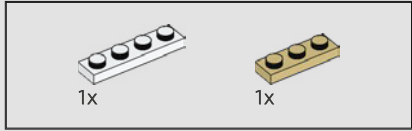
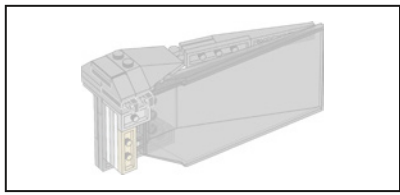
323



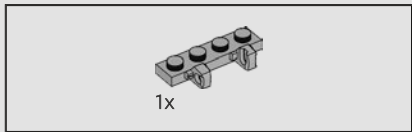
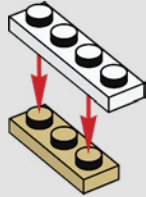


The cockpit is made very open to provide maximum visibility to the craft's pilot.

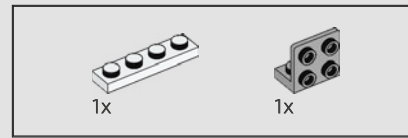
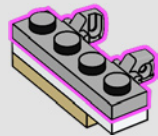




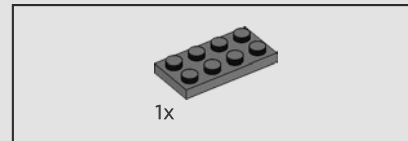
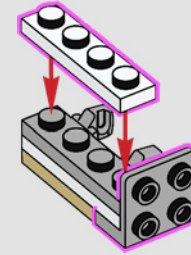
324



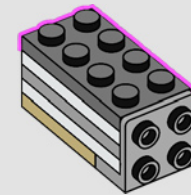
325

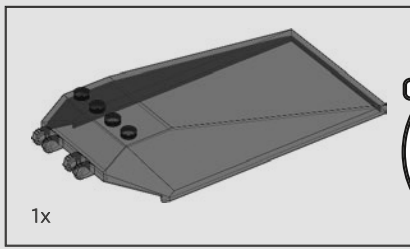


326

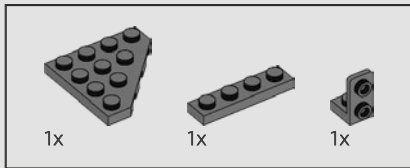
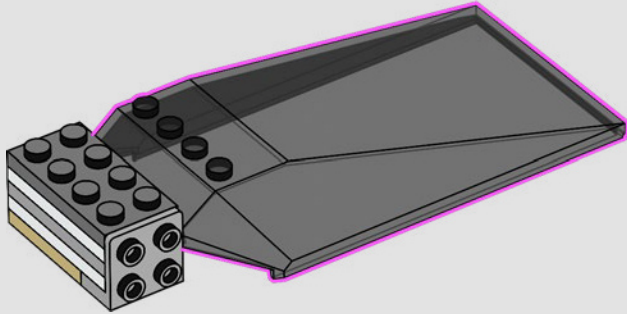


327

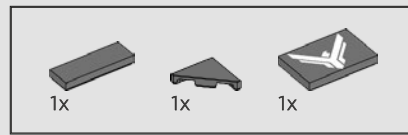
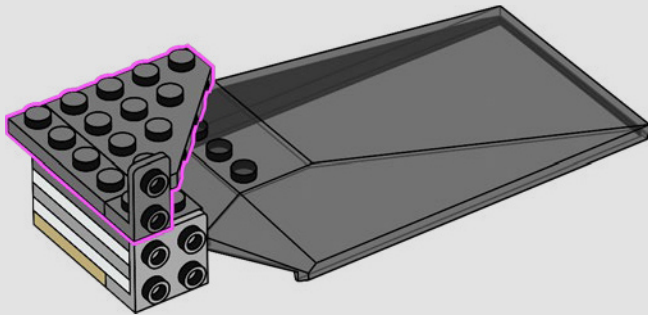




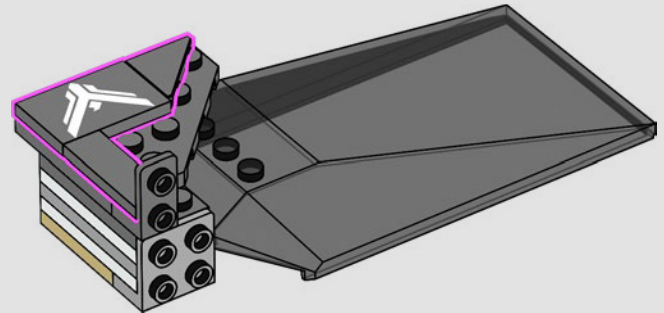
328

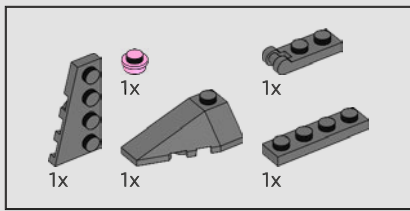


329

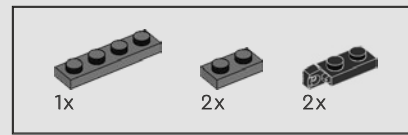
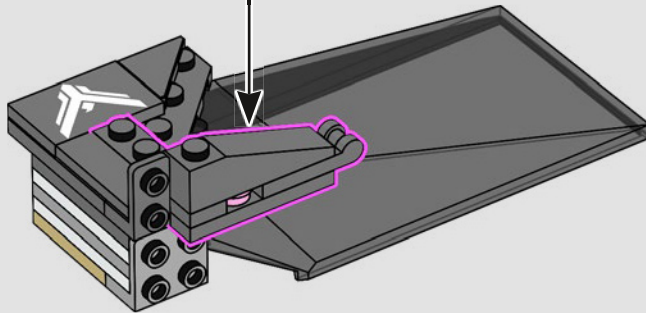
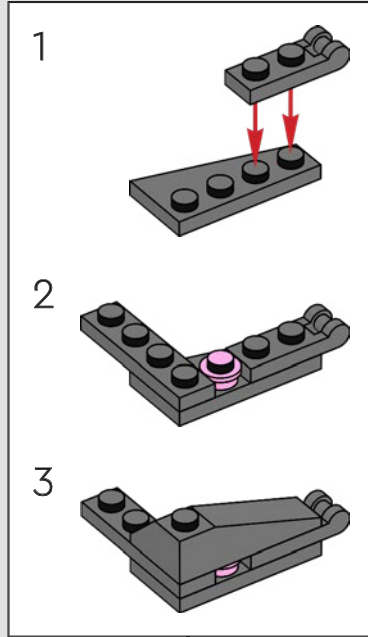


330

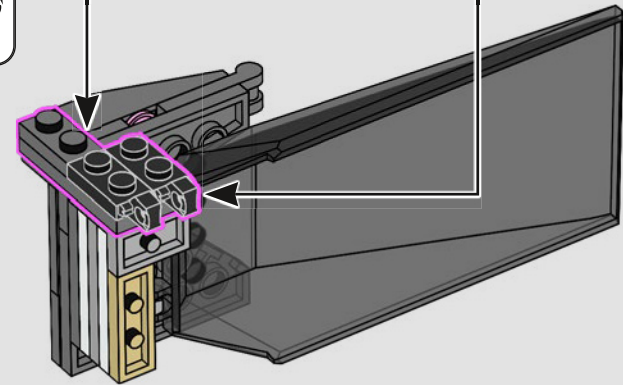
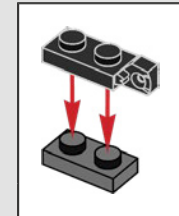
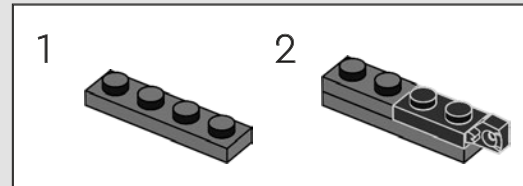


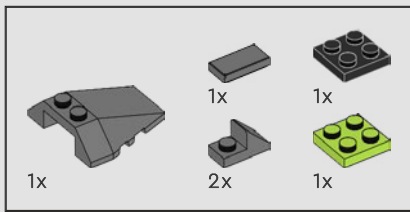


331

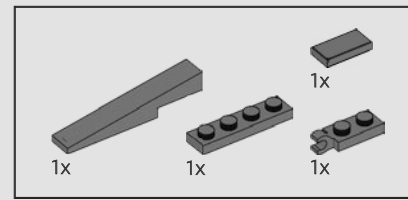
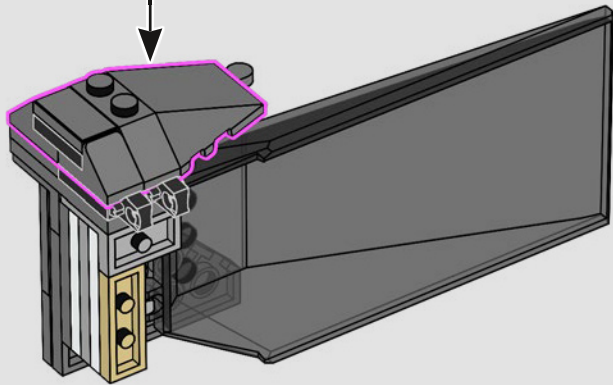
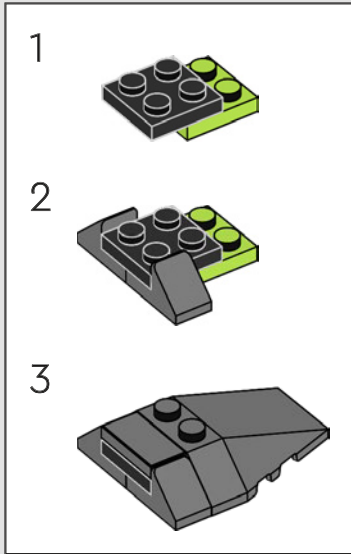


332

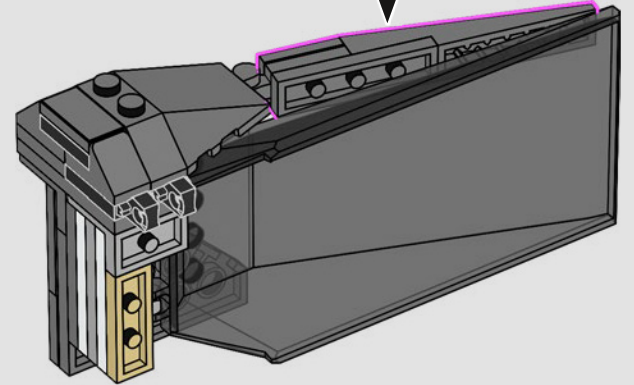
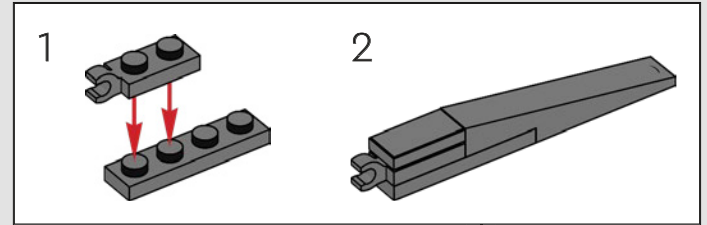




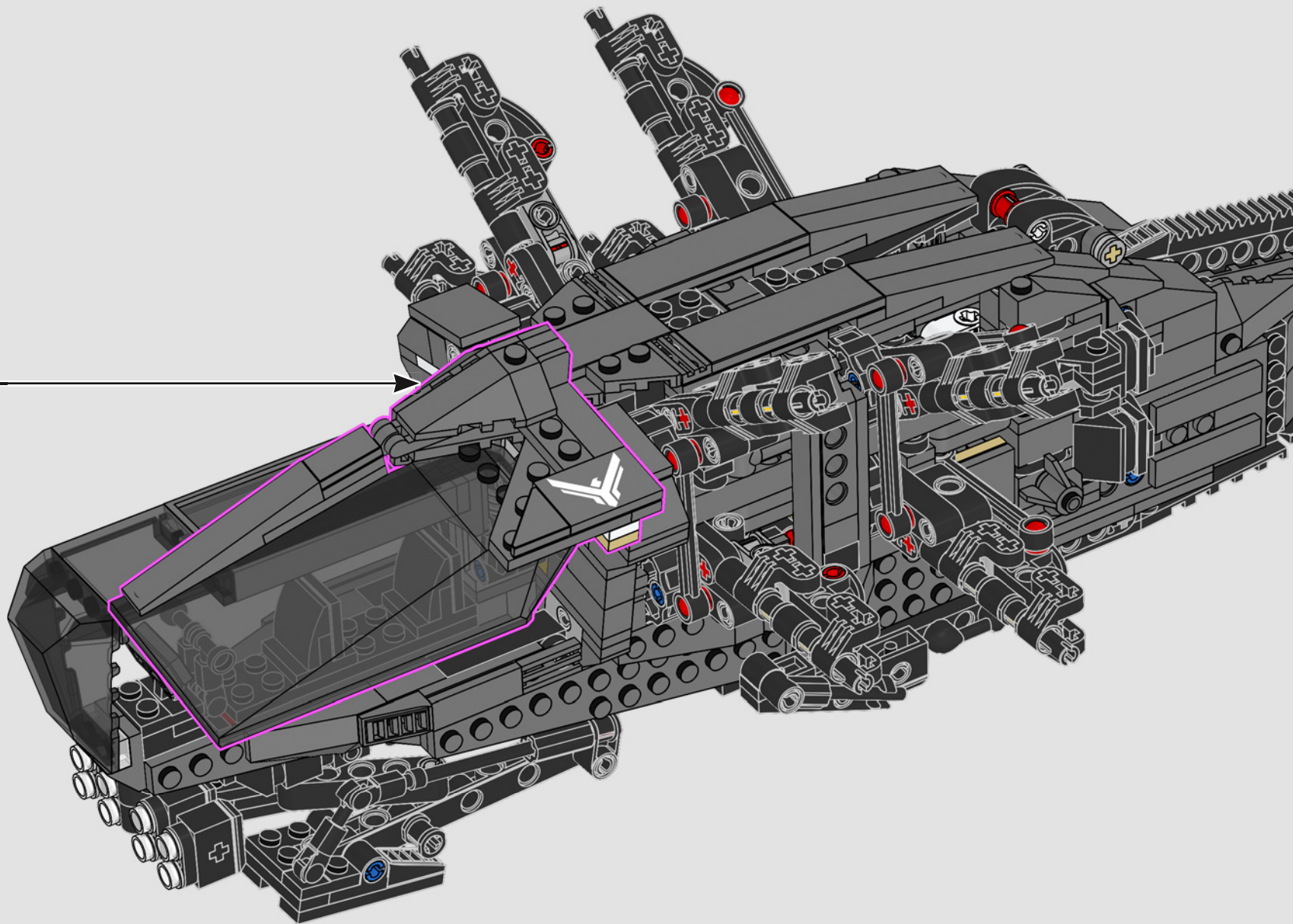
333

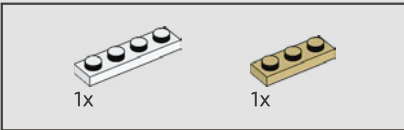
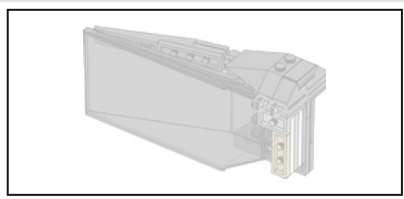


334

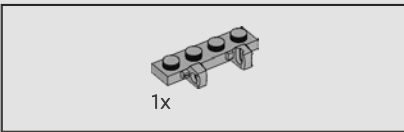
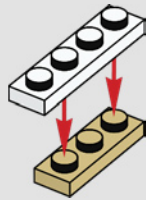


335

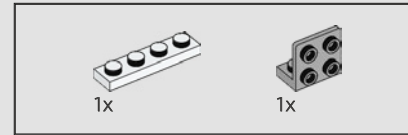
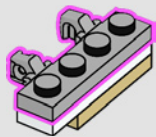




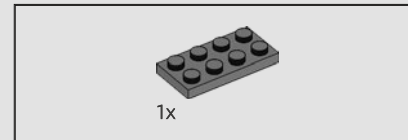
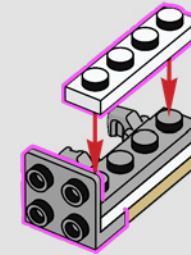
336



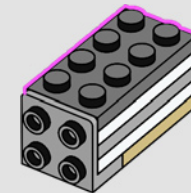
337

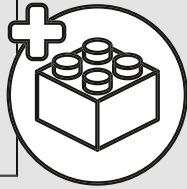
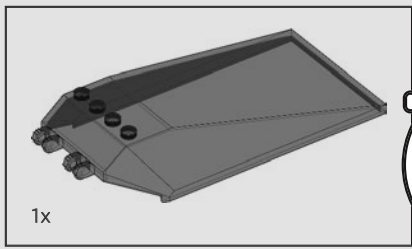


338

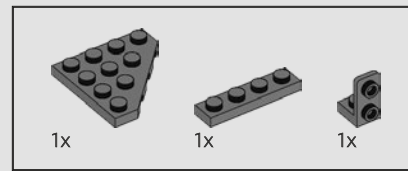
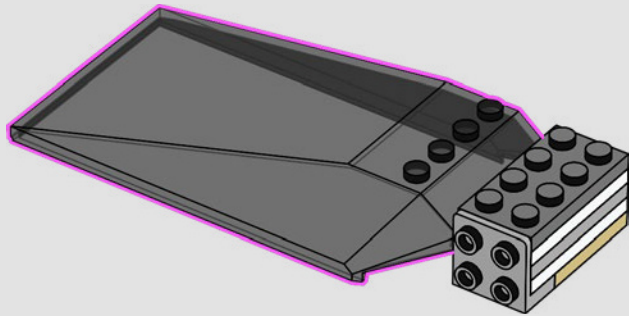


339

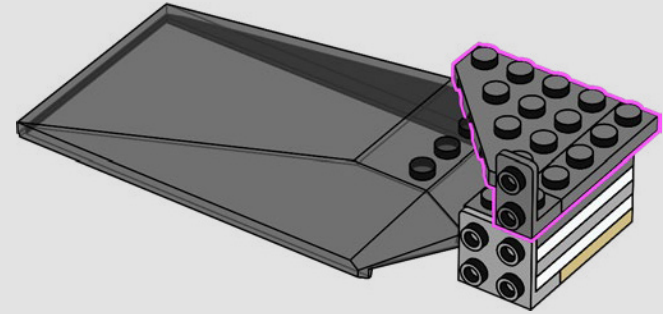




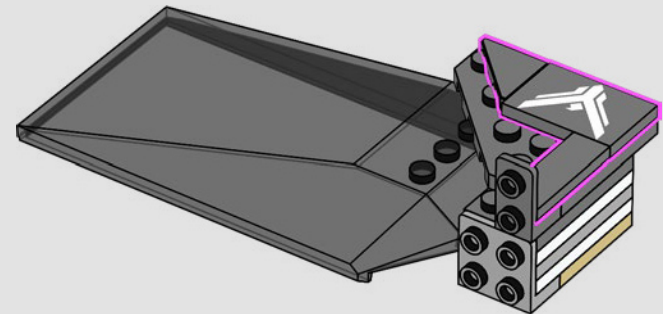
340

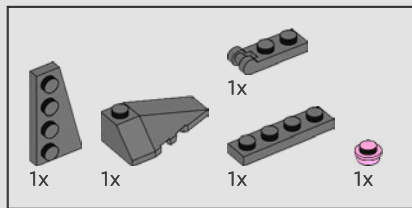


341

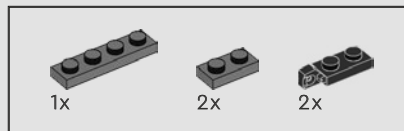
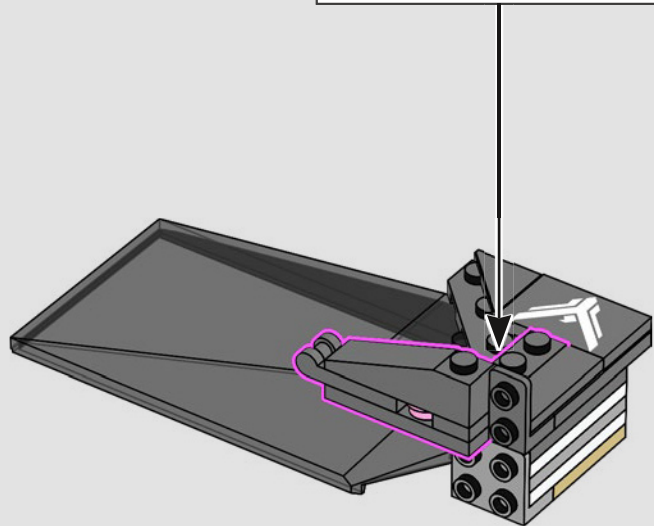
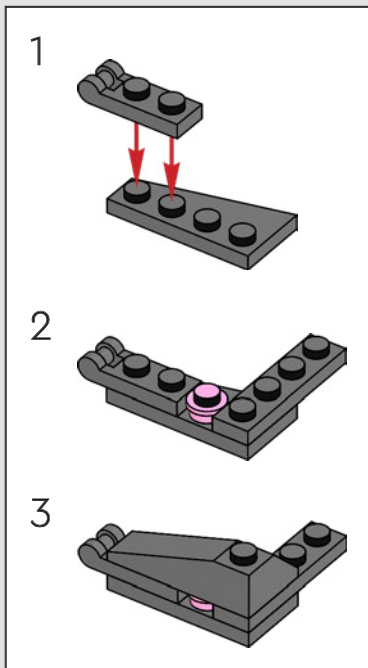


342

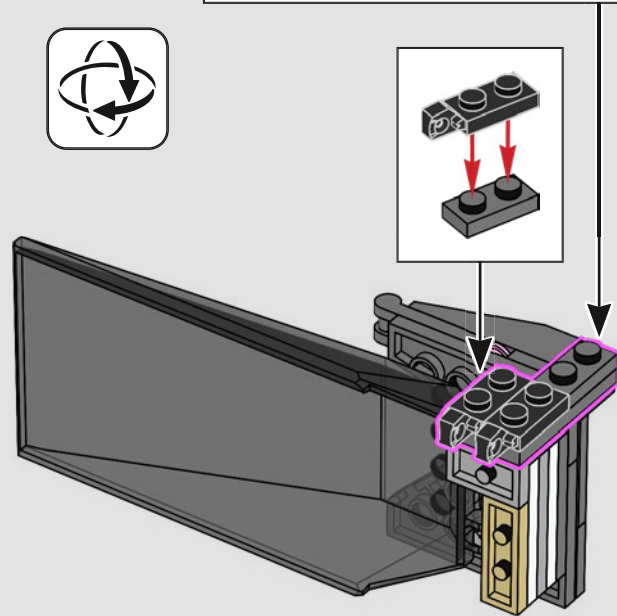
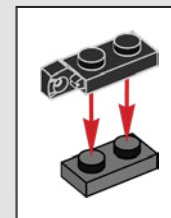
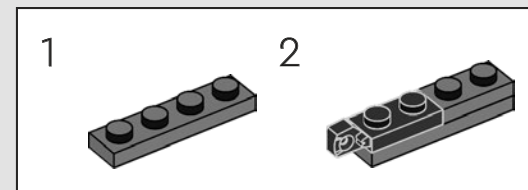


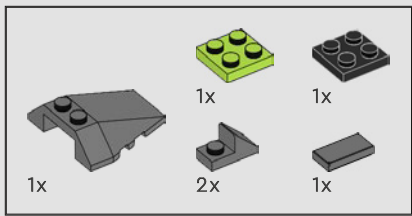


343

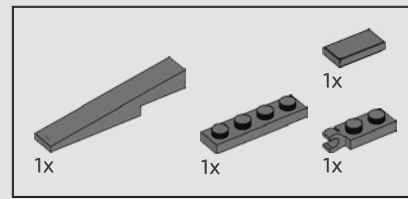
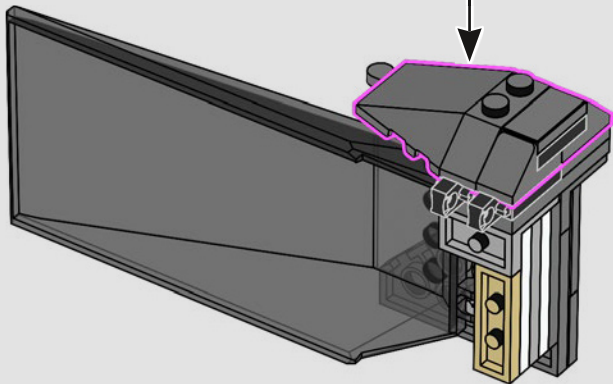
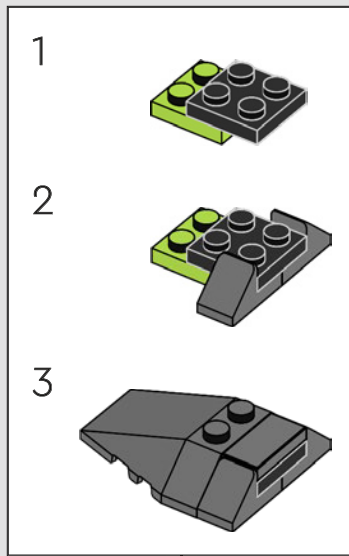


344

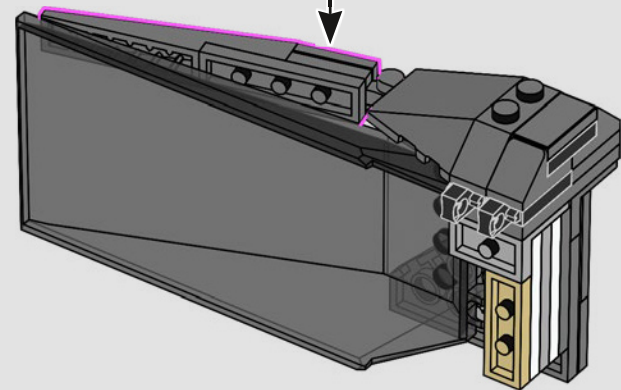
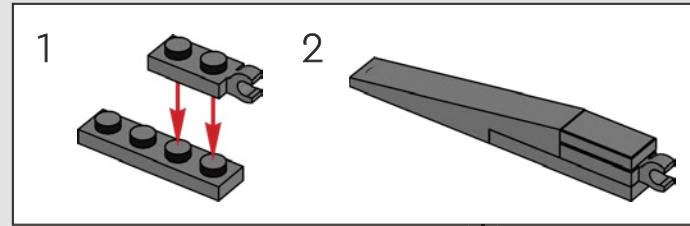




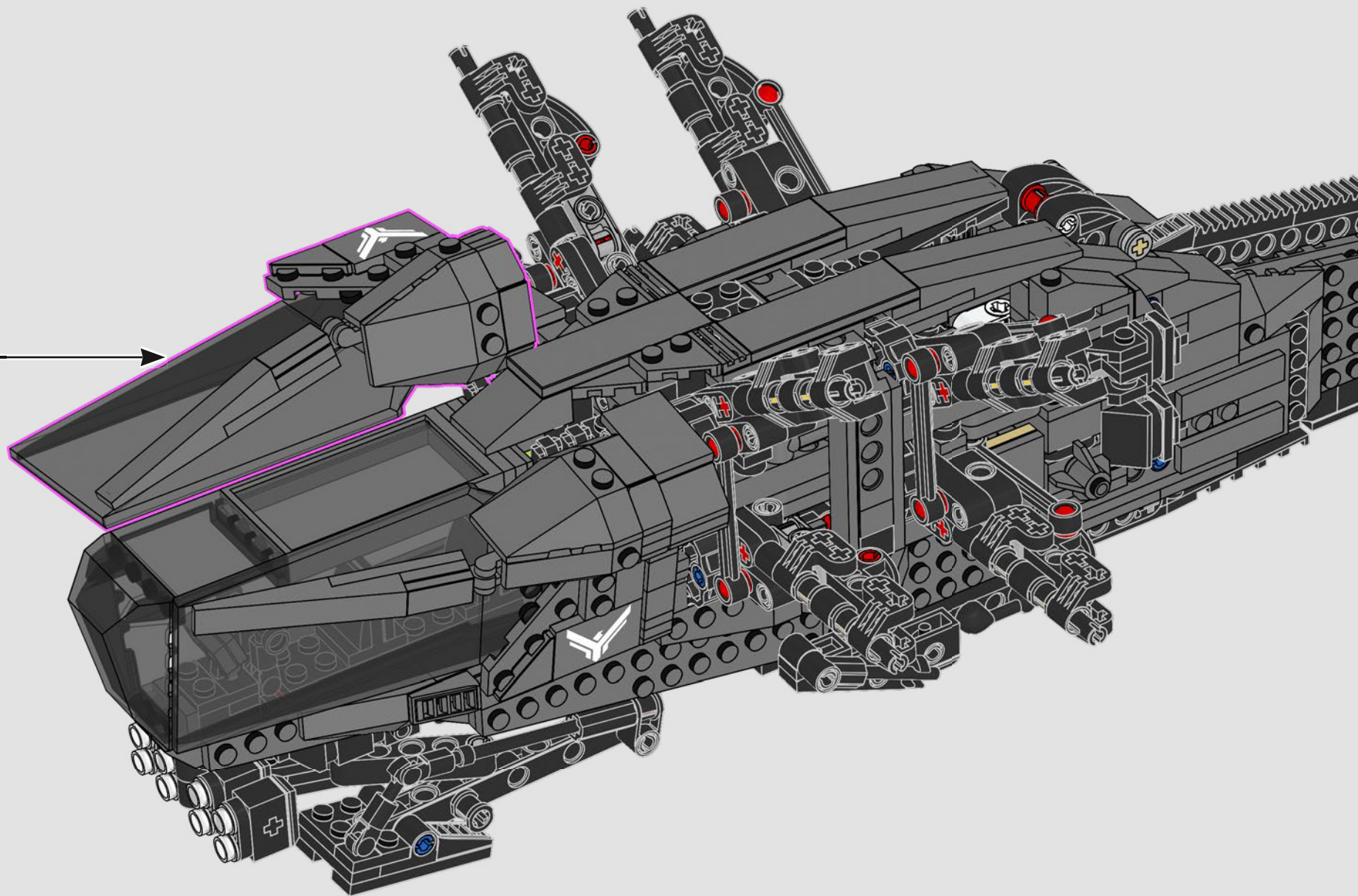
345



346



347



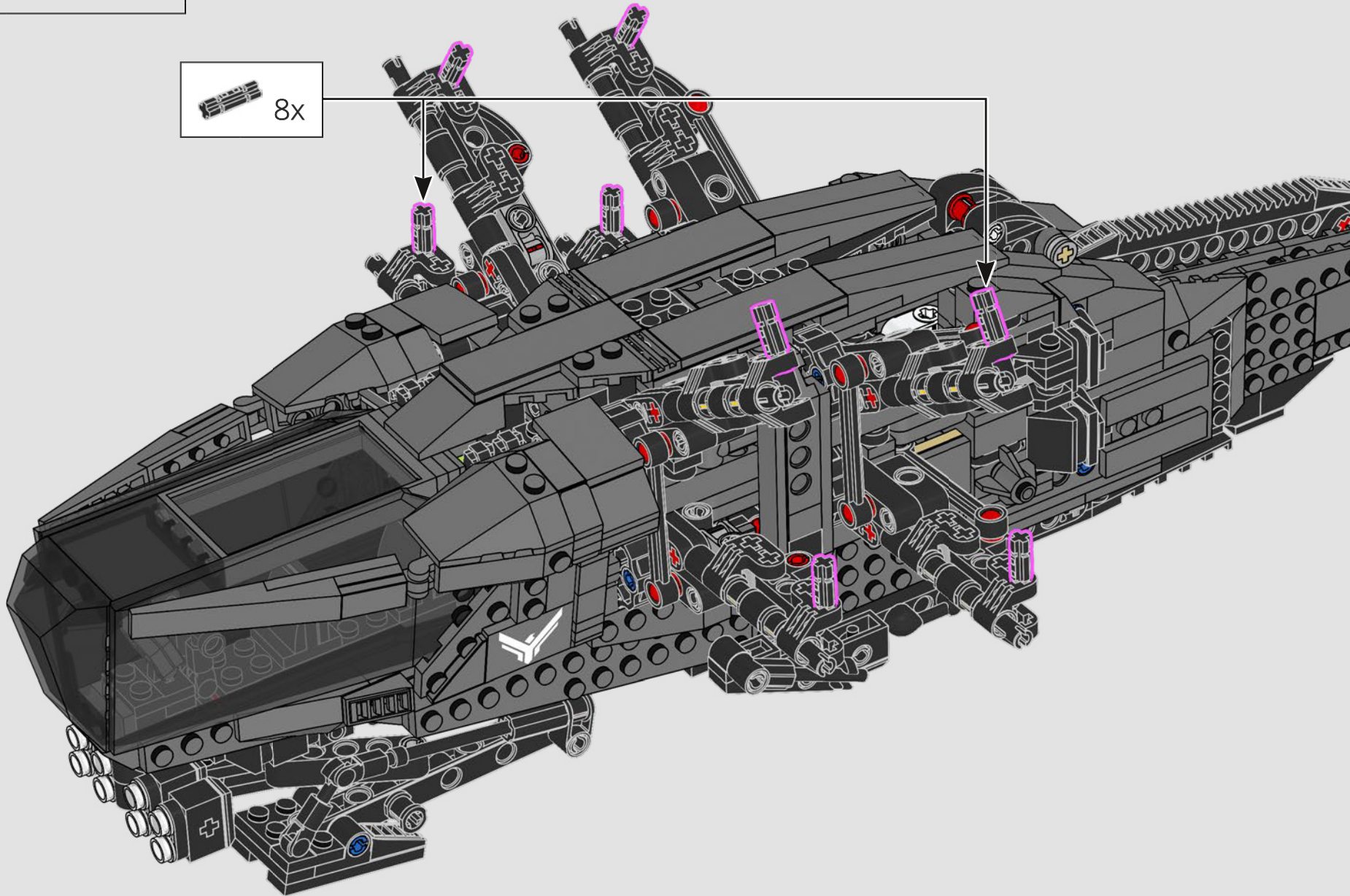


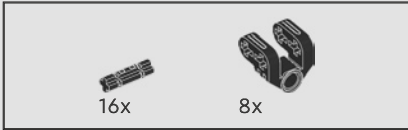
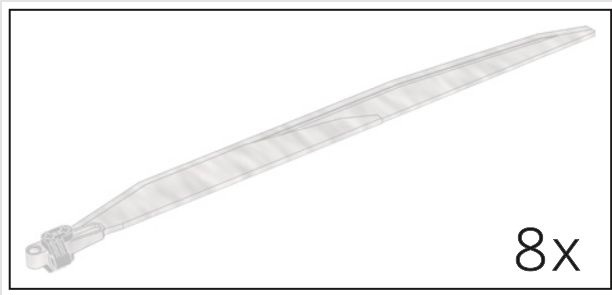
8x

348

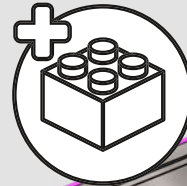
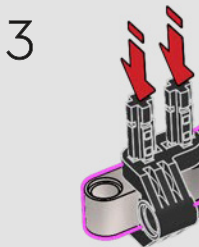


8x



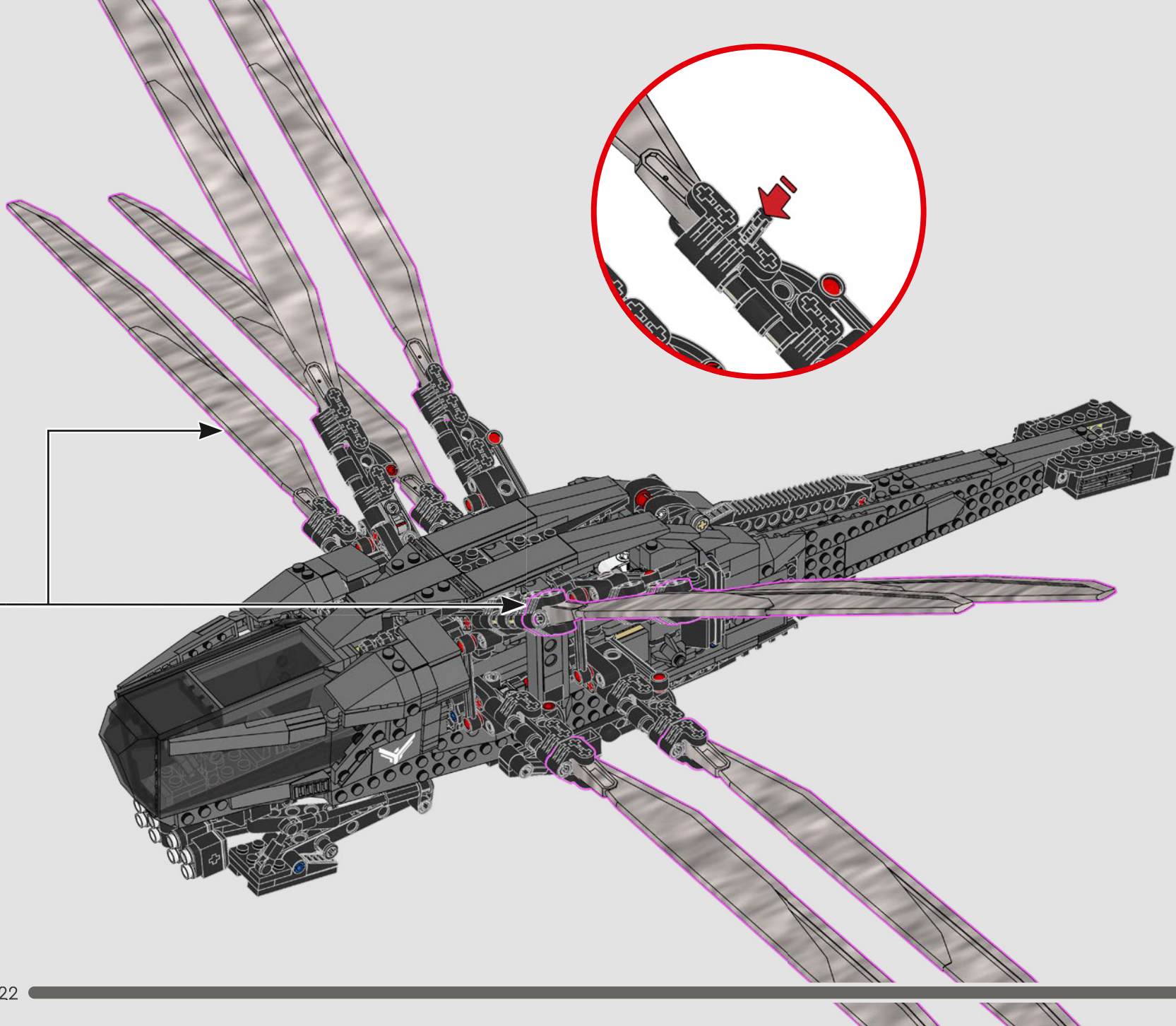


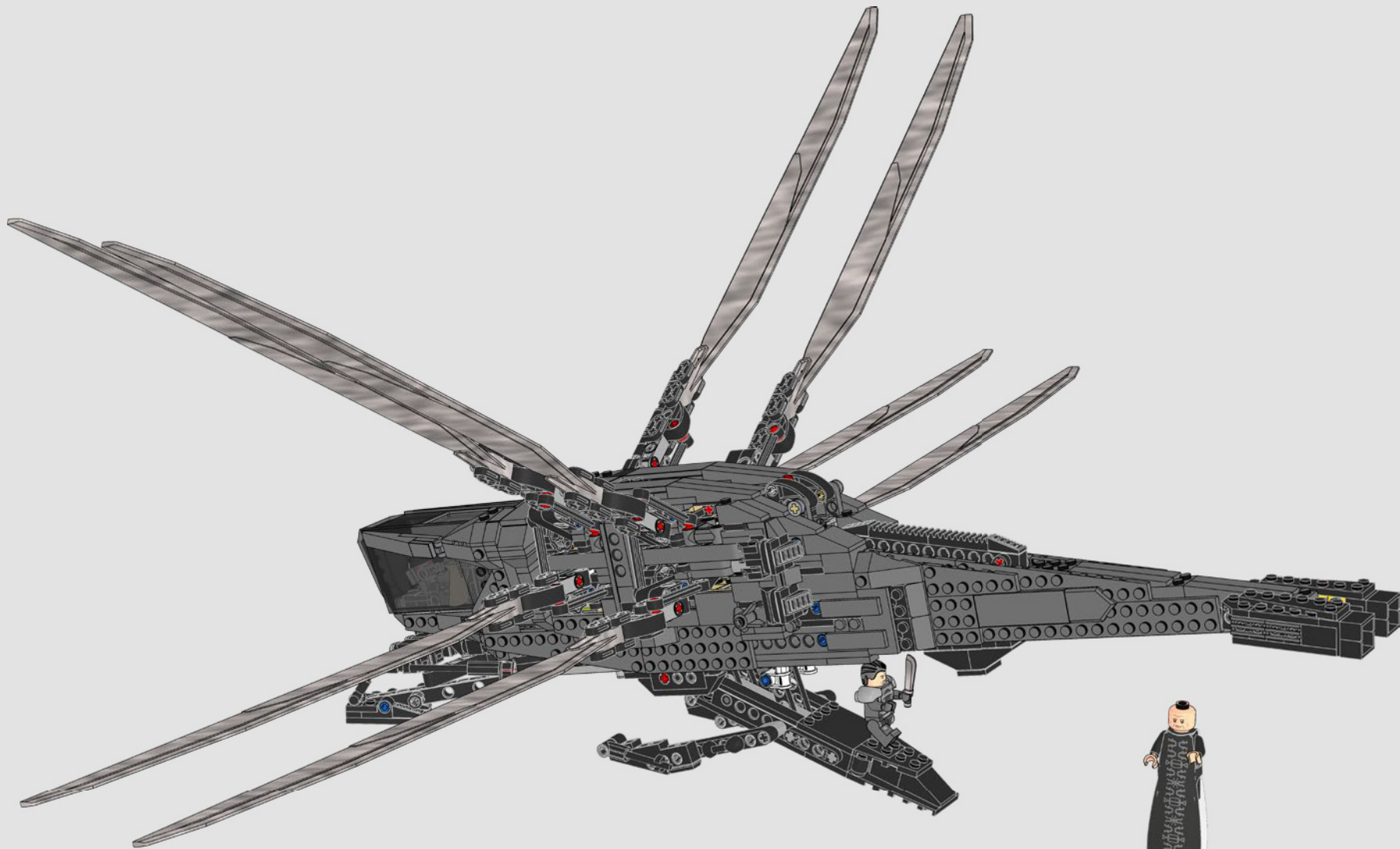
349

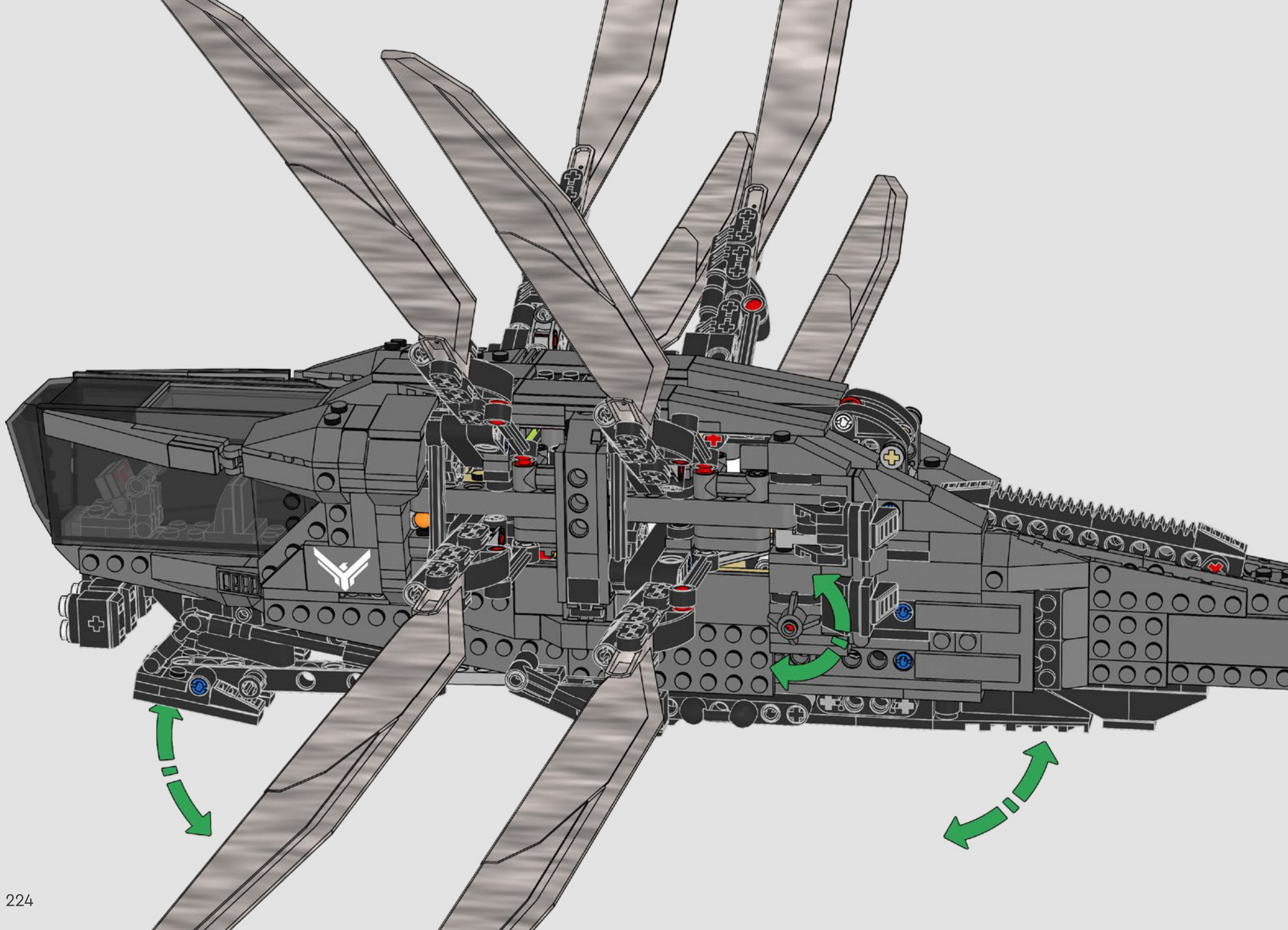


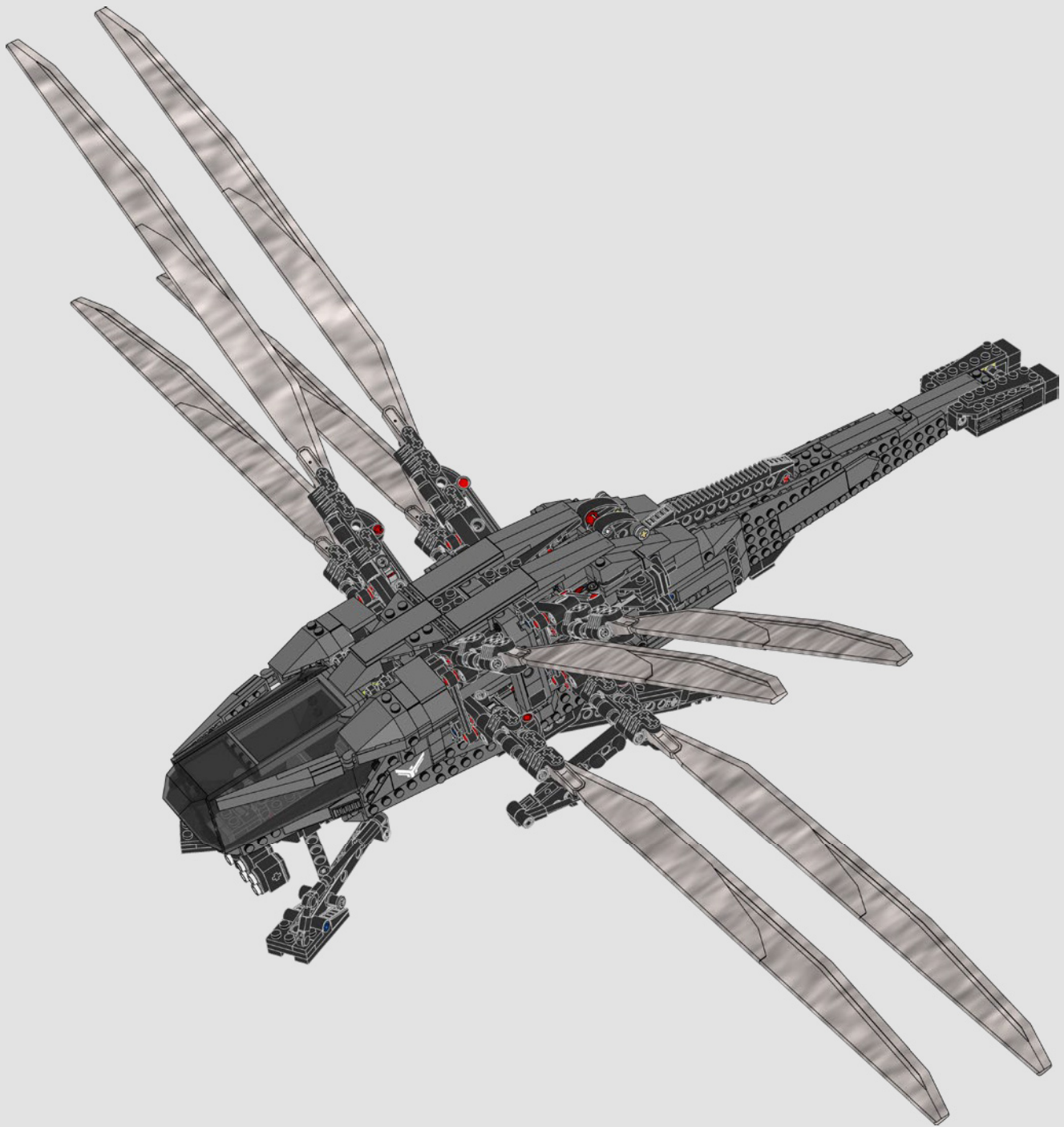
8x

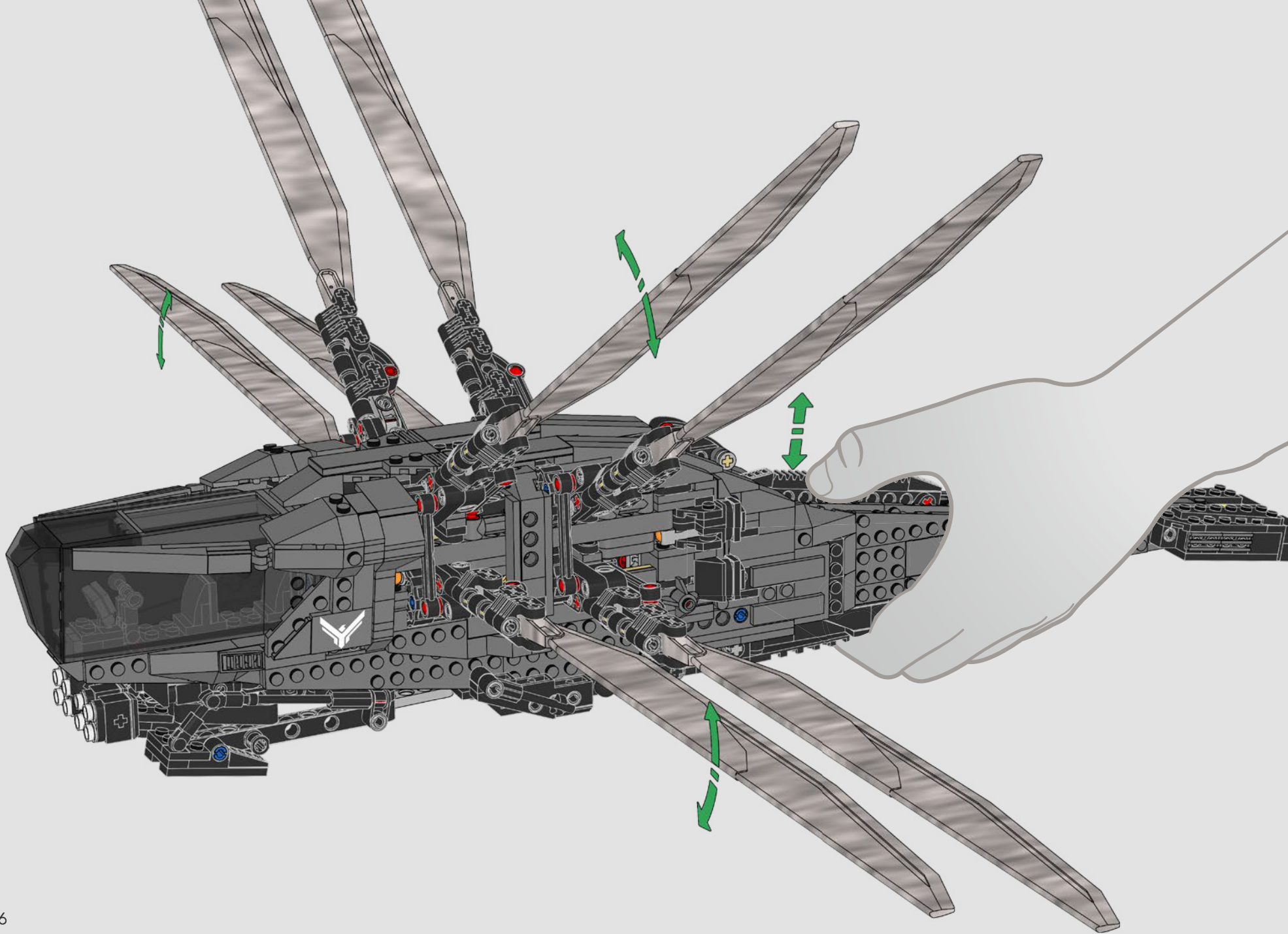


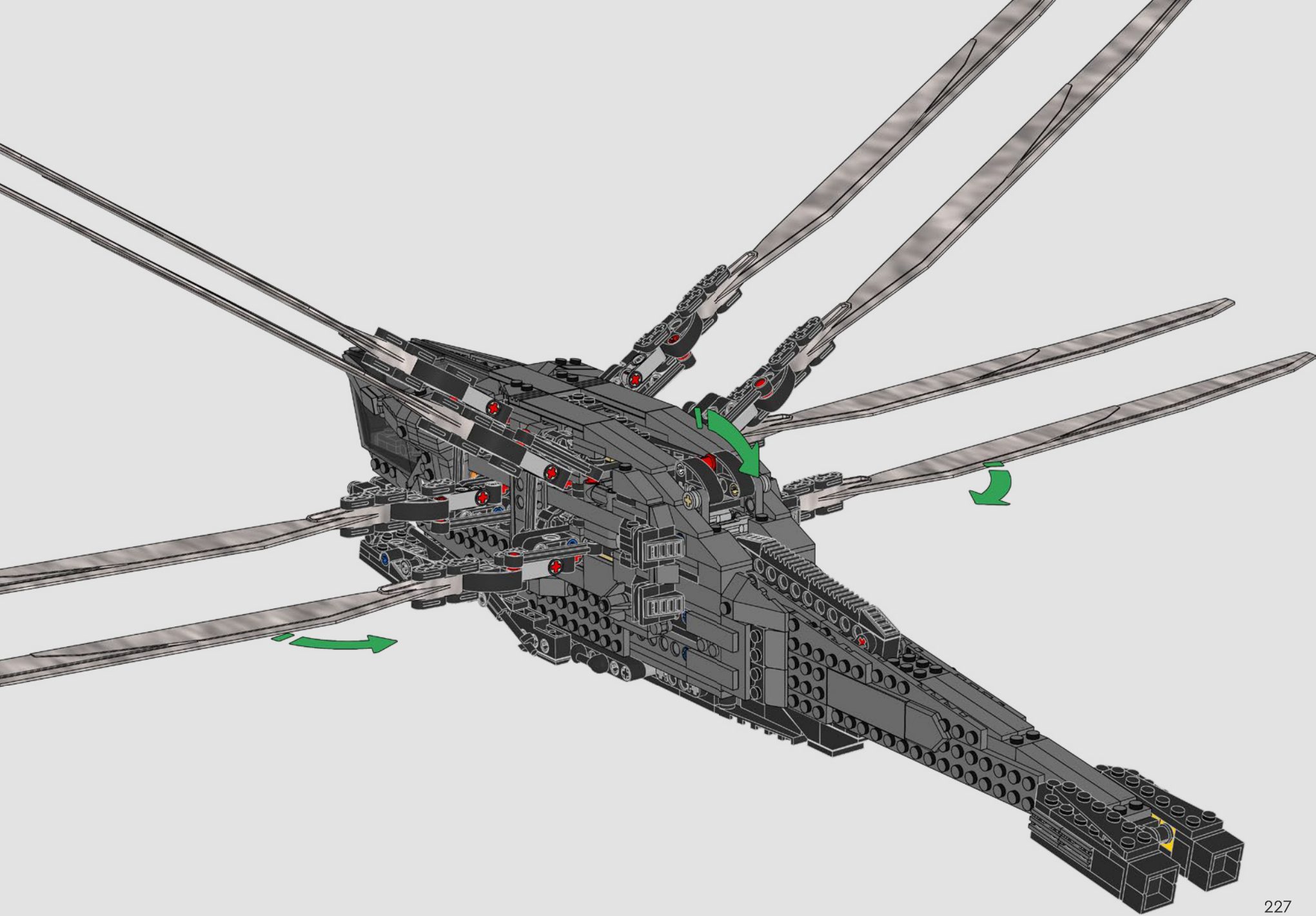












2x 6346389
5x 6058177
6x 6289797
4x 4208160
1x 6478175
1x 6480837
2x 6370532
10x 371001
2x 6360069
2x 389401
2x 6001831
4x 6013938
6x 4666579
1x 6117975

8x 4121921
4x 4118790
4x 4201062
5x 4550323
2x 4550324
1x 6186258
2x 4143409
7x 6271820
30x 6378120
20x 6360104
2x 6384112
31x 4142865
7x 300421
1x 6385920
2x 6271827

3x 6130002
1x 6335578
2x 379521
1x 6130005
7x 4206482
20x 6299413
4x 6271167
14x 654124
1x 6344181
8x 6130007
1x 6072627
2x 362224
2x 6170294

24x 614126
2x 306226
4x 6439039
6x 6284699
18x 6121485
2x 459926
8x 407026
2x 6170566
2x 6234695
2x 6299338
1x 6134617
1x 6055640
2x 6344427
60x 6210270
2x 6344428

2x 6338428
1x 6405548
3x 6261371
64x 6279875
5x 6271535
48x 4109810
8x 6282140
1x 6253260
2x 4512363
10x 6326047
1x 6280394
1x 9339
1x 6173119
10x 6114987
18x 6092585
6x 6174243

2x 302326
2x 6465248
1x 6266244
4x 6138173
6x 6156991
4x 6178922
10x 4541191
2x 4144024
1x 6146220
4x 6248496
2x 3200026
2x 6347310
2x 6192309
2x 6117973
1x 6310268

3x 6250020
1x 6276875
2x 6428168
2x 6151289
18x 6331723
4x 6266224
4x 6396457
24x 6279021
4x 6061032
2x 6265730
1x 303926
8x 302226
6x 242026
2x 306826
2x 6211476

1x 6013867
2x 235726
2x 6425507
1x 6365577
5x 6469445
19x 6321745
8x 6186133
8x 6477712
2x 362326
1x 6478958
2x 6435928
10x 6327548
2x 6116604
1x 329826

1x 370526
3x 370126
10x 371026
2x 301026
2x 6457282
2x 300126
2x 302026
8x 4142135
4x 6350415
1x 6256116
1x 6275401
2x 6170421
12x 4629921

1x 370626
5x 6039194
2x 4620763
2x 663626
2x 6311889
2x 6064228
1x 617926
1x 6414768
2x 379526
4x 4495935
1x 370726
4x 346026

9

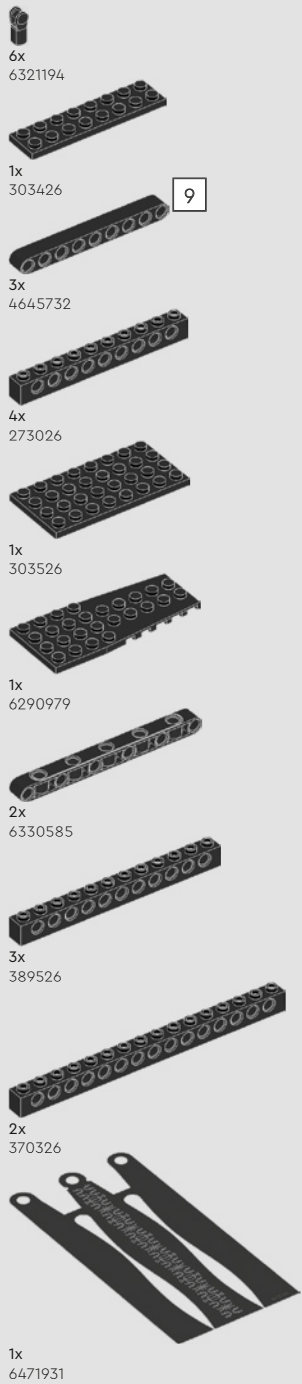
3

10

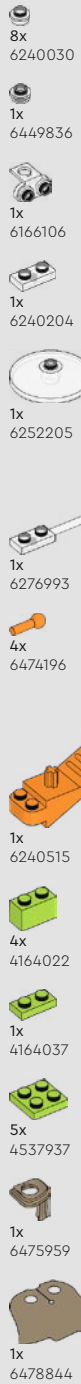
5

7

8



9



3

5

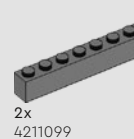
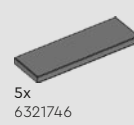


13



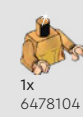
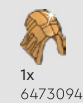
4

9x
6083620



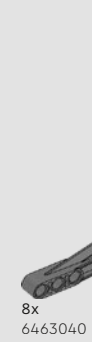
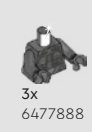
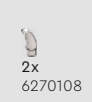
7

2x
4517996

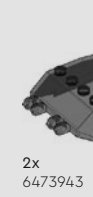
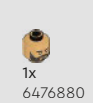


15

1x
6476883



1x
6476892



LEGO.com/service



YOU COULD WIN



YOU COULD WIN

Your feedback will help shape the future development of this product series.

Visit:

DU KÖNNTEST GEWINNEN

Dein Feedback trägt zur Weiterentwicklung dieser Produktreihe bei.

Geh auf:

VOUS POURRIEZ GAGNER

Vos commentaires nous aideront à concevoir les futurs produits de cette gamme.

Visitez :

POTRESTI VINCERE TU

La tua opinione ci aiuterà a migliorare la creazione futura di questa linea di prodotti.

Visita:

PUEDES GANAR

Tu opinión contribuirá al futuro de esta serie de productos.

Visita:

轻松获奖

您的反馈将有助于我们在今后改进本产品系列。

请访问:

LEGO.com/productfeedback

You also have the chance to win a LEGO® set.

Terms and conditions apply.*

Außerdem hast du die Chance, ein LEGO® Set zu gewinnen.

Es gelten die Teilnahmebedingungen.*

Vous pourriez également gagner un ensemble LEGO®.

Des conditions s'appliquent.*

Hai anche la possibilità di vincere un set LEGO®.

Termini e condizioni sono applicabili.*

También tienes la oportunidad de ganar un set LEGO®.

Aplican términos y condiciones.*

您还有机会赢取乐高®套装。

条款和条件适用。*

*LEGO.com/productfeedback-terms



LEGO and the LEGO logo are trademarks of the LEGO Group.

©2024 The LEGO Group. 6562106

© 2024 Legendary. All Rights Reserved.