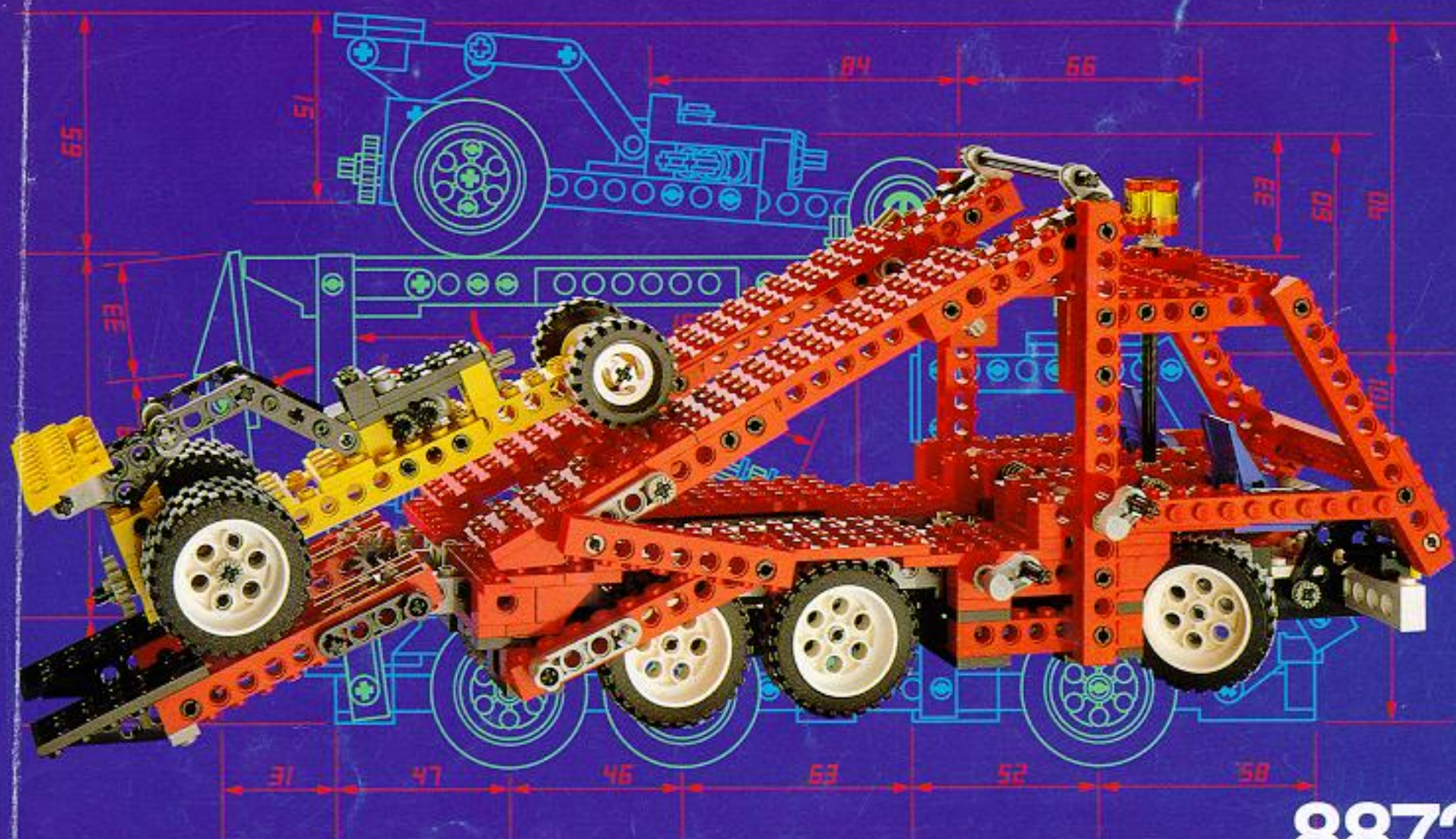
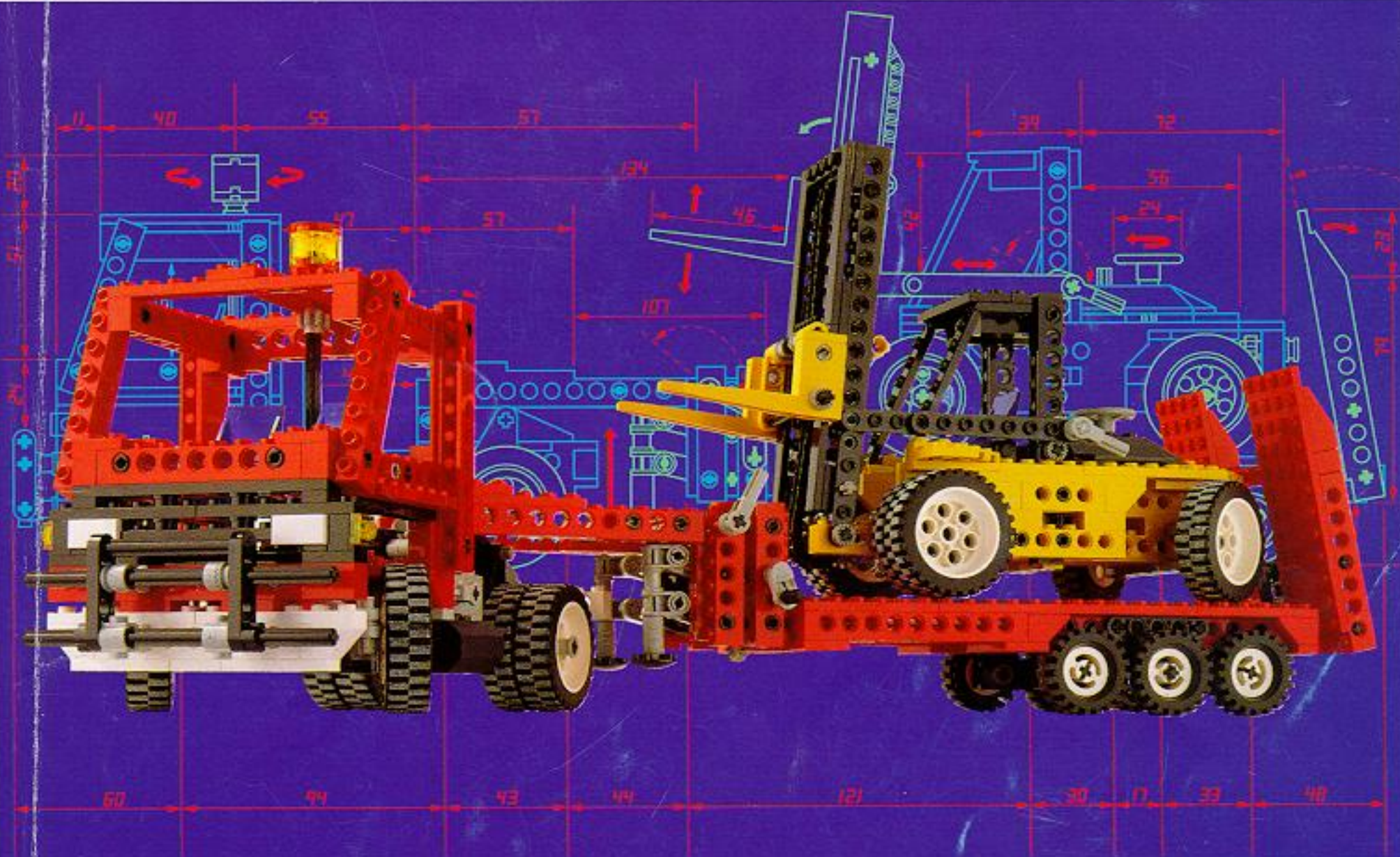
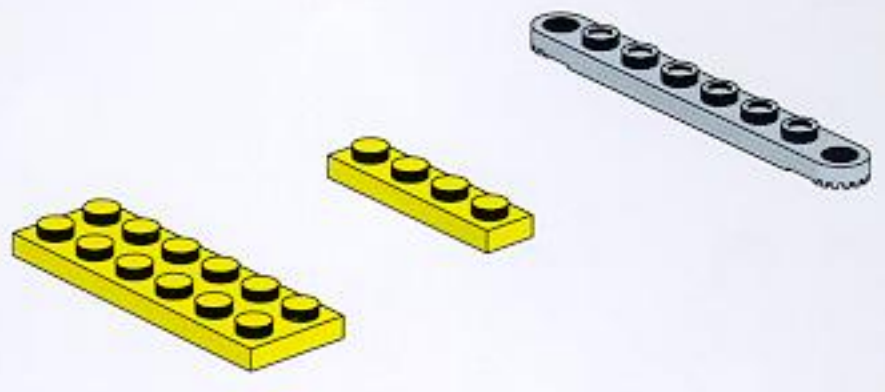
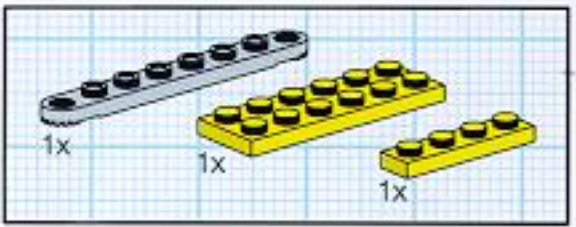
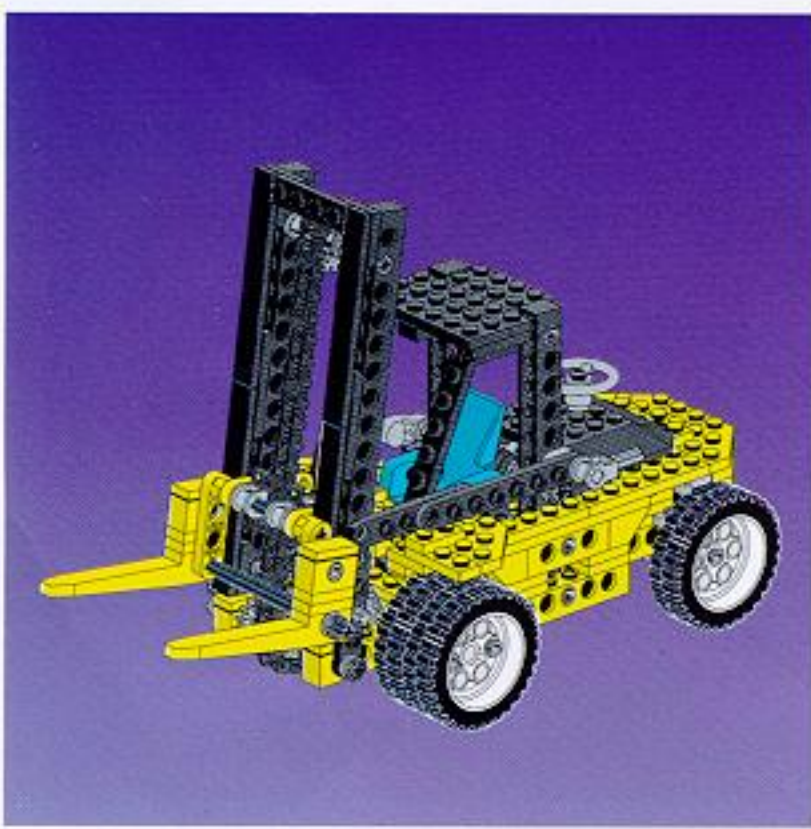
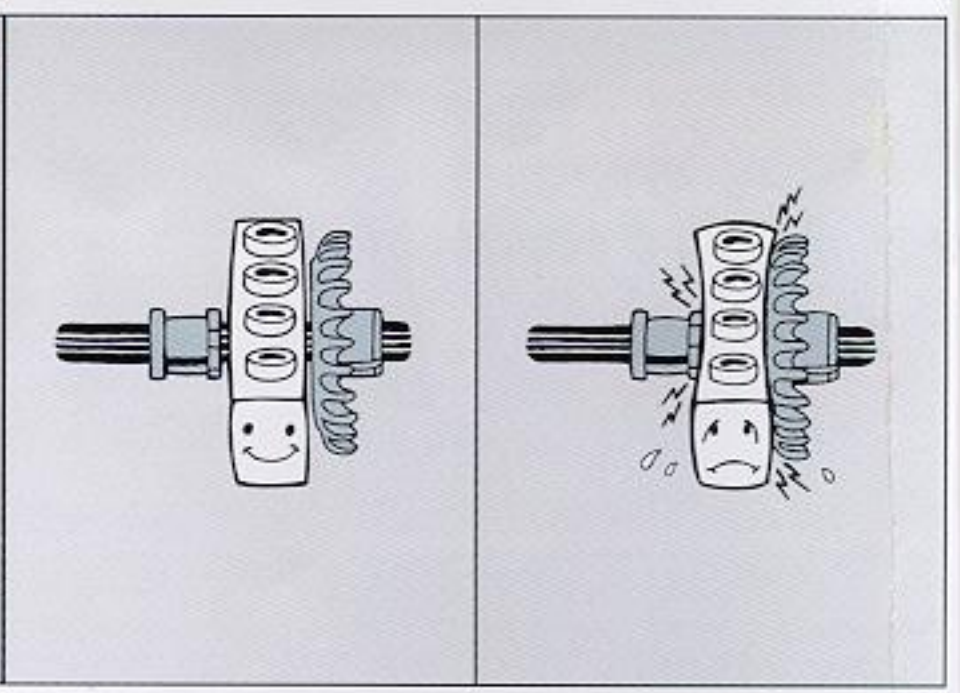
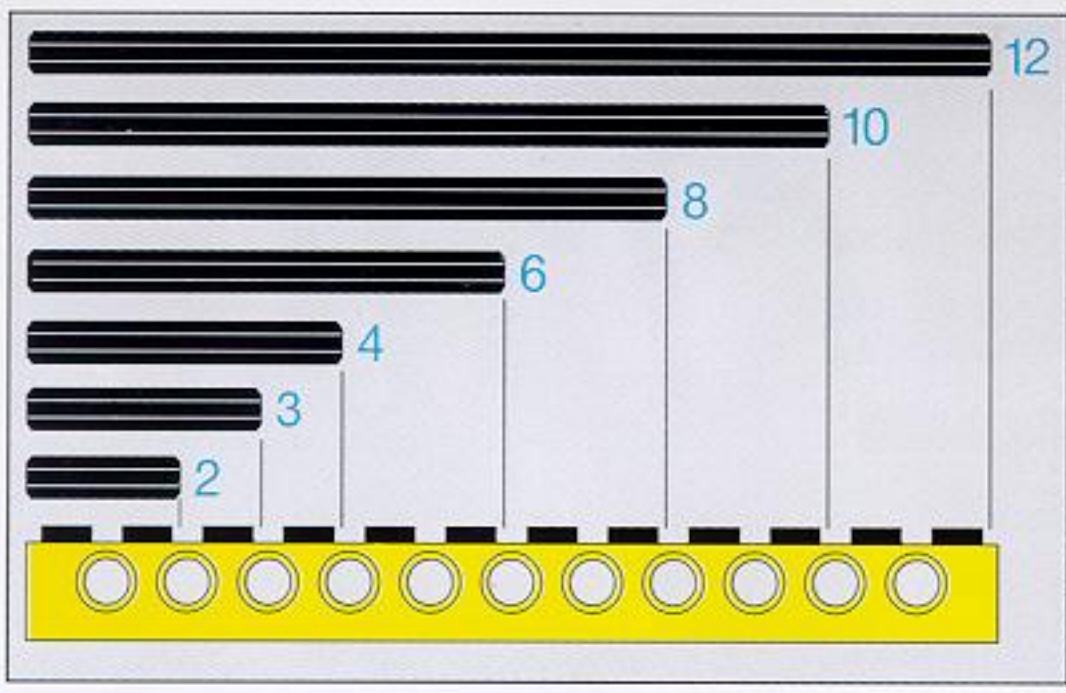




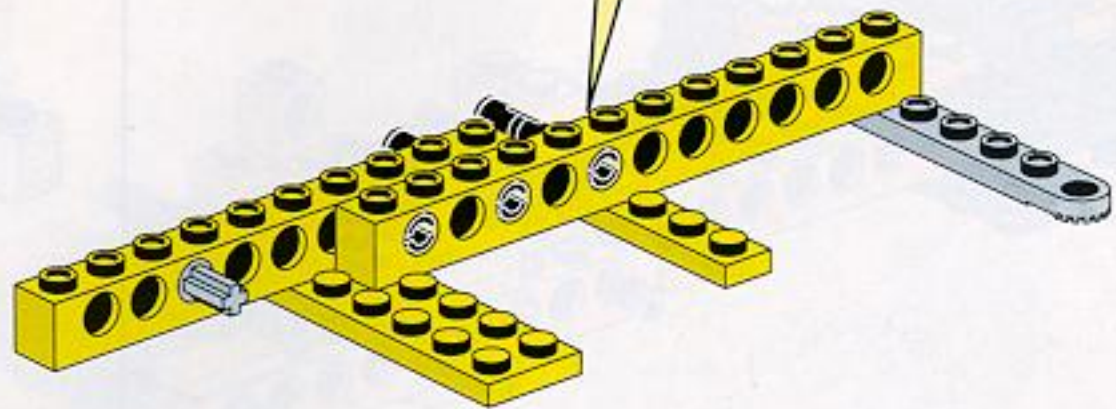
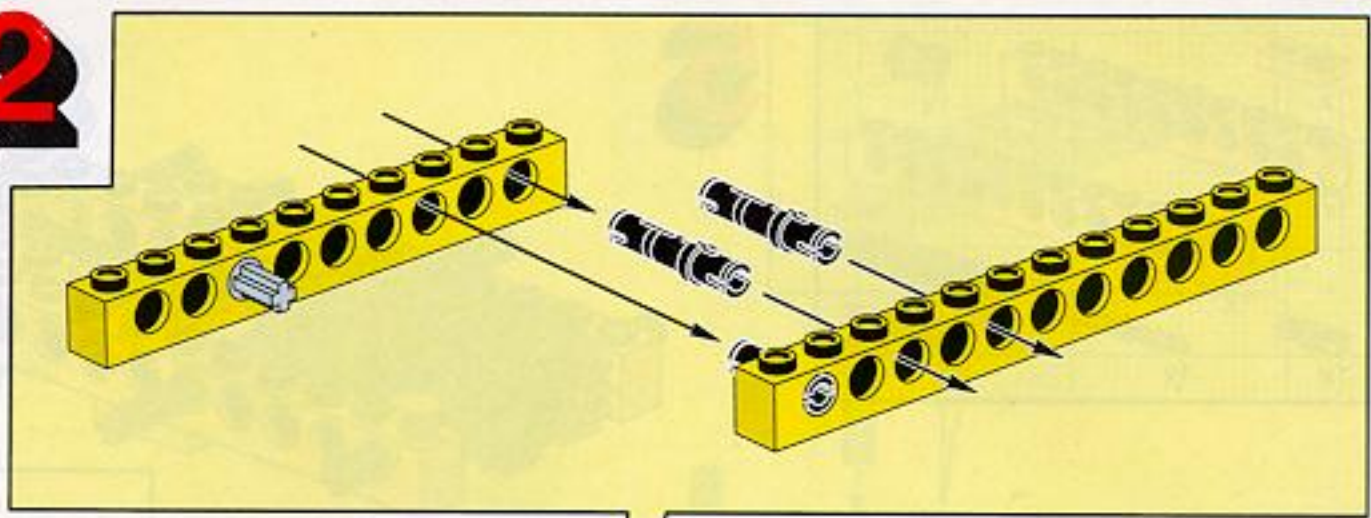
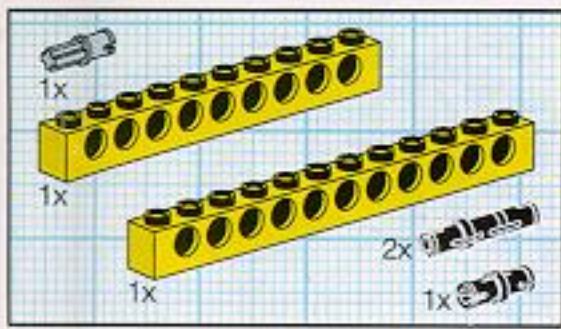
# Technic



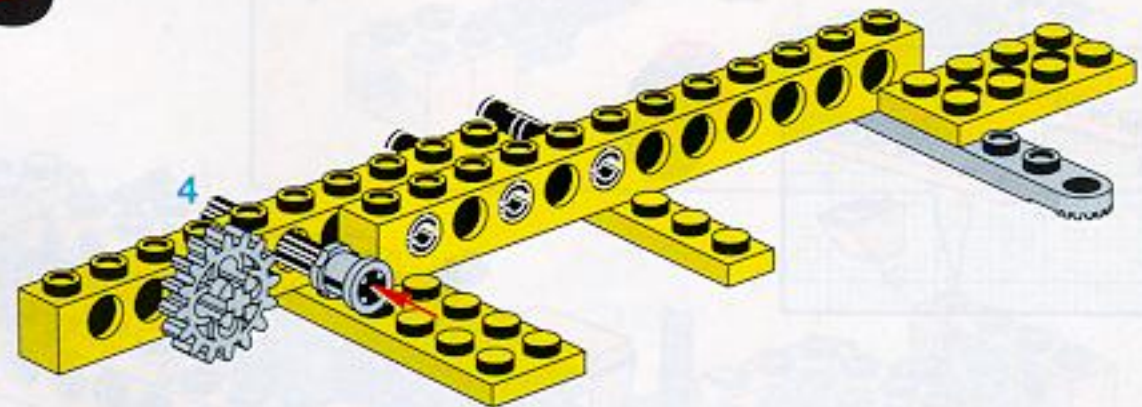
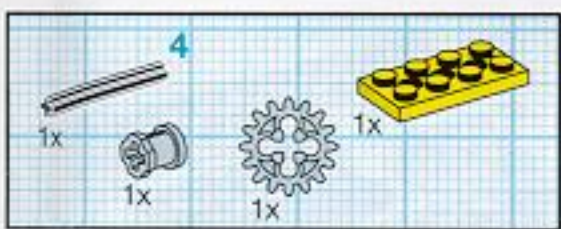
8872



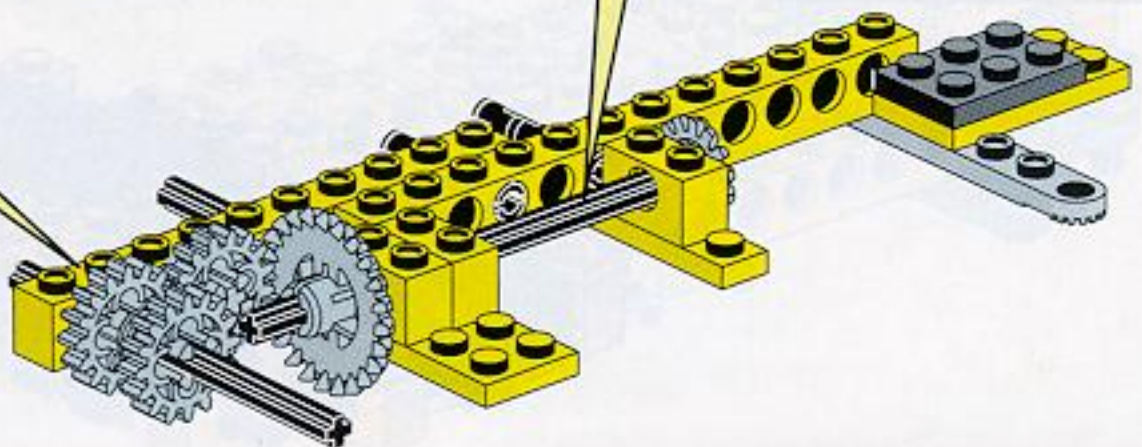
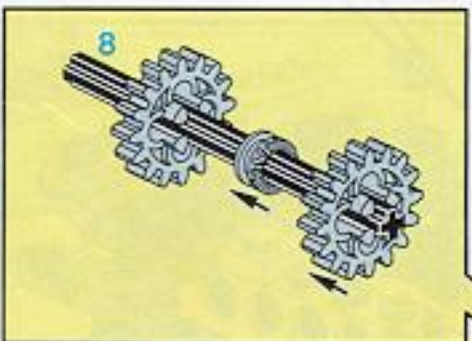
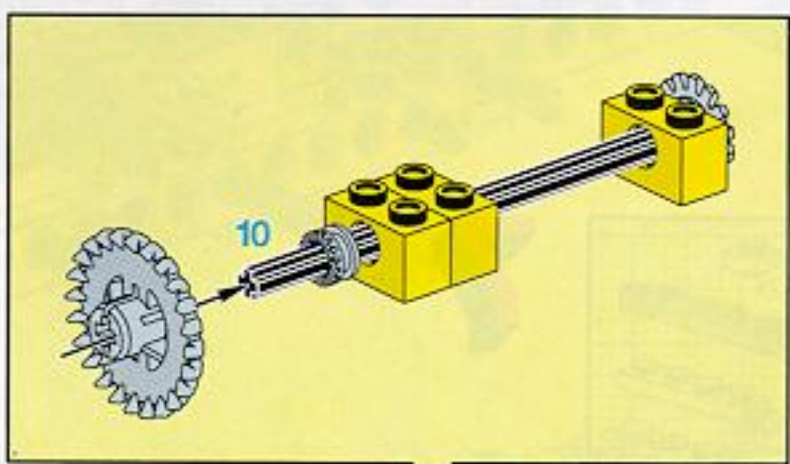
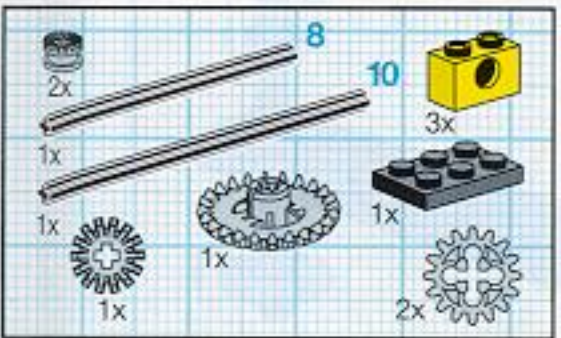
2



3

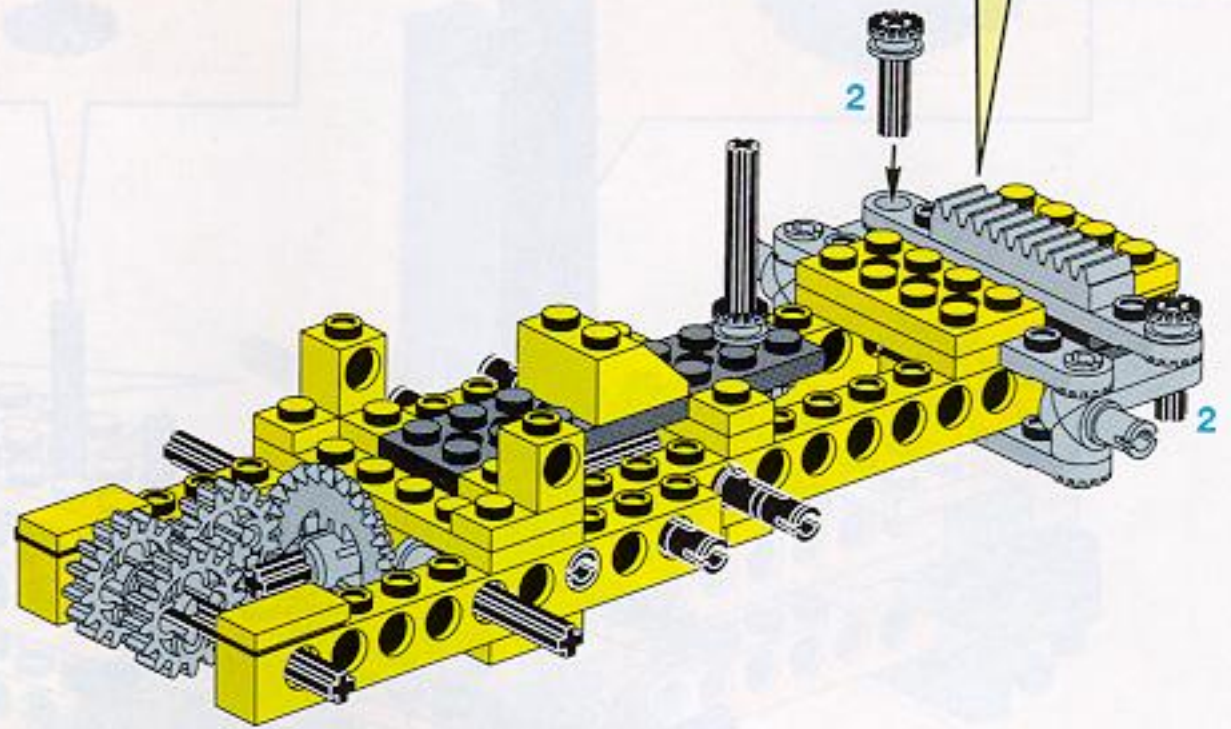
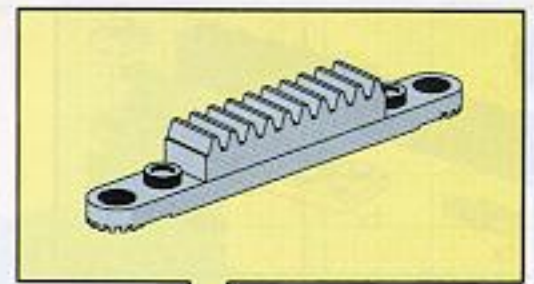
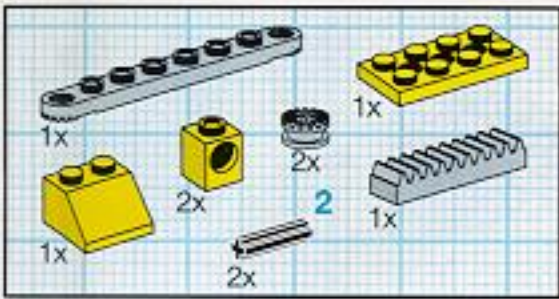


4

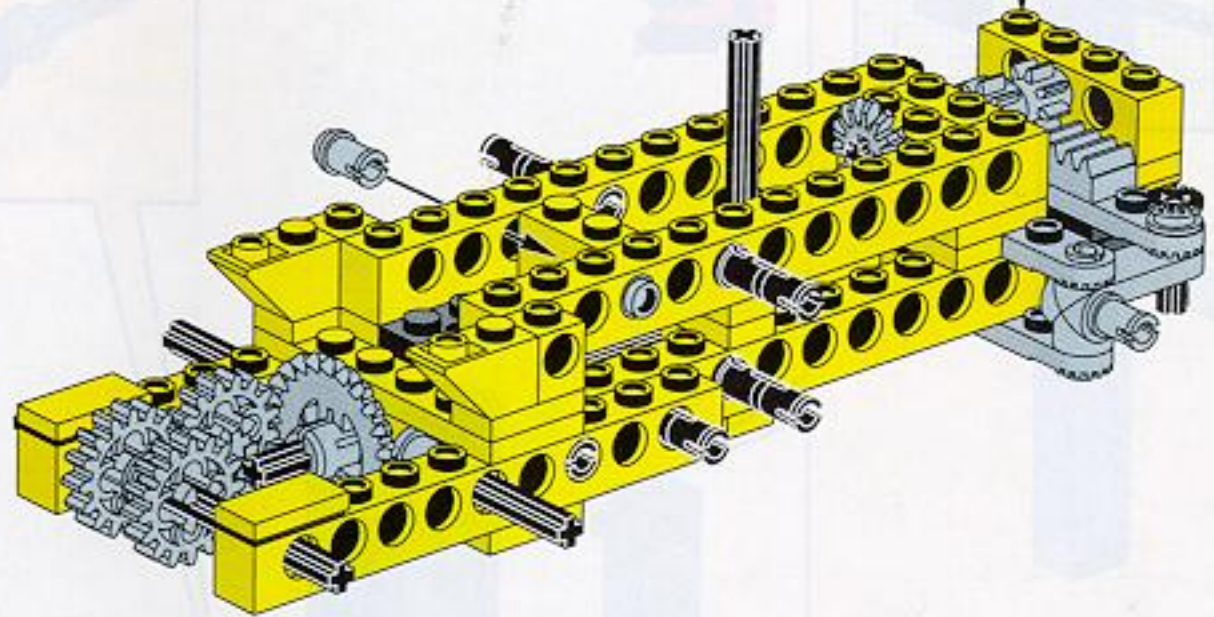
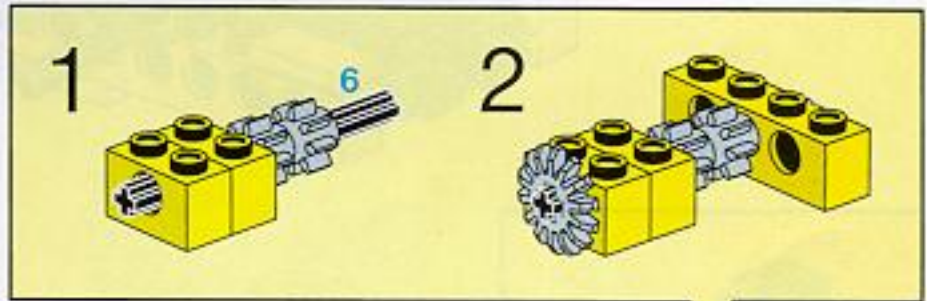
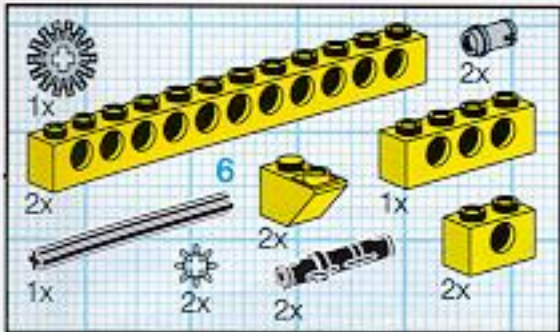




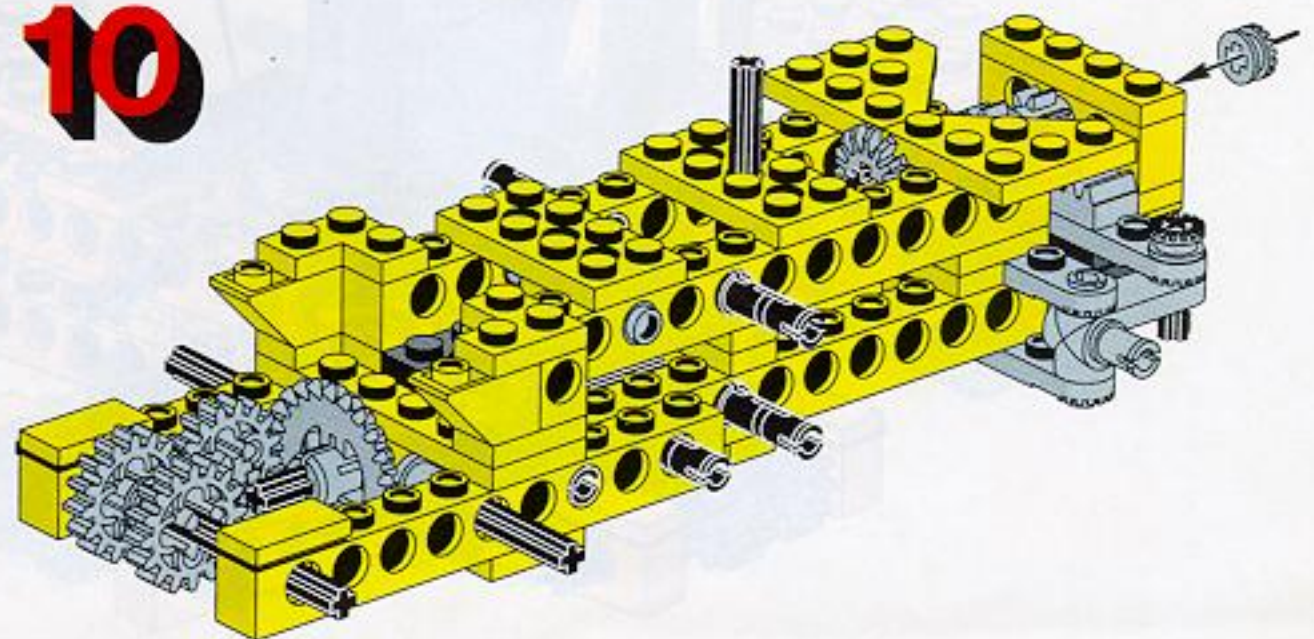
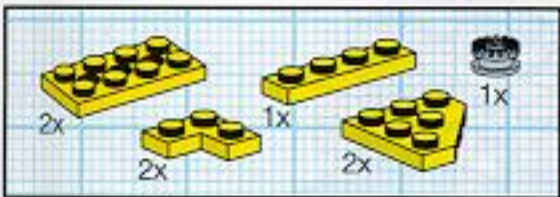
8

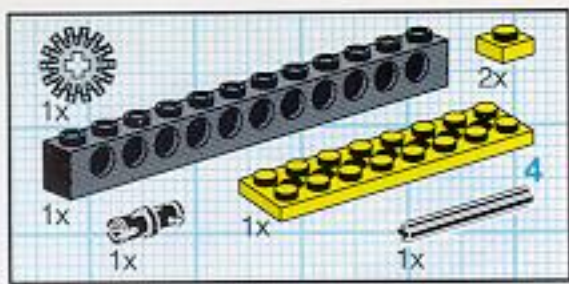


9

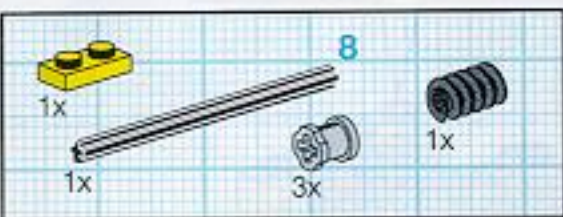
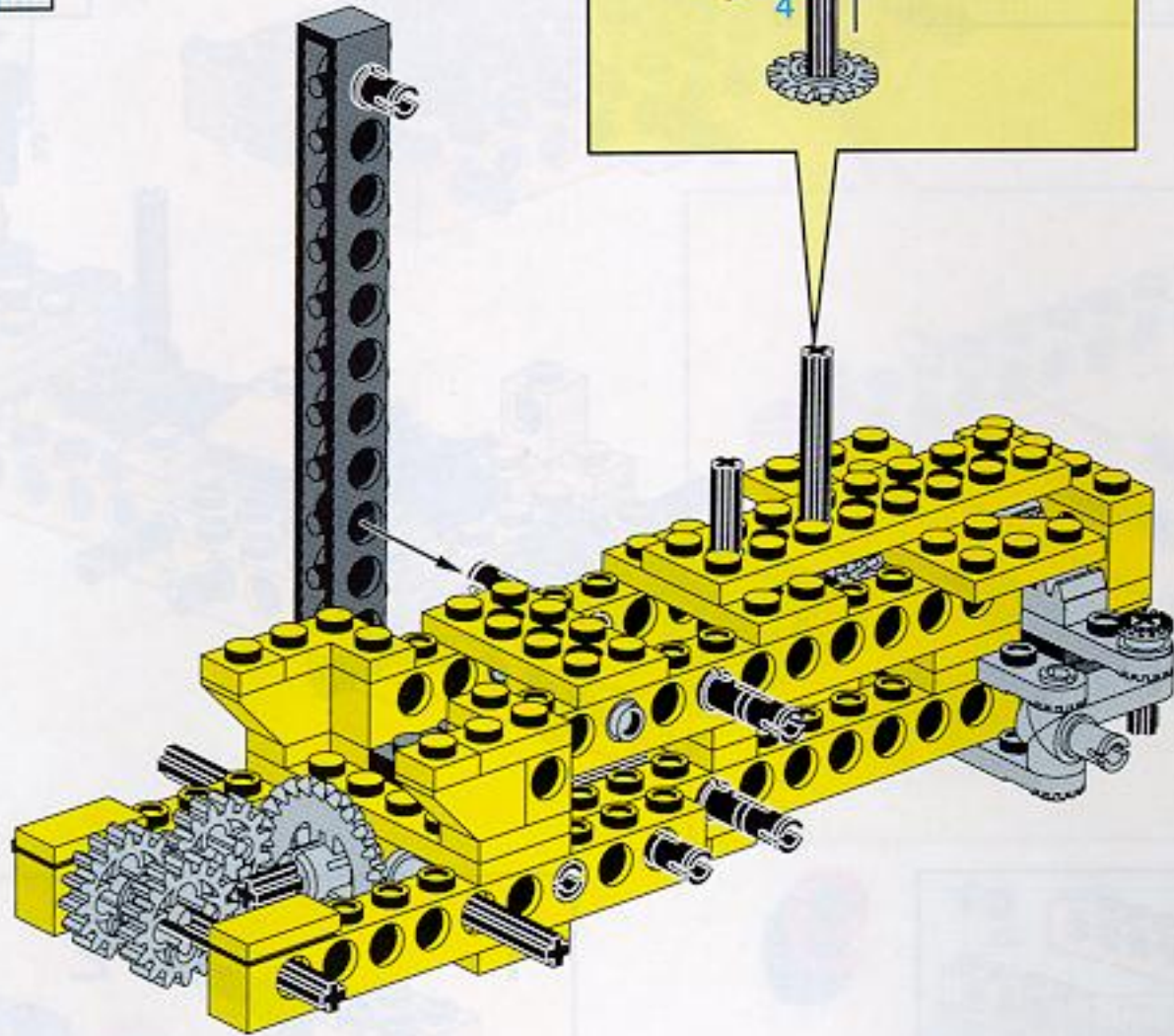
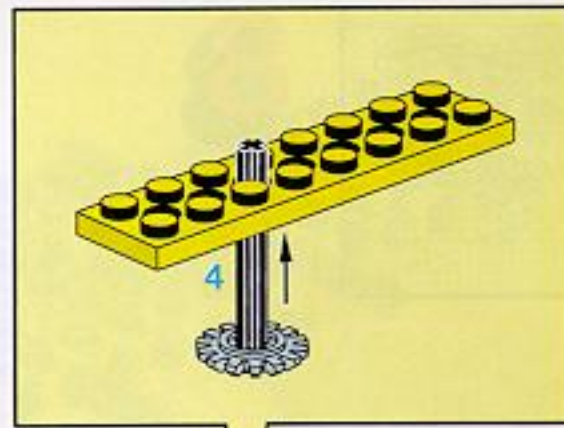


10

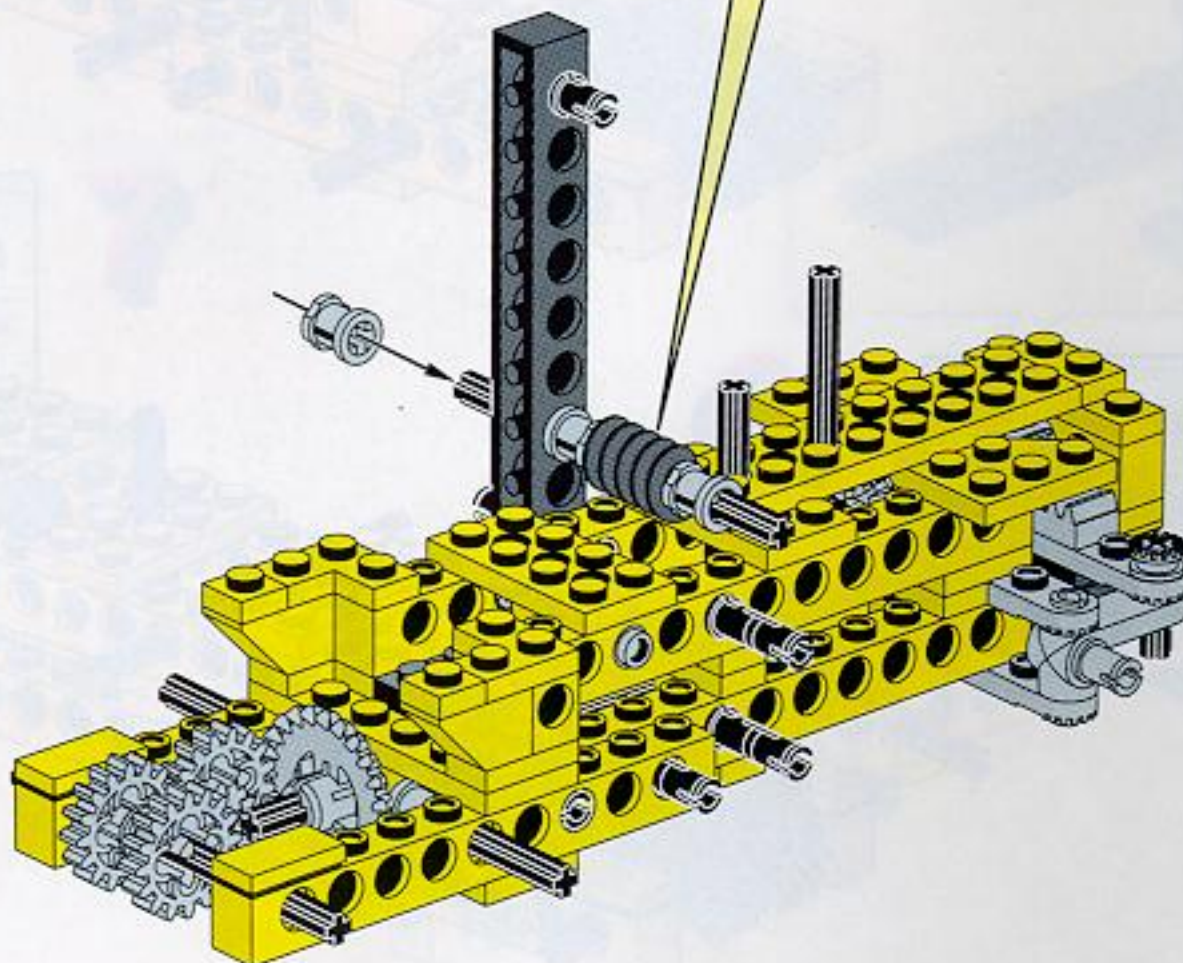
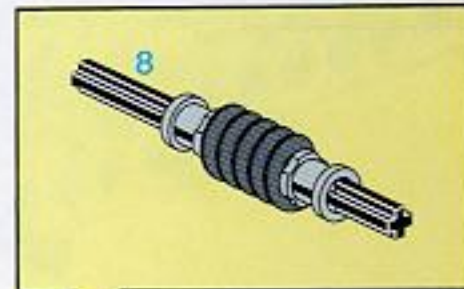


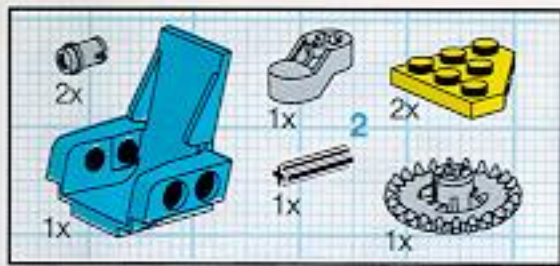


**11**

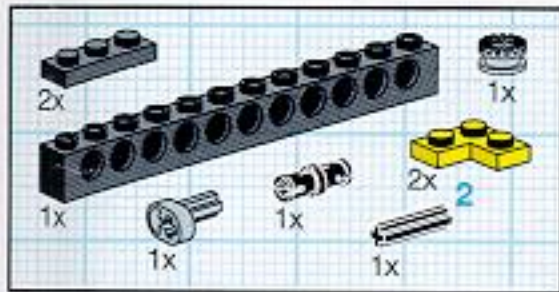
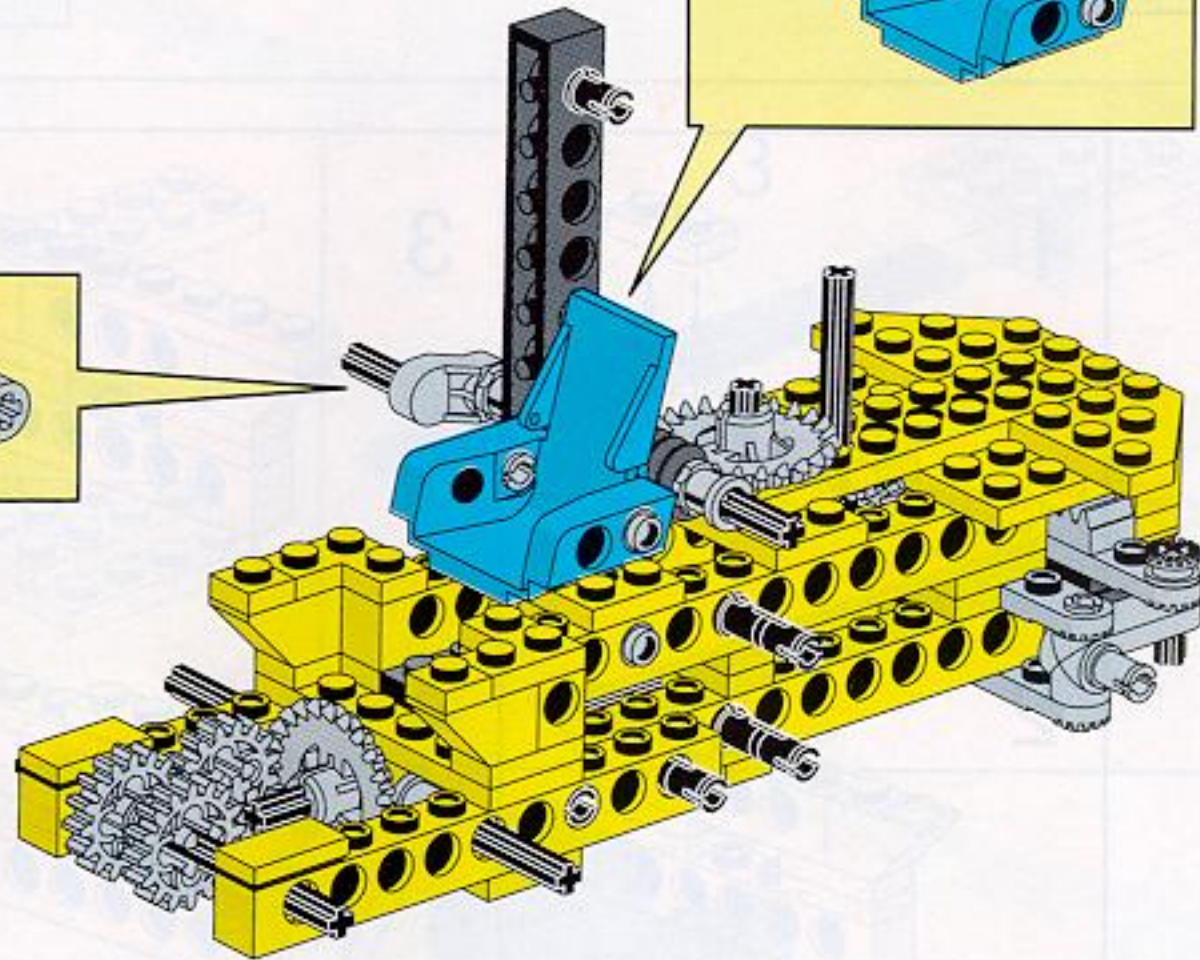
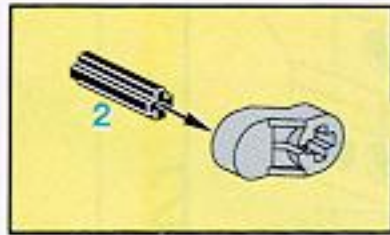
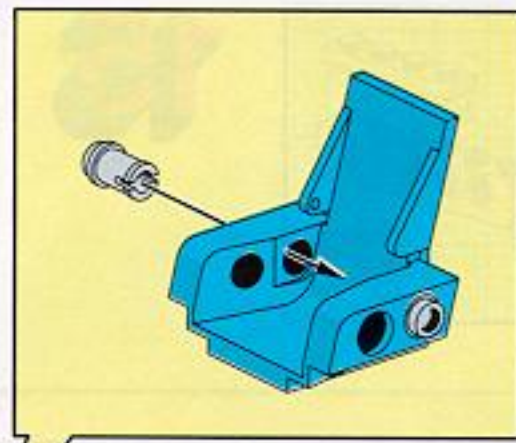


**12**

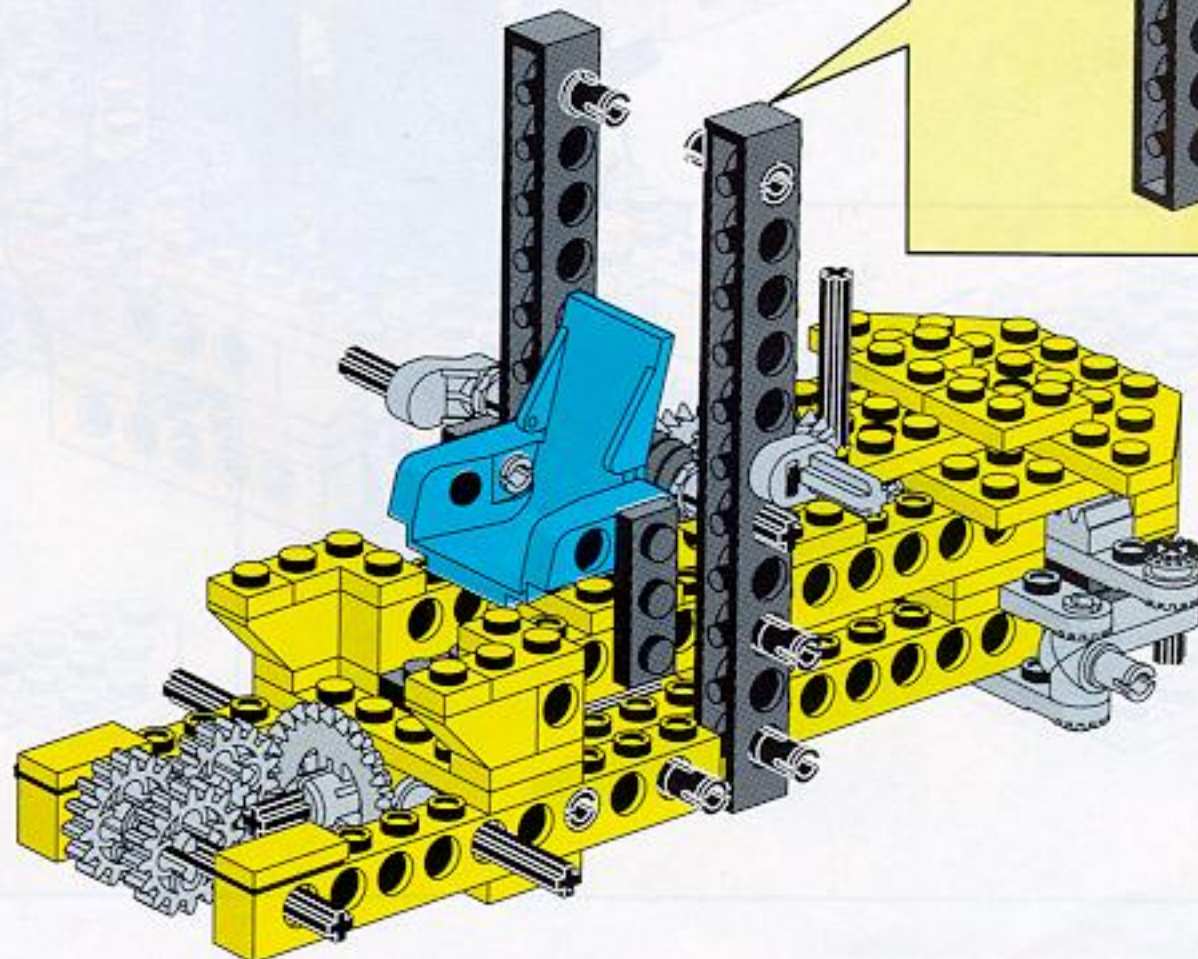
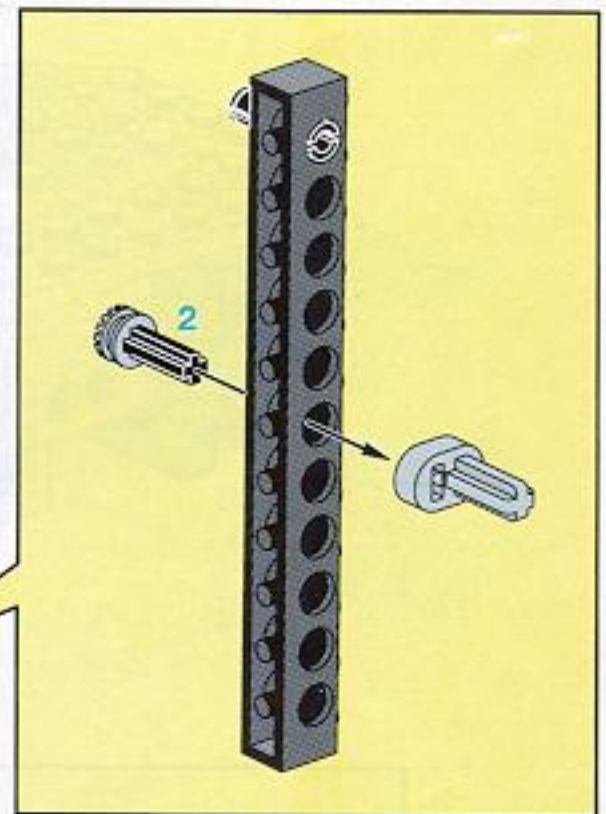




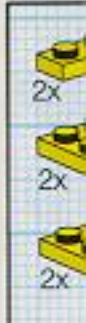
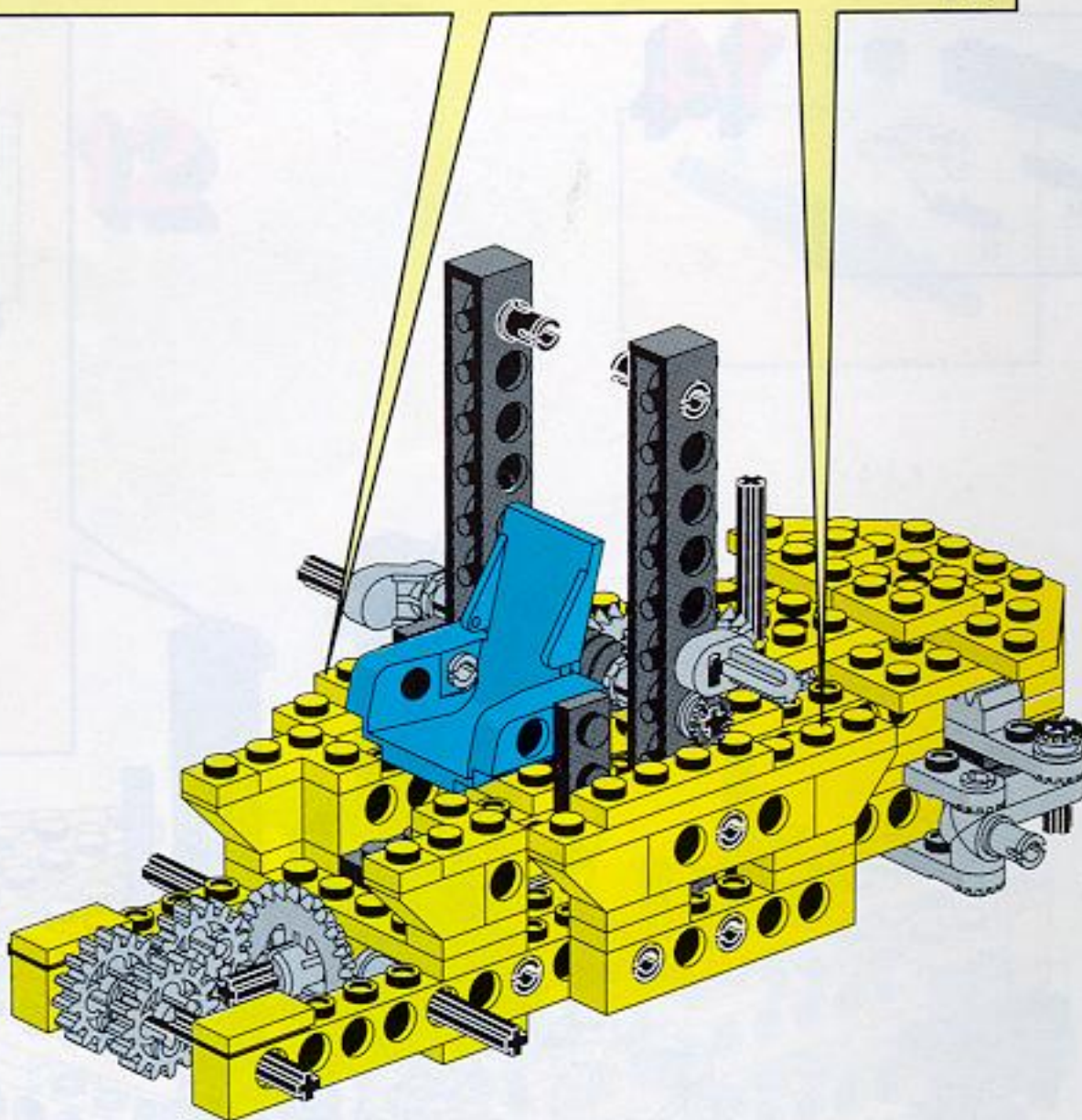
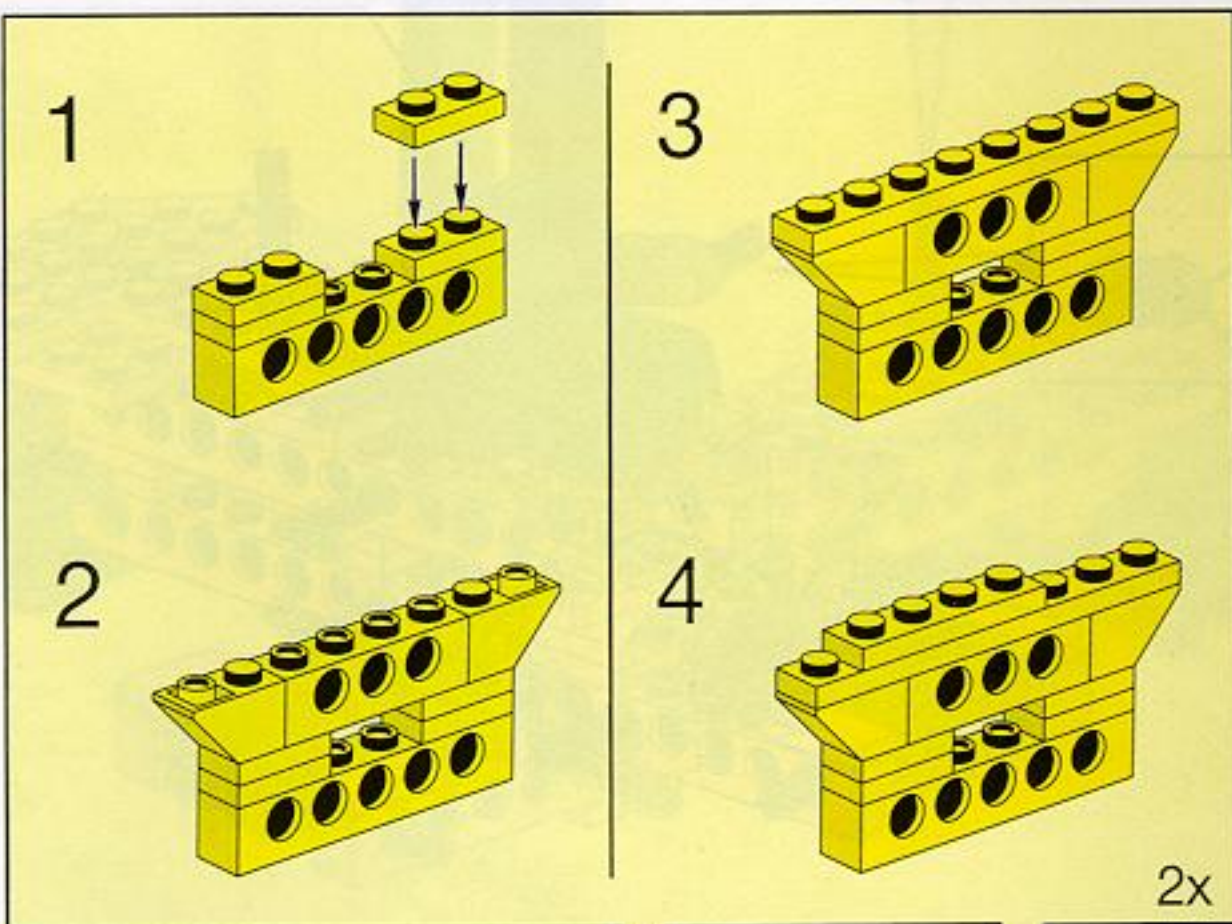
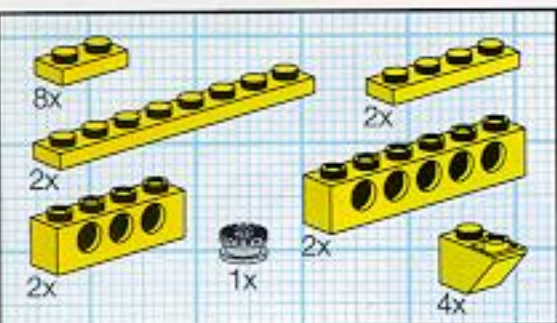
13



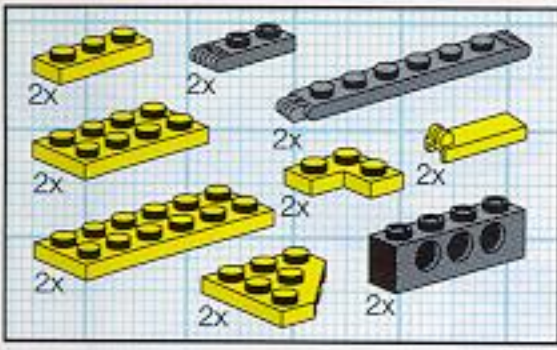
14



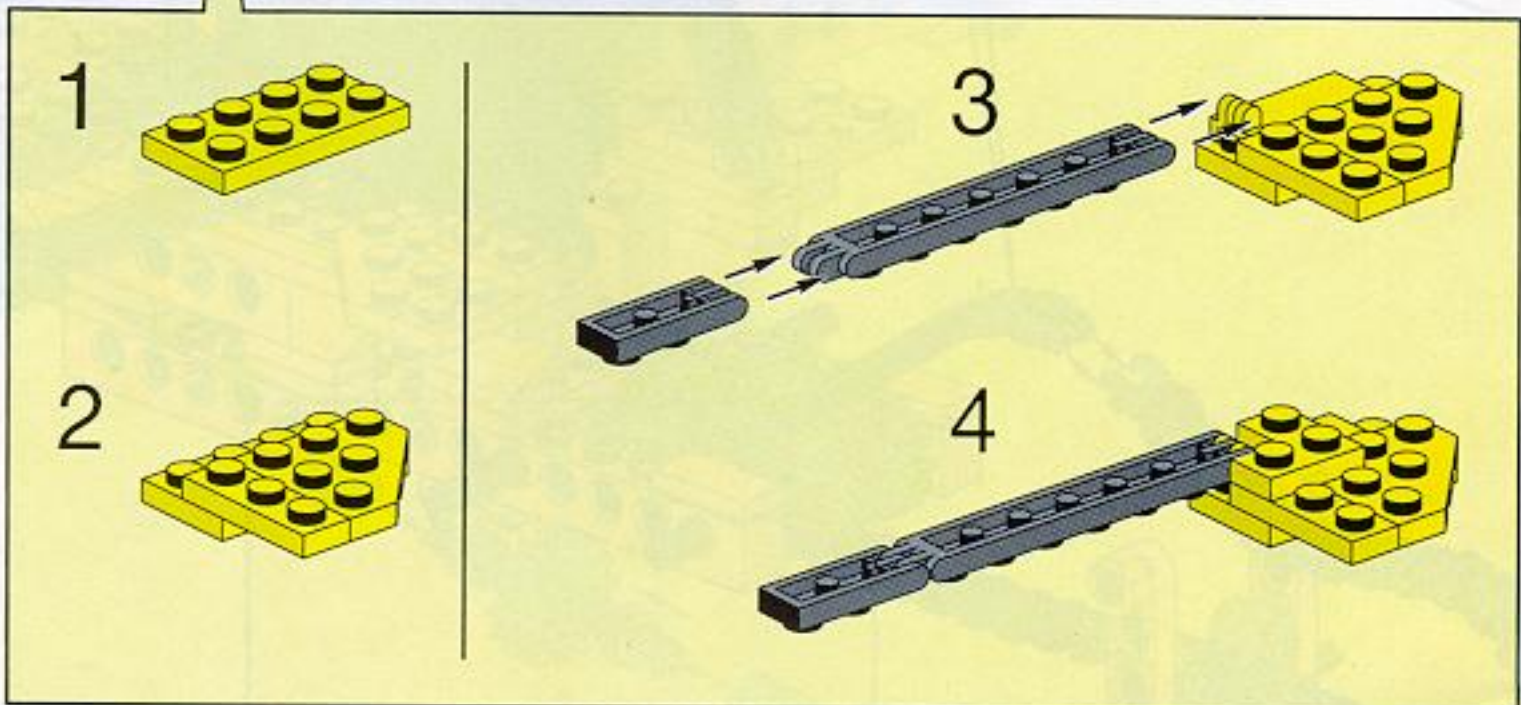
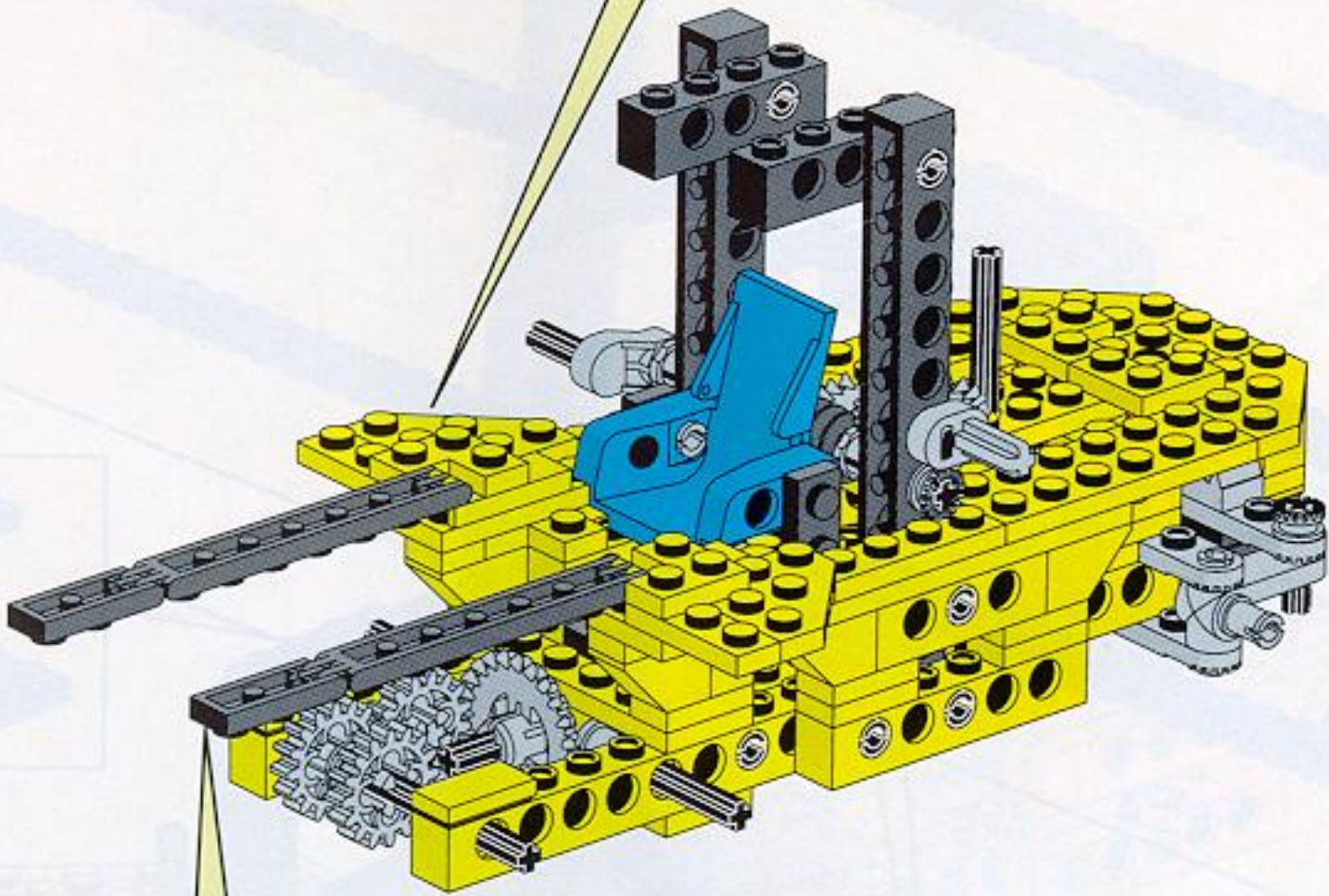
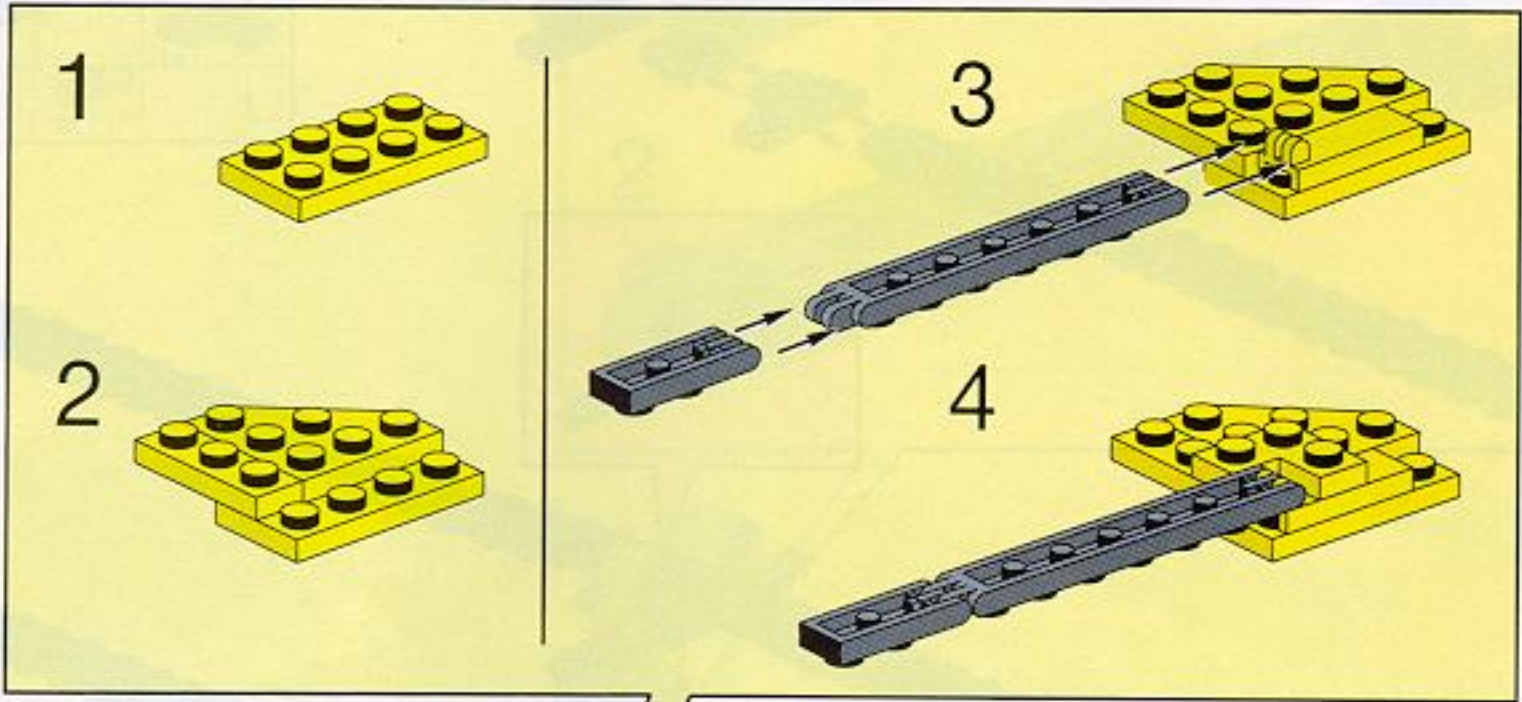
# 15



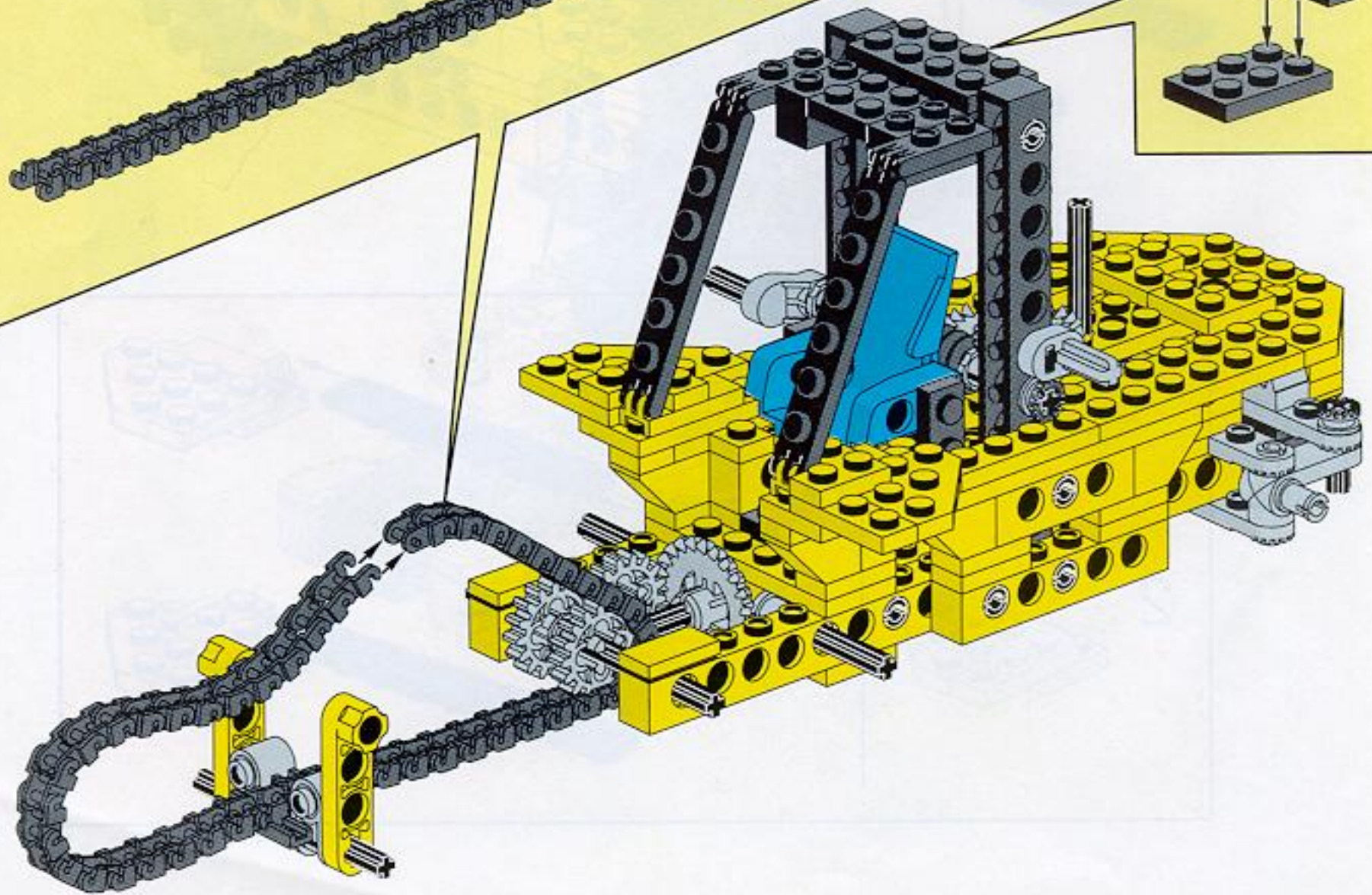
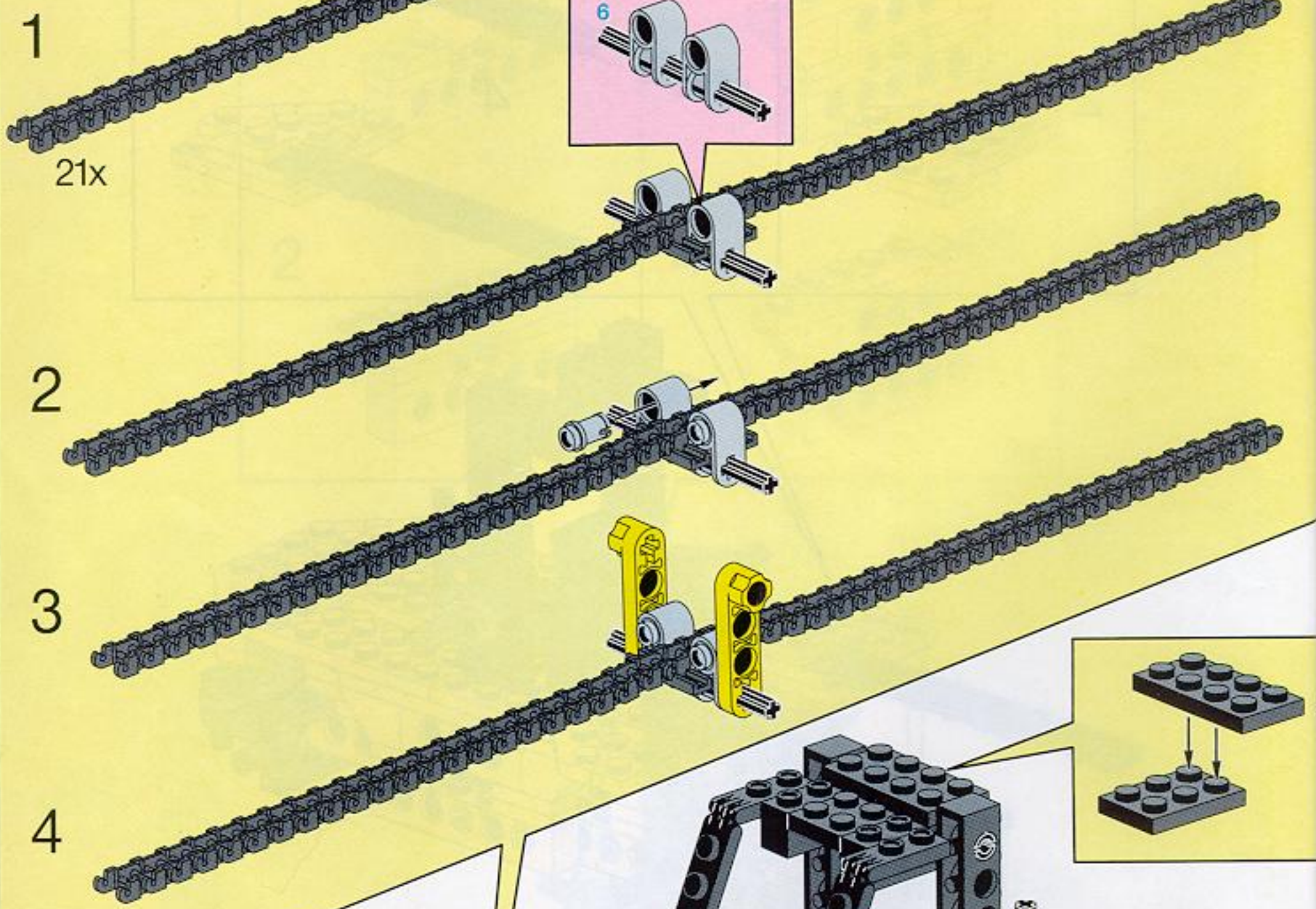
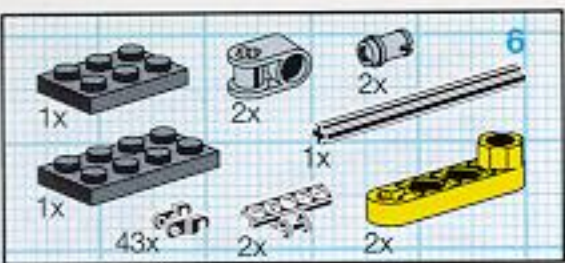




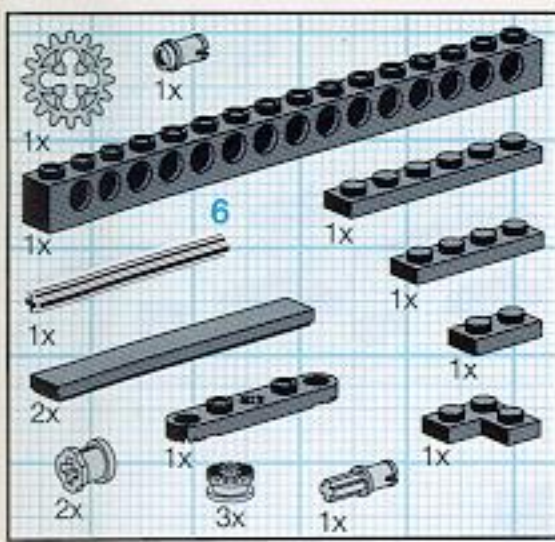
# 16



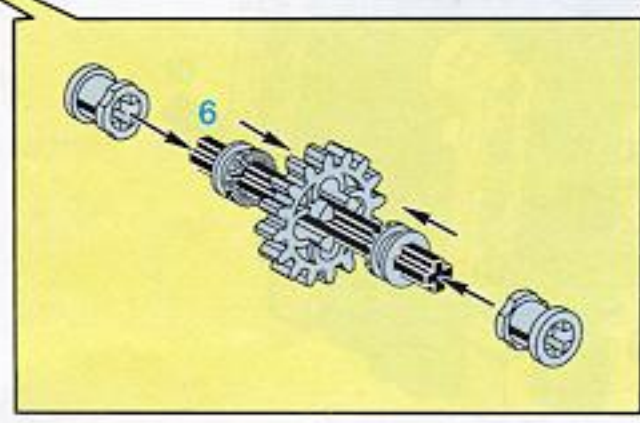
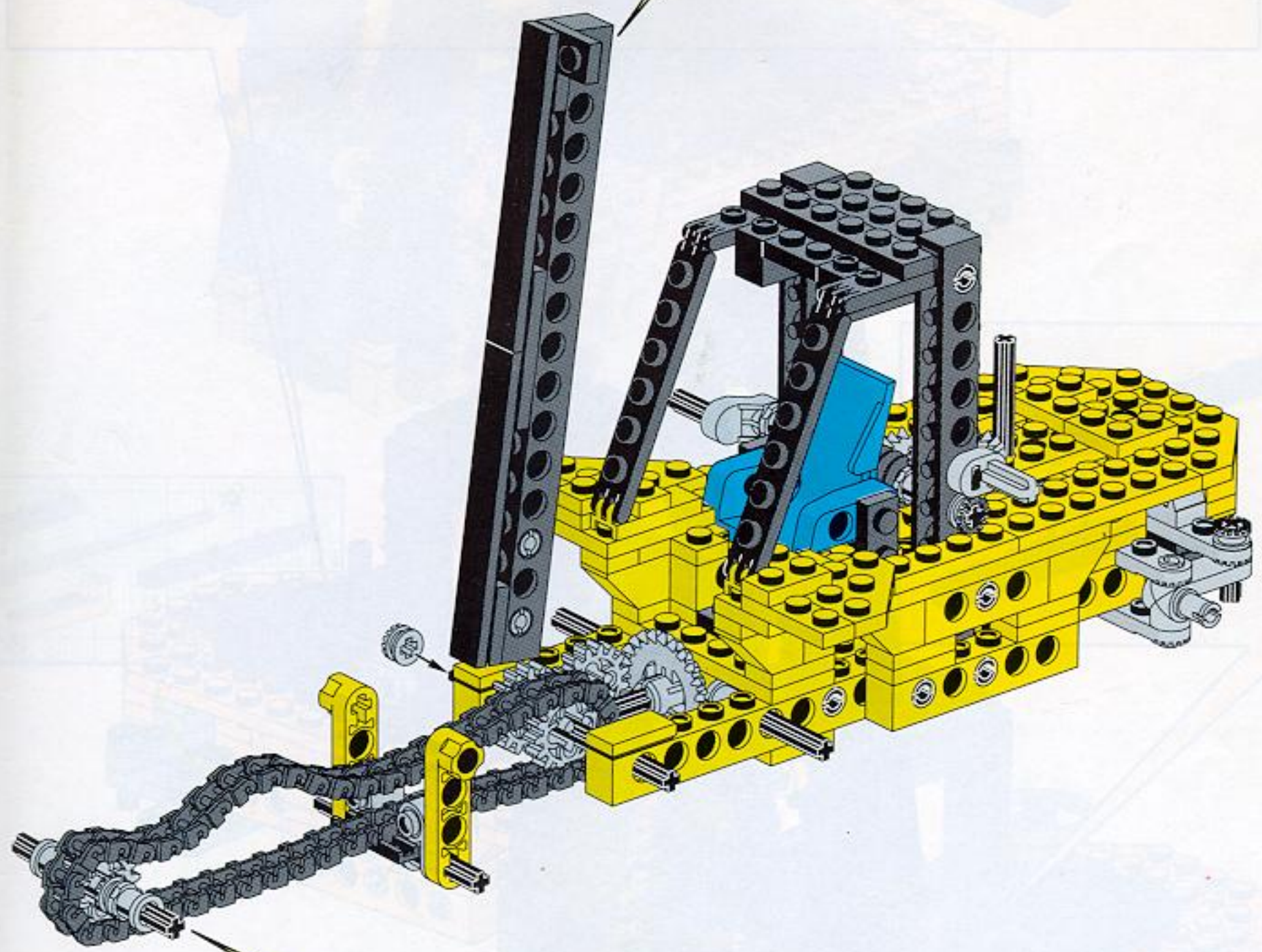
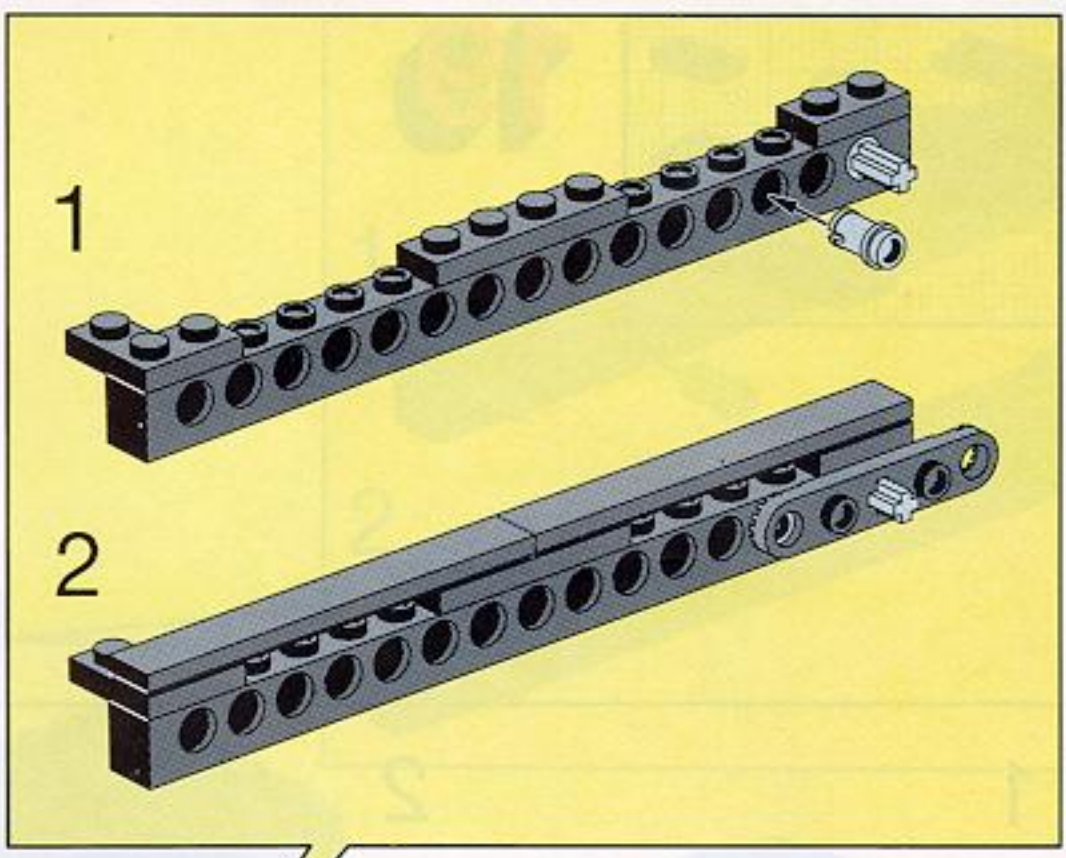
# 17



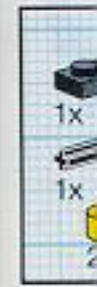
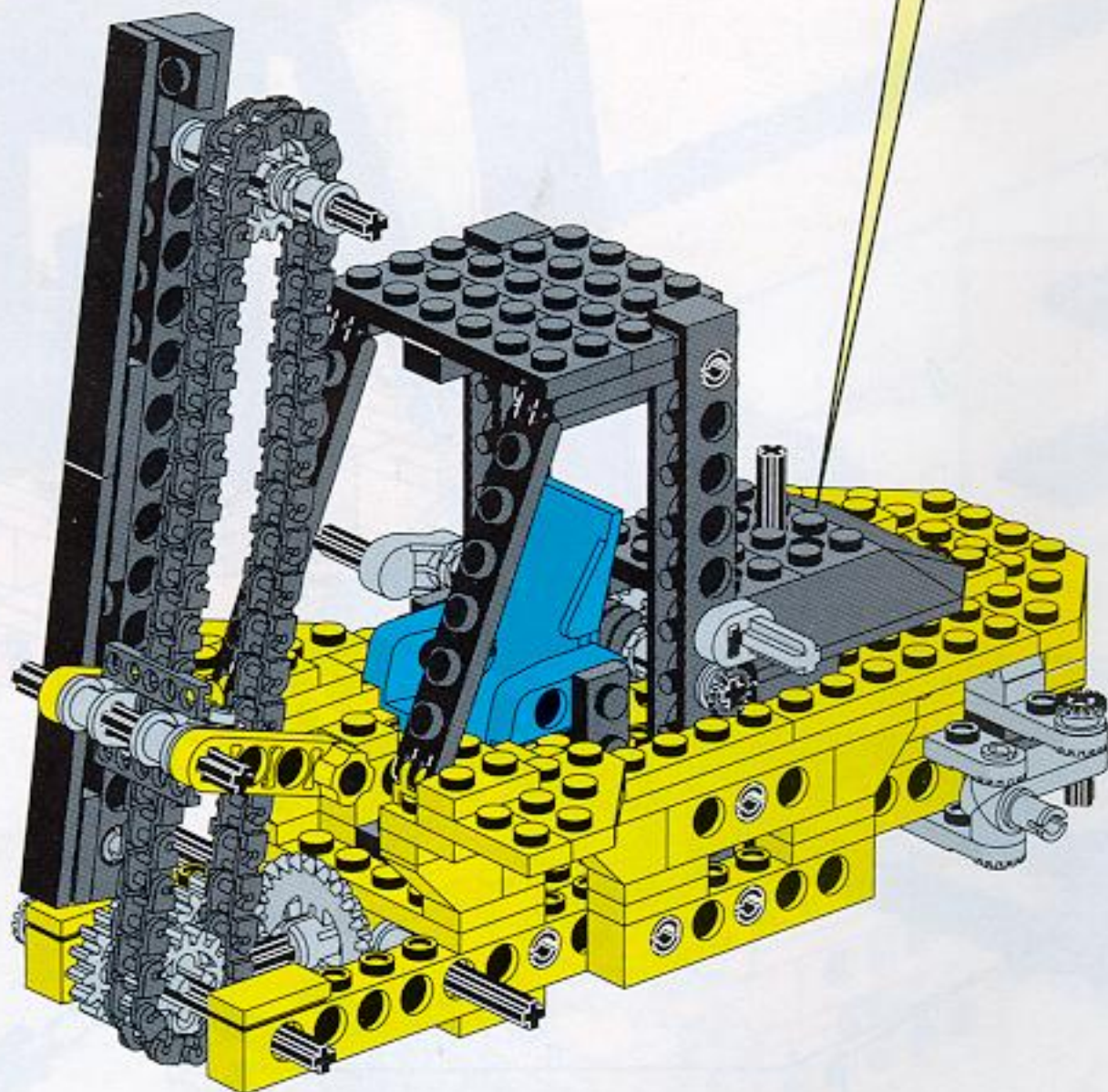
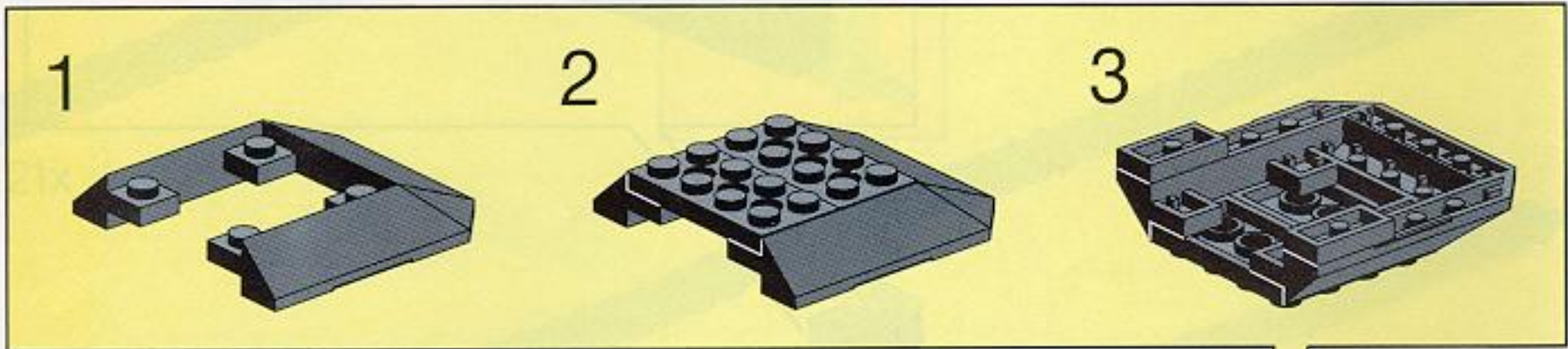
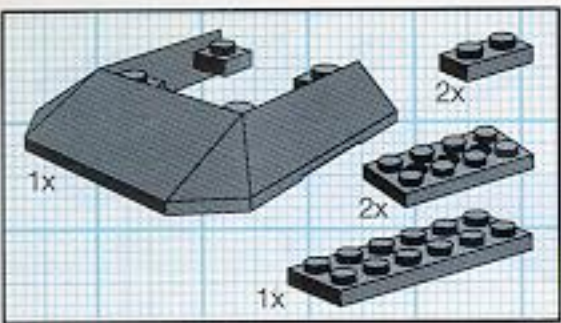
1x

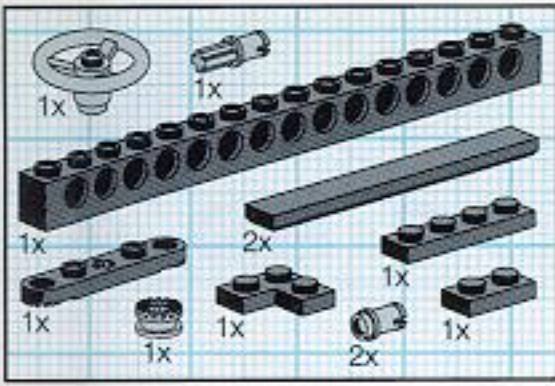


# 18

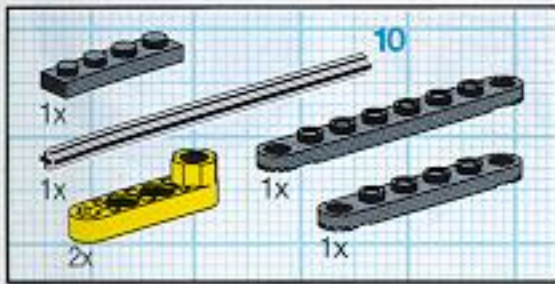
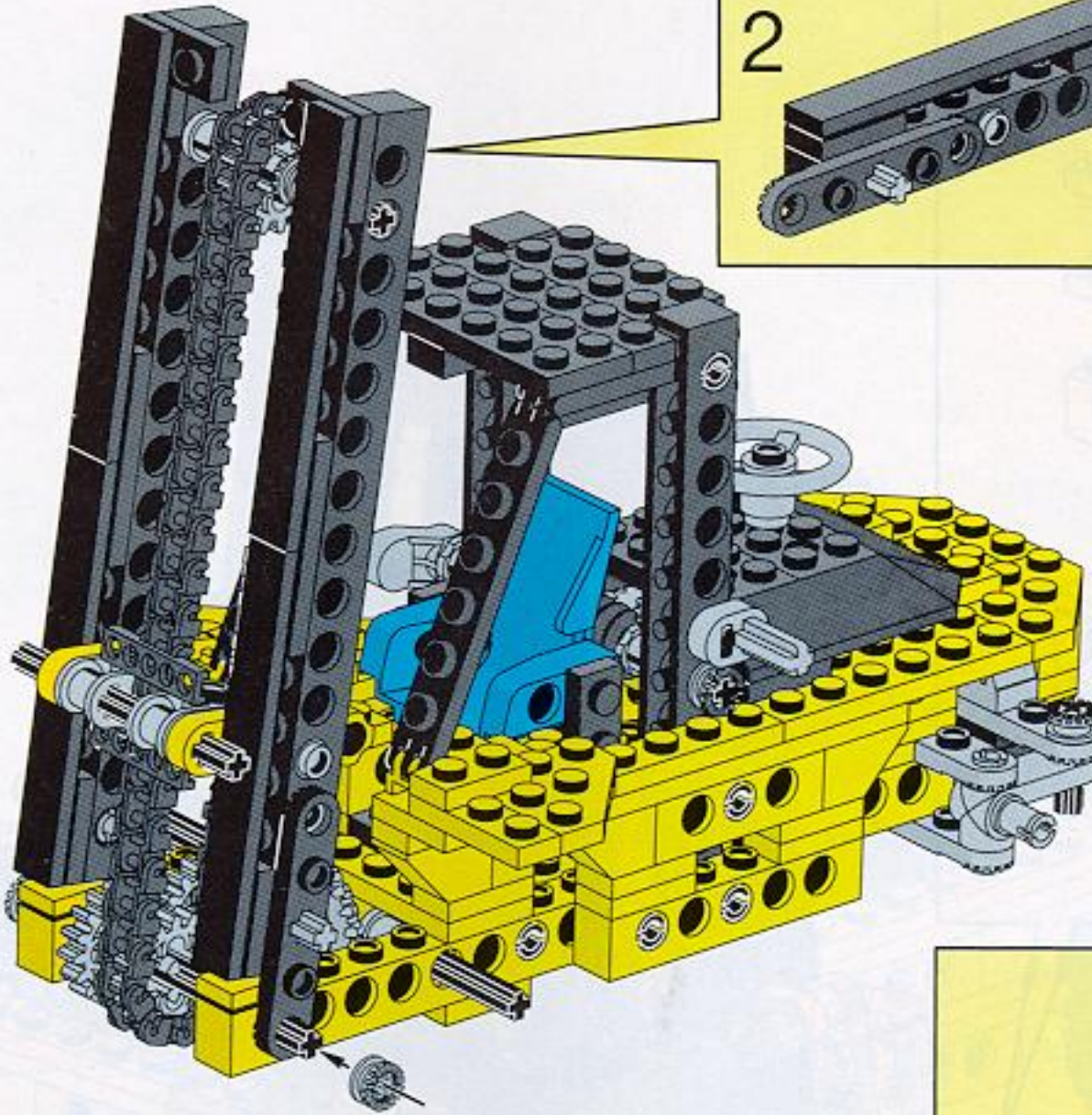
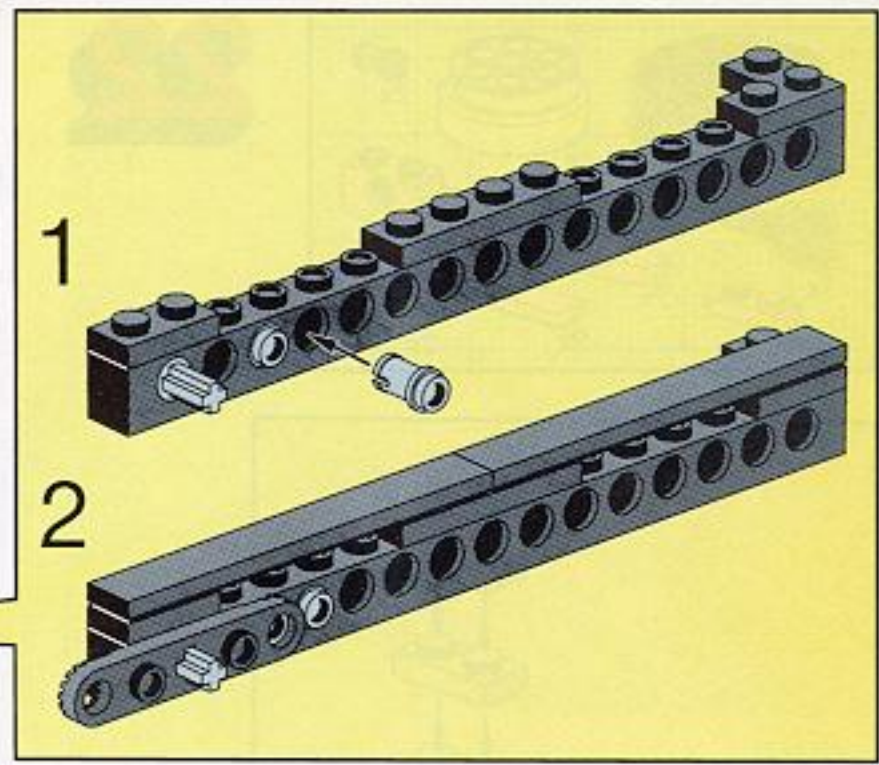


# 19

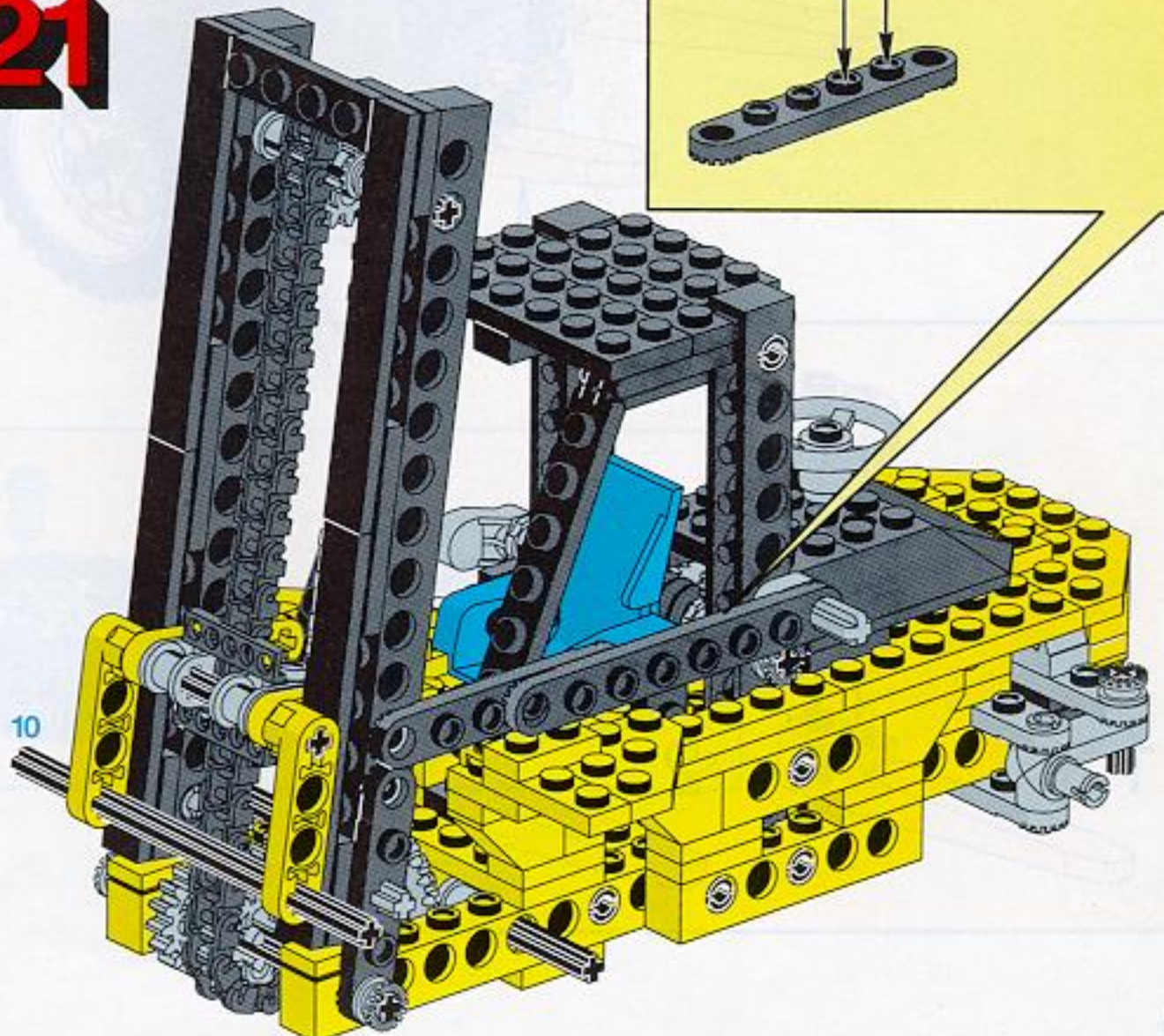
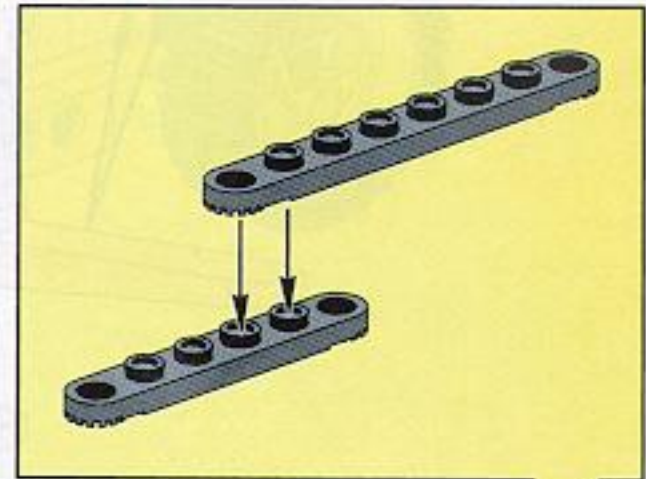




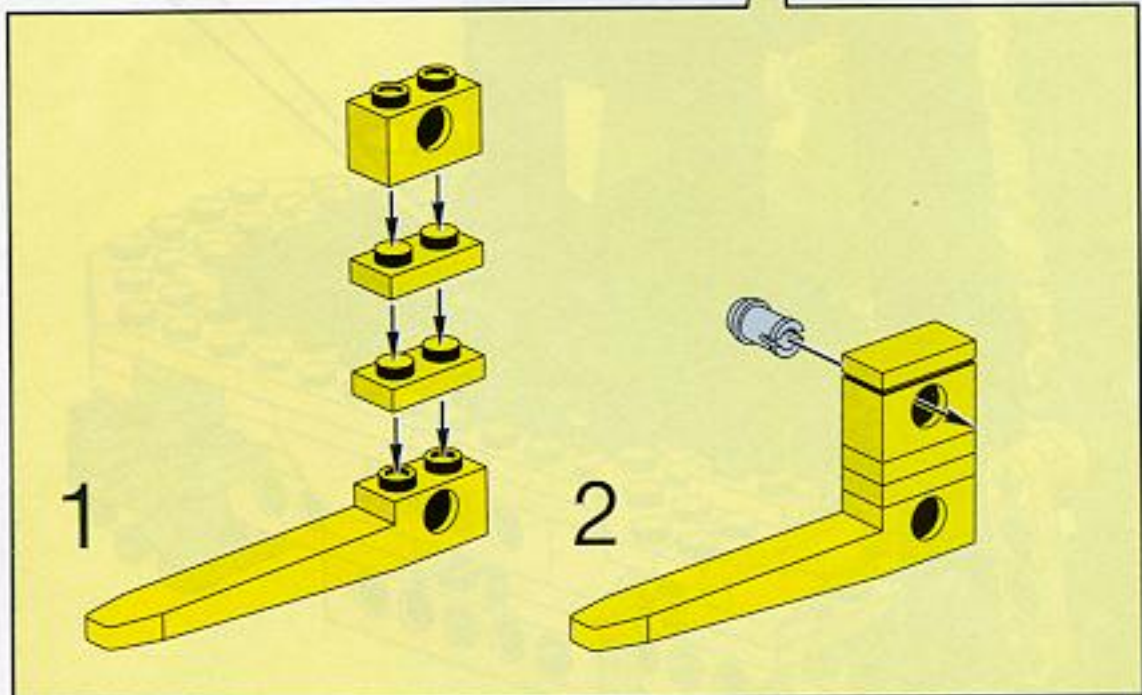
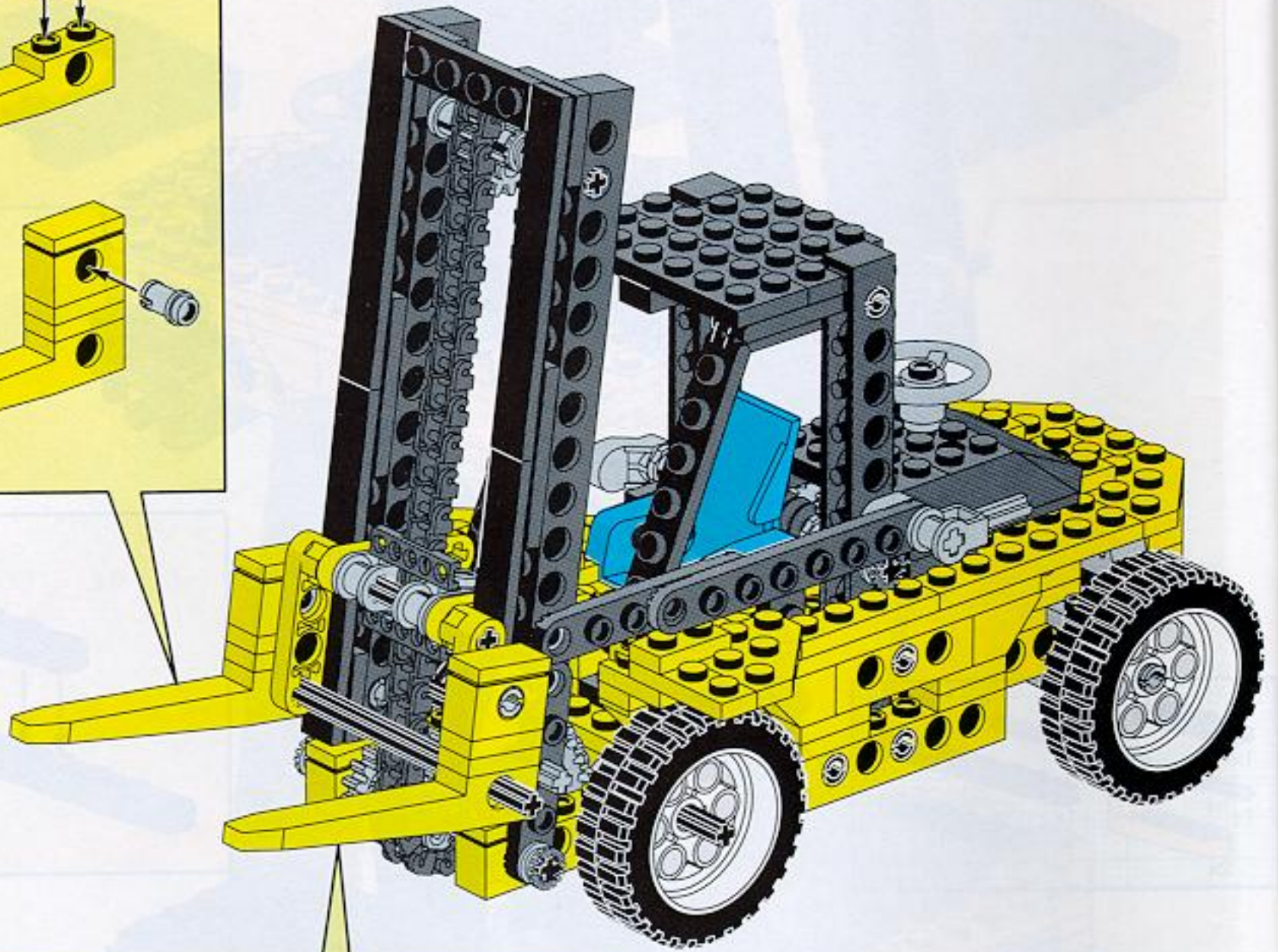
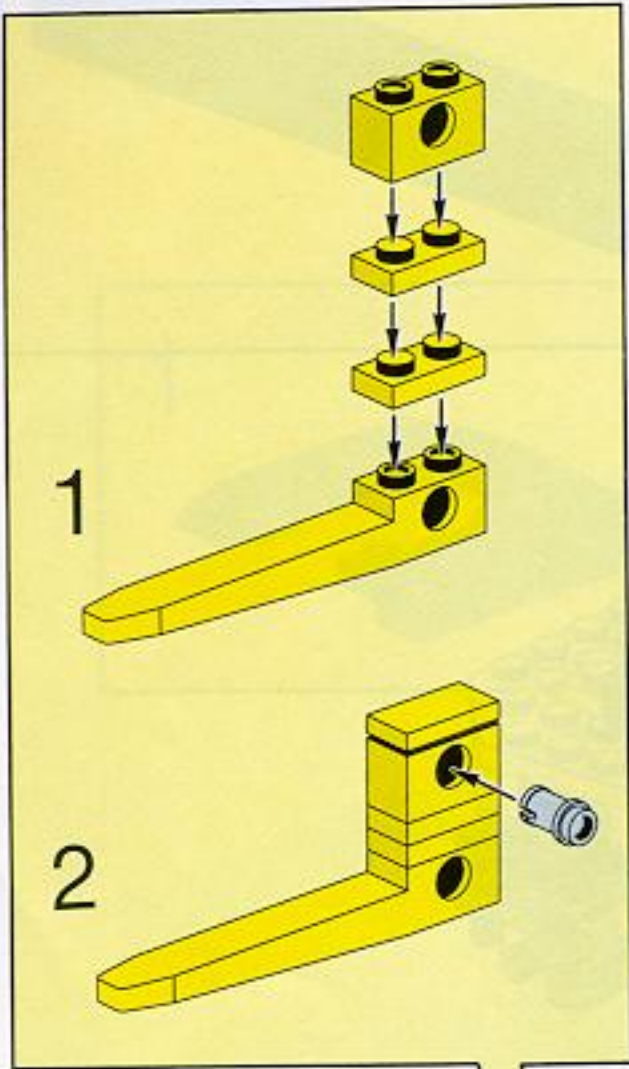
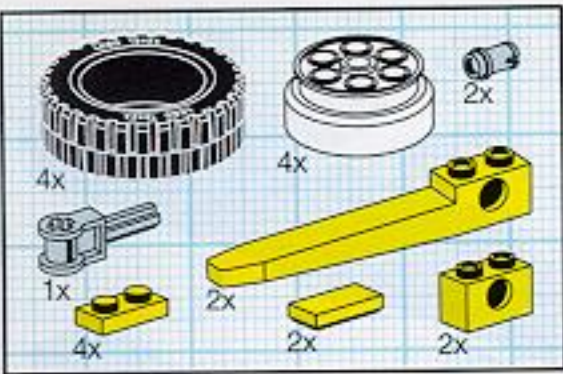
**20**



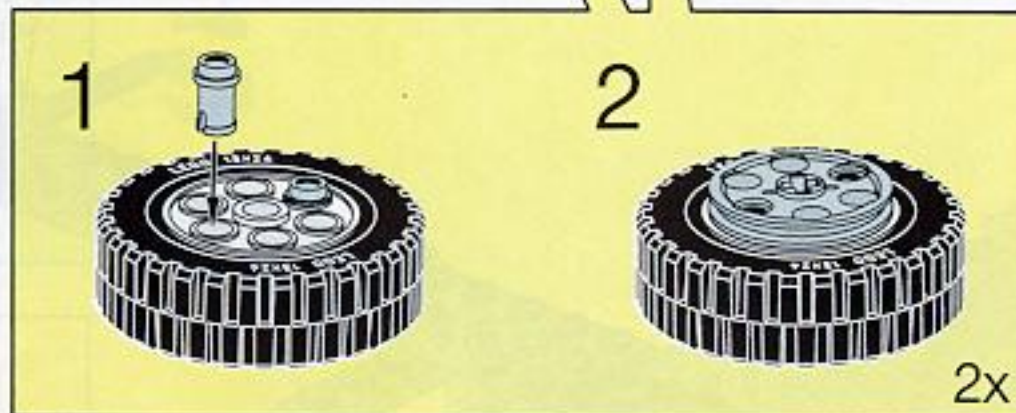
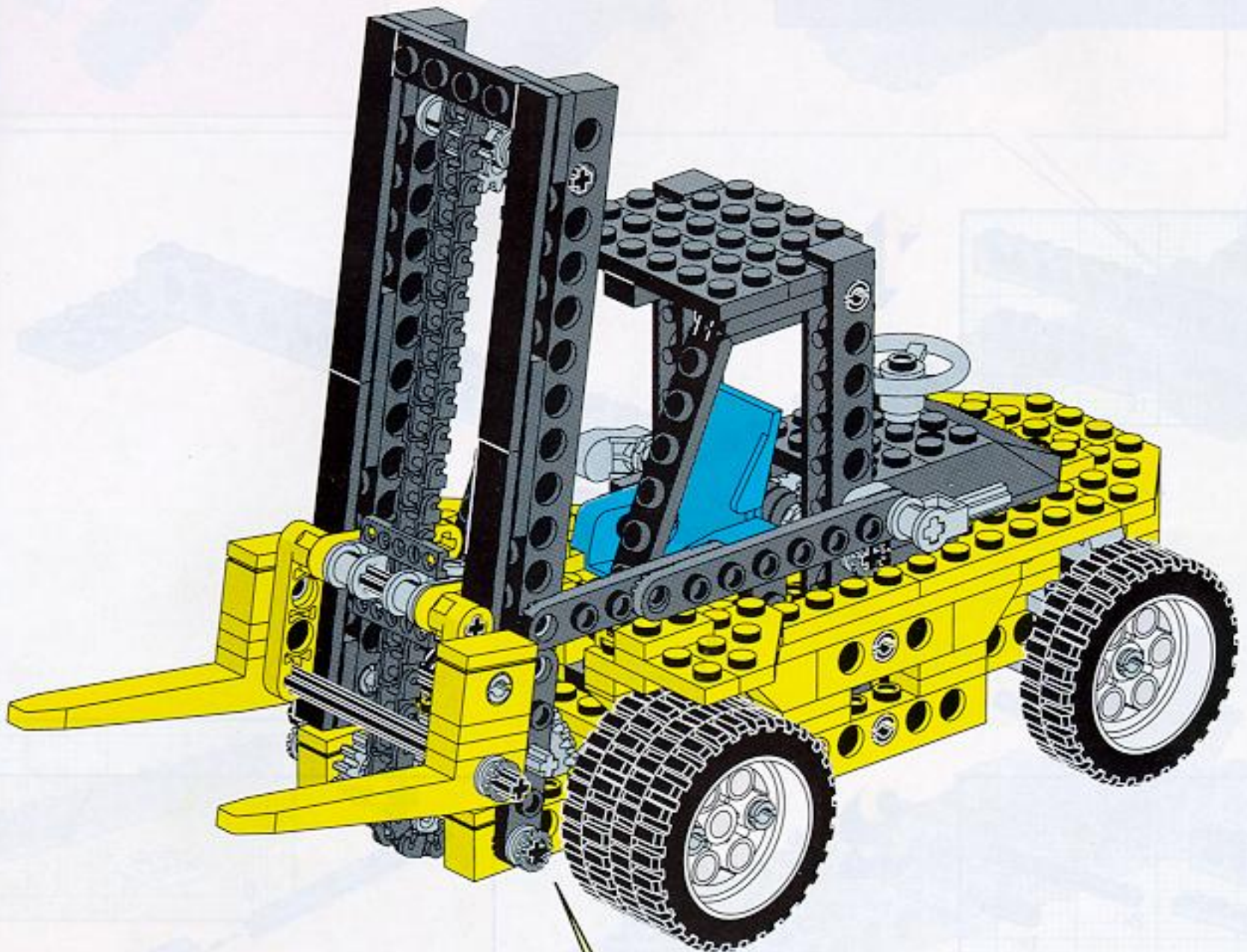
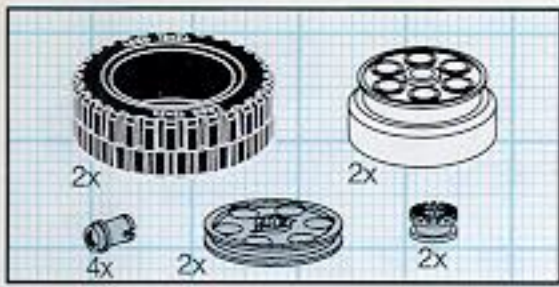
**21**

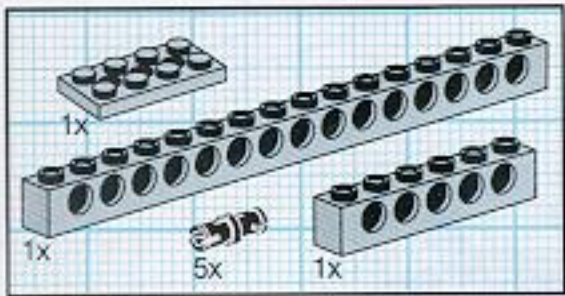
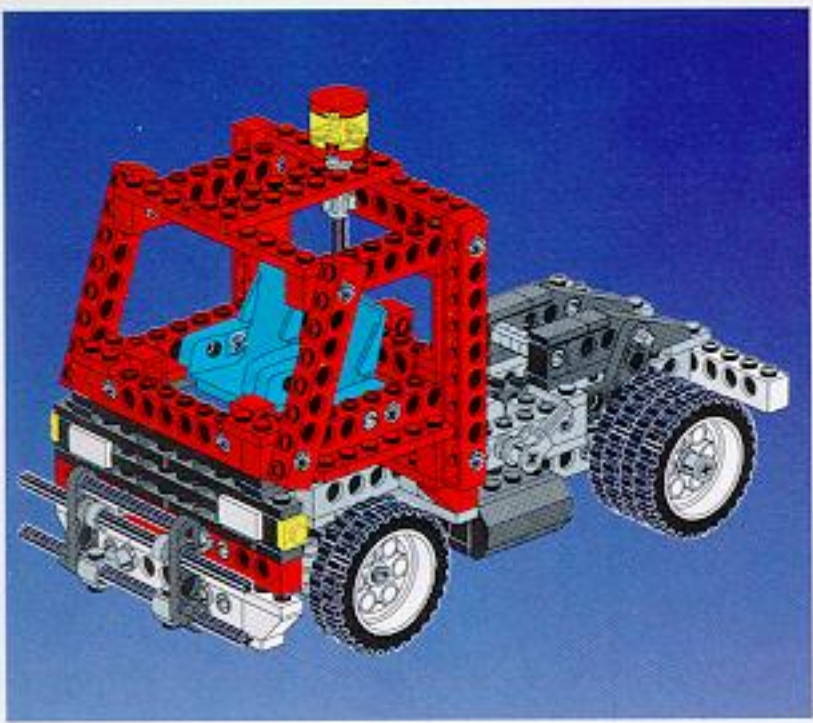


# 22

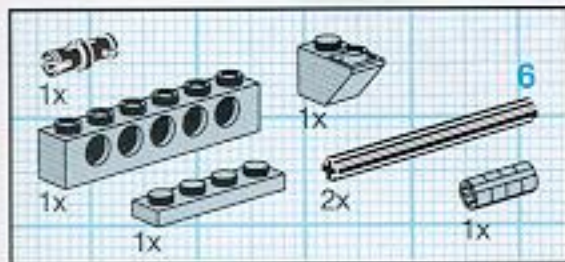
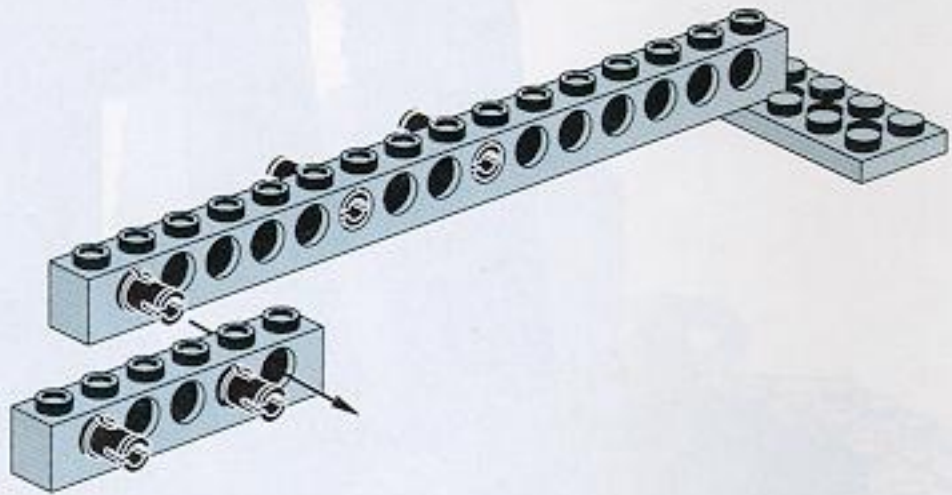


# 23

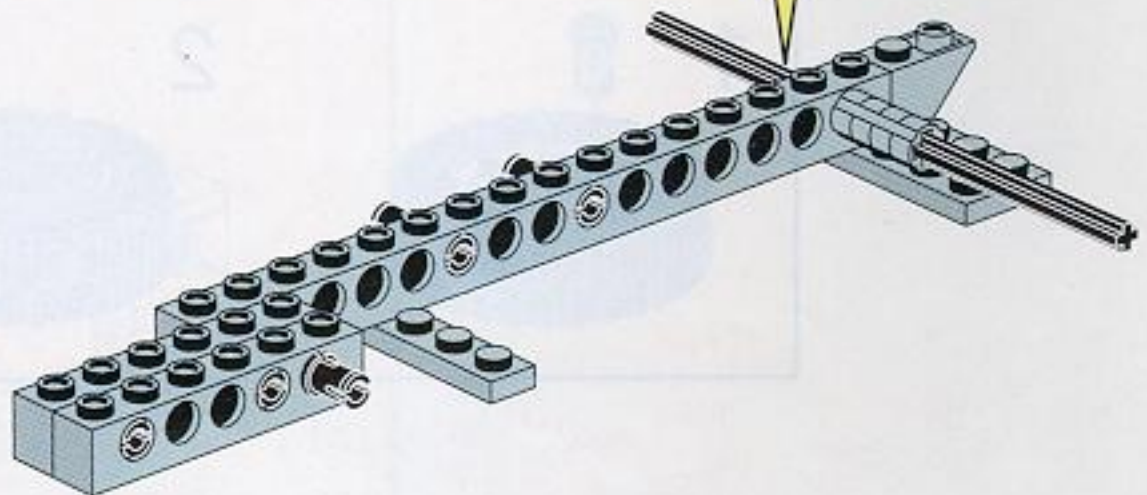
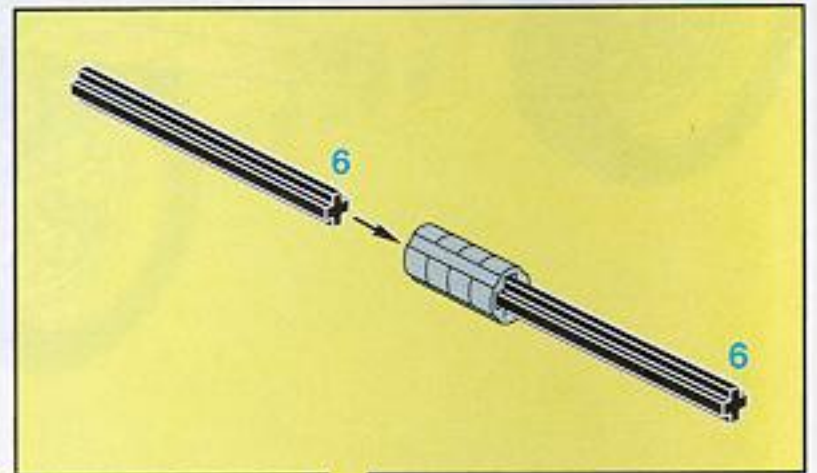




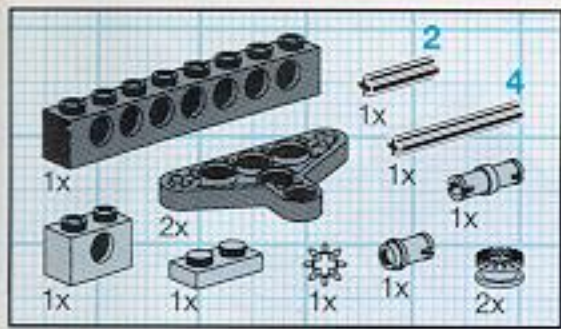
1



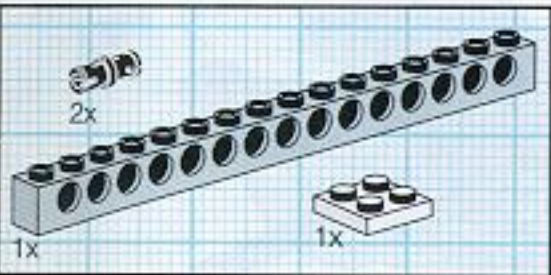
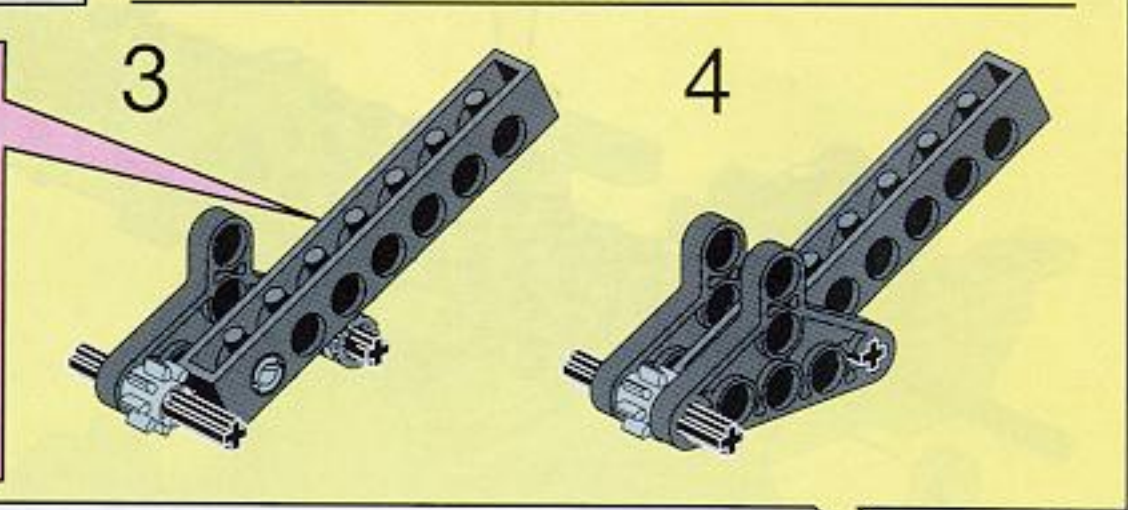
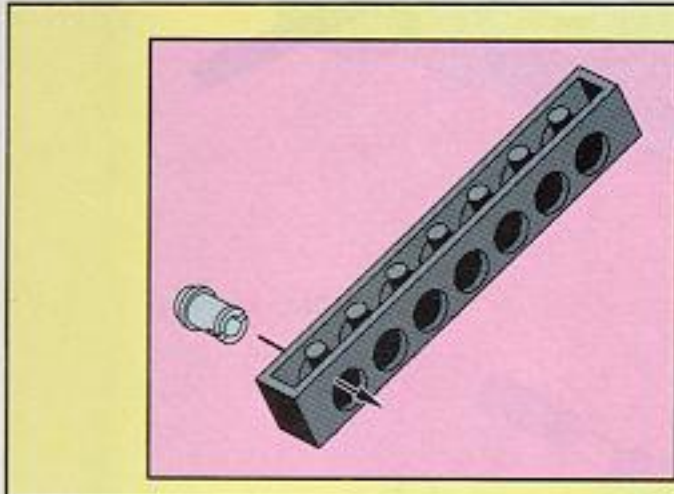
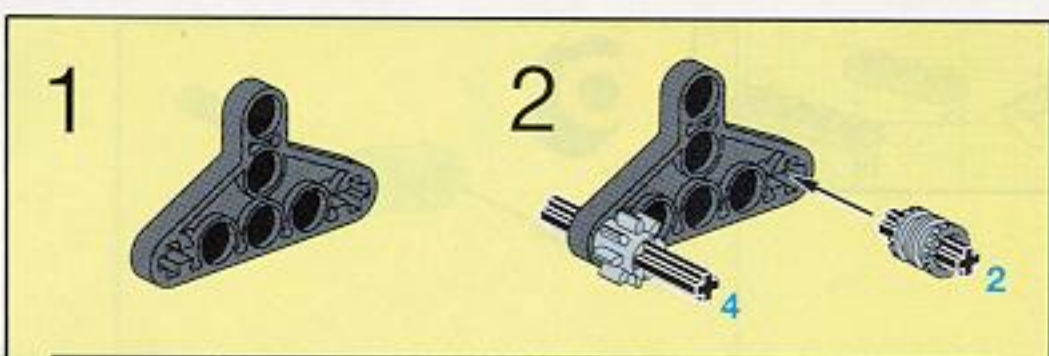
2



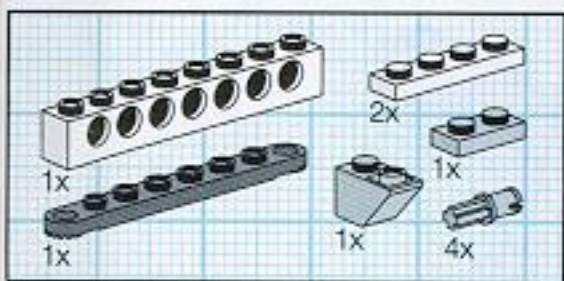
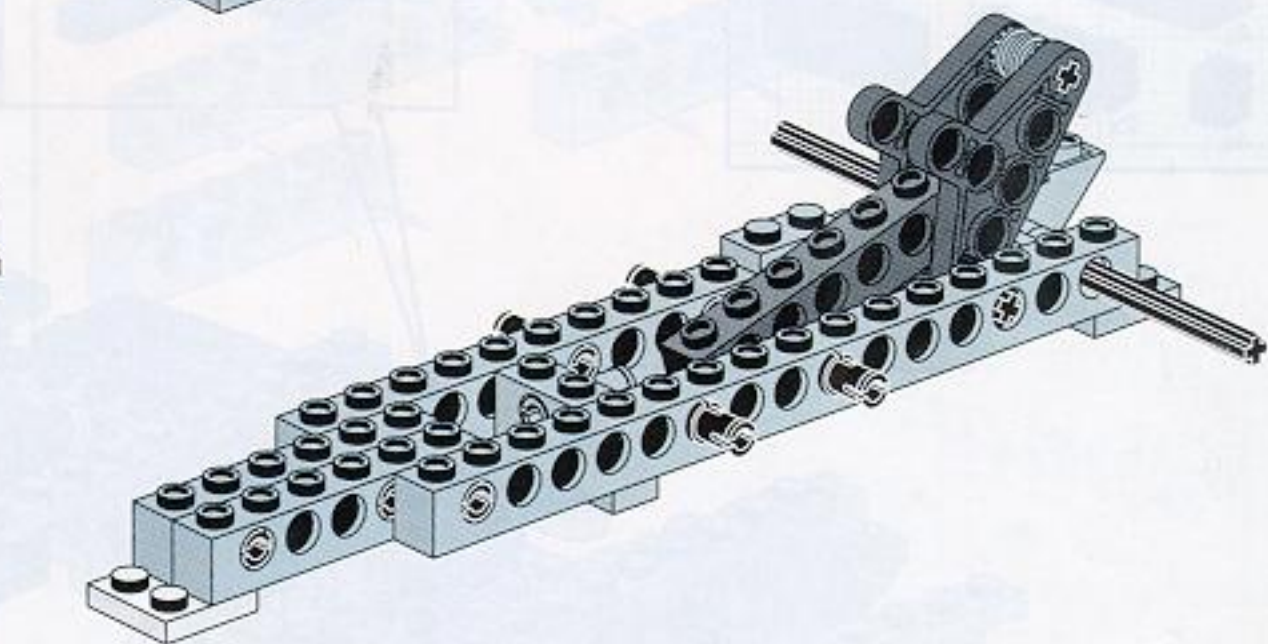




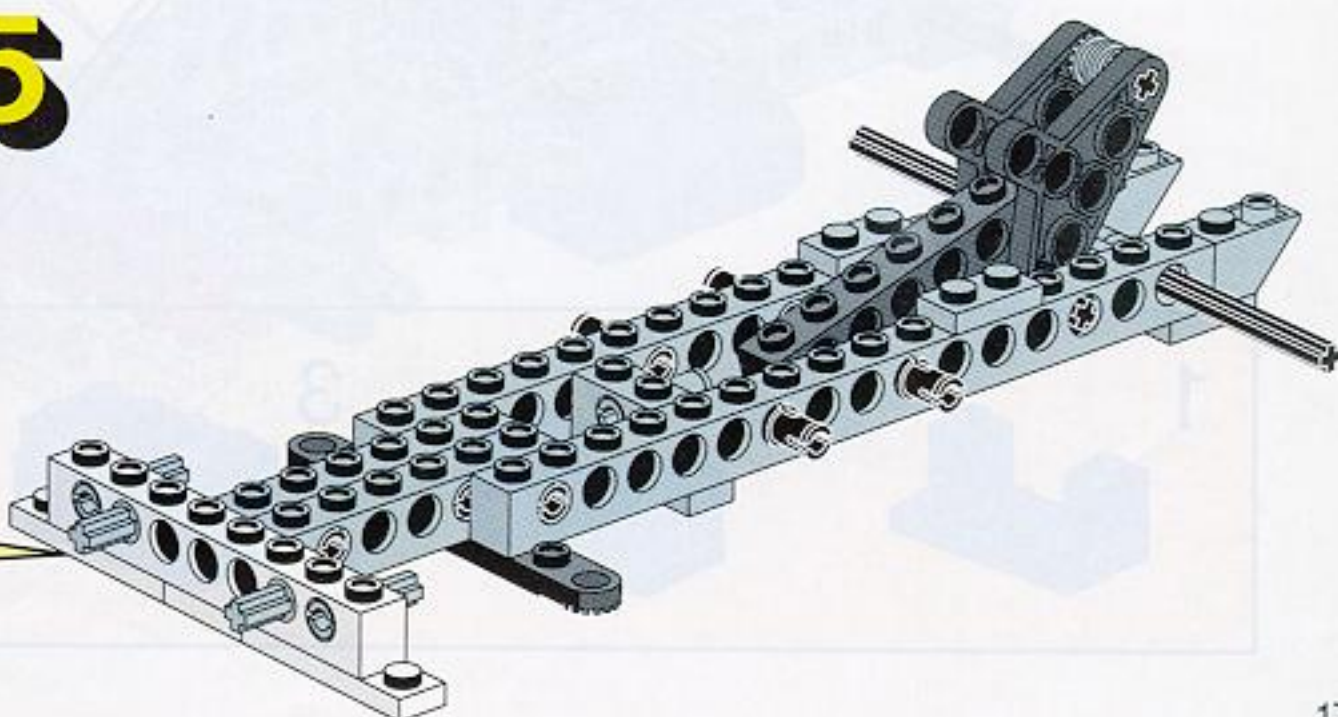
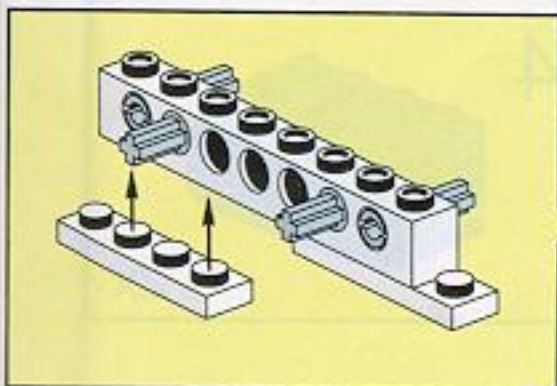
**3**

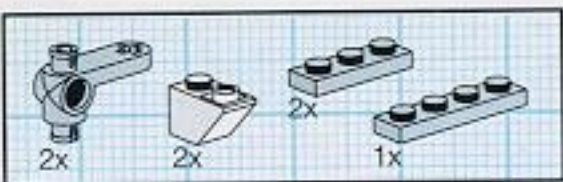


**4**

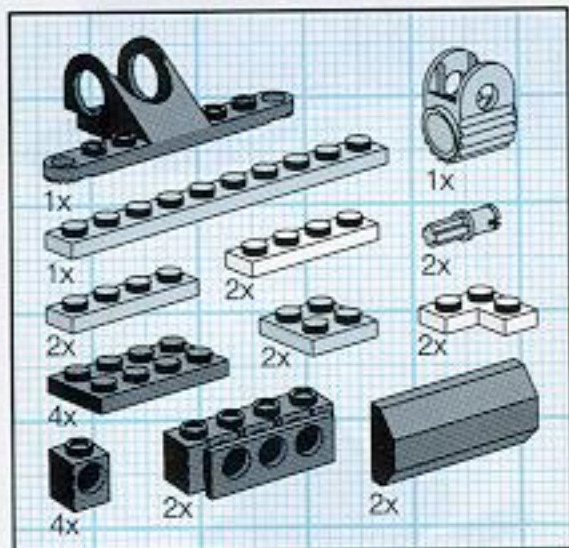
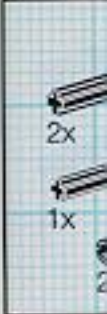
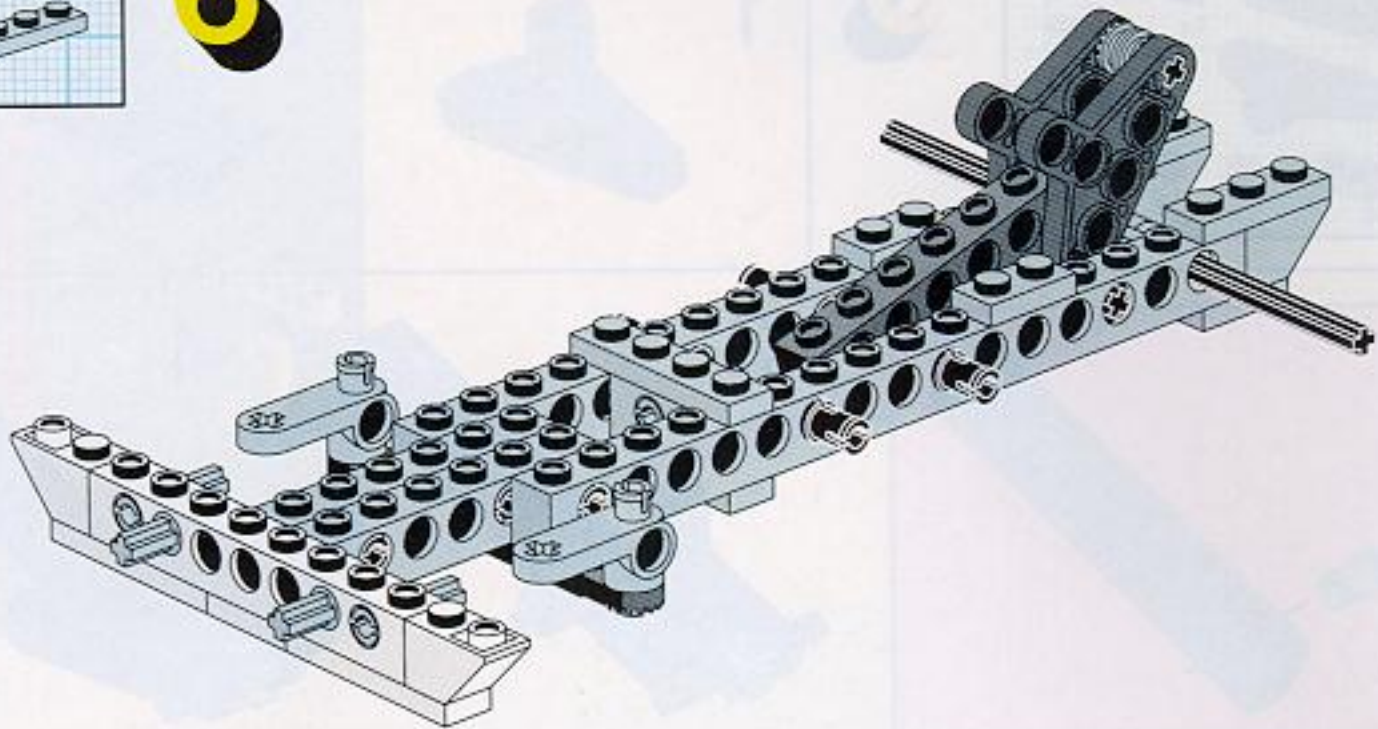


**5**

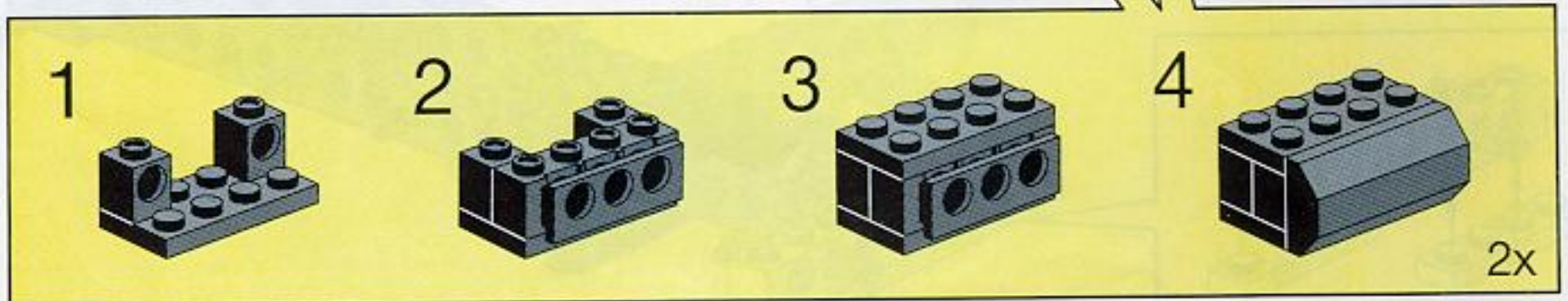
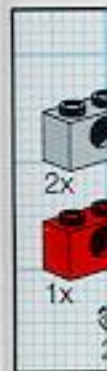
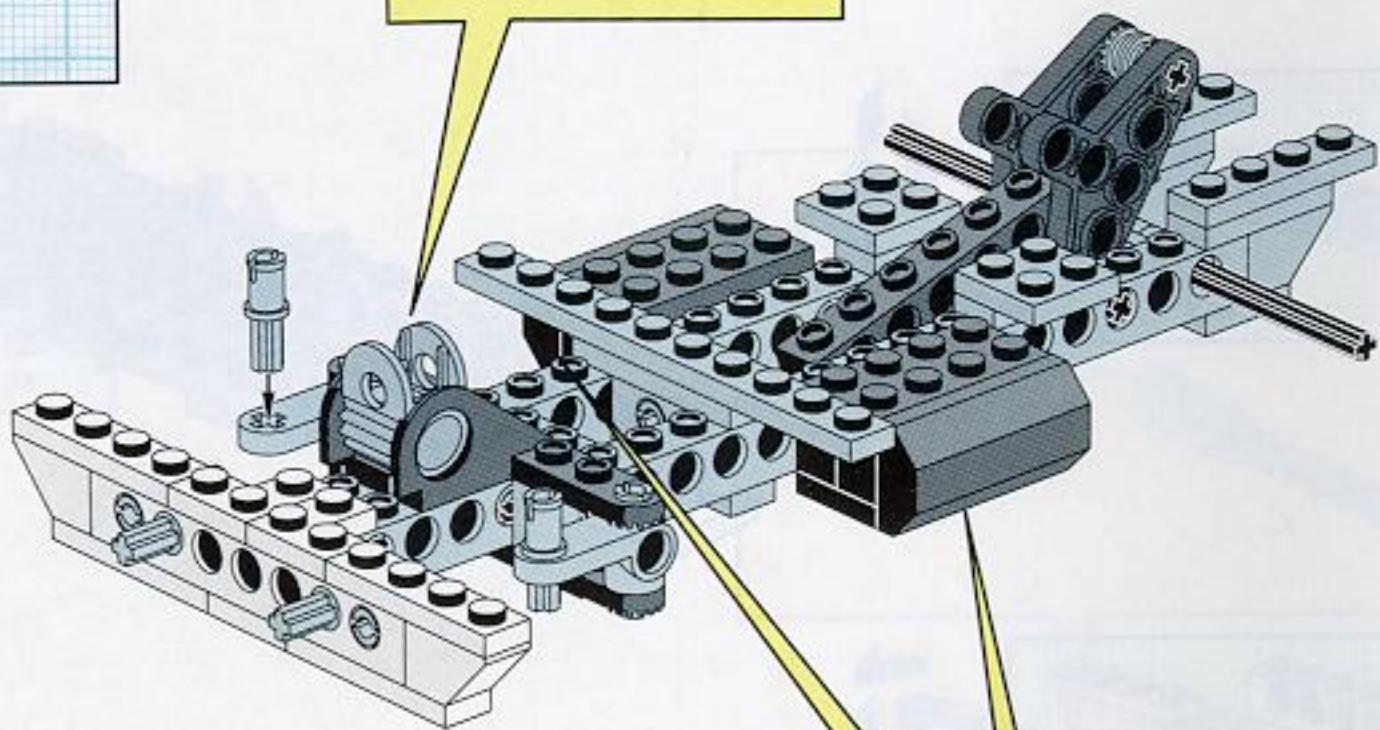
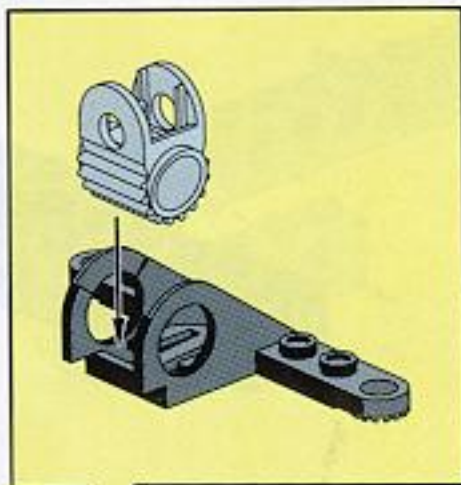




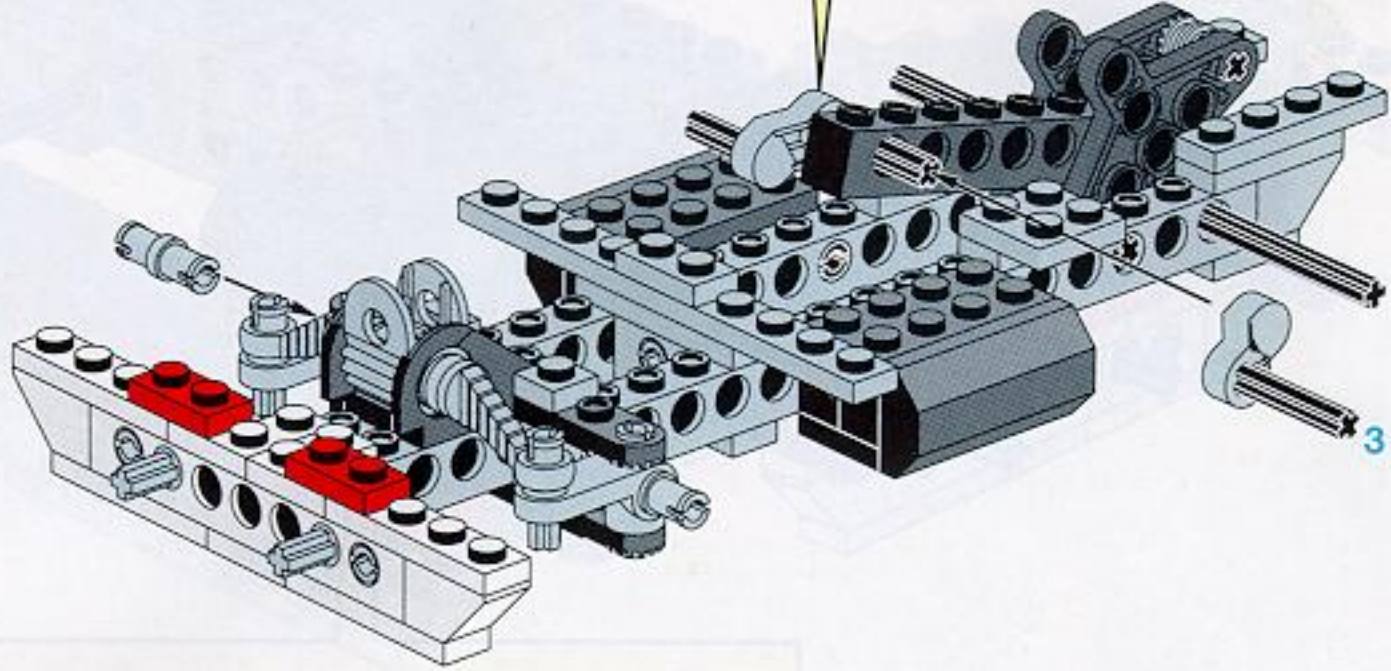
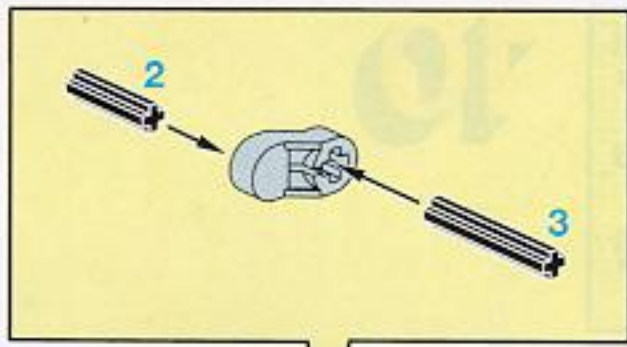
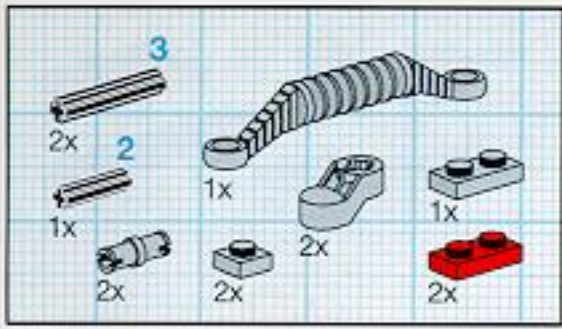
6



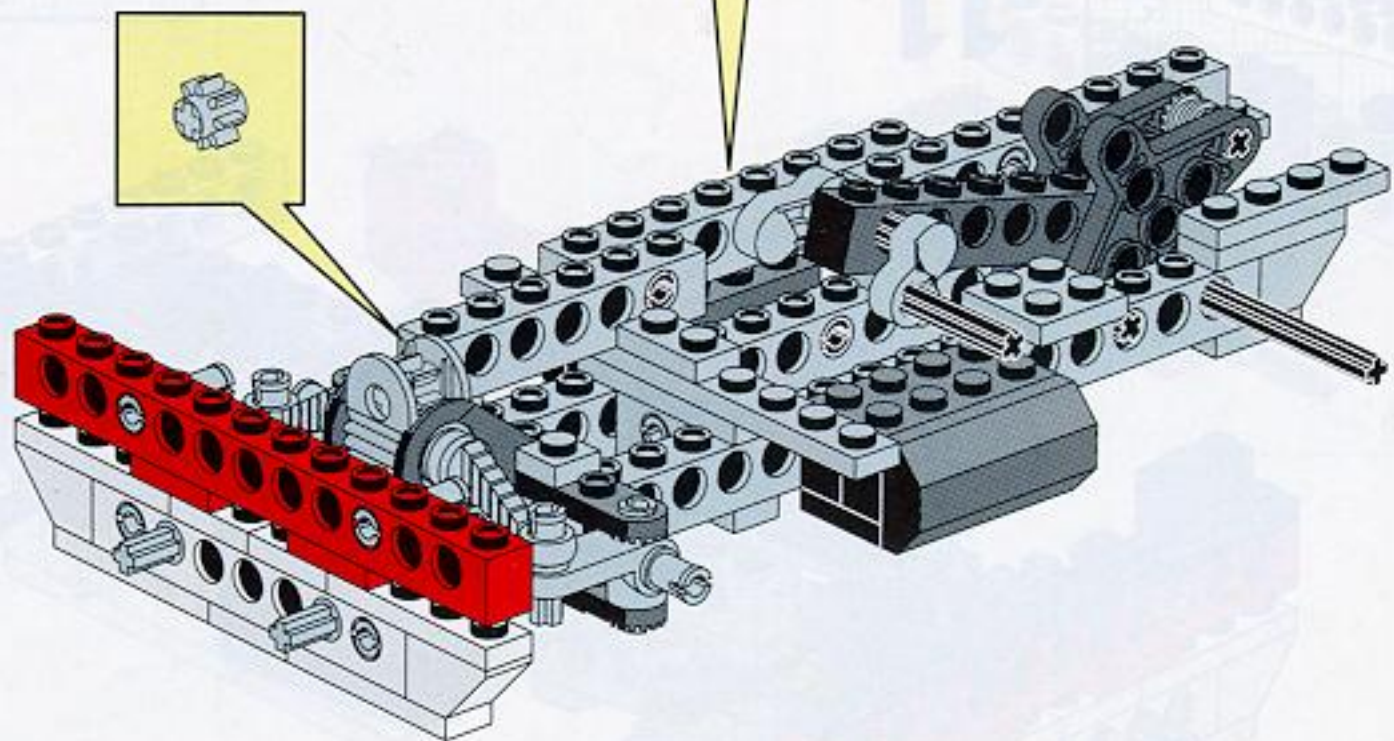
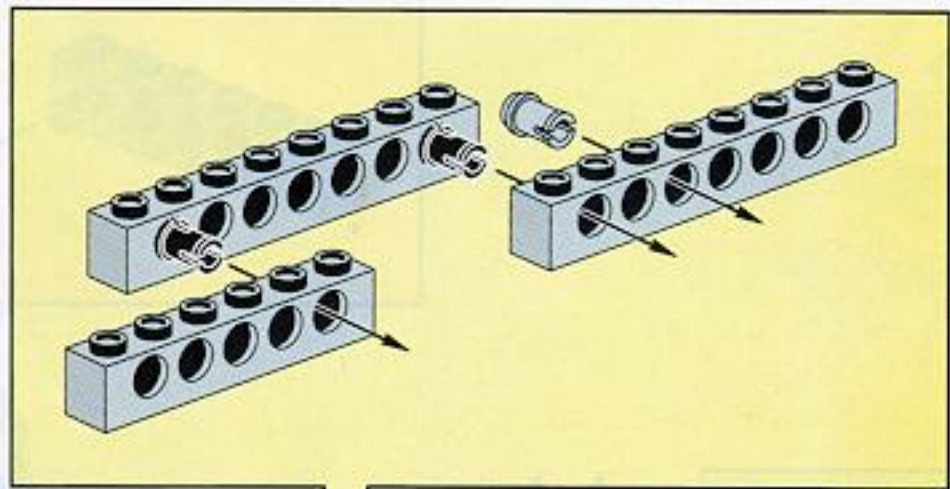
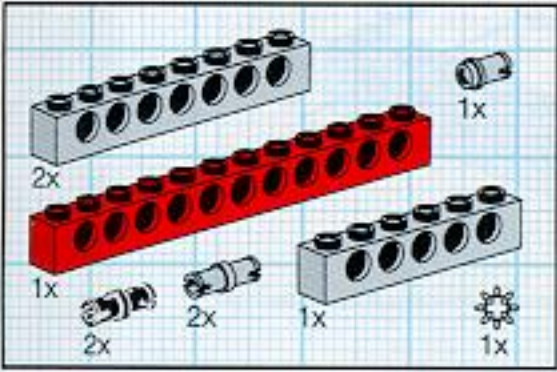
7



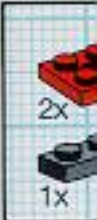
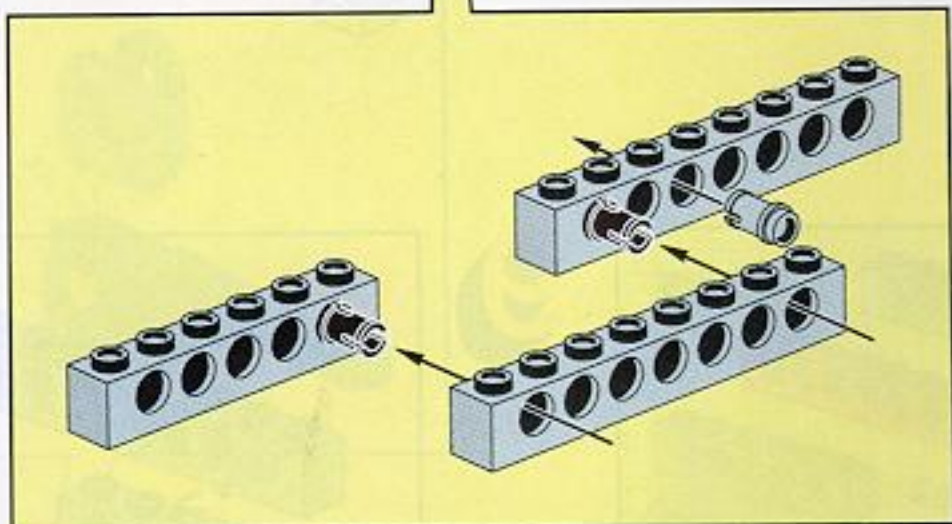
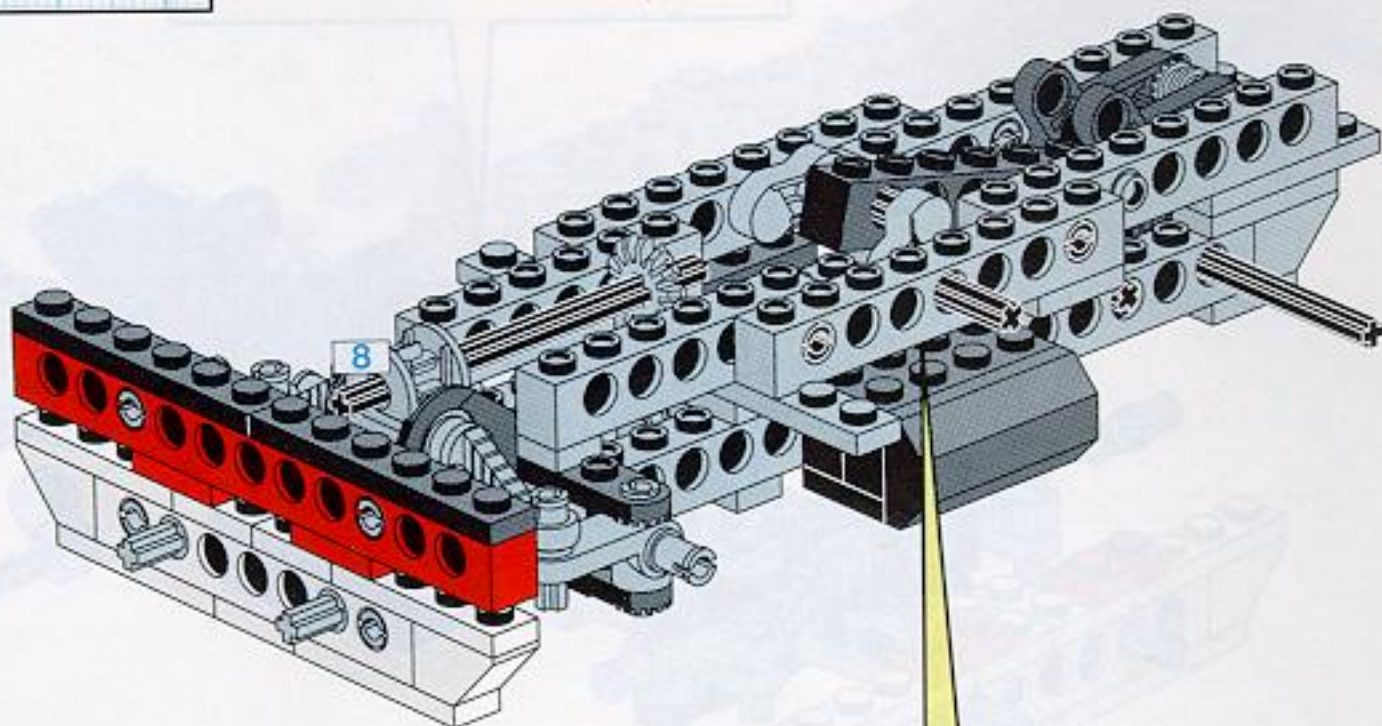
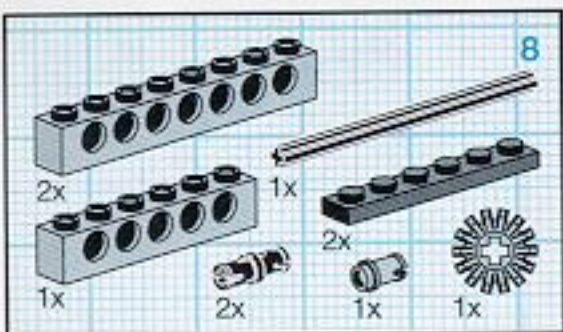
8



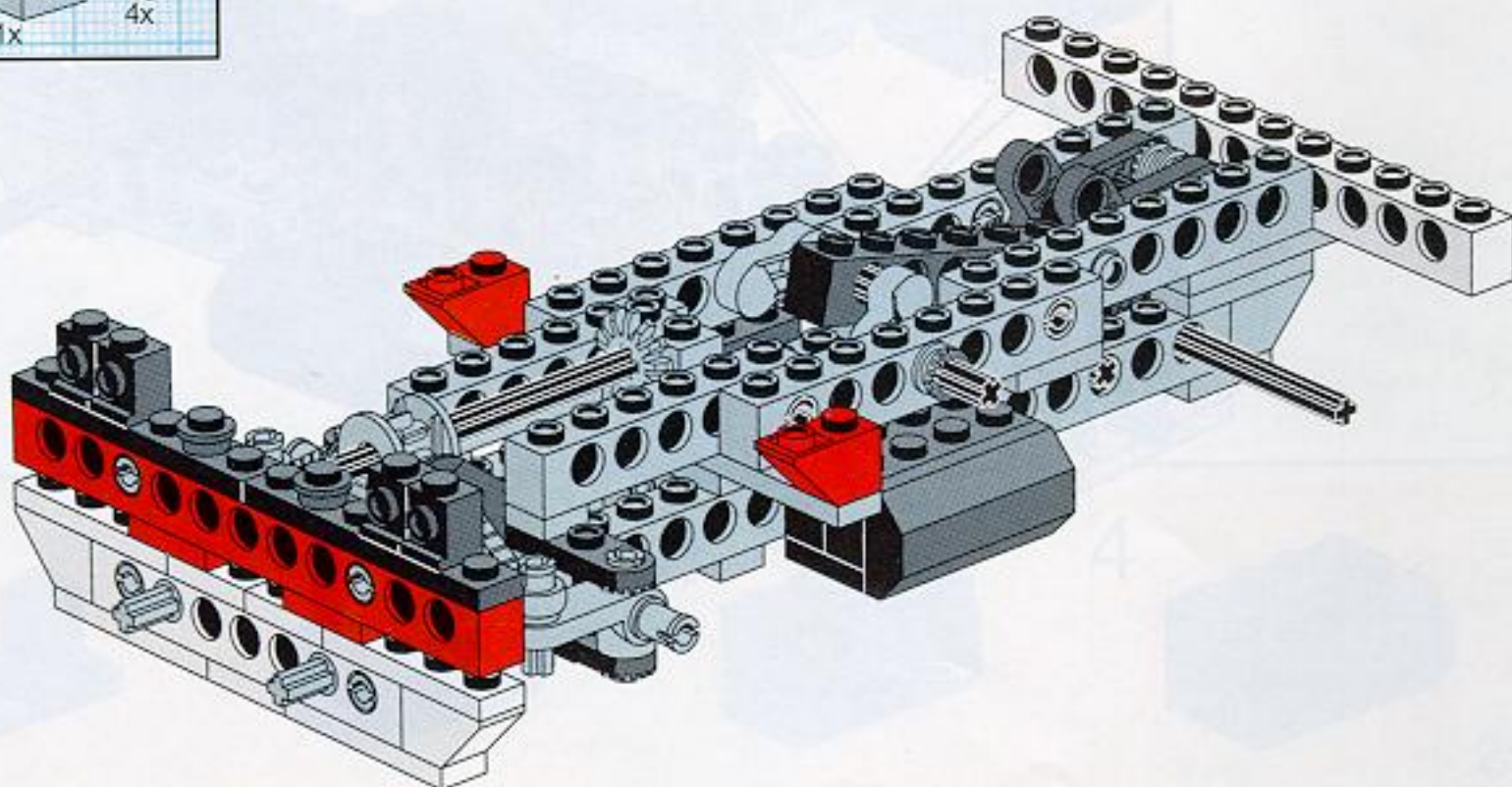
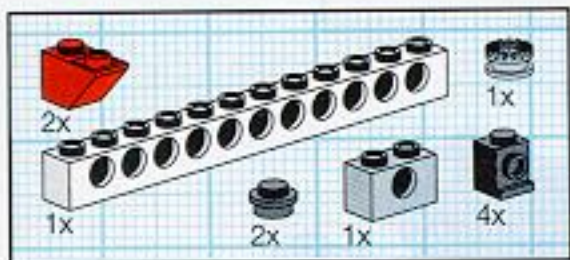
9



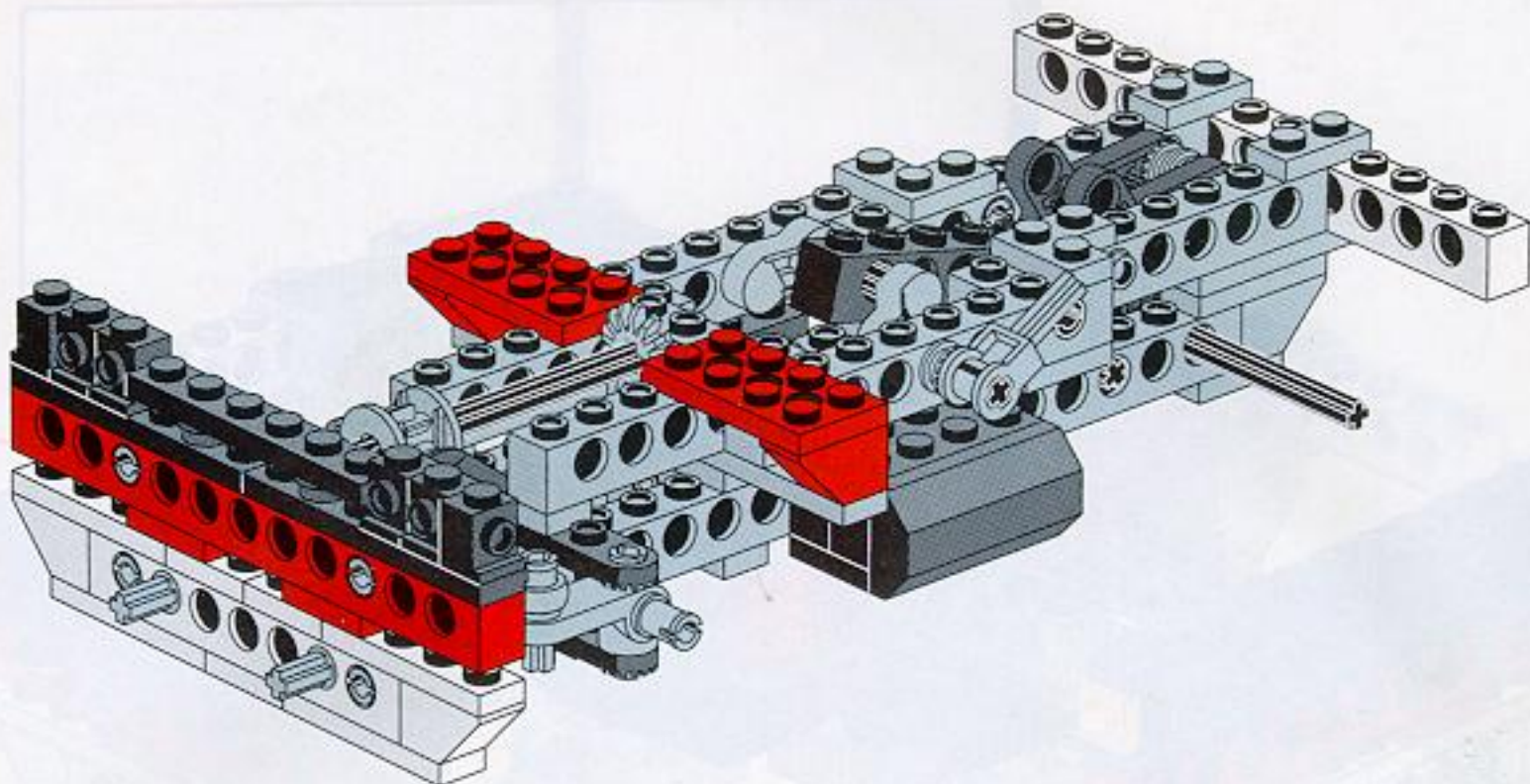
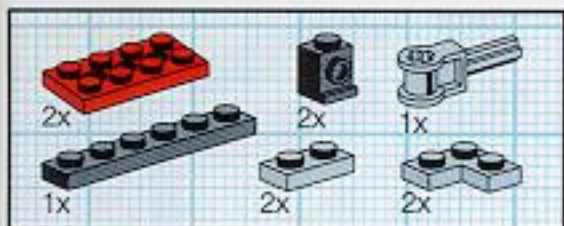
# 10



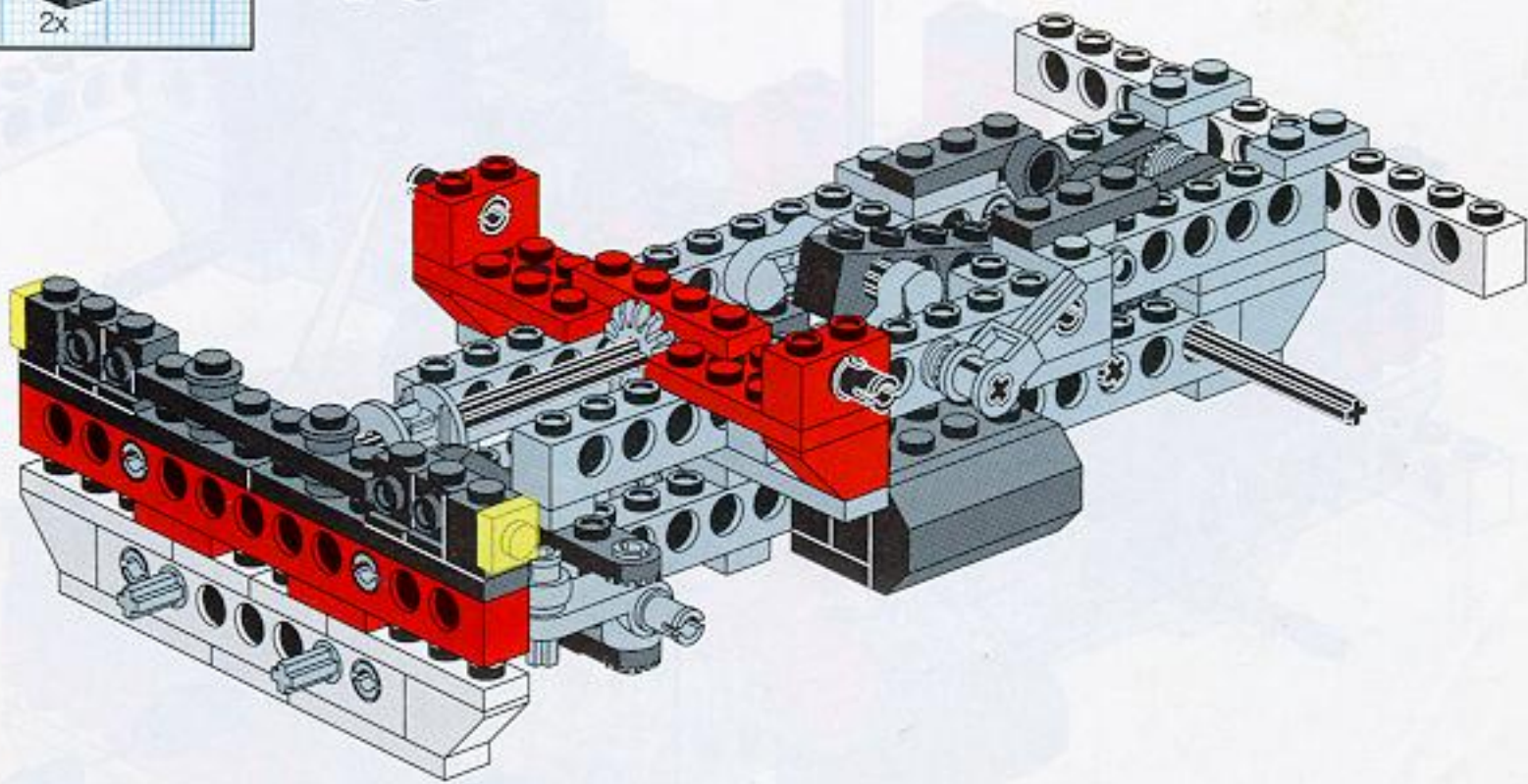
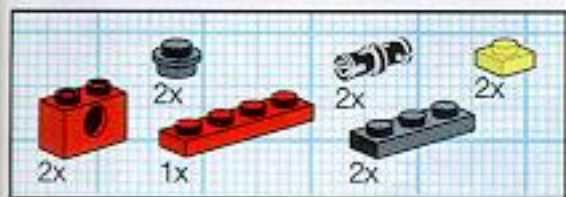
# 11



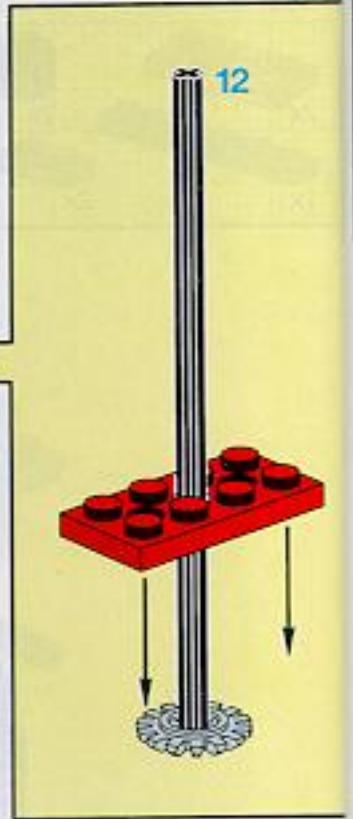
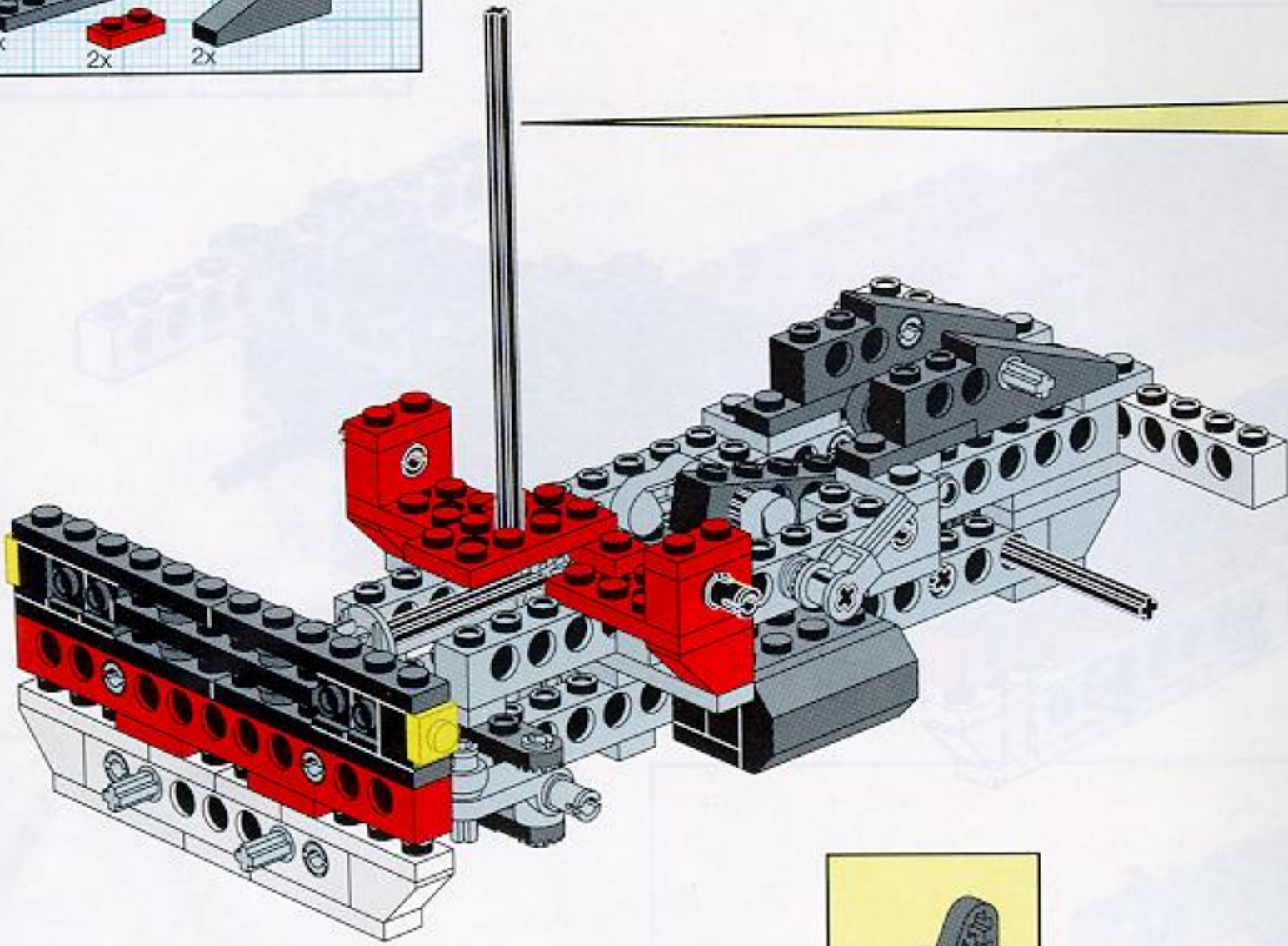
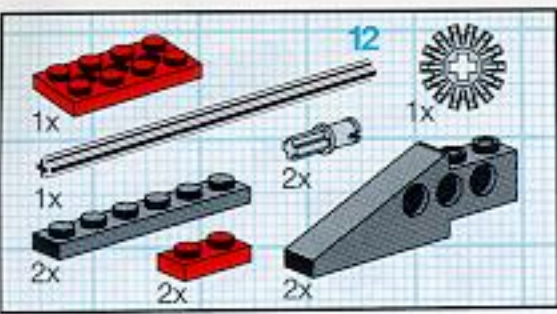
# 12



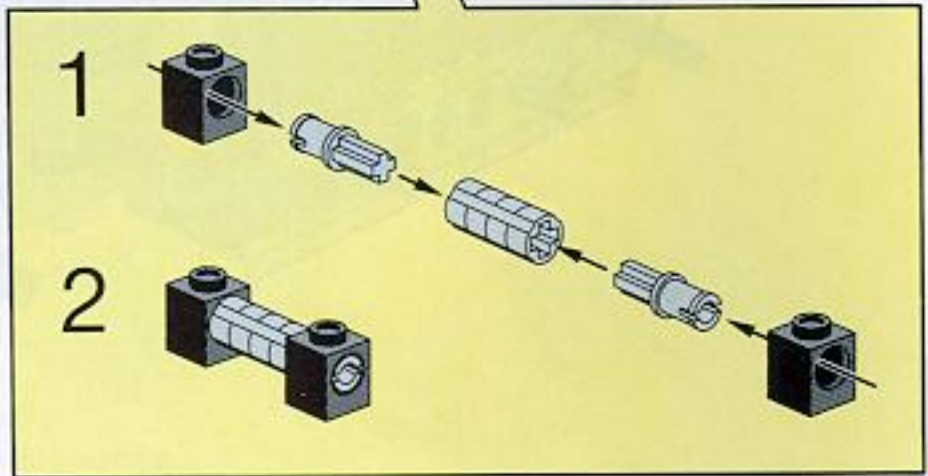
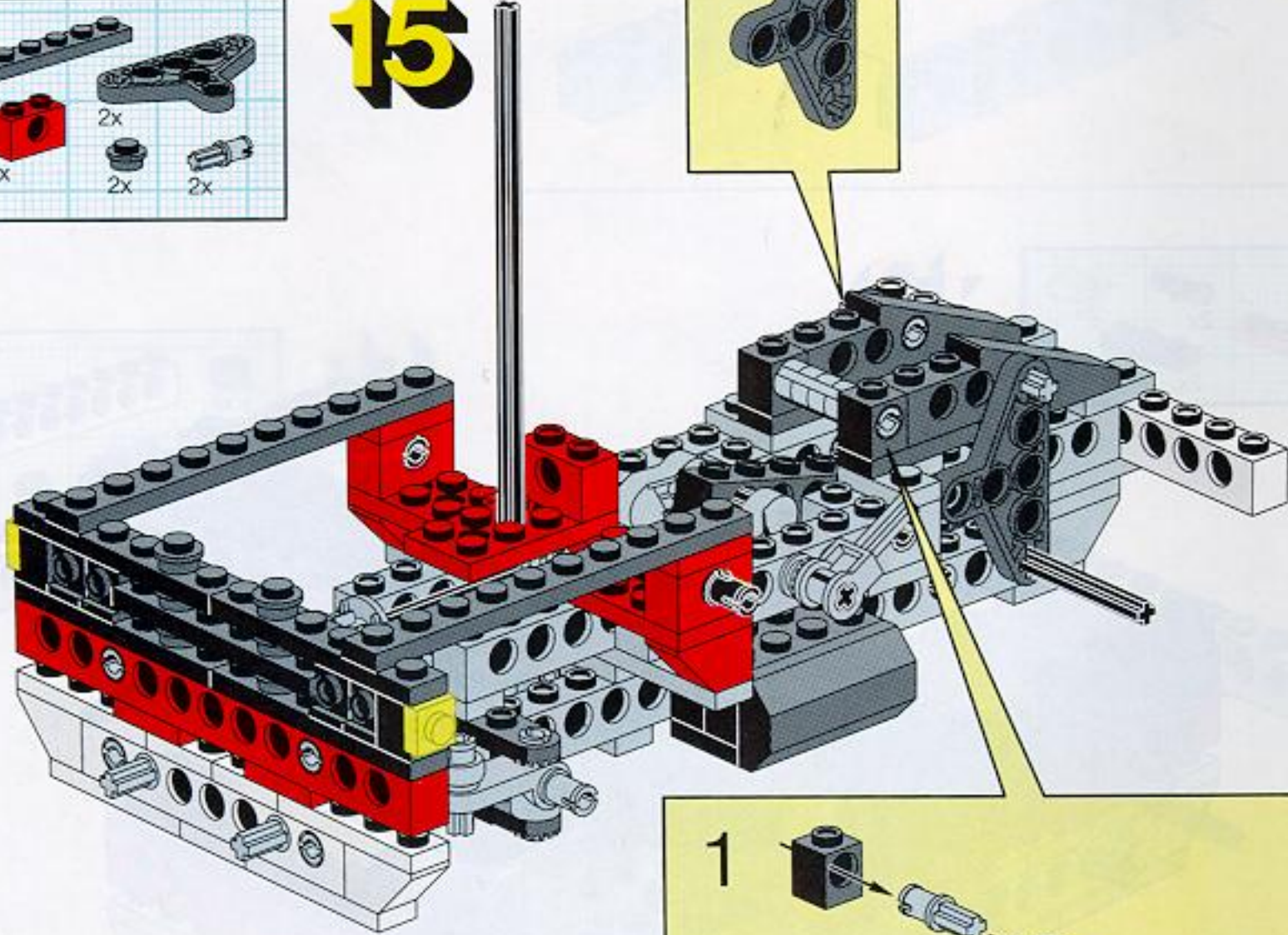
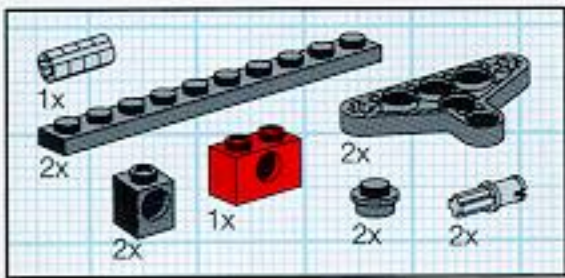
# 13

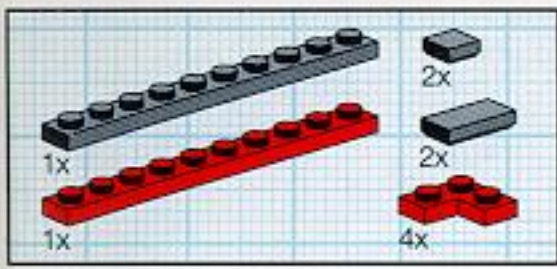


# 14

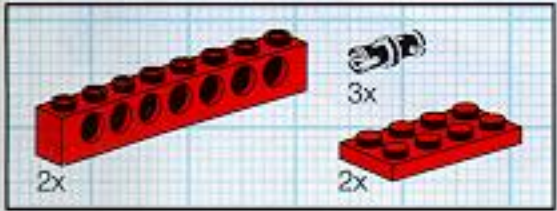
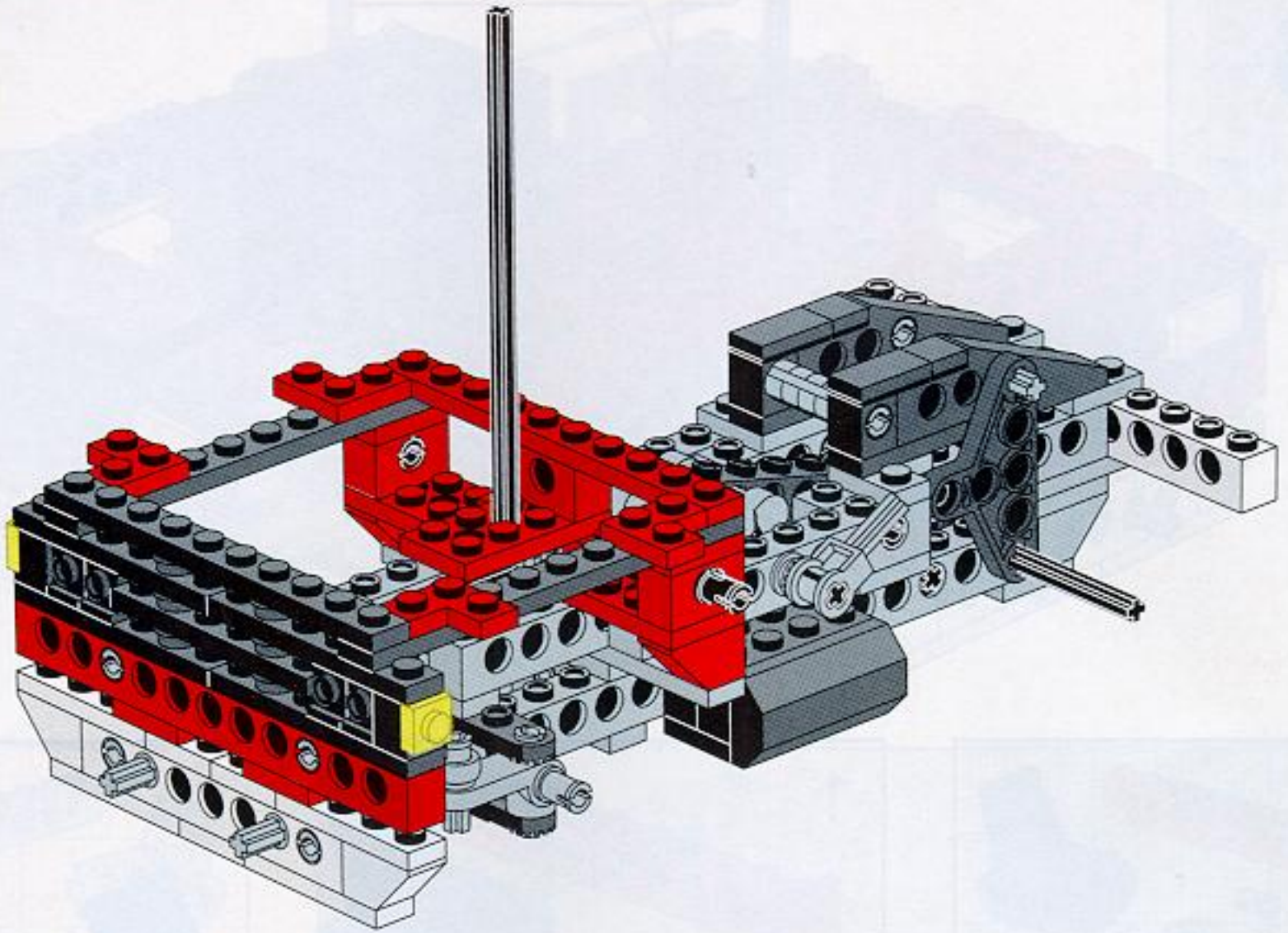


# 15

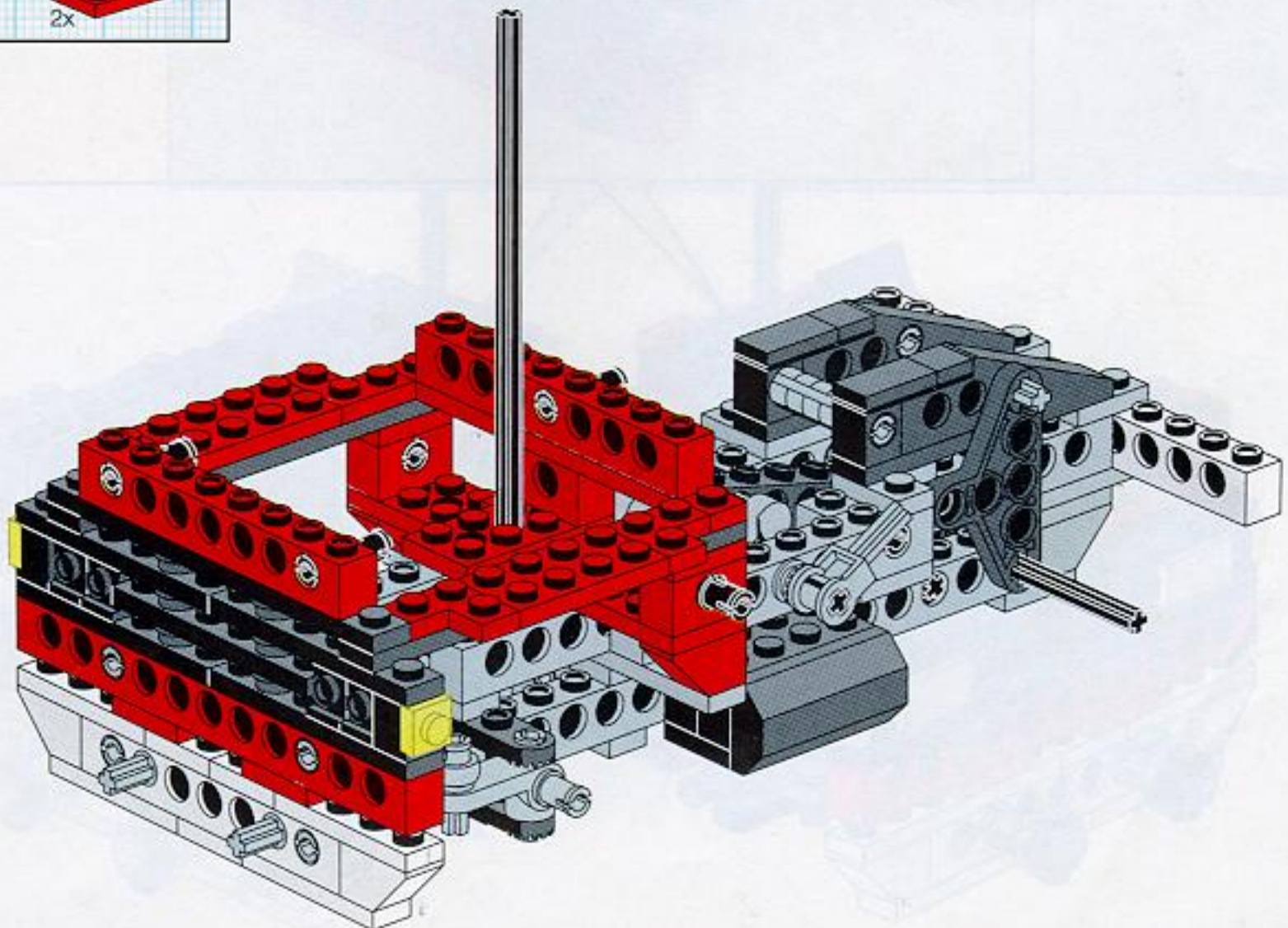




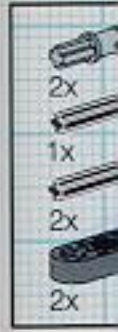
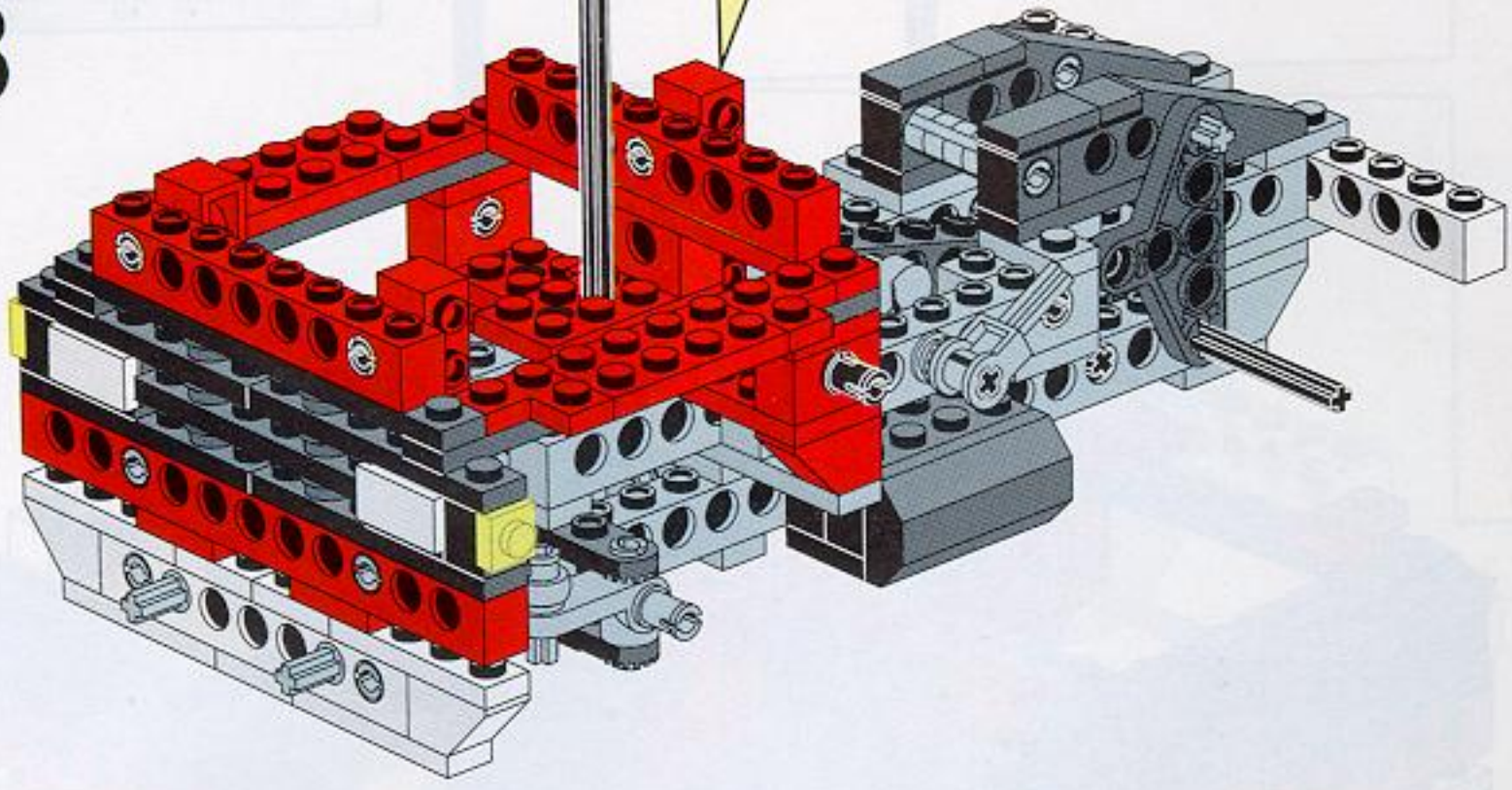
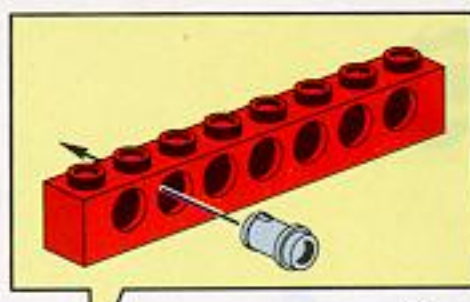
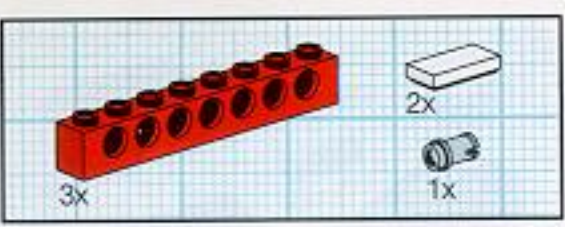
16



17

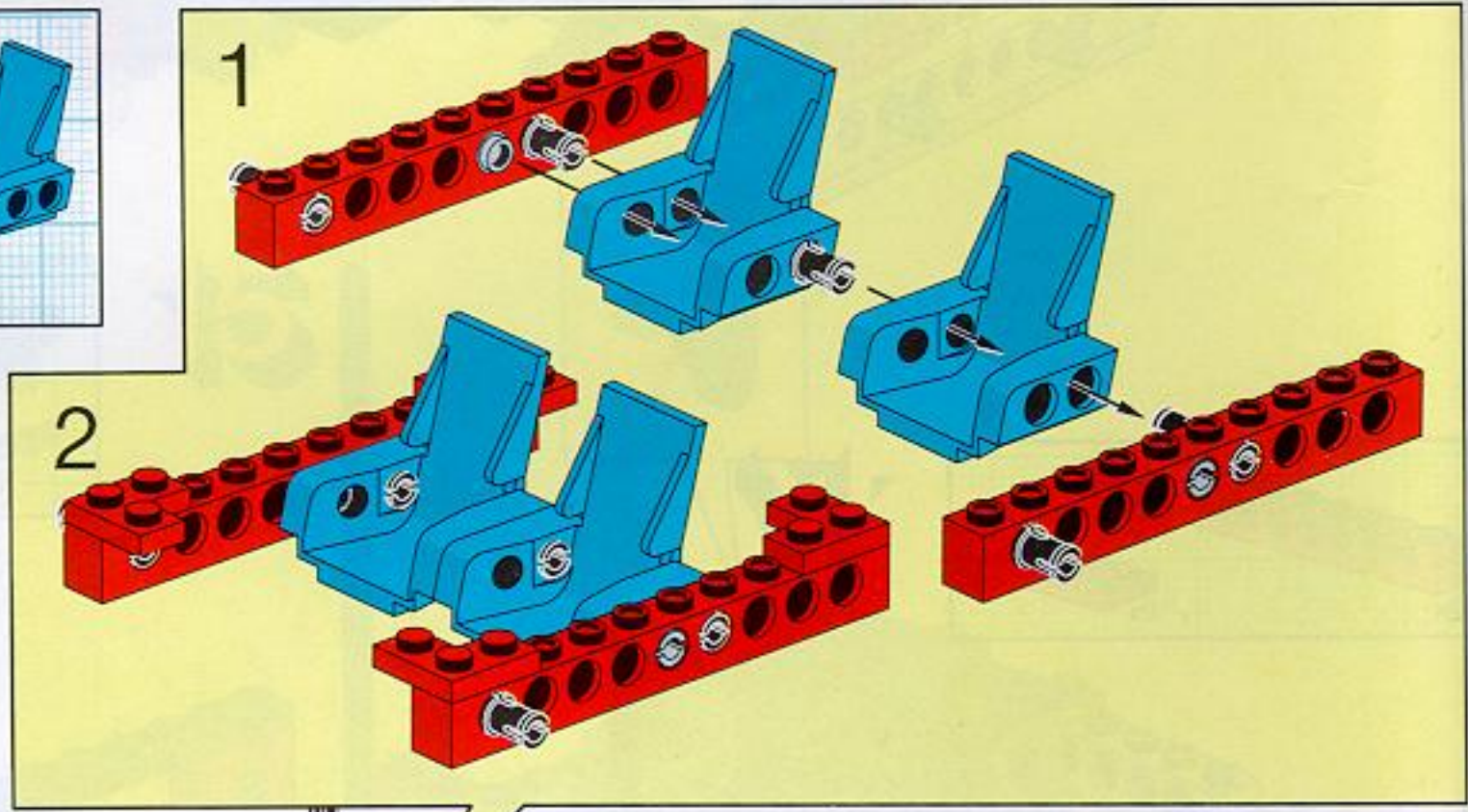
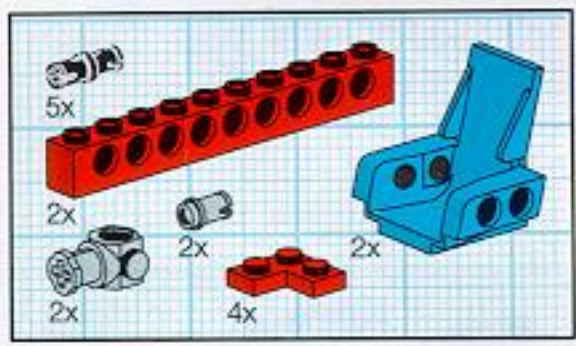


18

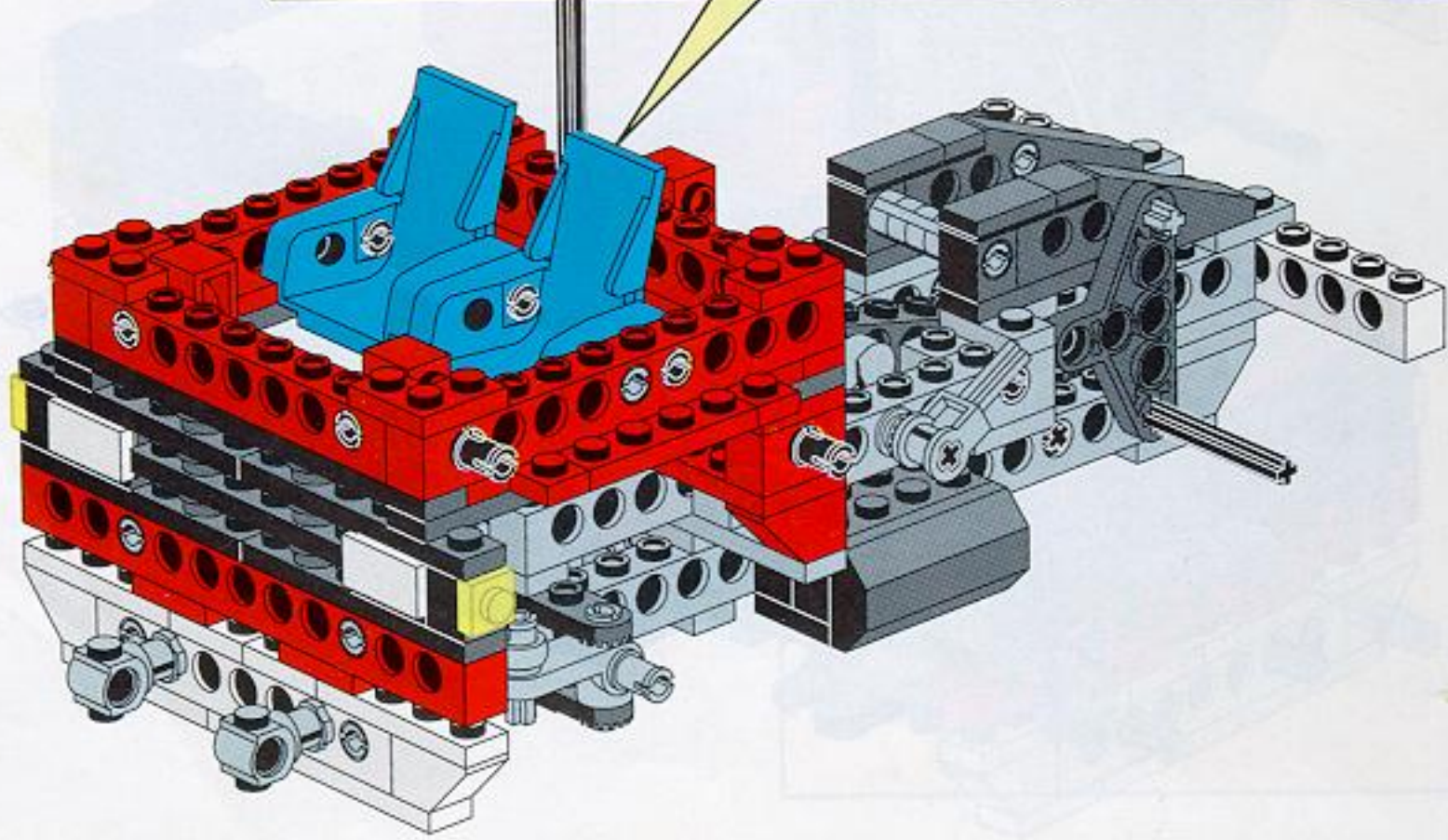


20

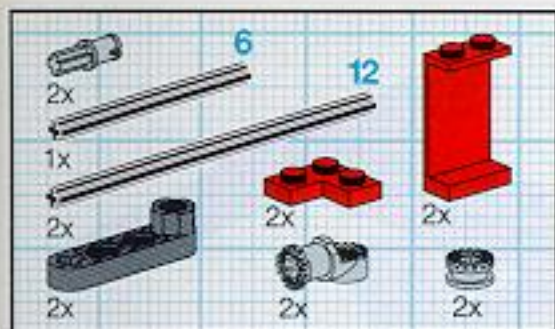
19



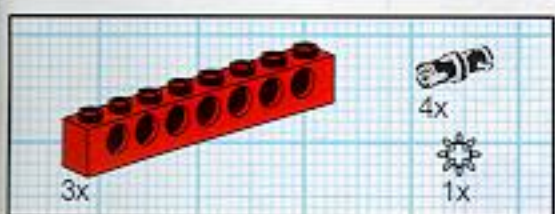
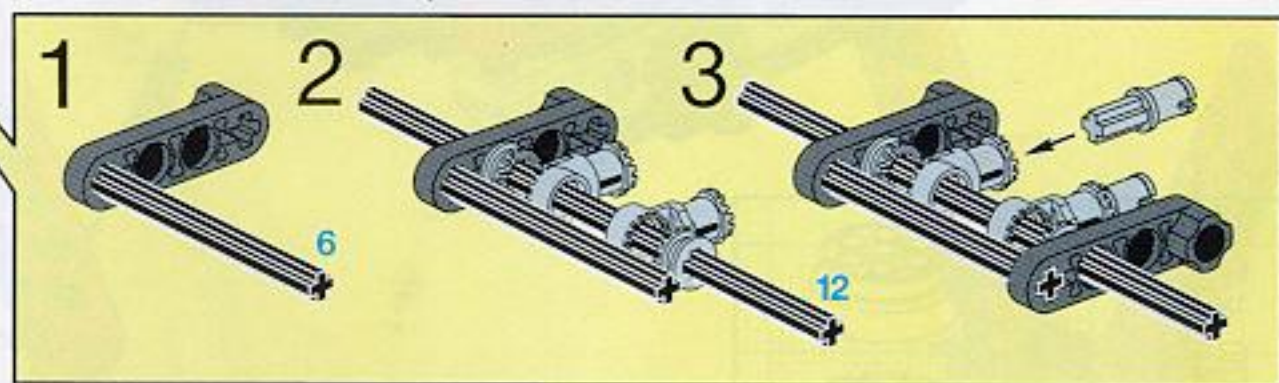
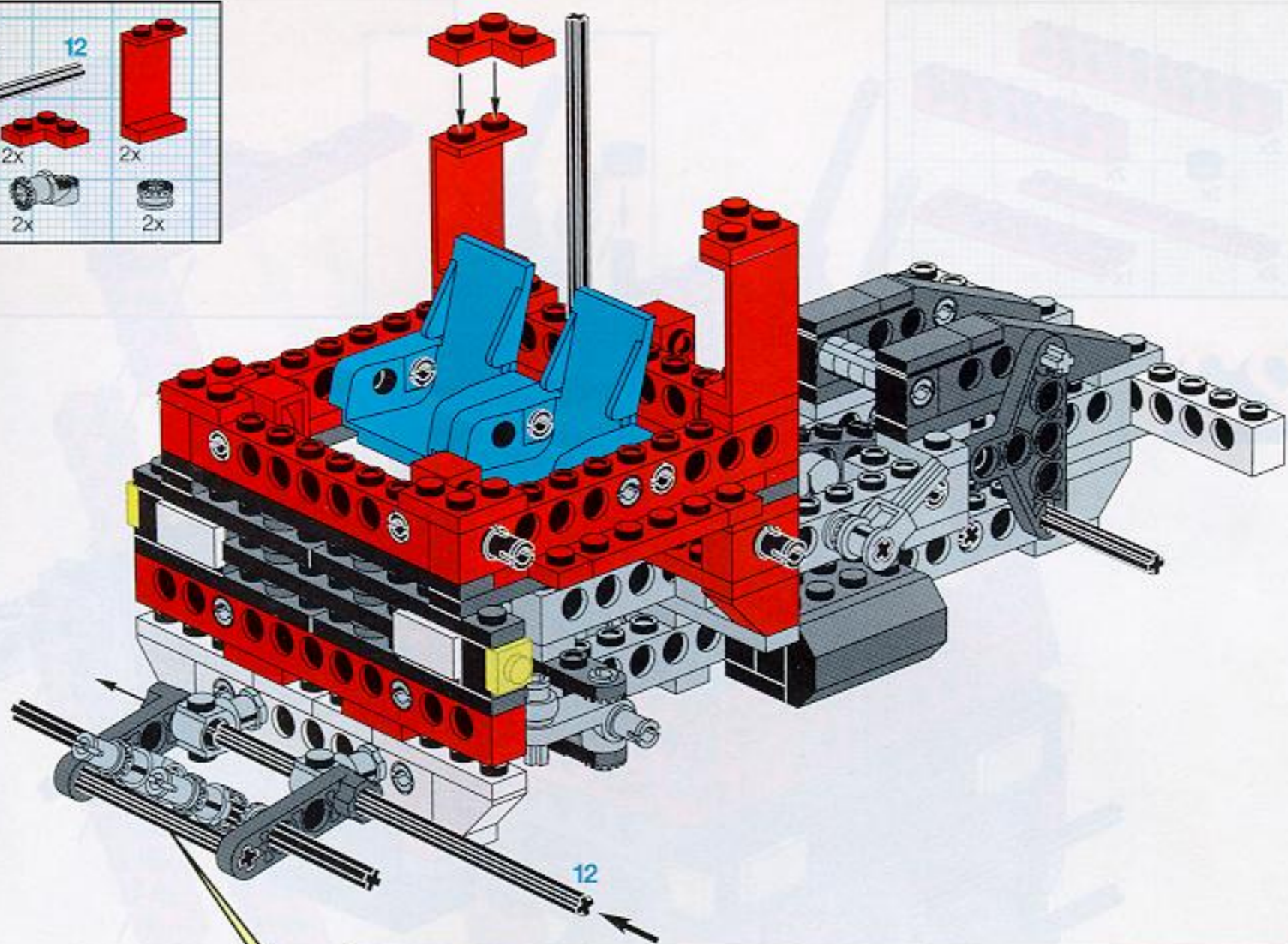
21



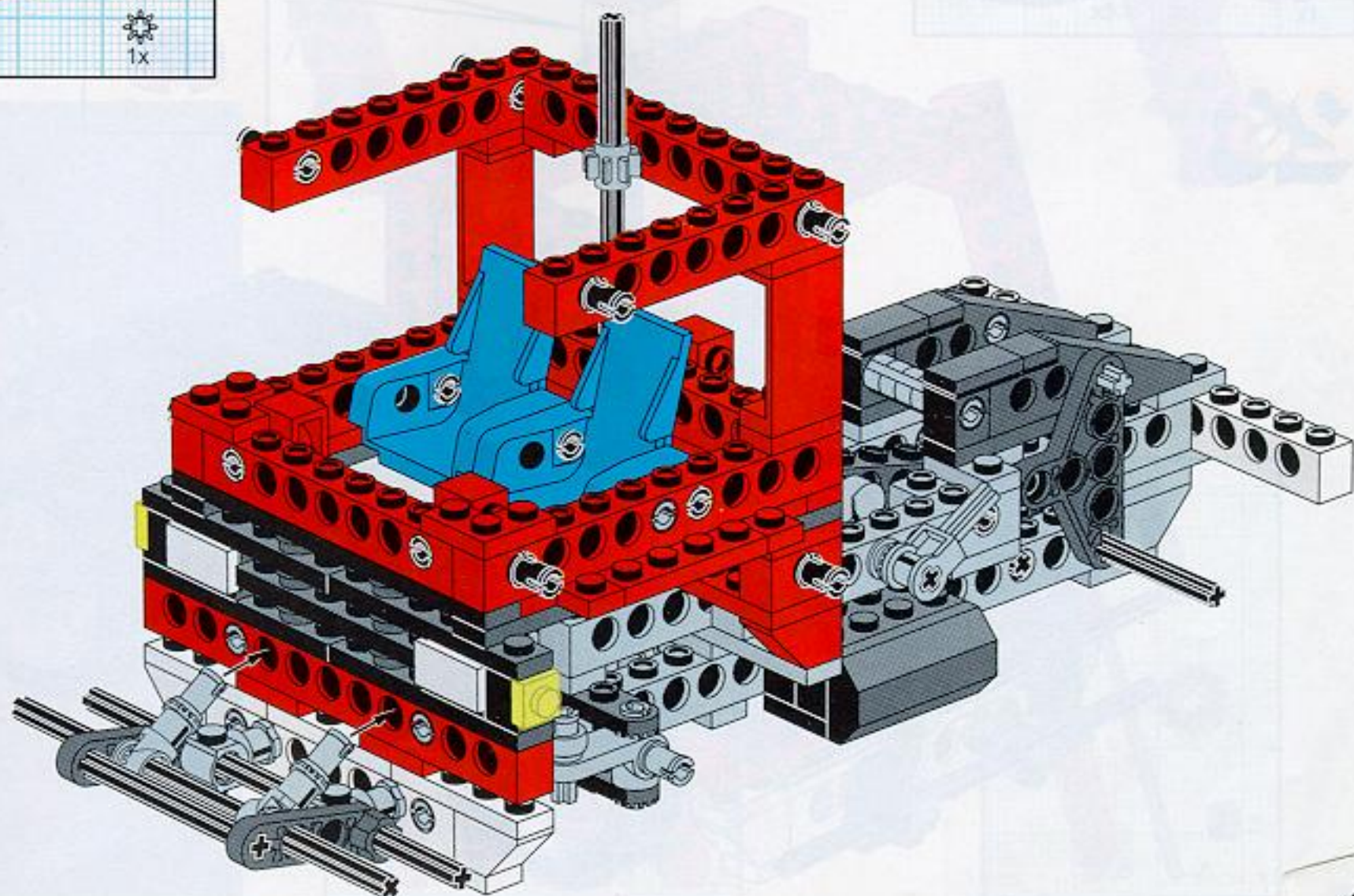


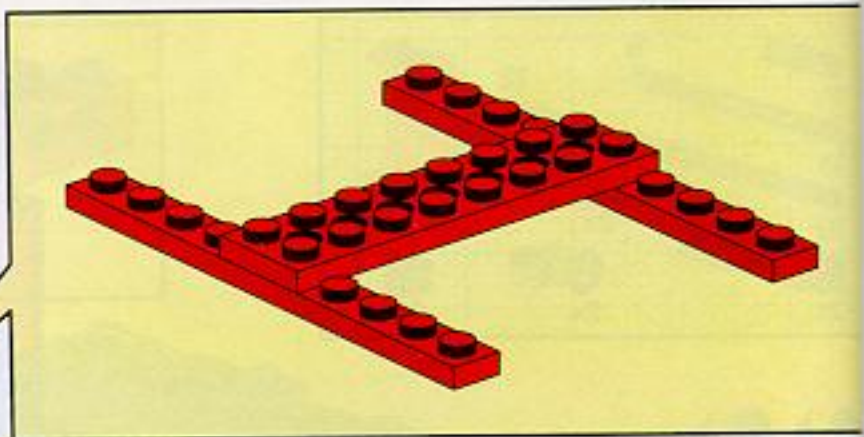
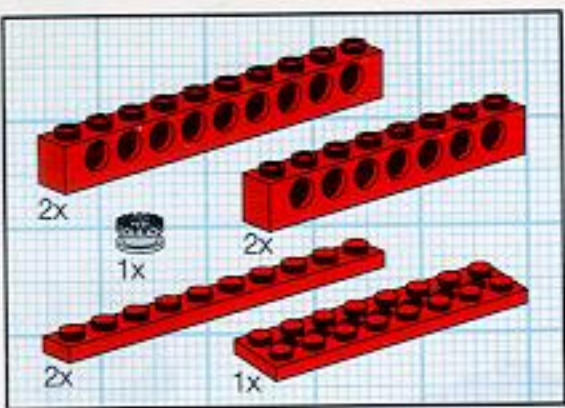


20

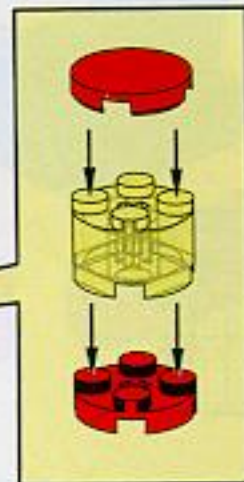
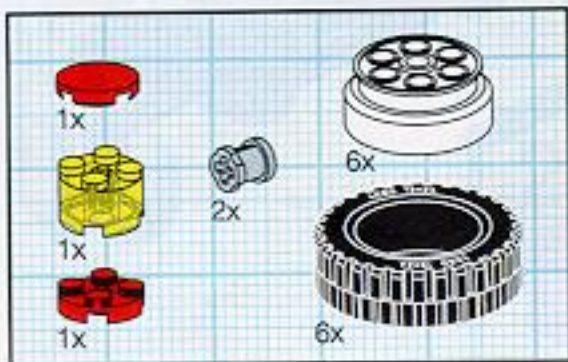
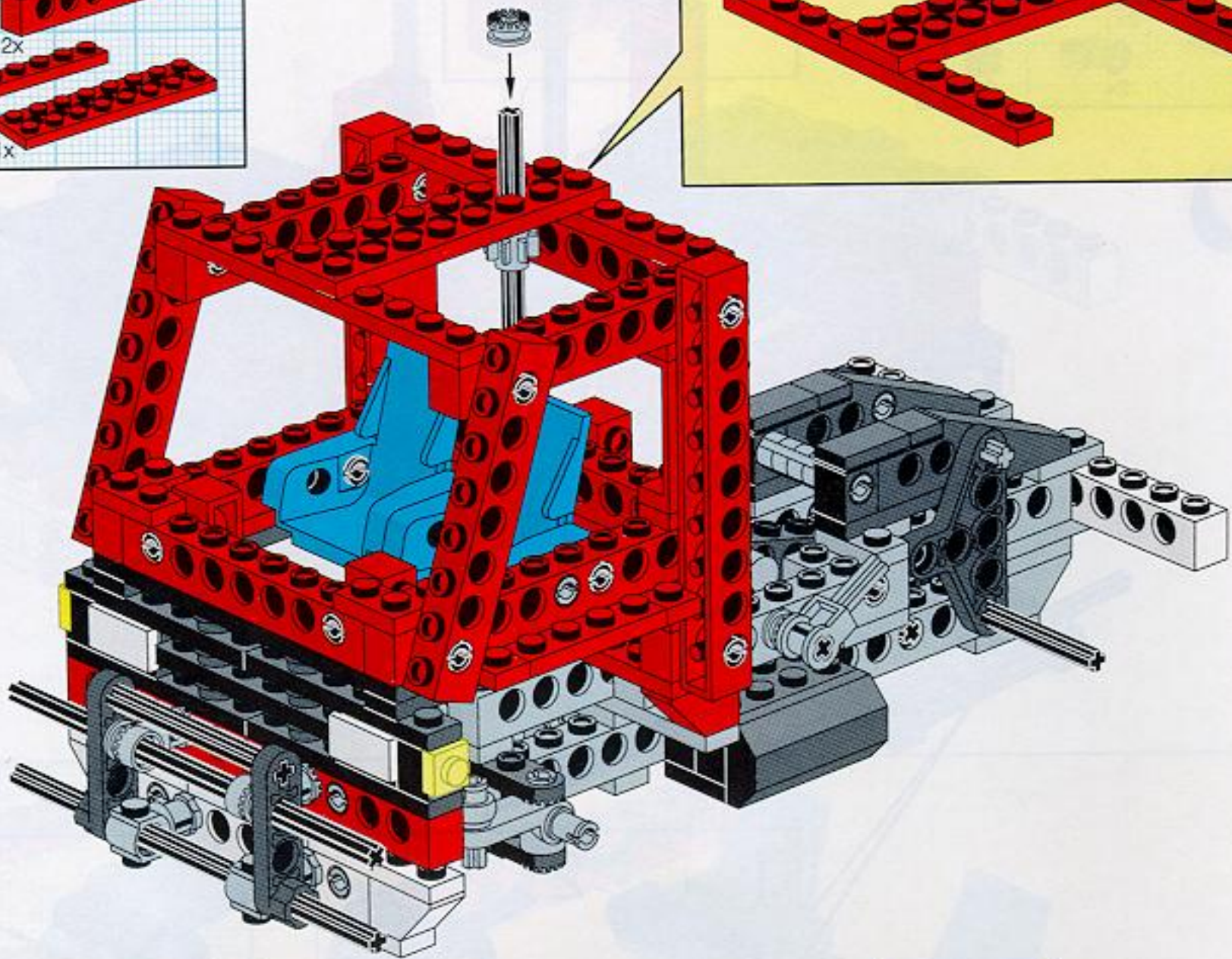


21

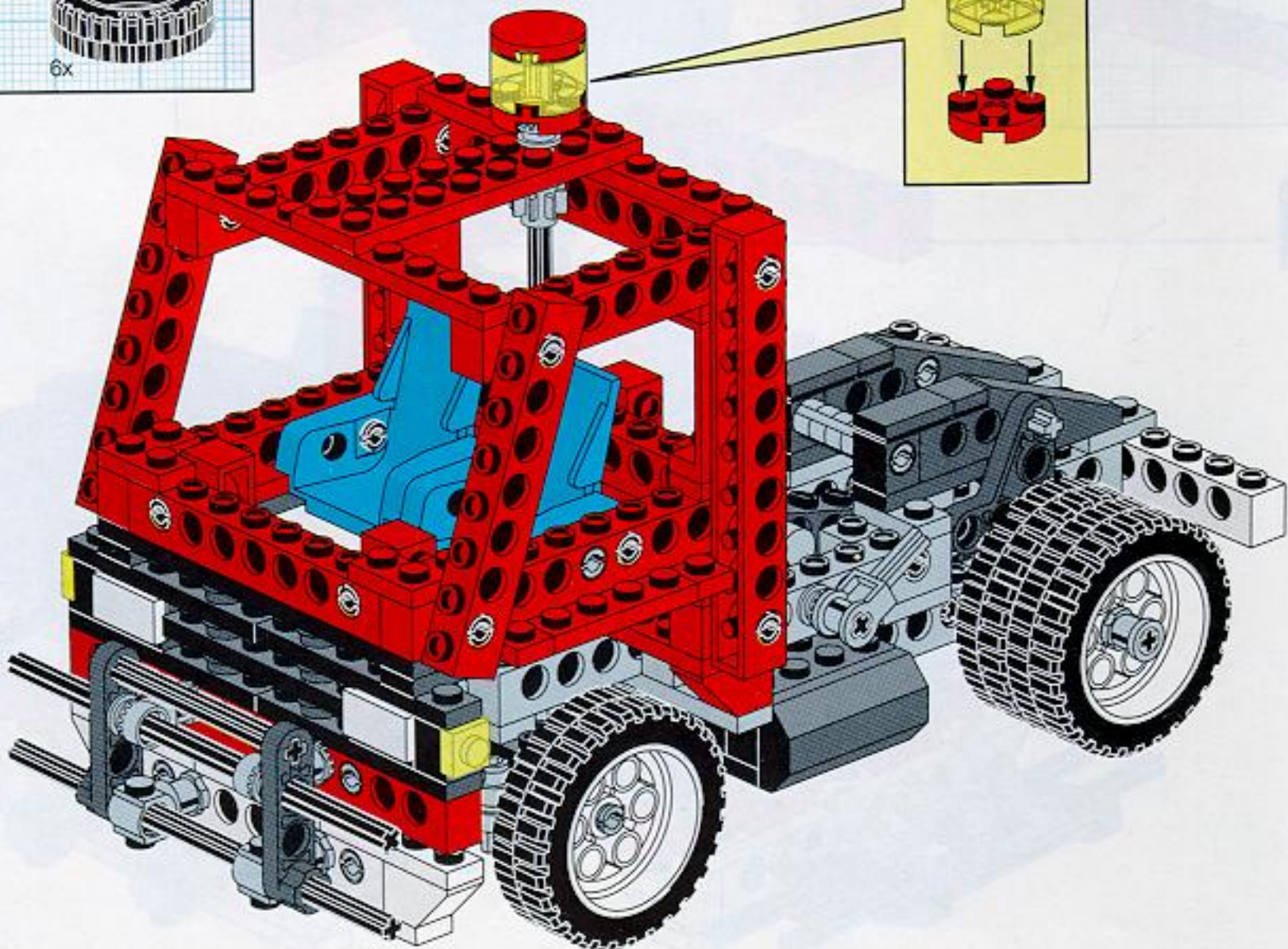


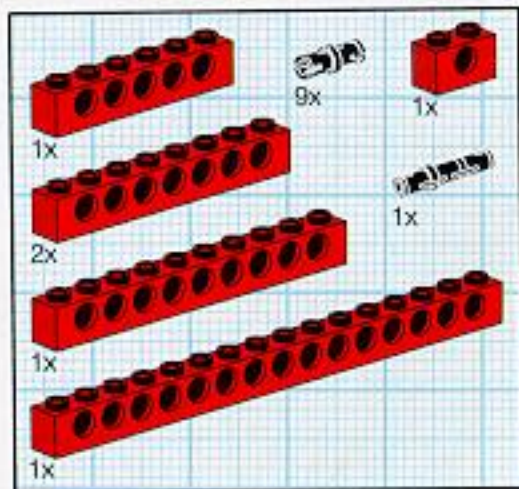
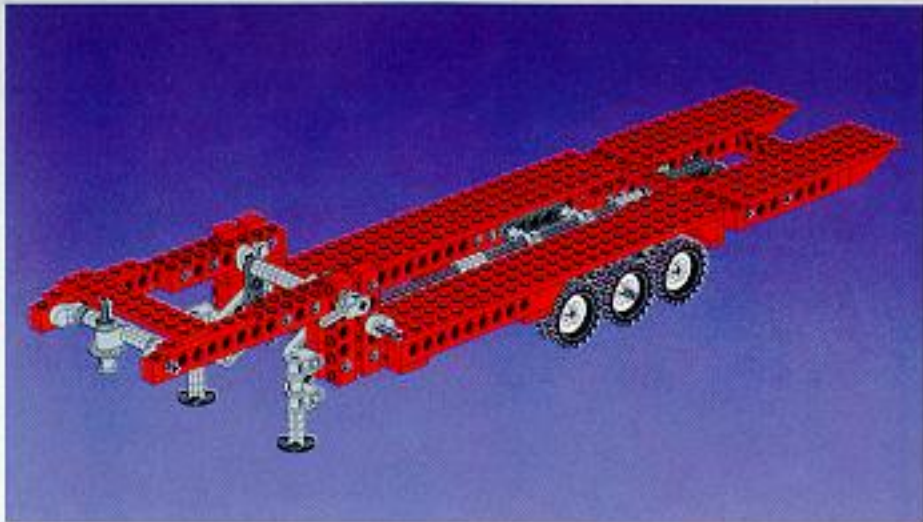


22

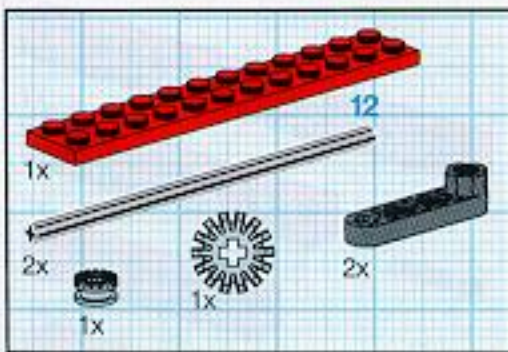
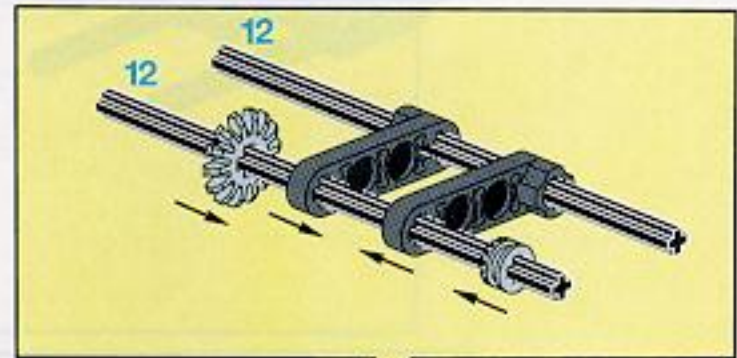
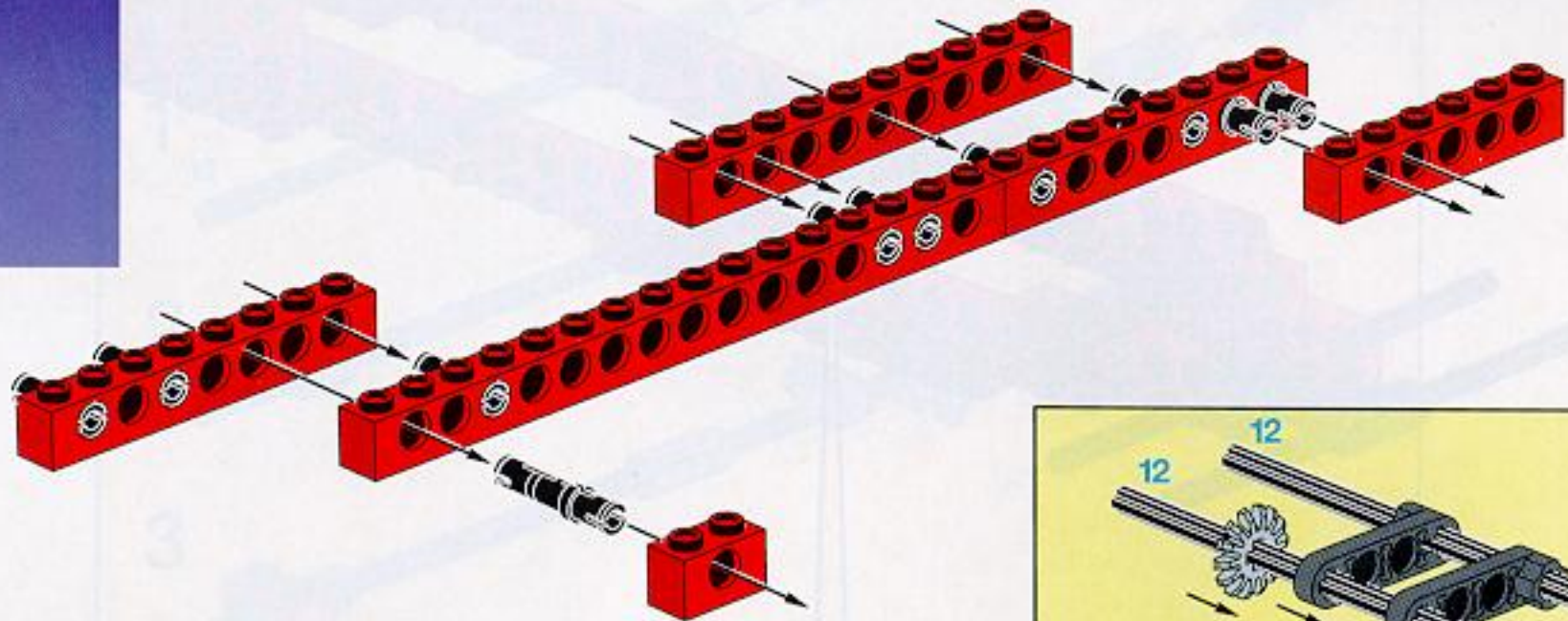


23

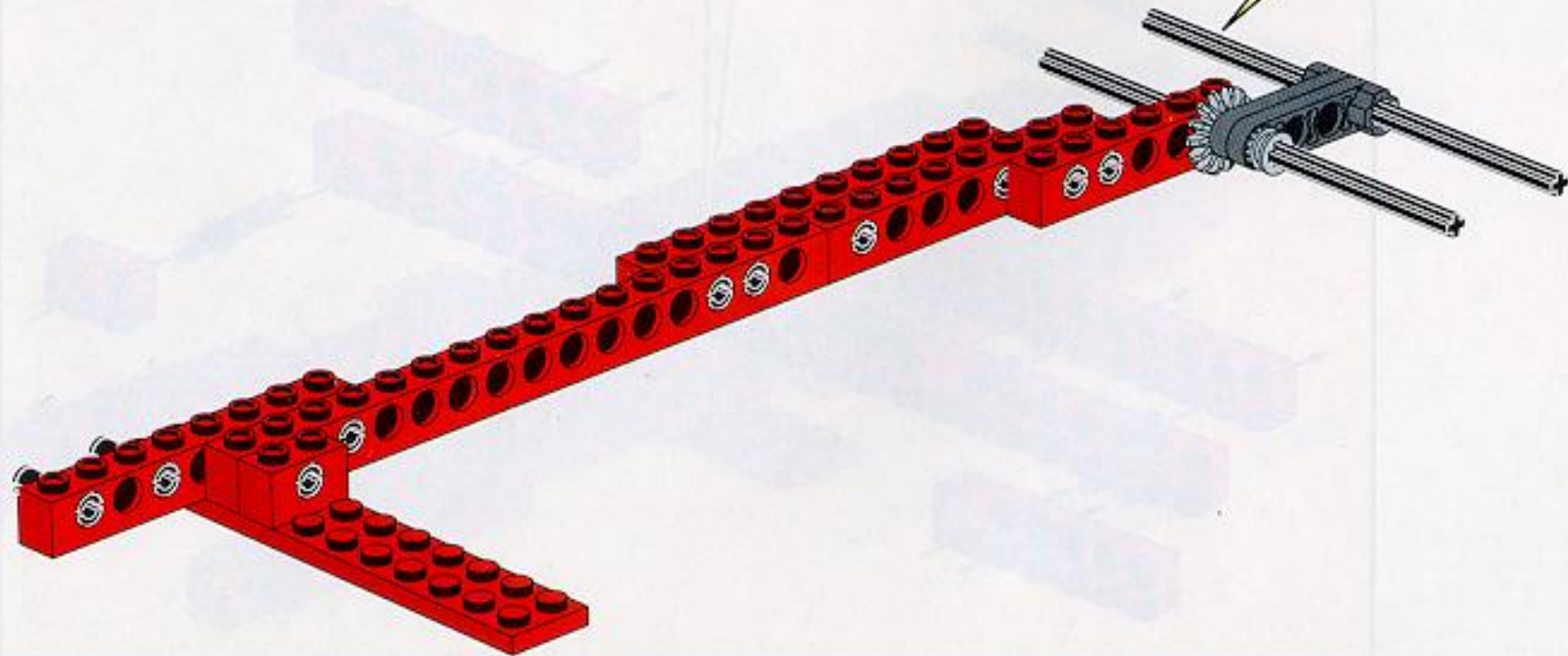


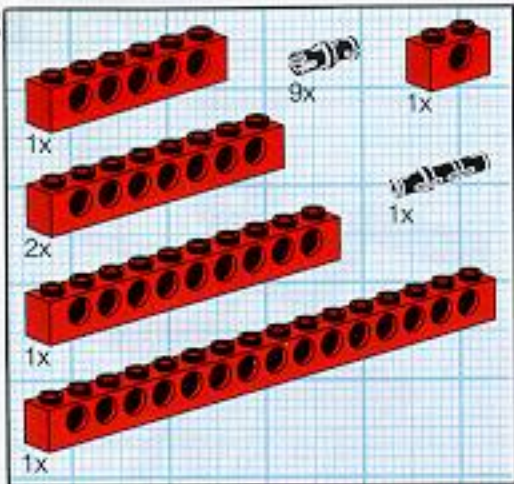


1

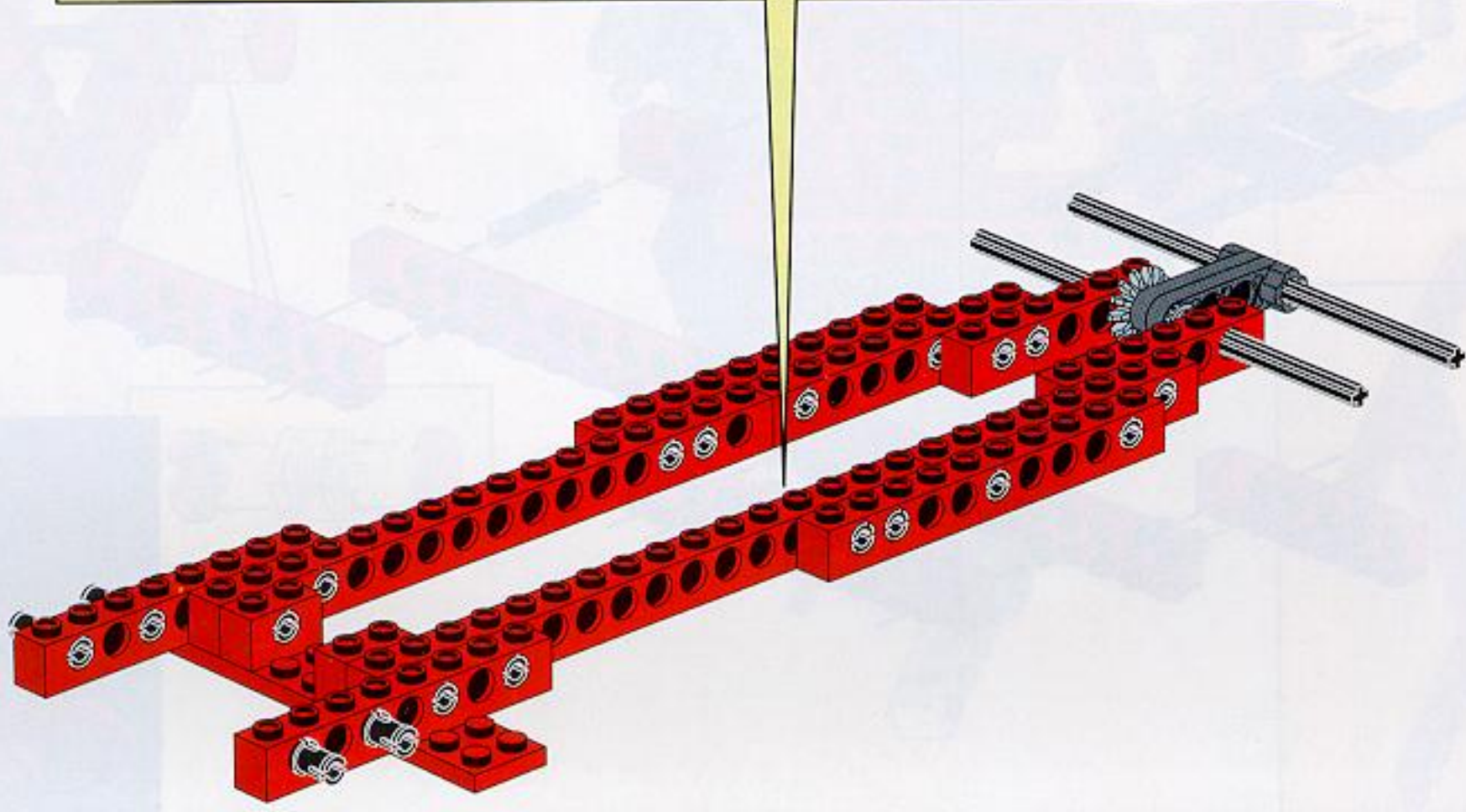
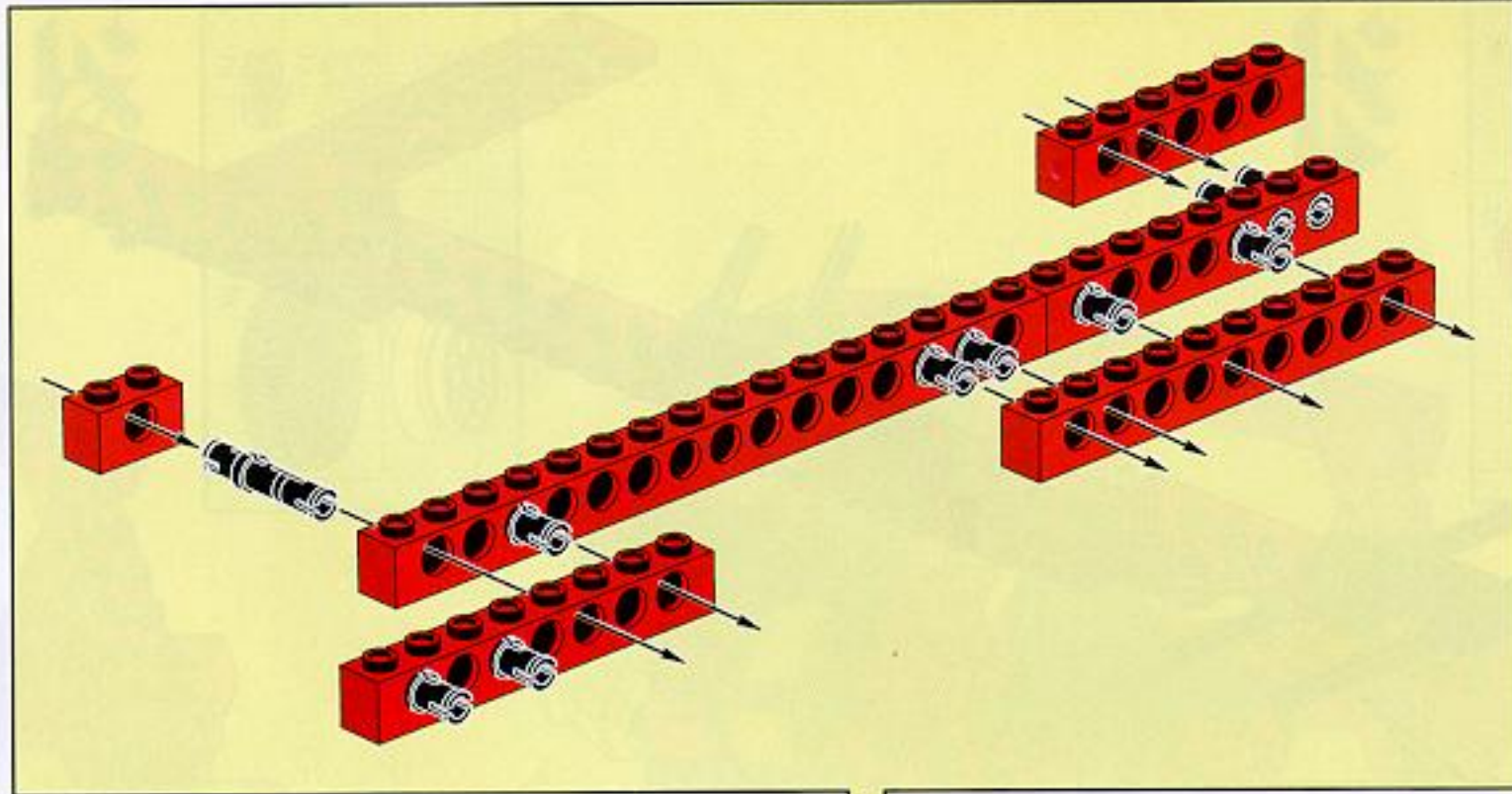


2



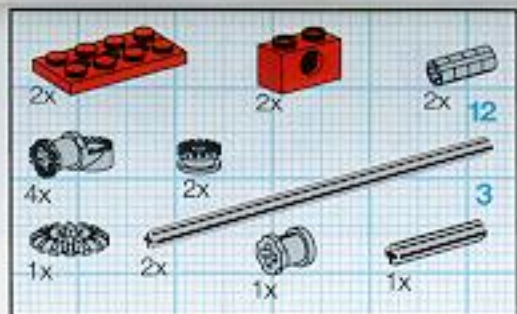


# 3

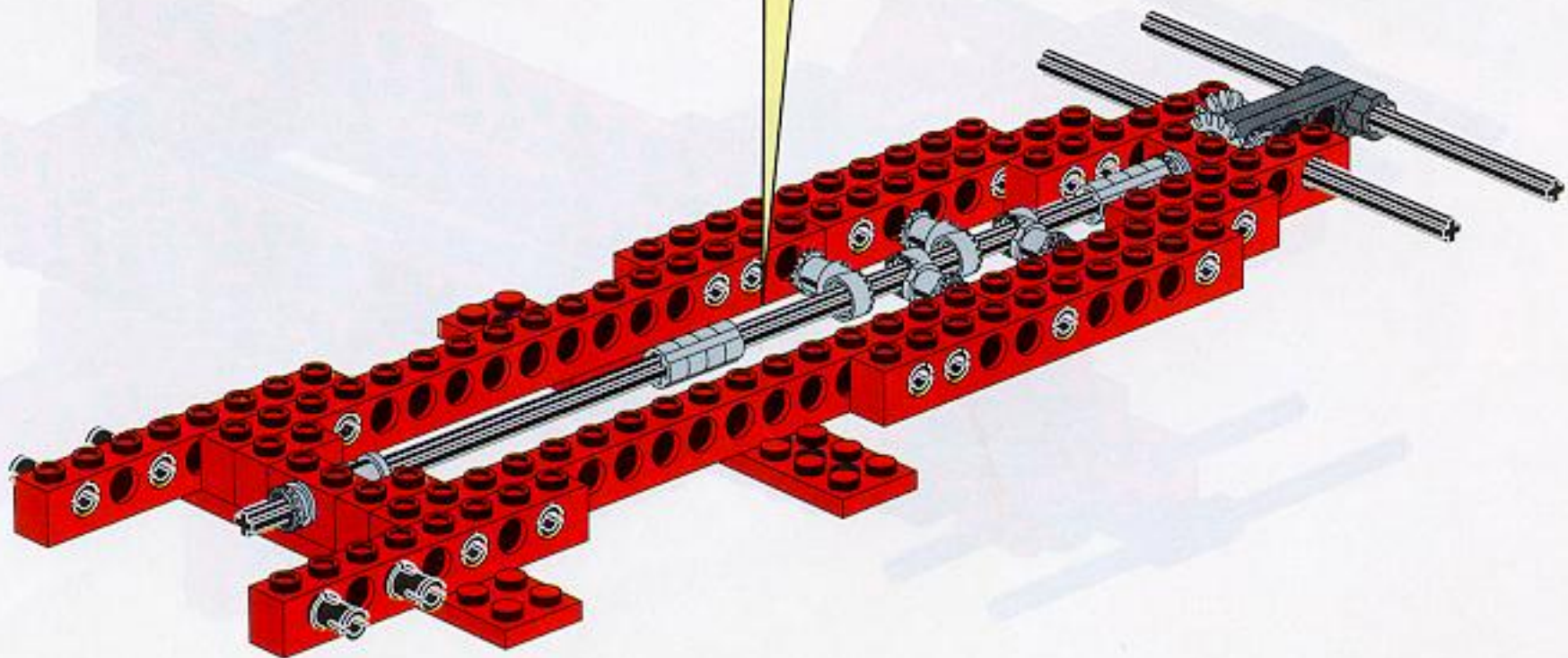
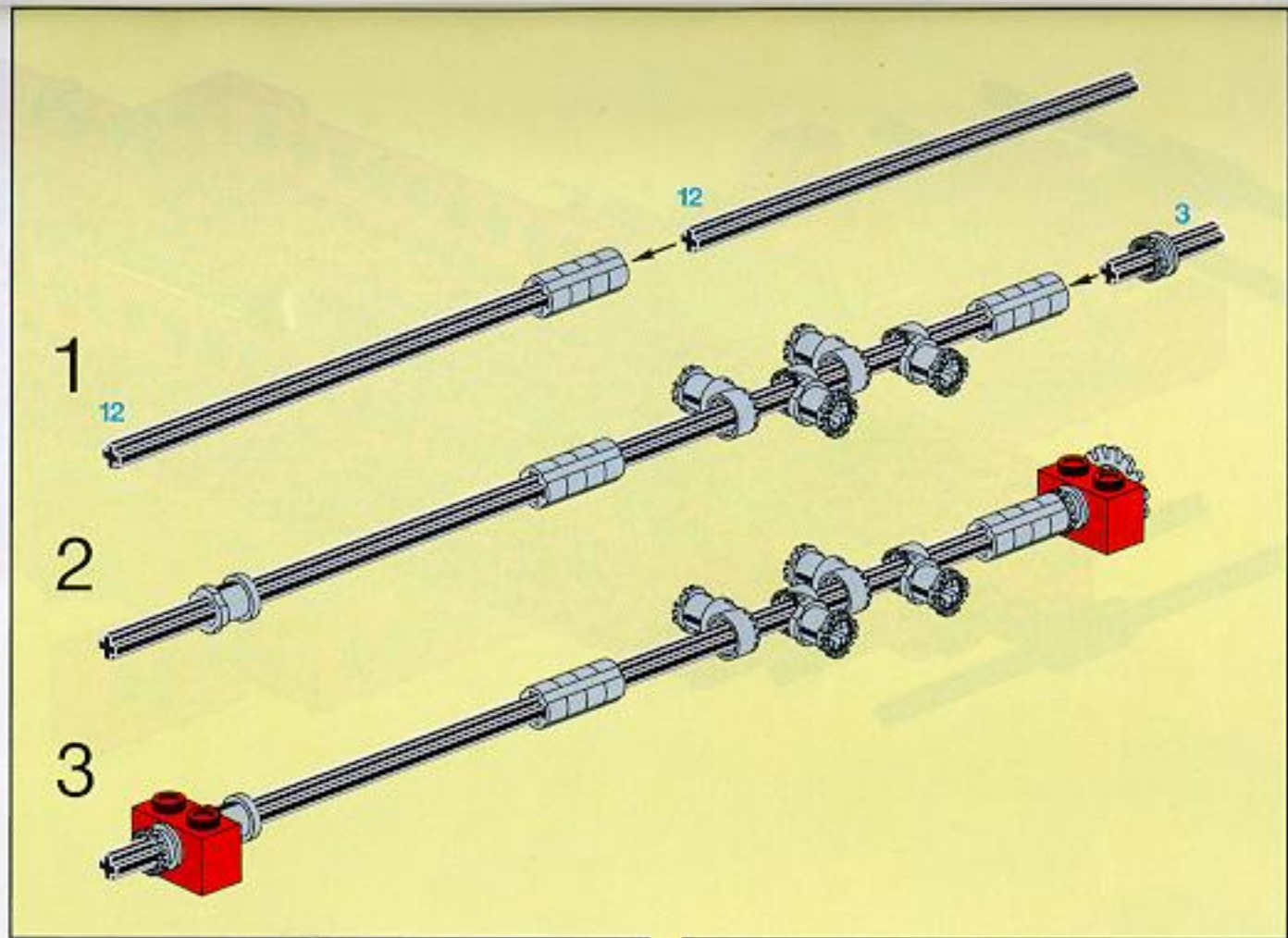


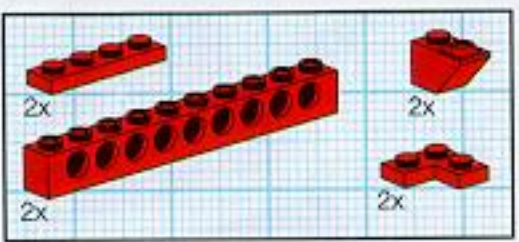
# 4



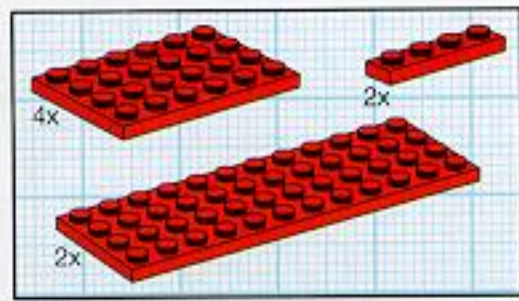
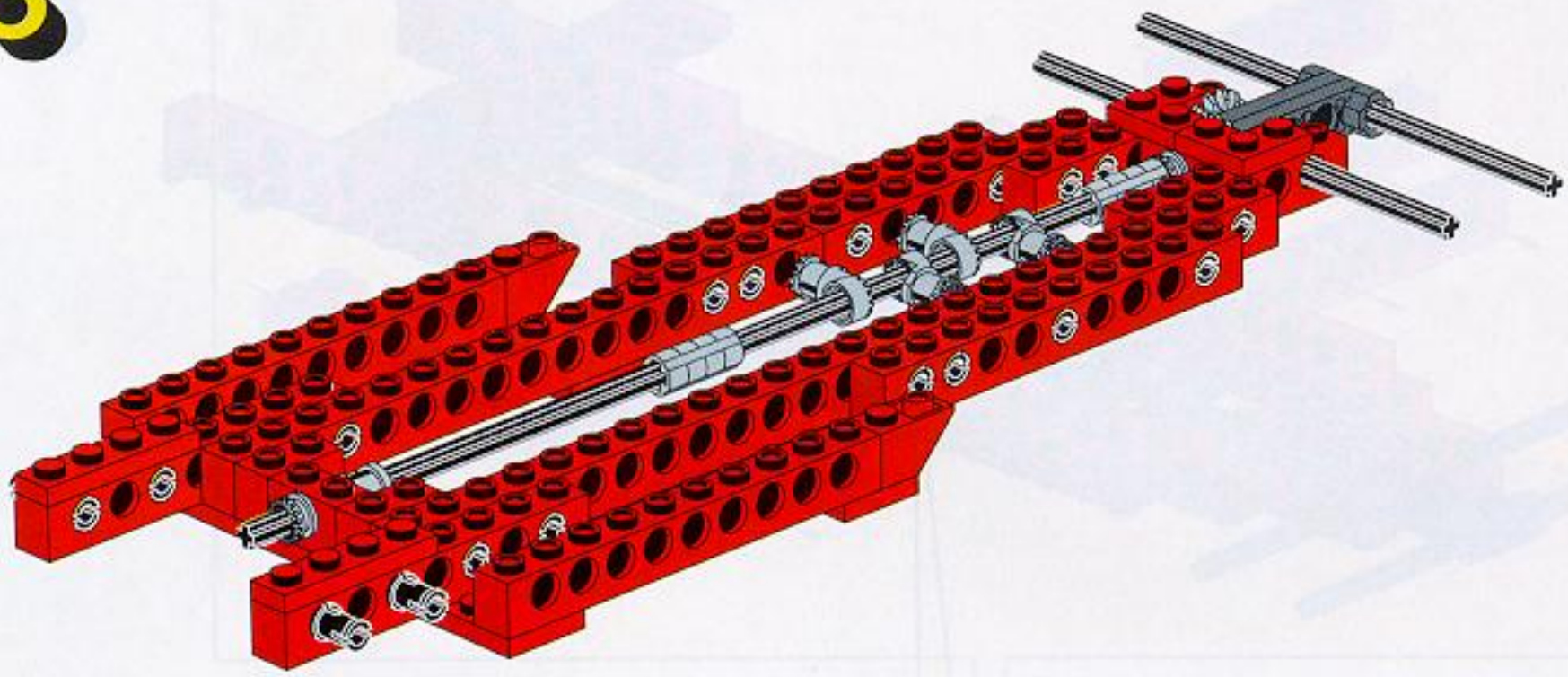


4

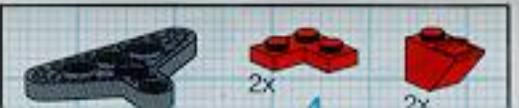
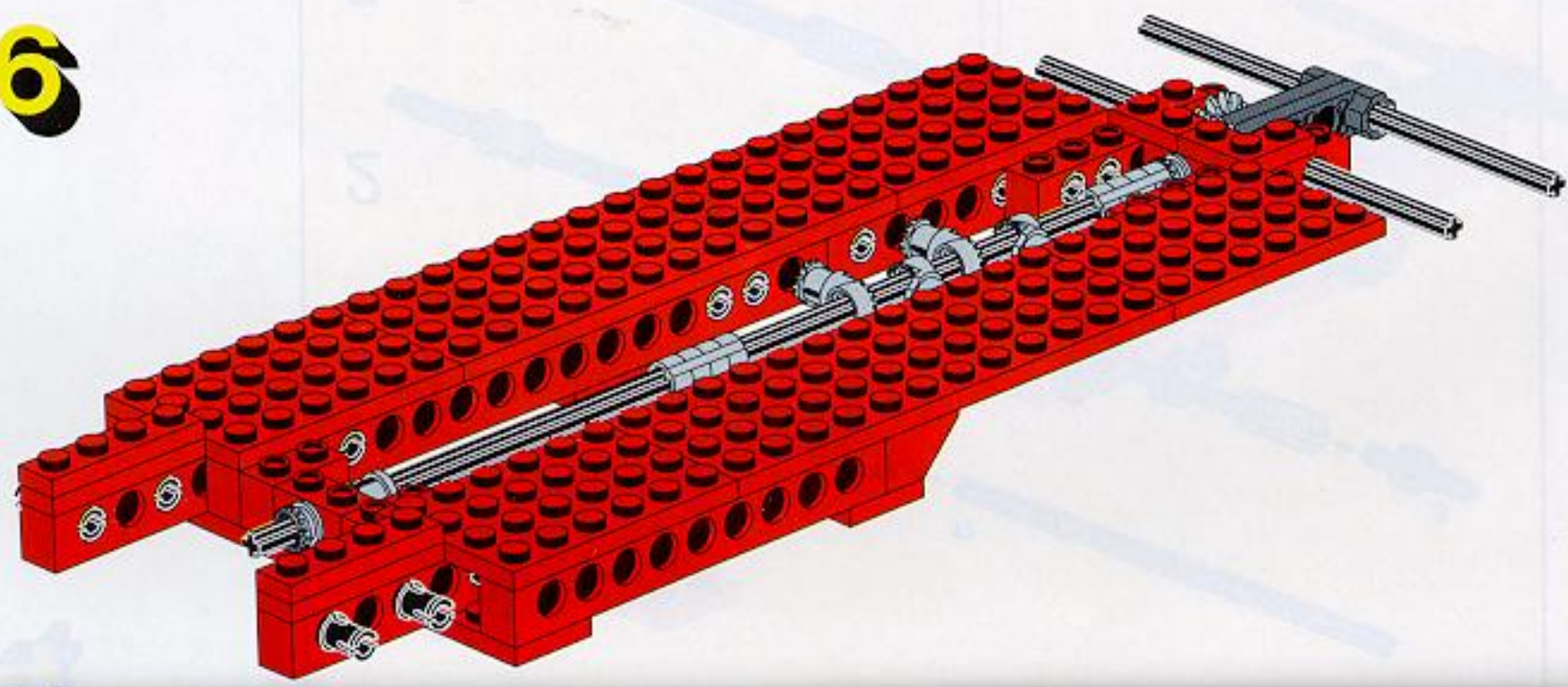




5

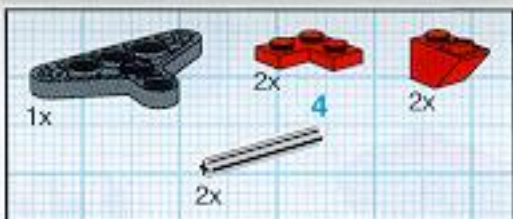


6

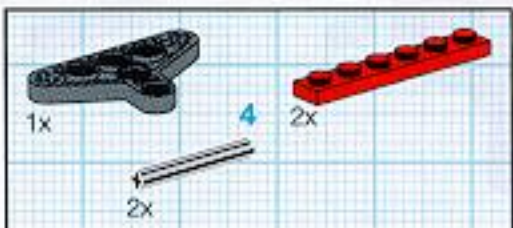
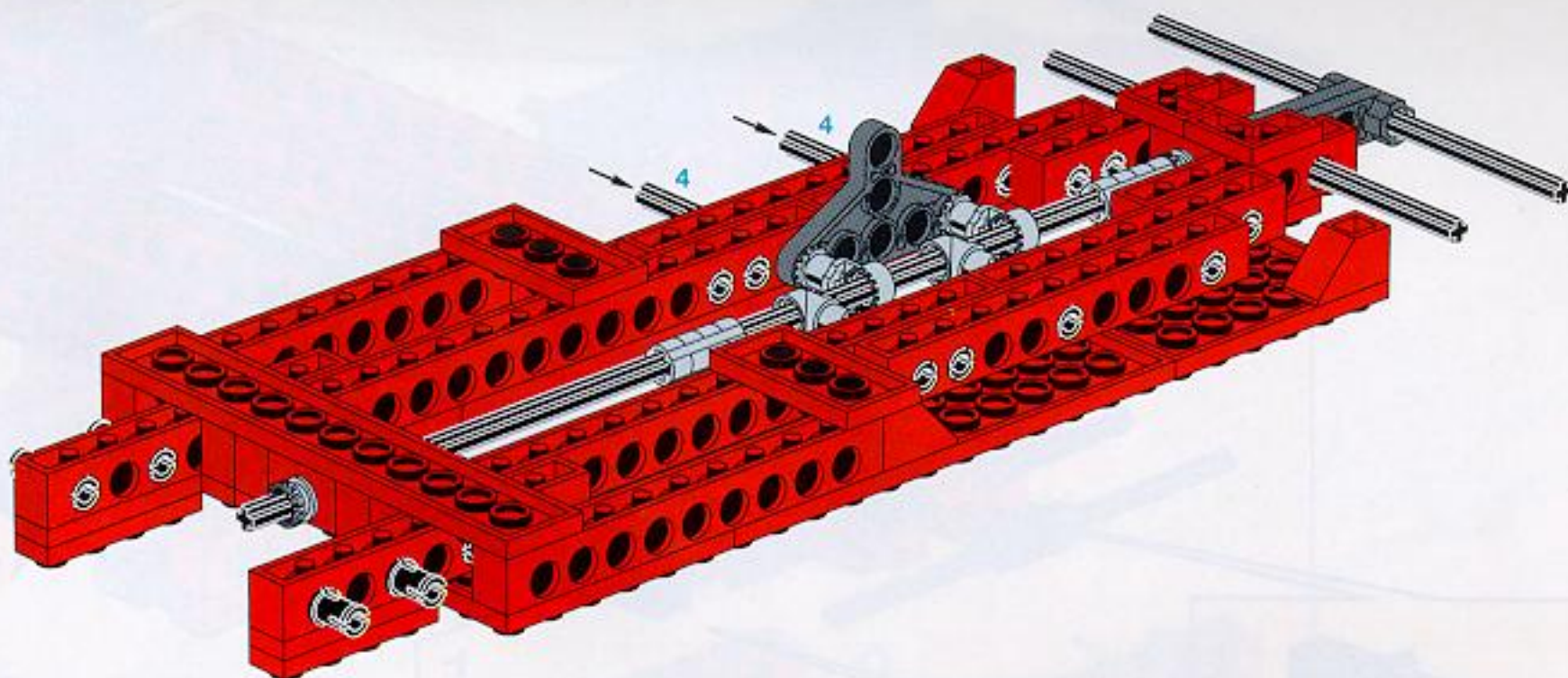


7

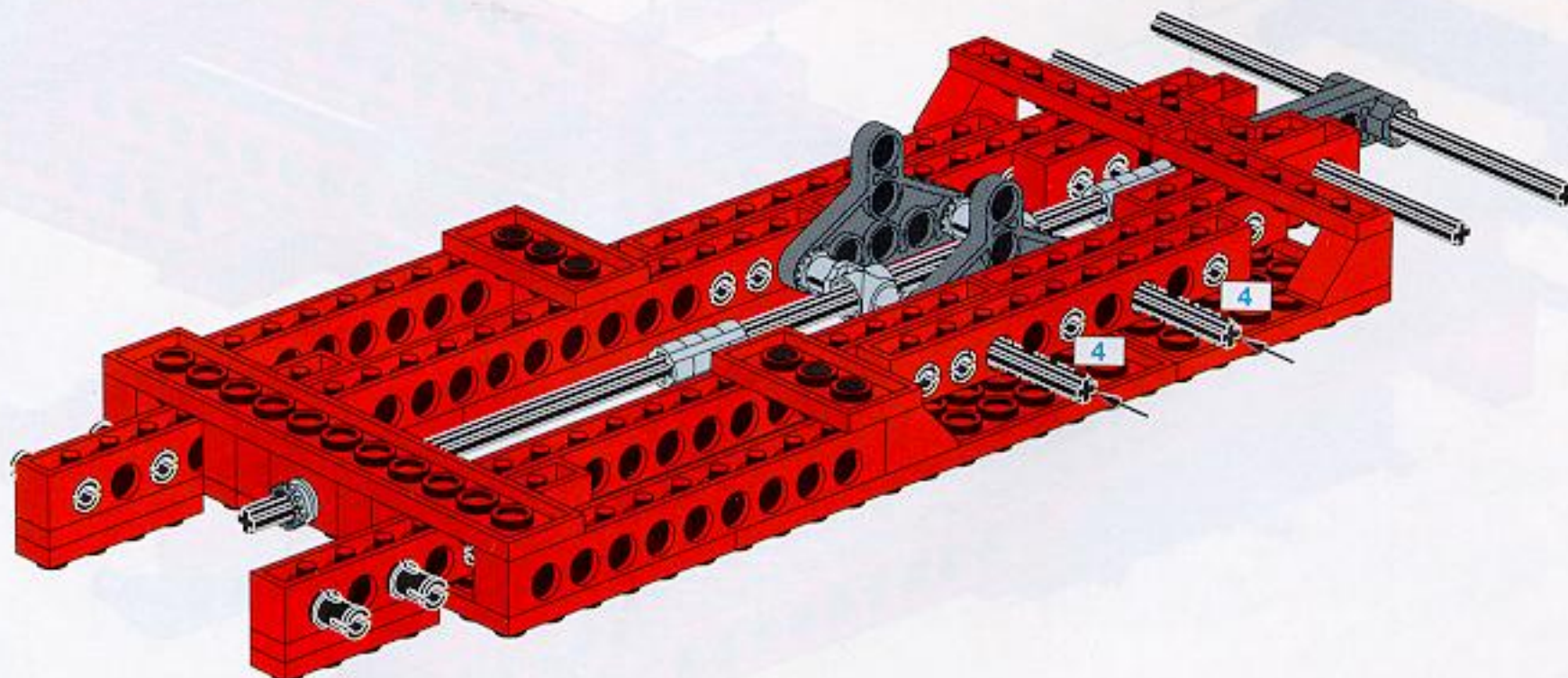




7

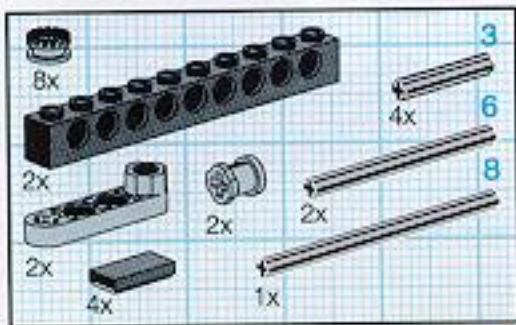
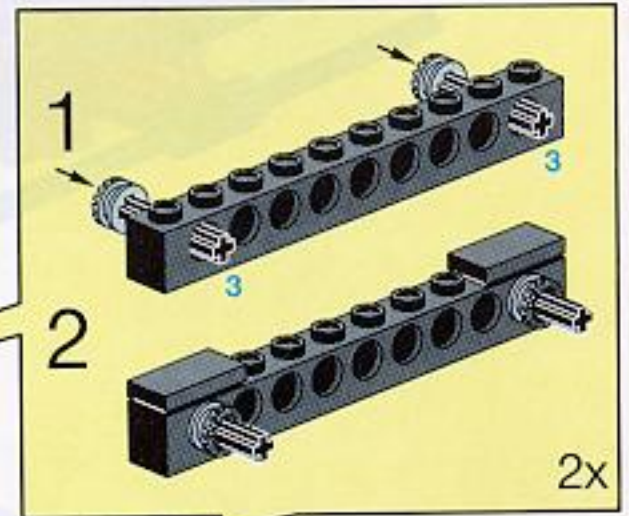
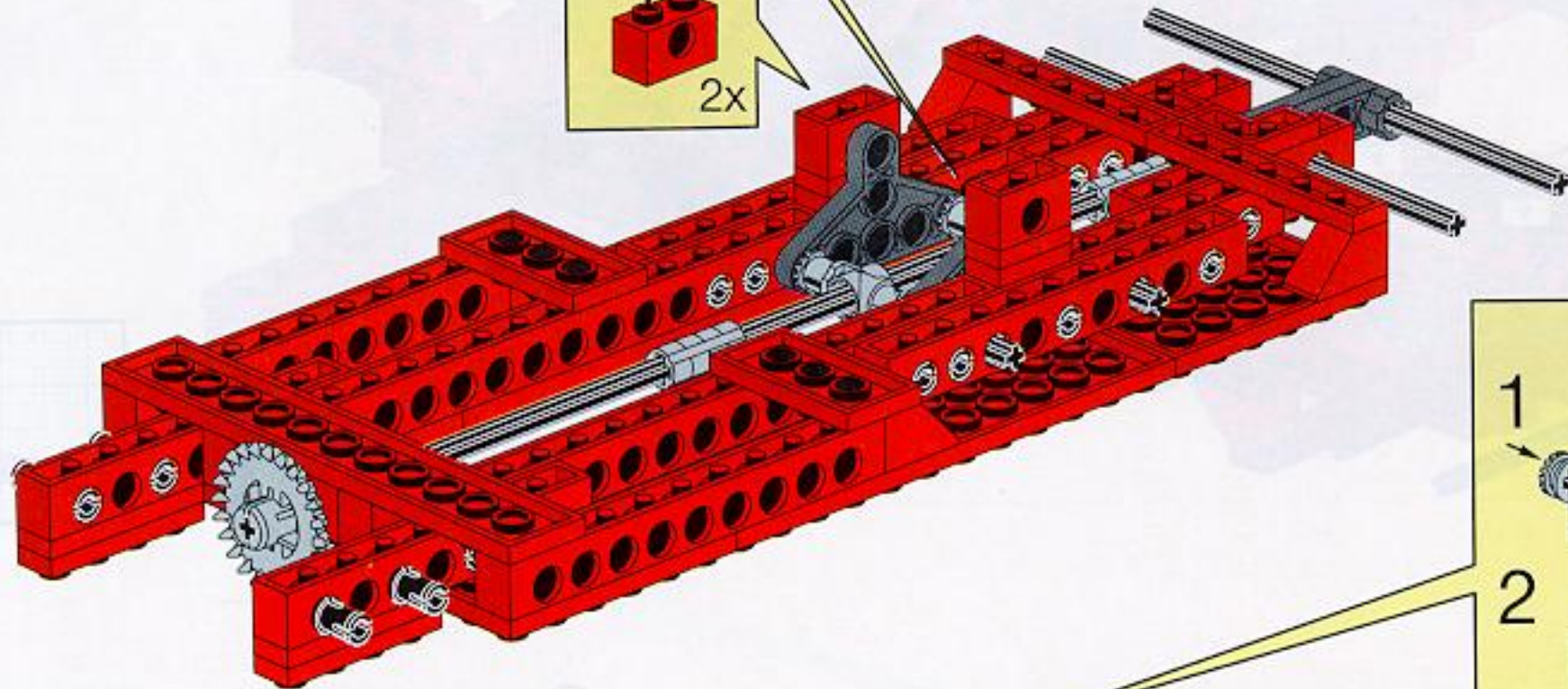
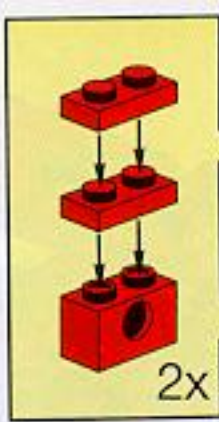


8

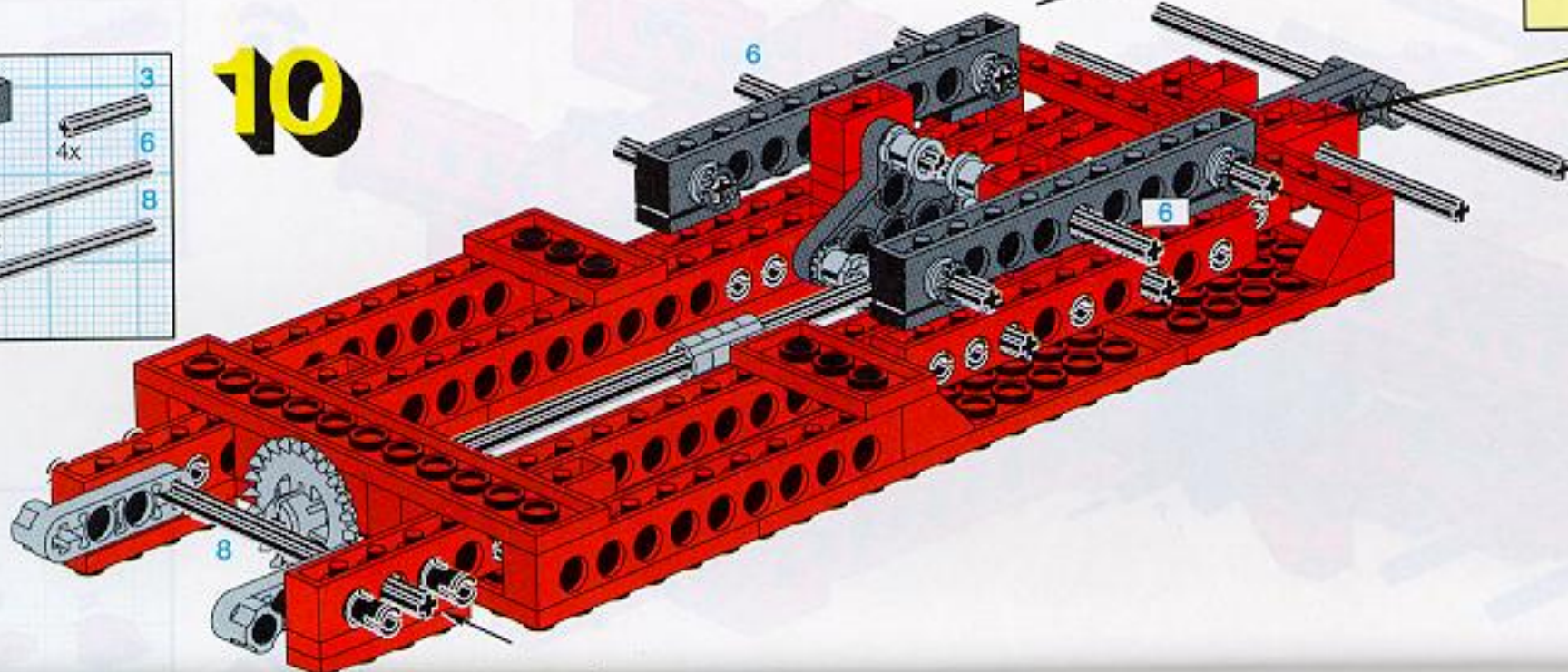




9



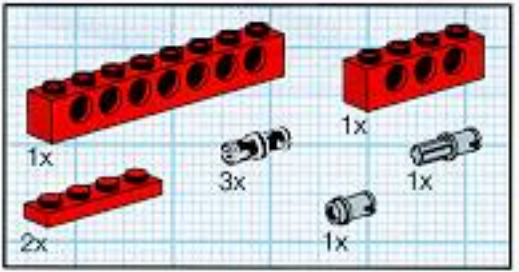
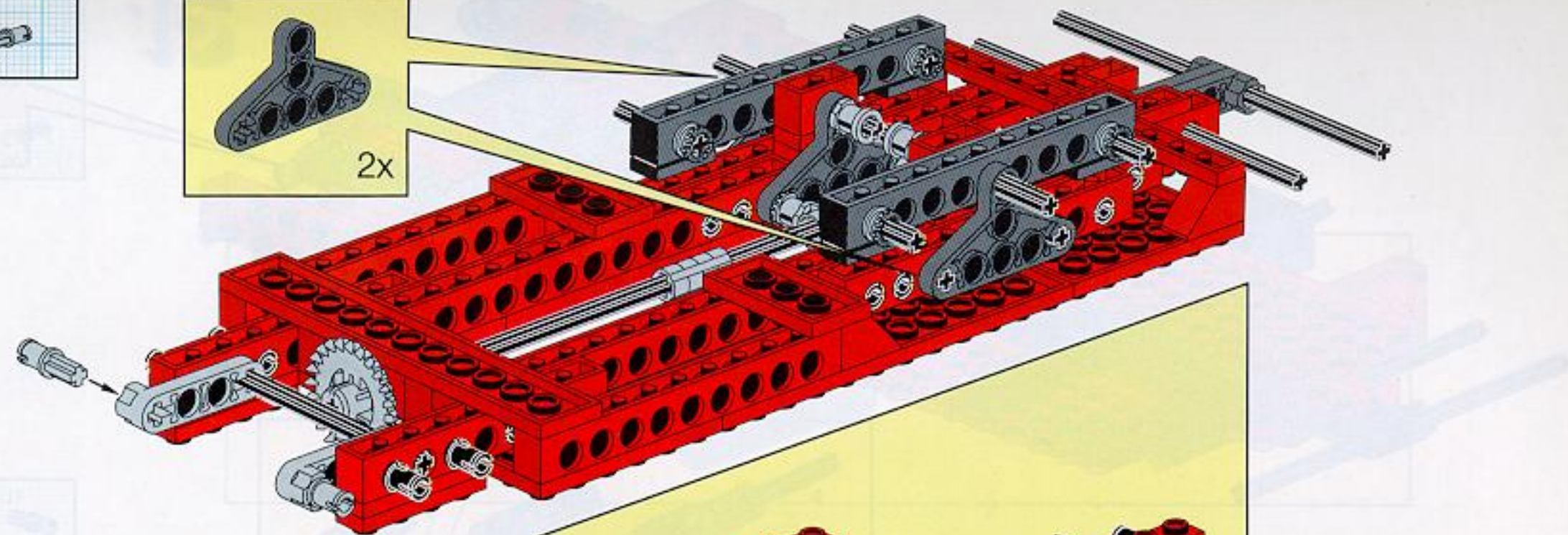
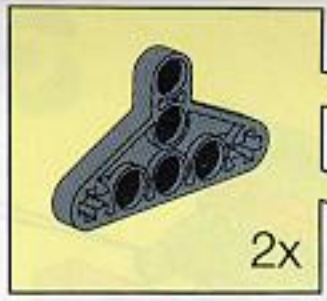
10



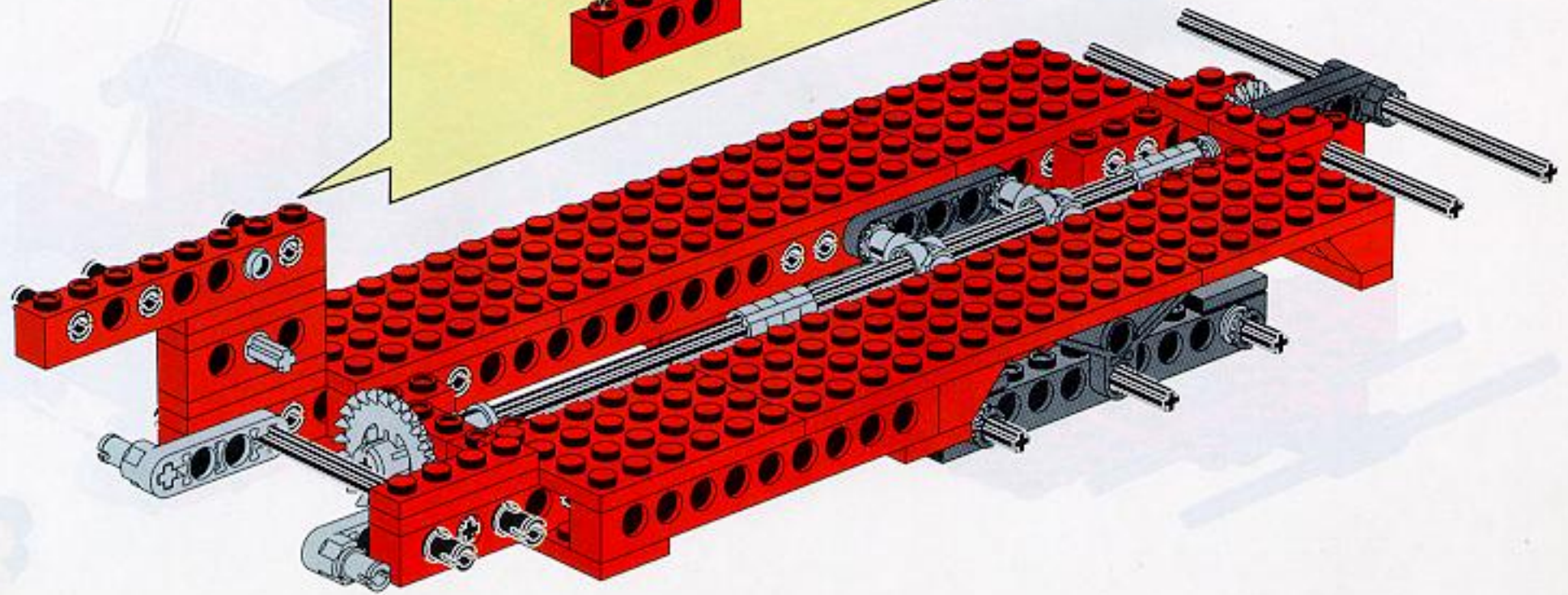
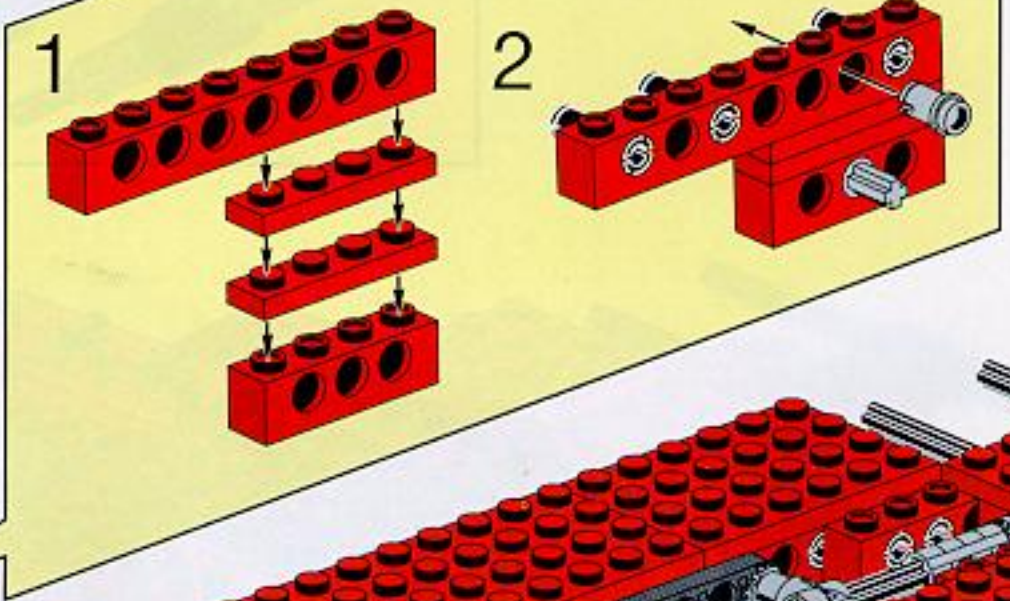




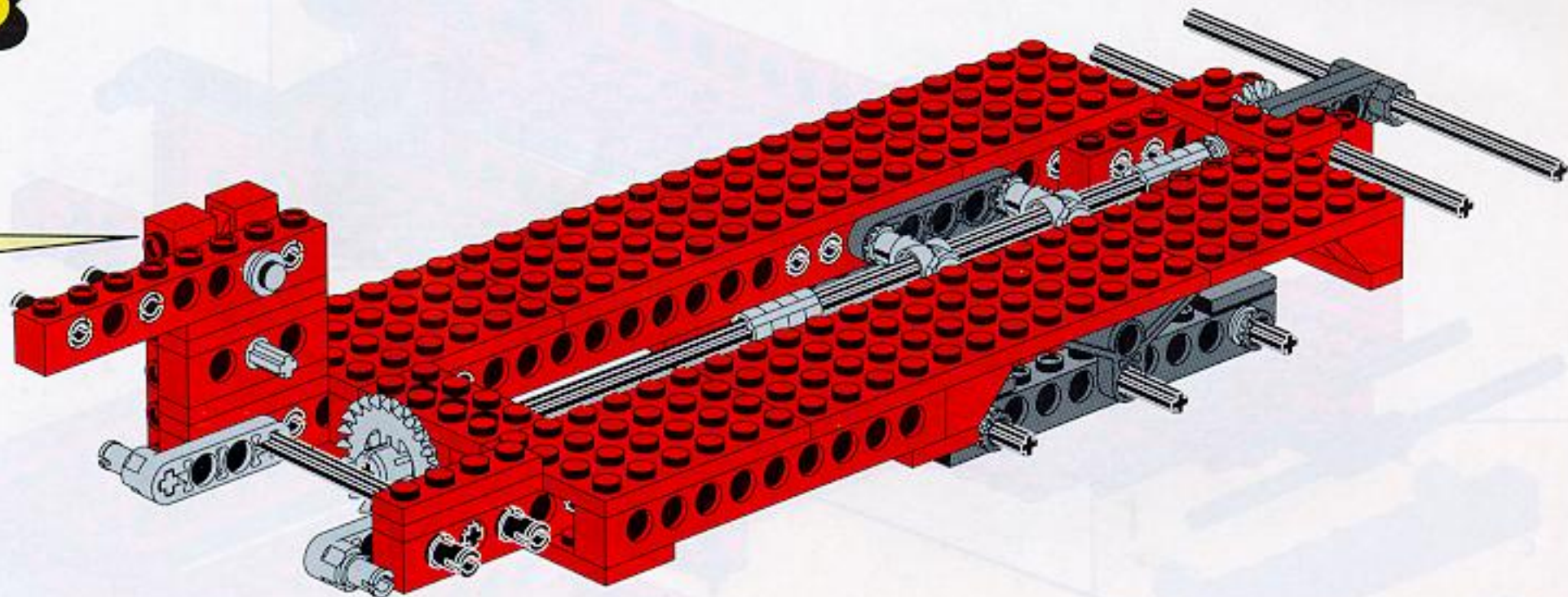
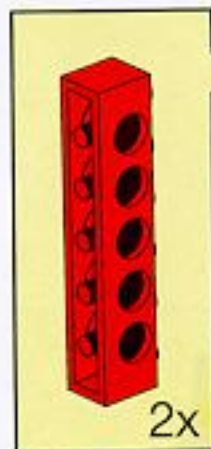
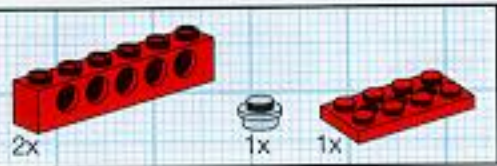
11



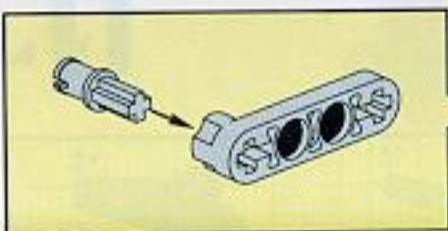
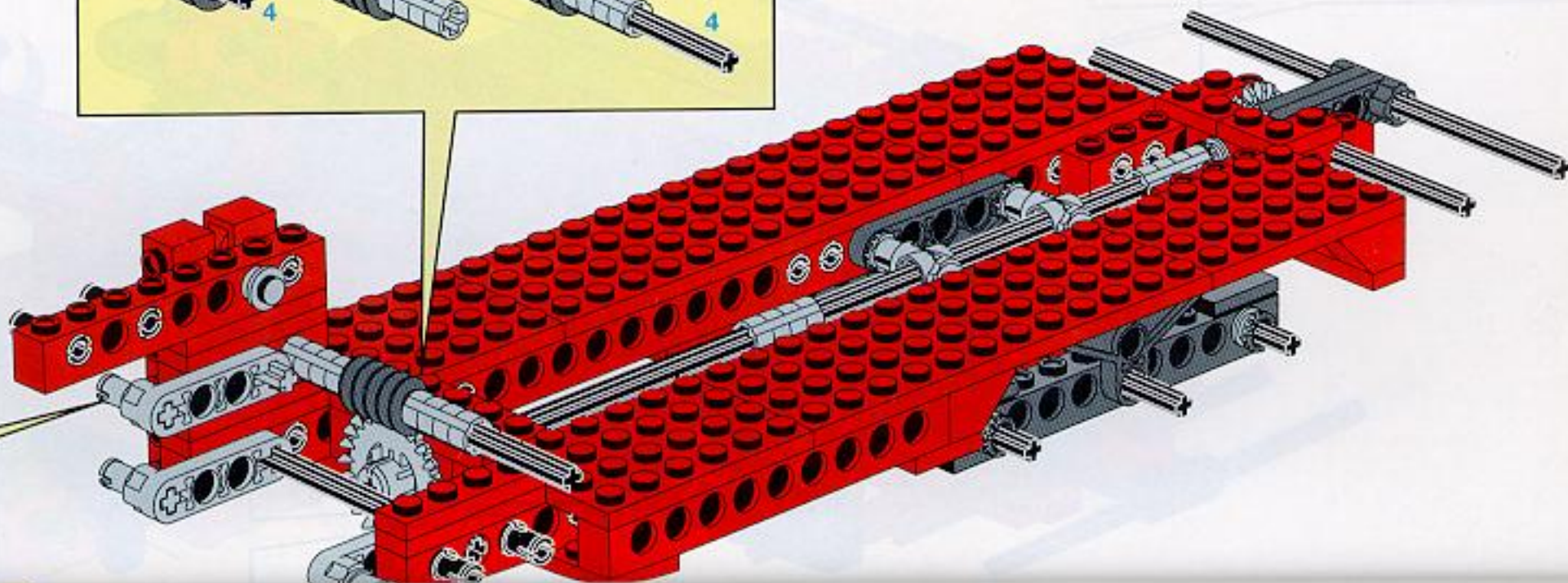
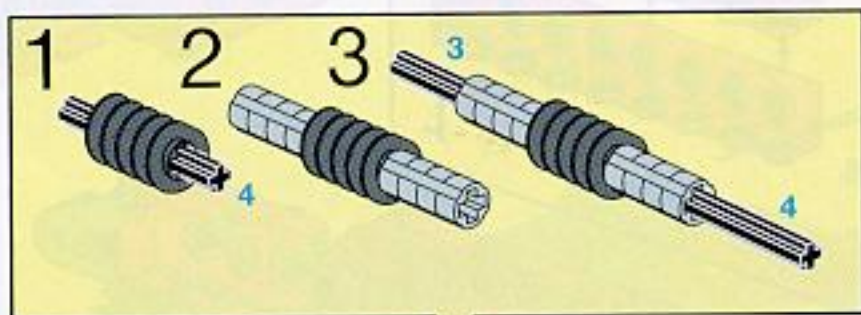
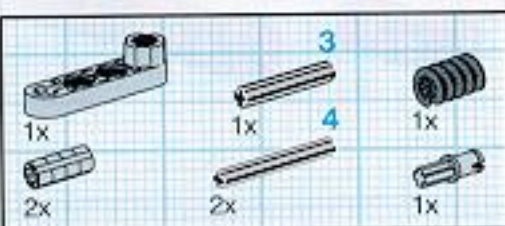
12



# 13



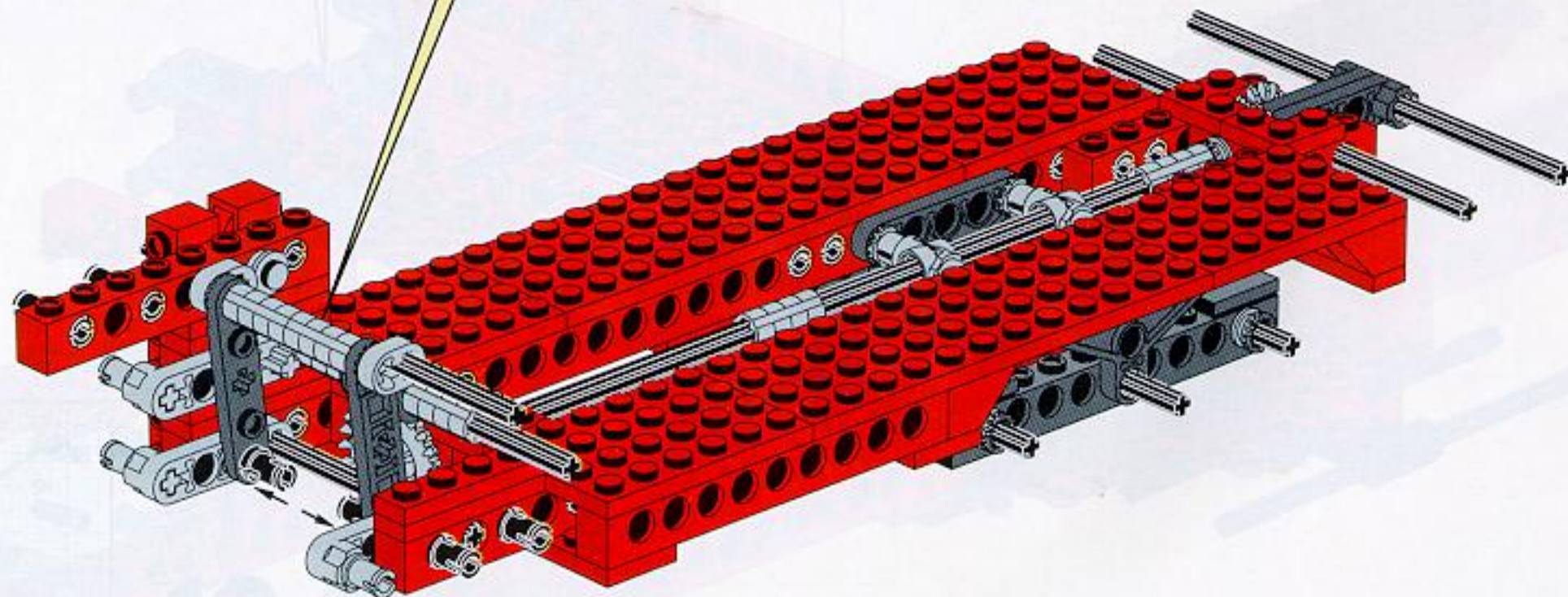
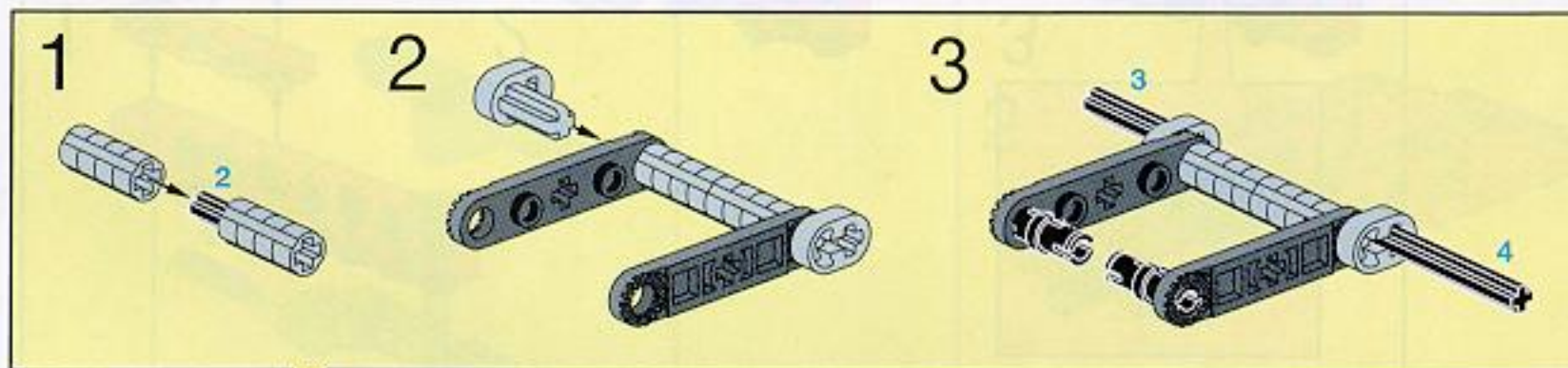
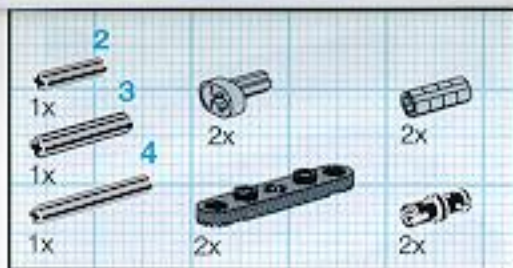
# 14



# 15

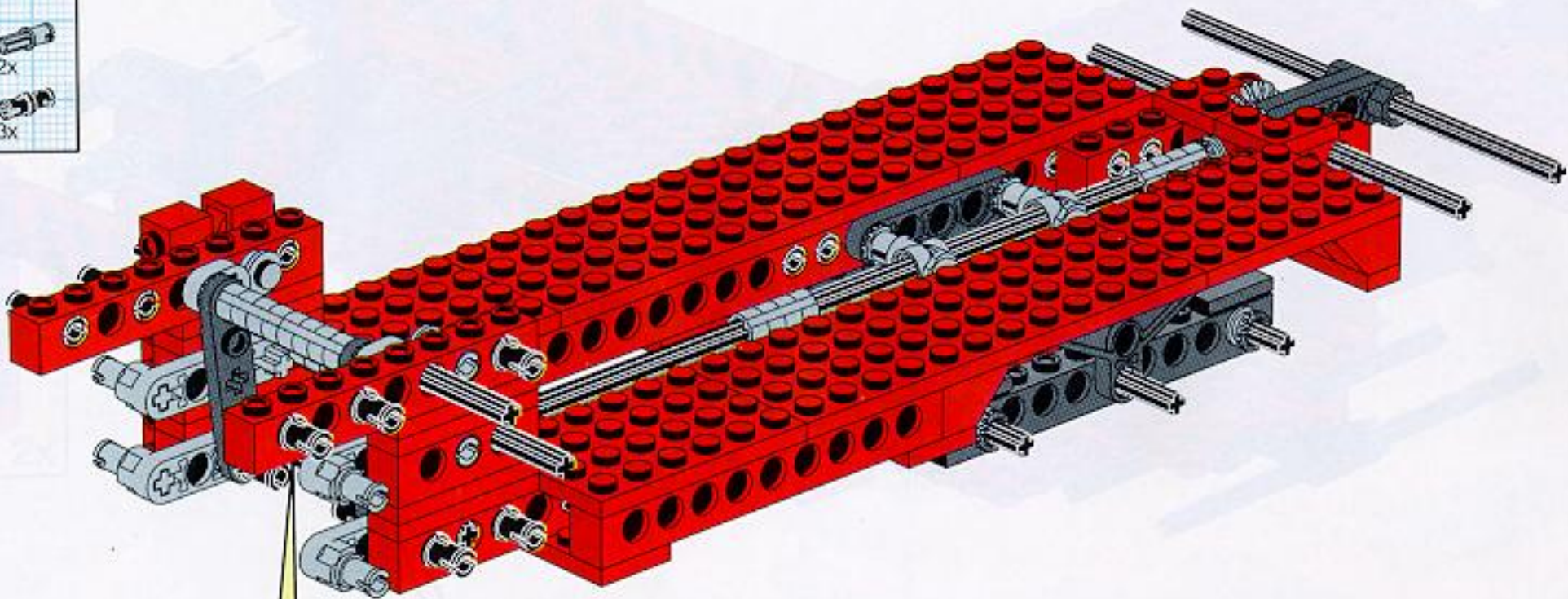


# 15



# 16

		1x		
		1x		2x
		1x		3x



This section provides a detailed view of the assembly process for step 16, numbered 1, 2, and 3.

- Step 1:** Shows four red Technic beams (1x7, 1x3, 1x3, 1x3) being stacked on top of each other.
- Step 2:** Shows a grey Technic pin being inserted into the second hole from the left of the top 1x7 beam.
- Step 3:** Shows a grey Technic bush being inserted into the fourth hole from the left of the top 1x7 beam. A callout box shows a close-up of the bush being inserted into the hole.

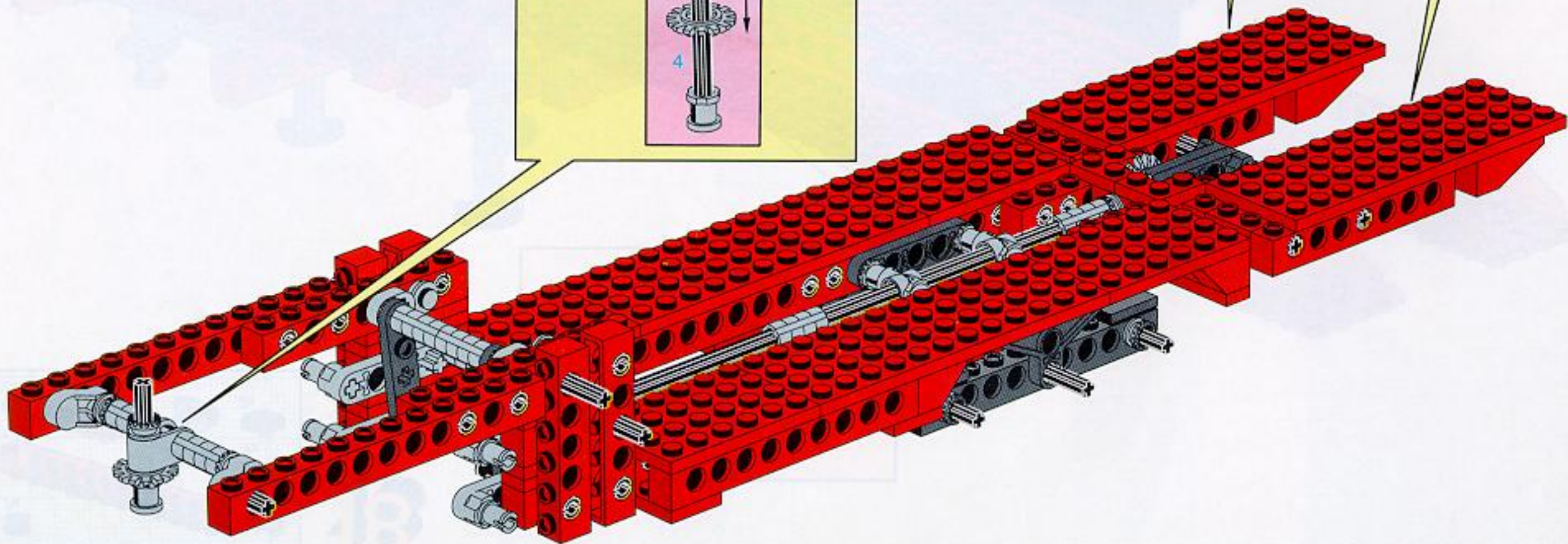
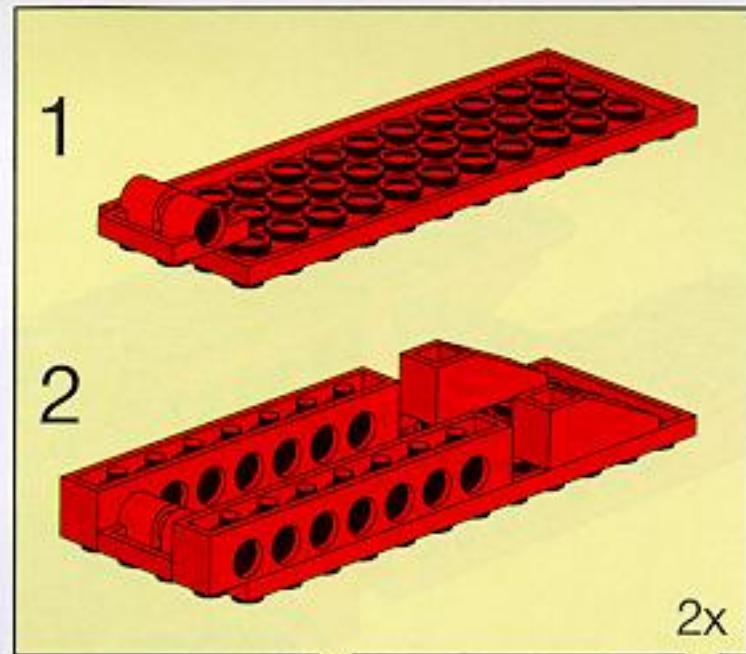
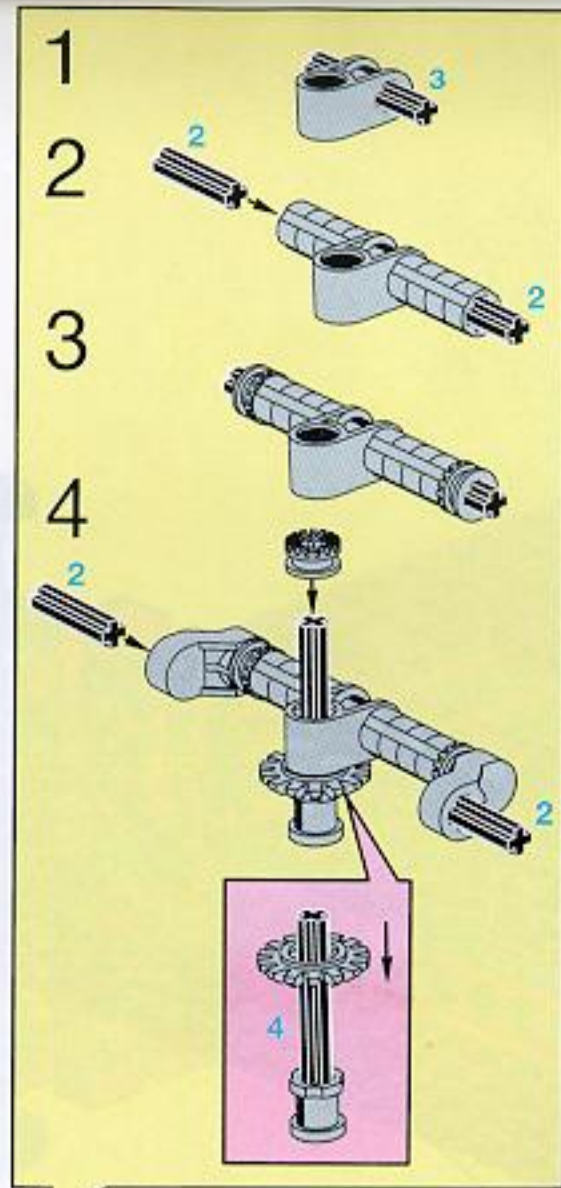
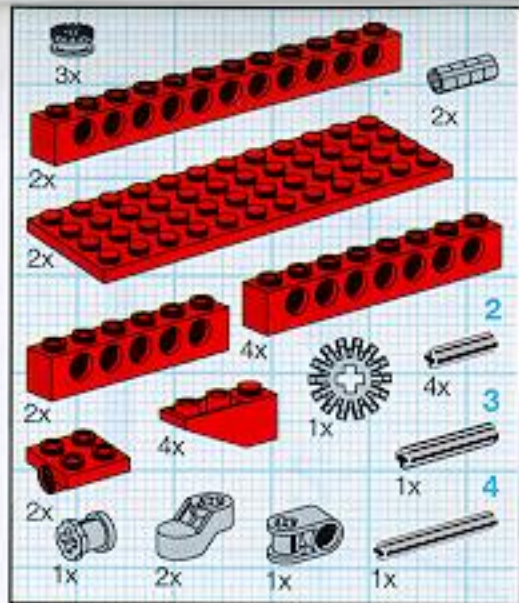
		3x	
--	--	----	--

# 17

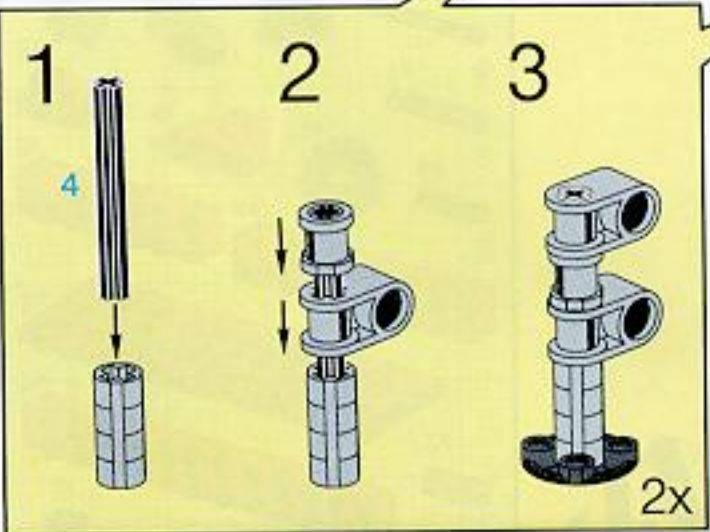
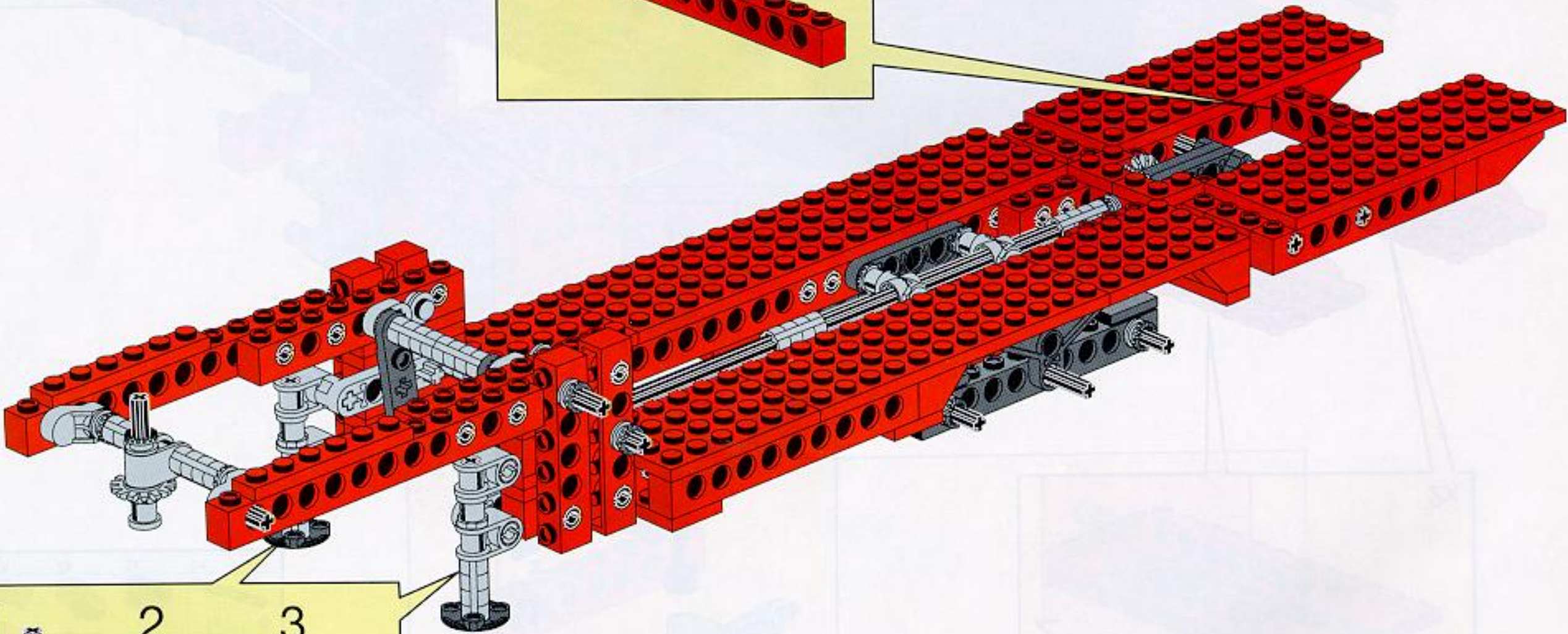
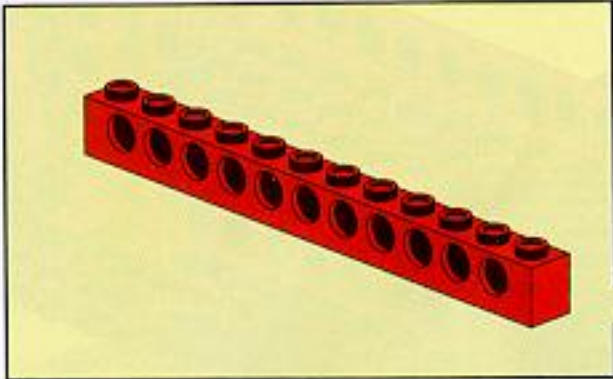
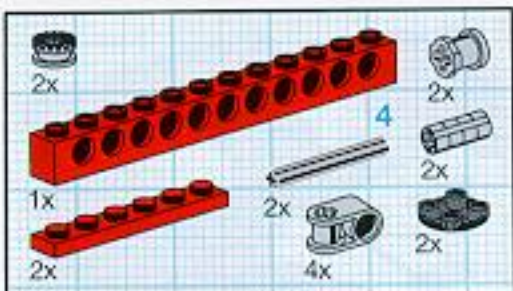
1		3
---	--	---

A partial assembly diagram for step 17, showing a red Technic beam with a grey Technic bush inserted into one of its holes.

17

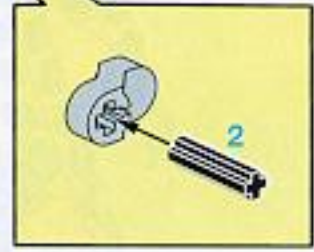
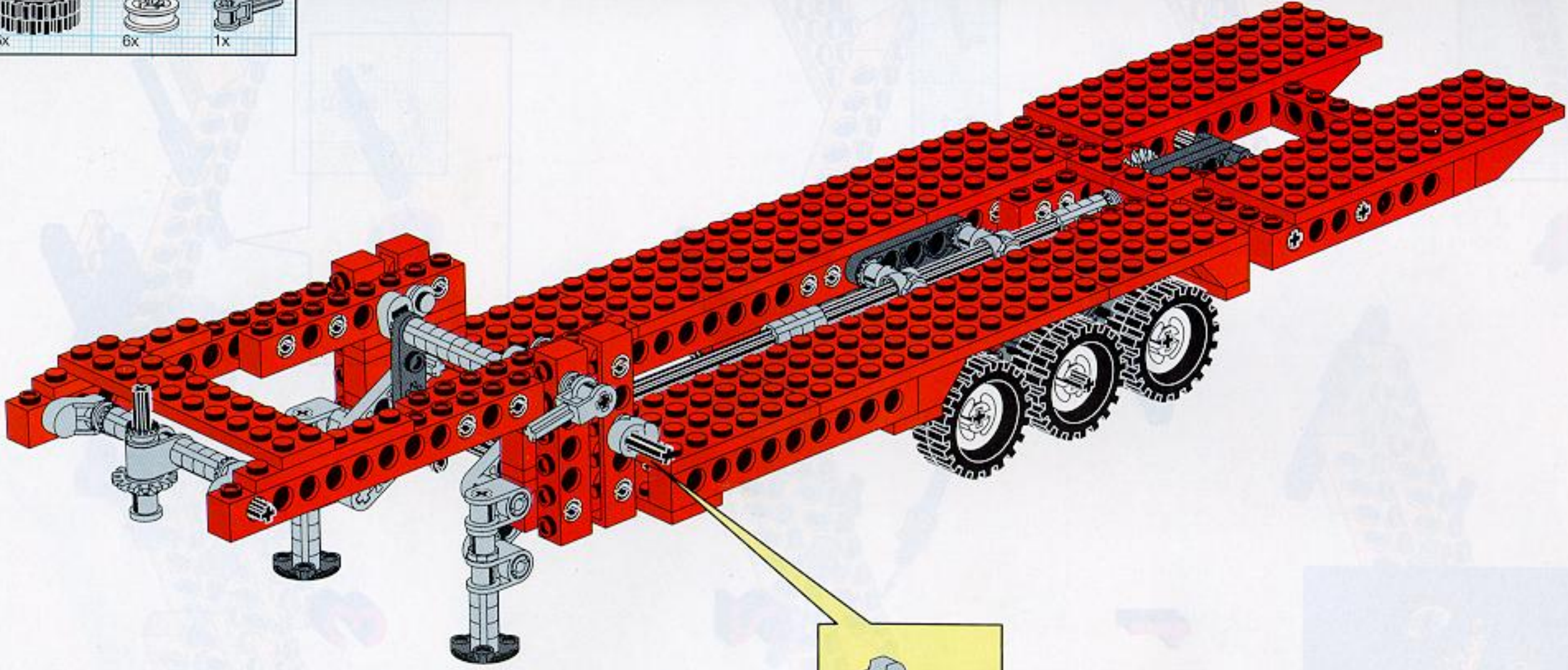
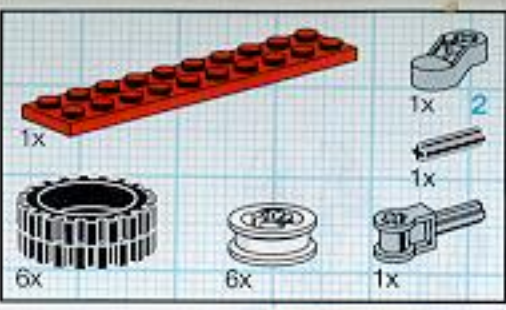


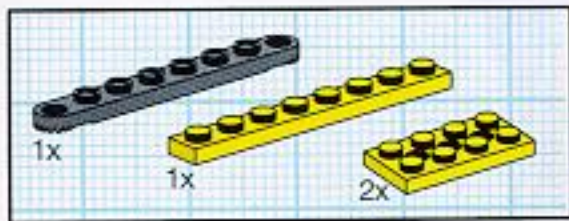
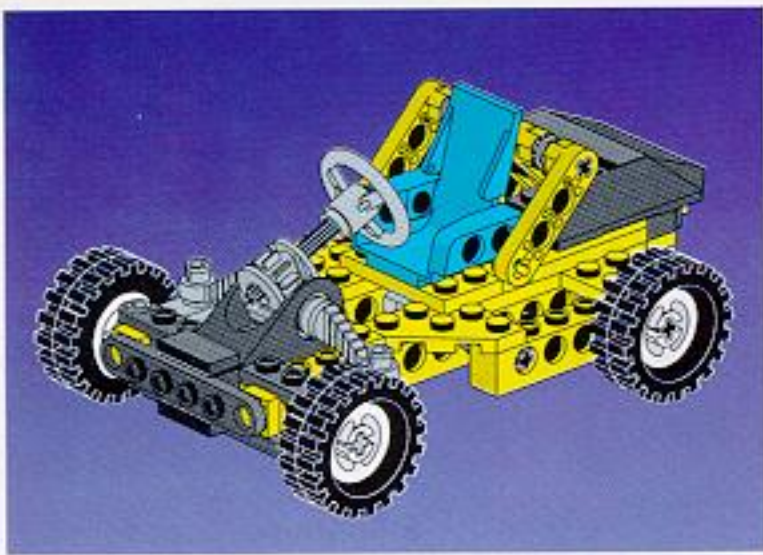
# 18



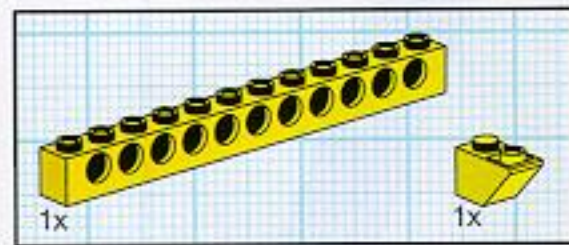
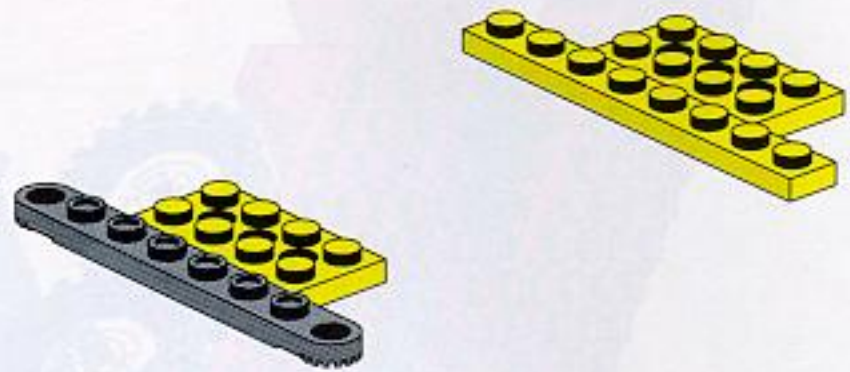
# 19

# 19

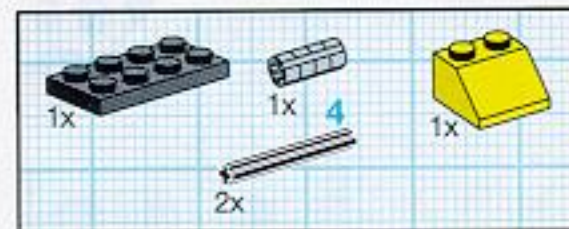
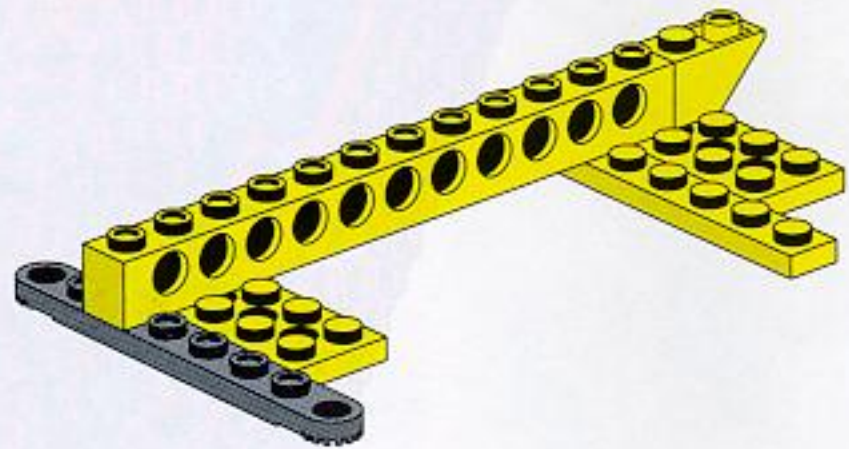




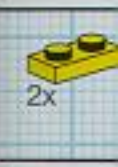
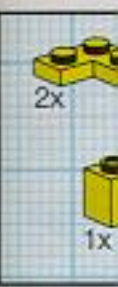
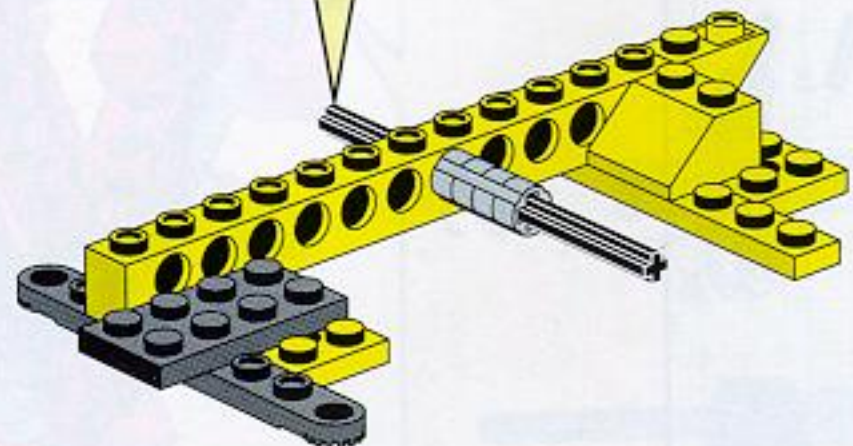
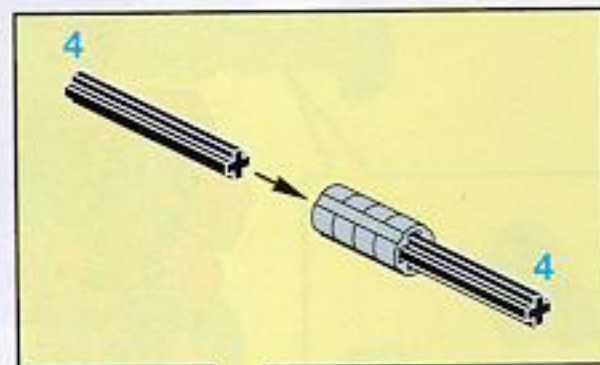
**1**



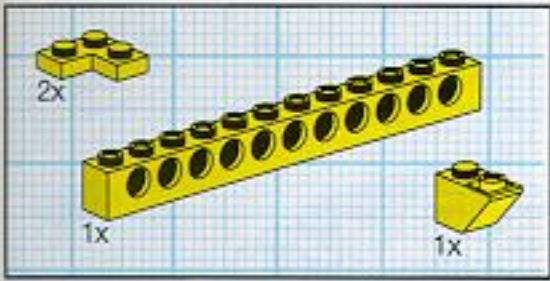
**2**



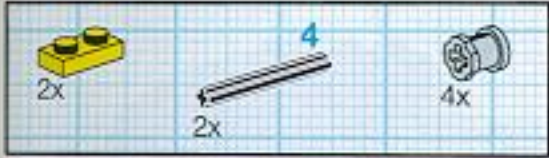
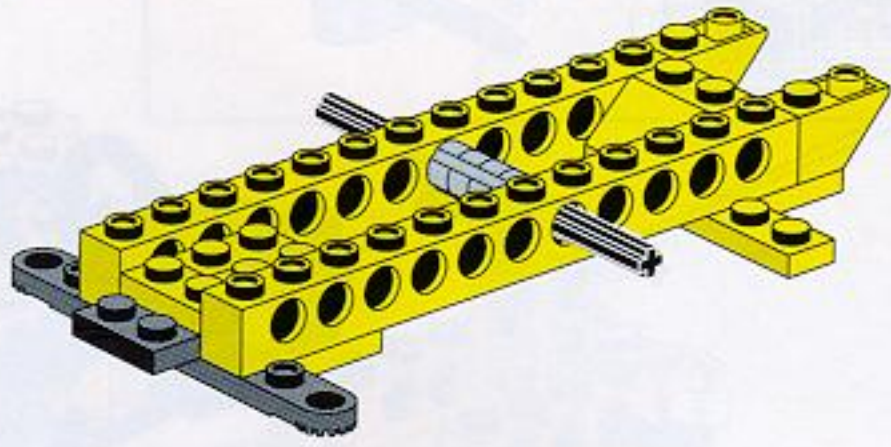
**3**



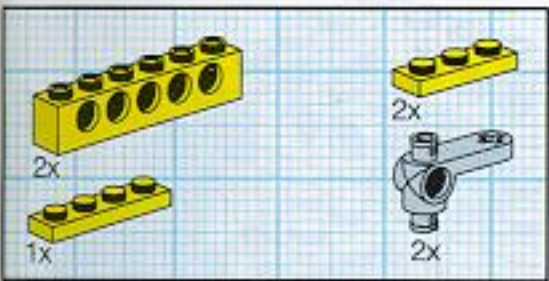
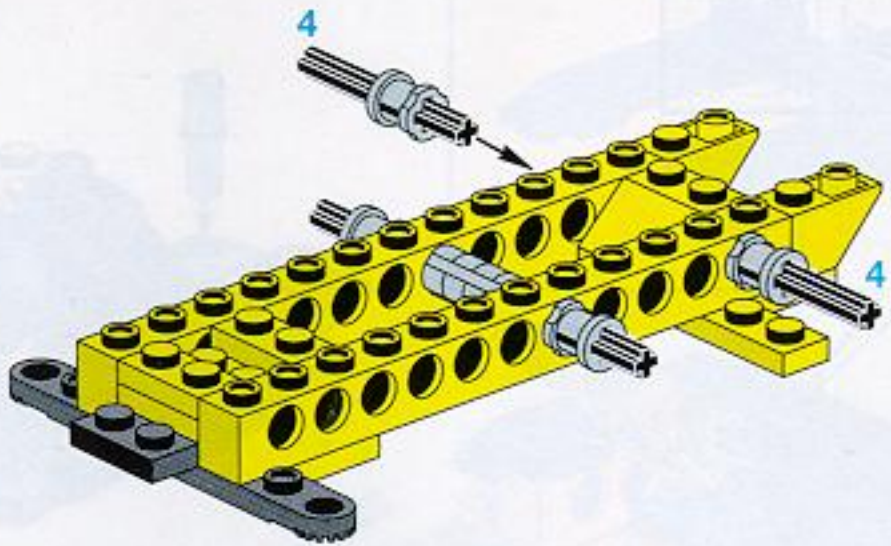




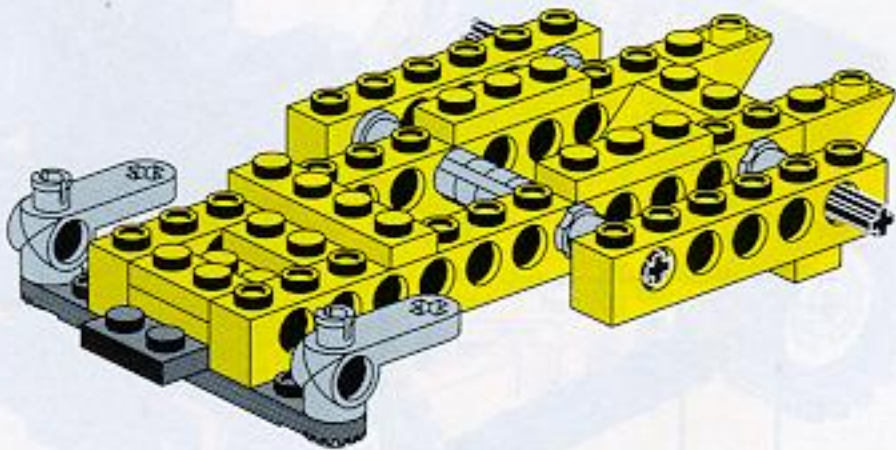
4

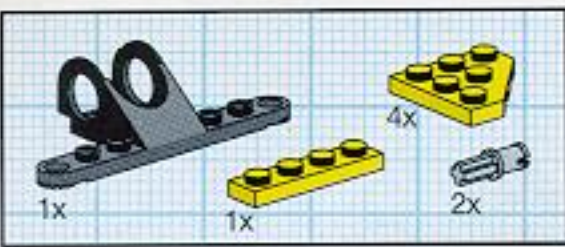


5

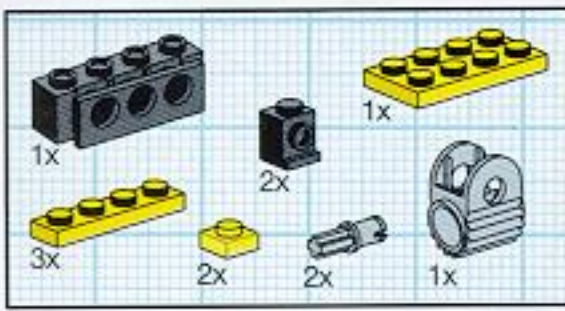
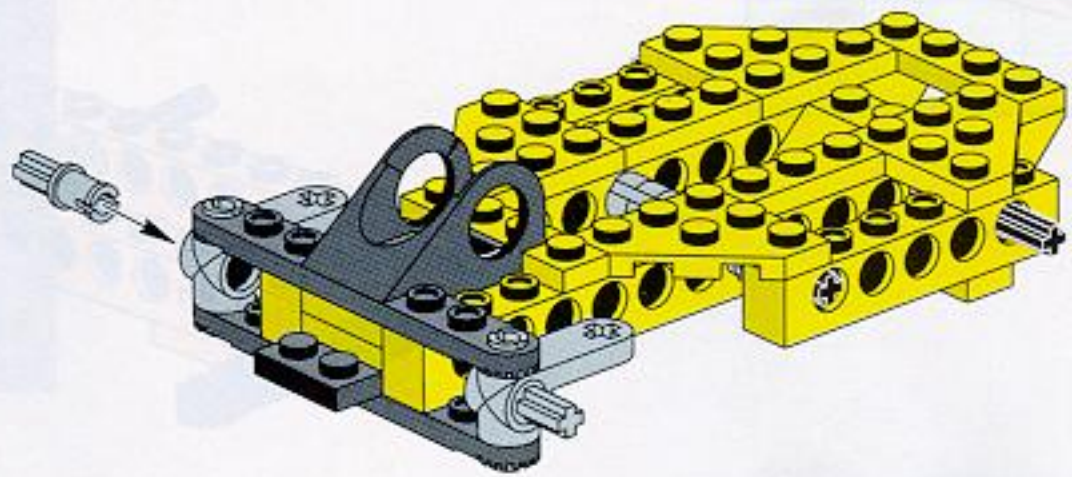


6

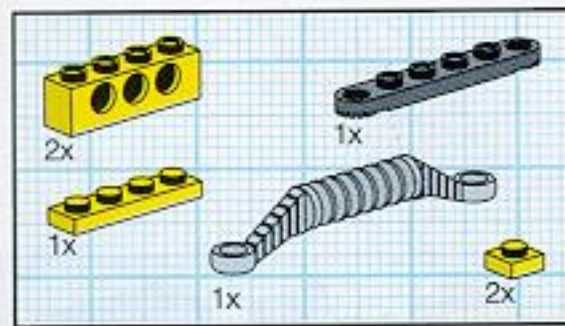
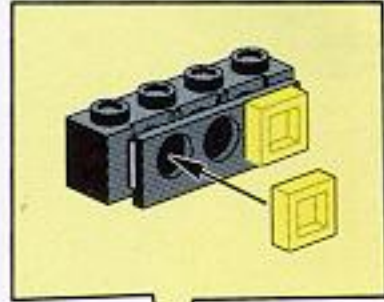
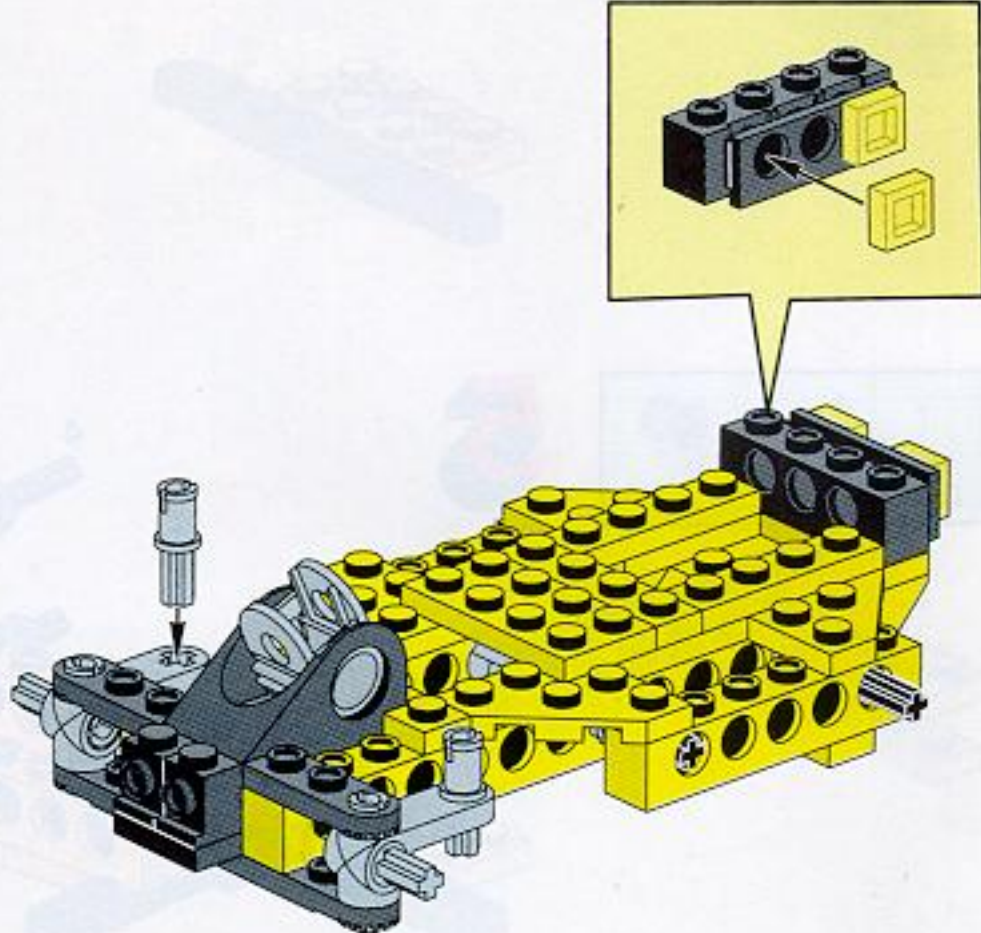




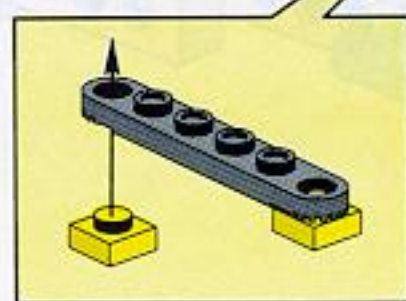
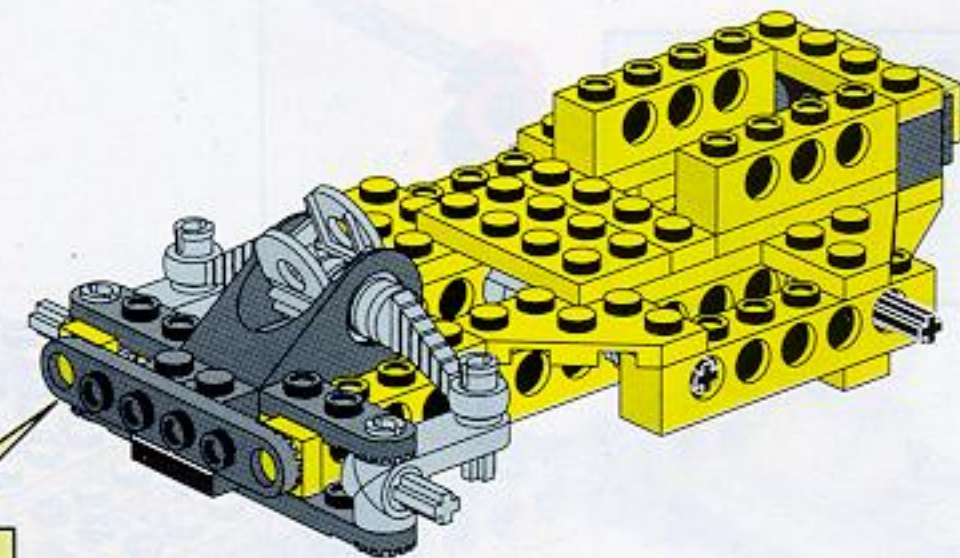
7



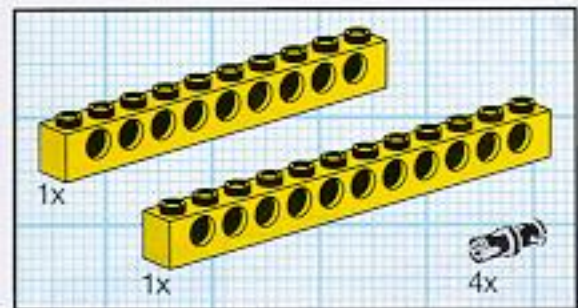
8



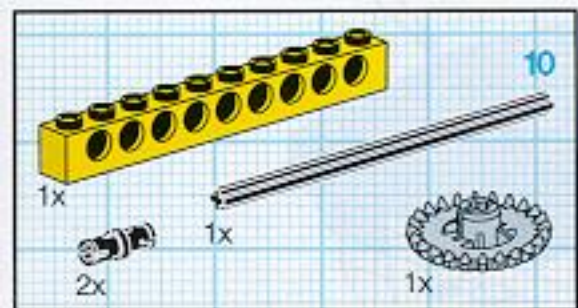
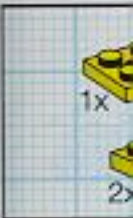
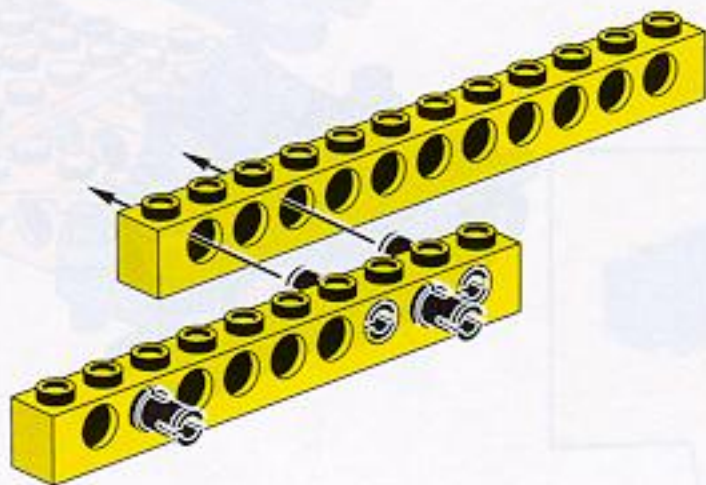
9



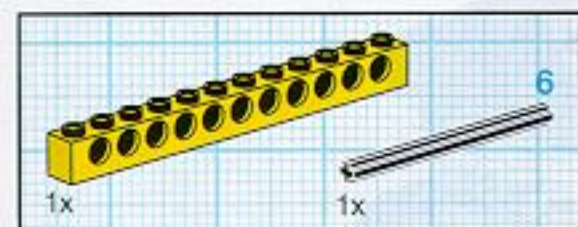
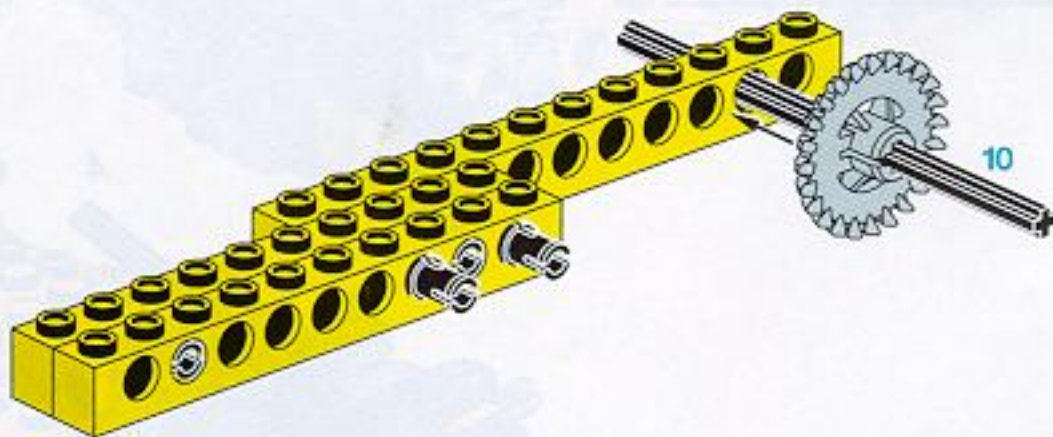




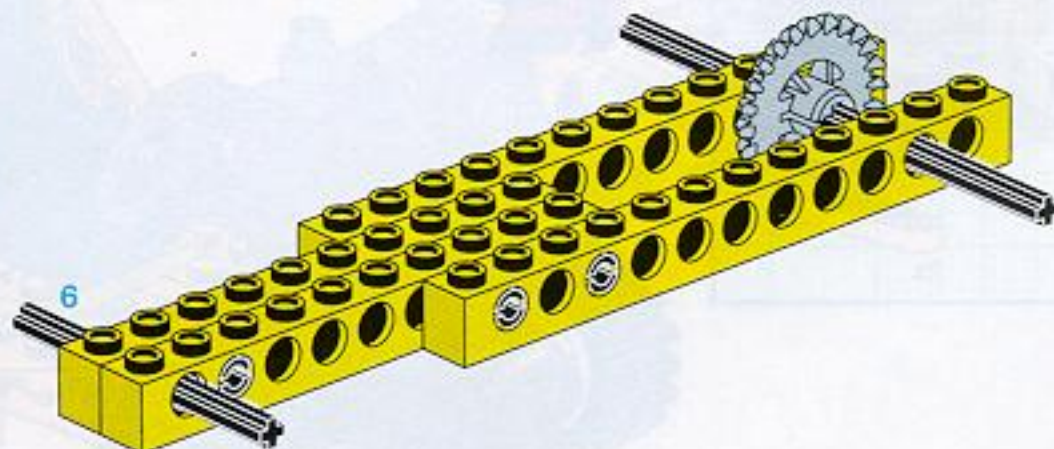
**1**

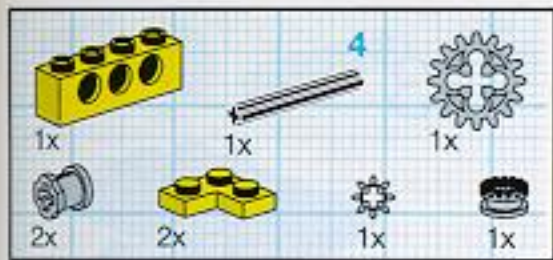


**2**

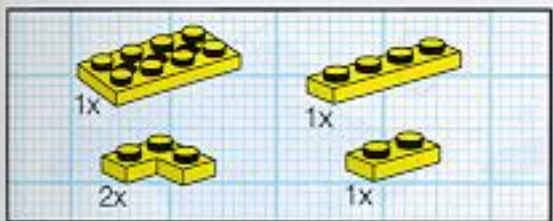
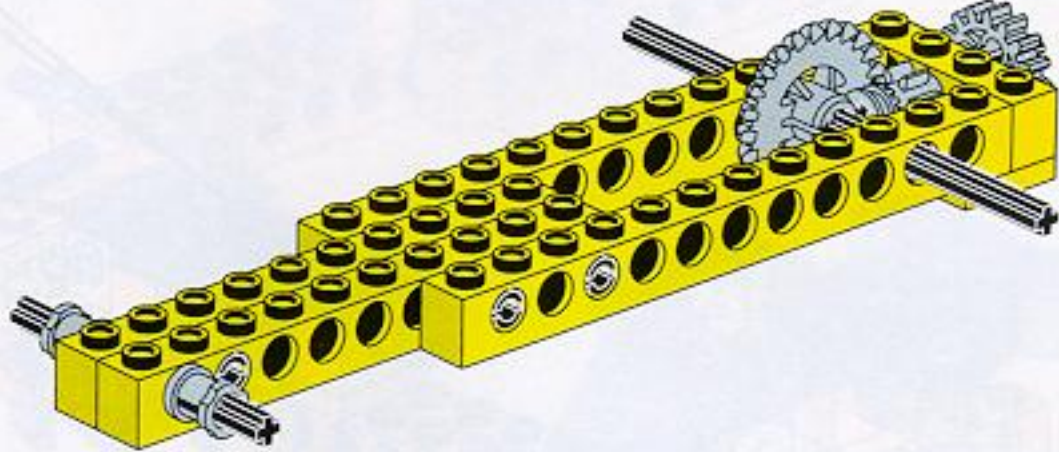
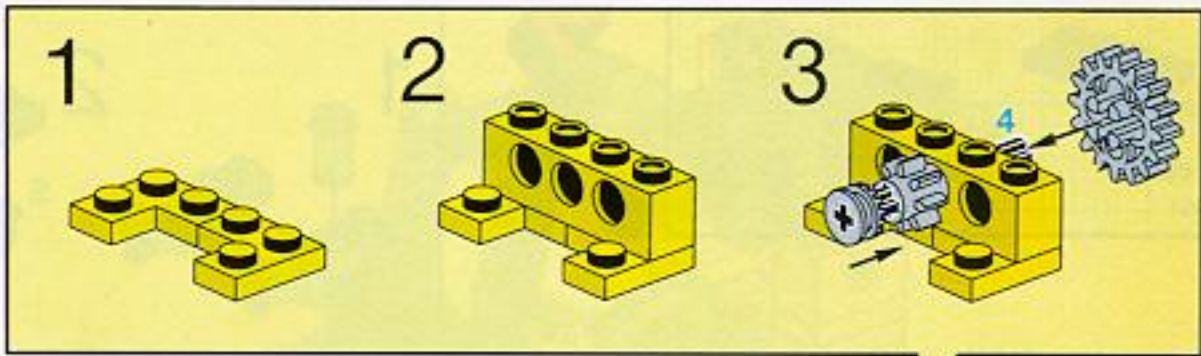


**3**

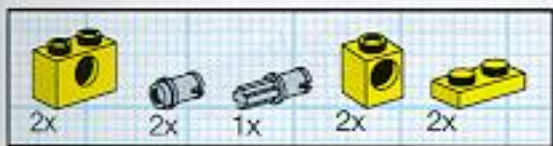
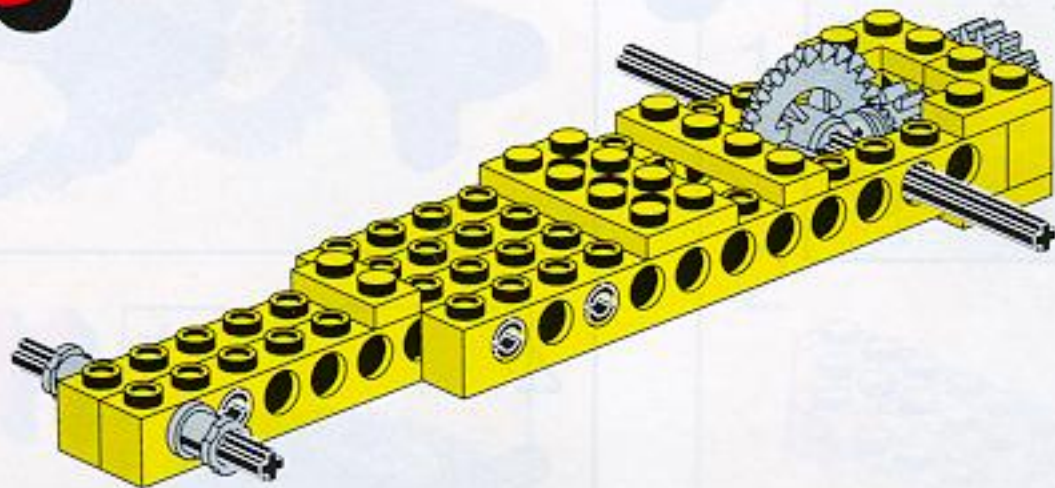




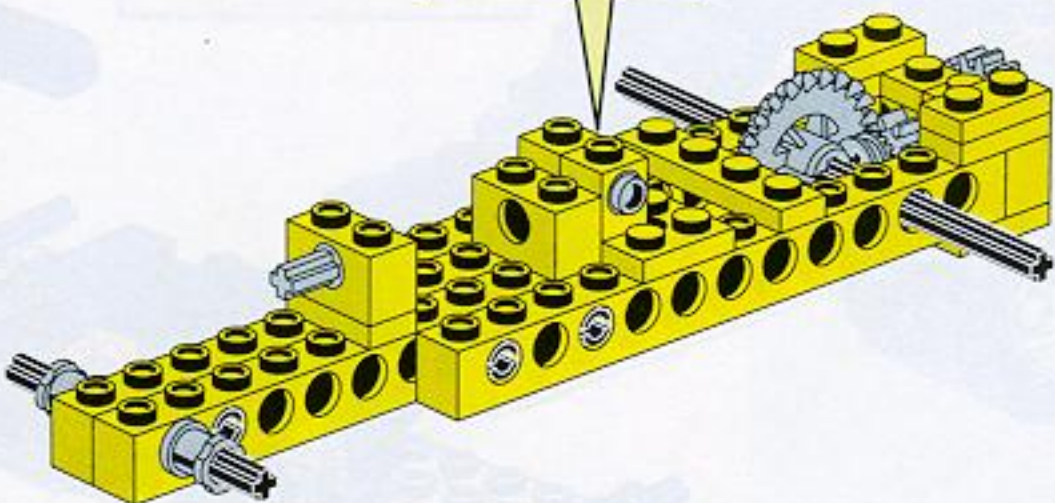
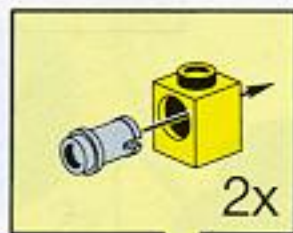
**4**

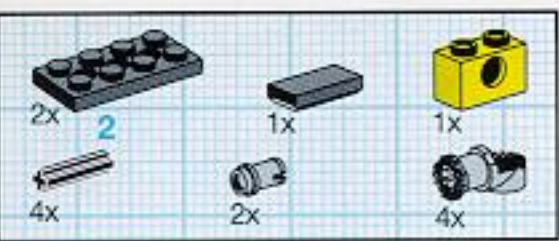


**5**

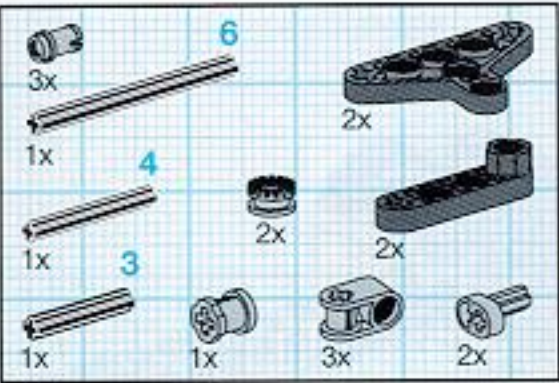
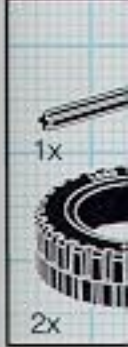
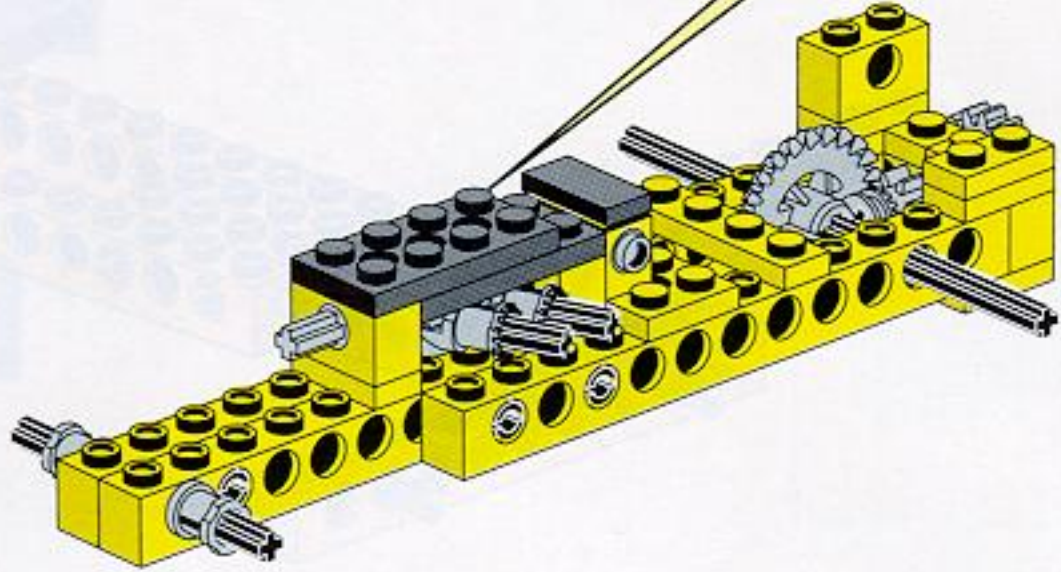
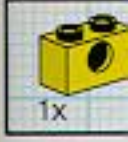
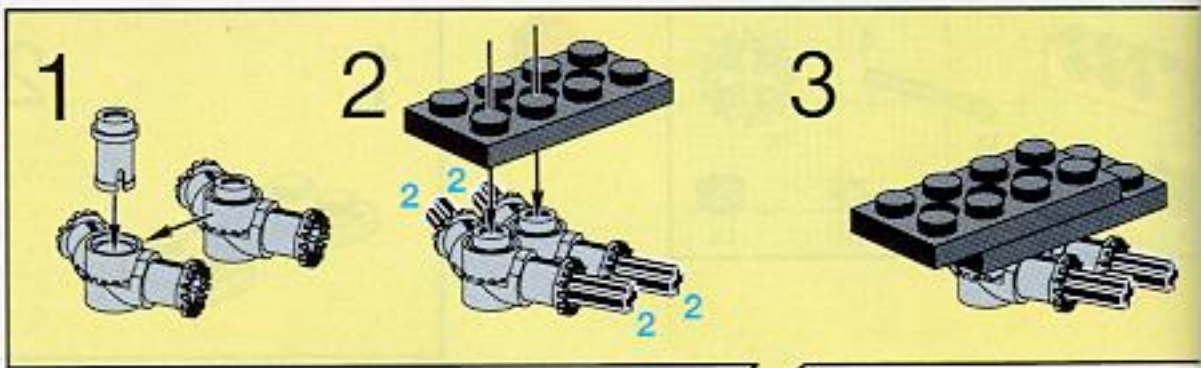


**6**

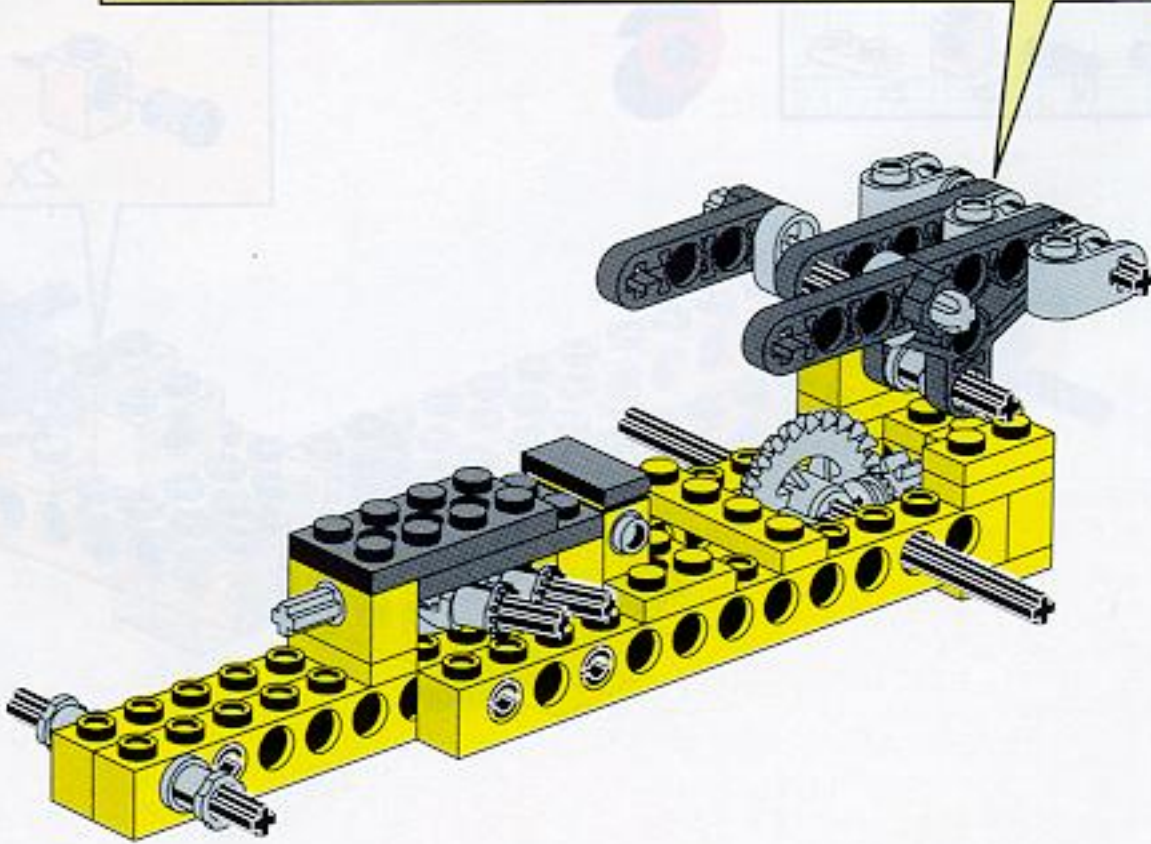
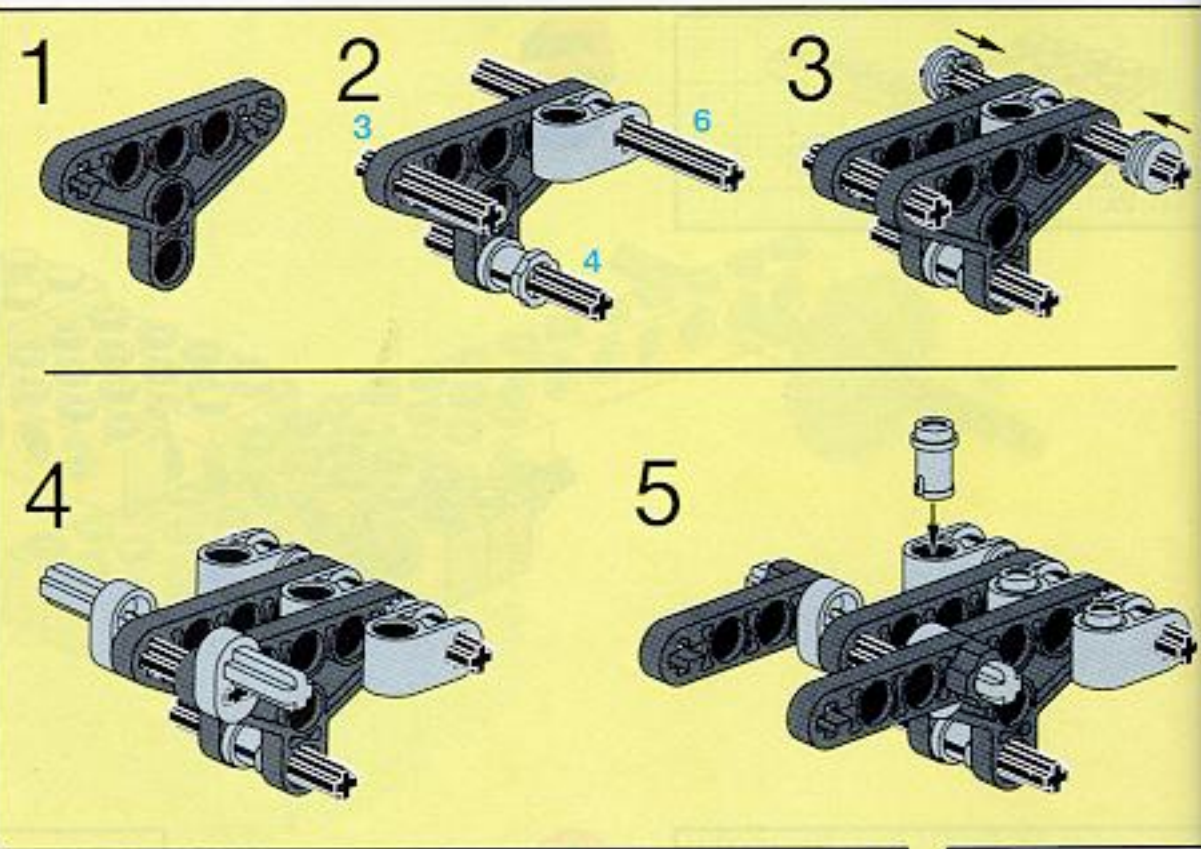


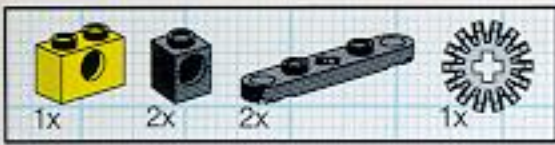


7

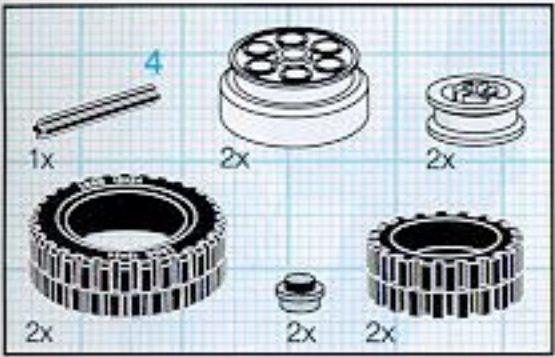
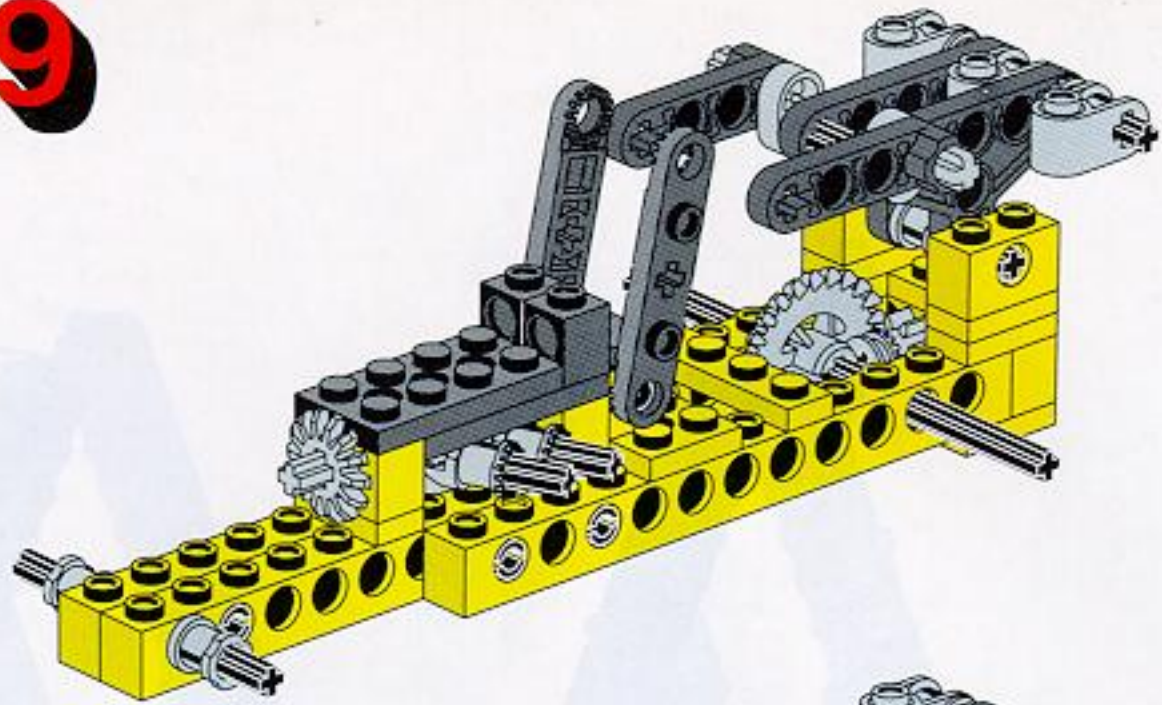


8

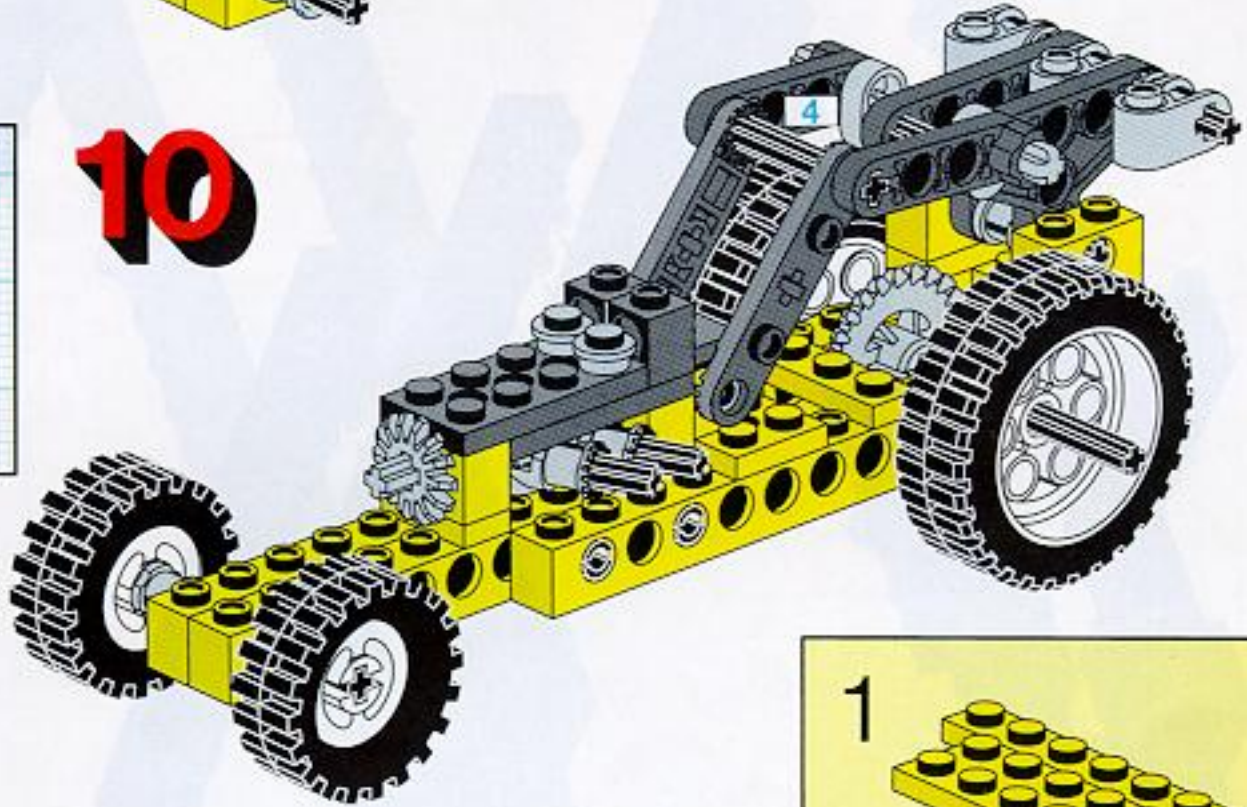




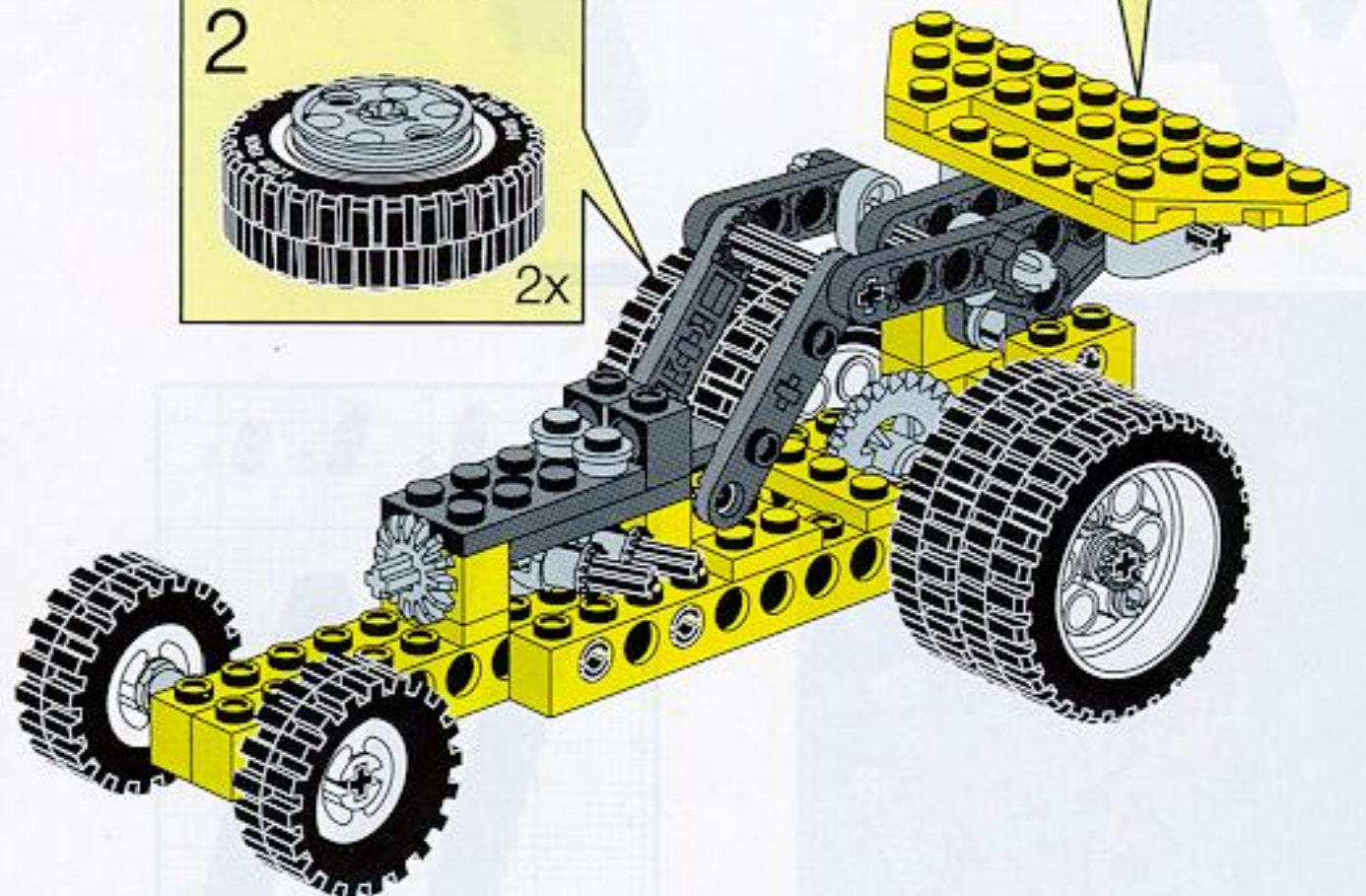
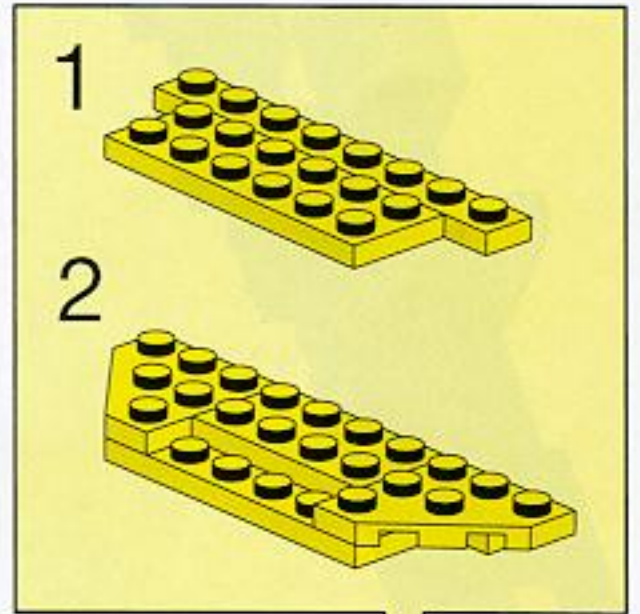
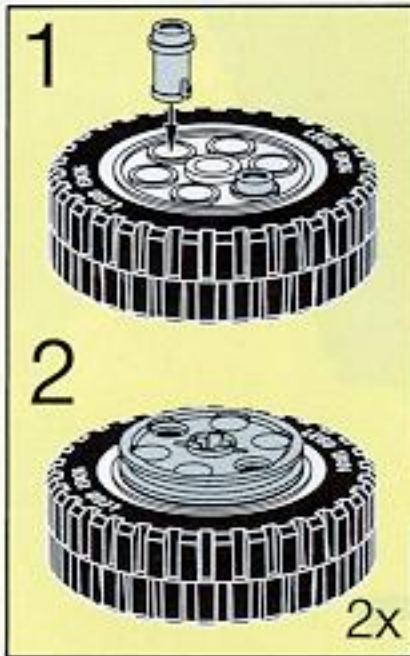
9

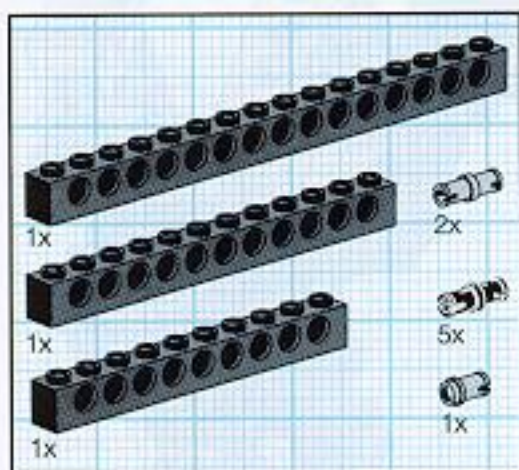
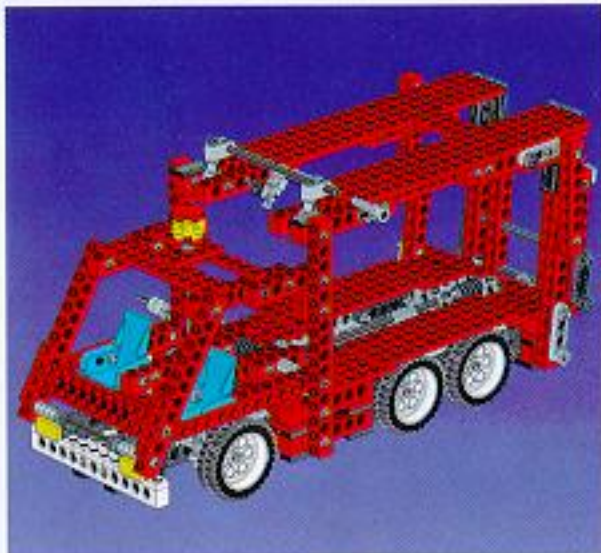


10

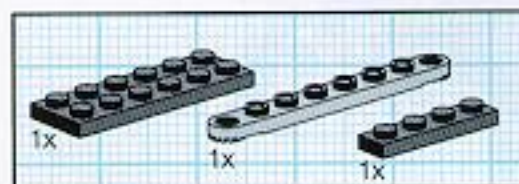
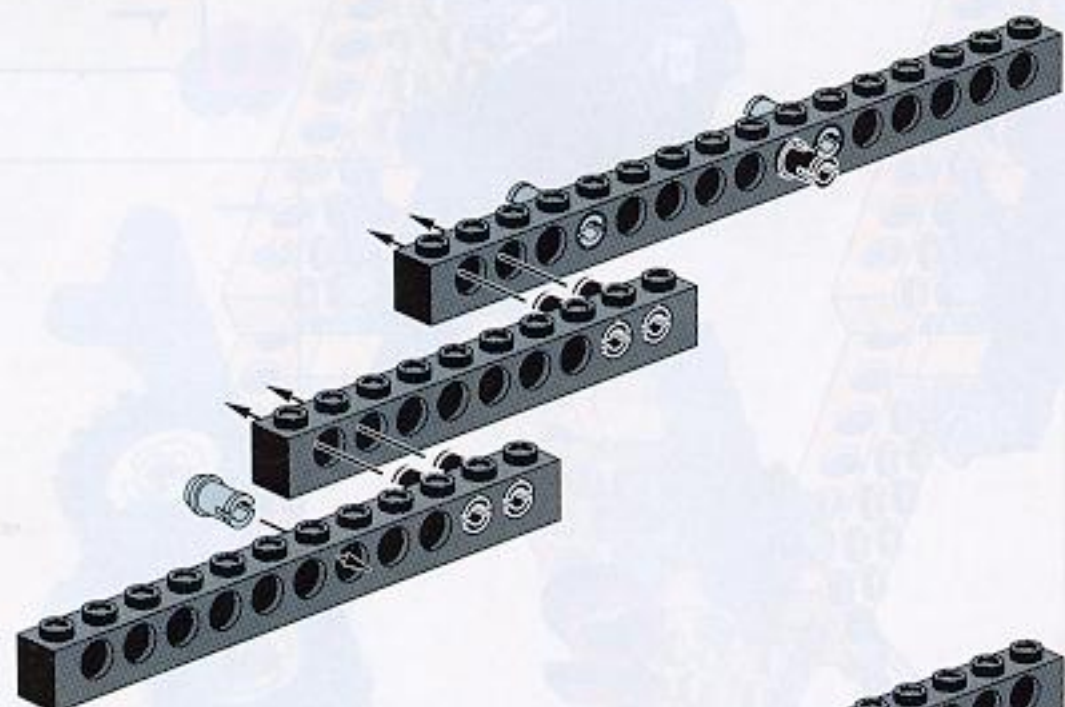


11

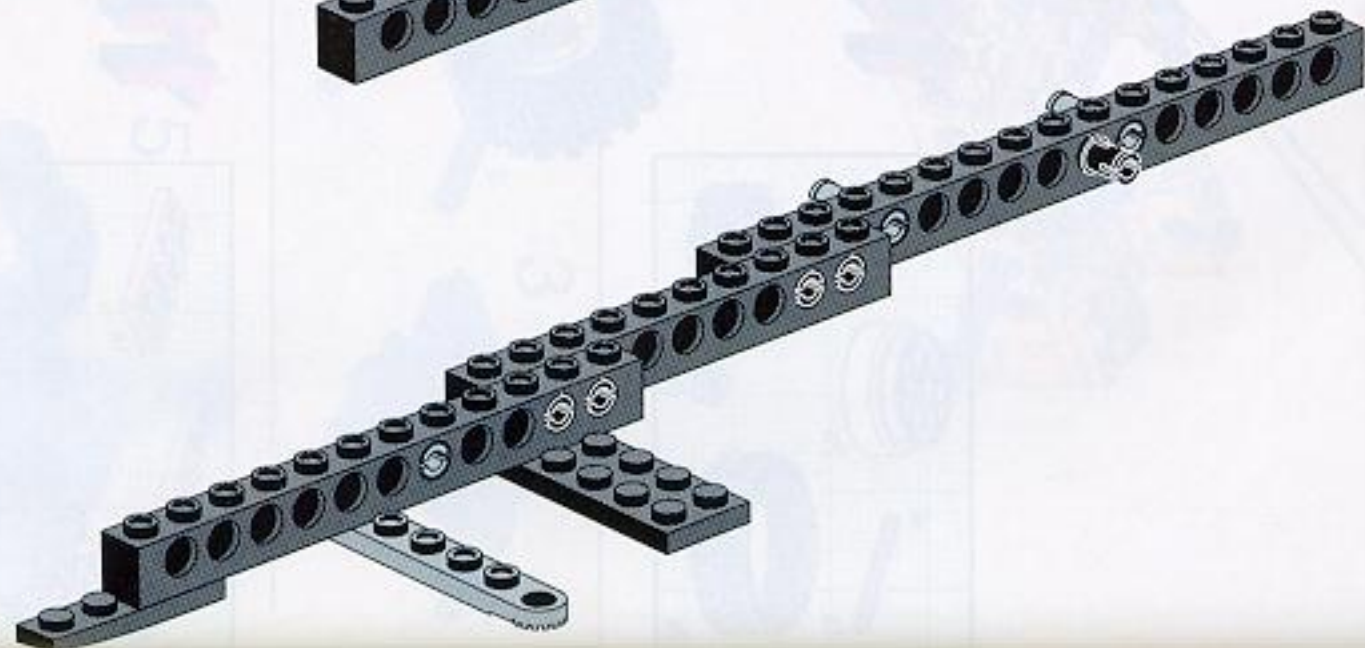




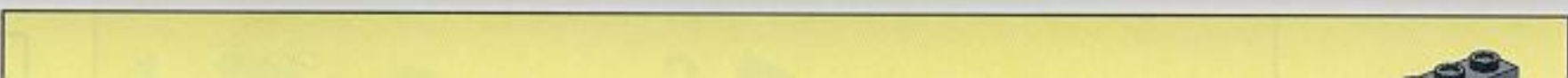
1



2

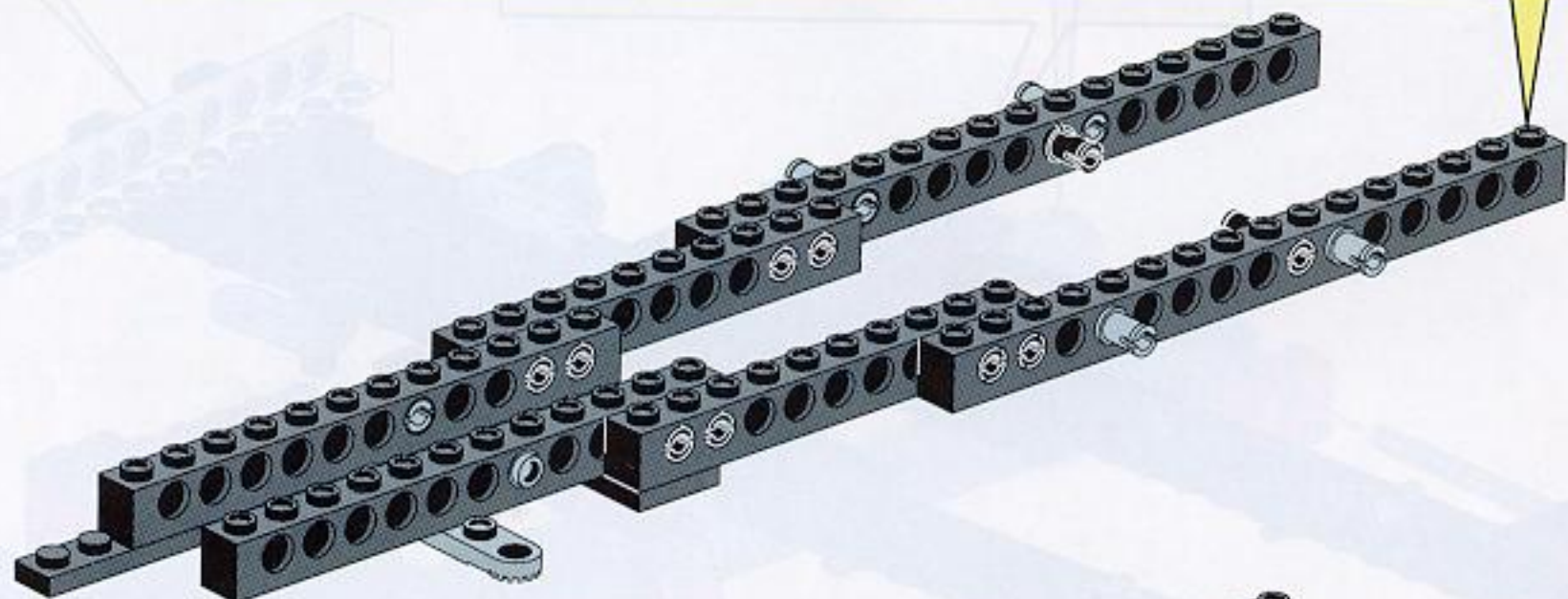
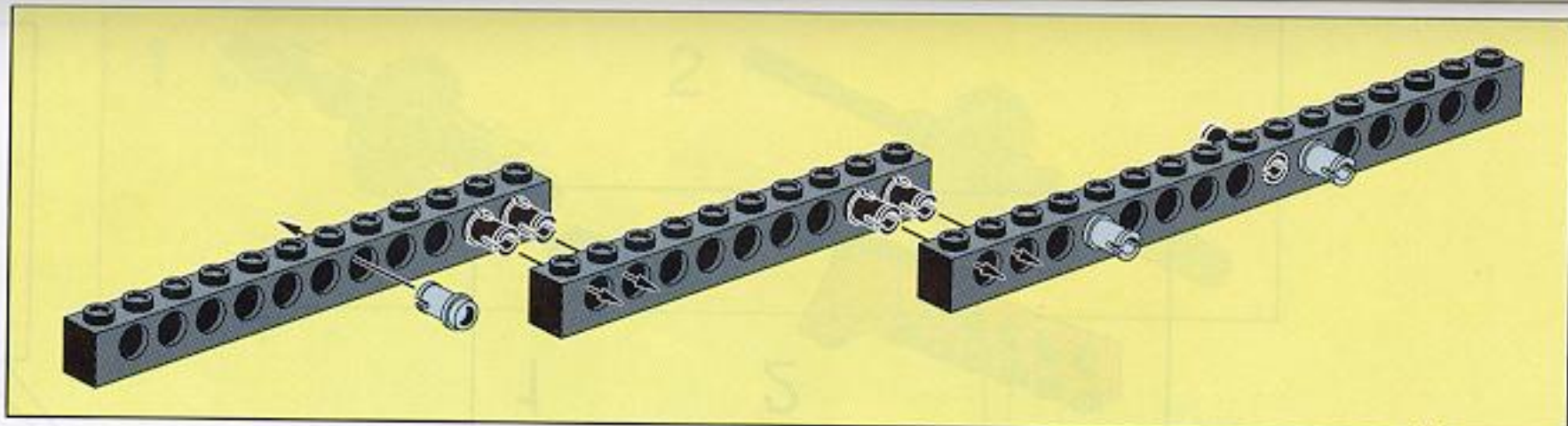
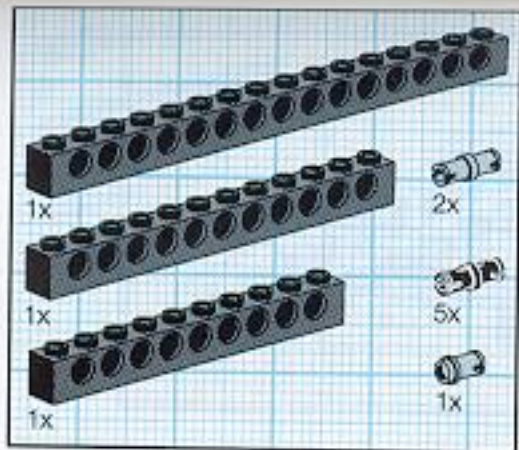


3

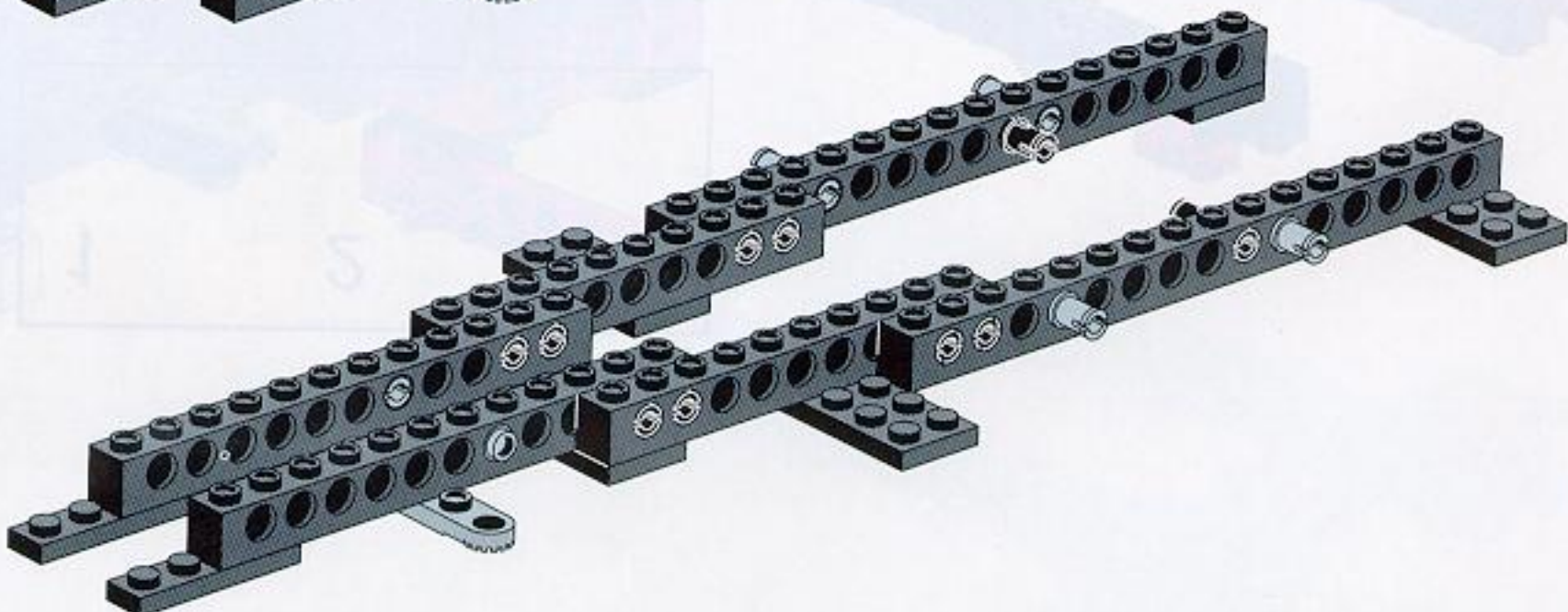
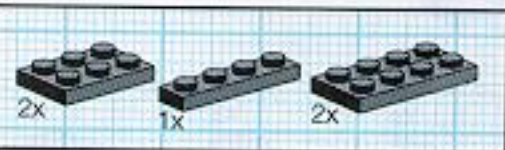




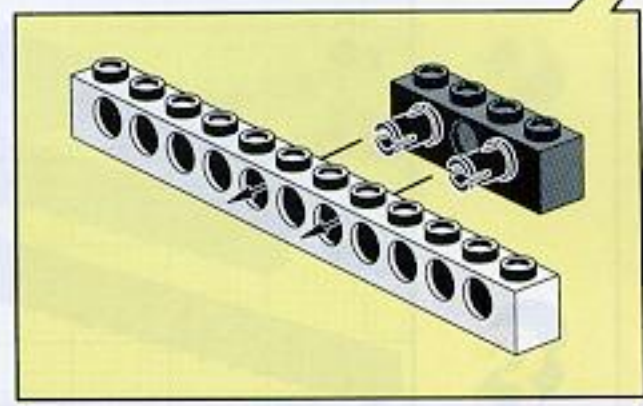
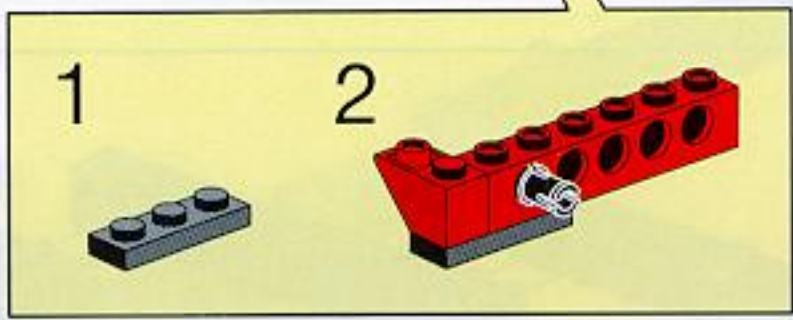
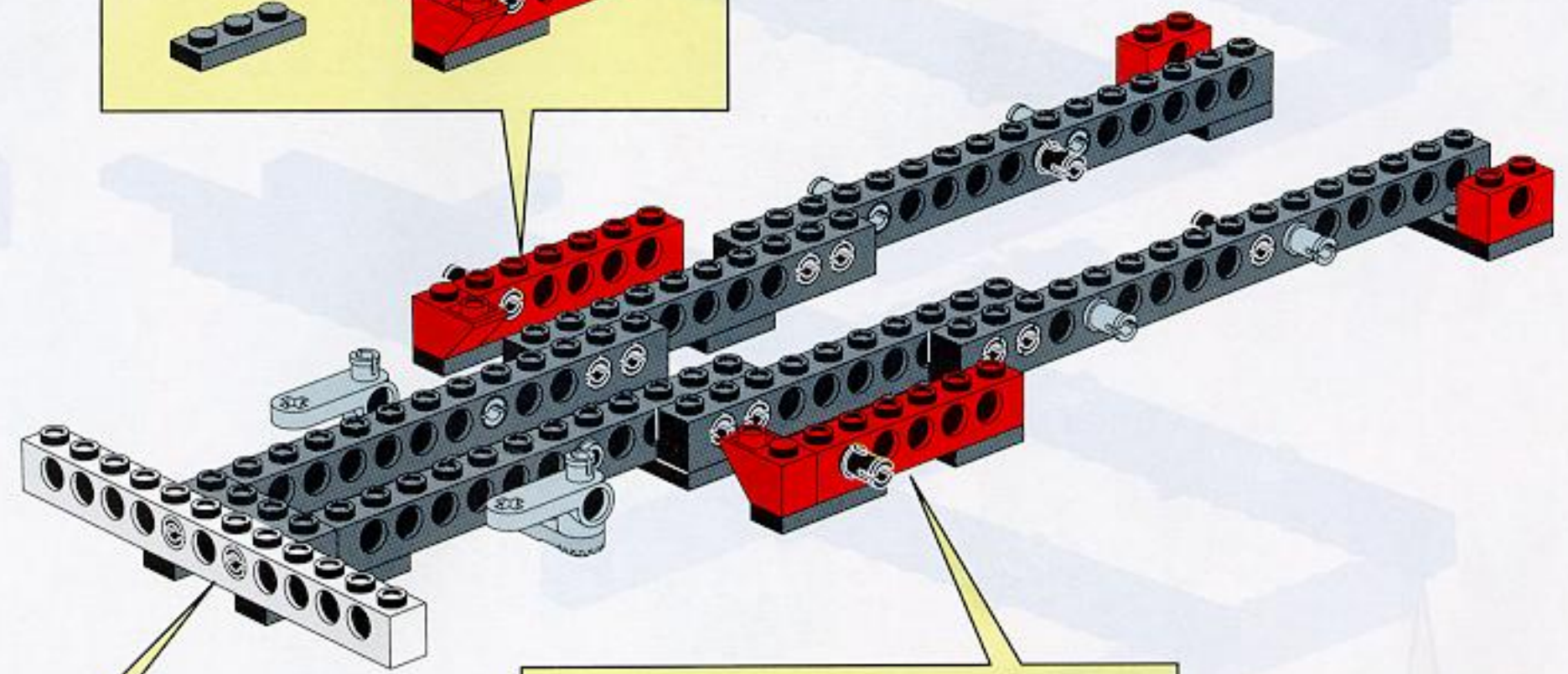
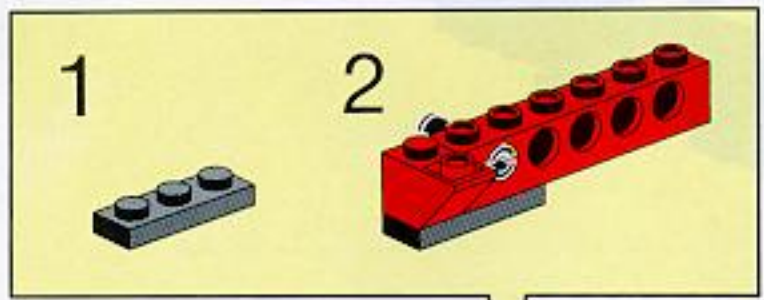
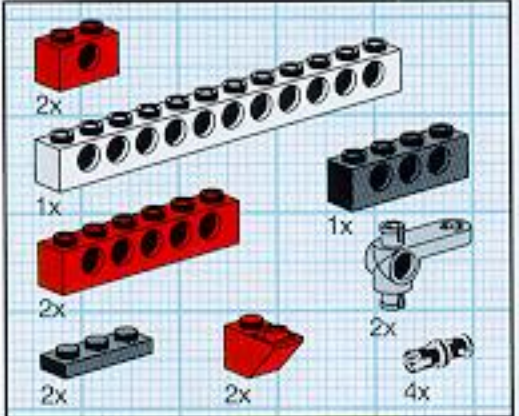
3



4



# 5



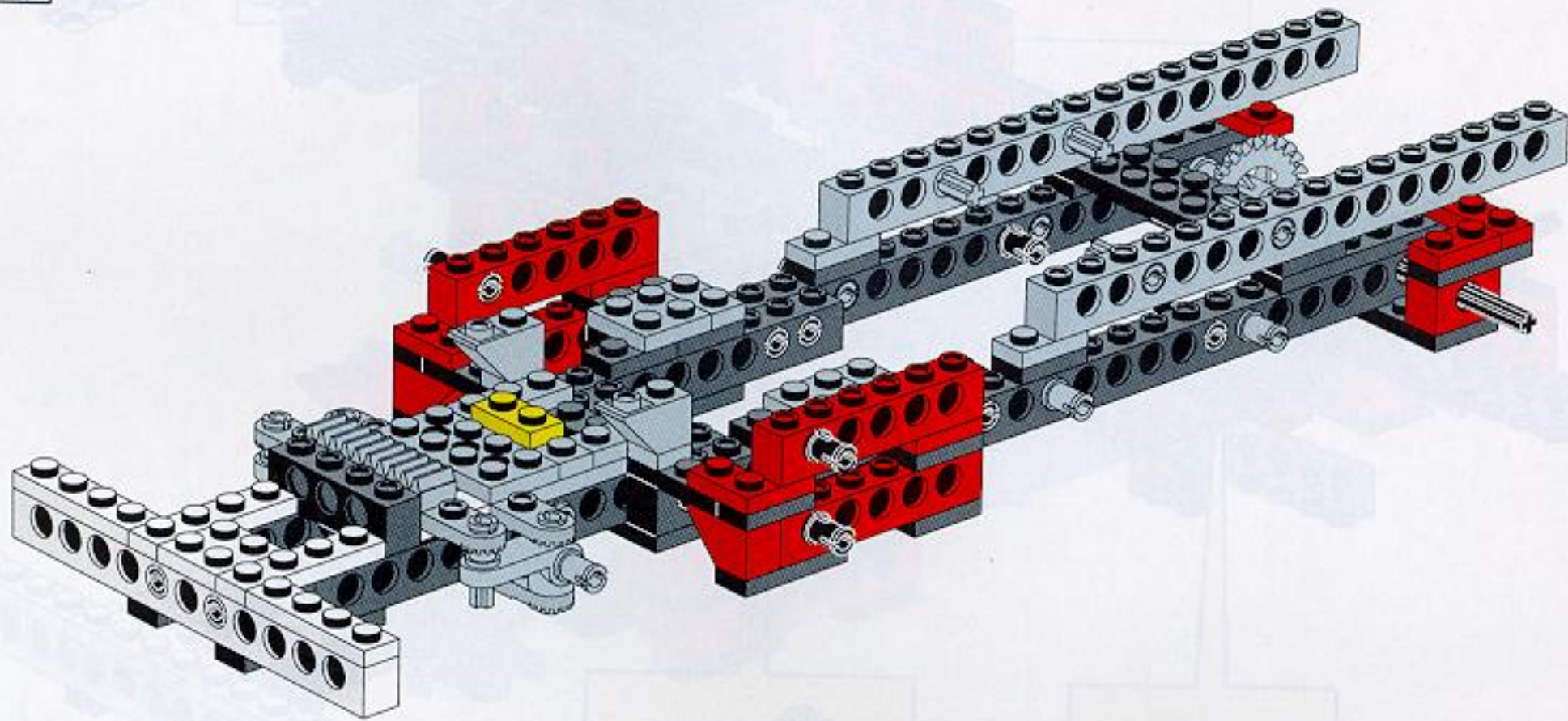
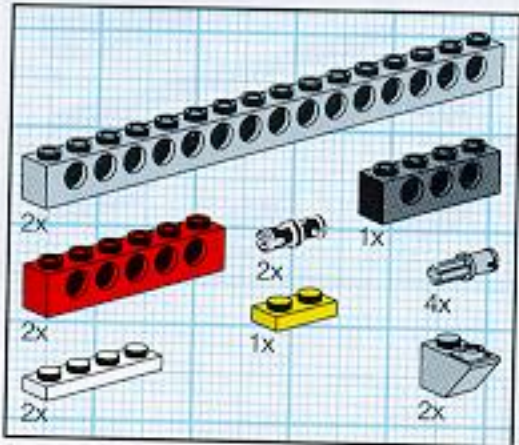
# 6







9



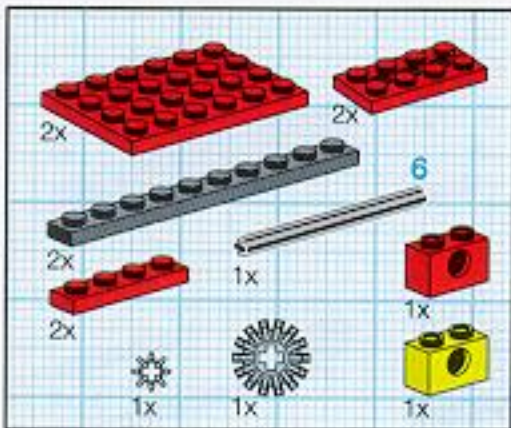
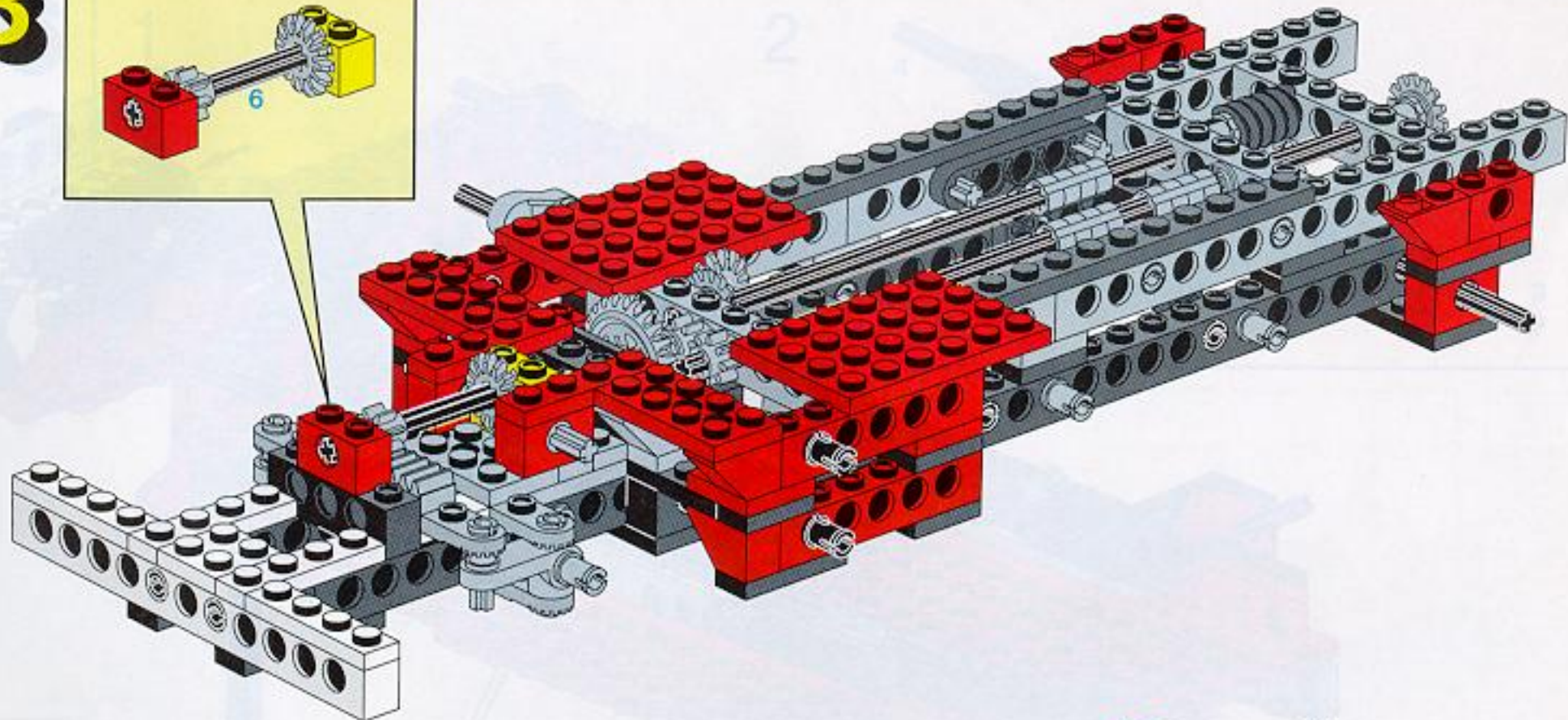
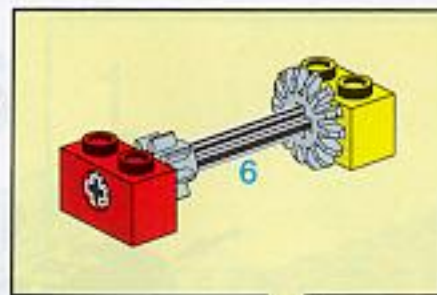




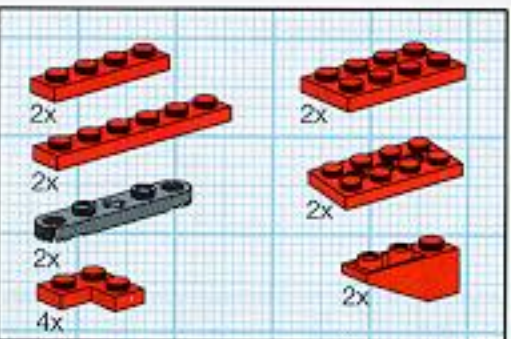
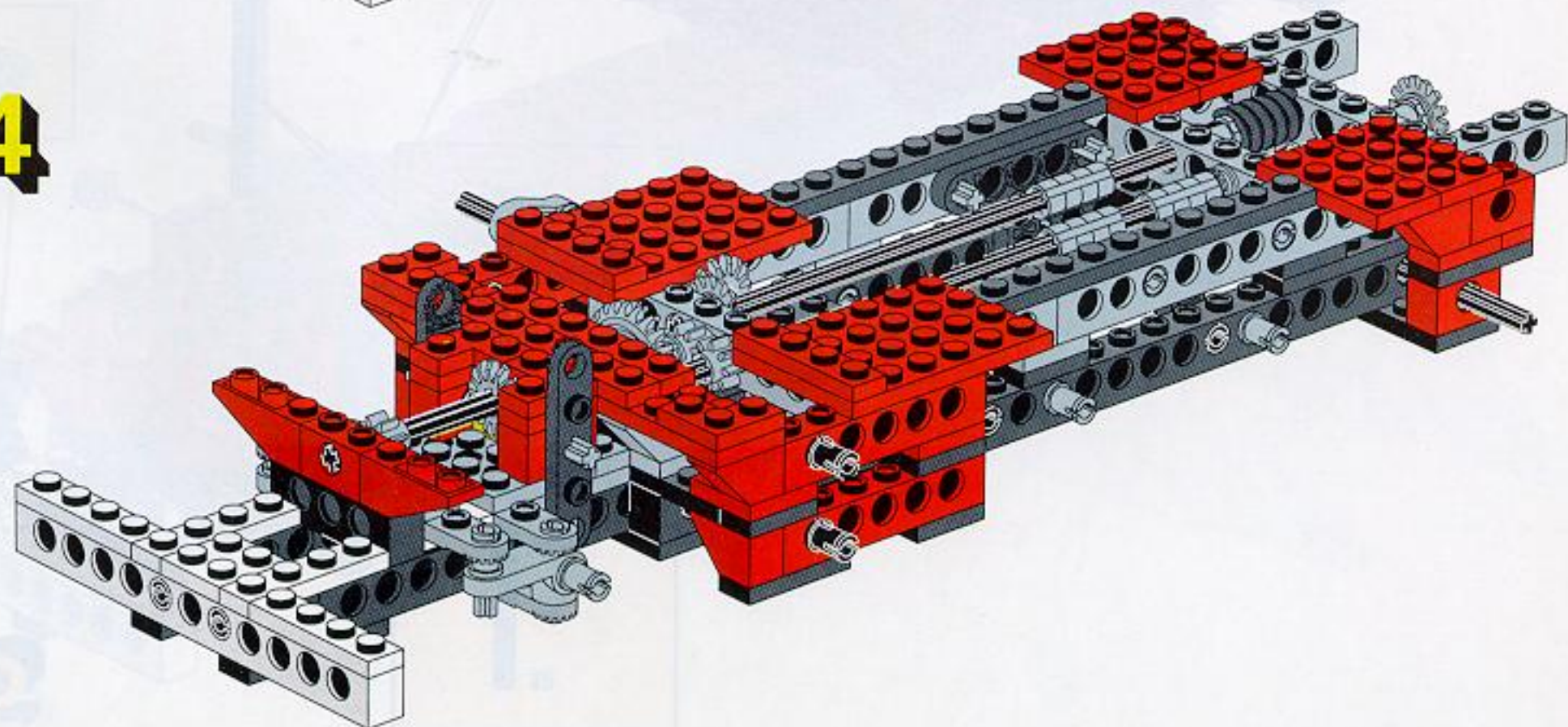




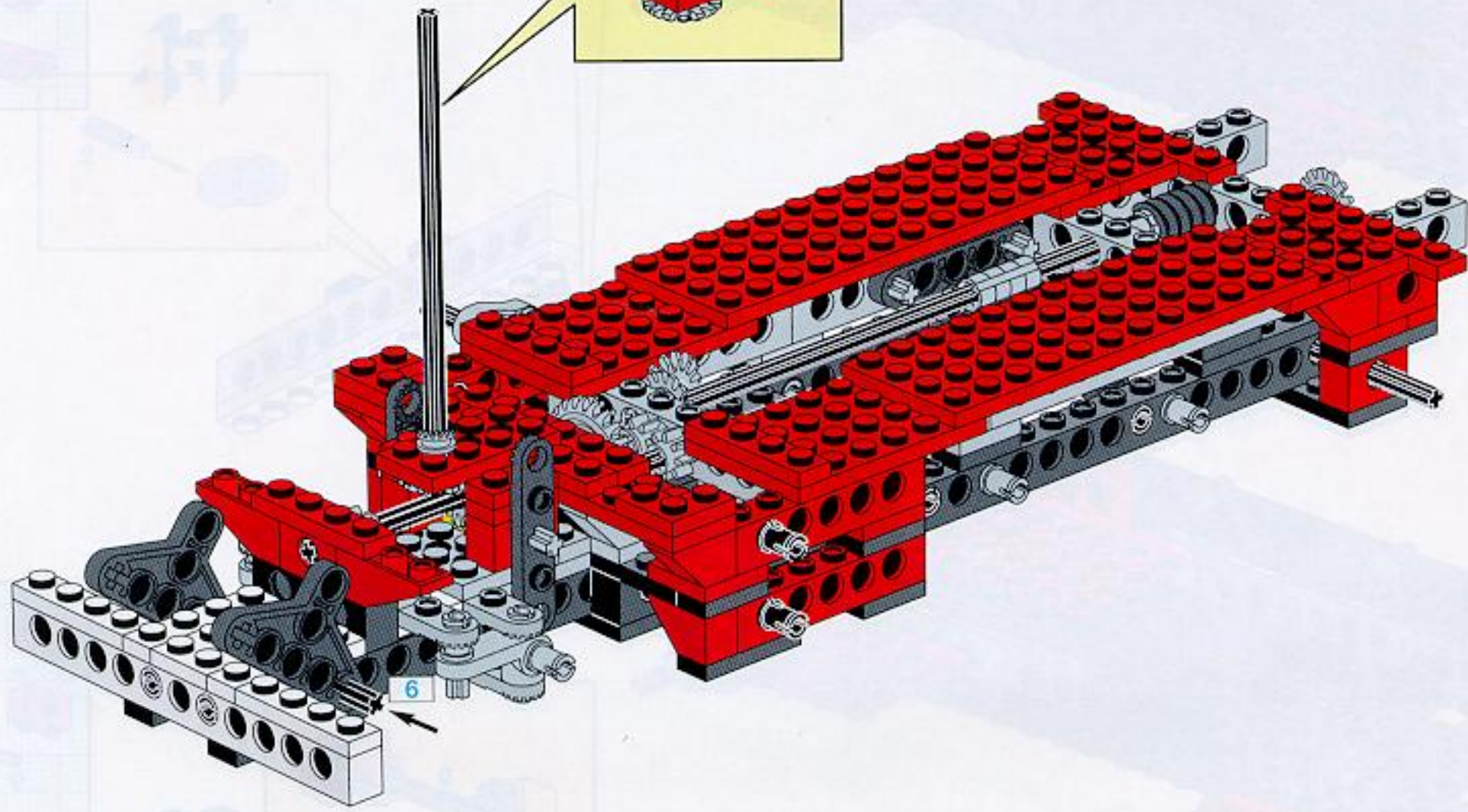
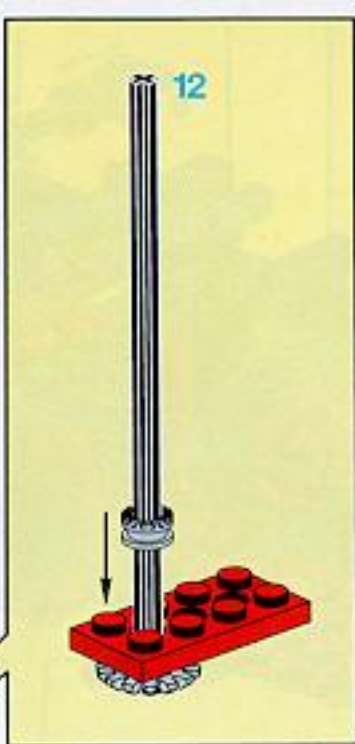
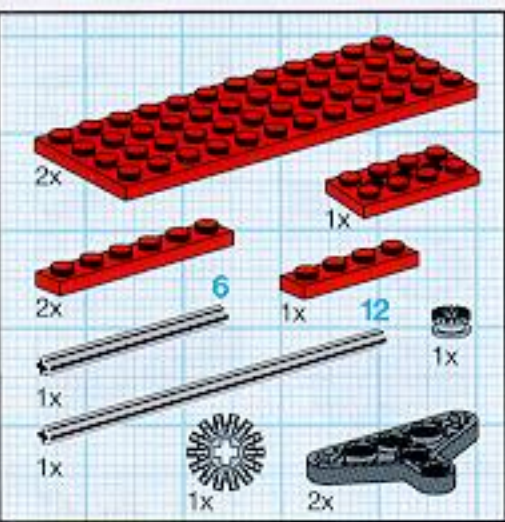
# 13



# 14



15

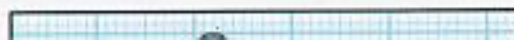
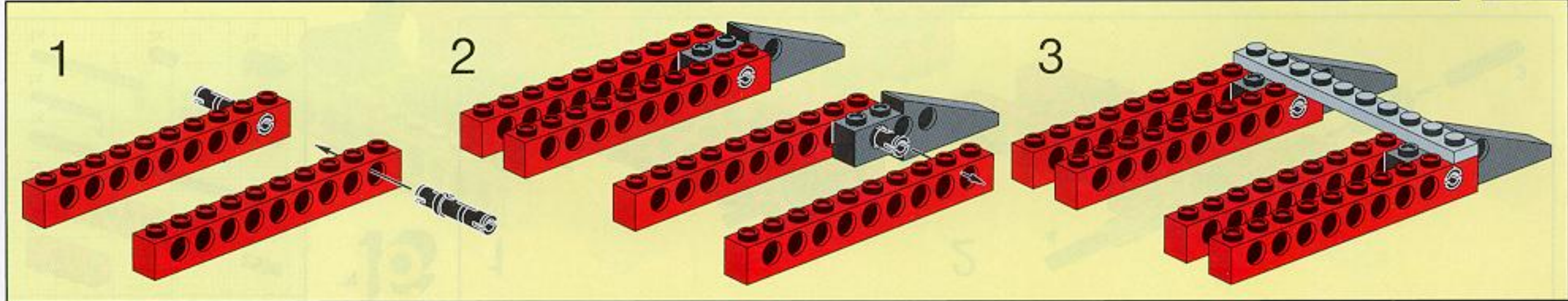
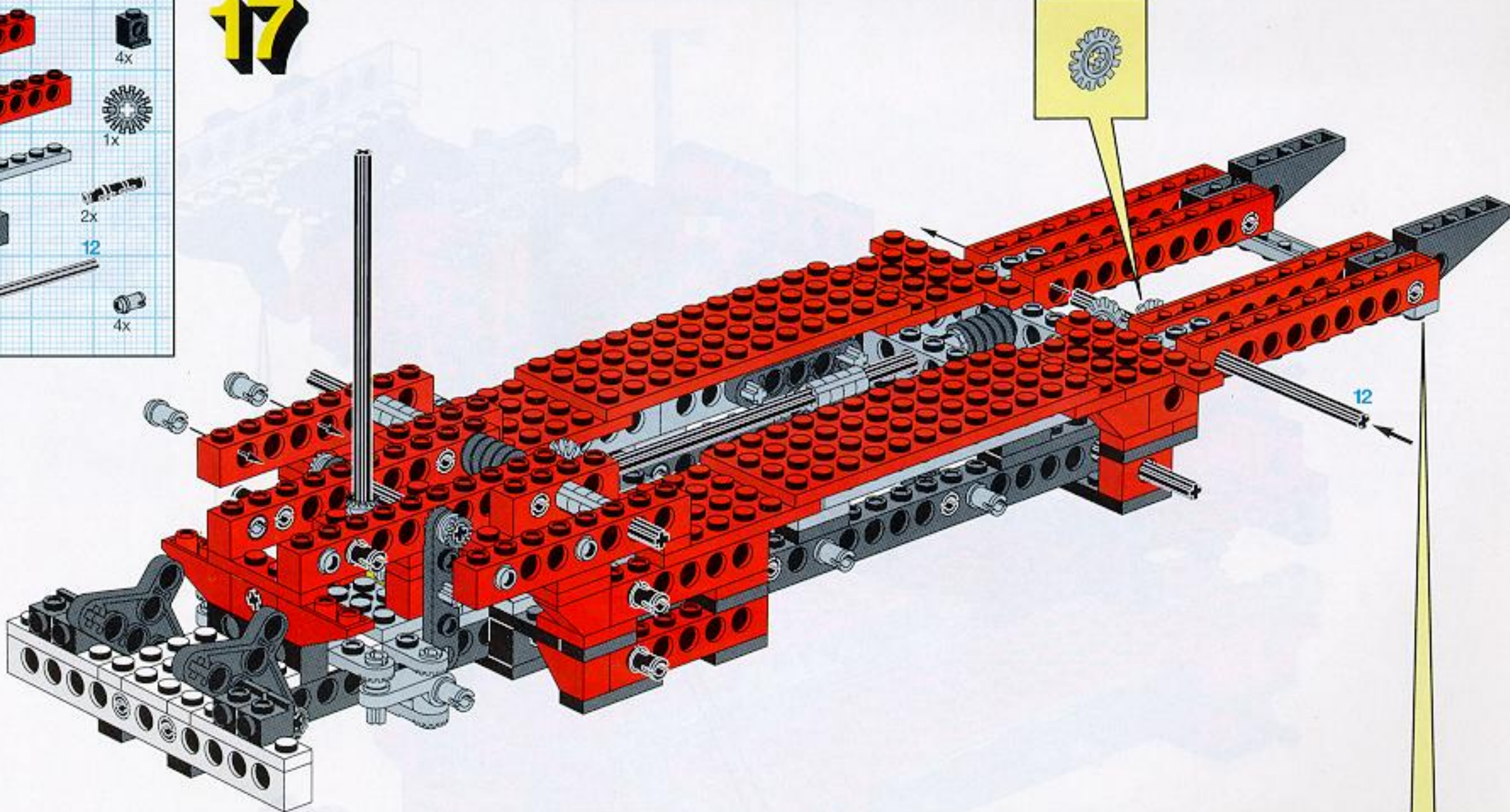


16



# 17

- 2x
- 4x
- 1x
- 1x
- 2x
- 1x
- 4x
- 1x
- 2x
- 4x

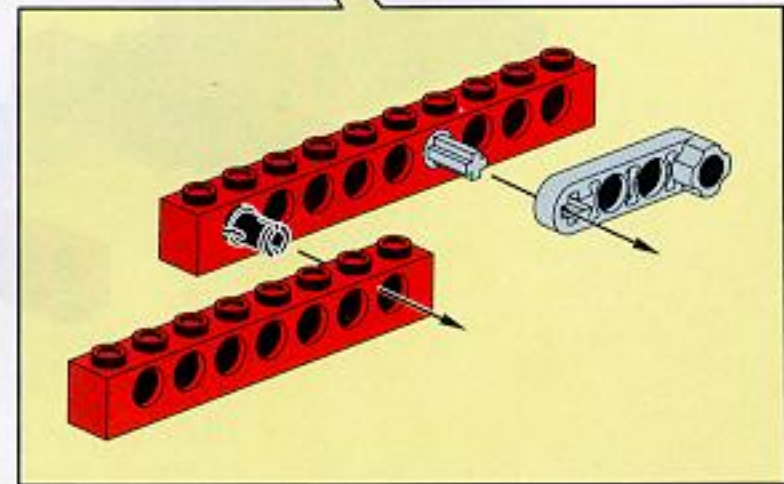
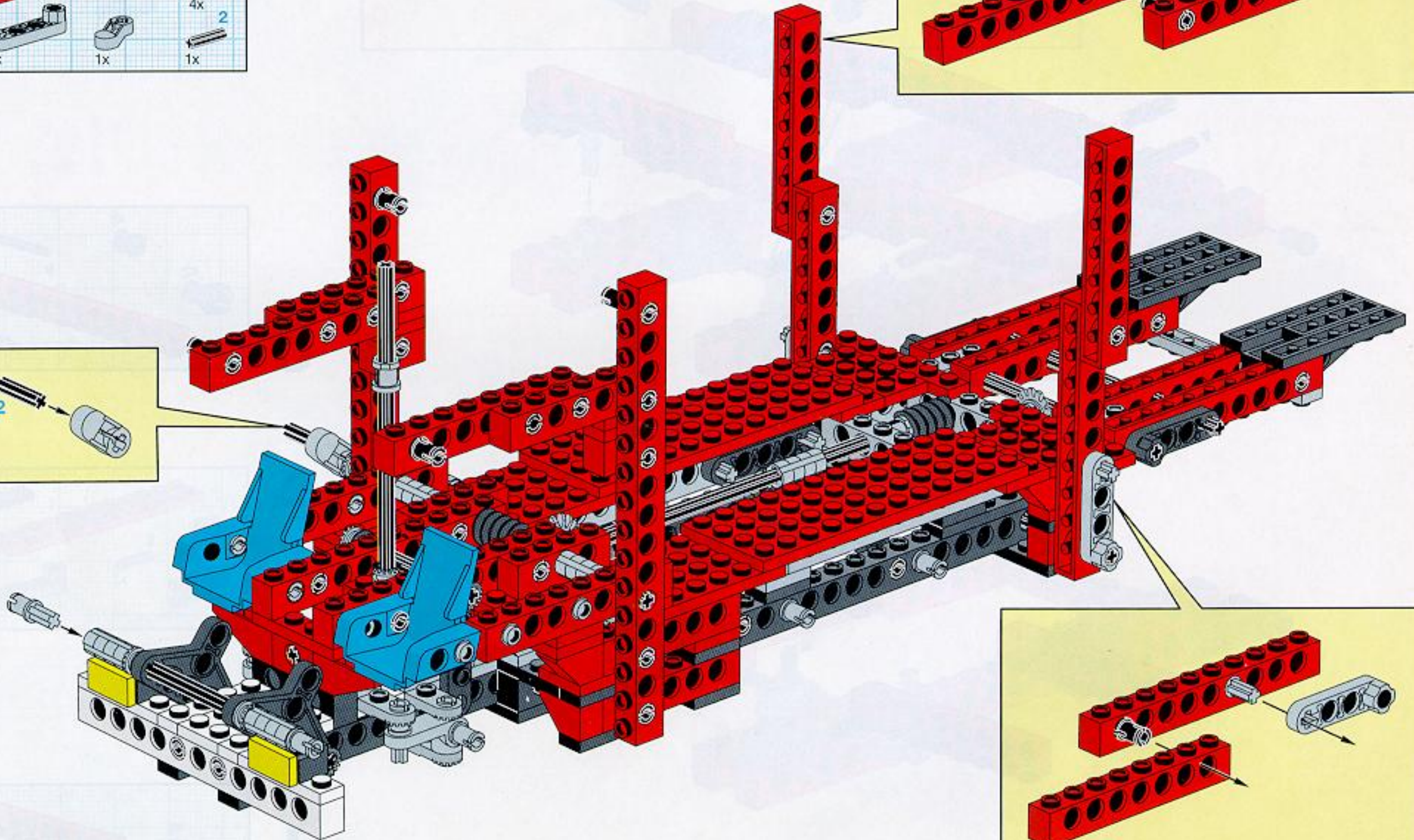
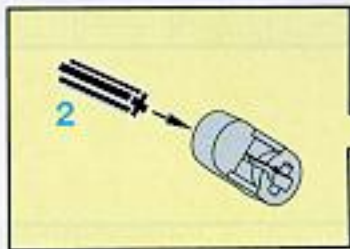
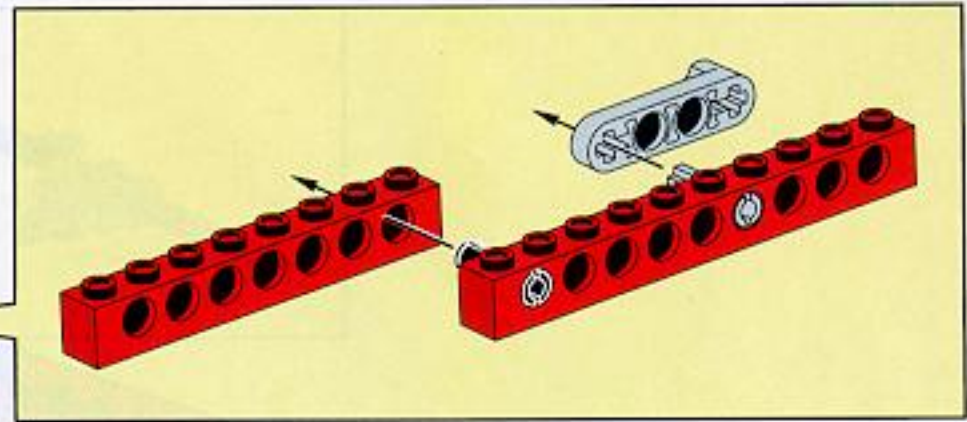
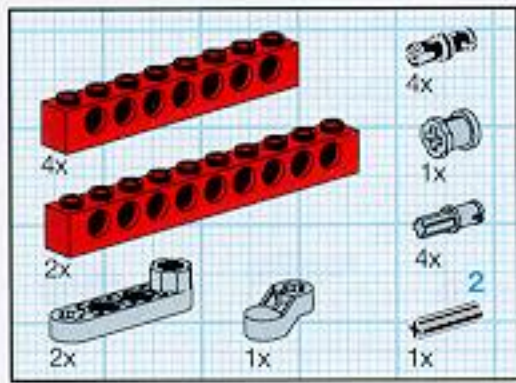


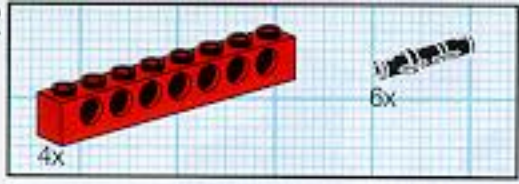
# 18



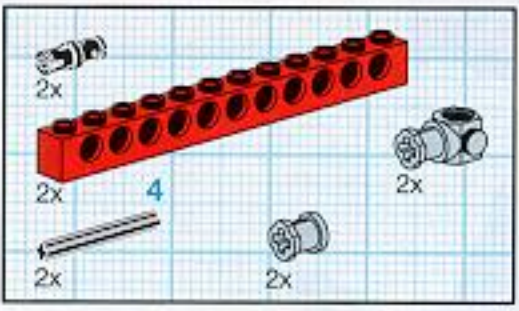
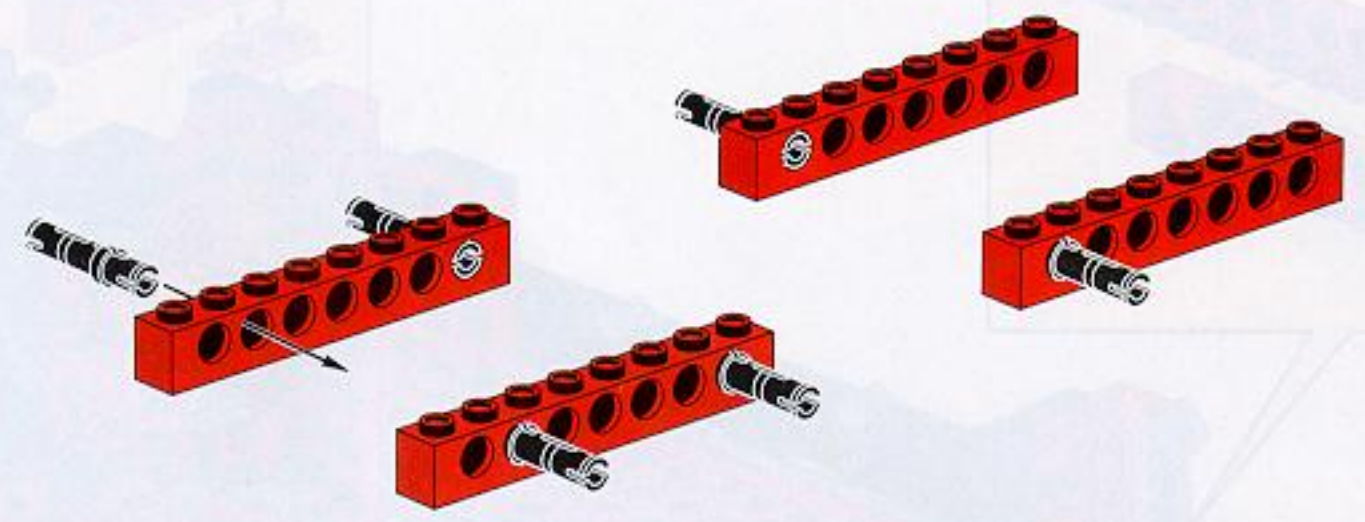


# 20

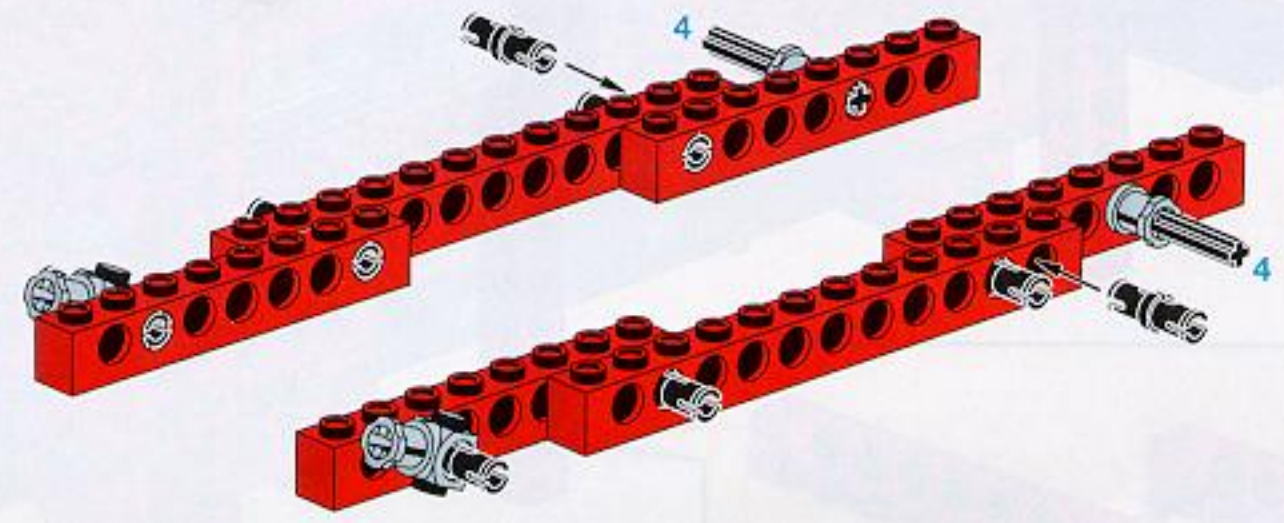




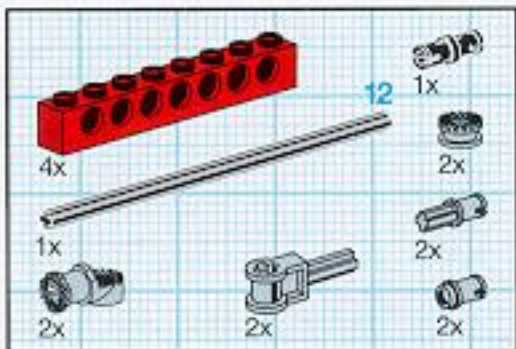
# 1



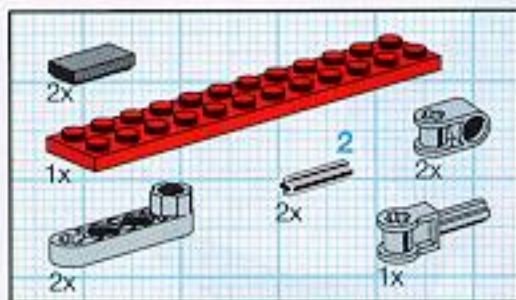
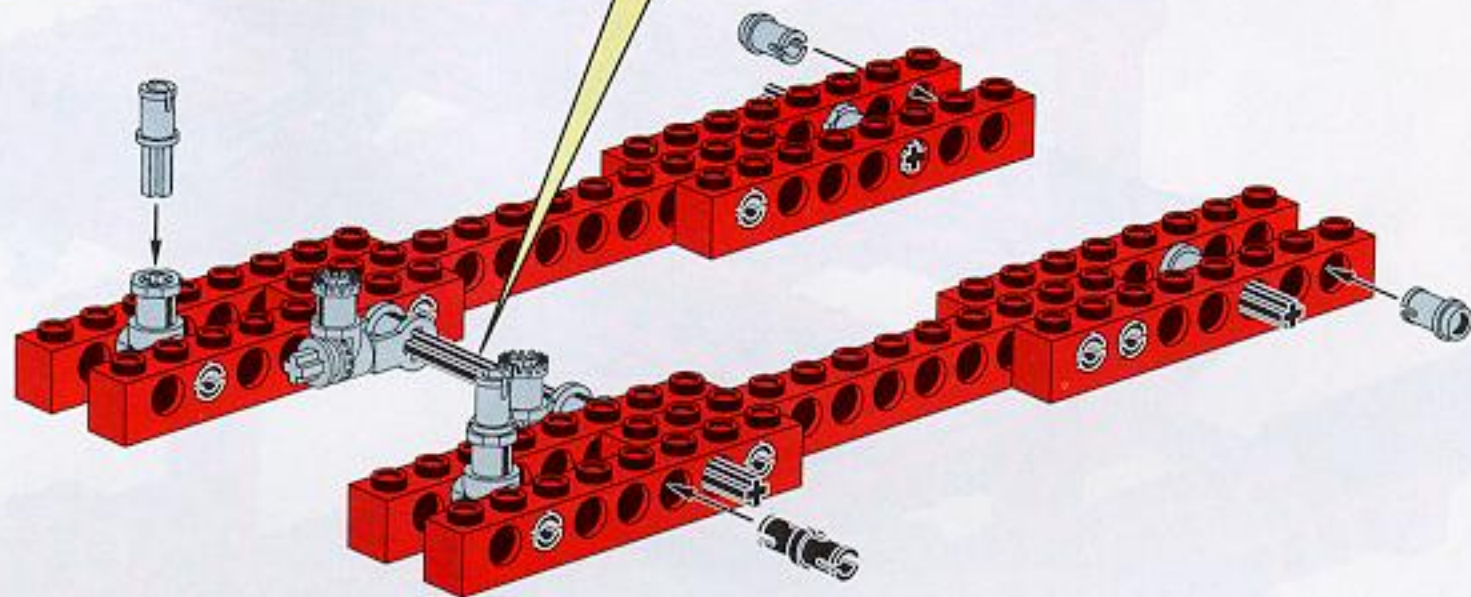
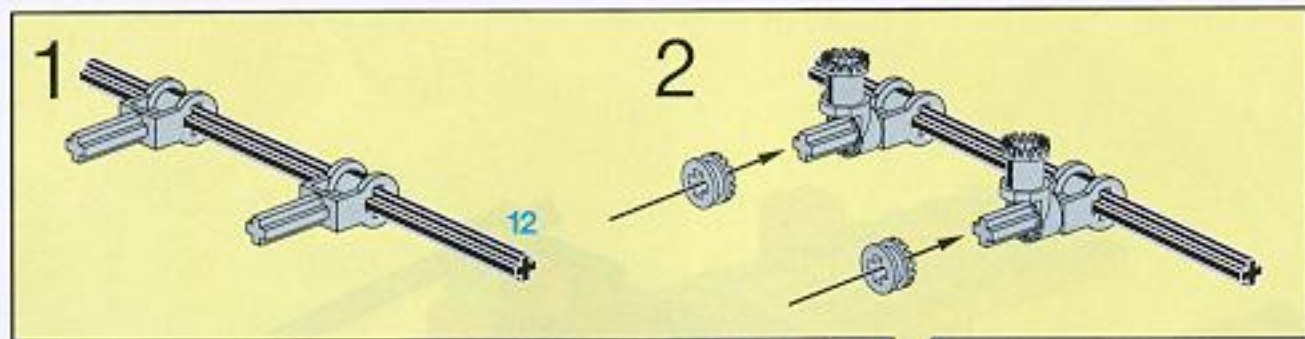
# 2



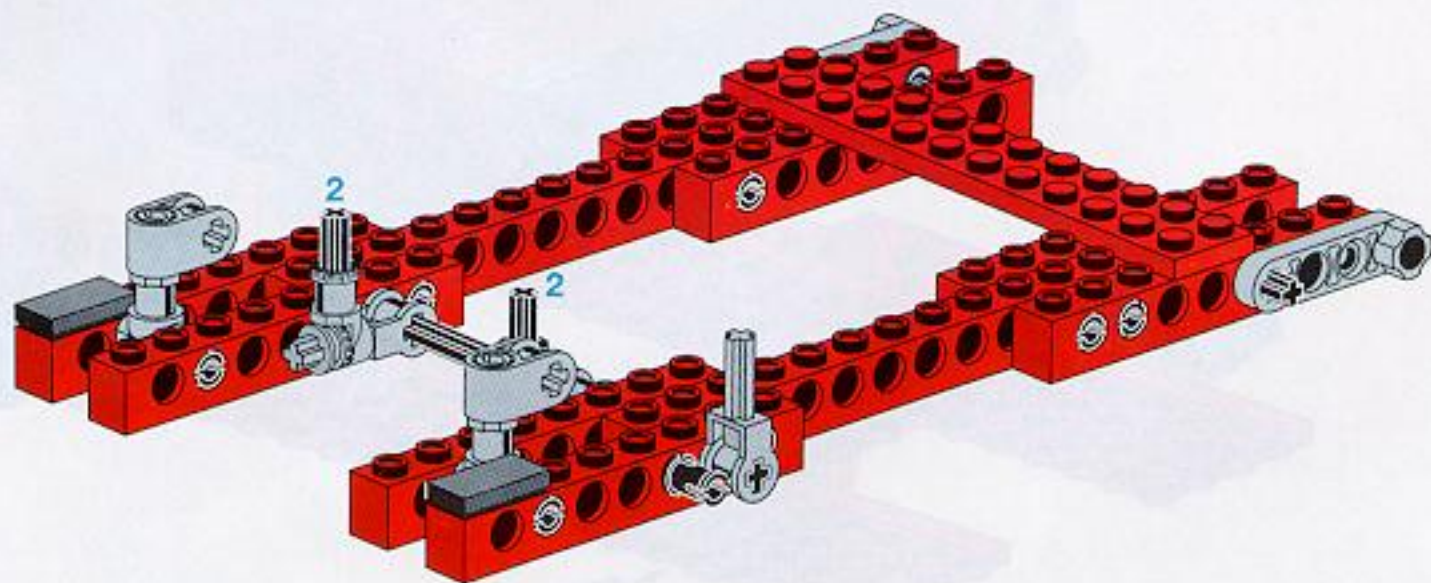




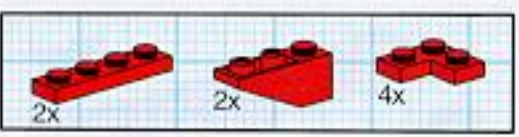
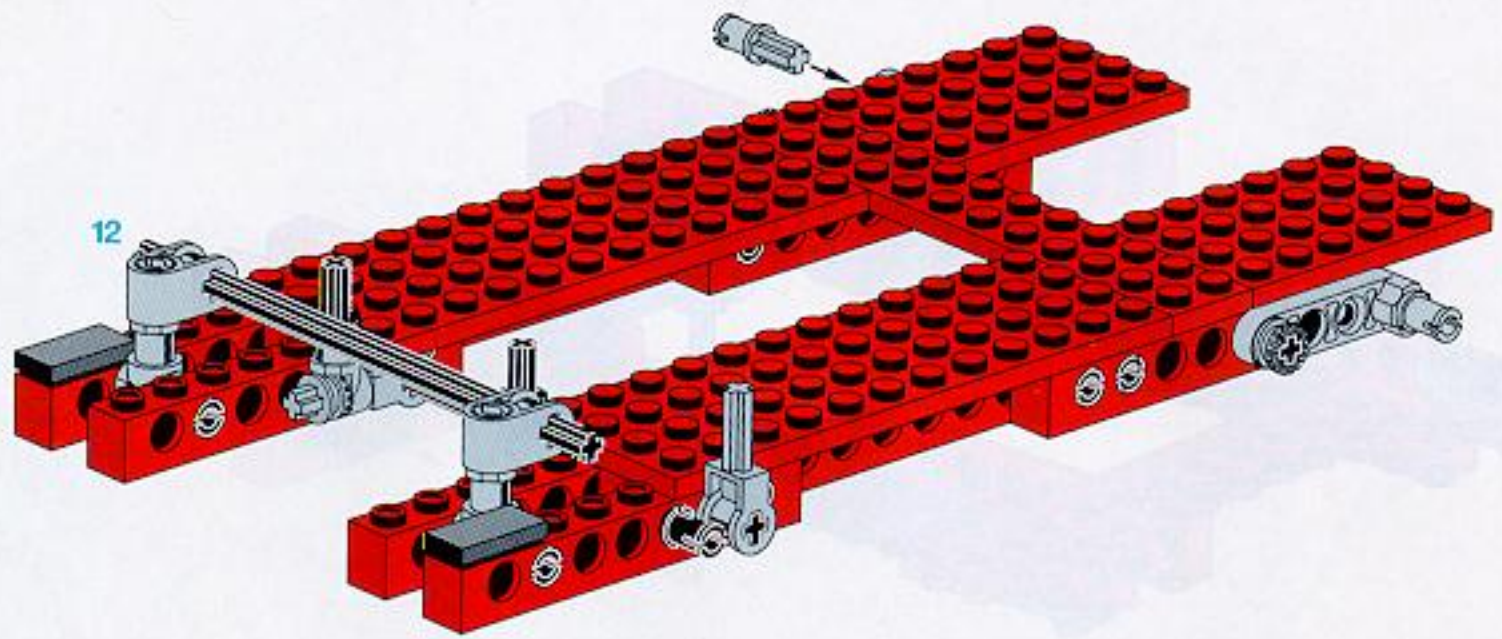
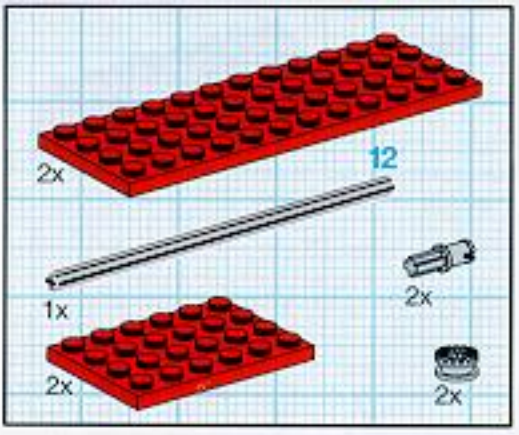
3



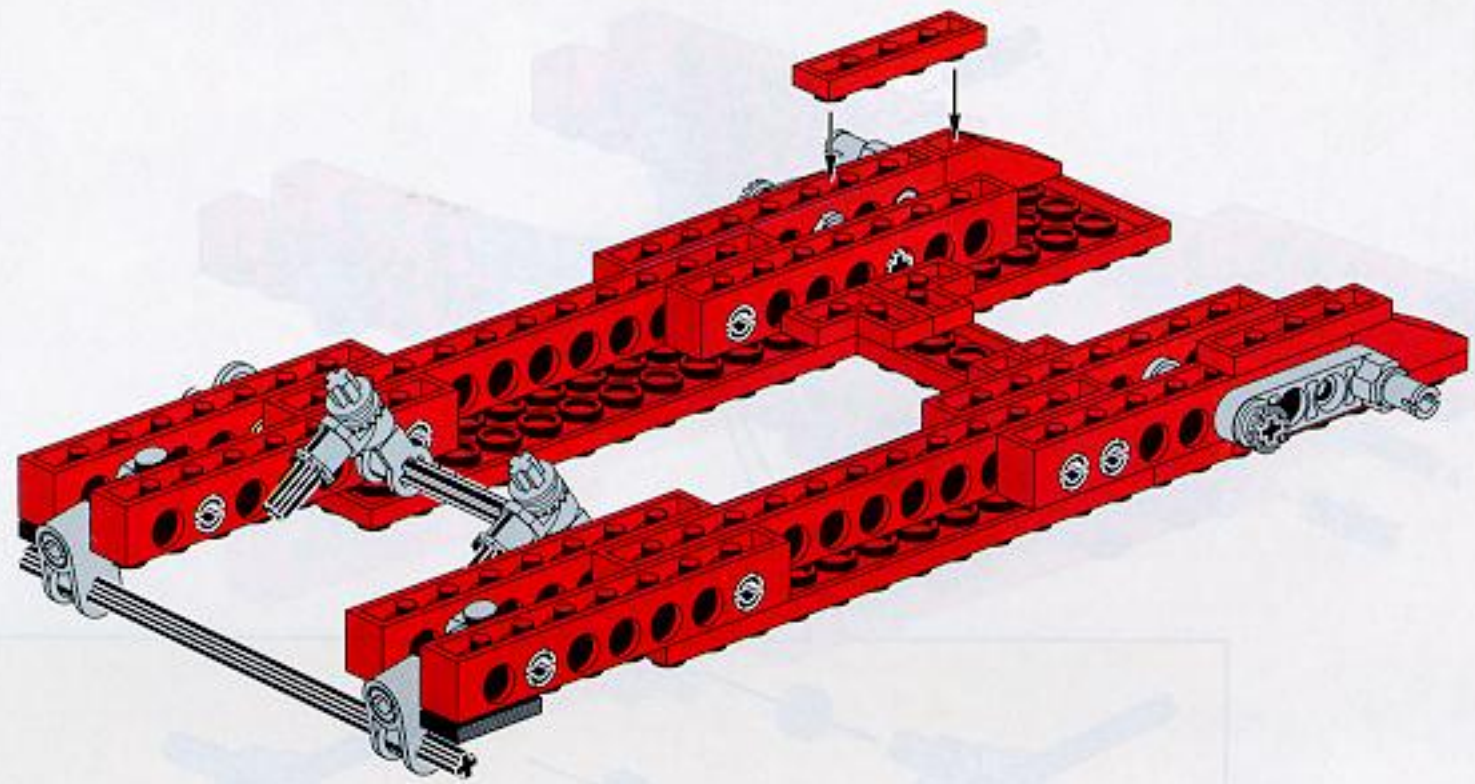
4



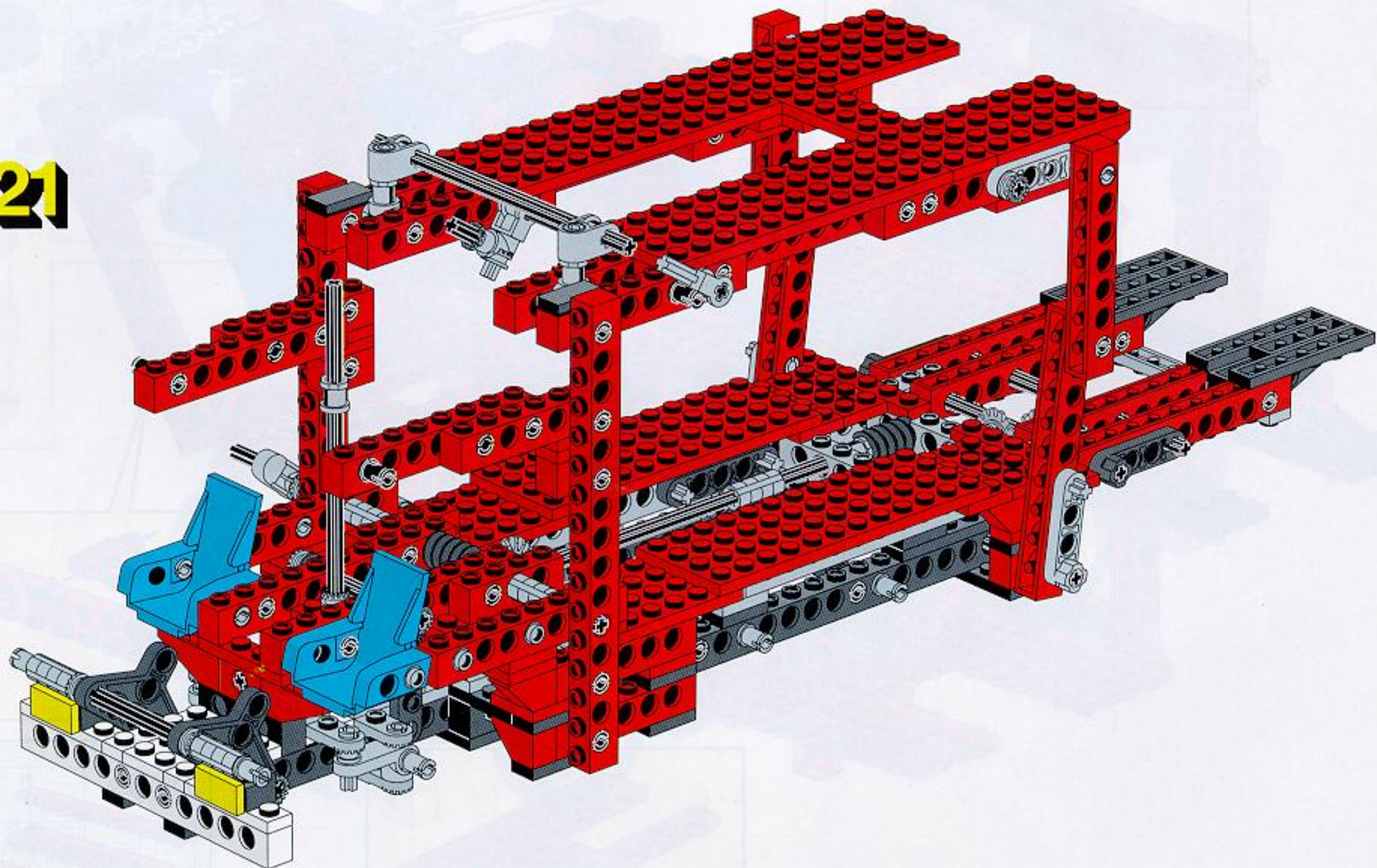
# 5



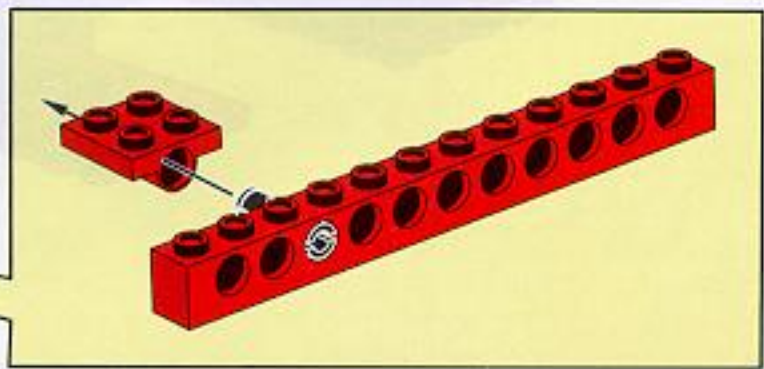
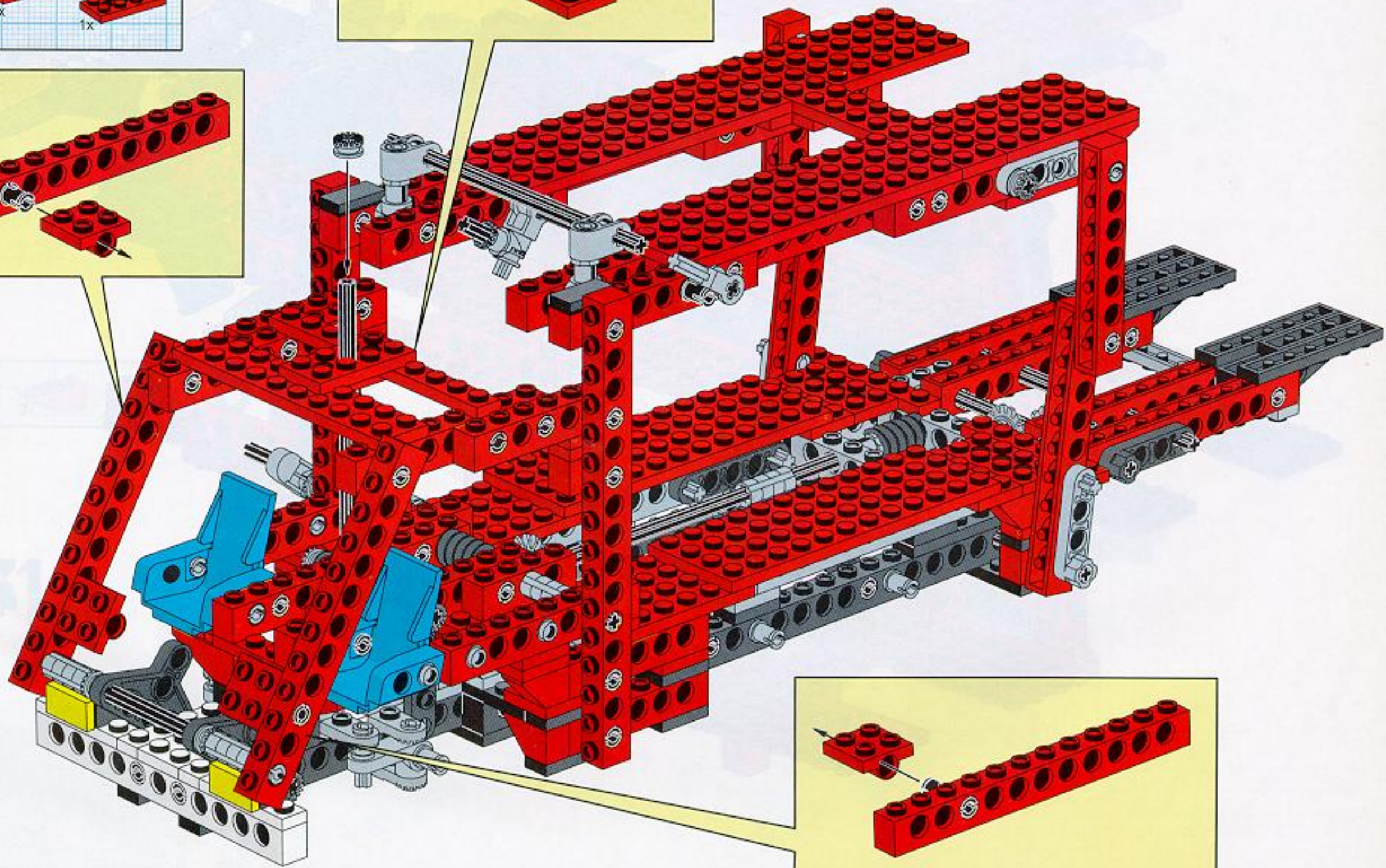
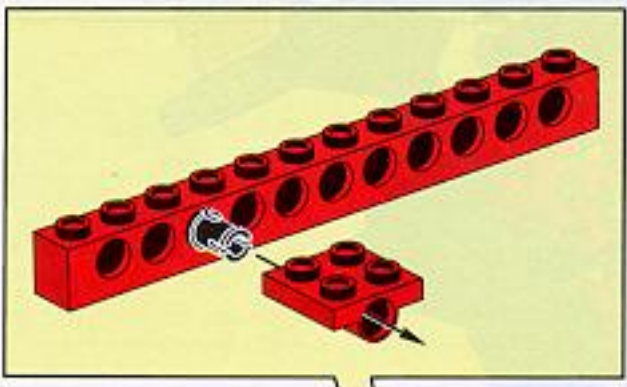
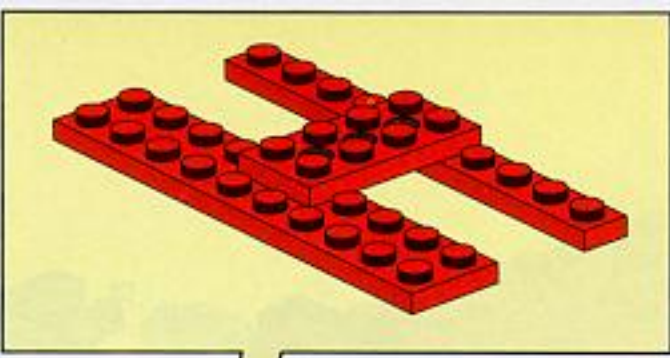
# 6



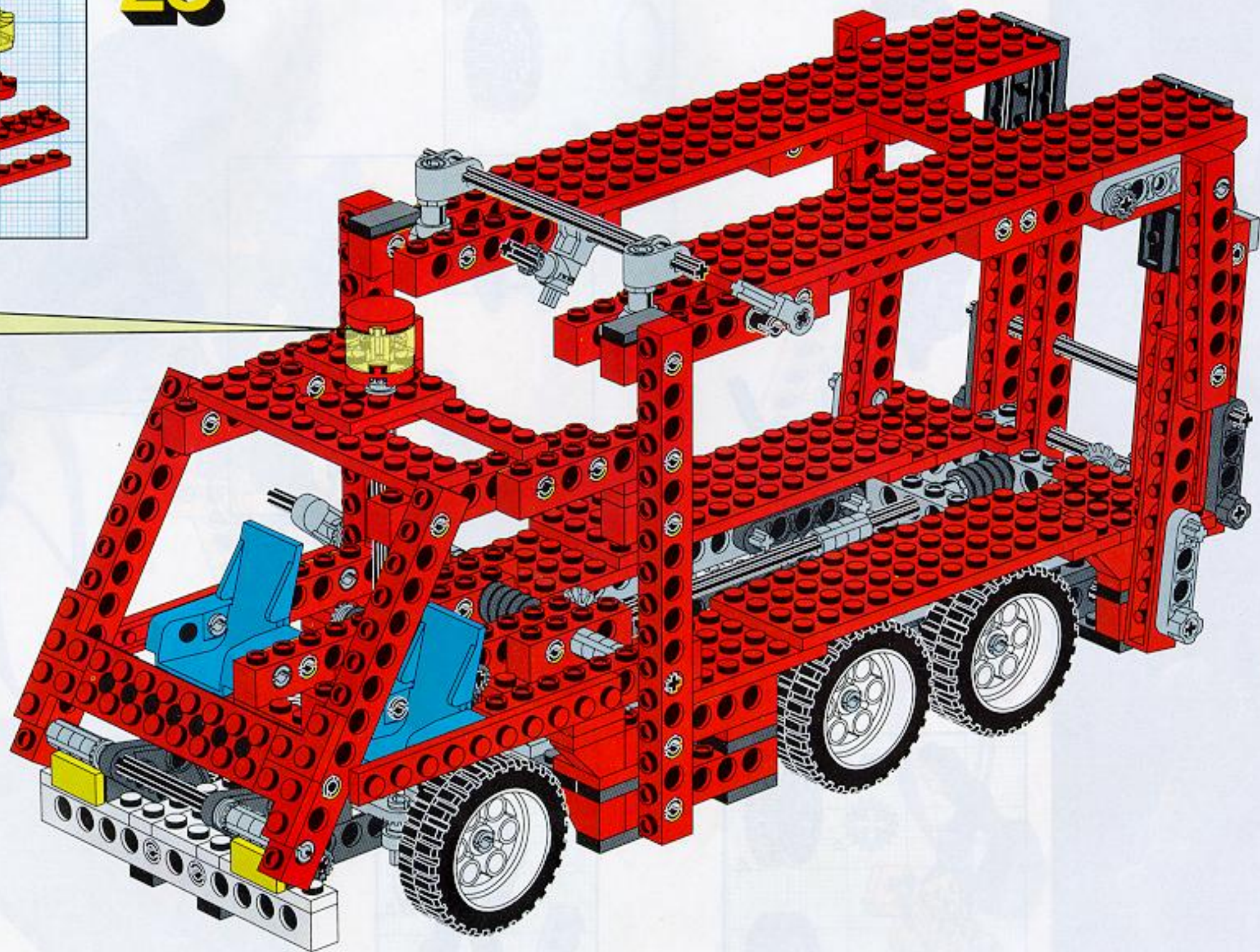
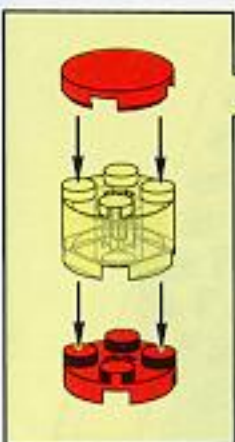
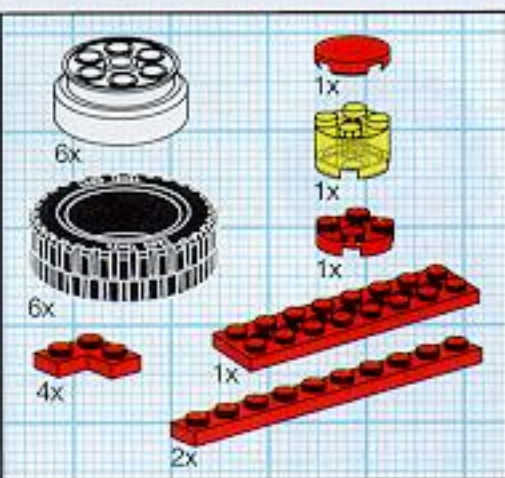
21



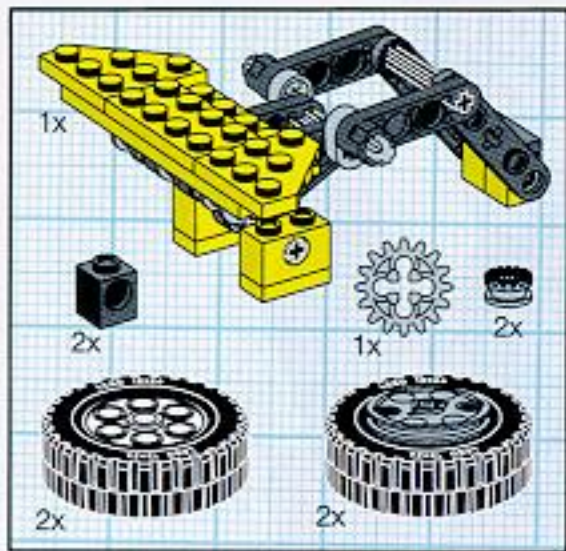
- 2x
- 2x
- 1x
- 1x
- 1x
- 2x



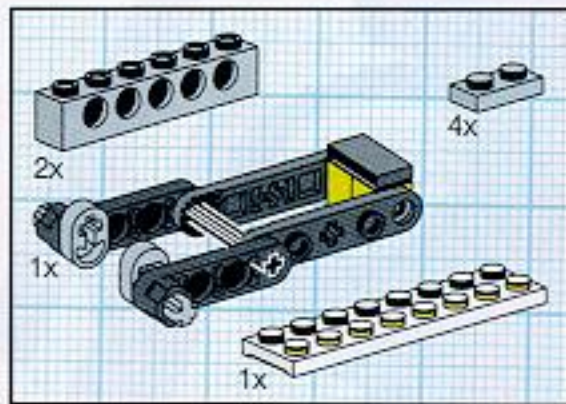
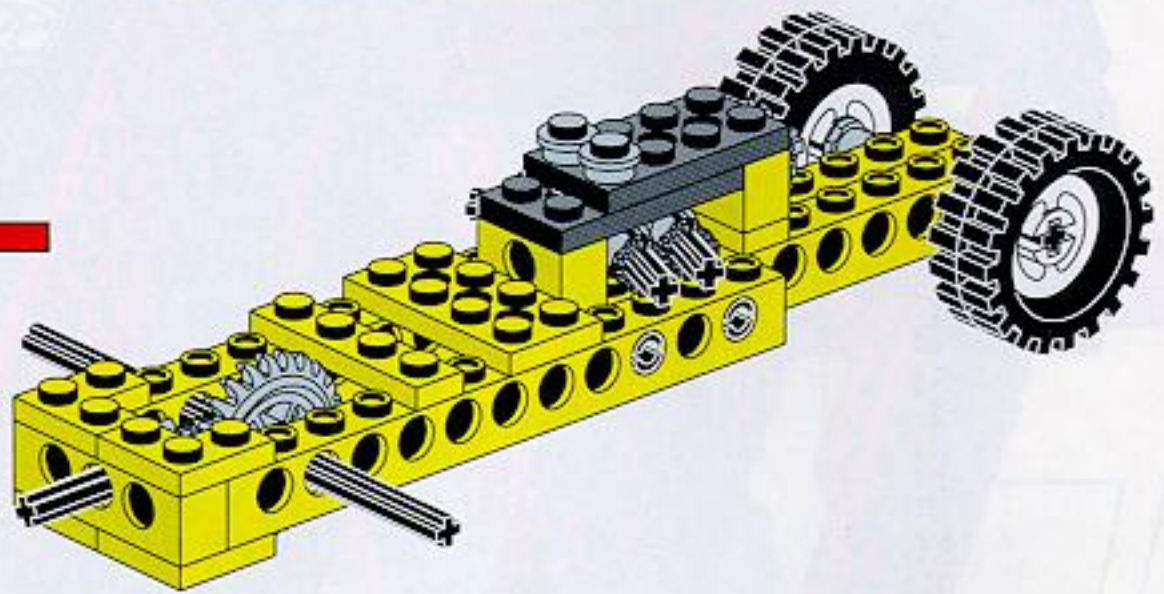
# 23



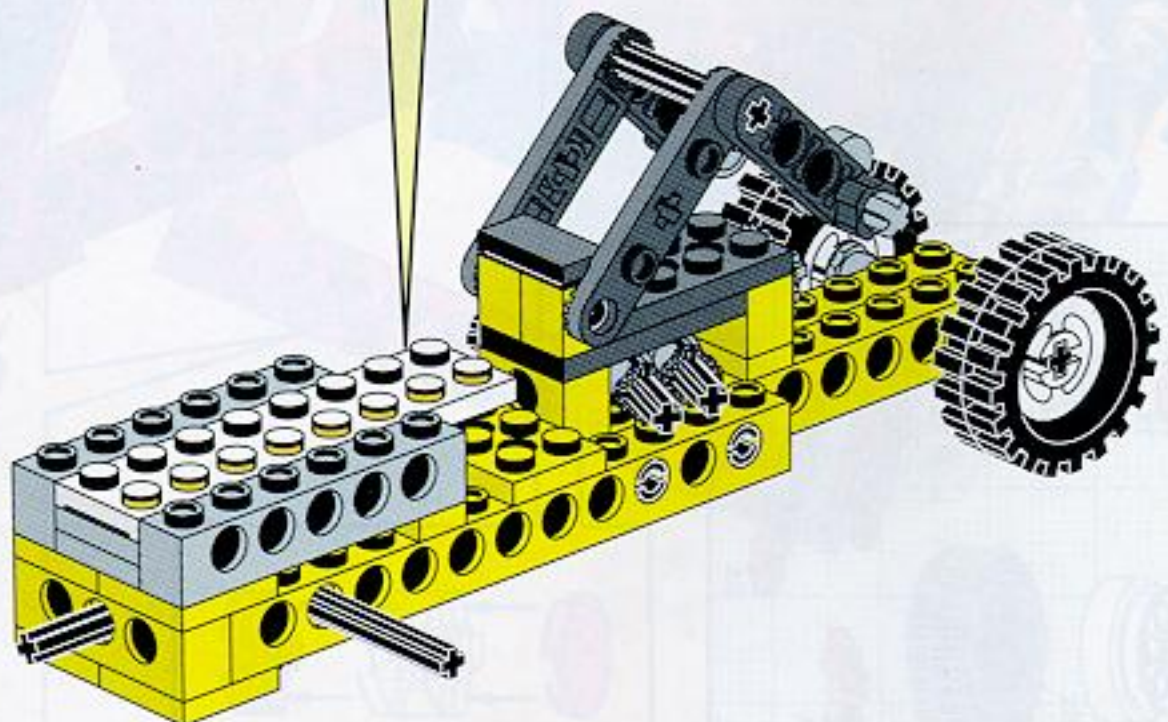
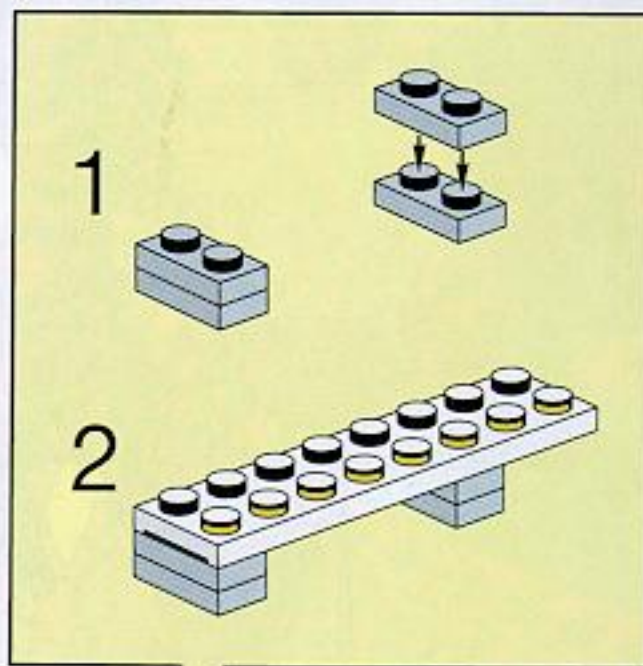
8872+8720

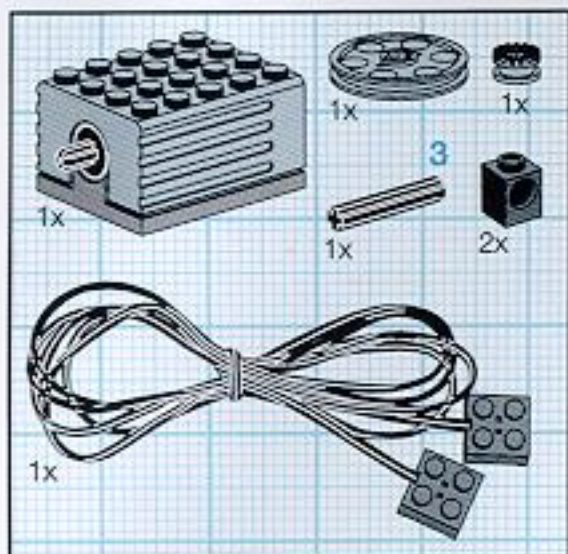


1

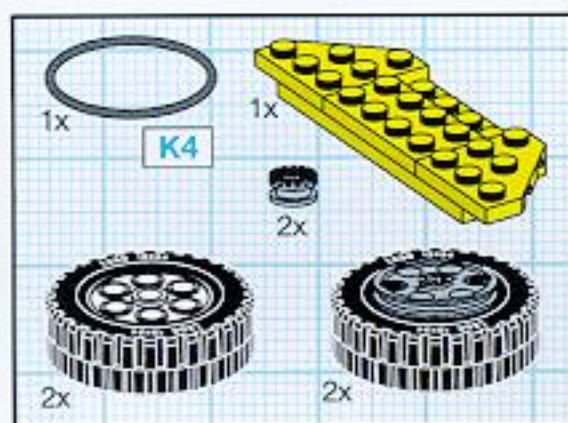
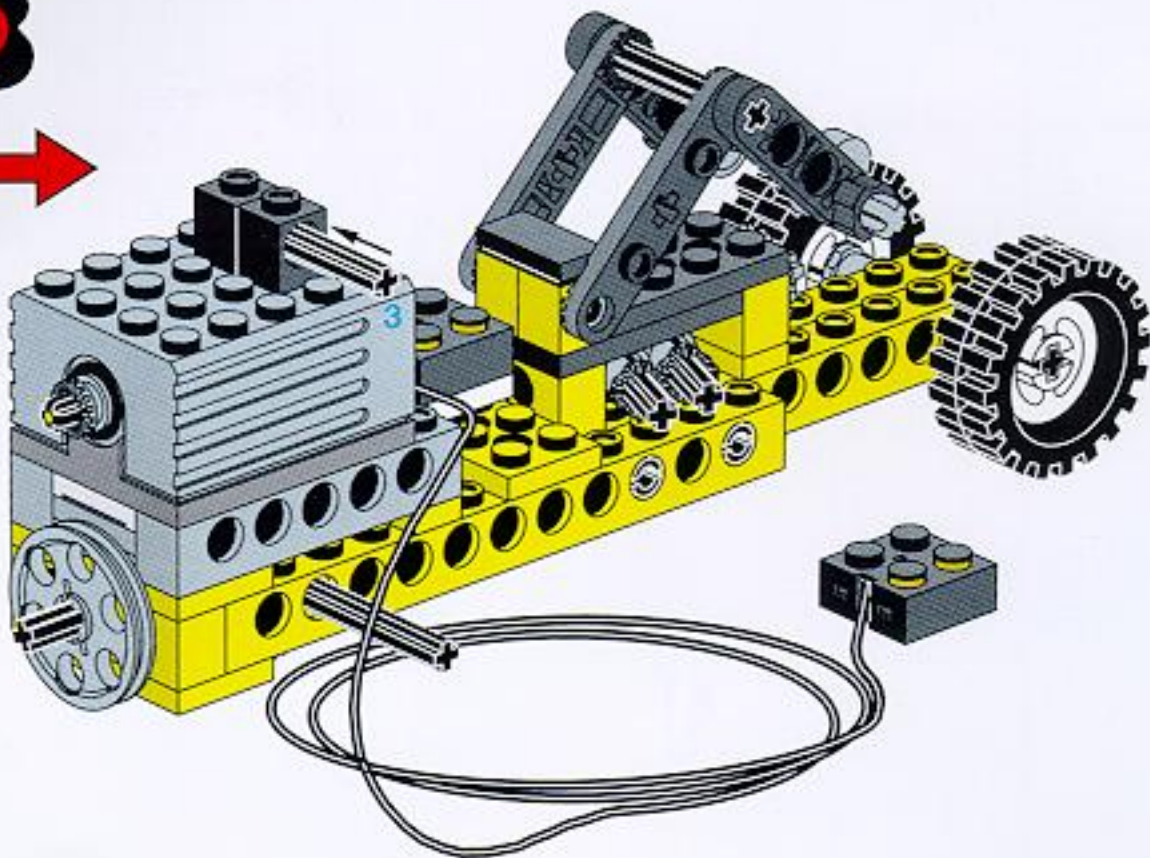


2





**3**



**4**

