

3429



SPORTS



4195742



3427



3429



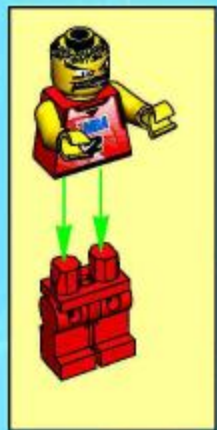
3430



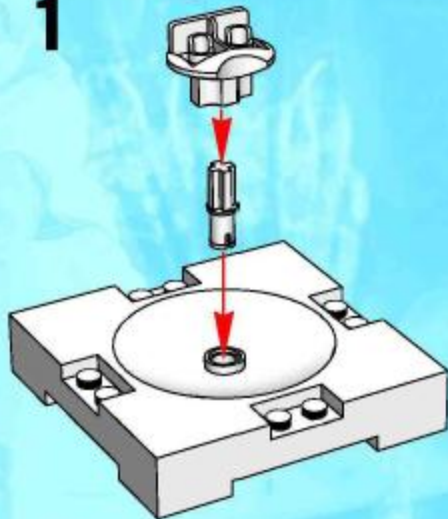
3431



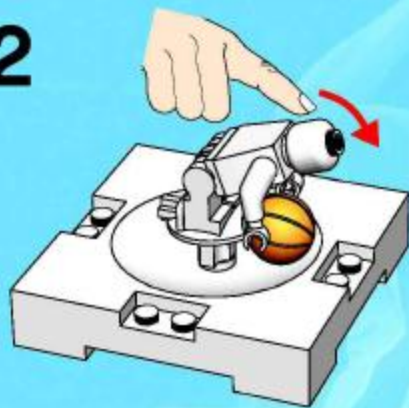




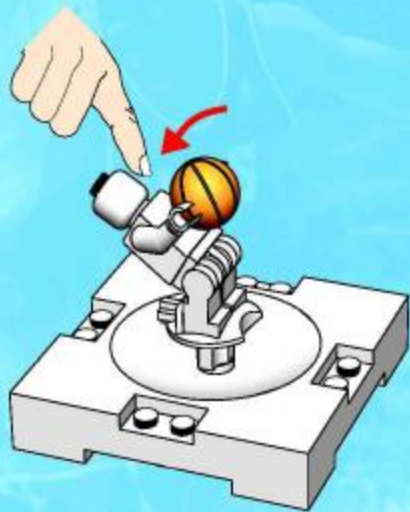
1



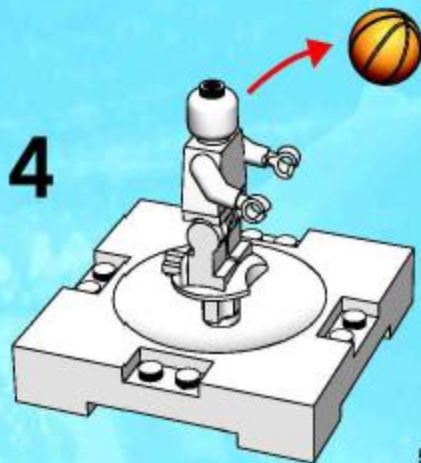
2

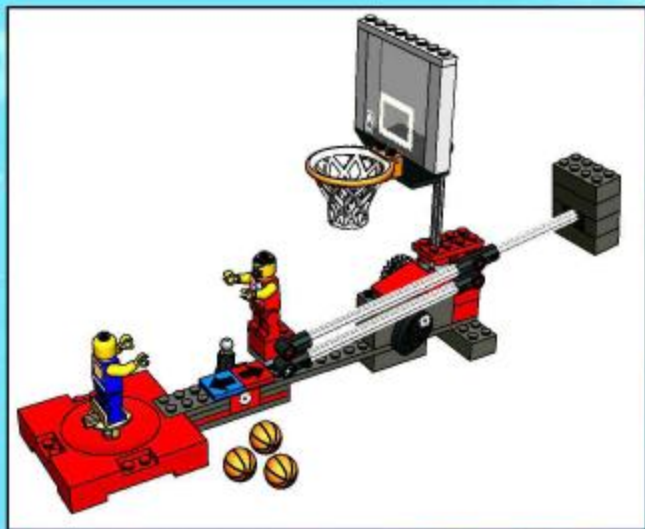


3

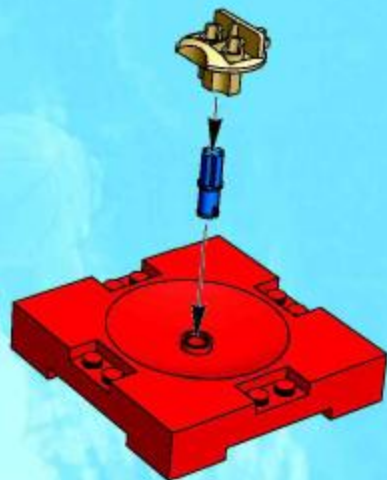


4





1



2



3



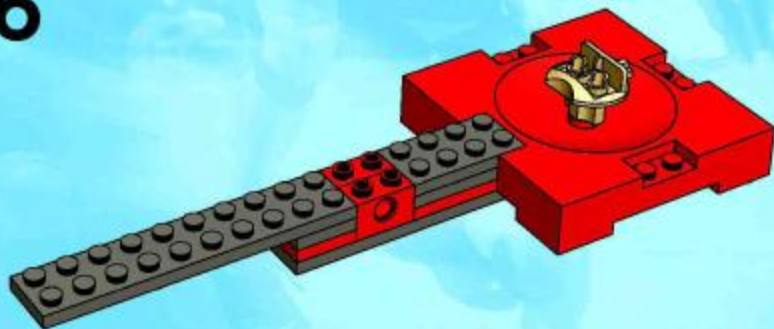
4



5



6





1



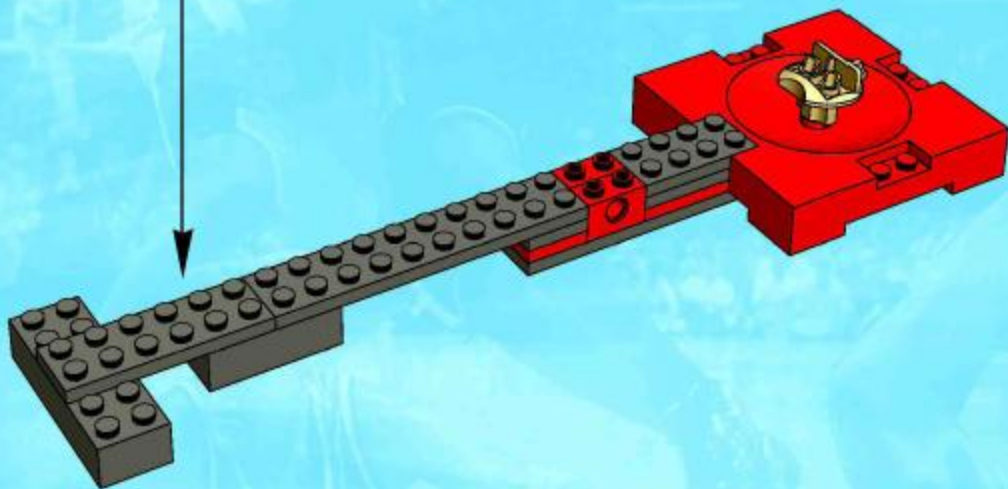
2



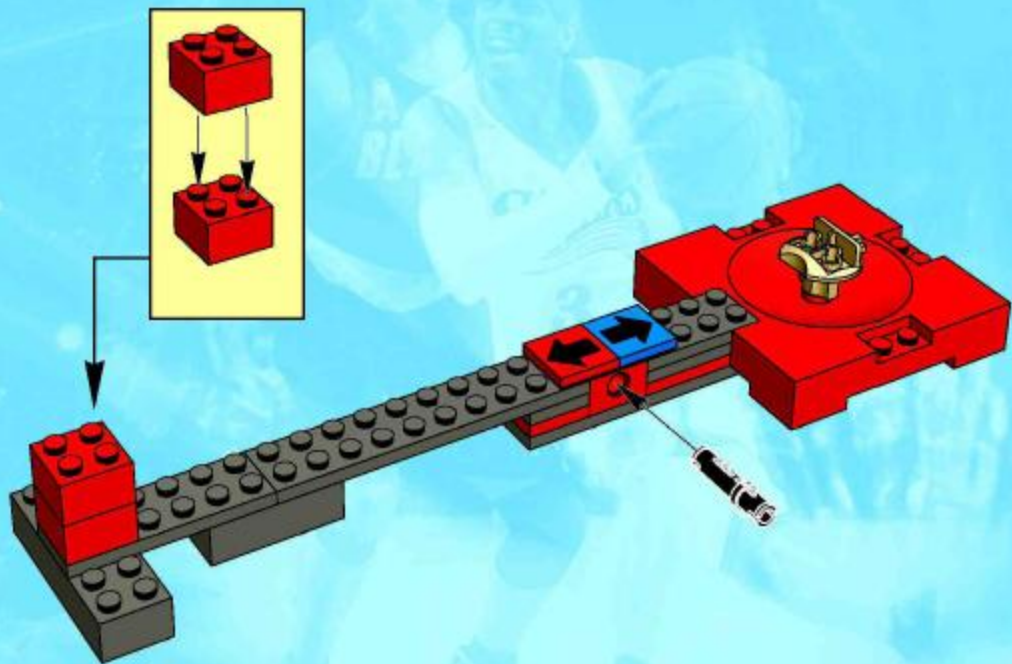
3



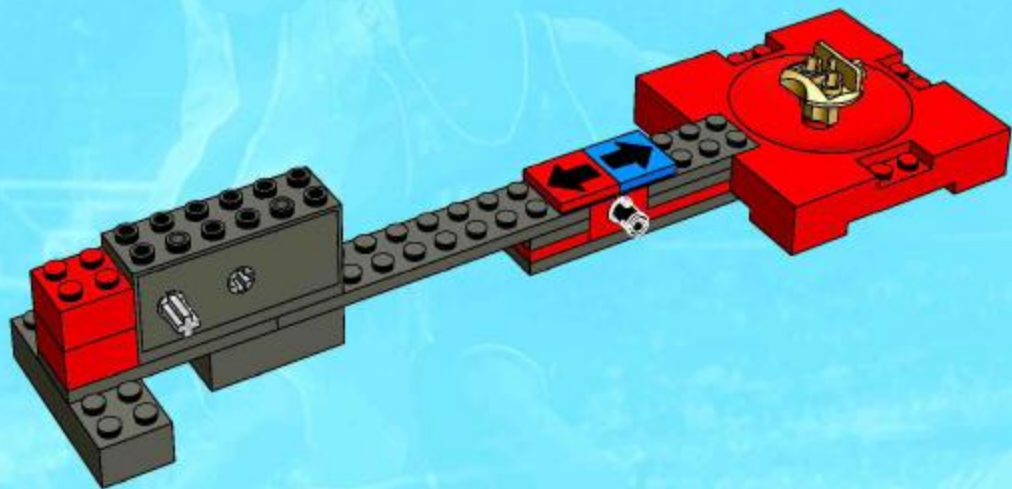
7

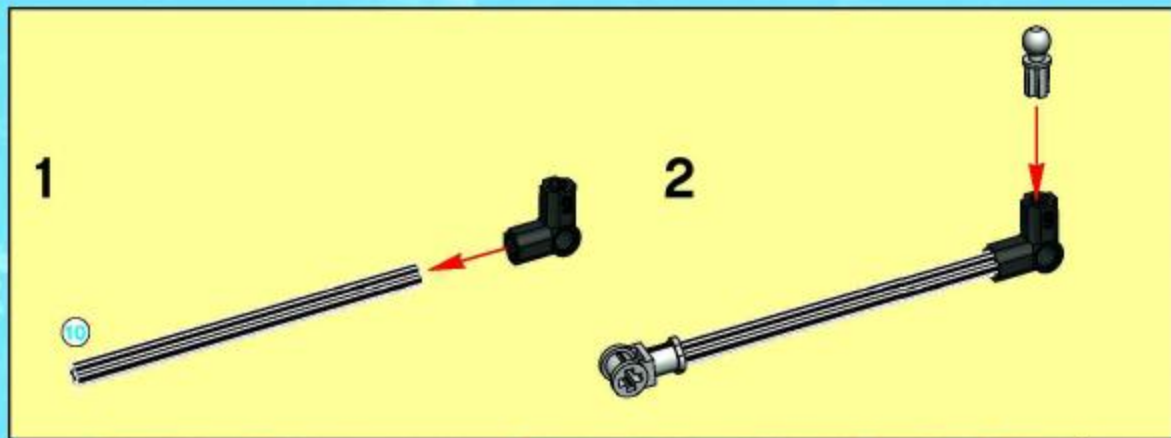


8

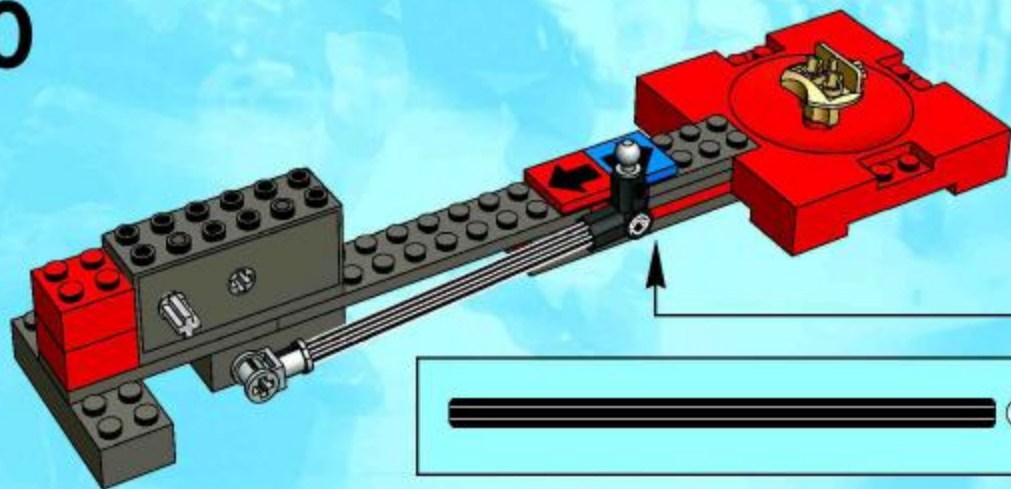


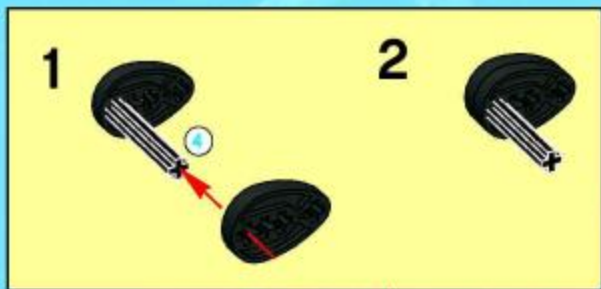
9



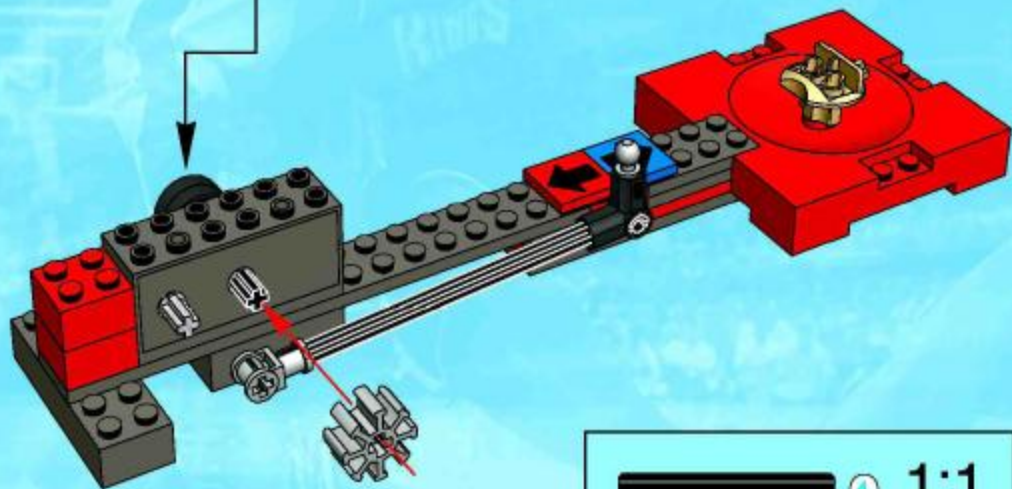


10

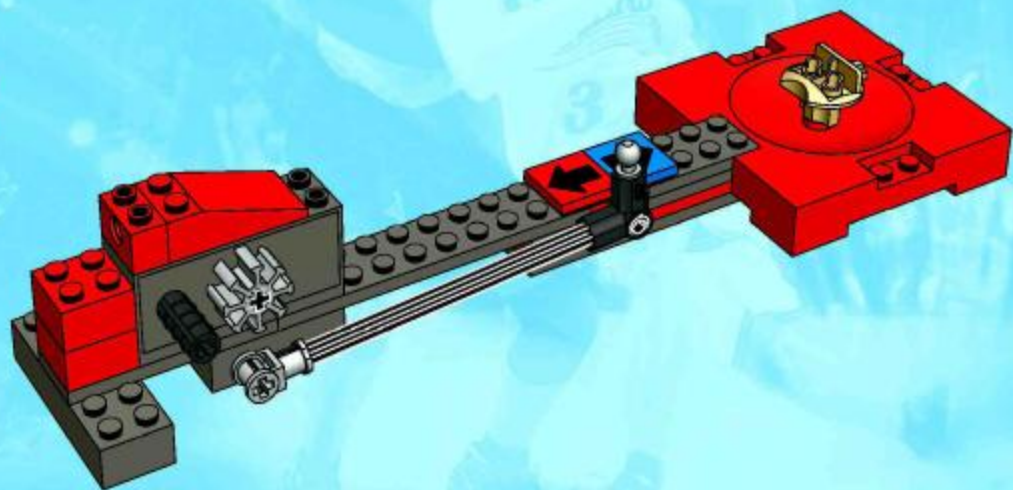




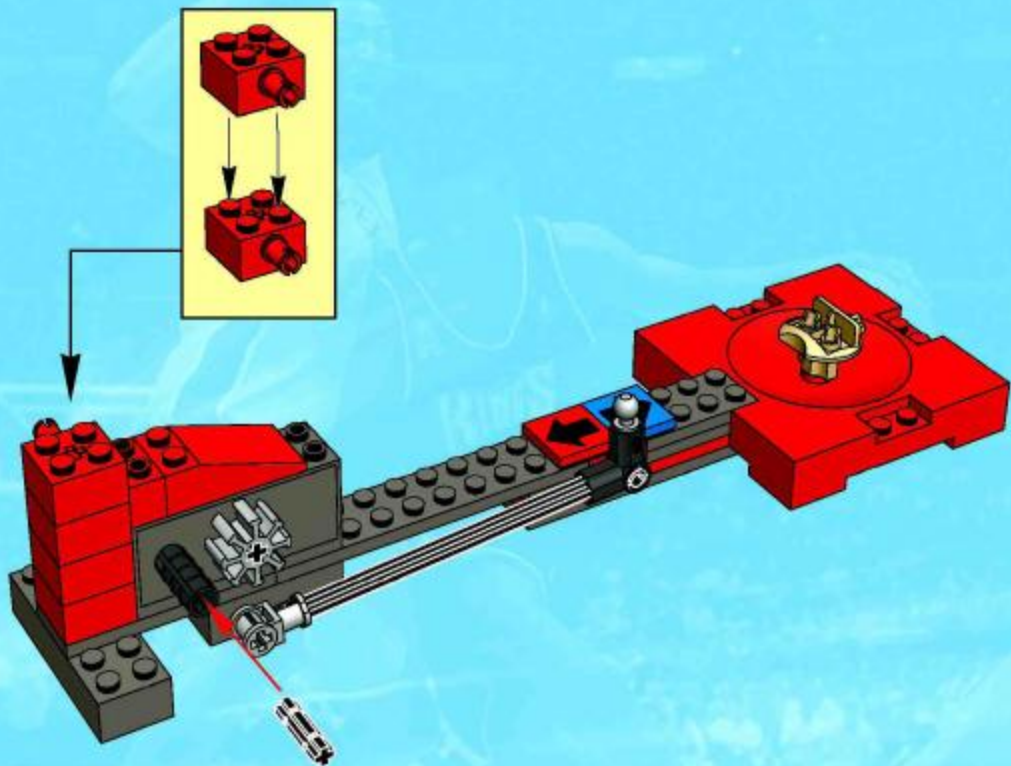
11



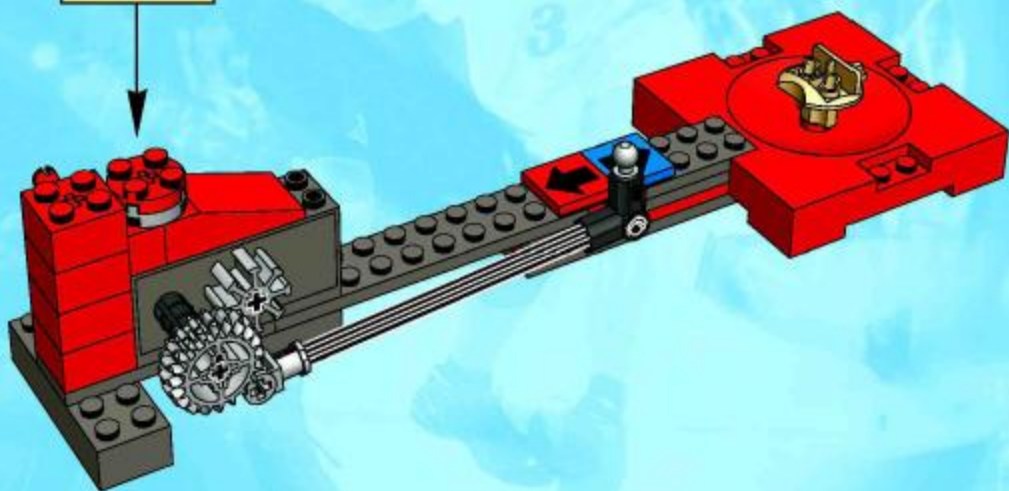
12



13

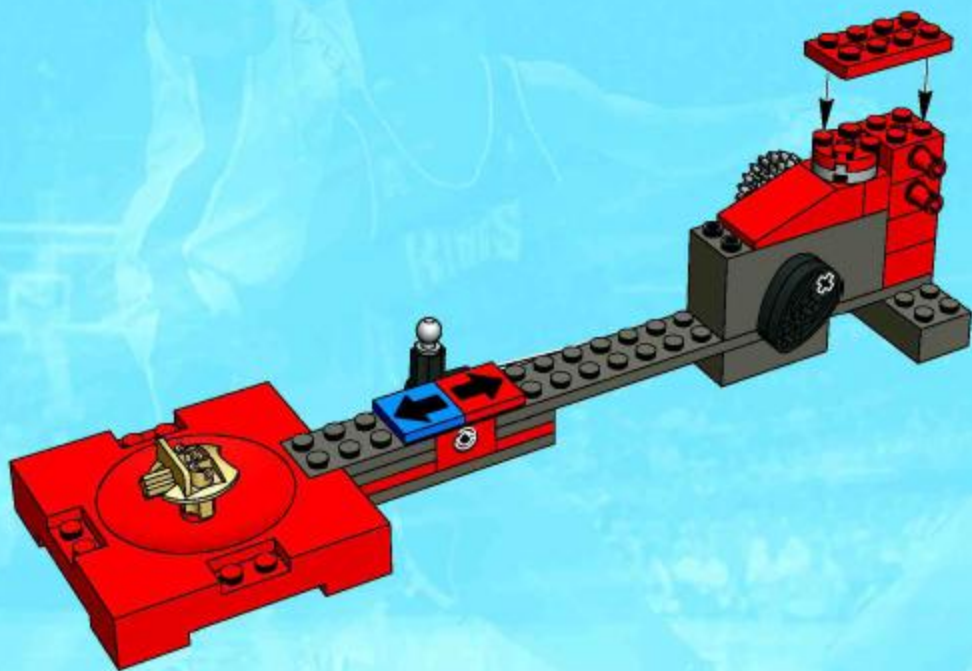


14

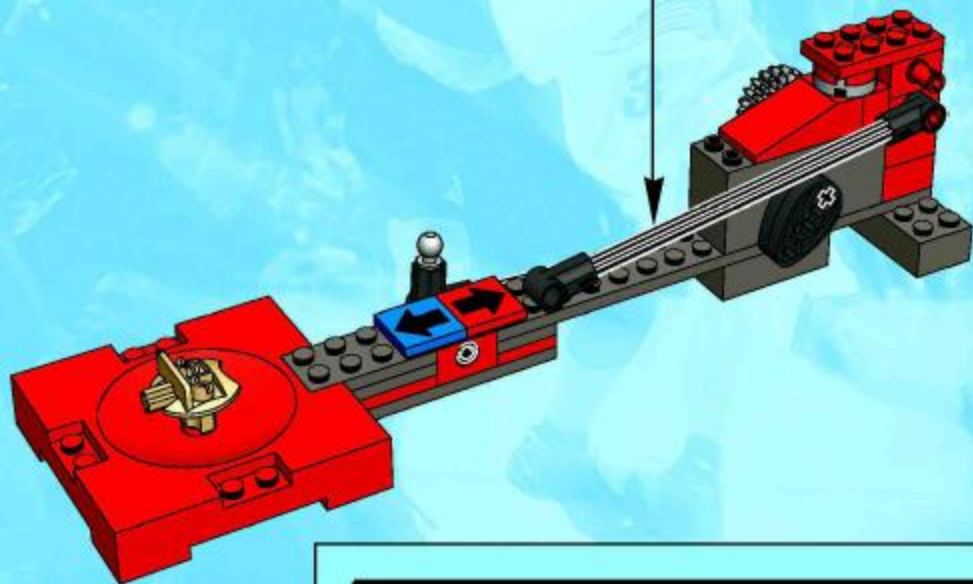
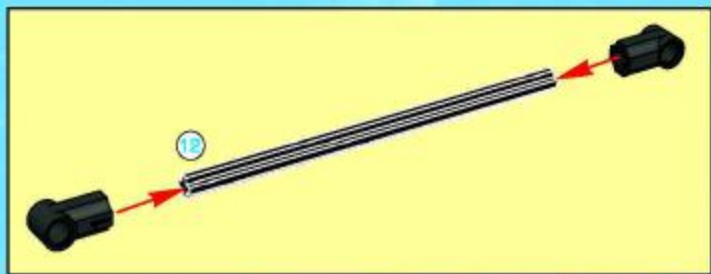




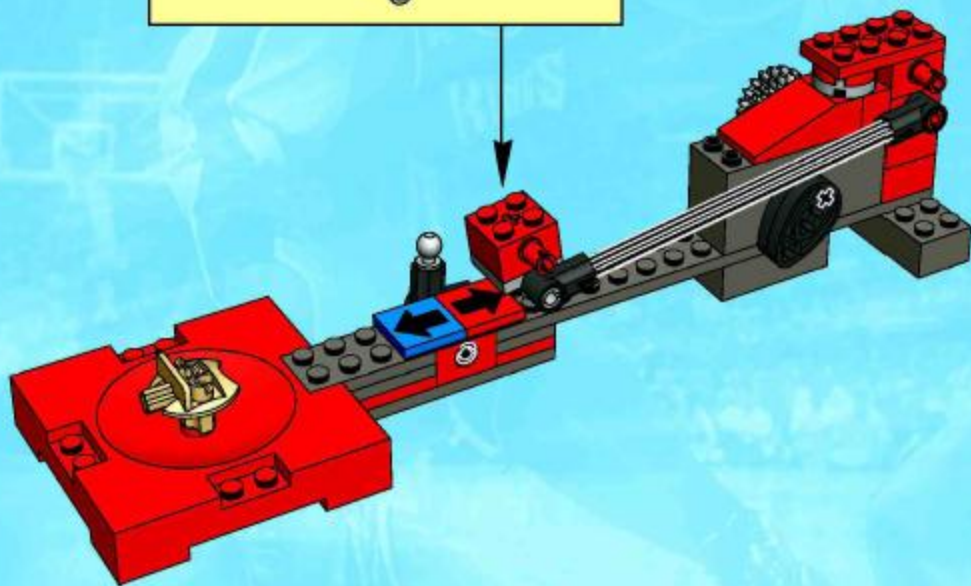
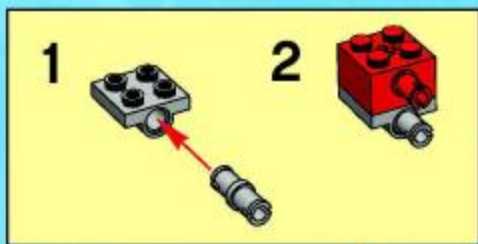
15

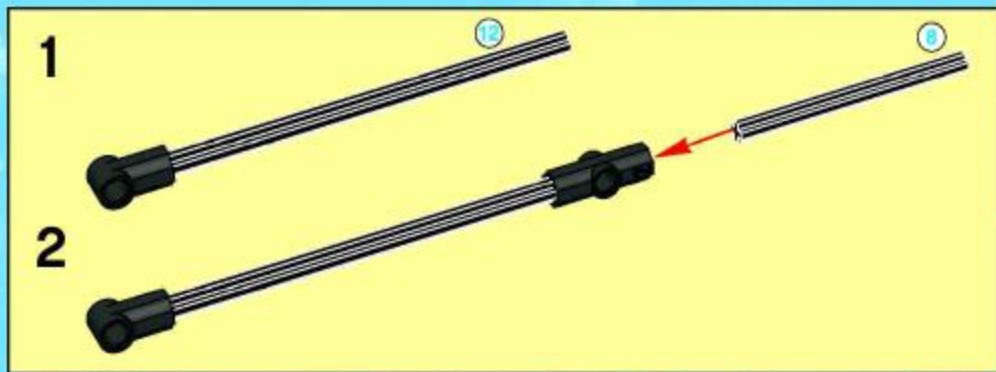


16

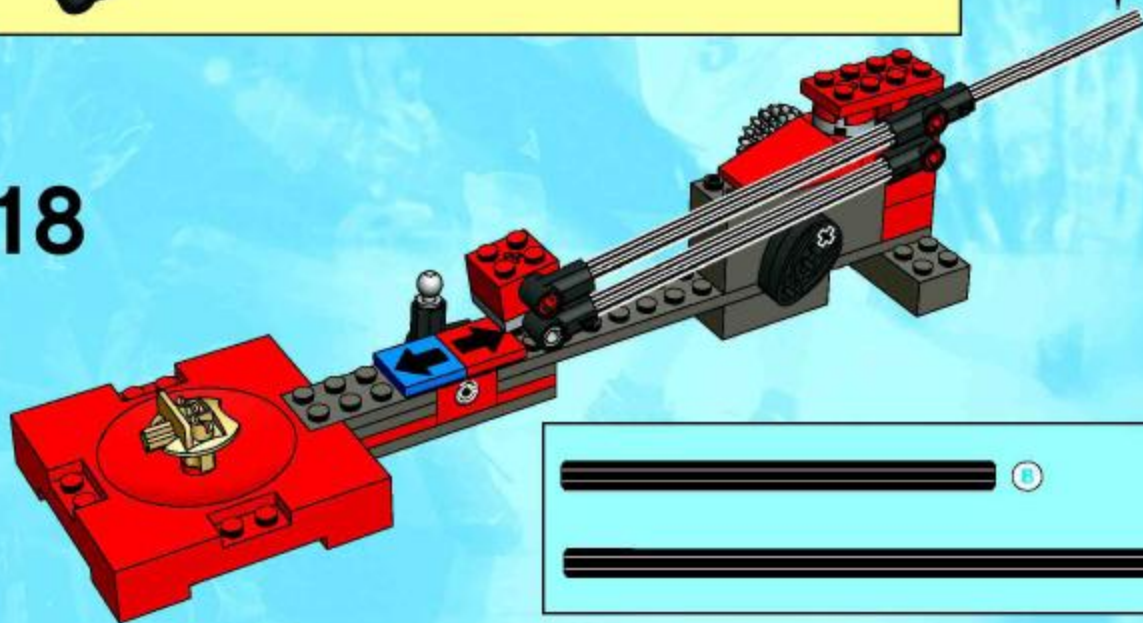


17





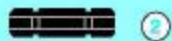
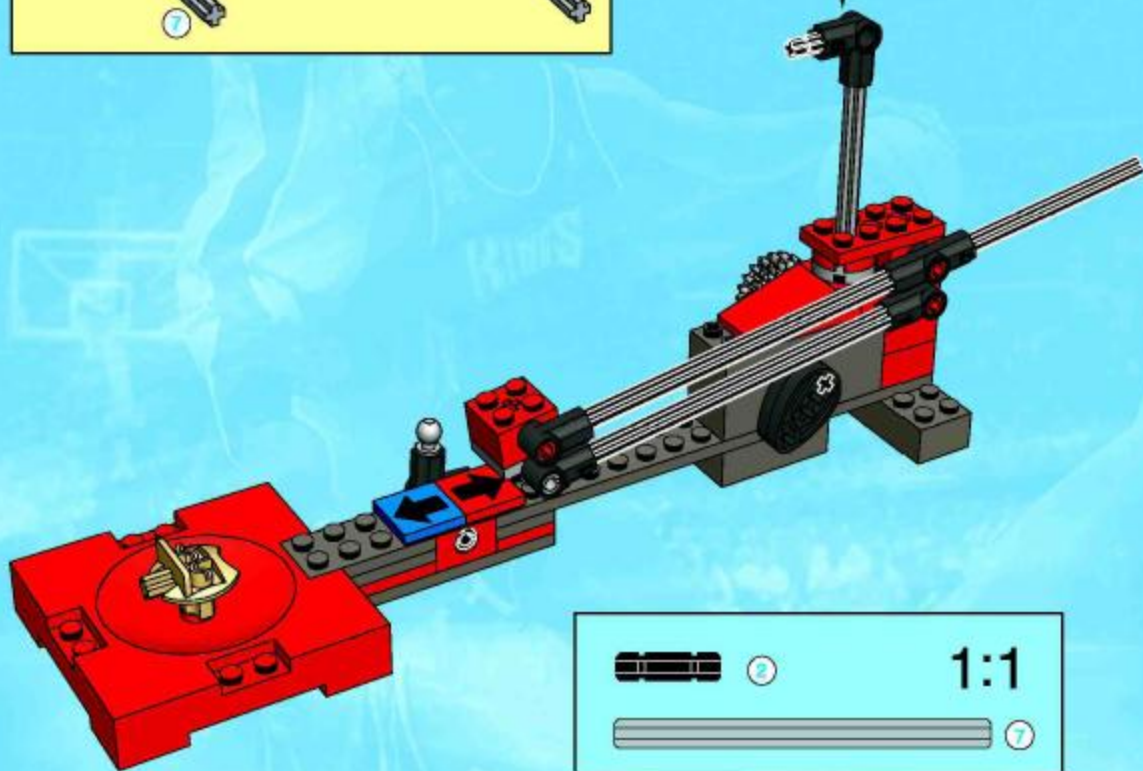
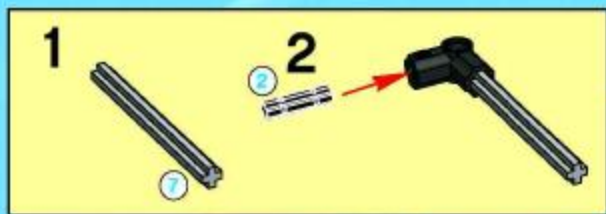
18



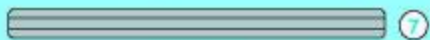
1:1



19

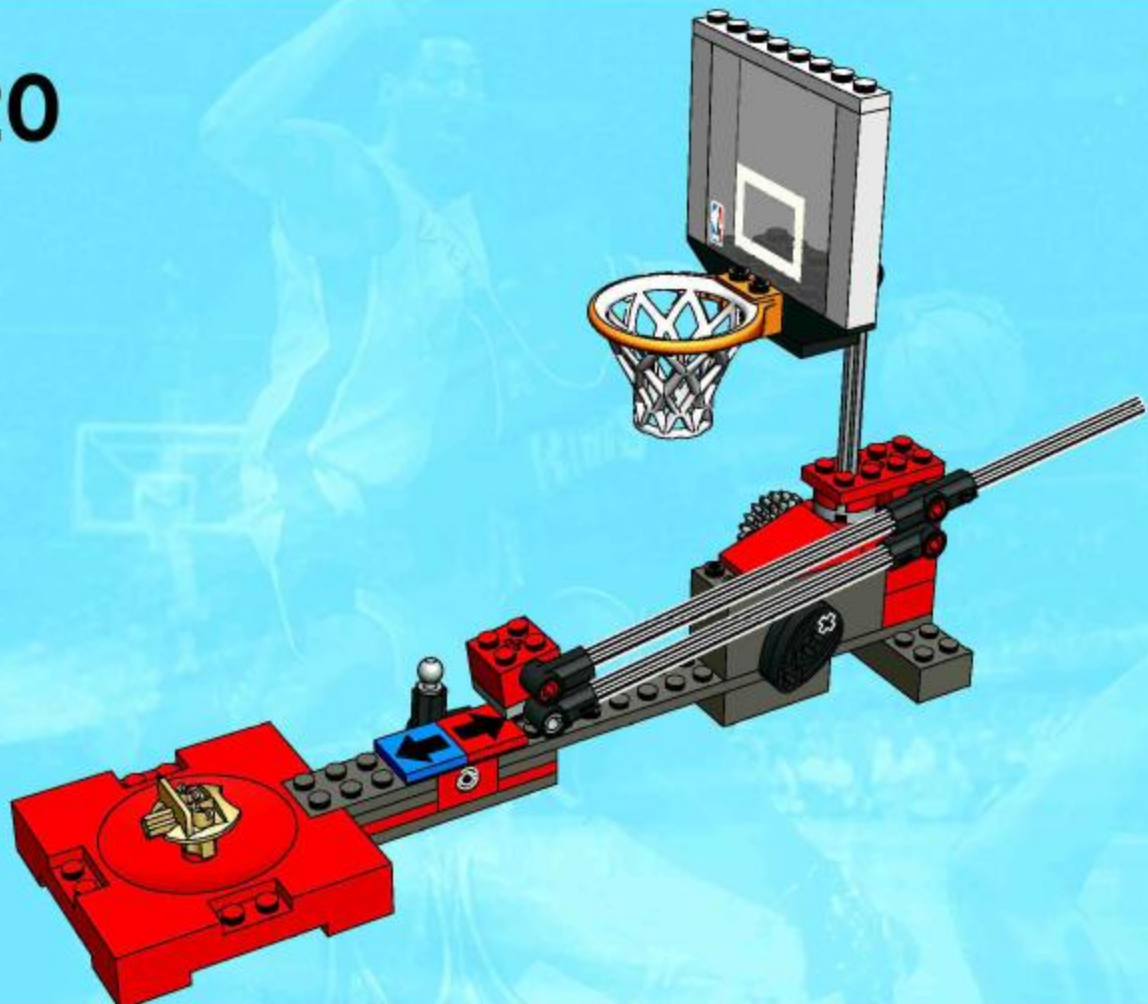


1:1

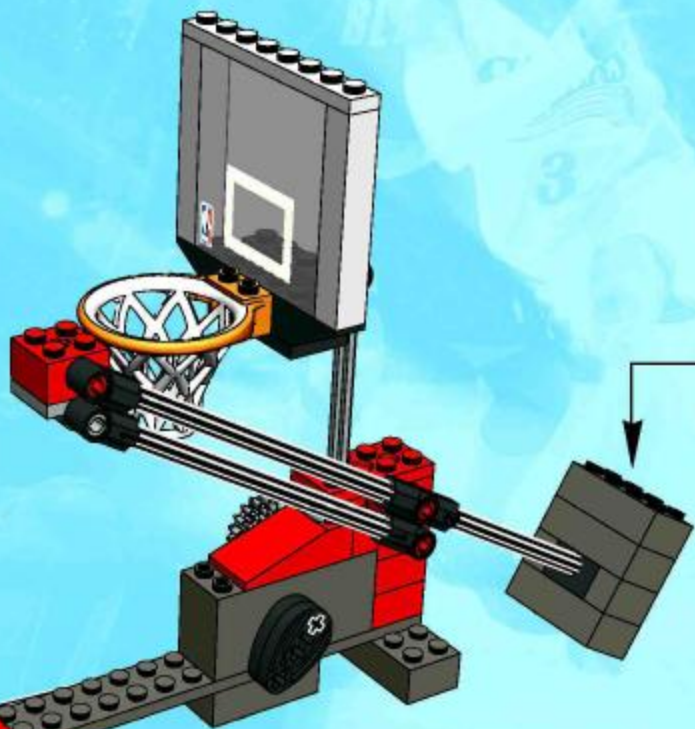




20



# 21



1



2

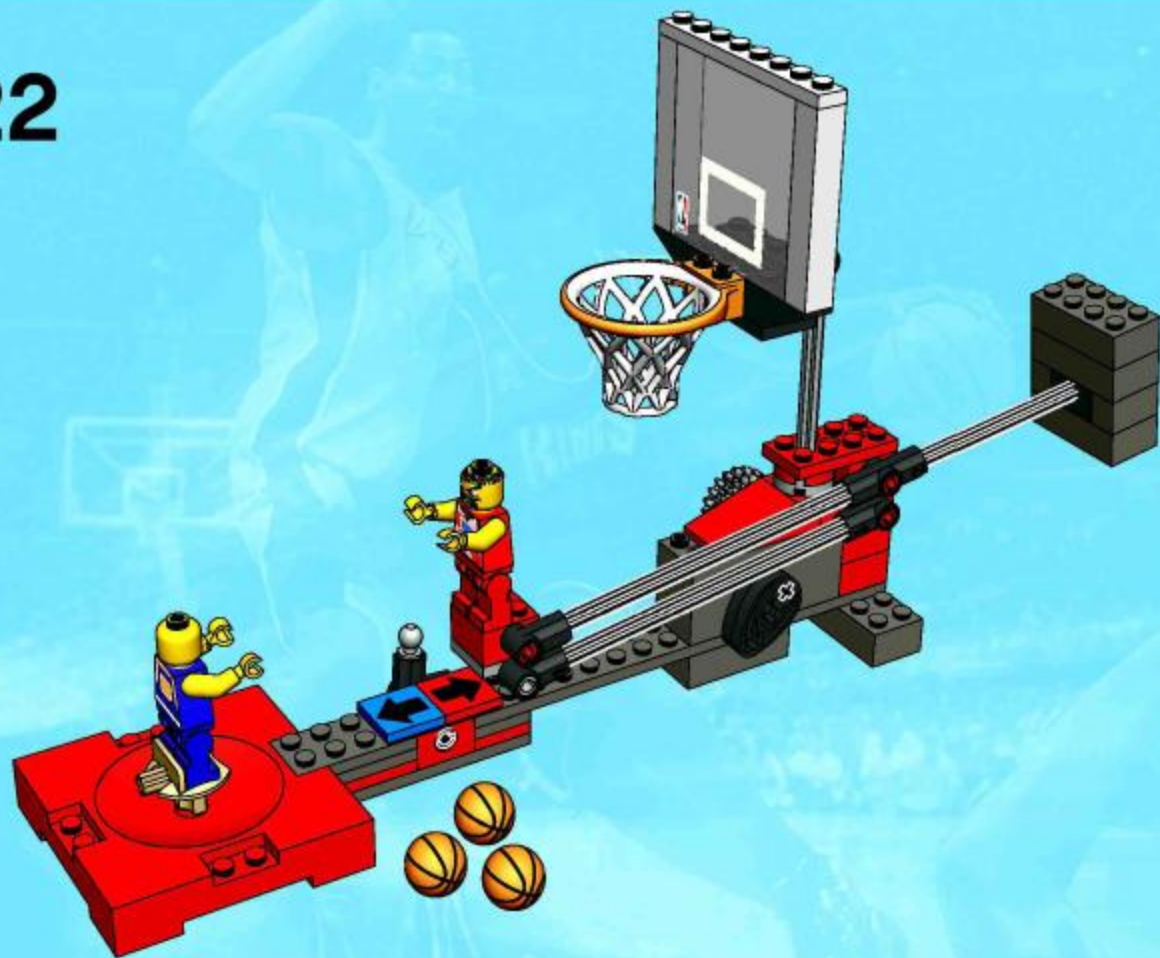


3





22





[www.LEGO.com](http://www.LEGO.com)

NBA  .COM

 NBA



#3428



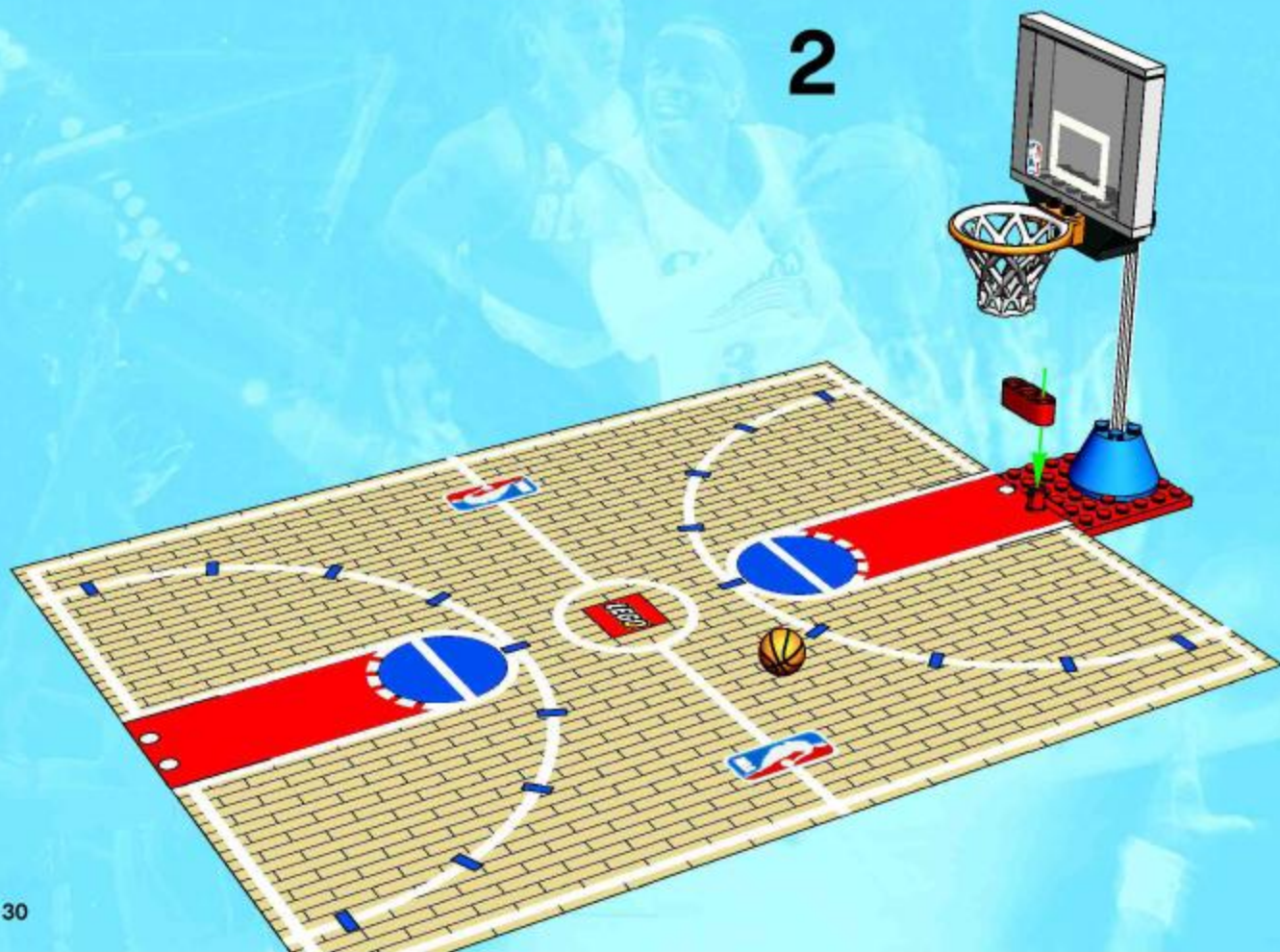


1

3428+3429



2

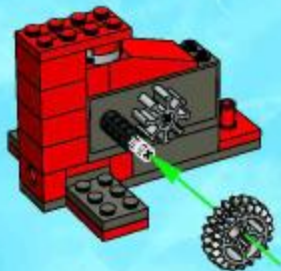




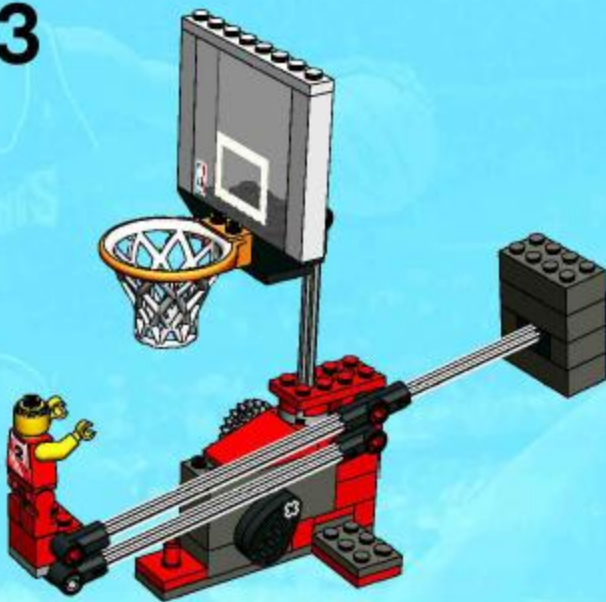
1



2



3



3







3429+3432

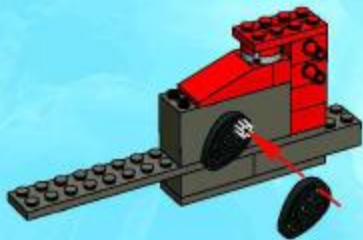
1



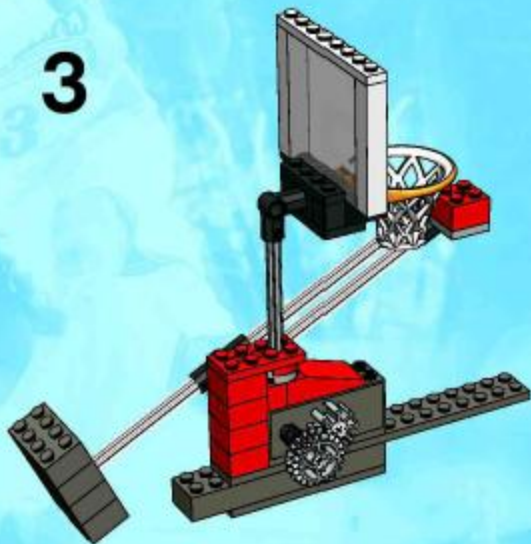
1



2



3



2



The LEGO logo, consisting of the word "LEGO" in white capital letters on a red square background.

# SPORTS



adidas, the adidas logo and the three stripe trademark are registered trademarks of the adidas-Salomon group, used with permission. Forevermark and the Trigon logo are trademarks of the adidas-Salomon group, used with permission.



[www.LEGO.com](http://www.LEGO.com)

SPALDING is a trademark of Spalding Sports Worldwide, Inc. or Lisco Sports, Inc., a Spalding affiliate.  
© Spalding Sports Worldwide, Inc. 2002

NBA identifications depicted are the exclusive property of NBA Properties, Inc. and/or the NBA Member Teams, and are used with permission.

LEGO and the LEGO logo are trademarks of the LEGO Group.  
©2002 The LEGO Group.

