



# CREATOR™

30582



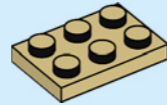
6399240

[LEGO.com/creator](https://www.lego.com/creator)

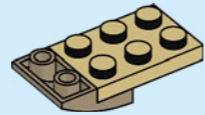
[LEGO.com/service](https://www.lego.com/service)

LEGO and the LEGO logo are trademarks of the LEGO Group. ©2022 The LEGO Group. 6399240

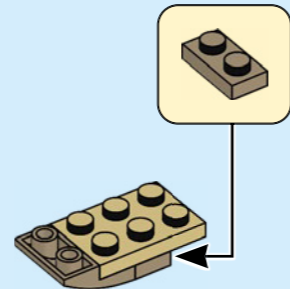
1



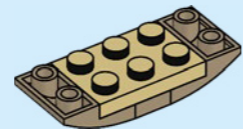
2



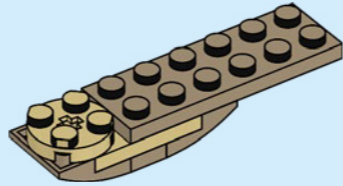
3



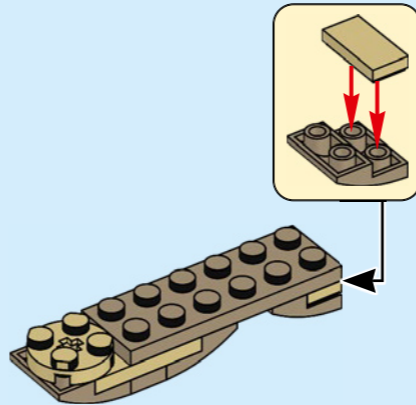
4



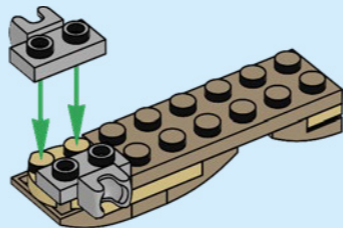
5



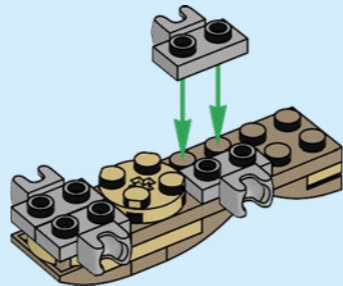
6



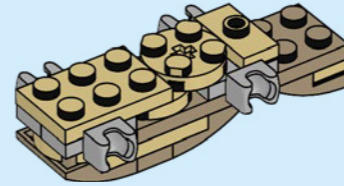
7



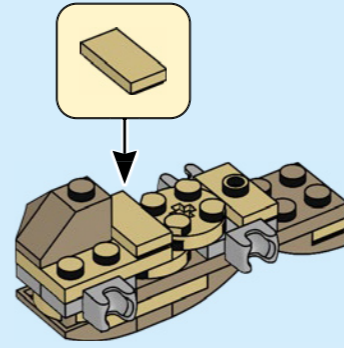
8



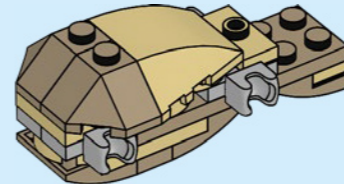
9



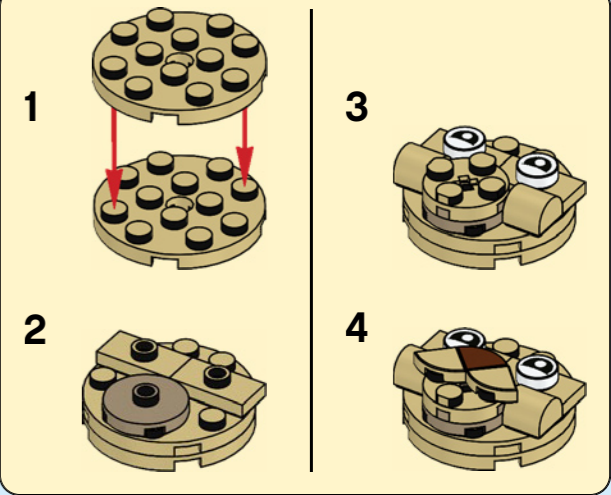
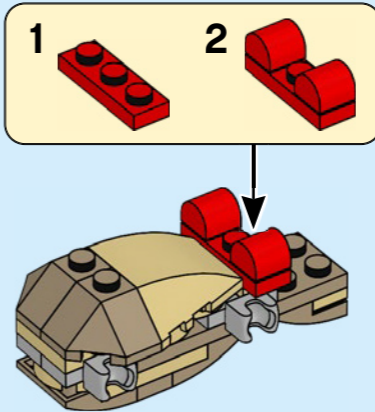
10



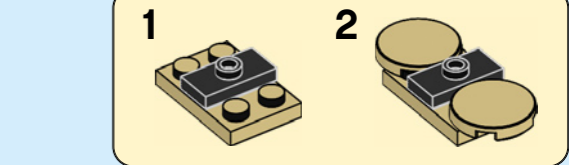
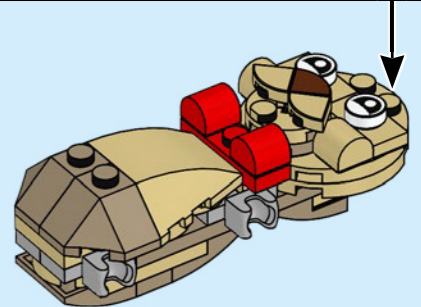
11



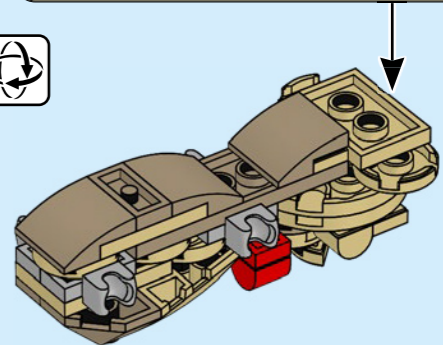
12



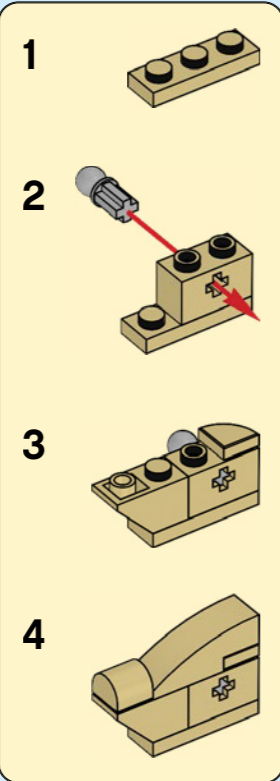
13



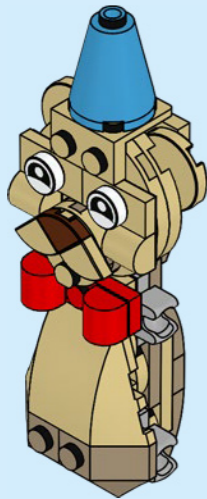
14



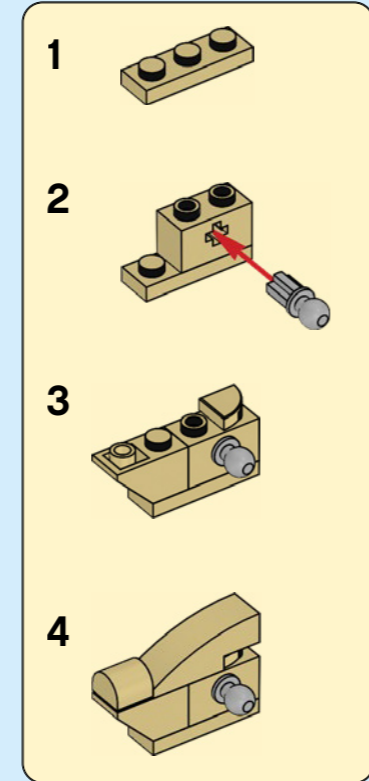
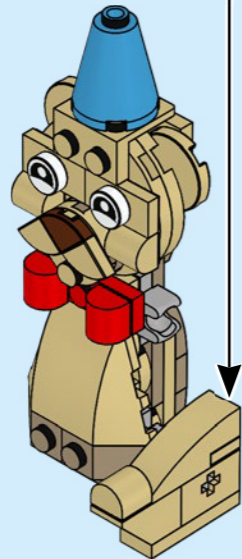
15



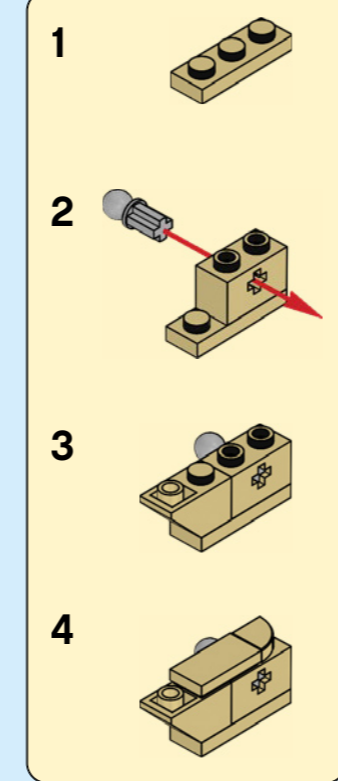
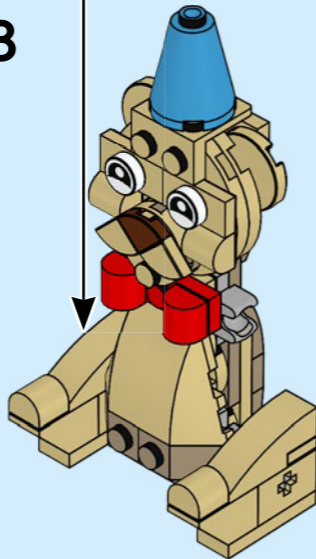
16



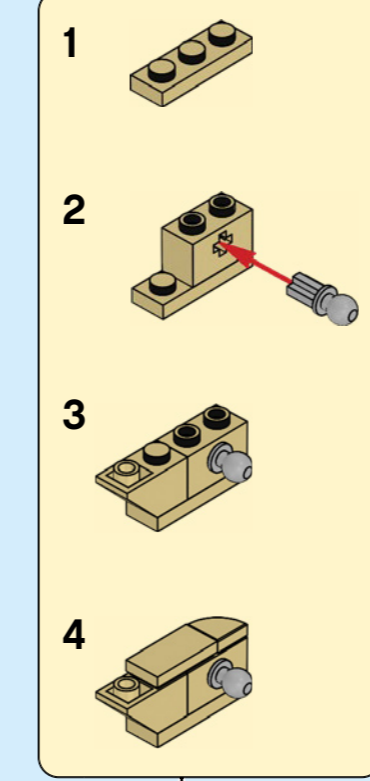
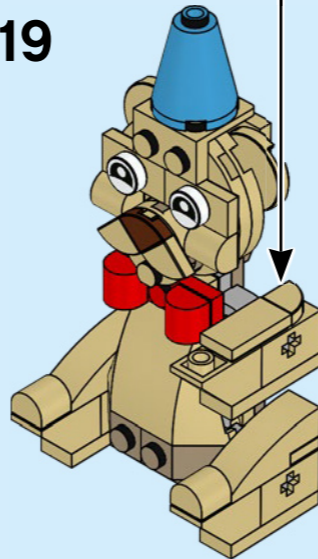
17



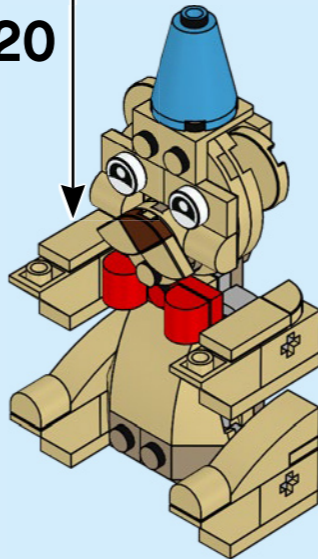
18



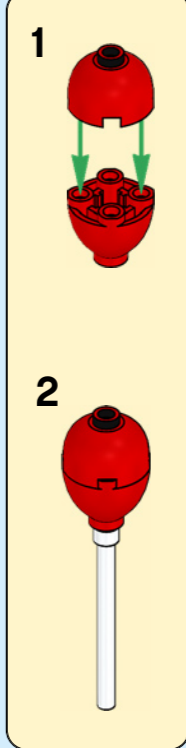
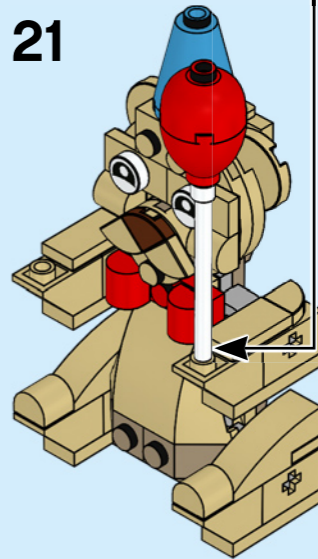
19



20



21



22

