



SPEED CHAMPIONS

GT
R
nismo

76896



[LEGO.com/speedchampions](https://www.lego.com/speedchampions)





- 1 Scan the code on the front cover
Scanne den Code auf der Titelseite
Scanne le code sur la page de couverture
Scanner le code sur la page couverture
Scansiona il codice sulla copertina
Escanea el código de la portada
Faz scan do código na frente da capa
Olvasd be a borítón látható kódot!
Noskenë kodu uz priekšējā vāka
扫描封面上的二维码

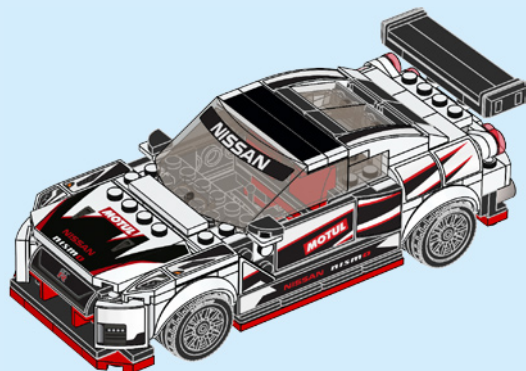
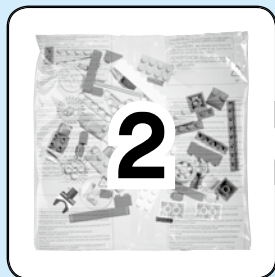
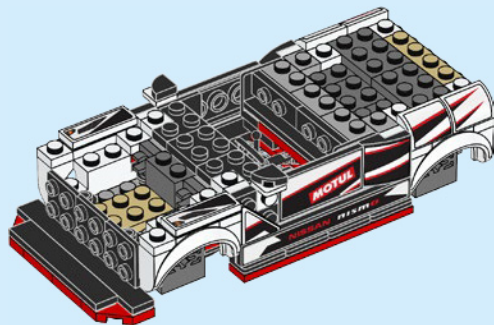
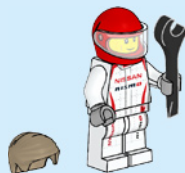


- 2 Get Instructions PLUS
Hol dir Instructions PLUS
Obtiens les instructions PLUS
Obtenir les Instructions PLUS
Scarica Instructions PLUS
Descubre Instructions PLUS
Obtém Instruções PLUS
Szerezd be az Instructions PLUS
kiegészítőt!
Saņem "Instructions PLUS"
获取更多说明

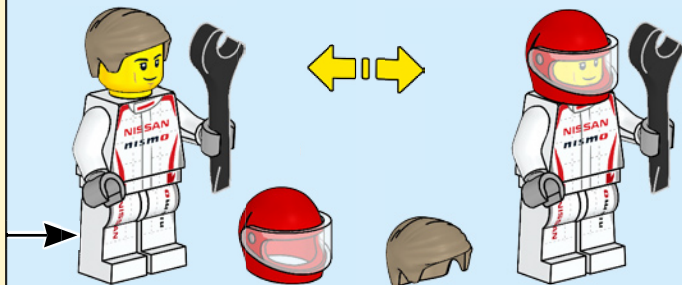
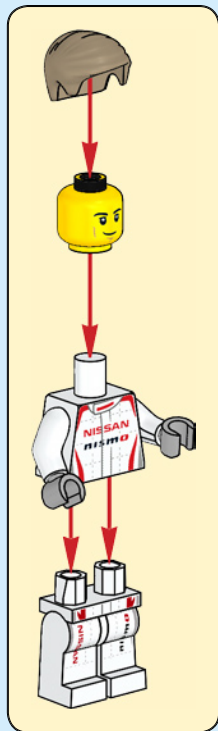
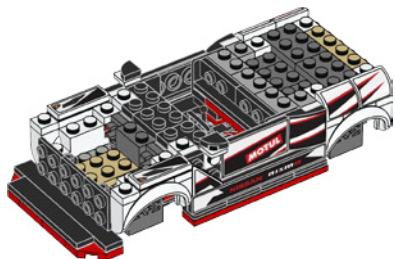
LEGO.com/apps

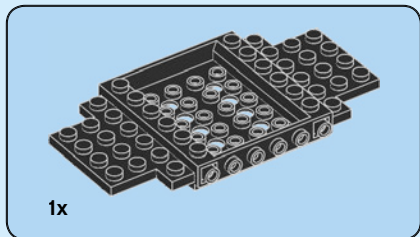
Check for compatibility
Kompatibilität prüfen
Vérifier la compatibilité
Controlla la compatibilità
Comprueba tu compatibilidad

Verificar a compatibilidade
Ellenőrizd a kompatibilitást
Pārbaudīt saderību
检查兼容性

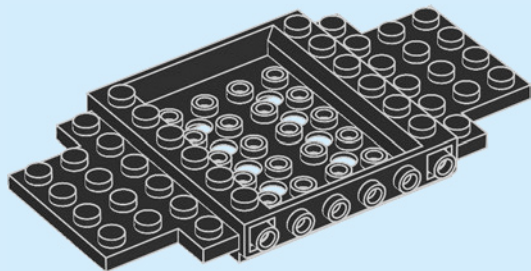


1x





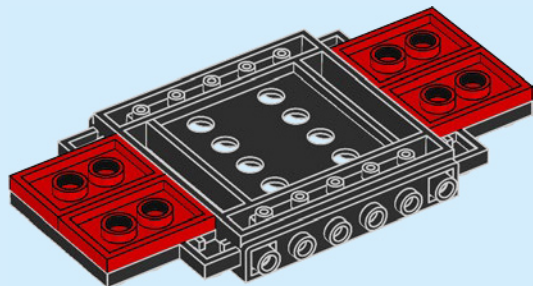
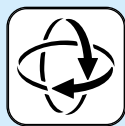
1

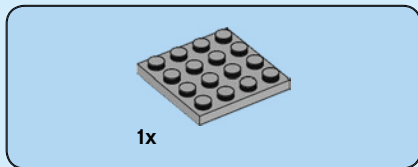


6

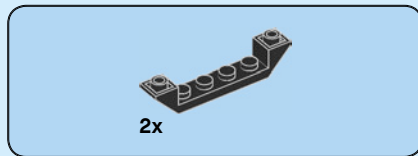
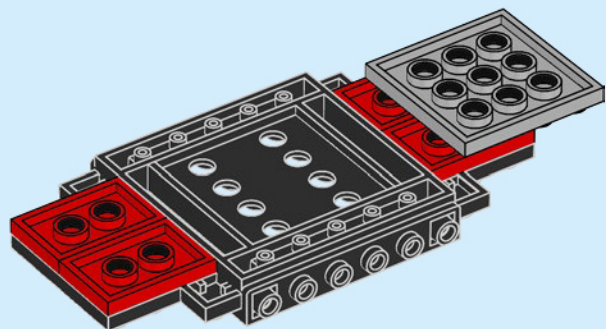


2

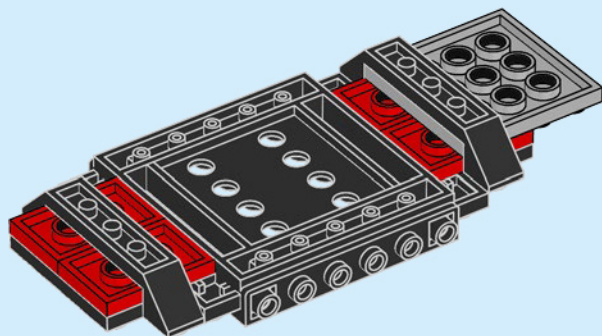


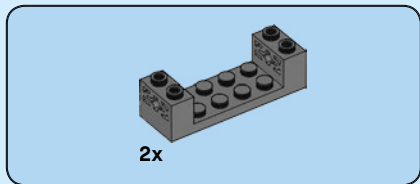


3

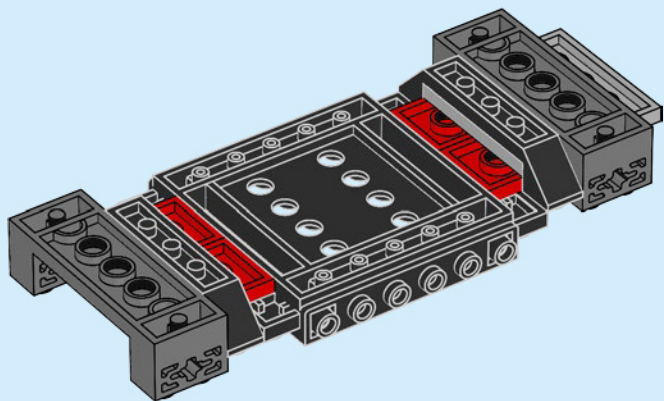


4

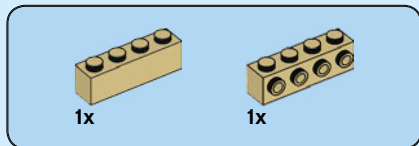




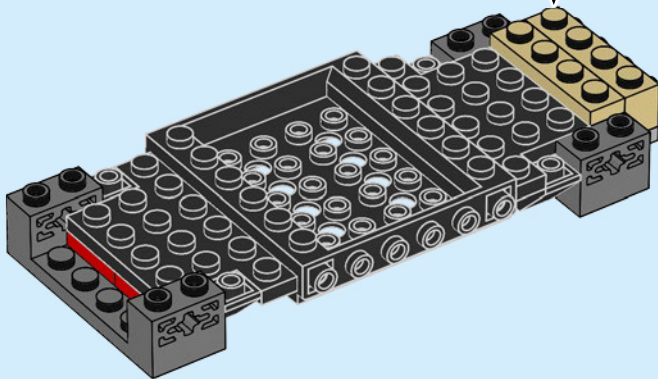
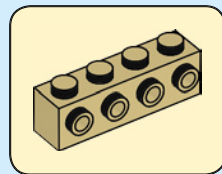
5



8



6



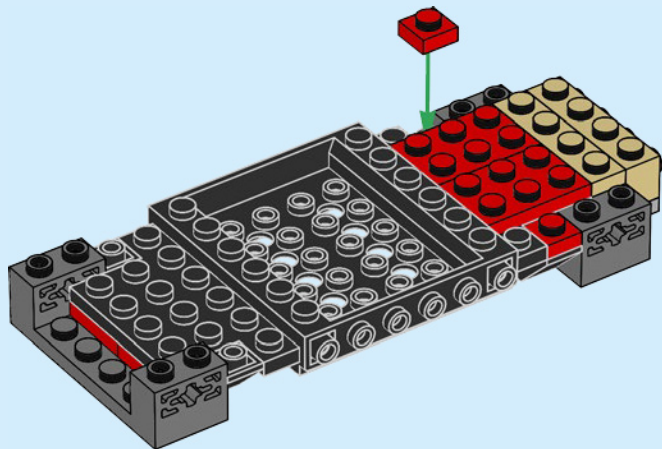


2x



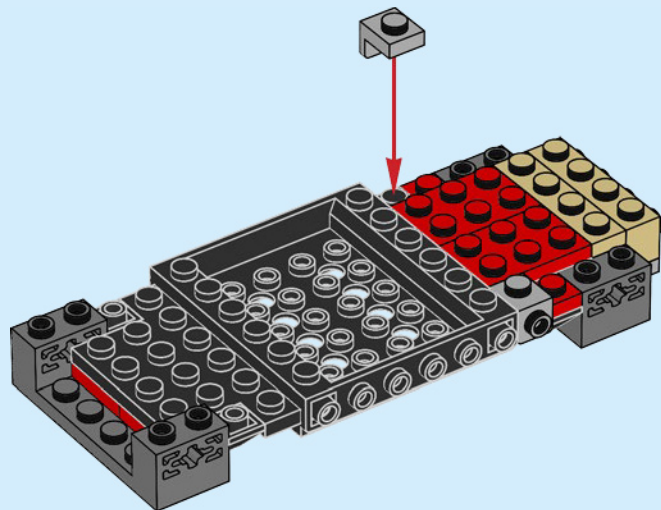
2x

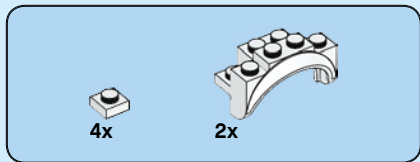
7



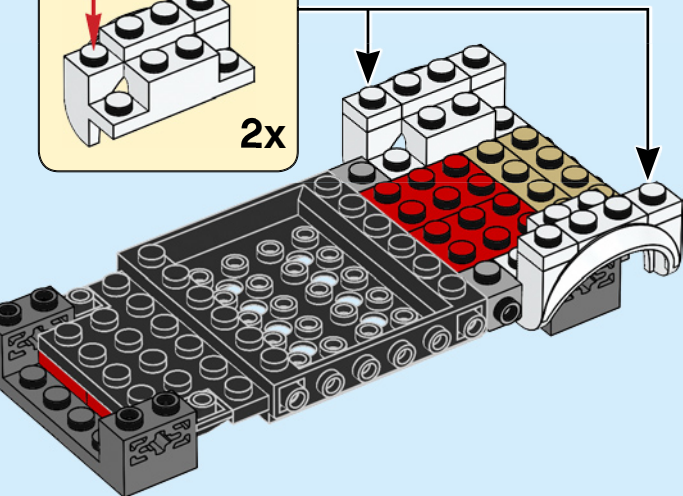
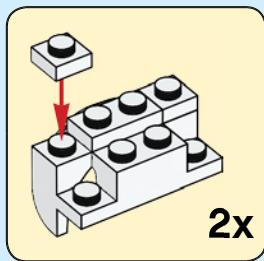
2x

8





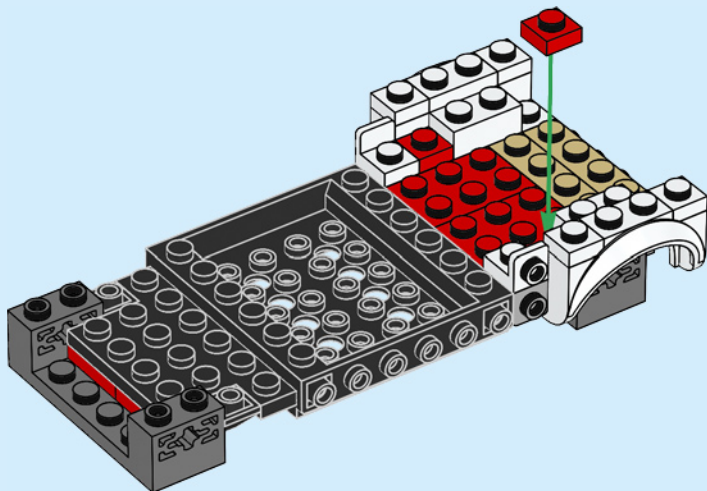
9

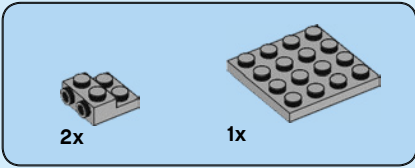


10

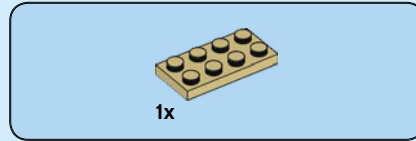
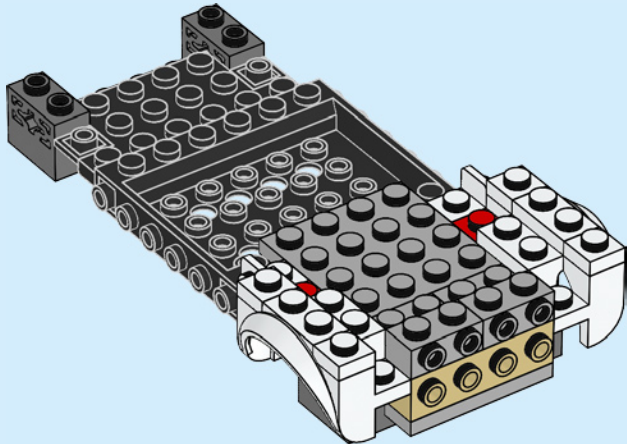


10

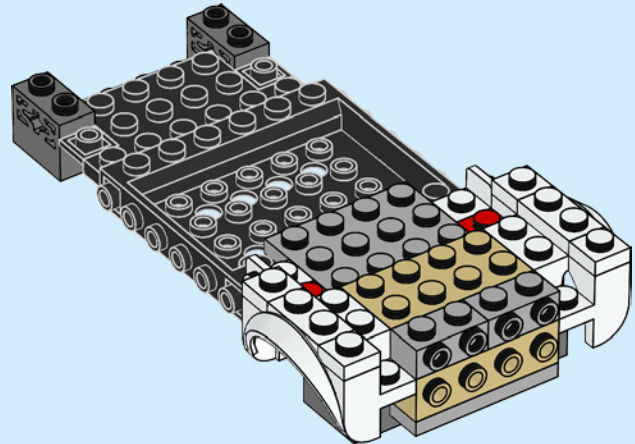


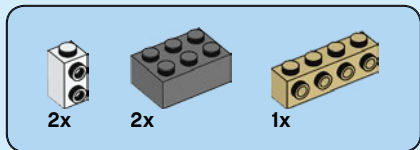


11

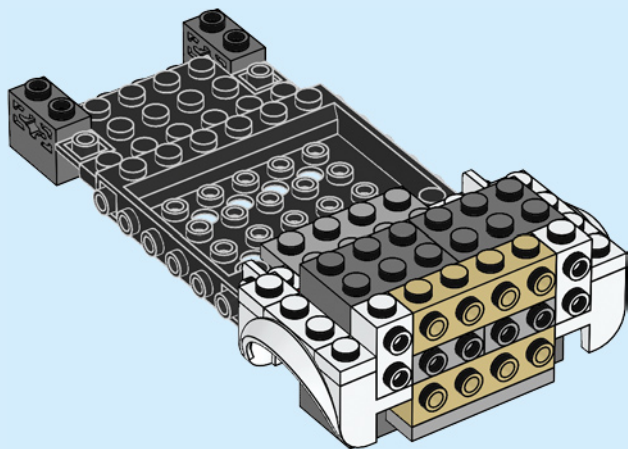


12

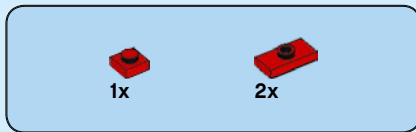




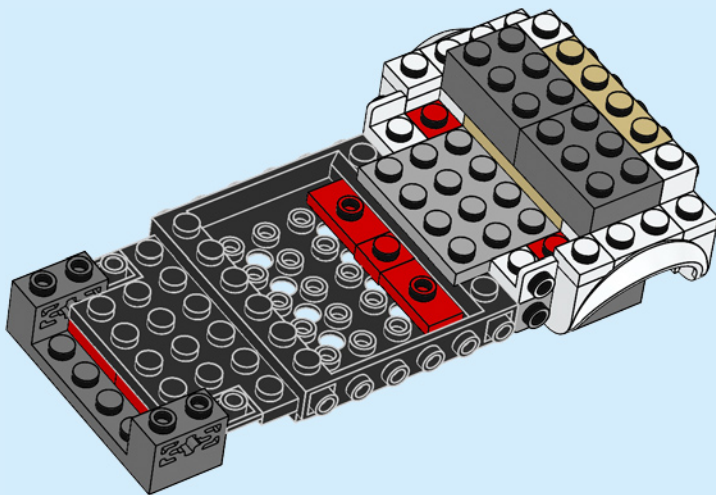
13



12



14



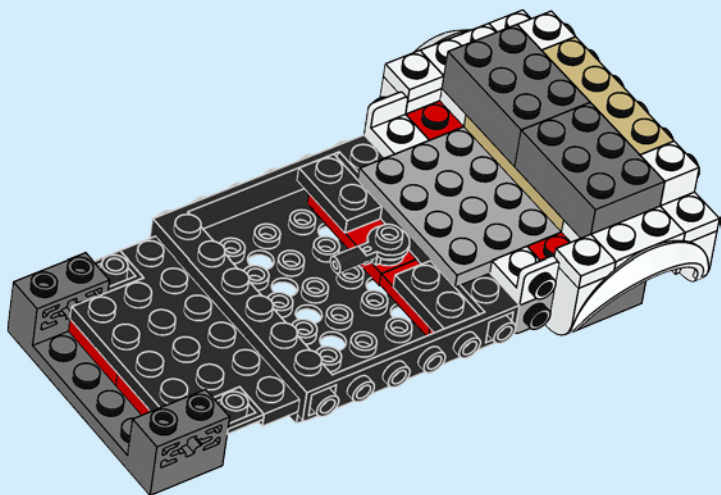


2x



1x

15

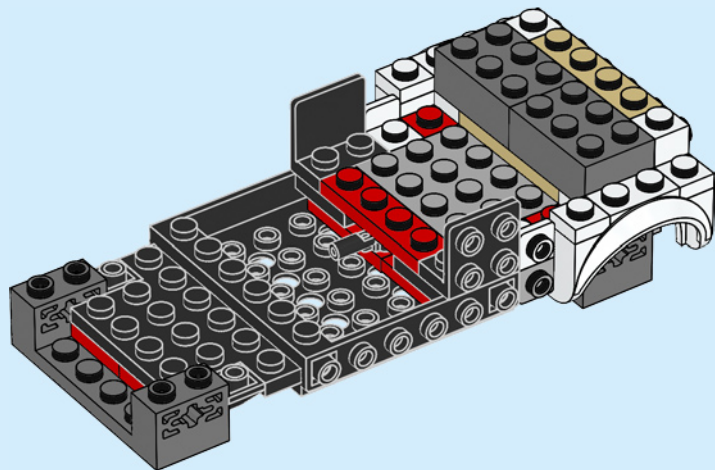


1x



2x

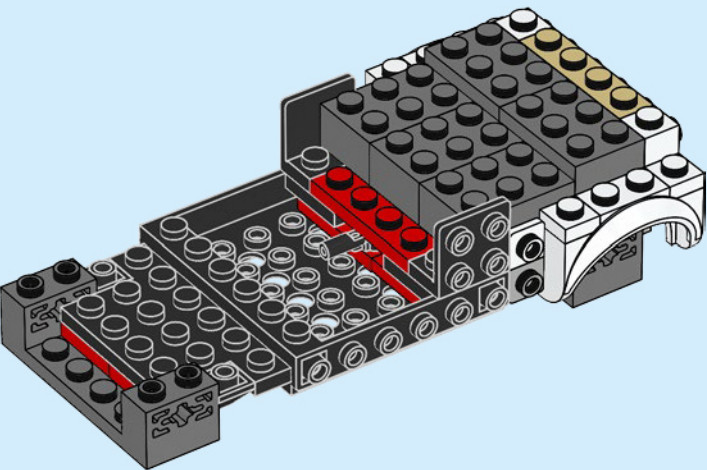
16





3x

17

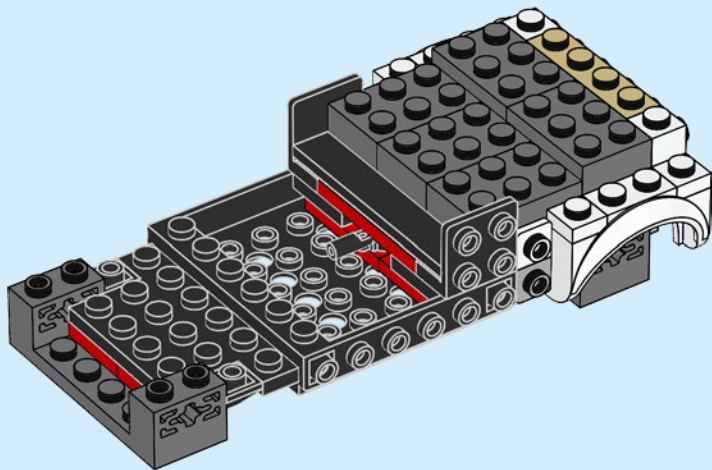


14



1x

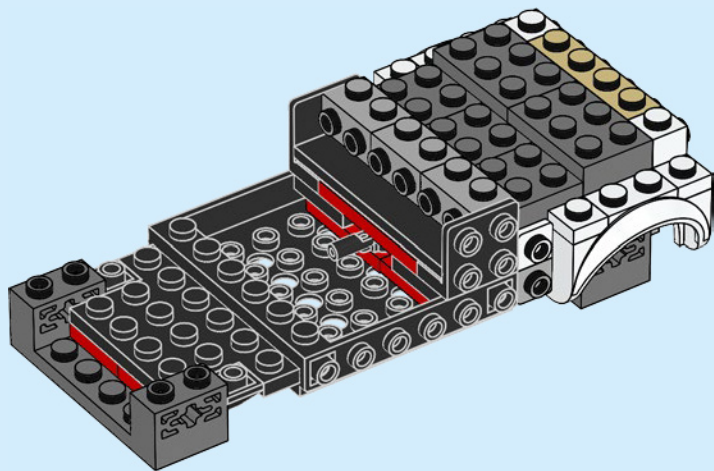
18





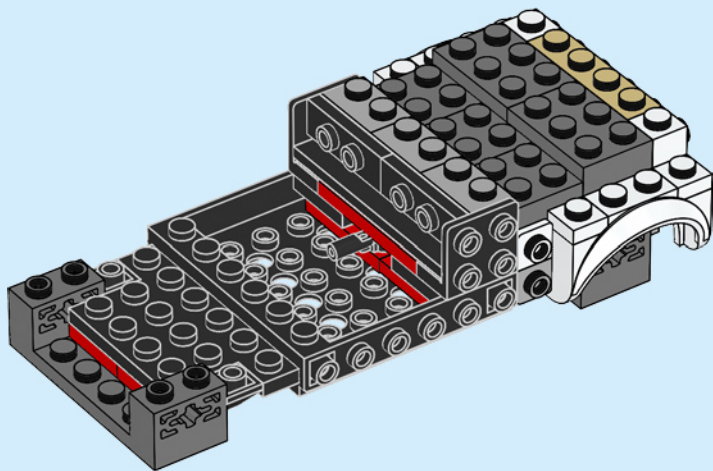
3x

19



2x

20





2x

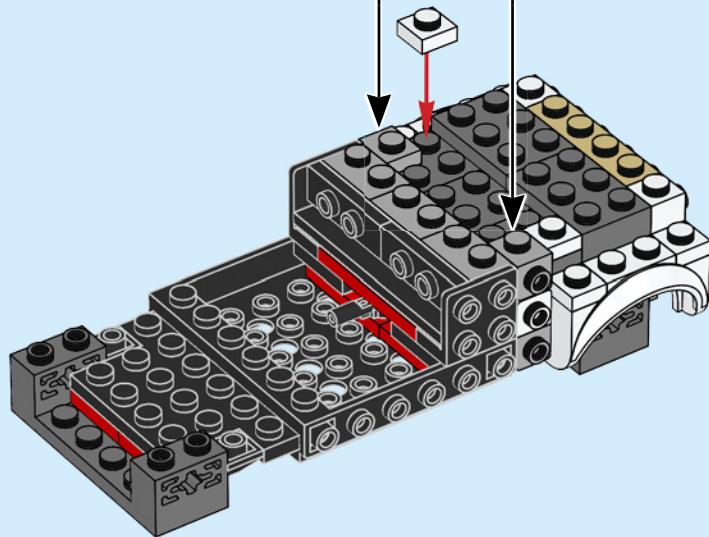


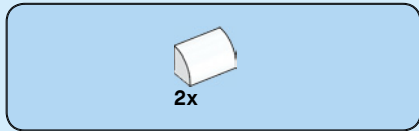
2x



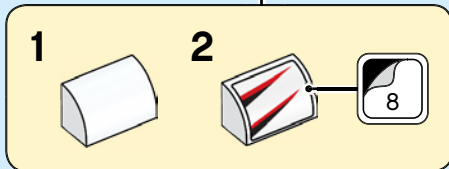
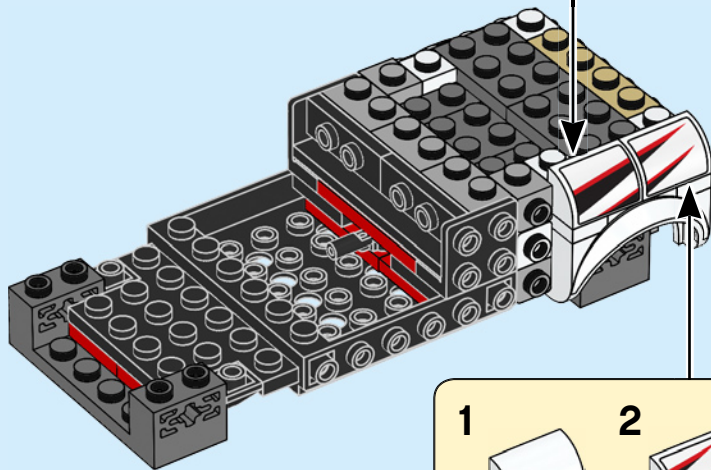
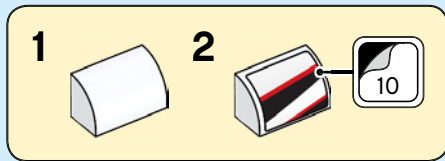
2x

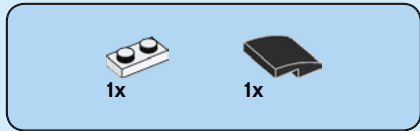
21



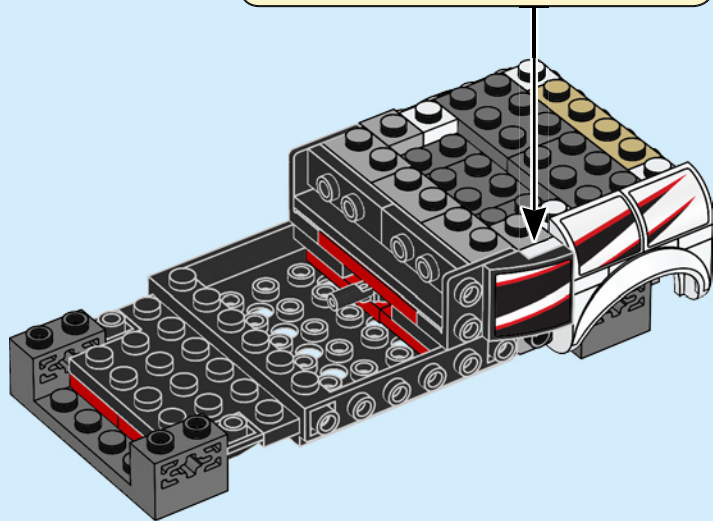
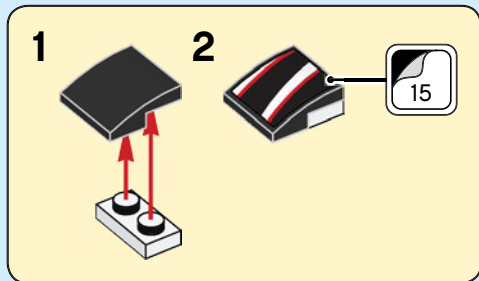


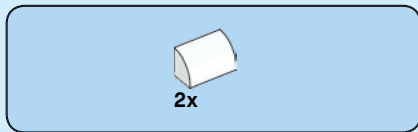
22



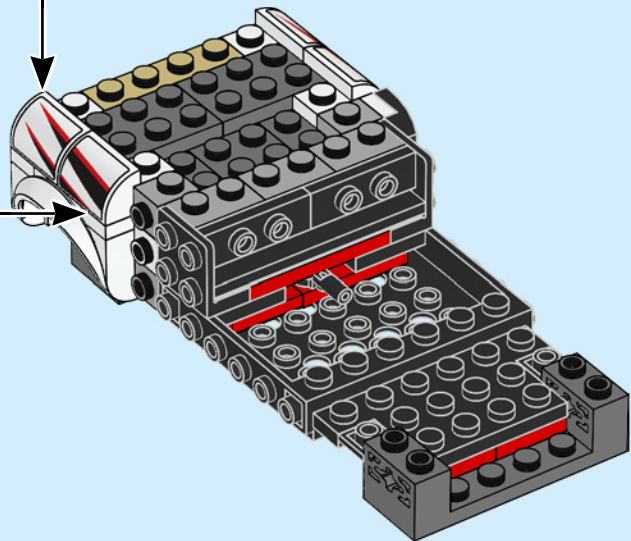
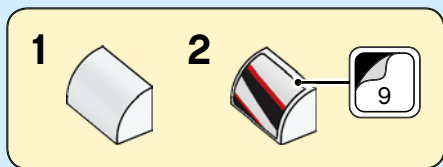
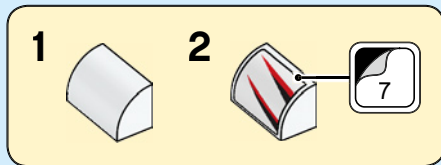


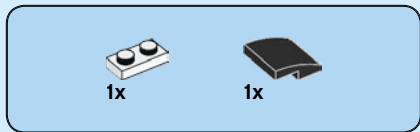
23



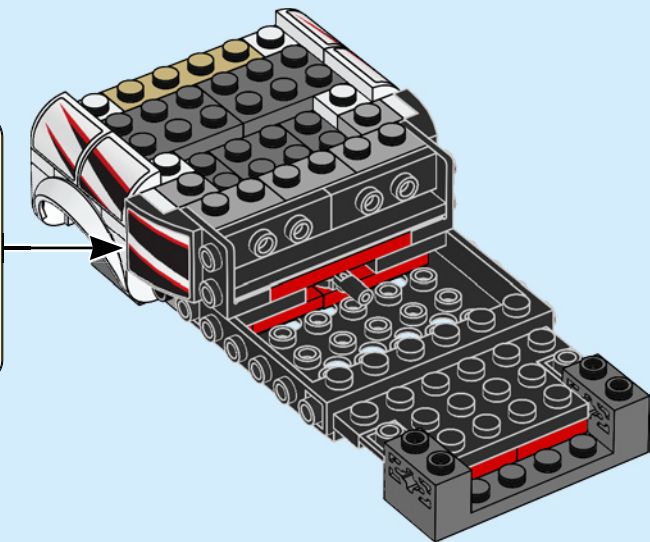
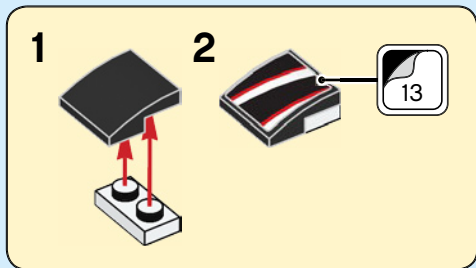


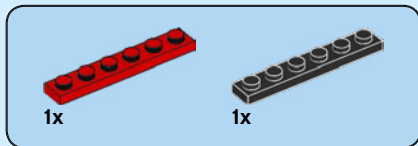
24



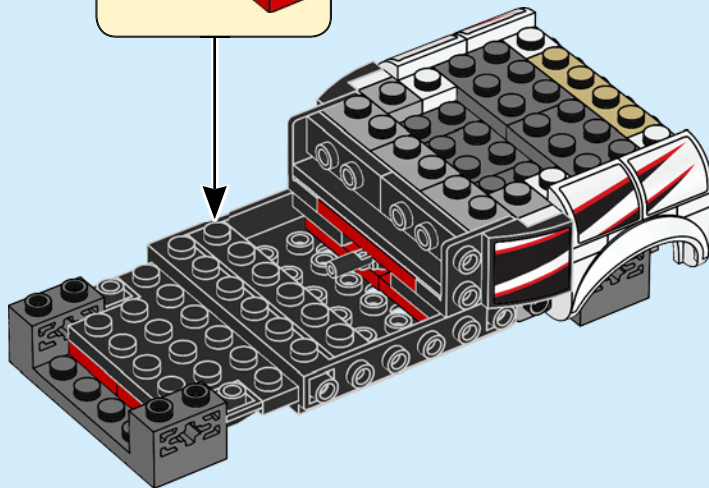
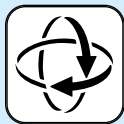
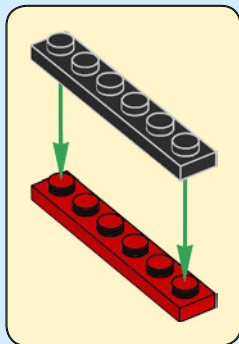


25





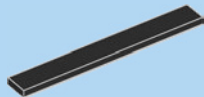
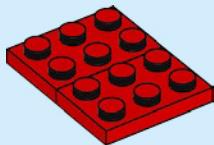
26





2x

27

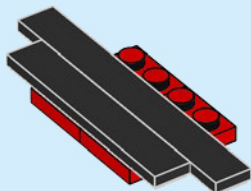


1x



1x

28

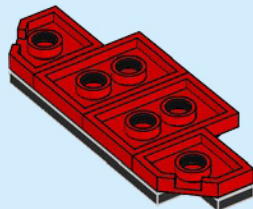
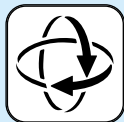


22



2x

29

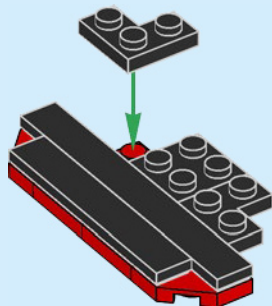
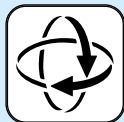


1x

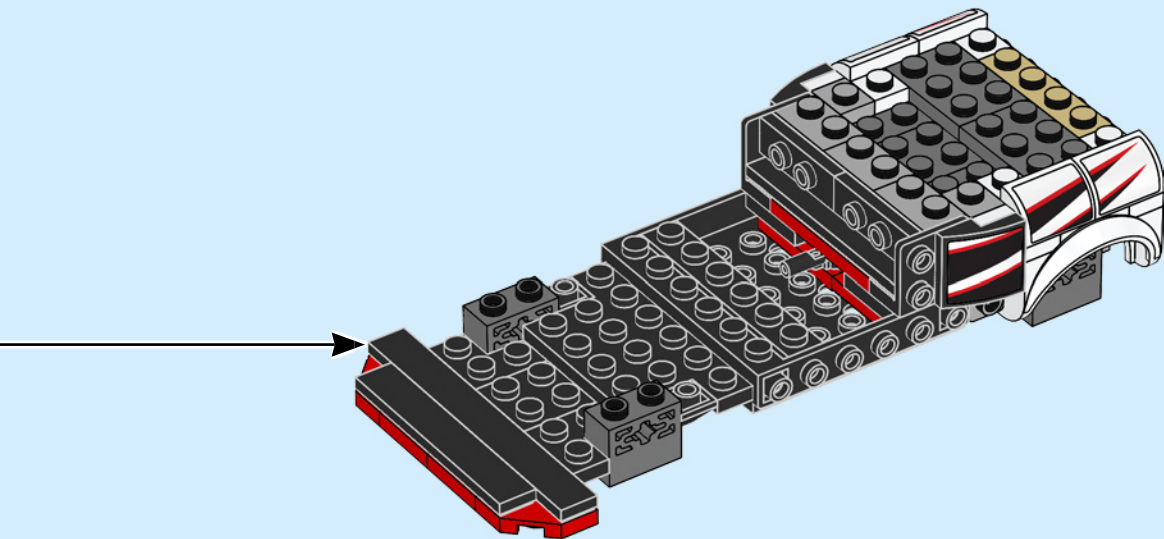


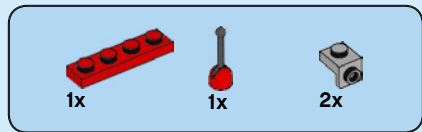
2x

30

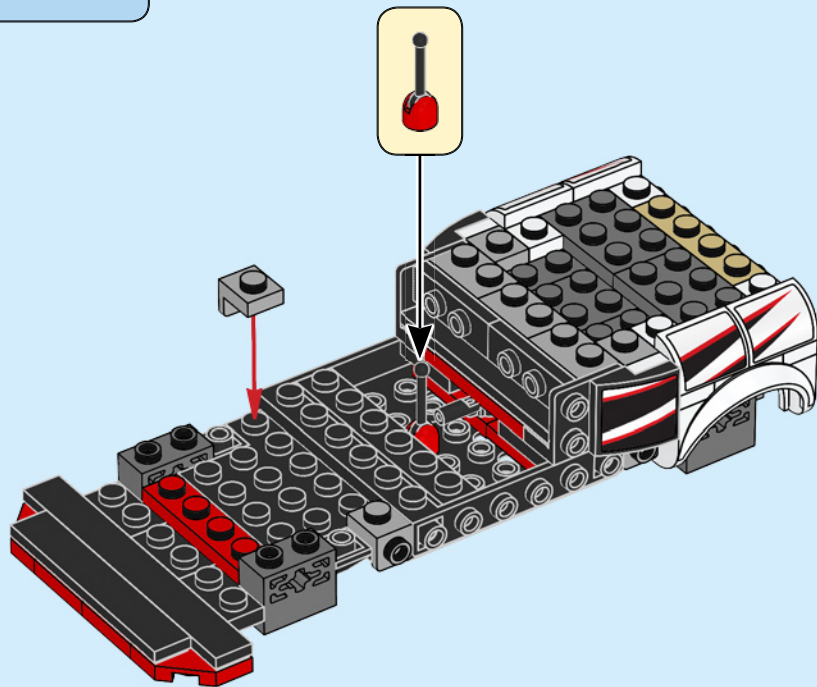


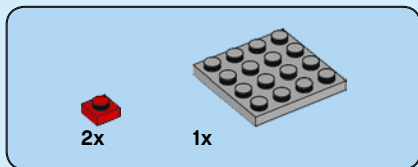
31



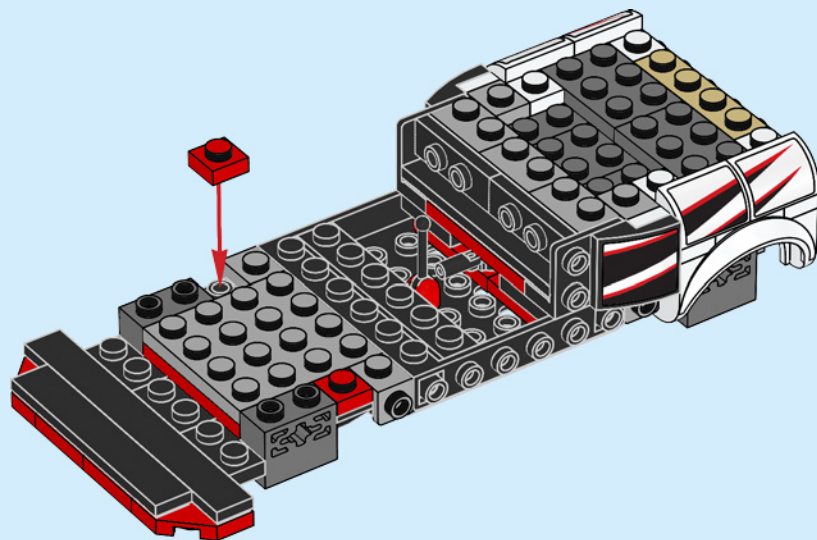


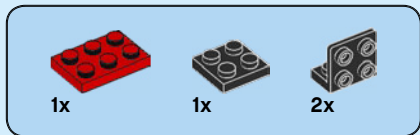
32



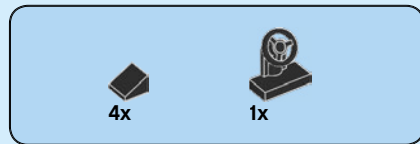
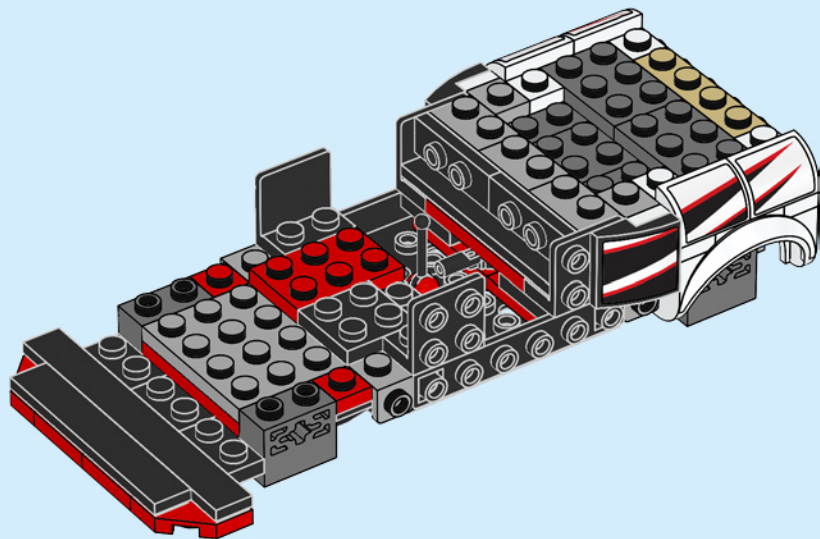


33

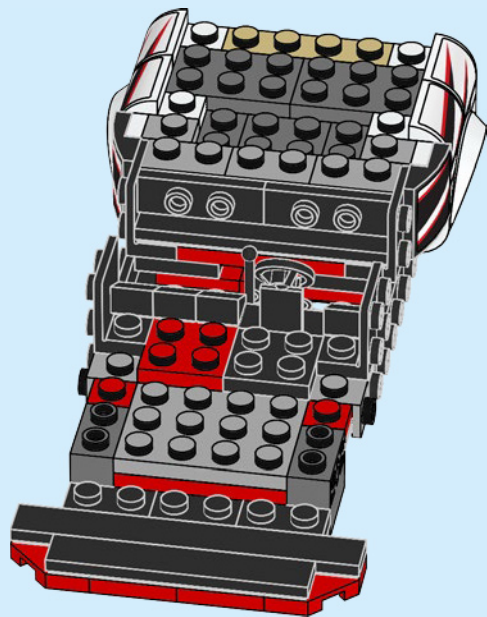


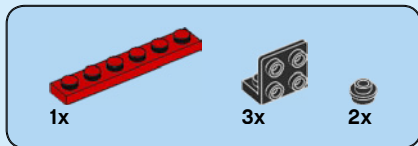


34

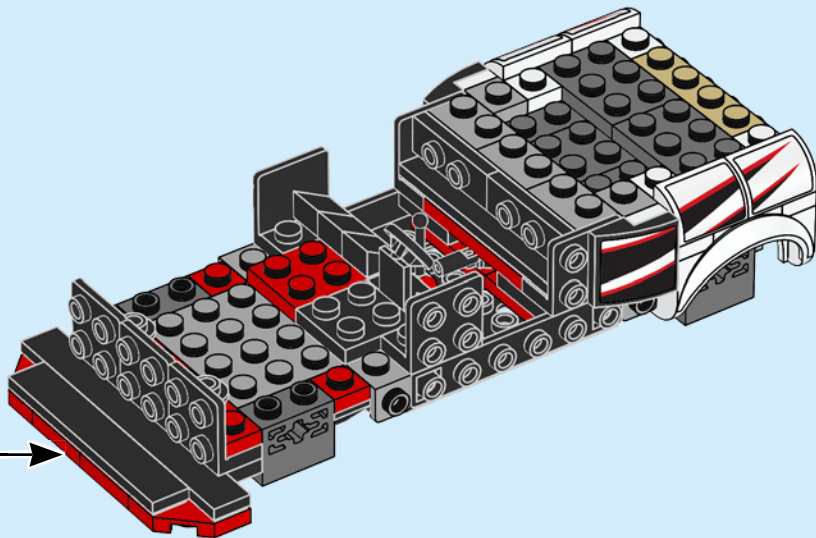
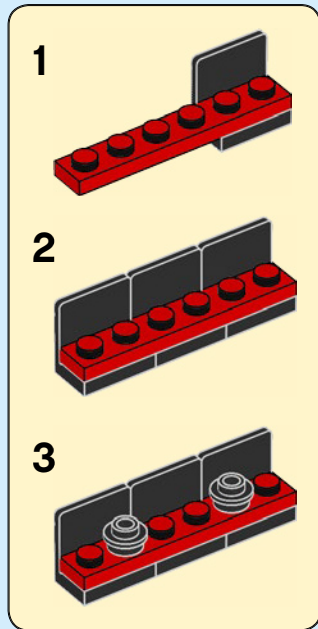


35





36



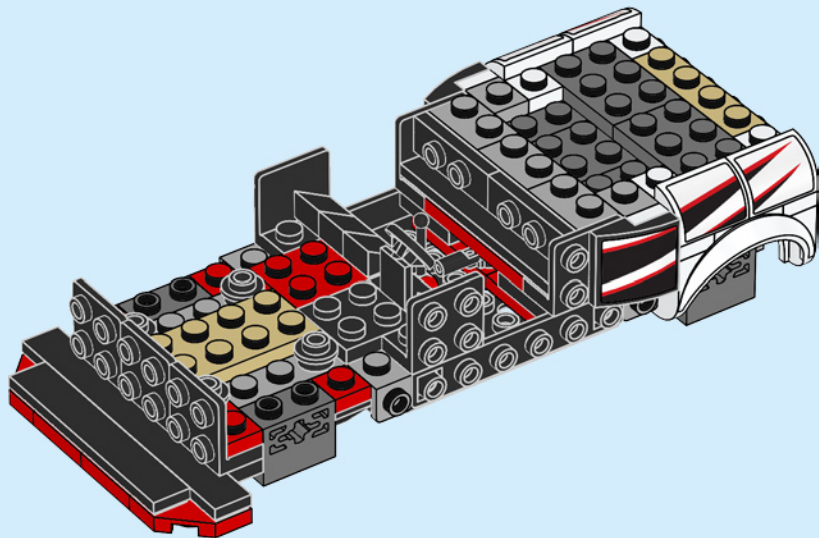


1x



2x

37



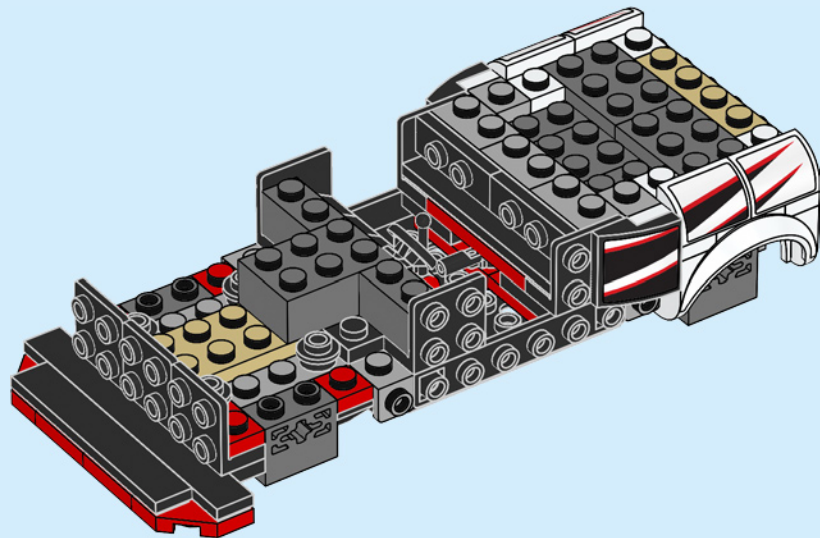


2x



1x

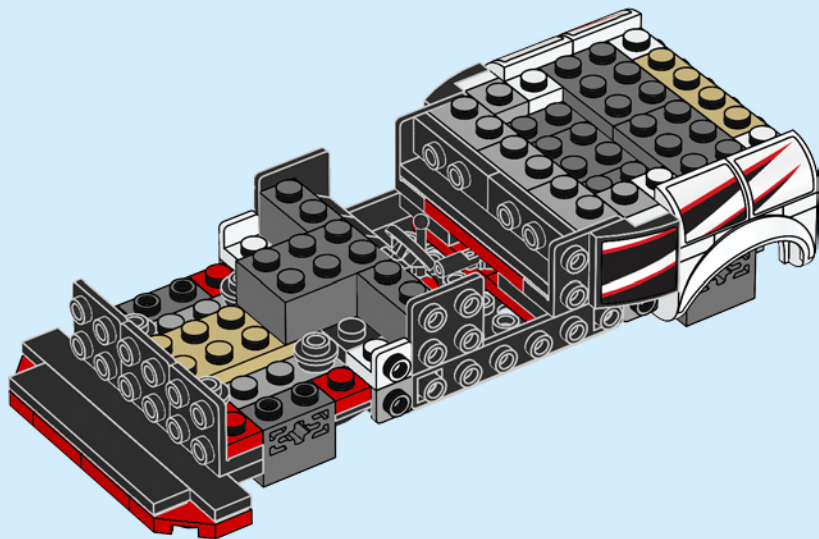
38





2x

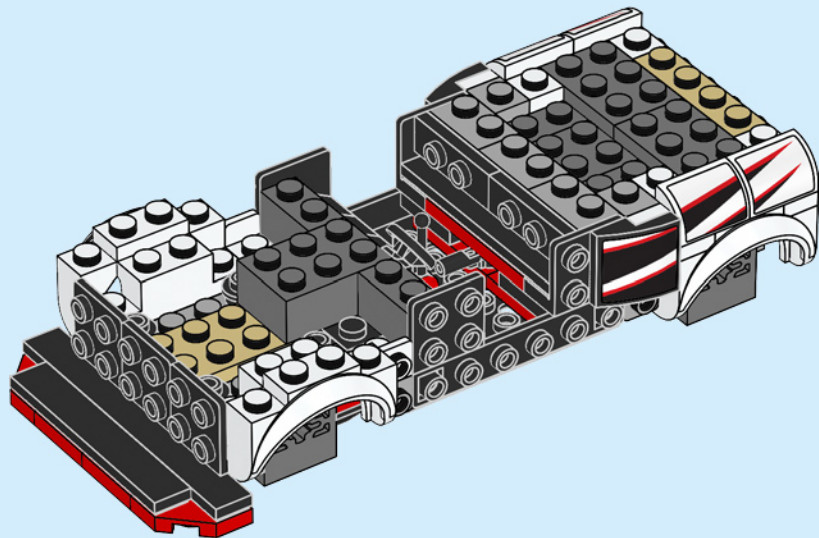
39





2x

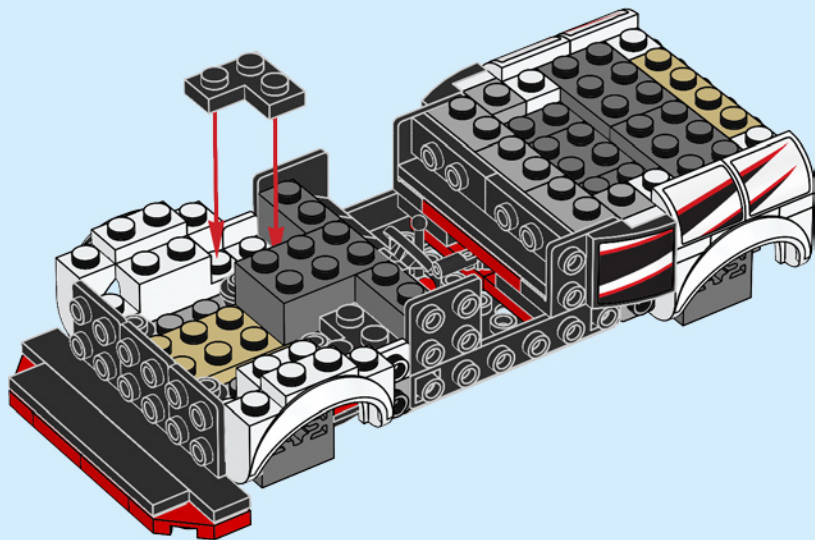
40





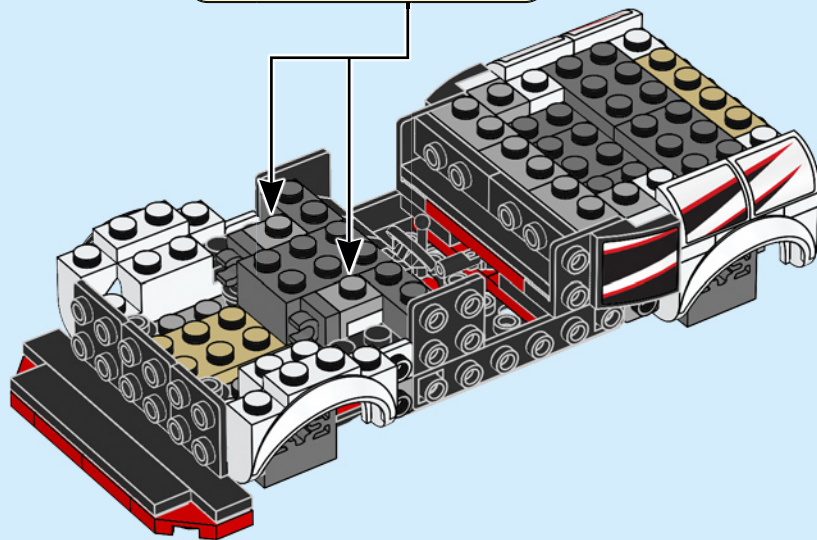
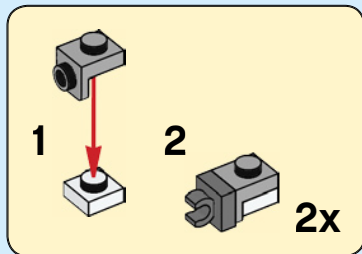
2x

41





42





2x

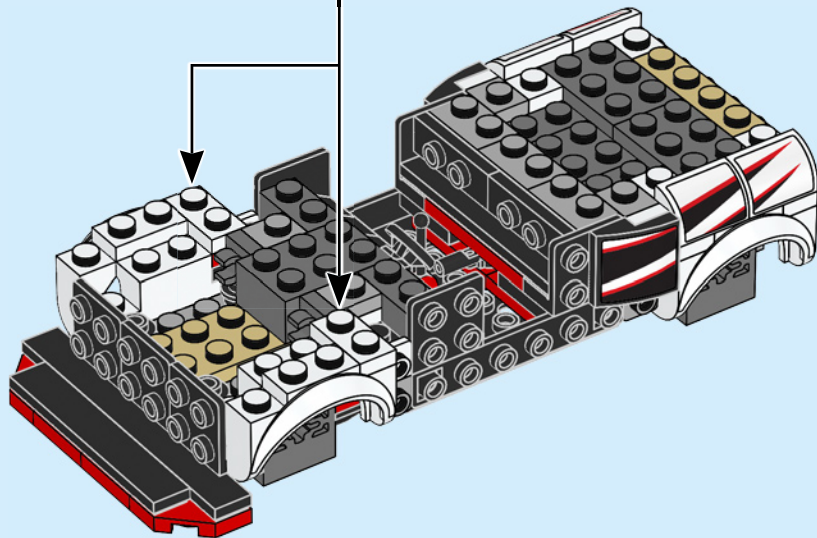


2x

43



2x

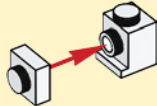




2x

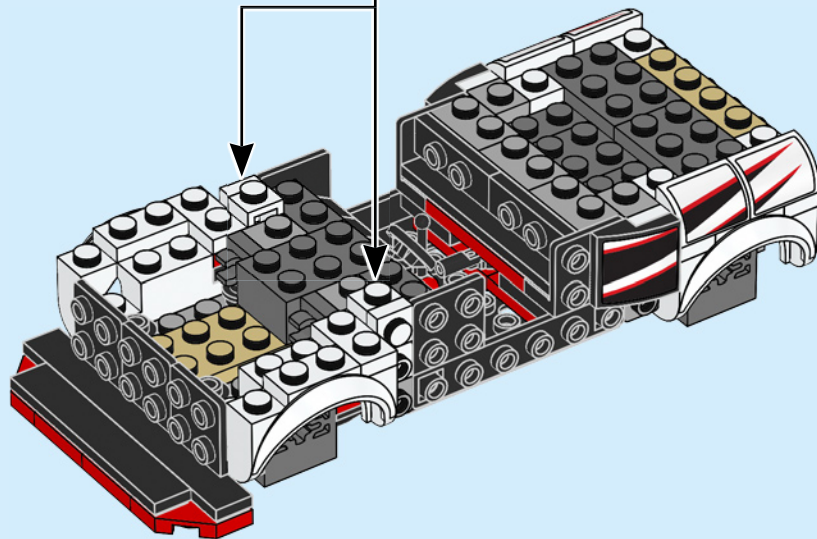


2x



2x

44



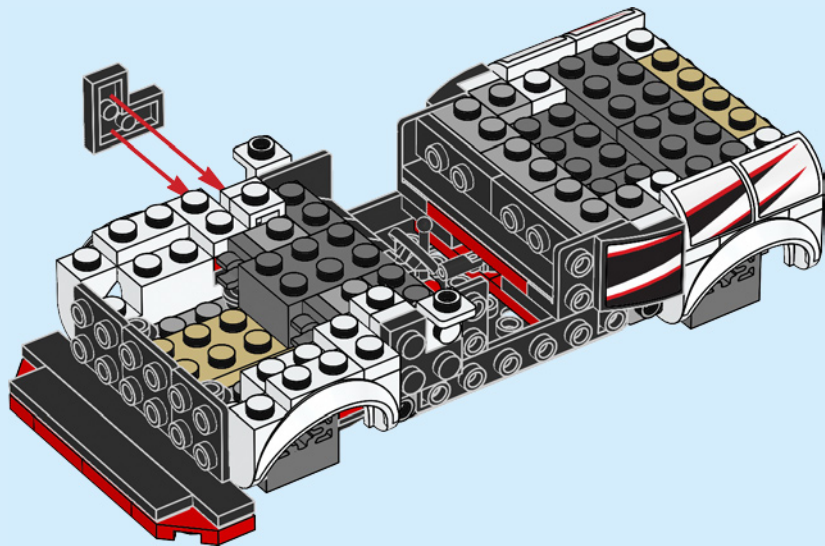


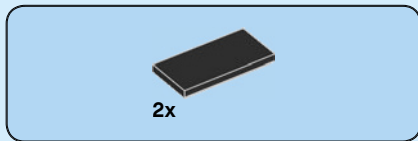
2x



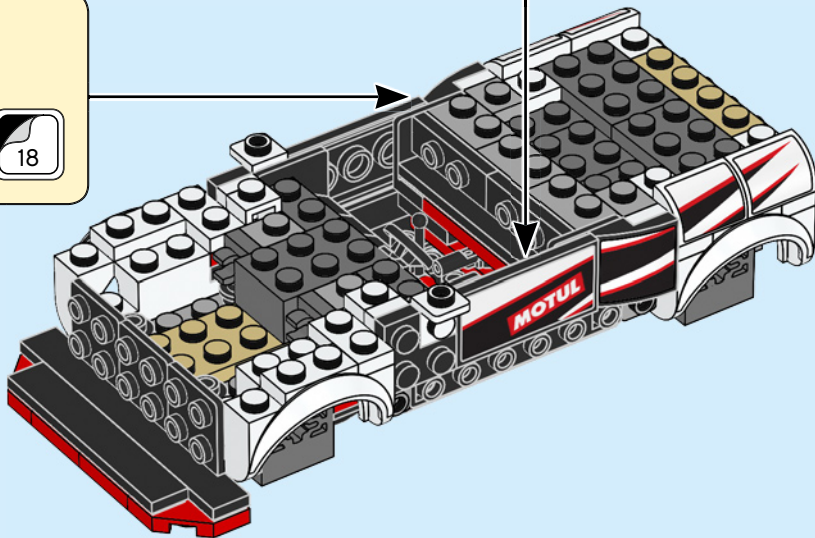
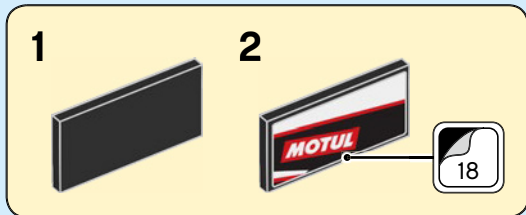
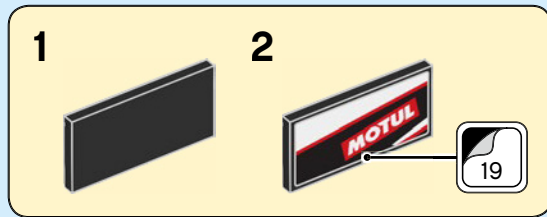
2x

45





46



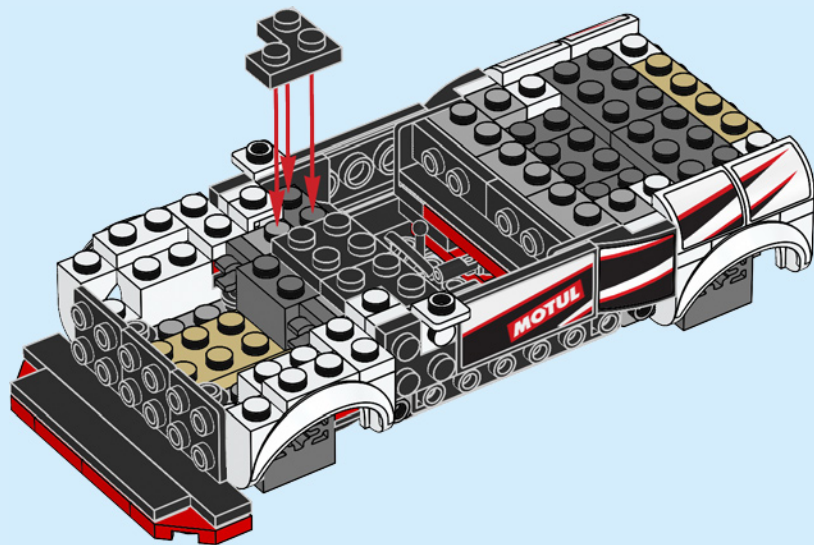


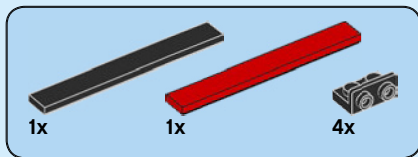
2x



1x

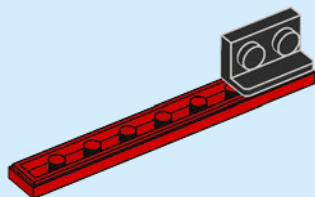
47



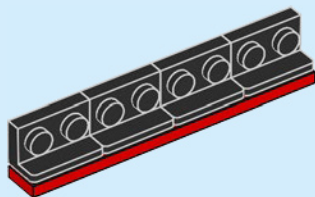


48

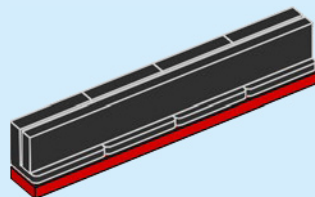
1



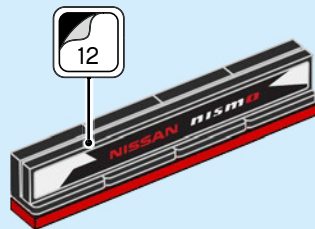
2

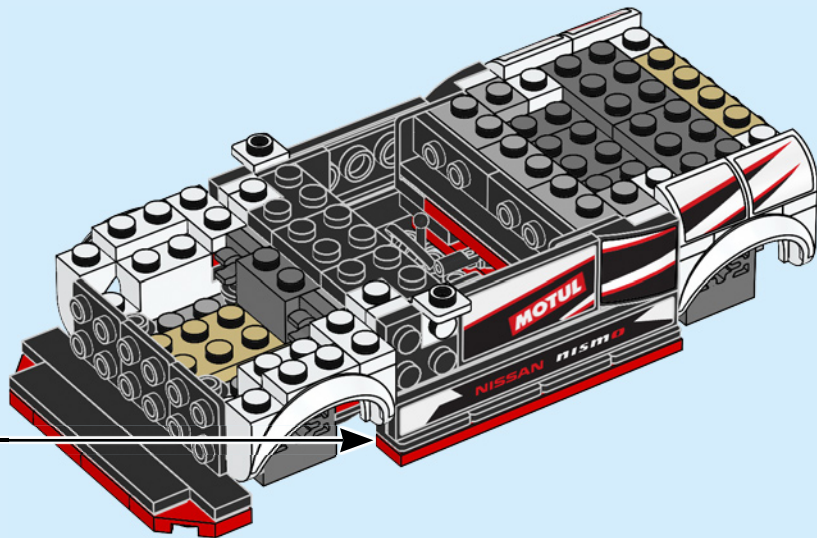


3



4







1x

49

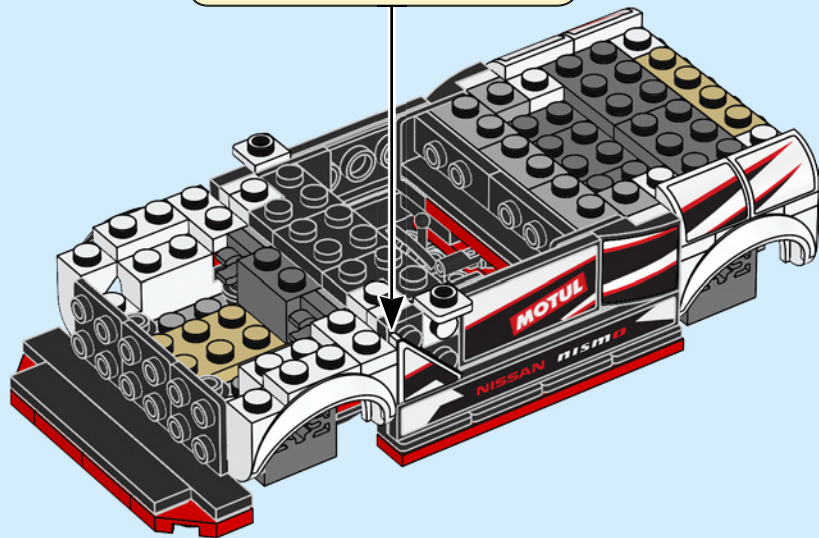
1

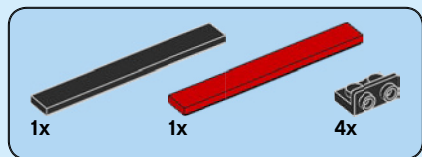


2



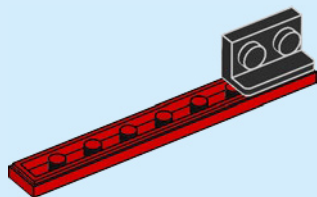
23



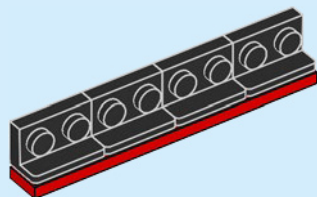


50

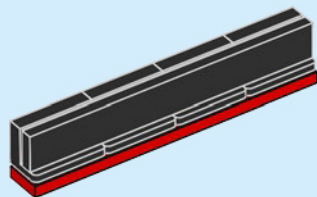
1



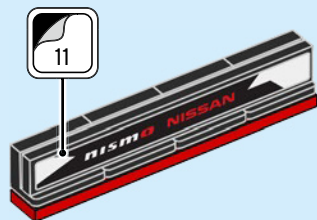
2

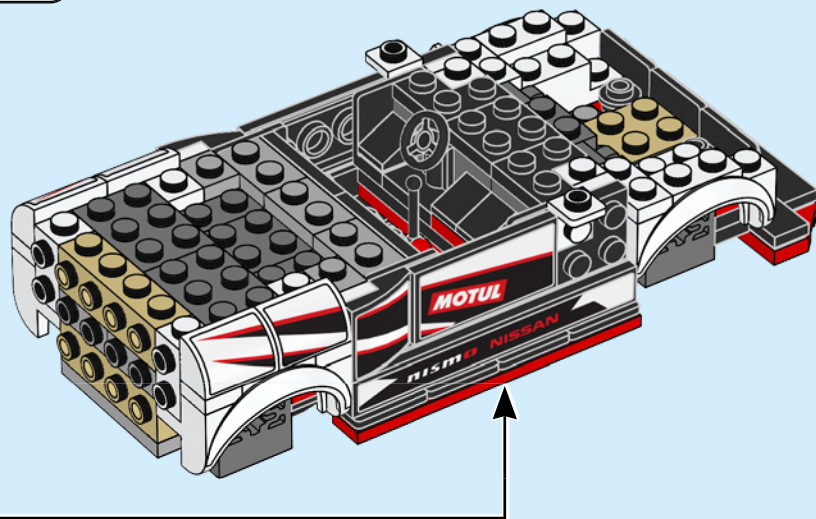


3



4







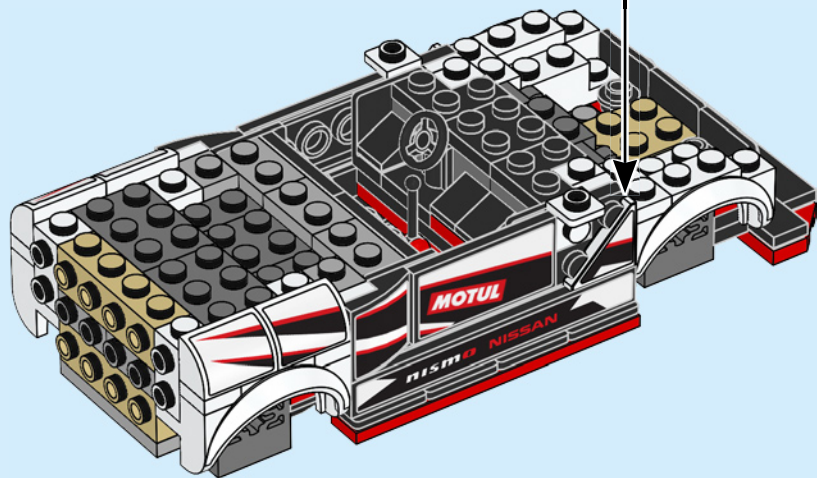
1x

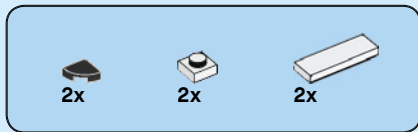
51

1

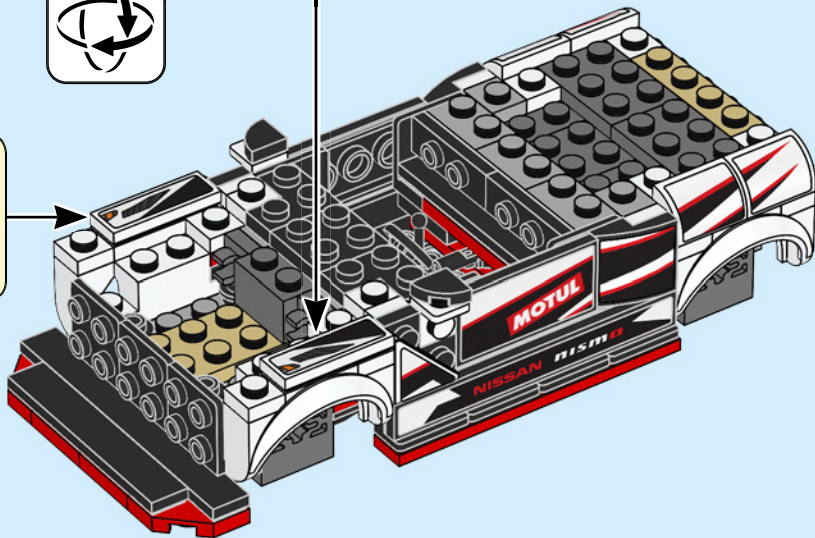
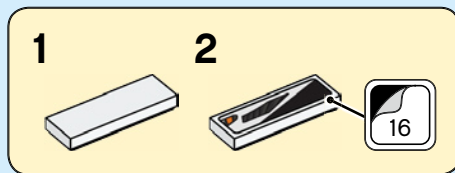
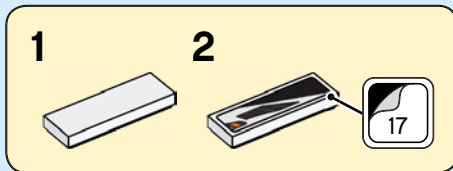


2



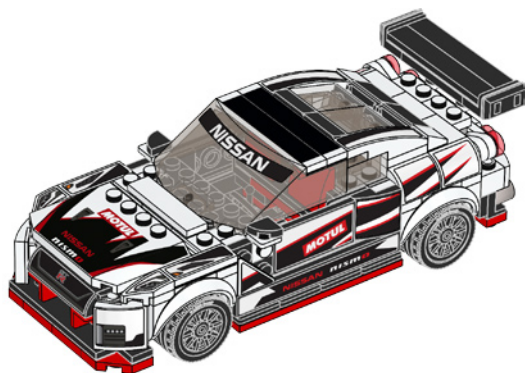
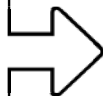
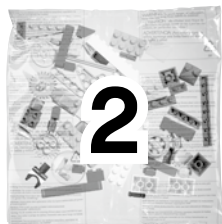


52





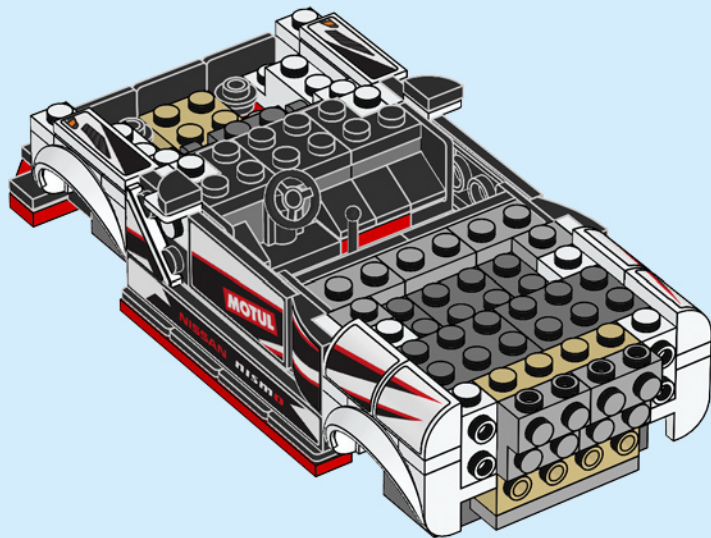
1x

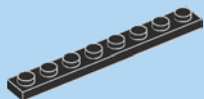
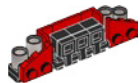




2x

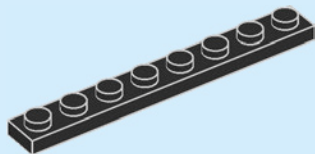
53





1x

54

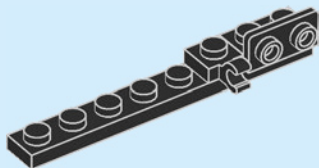


1x



1x

55

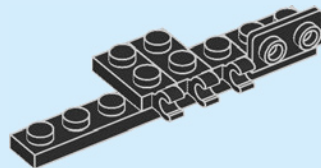


48



2x

56

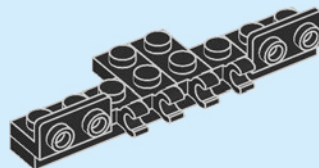


1x



1x

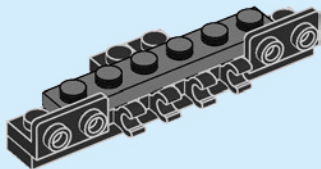
57





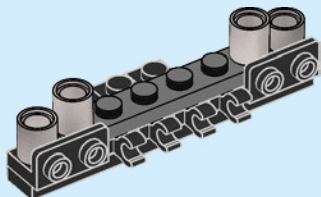
1x

58



4x

59

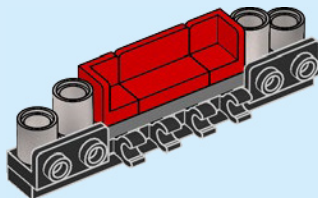


2x



1x

60



1x

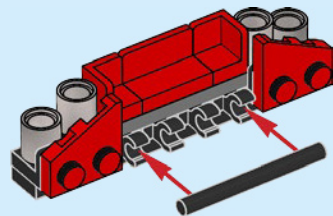


1x



1x

61



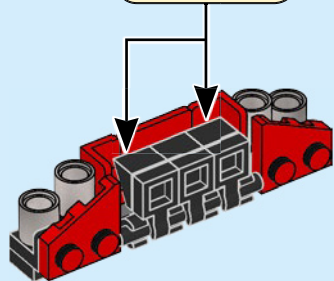
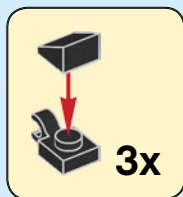


3x

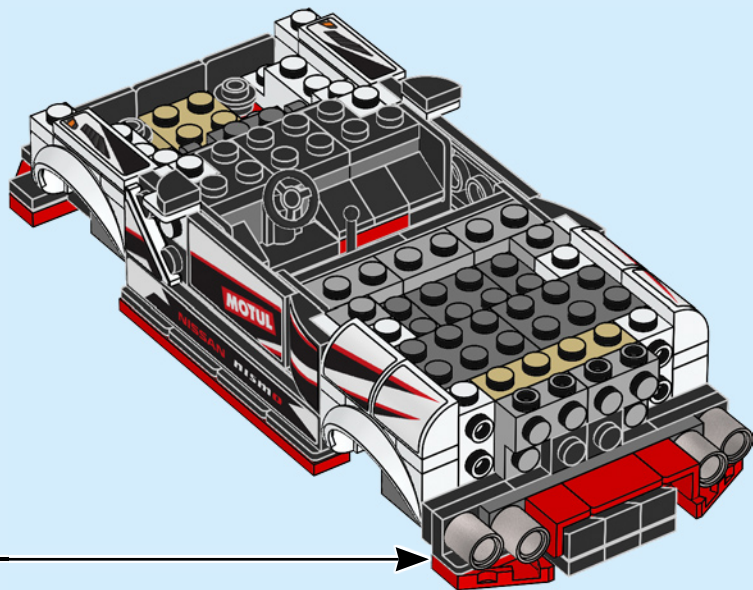


3x

62



63



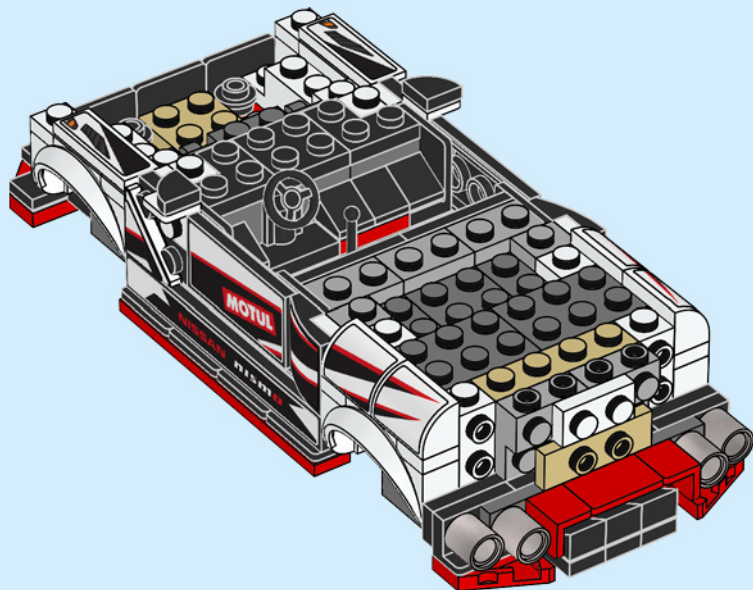


1x



1x

64



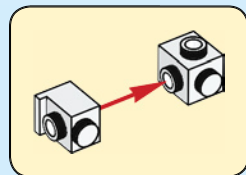
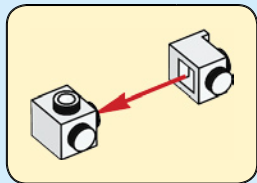
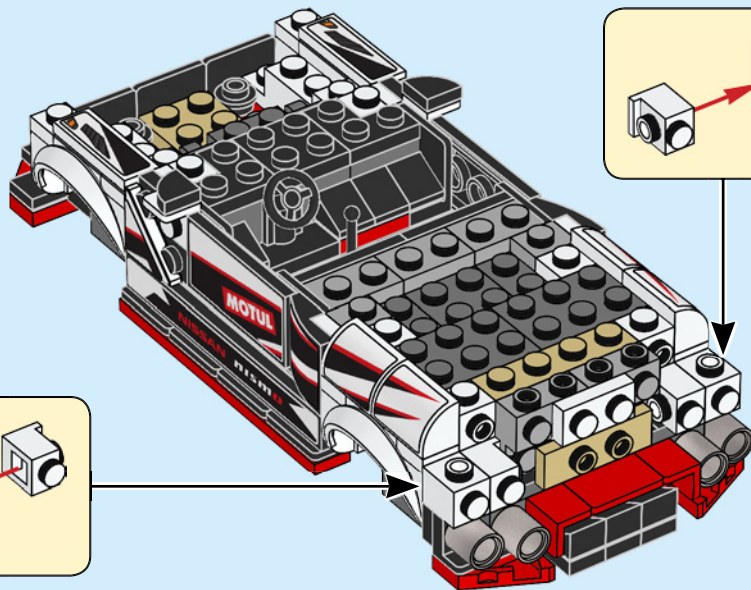


2x



2x

65



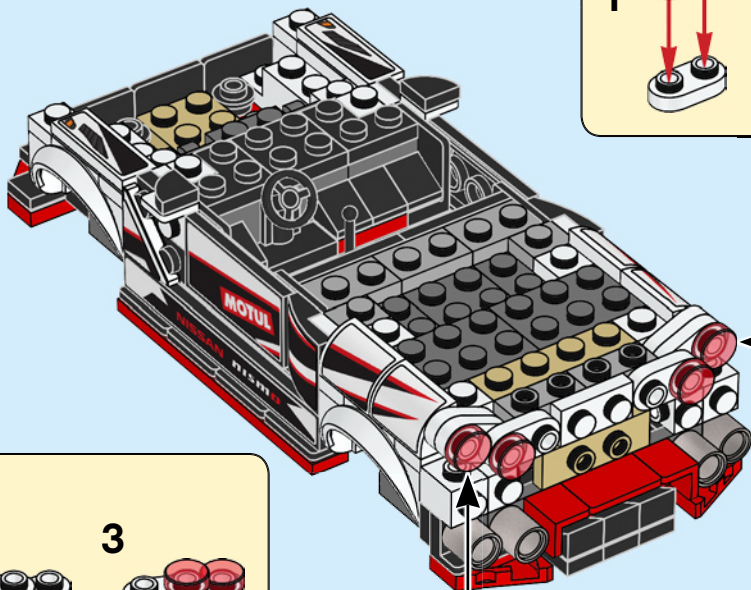


6x

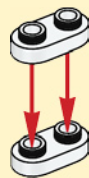


4x

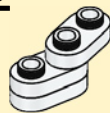
66



1



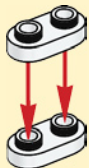
2



3



1



2



3



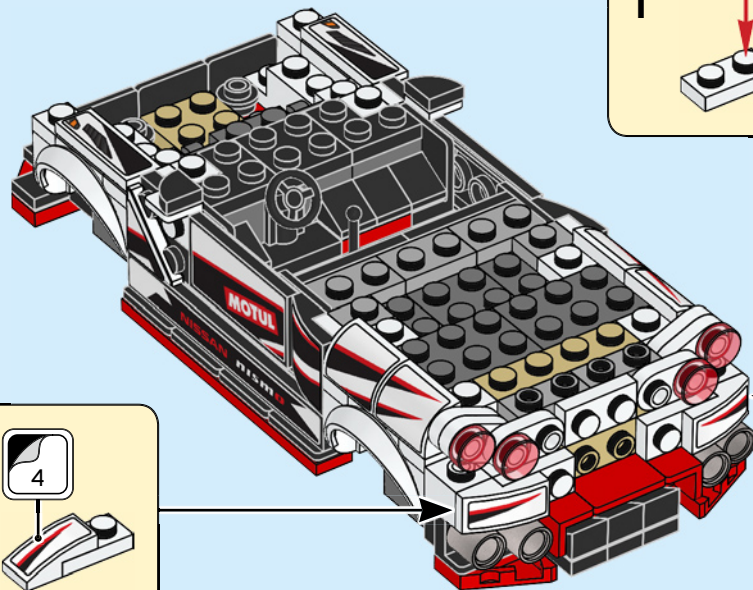


2x

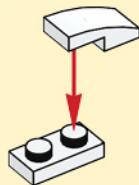


2x

67



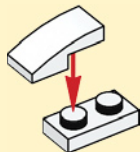
1



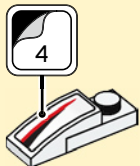
2



1



2





1x



2x

1

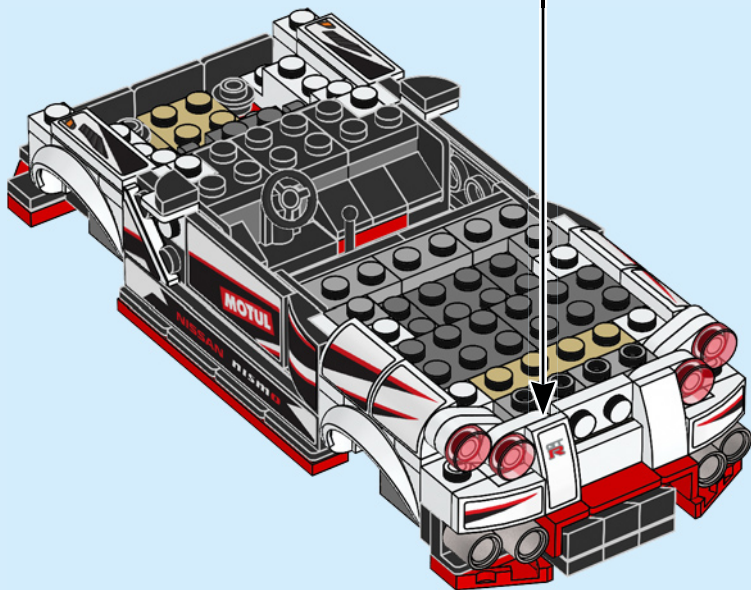


2



3

68





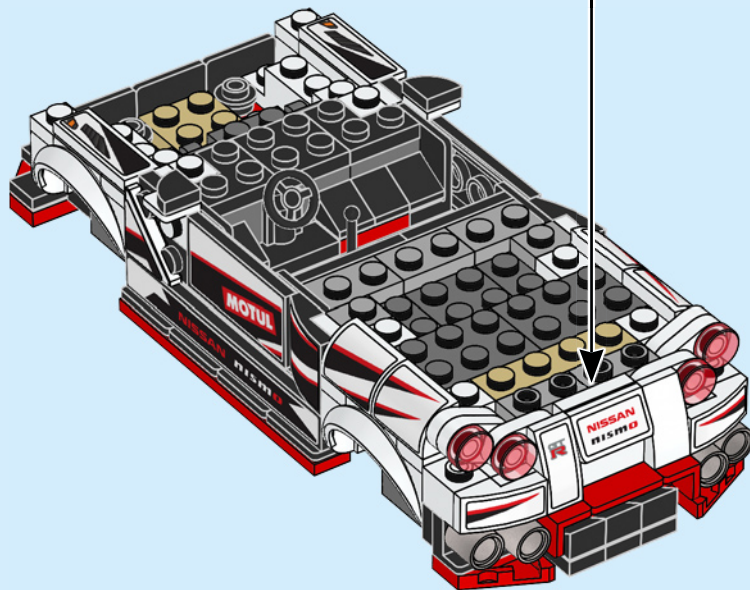
1x

69

1



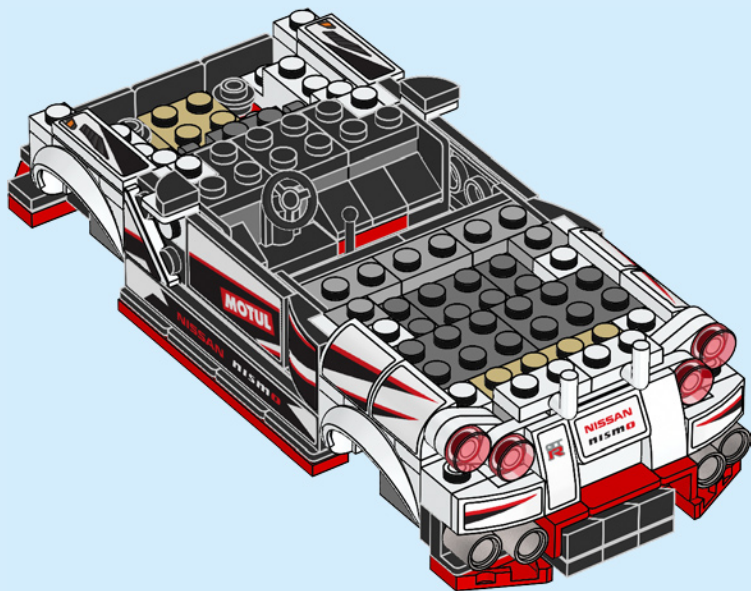
2





2x

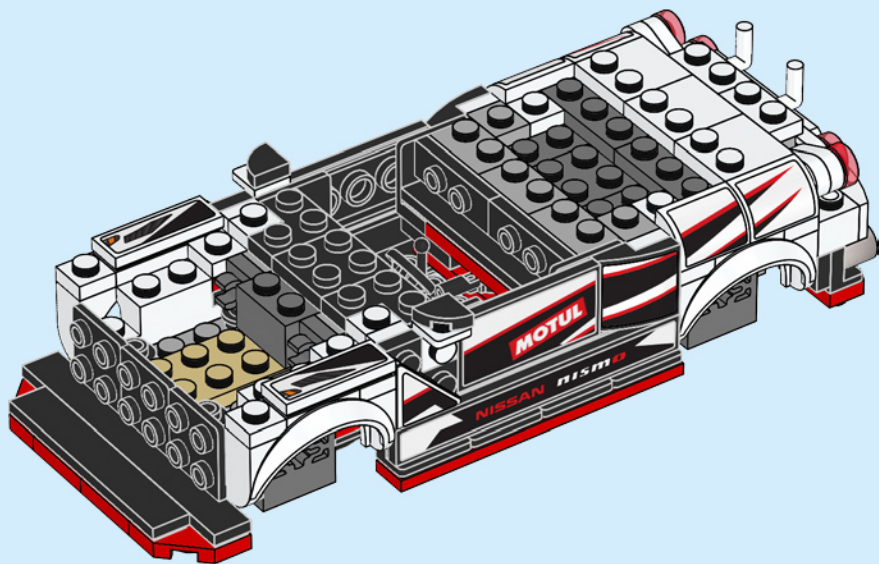
70

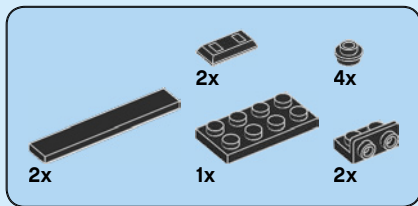




3x

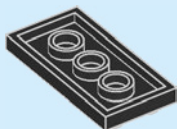
71



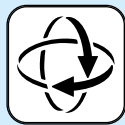
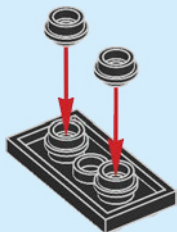


72

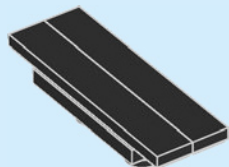
1



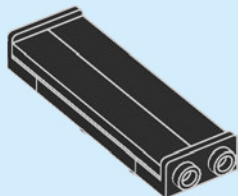
2



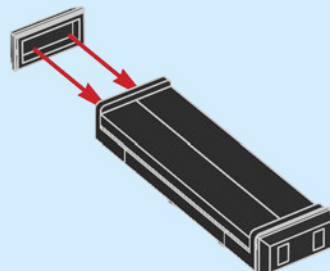
3

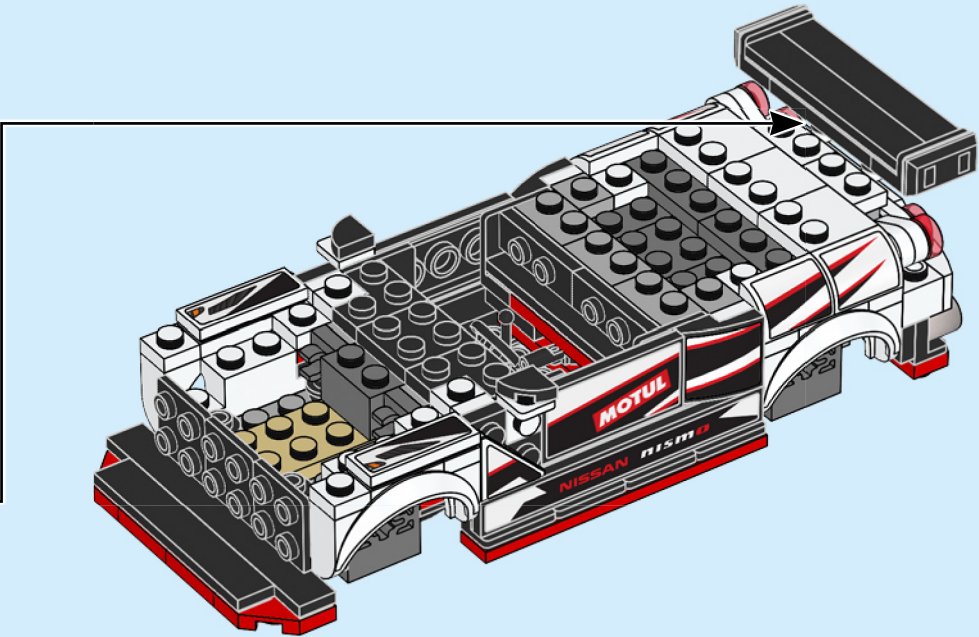


4



5







2x

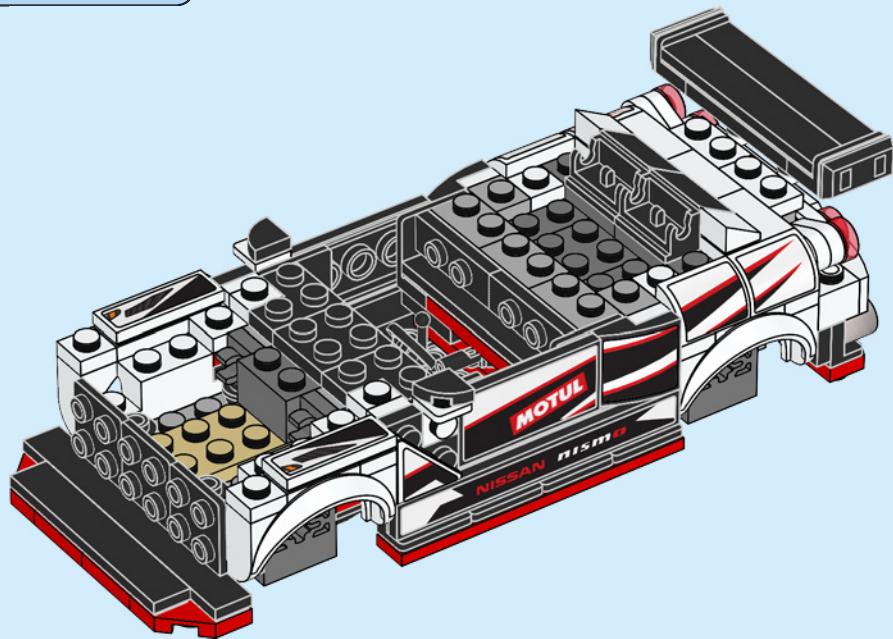


2x



2x

73





1x



2x



2x

74

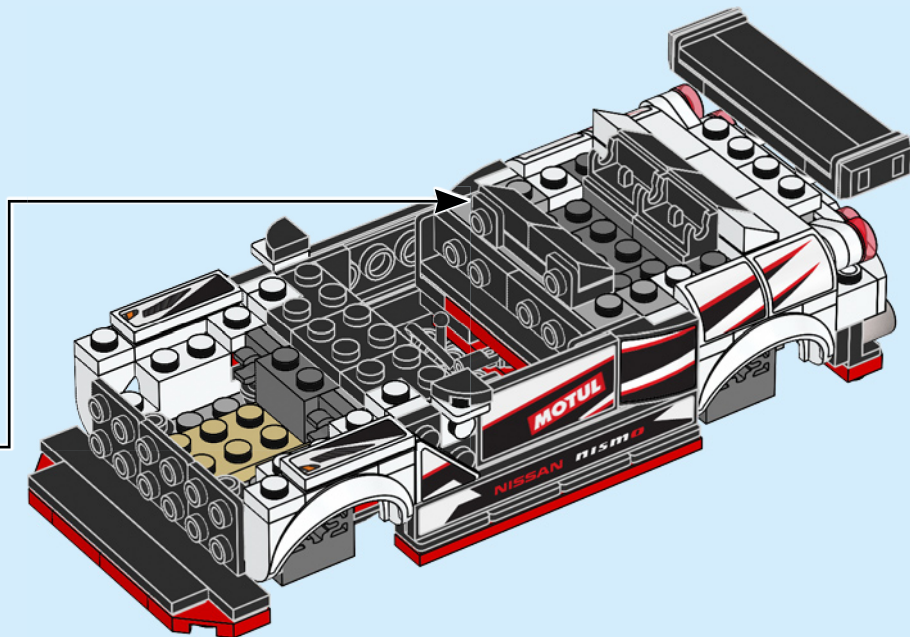
1



2



3





2x

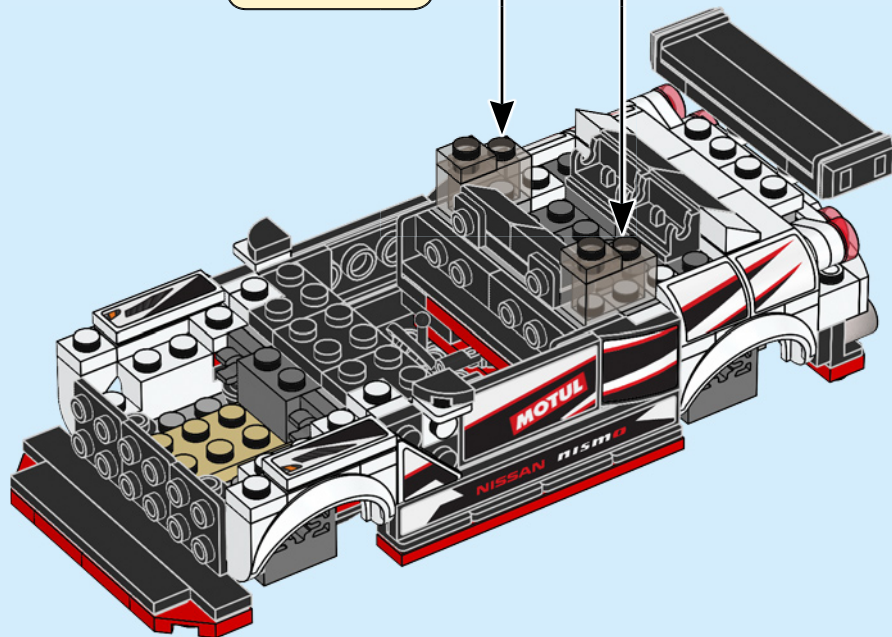


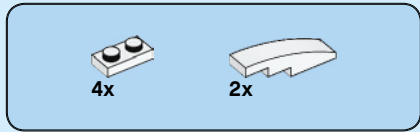
2x

75

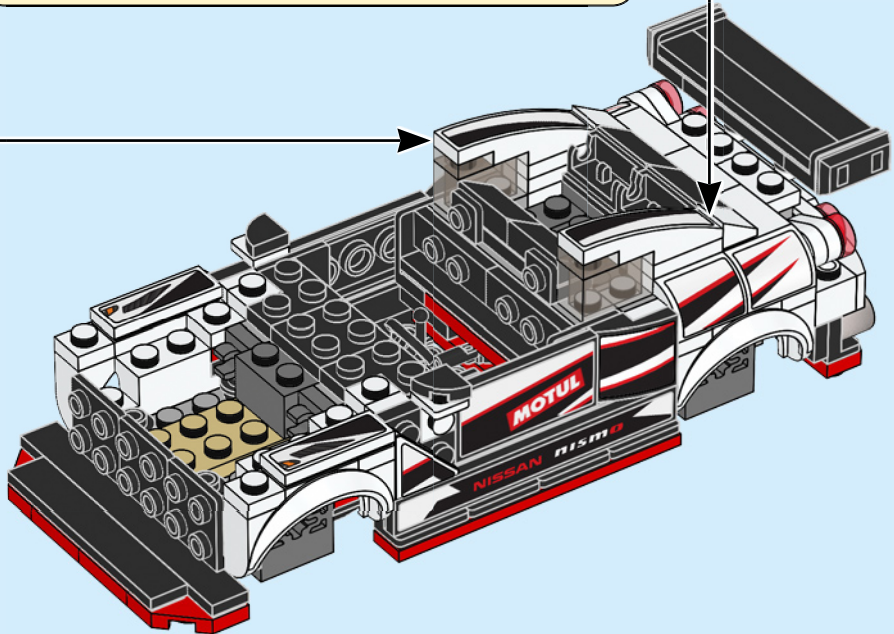
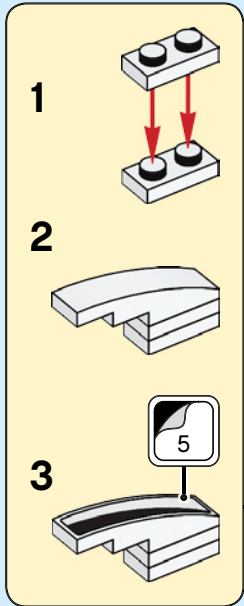
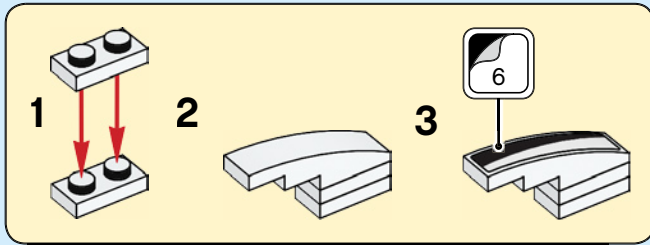


2x



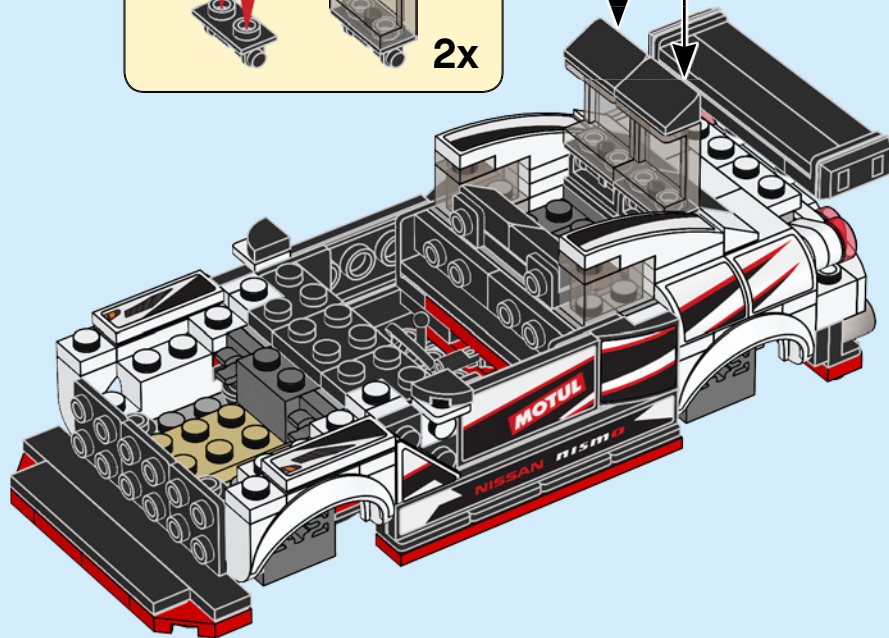
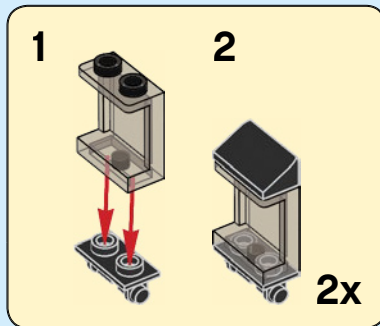


76





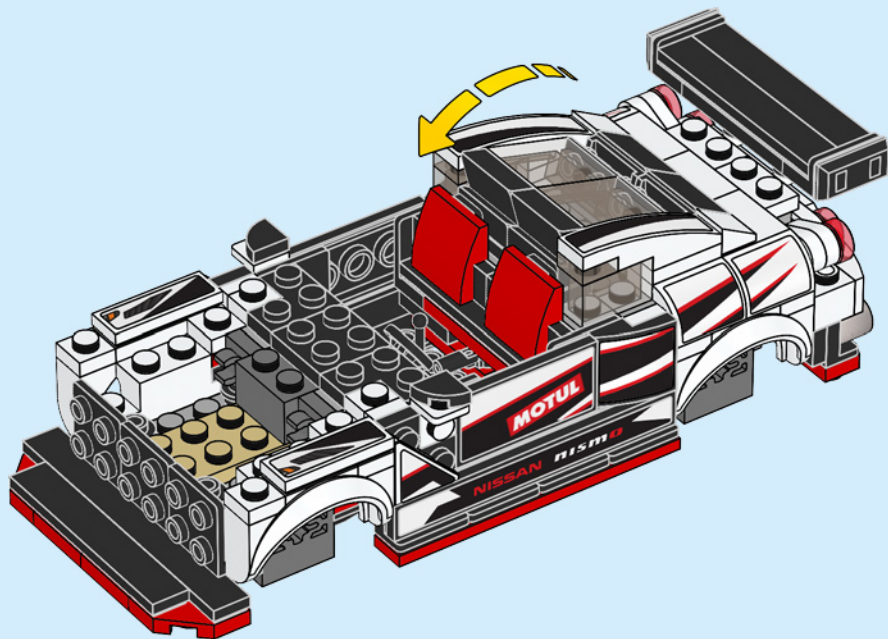
77

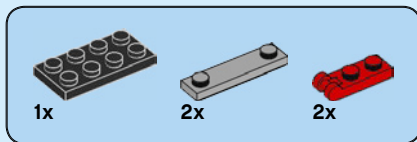




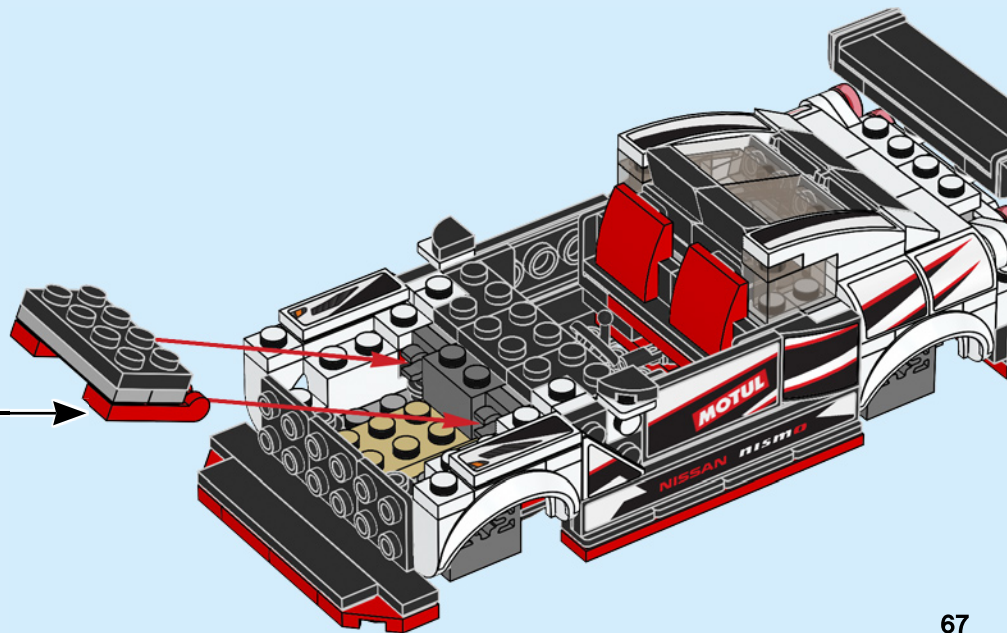
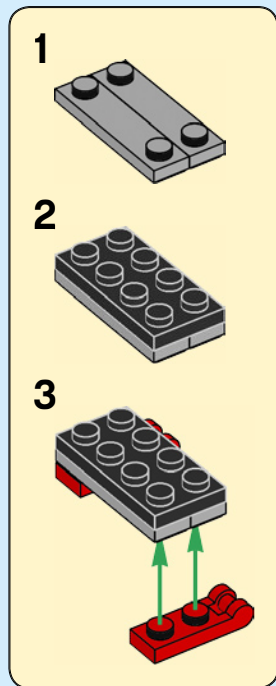
2x

78





79





1x



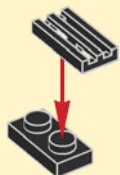
2x



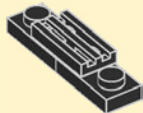
2x

80

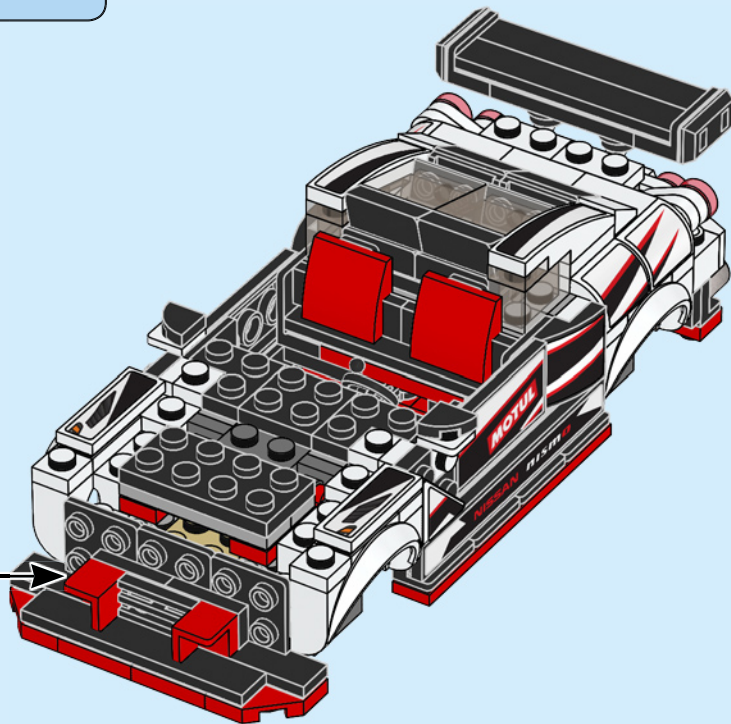
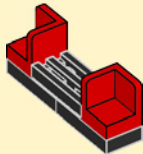
1



2

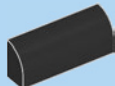


3





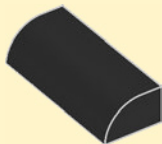
2x



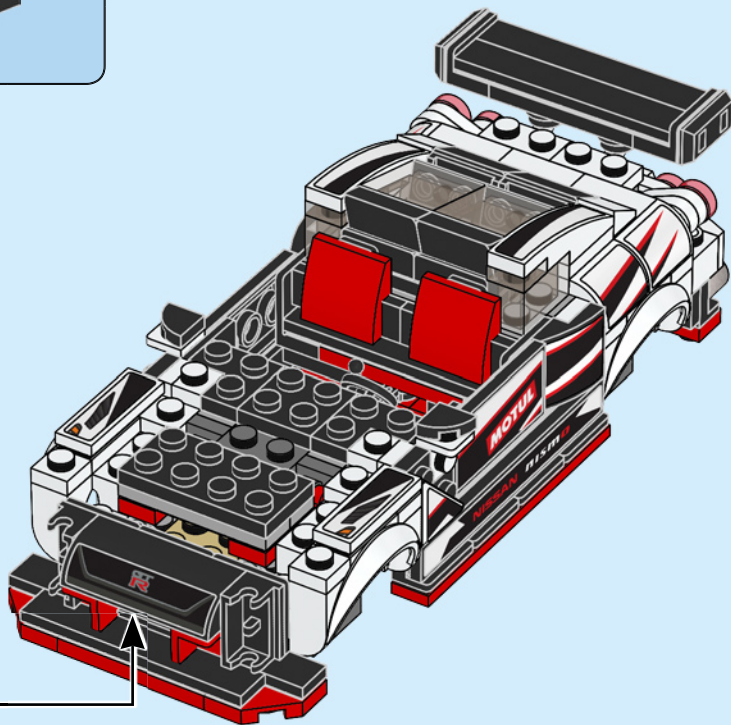
1x

81

1



2





1x



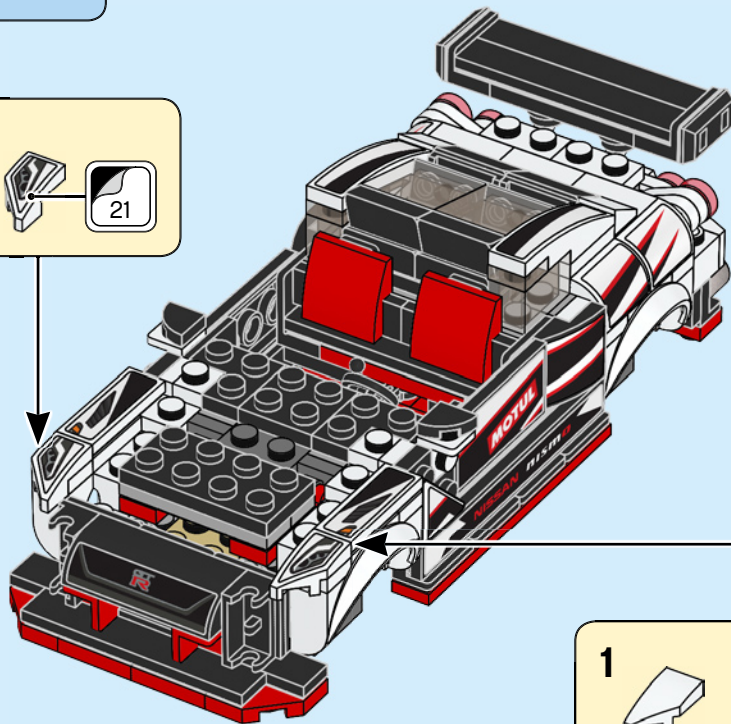
1x

82

1



2



1



2





2x



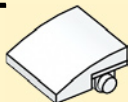
2x

83

1



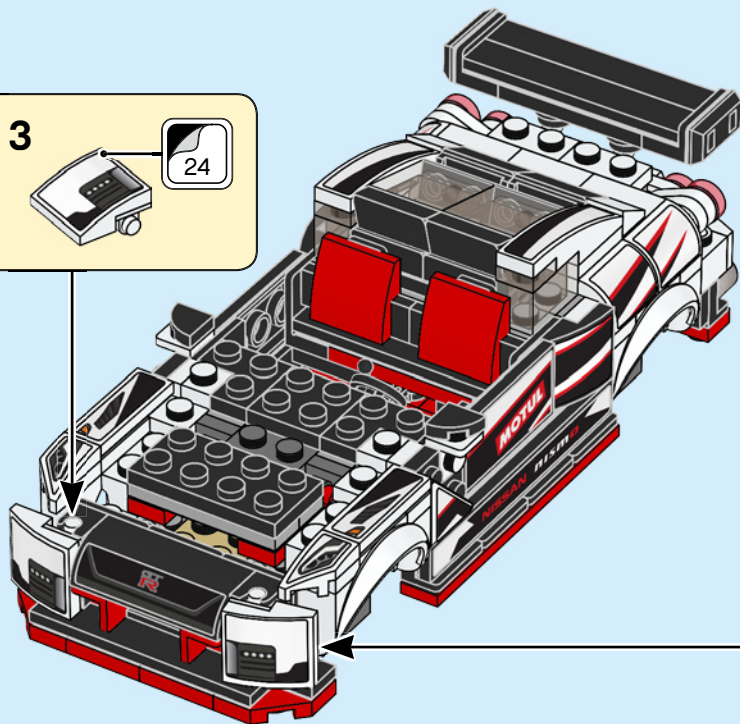
2



3



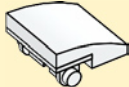
24



1



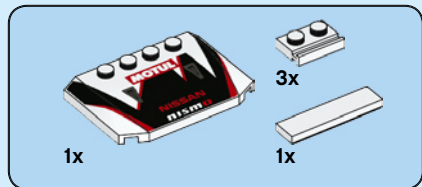
2



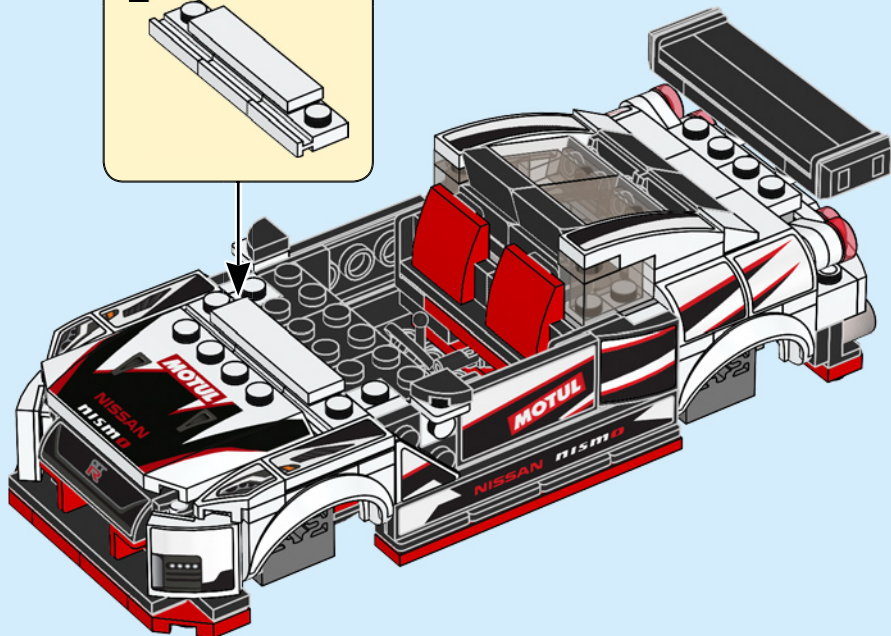
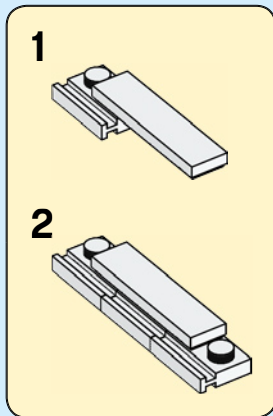
3

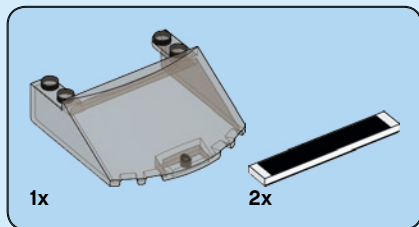
26



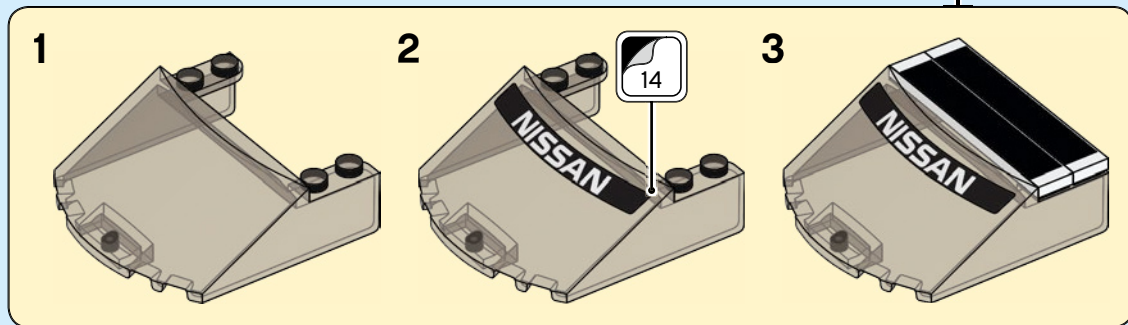
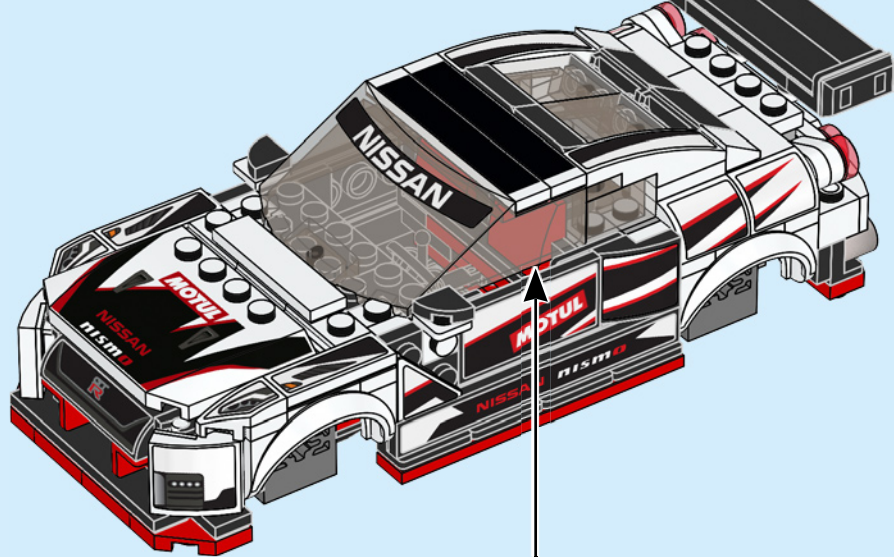


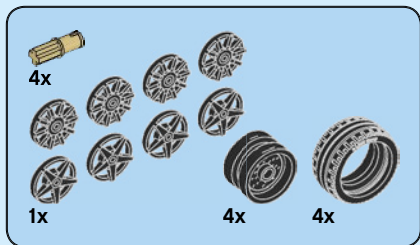
84





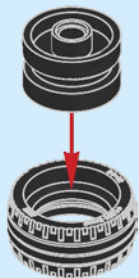
85





86

1



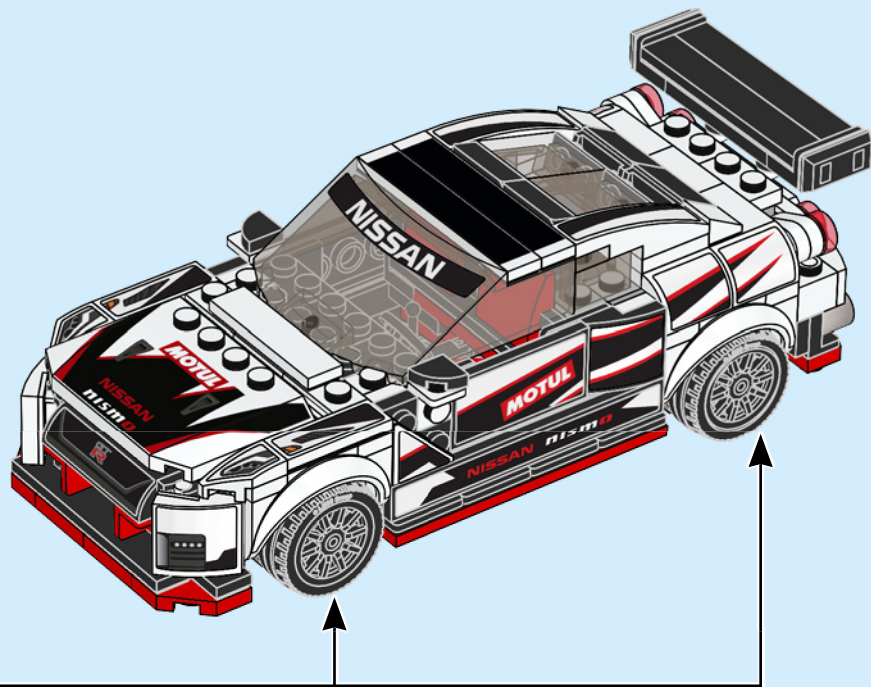
2



3



4x





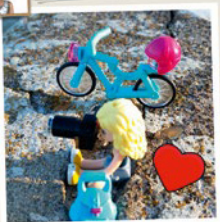
ManagerExcellentCrocodile



KingYummyCheeiah



PrincessBossyRooster



LEGO.com/apps





Produced under license of Ferrari S.p.A. The name FERRARI, the PRANCING HORSE device, all associated logos and distinctive designs are property of Ferrari S.p.A. The body designs of the Ferrari cars are protected as Ferrari S.p.A. property under design, trademark and trade dress regulations.

Nissan Motor Co., Ltd trademarks, designs, copyrights and/or other intellectual property rights are used under license.

The "Lamborghini" and "Lamborghini Bull and Shield" trademarks, copyrights, designs and models are used under license from Automobili Lamborghini S.p.A, Italy.

Manufactured under license from McLaren Automotive limited. The McLaren name and logo are registered trademarks of McLaren. Senna is the registered trademark of Ayrton Senna Empreendimentos Ltda.

Jaguar and the leaper device are trademarks owned and licensed by Jaguar Land Rover Limited.

Microsoft, Forza Horizon, and the Forza Motorsport Logo are trademarks of the Microsoft group of companies.

The MINI logo and the MINI wordmark are trademarks of BMW AG and are used under license. Austin and Morris are the trademarks of MG Motor UK Ltd, licensed by British Motor Heritage Ltd.

Under license of Porsche AG.

Officially Licensed by AUDI AG.

Drive in **FORZA** **HORIZON 4**

*Requires Xbox Forza Horizon 4 game and Forza Horizon 4 LEGO® Speed Champions expansion, both sold separately. Parent must have valid Microsoft Account



2x
6217875



12x
302401



2x
4504369



4x
407001



1x
6213880



2x
6218841



2x
6224811



6x
6242241



6x
6210272



1x
6213881



1x
4547489



1x
6294199



2x
393801



1x
306901



11x
302301



2x
6261349



4x
6248827



4x
6034044



3x
4249563



3x
6218822



2x
6047220



2x
4558168



1x
6292555



1x
243101



2x
6045936



4x
6293776



2x
6294195



1x
6292282



4x
4666579



1x
6211966



1x
4113916



2x
4201062



2x
4114309



9x
302421



4x
4190219



2x
371021



2x
366621



2x
416221



1x
74335



1x
4298617



1x
6141552



1x
6141553



1x
6146217



2x
6092565



2x
6173961



2x
6105976



2x
4515365



9x
302121



1x
6244787



4x
6258607



2x
6252039



1x
6283875



8x
6168646



2x
6172383



7x
4504382



2x
6234695



7x
6000650



2x
4535739



4x
6290263

5x
4517925

1x
6196548

6x
4548180

1x
241226

2x
393826

1x
73081

5x
302326

2x
6156991

4x
393726

12x
6020193

3x
302226

1x
6116604

1x
6019726

2x
4560182

2x
302026

1x
366626

4x
663626

2x
6064228

8x
242026

2x
6199908

1x
400626

4x
6102596

4x
6161155

2x
6244909

2x
6253217

1x
6287674

2x
6053077

1x
346026

3x
416226

1x
6253240

1x
6287679

1x
6162275

8x
6248078

3x
4654582

4x
4654577

2x
6257593

3x
4243797

2x
6071226

2x
4211088

6x
4211105

1x
4211056

2x
6287680



Customer Service
Kundenservice
Service Consommateurs
Servicio Al Consumidor
LEGO.com/service or dial



: 00800 5346 5555

: 1-800-422-5346

WIN

GO TO WWW.LEGO.COM/PRODUCTFEEDBACK AND
GIVE US YOUR SHORT **FEEDBACK** ABOUT THIS
LEGO® SET FOR A CHANCE TO WIN
A COOL LEGO PRIZE.

Terms & Conditions apply



LEGO.com/productfeedback

GEWINNE

Erzähle uns auf
www.LEGO.com/productfeedback

etwas über die Erfahrungen, die du mit
diesem LEGO® Set gemacht hast, und
sichere dir die Chance auf einen coolen
LEGO Preis!

Es gelten die Teilnahmebedingungen

GAGNE

Rends-toi sur
www.LEGO.com/productfeedback

et donne-nous quelques commentaires sur
ce produit LEGO® pour avoir une chance
de gagner un prix LEGO !

Voir Conditions Générales

GANAN

Visita
www.LEGO.com/productfeedback

y envíanos tu opinión acerca de este set
LEGO®. ¡Participarás en el sorteo de un
premio LEGO!

Términos y Condiciones aplicables

获取奖品

登录
www.LEGO.com/productfeedback

给出关于此乐高®套装的简短反馈，
就有机会获得炫酷乐高奖品

《条款及条件》适用

LEGO and the LEGO logo are trademarks of the LEGO Group. ©2020 The LEGO Group.

Nissan Motor Co., Ltd trademarks, designs, copyrights and/or other intellectual property rights are used under license.

6326418