

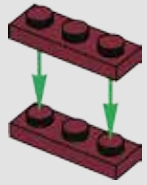


30522

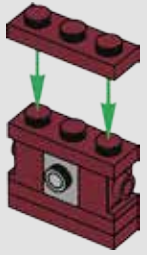
6187384

LEGO.com/BATMANMOVIE

1



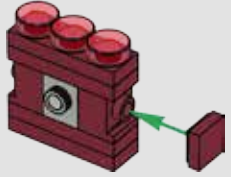
2



3



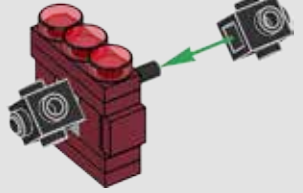
4



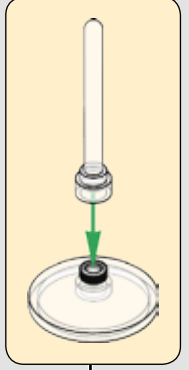
5



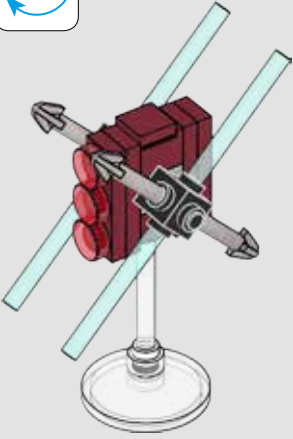
6



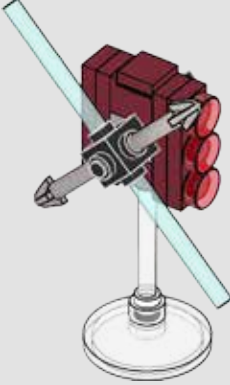
7

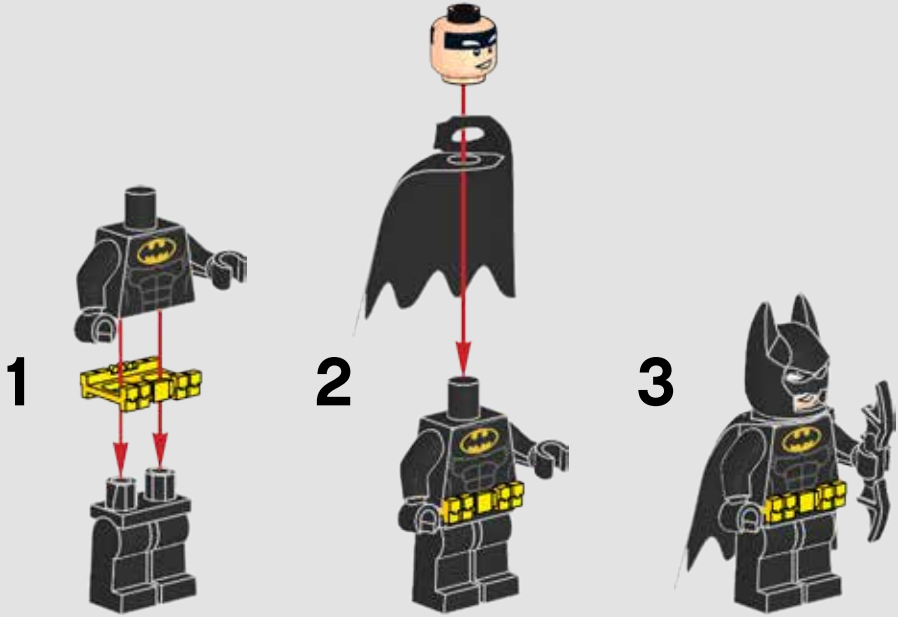
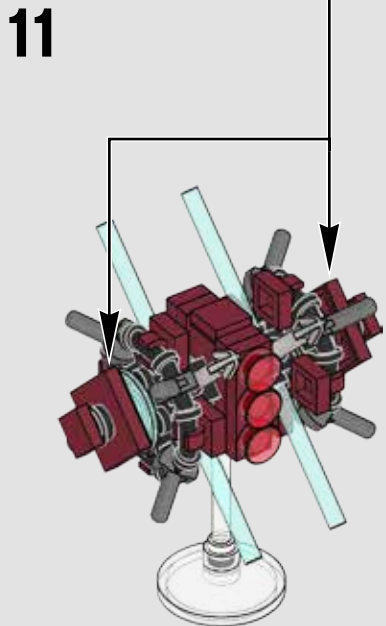
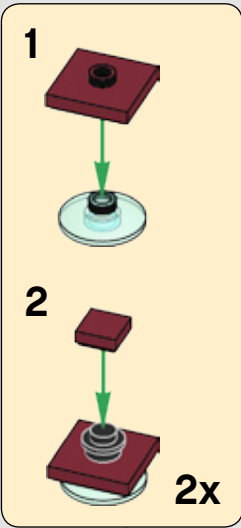
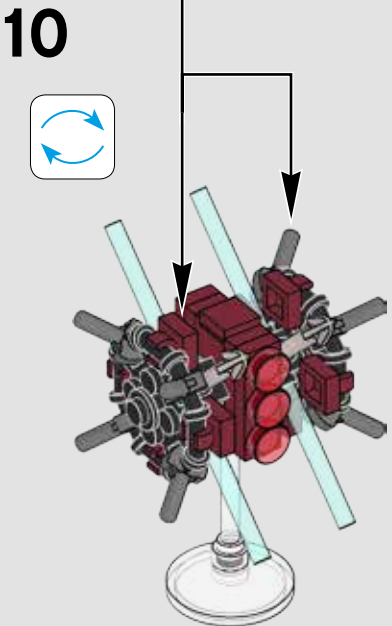
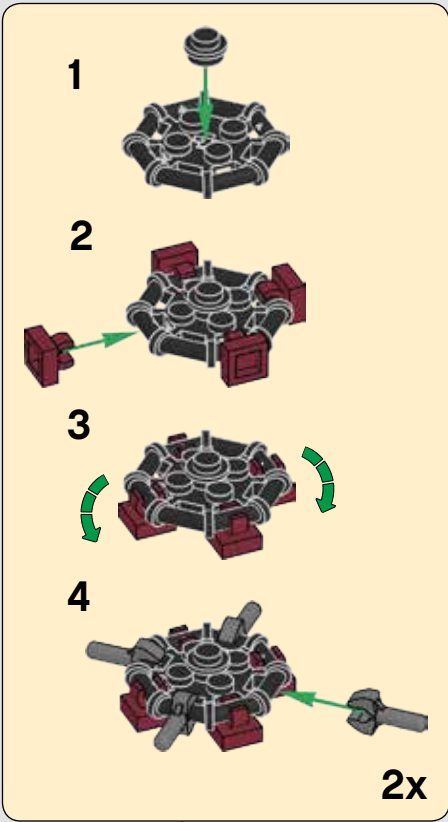


8



9





DC THE LEGO® BATMAN MOVIE © & ™ DC Comics, Warner Bros. Entertainment Inc., & The LEGO Group. LEGO, the LEGO logo, the Minifigure and the Brick and Knob configurations are trademarks and/or copyrights of the LEGO Group. ©2017 The LEGO Group. BATMAN and all related characters and elements © & ™ DC Comics. All Rights Reserved. (s17) 6187384

LEGO.com/service



THE LEGO® BATMAN MOVIE © & ™ DC Comics, Warner Bros. Entertainment Inc., & The LEGO Group. All Rights Reserved. (s17)

LEGO.com/BATMANMOVIE