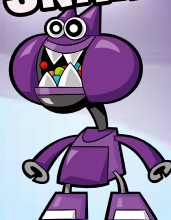




Mixels™

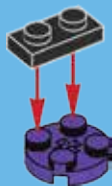
41551

SNAX

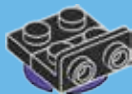


6126522

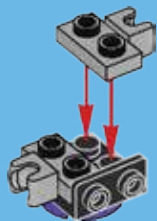
1



2



3

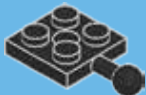


4





5



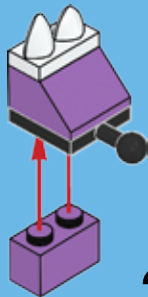
6



7

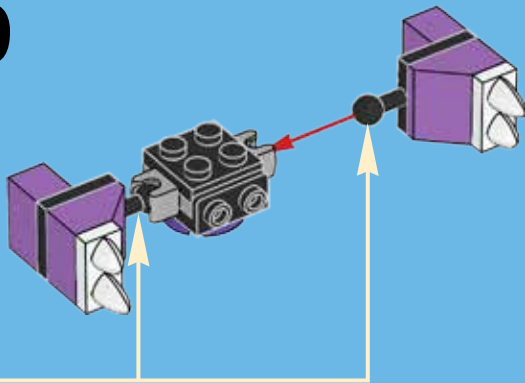


8

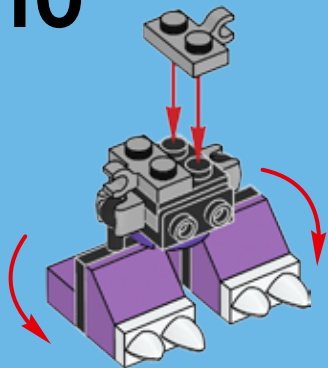


2x

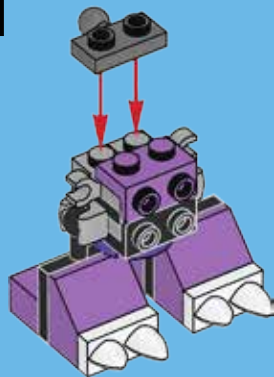
9



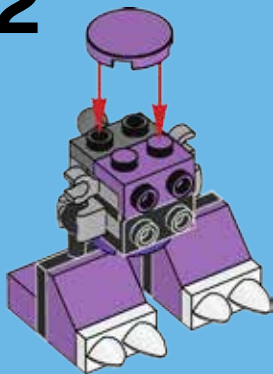
10



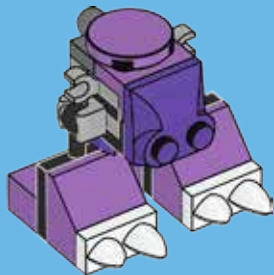
11



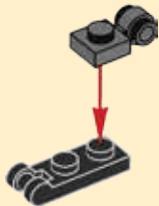
12



13



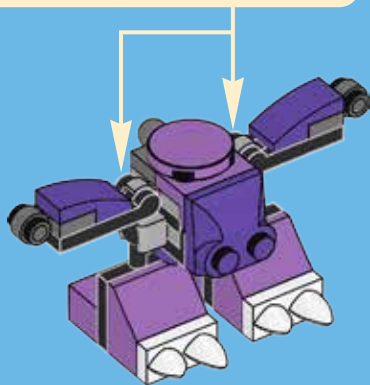
1



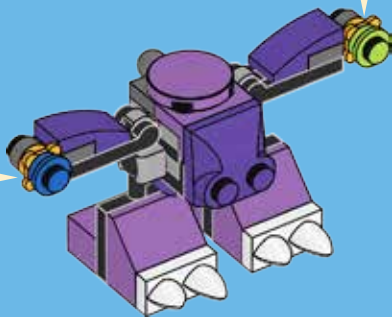
2



14

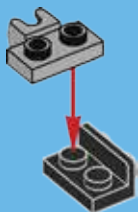


15





16



17



18



19



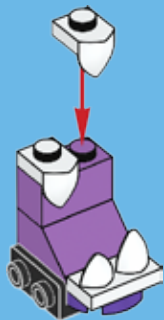
20



21



22



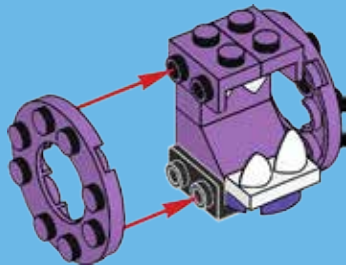
23



24



25



26



1



2



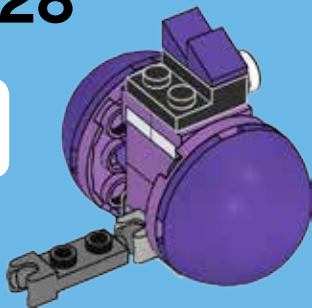
3



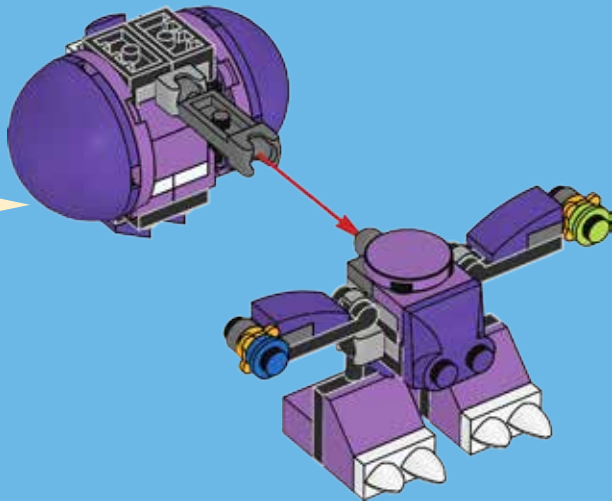
27



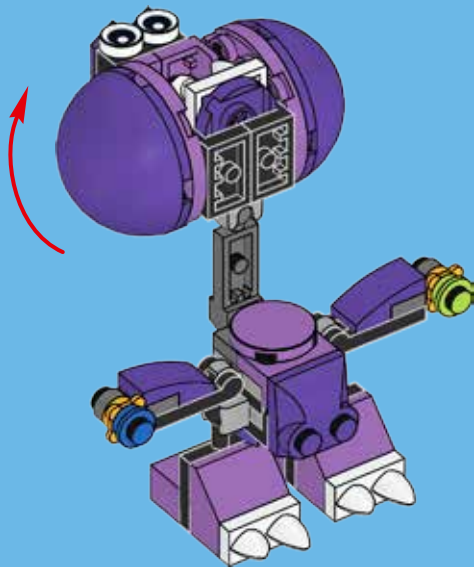
28



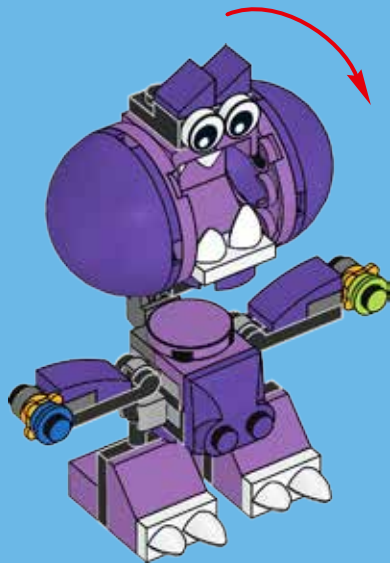
29



30



31





2x
4632574



1x
4183133



2x
6029156



3x
6109762



2x
4515368



2x
4567509



1x
6039479



2x
4624184



2x
6046905



1x
302326



2x
6057390



3x
6043656



3x
6046384



1x
6062386



1x
302226



2x
6030534



1x
6039482



2x
6028812



1x
614123



2x
6109764



3x
6020193



1x
6109766



Customer Service

Kundenservice

Service Consommateurs

Servicio Al Consumidor

LEGO.com/service or dial



00800 5346 5555 :



1-800-422-5346 :



3x
4623598



1x
6052126



2x
6109763



3x
6022023



2x
6051038



SNAX
41551



MUNCHOS
MAX!



BERP
41552



VAKA-WAKA
41553



LEGO.com/mixels





Mixels™

SERIES
6



41545
KRAMM



41546
FORX



41547
WUZZO



41548
DRIBBAL



41549
GURGGLE



41550
SLUSHO



41551
SNAX



41552
BERP



41553
VAKA-WAKA



LEGO.com/mixels



Mixels RUSH



**YOU CAN
BUY THE
GAME!**

M R M O 7 T H F U 1

IN GAME CODE!



Apple, the Apple logo, iPad, iPhone and iPod touch are trademarks of Apple Inc., registered in the U.S. and other countries. App Store is a service mark of Apple Inc. Google Play is a trademark of Google Inc.